

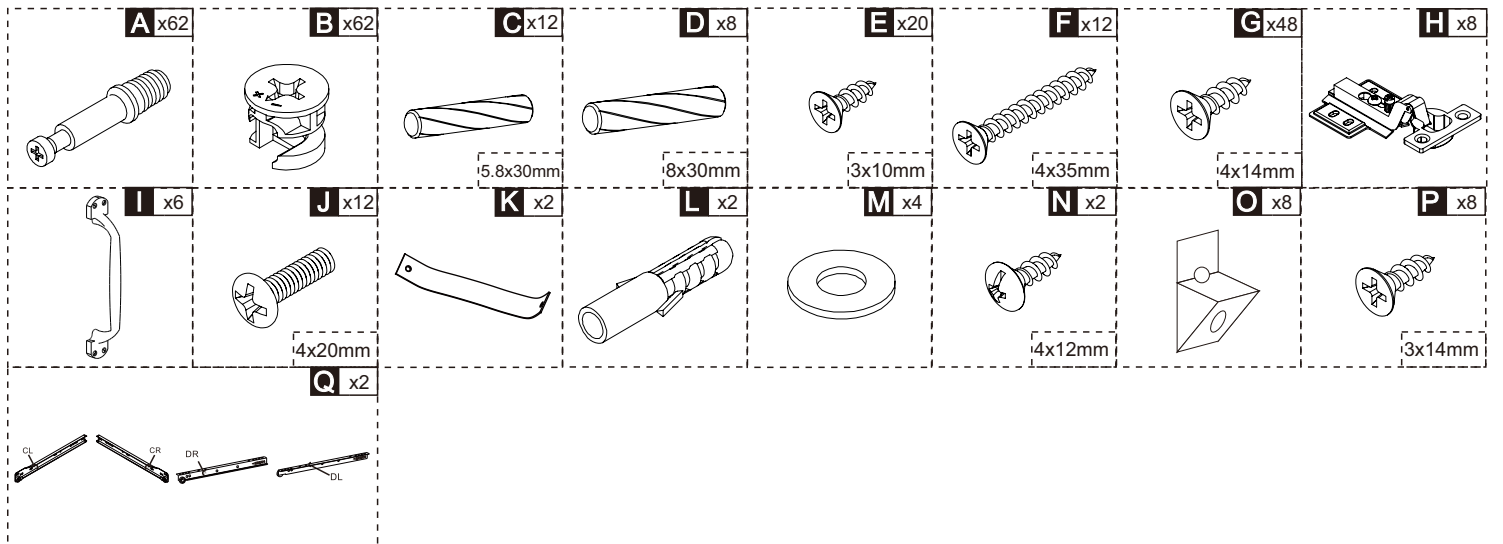
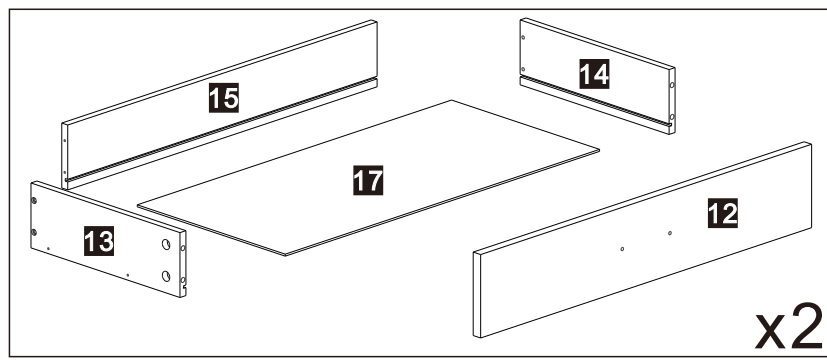
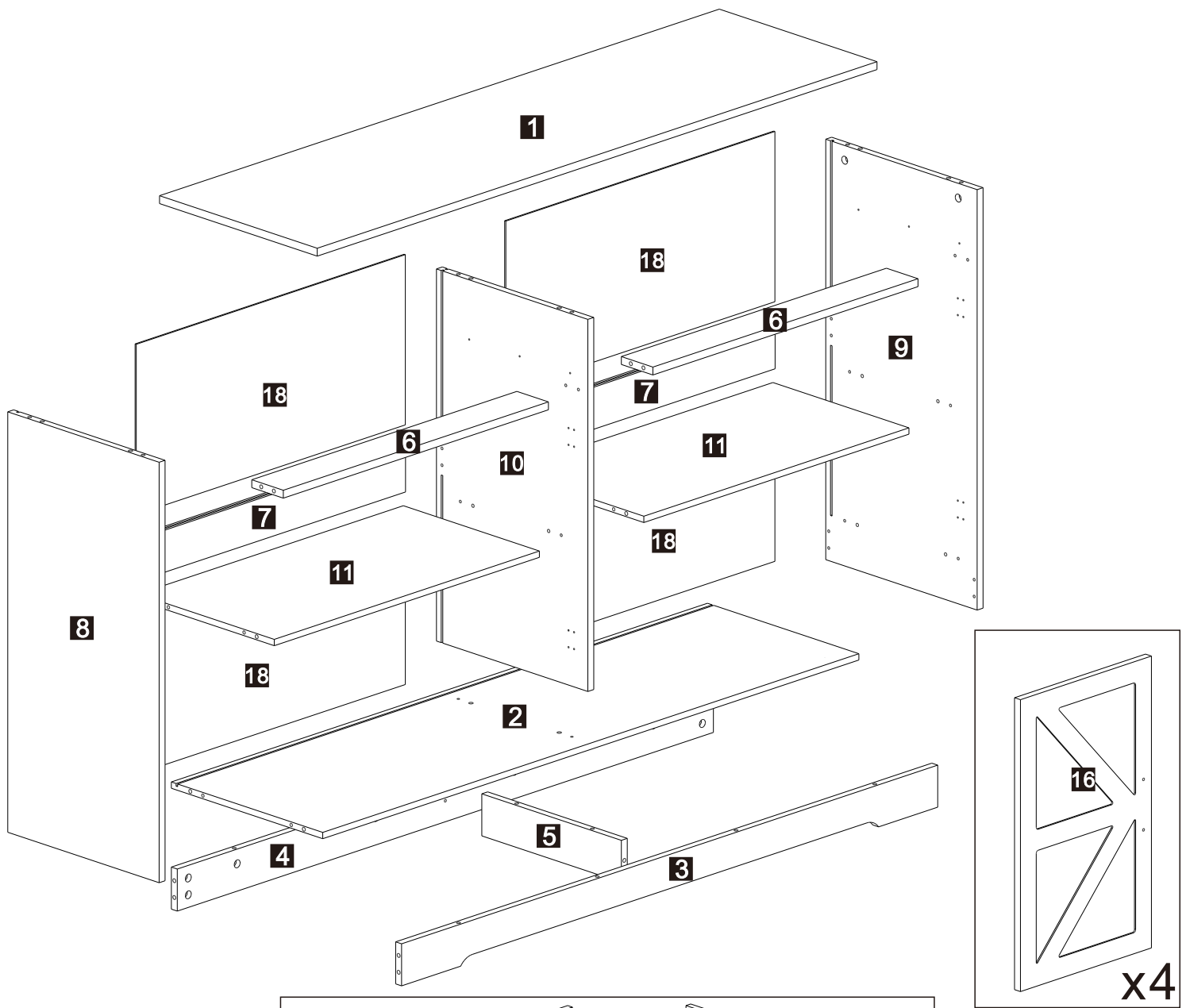
**Attention please :**

**Improper use of screws may cause the product surface damage!  
Please be careful when installing.**

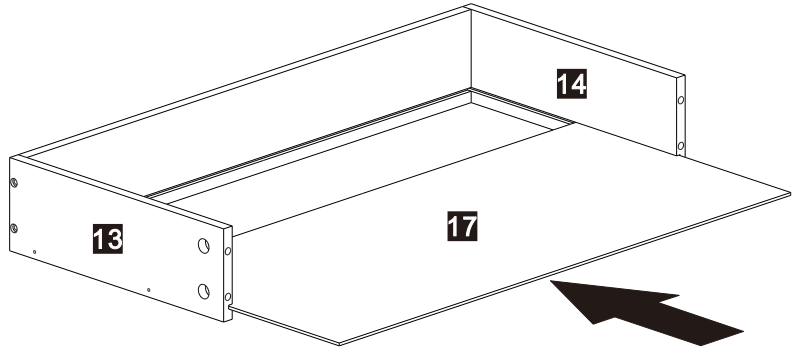
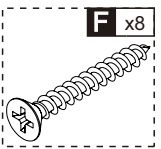
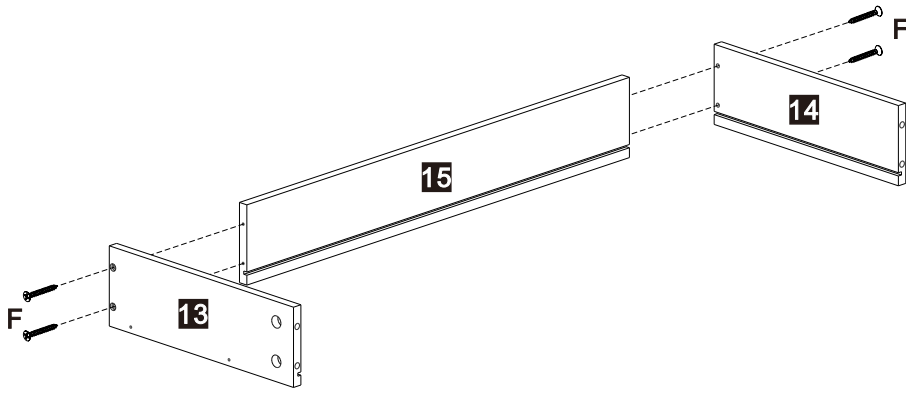
**To prevent you from confusing the accessories and boards, Please do not mix the parts of different units when you buy two or more products at the same time.**

**READ AND SAVE THIS INSTRUCTIONS FOR FUTURE USE**

**ASSEMBLY & INSTRUCTION MANUAL**

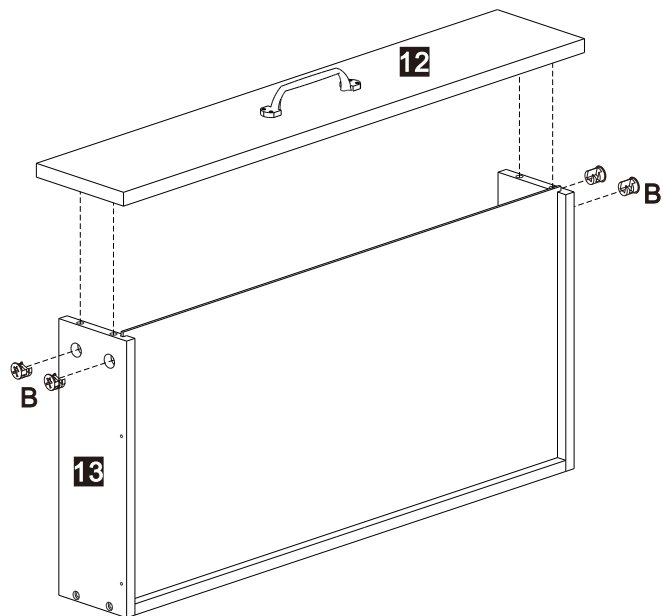
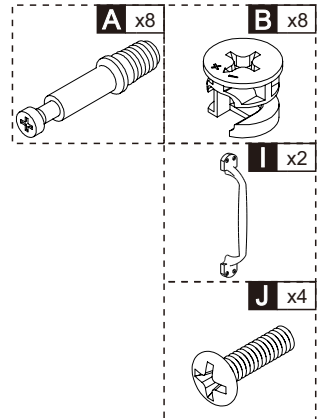
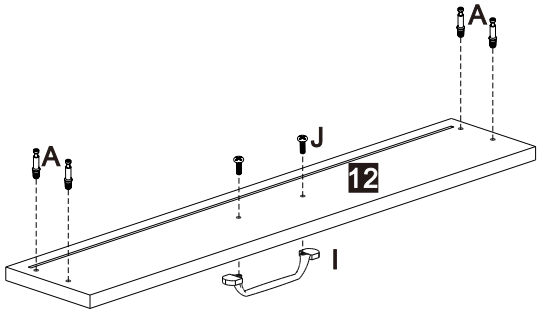


1



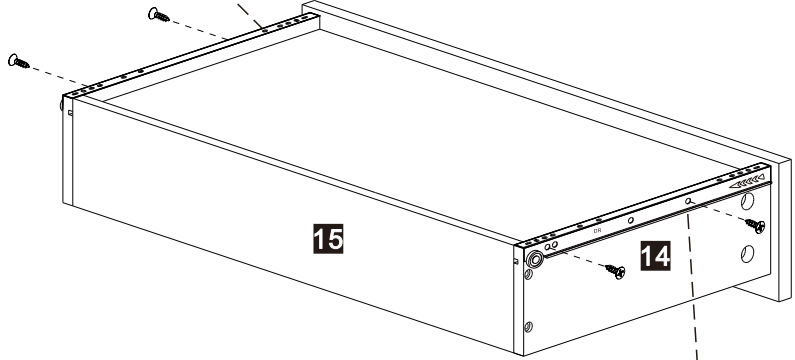
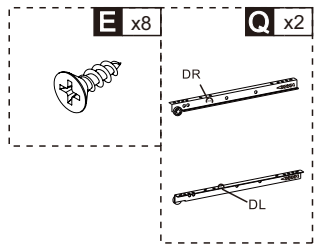
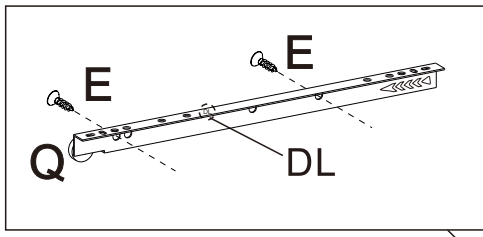
x2

2

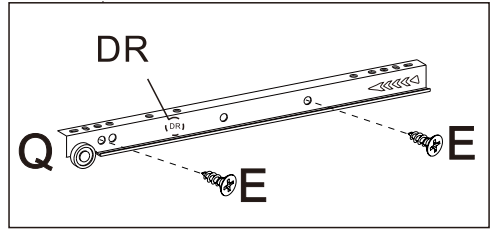


x2

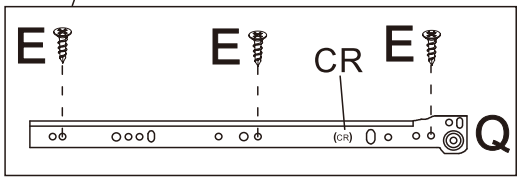
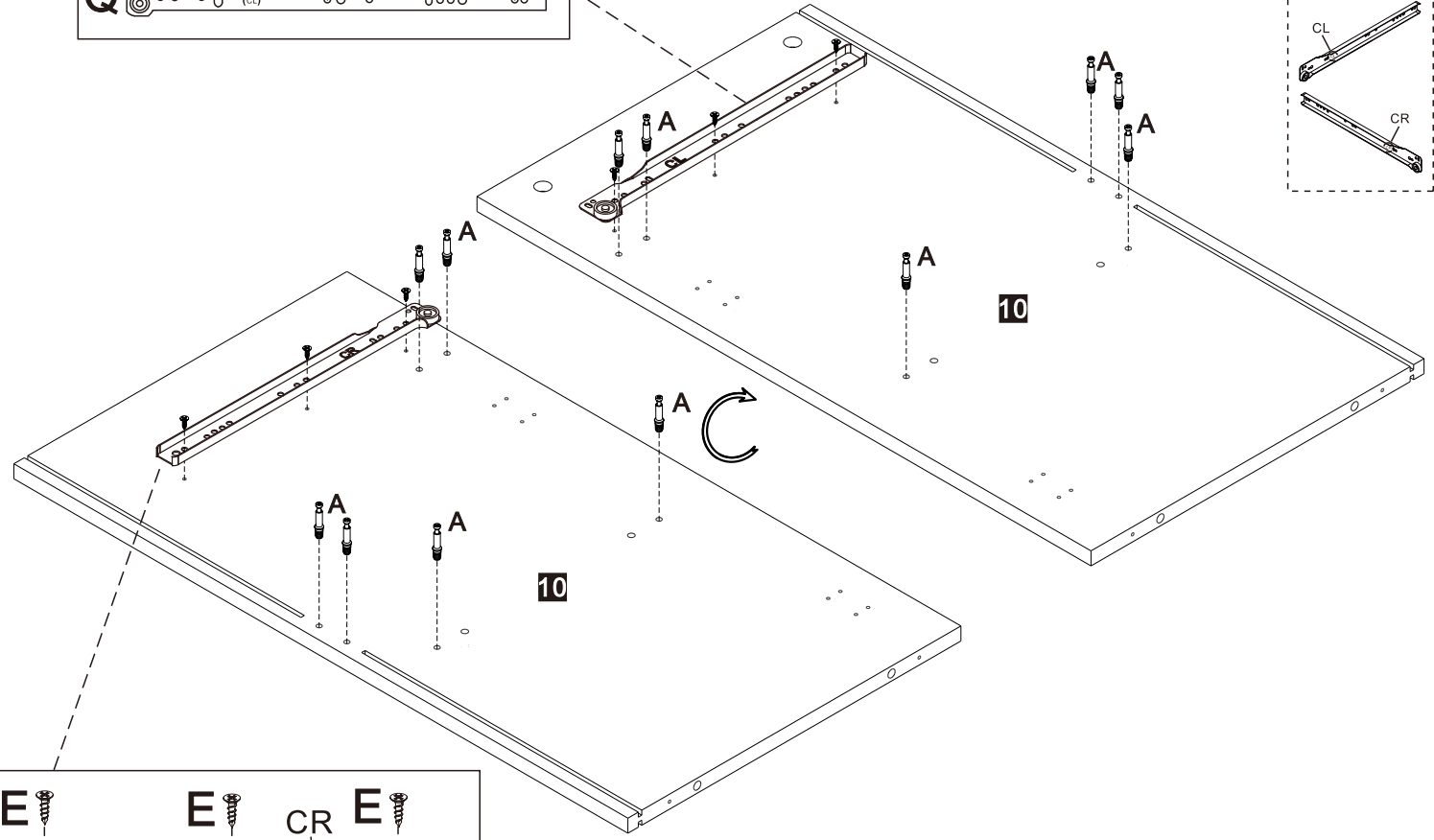
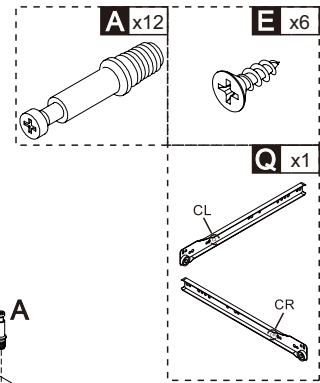
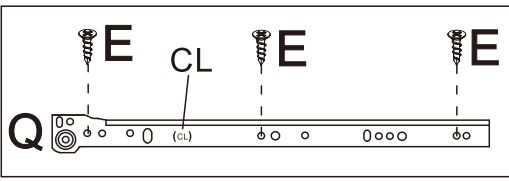
3



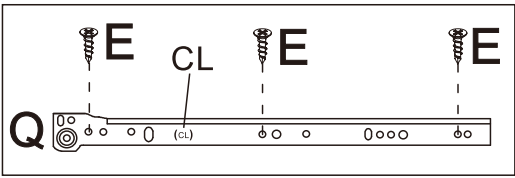
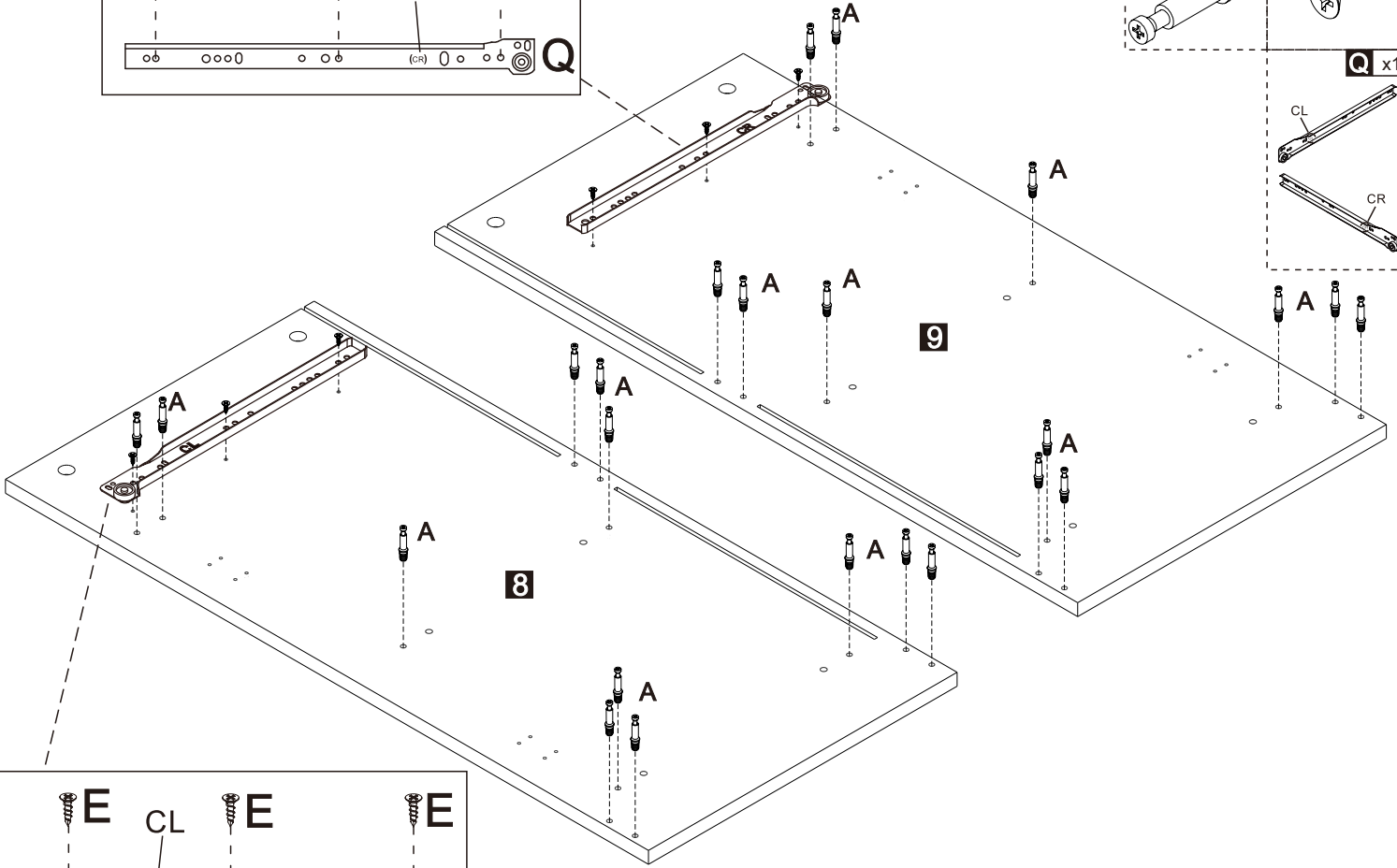
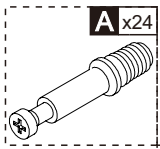
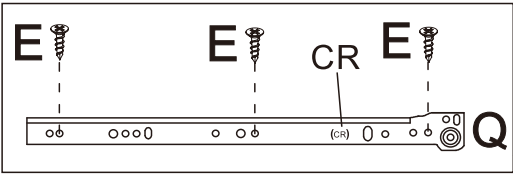
x2



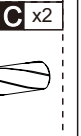
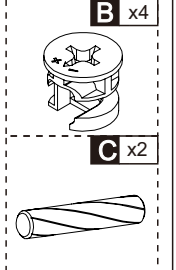
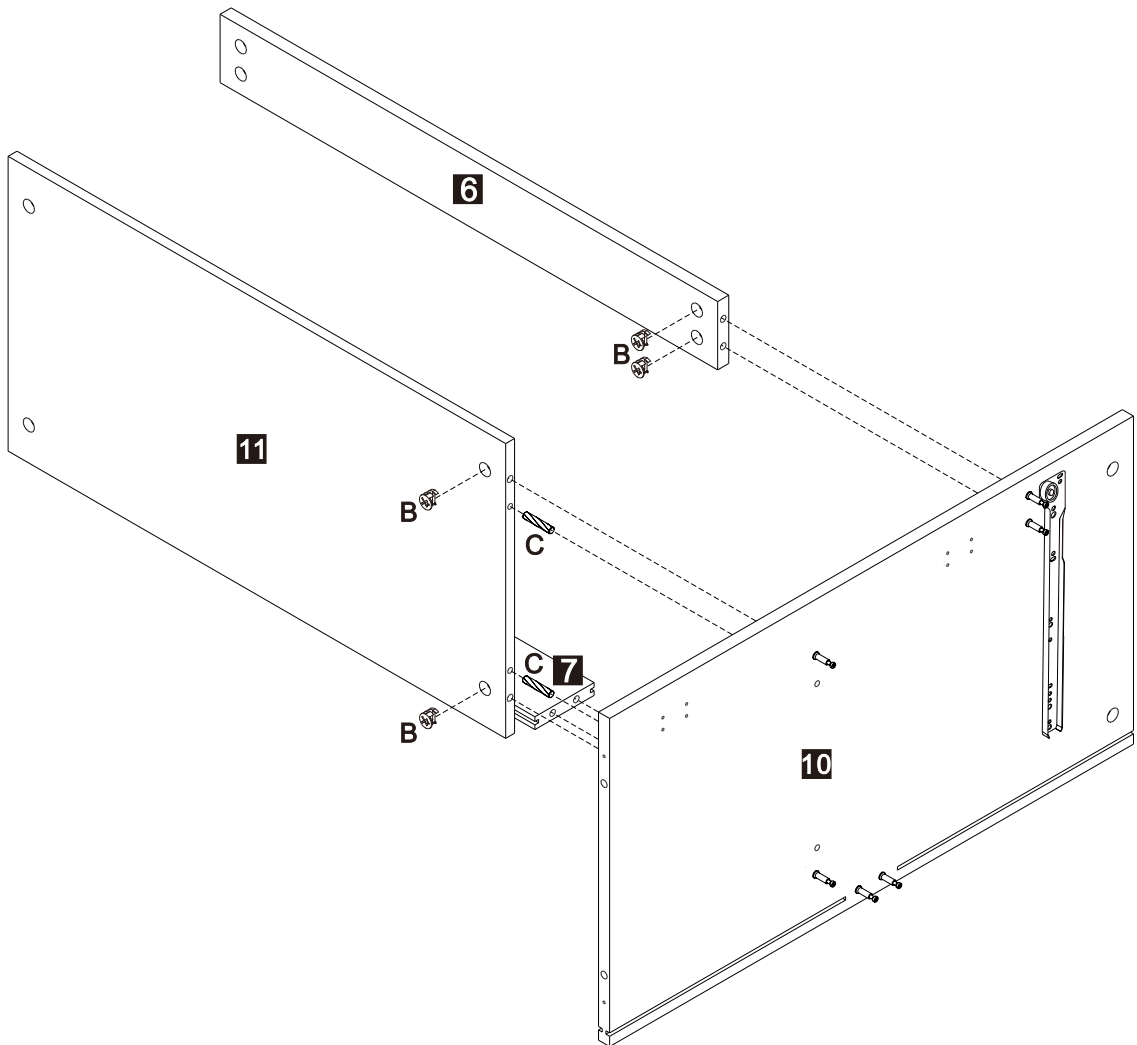
4



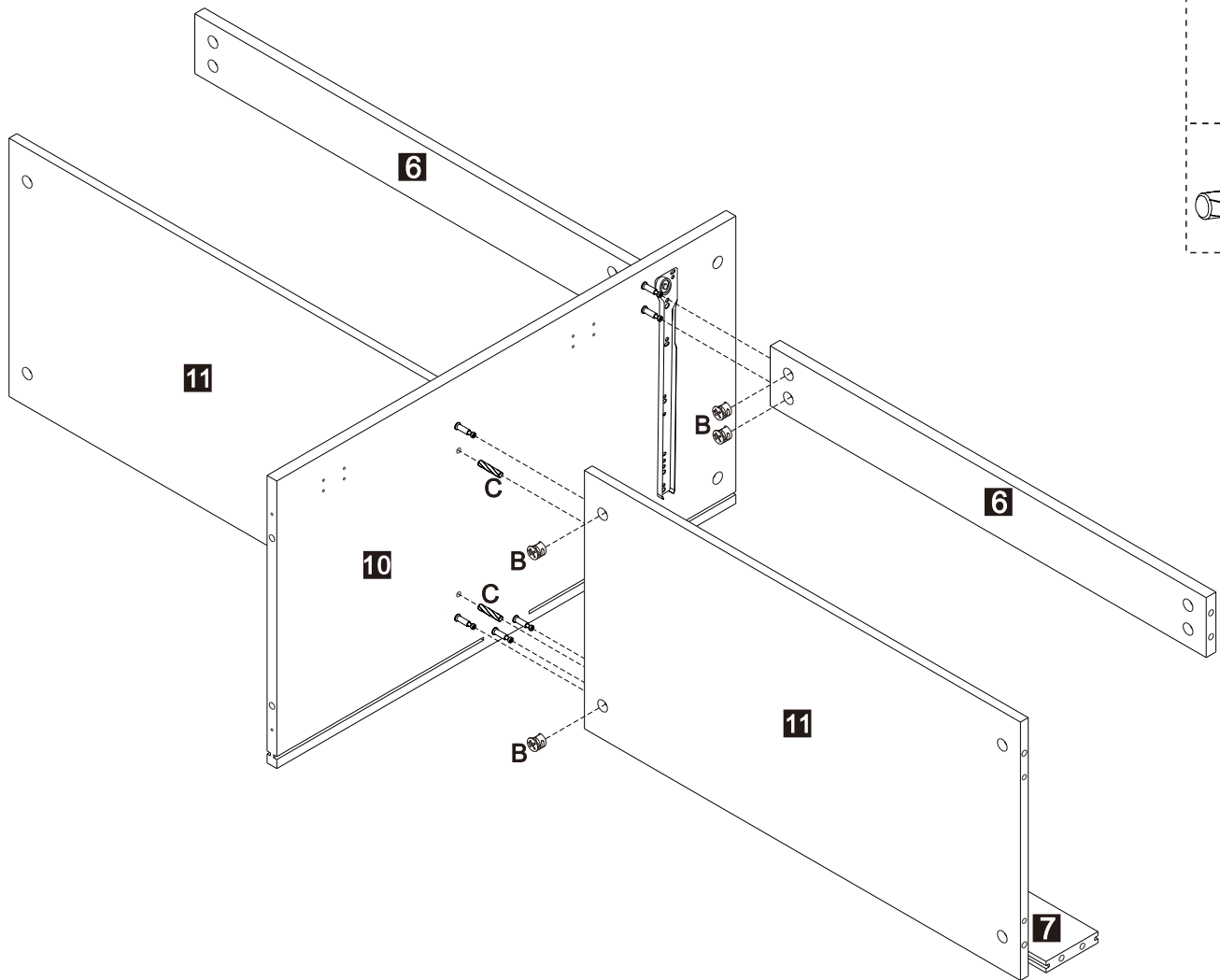
5



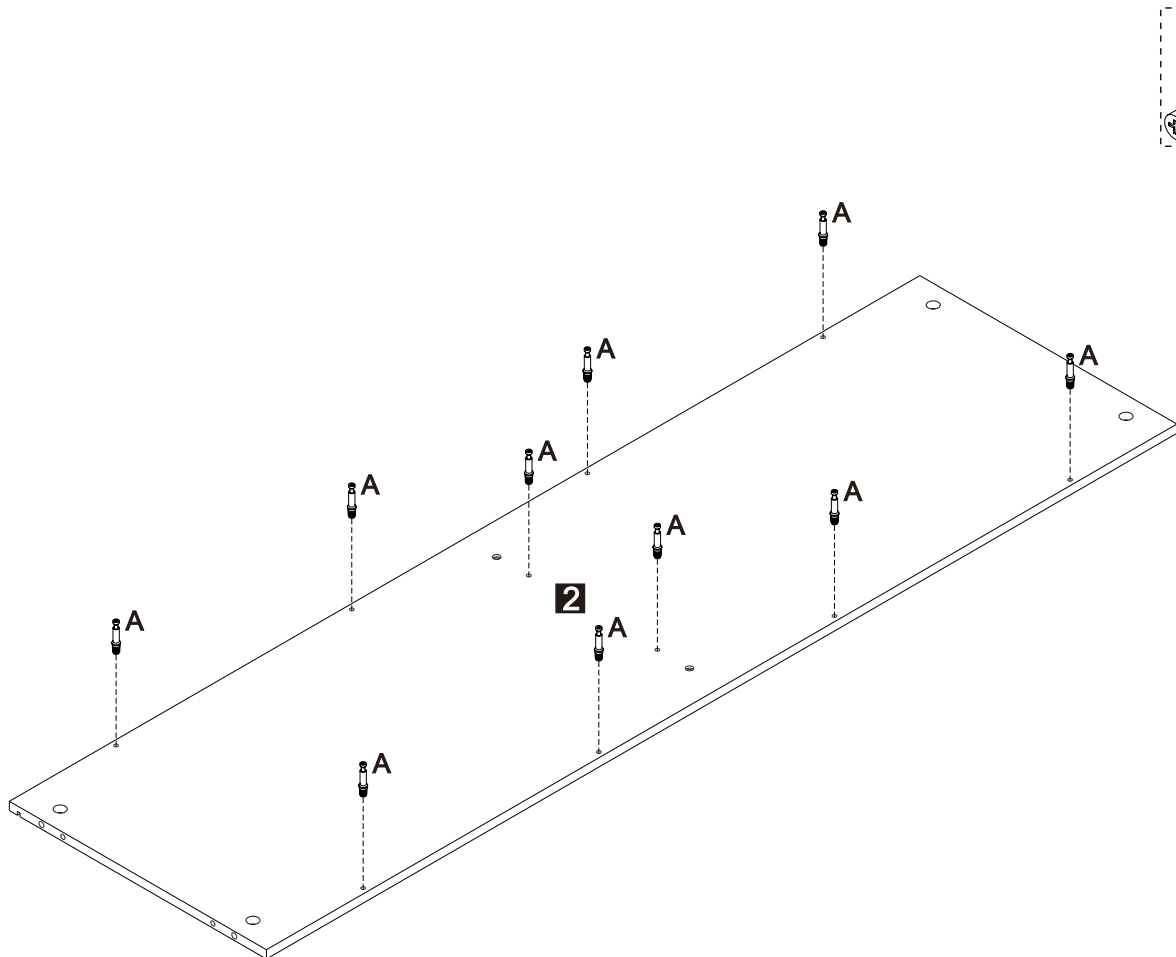
6



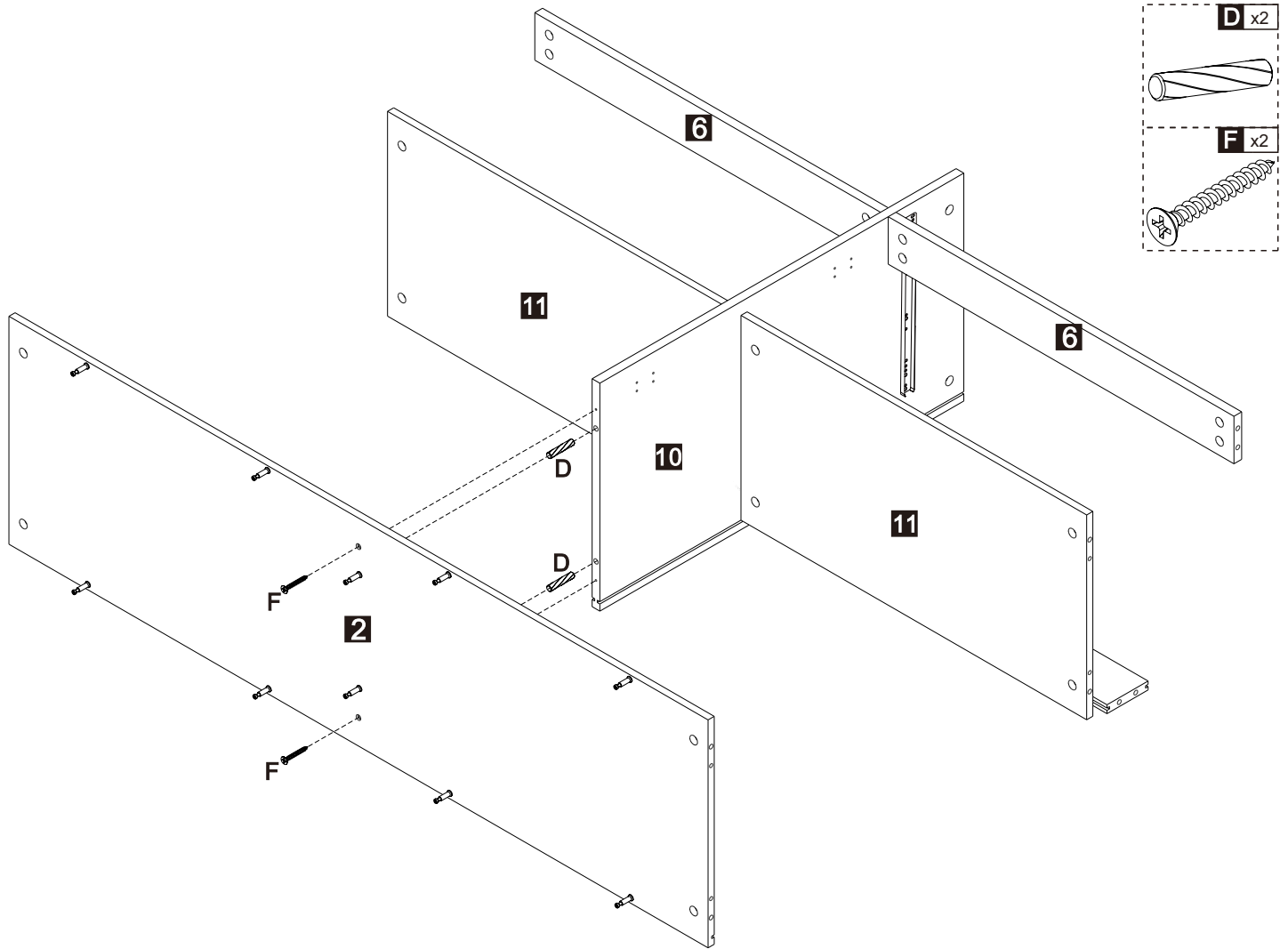
7



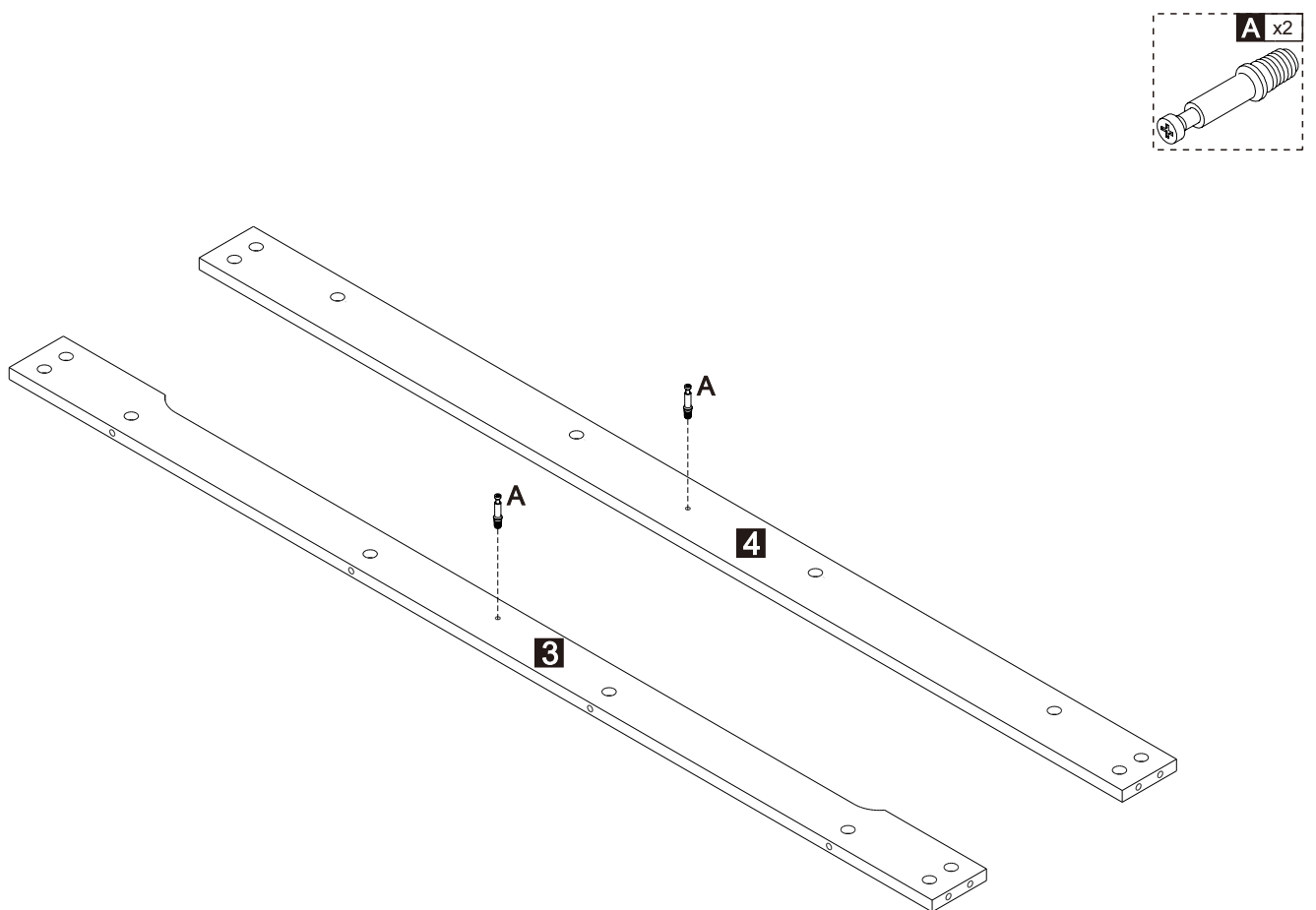
8



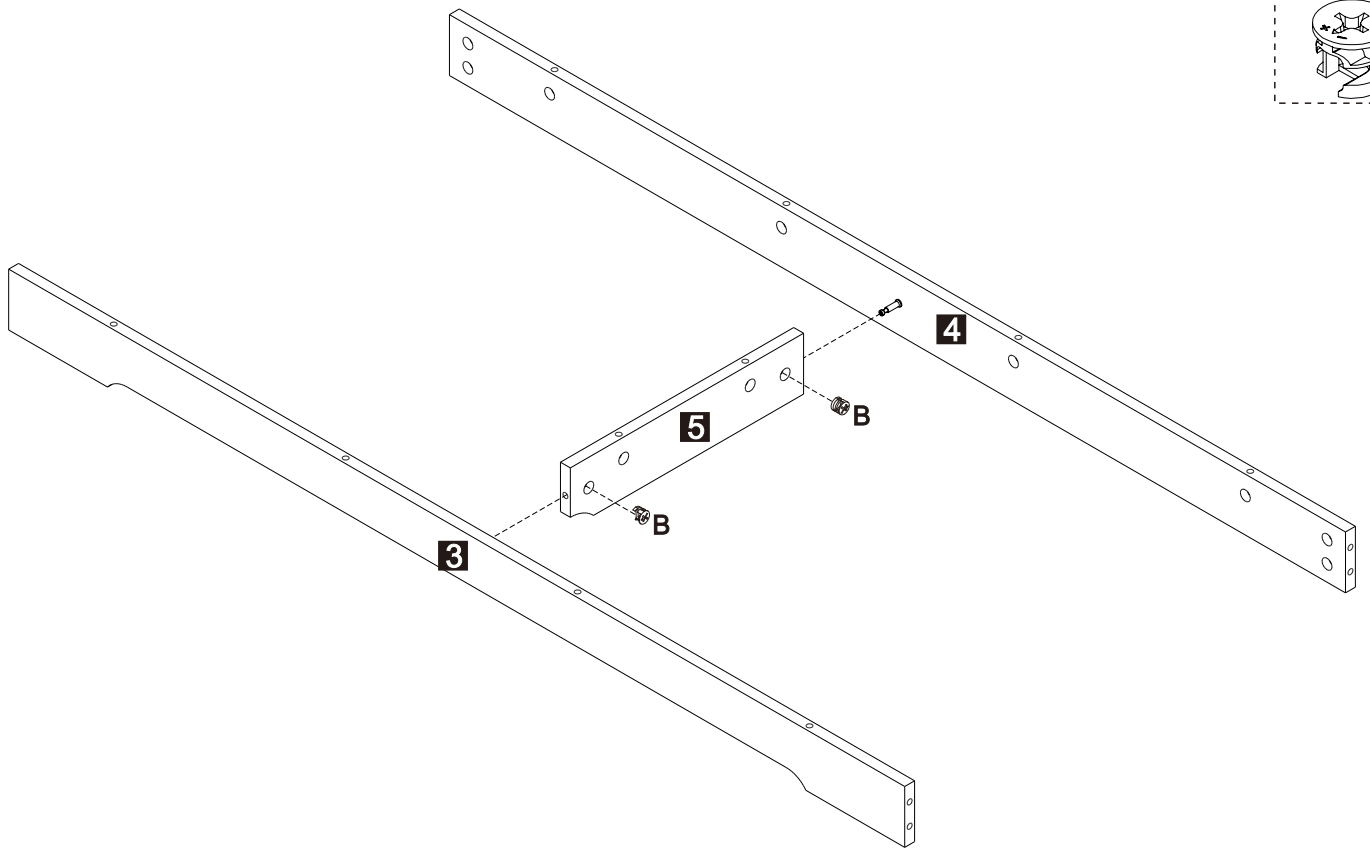
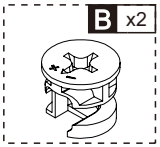
9



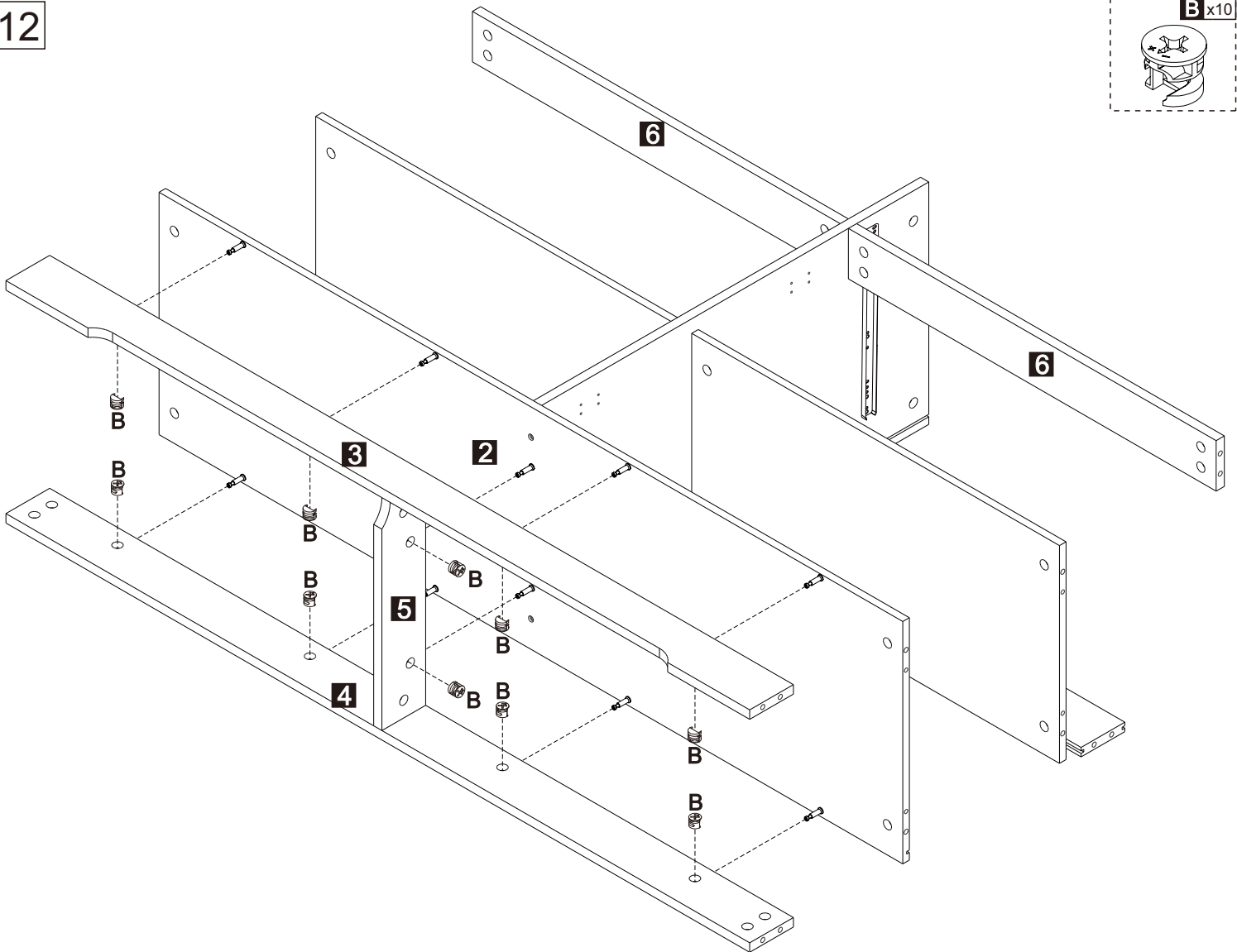
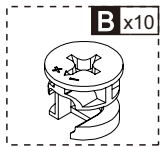
10



11

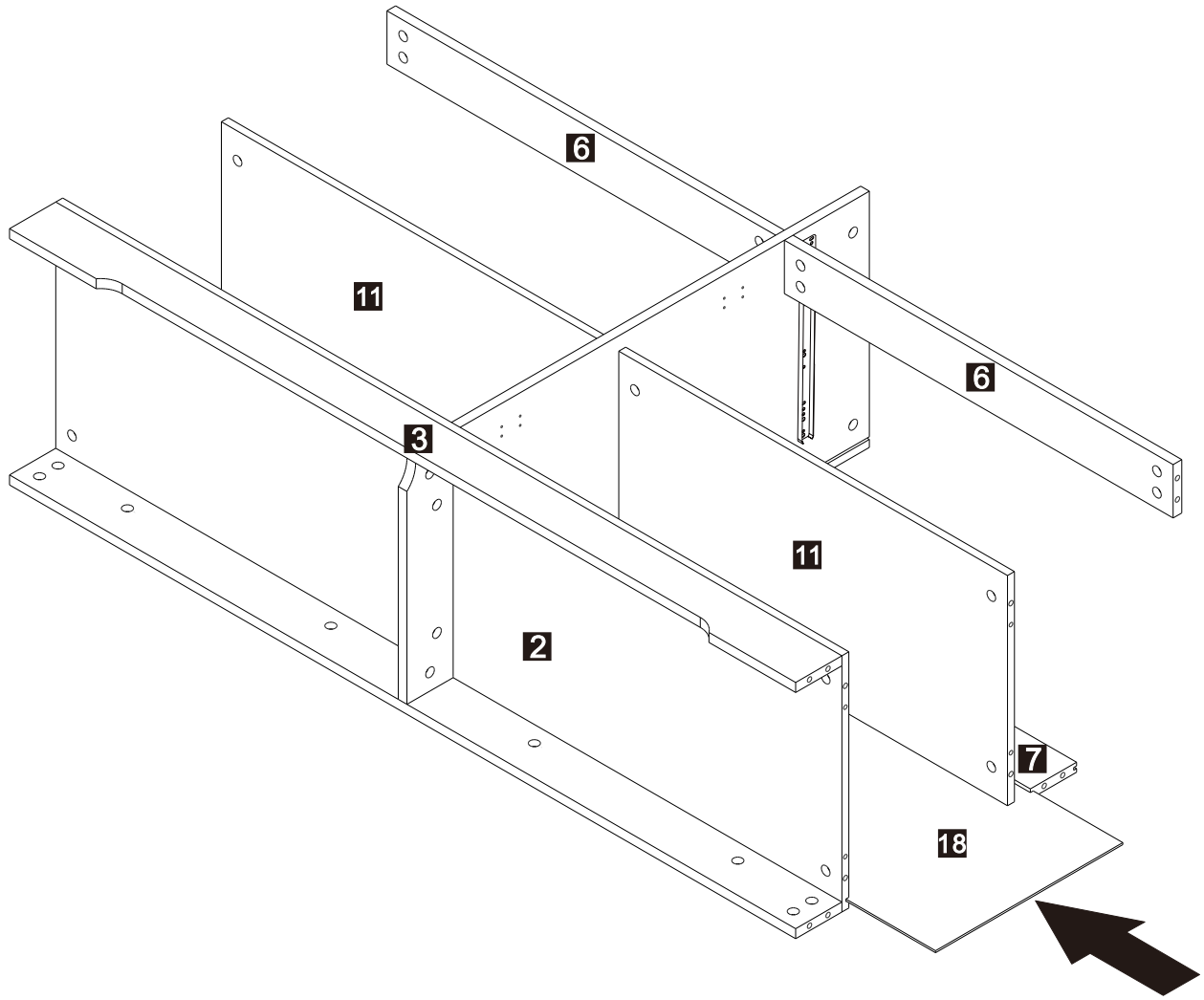


12

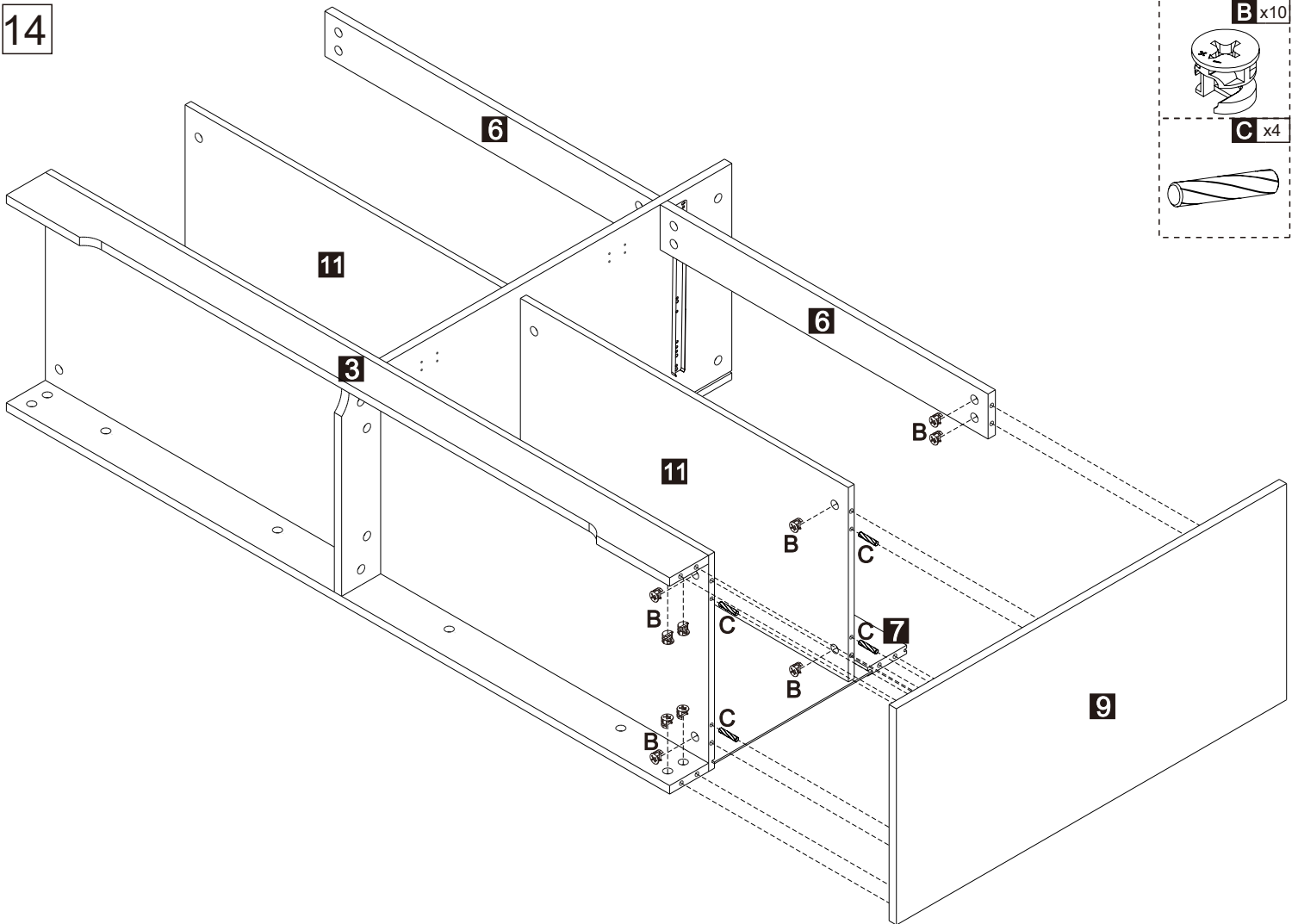




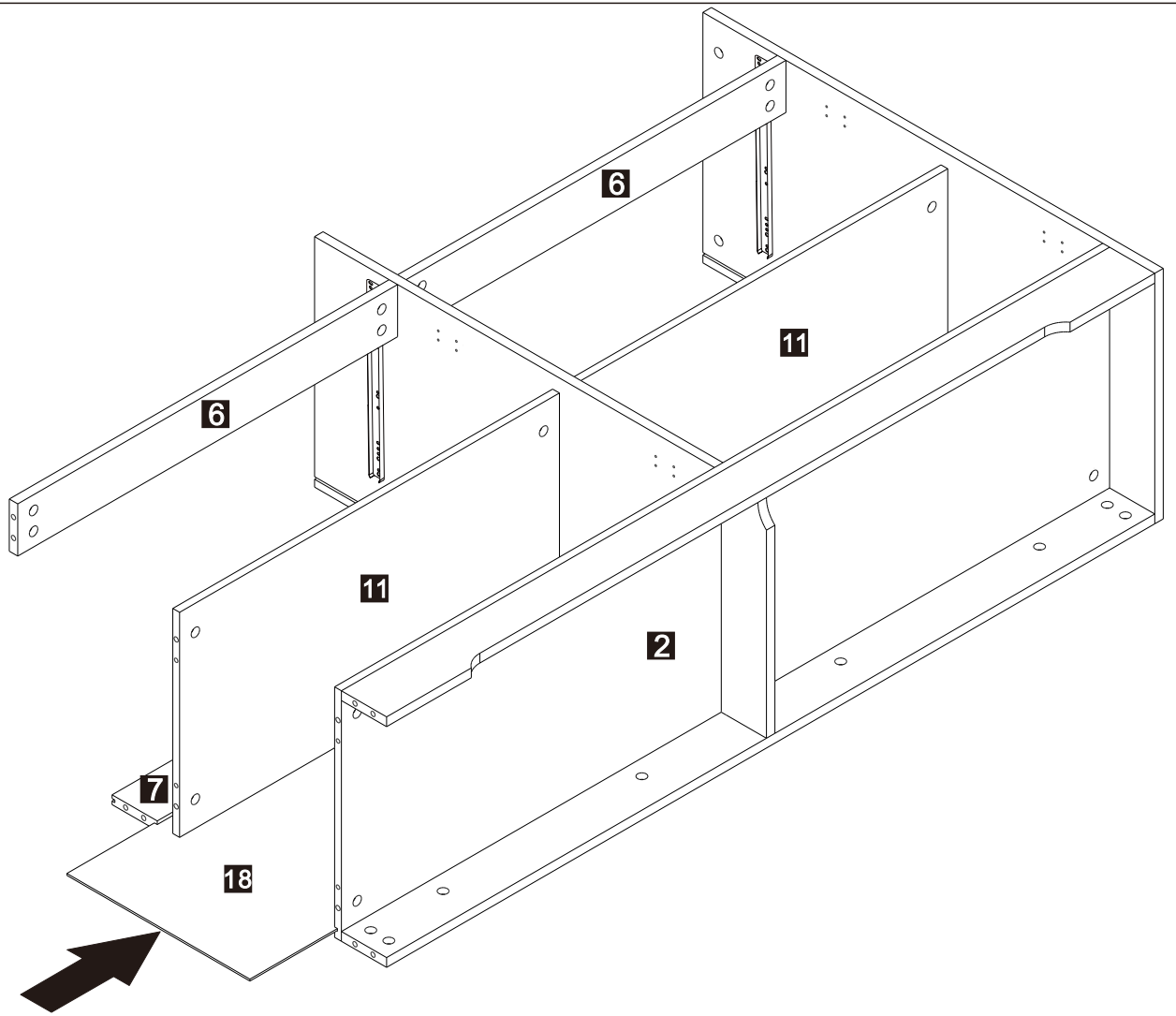
13



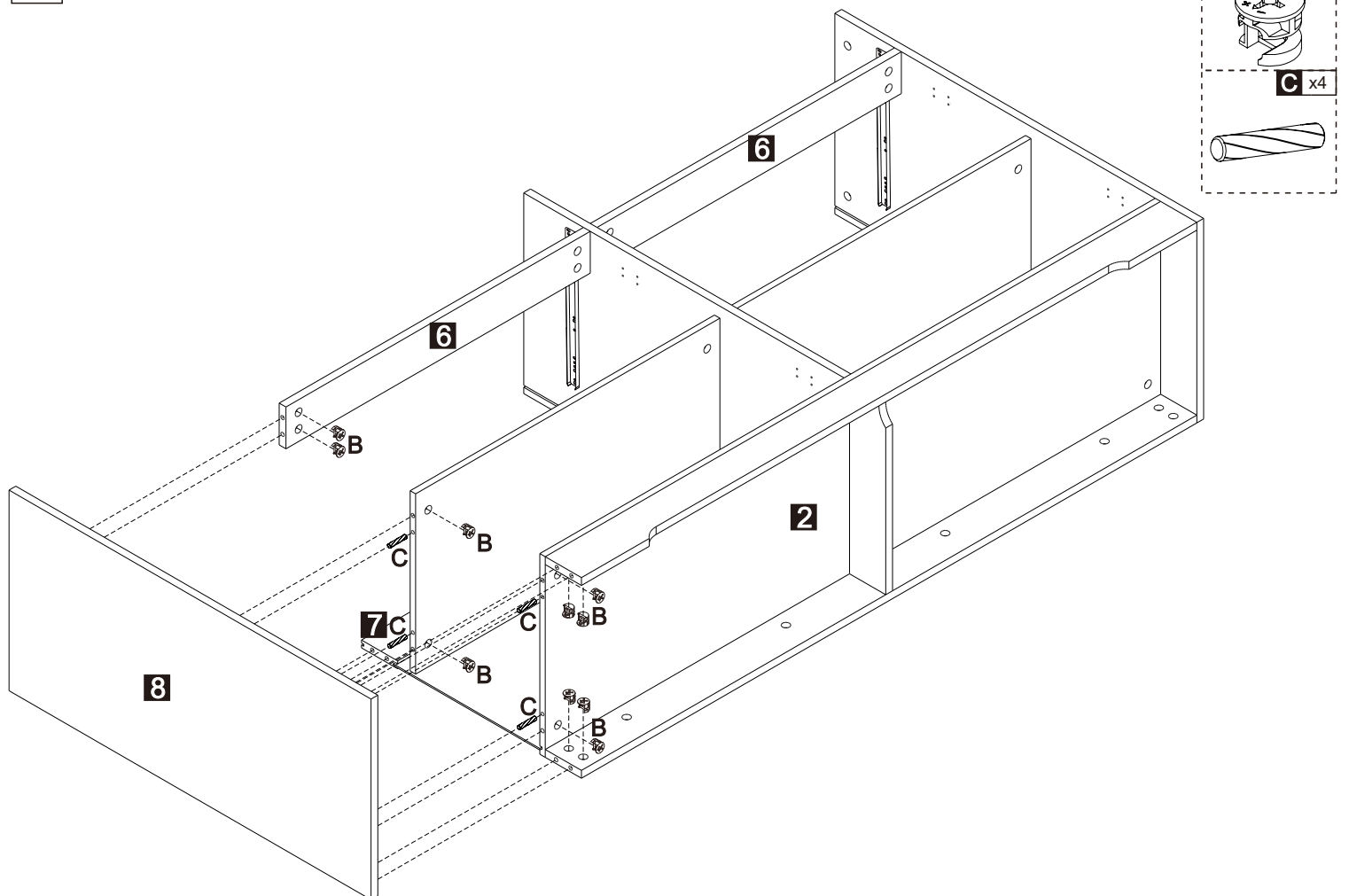
14



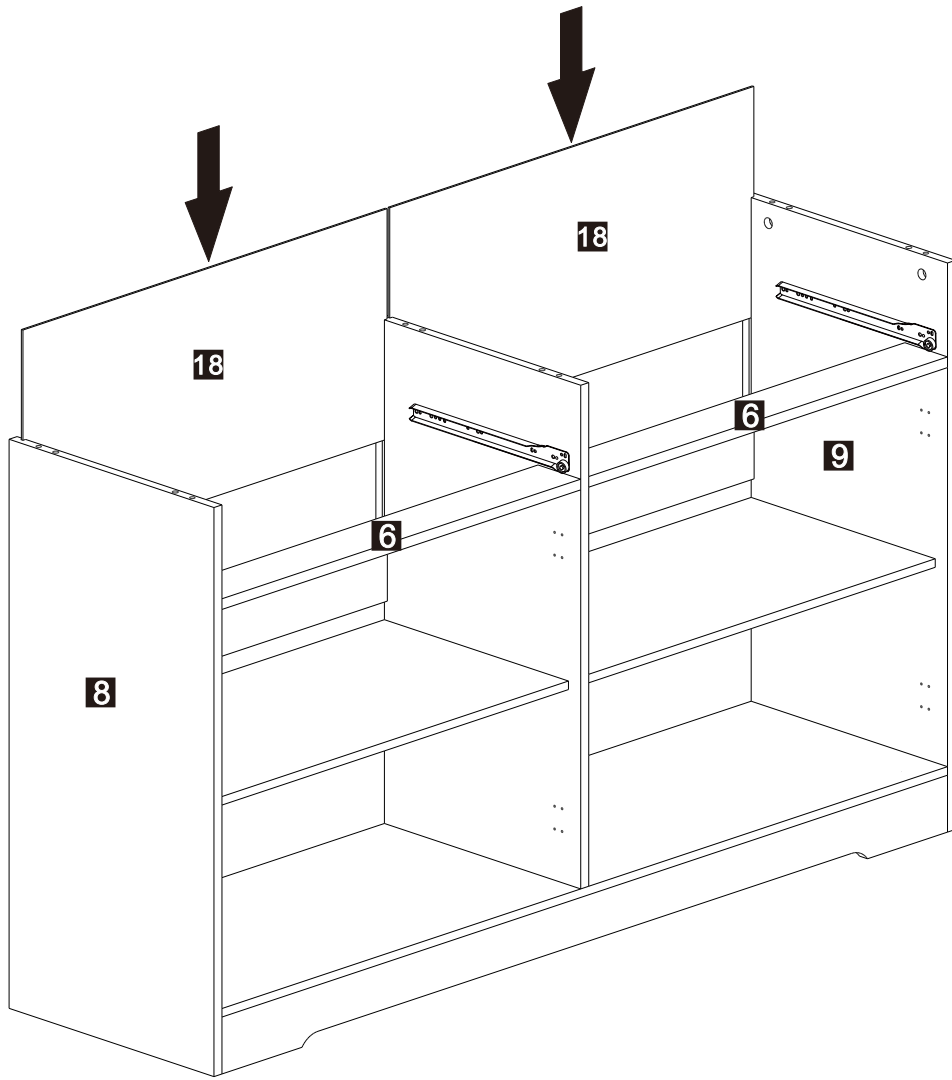
15



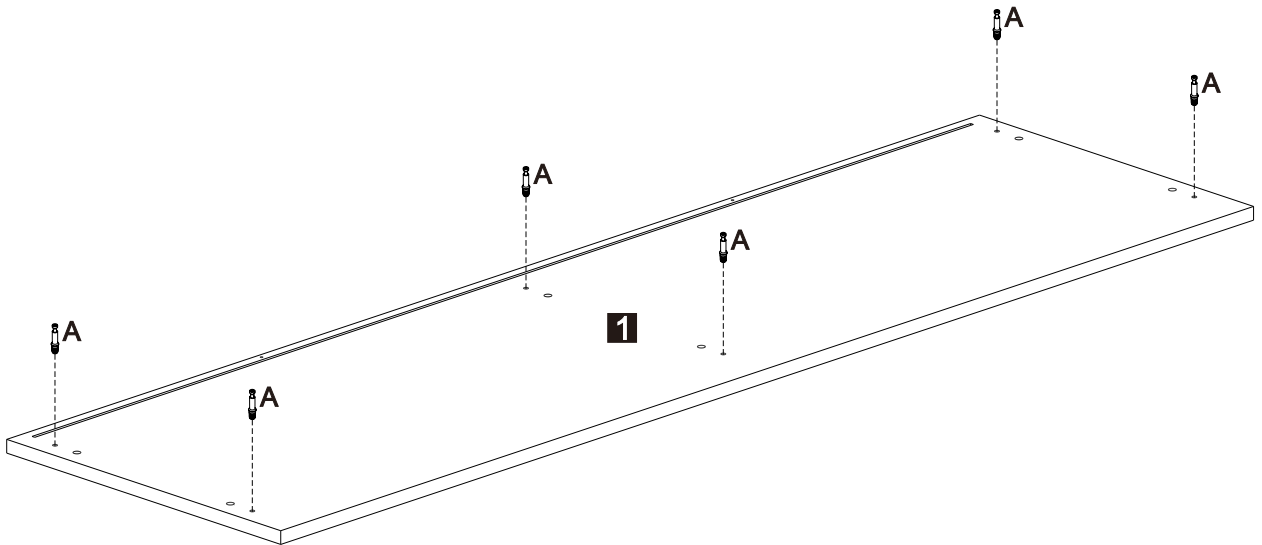
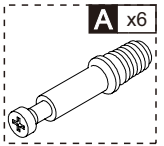
16



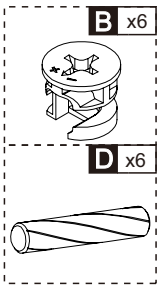
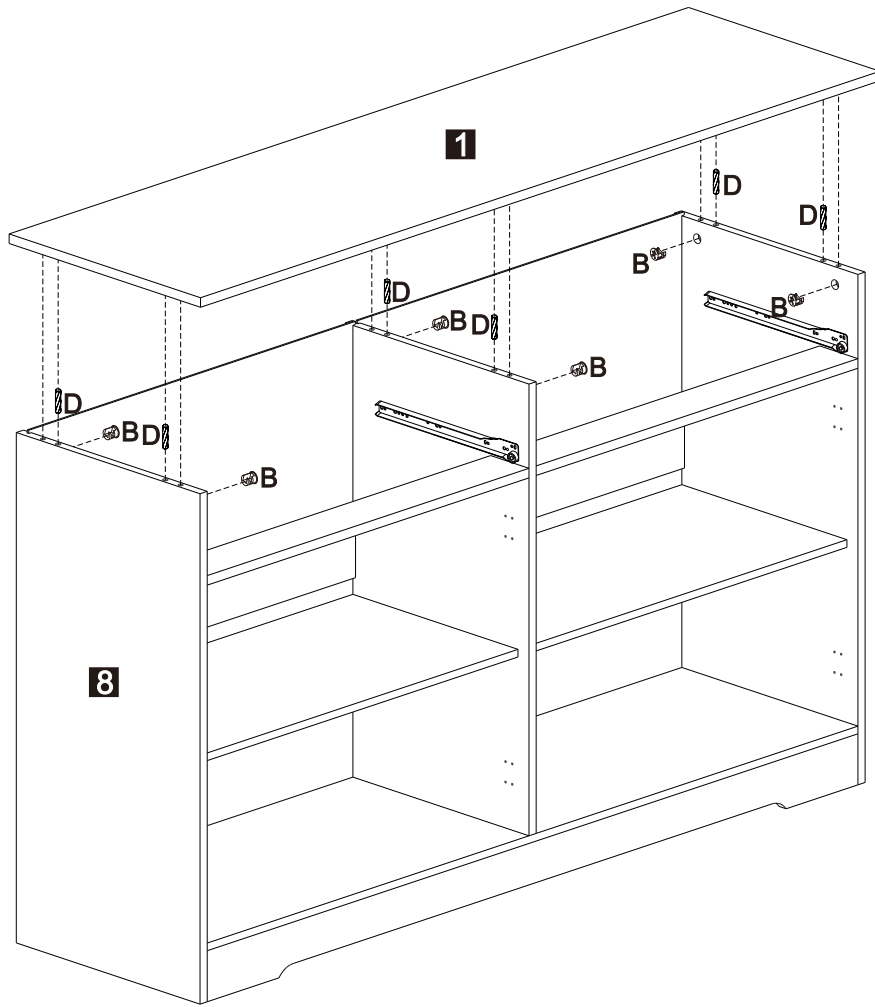
17



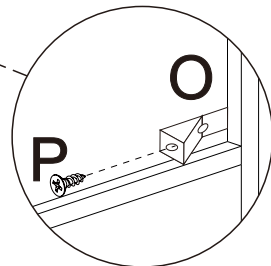
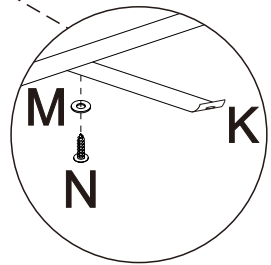
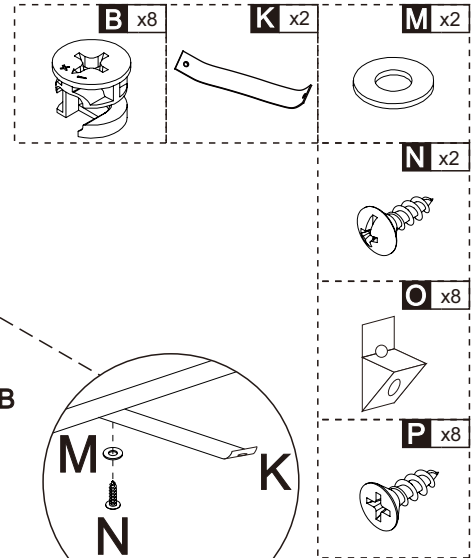
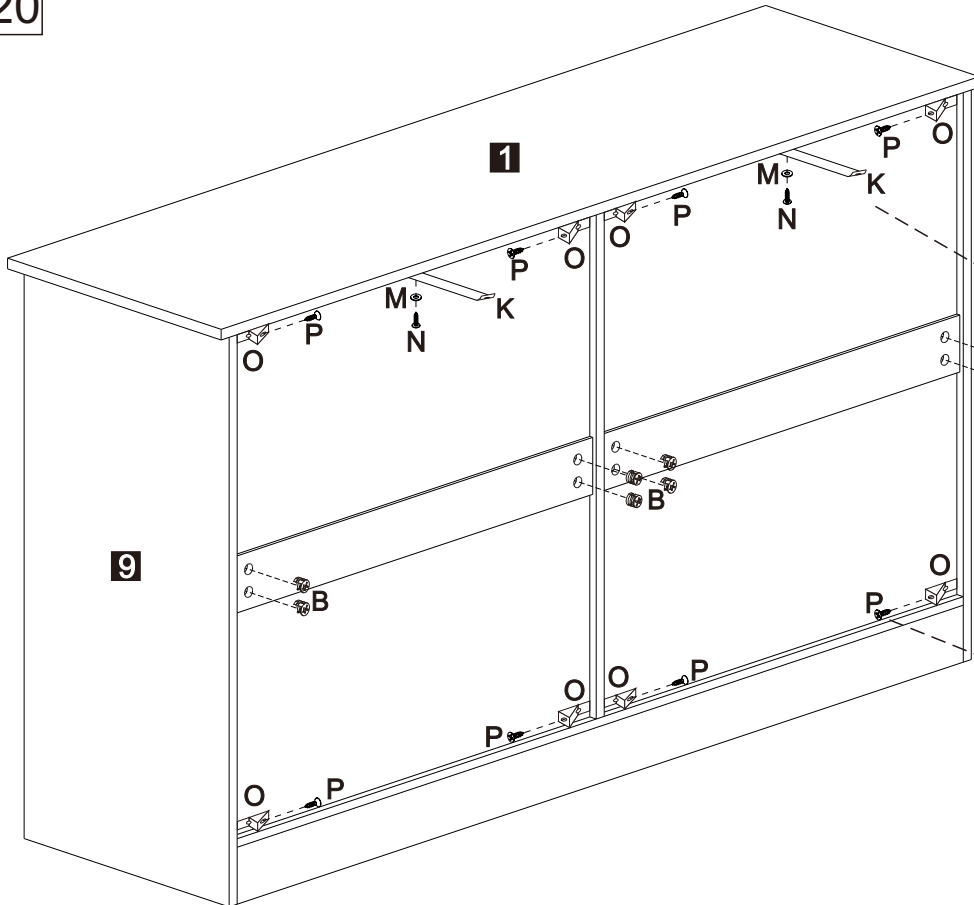
18



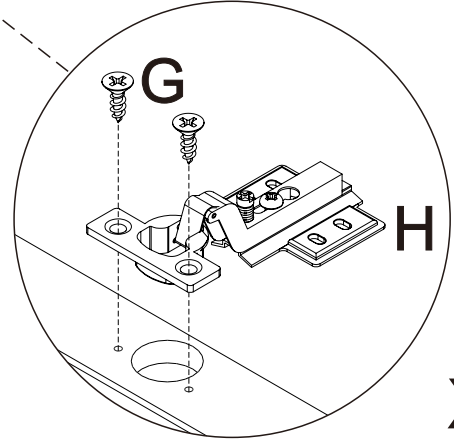
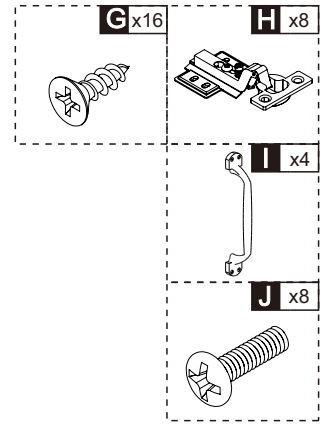
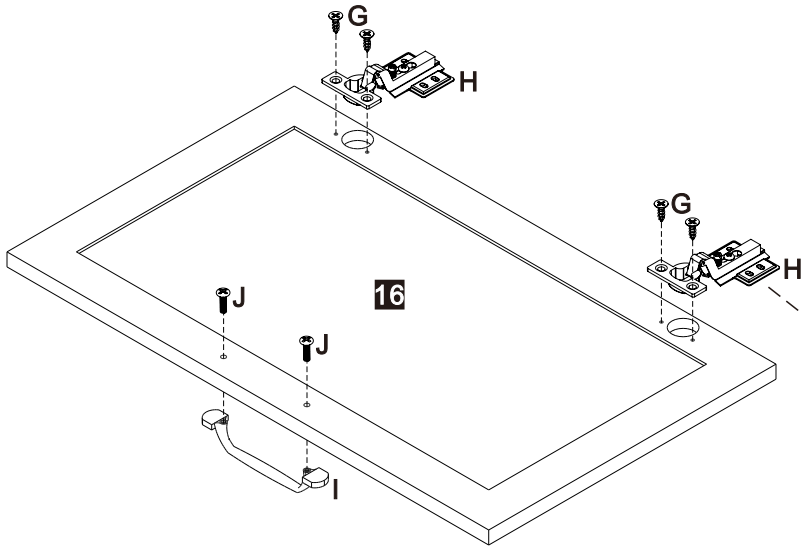
19



20



21



x4

22

