

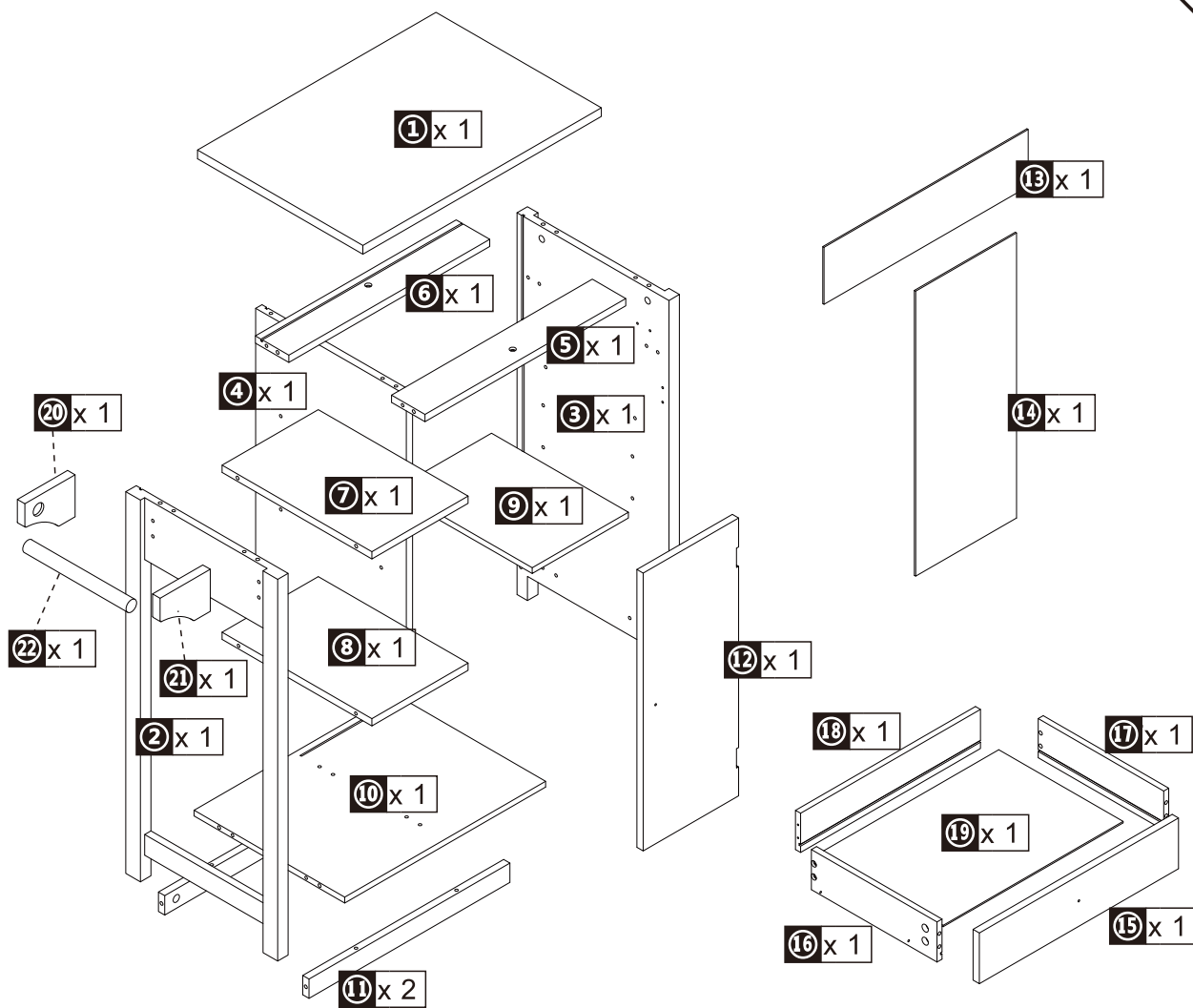
Attention please :

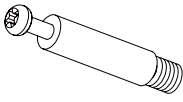
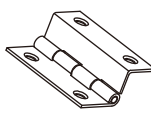

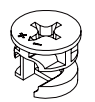
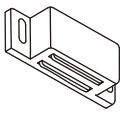
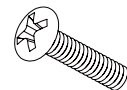

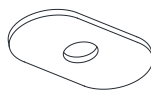
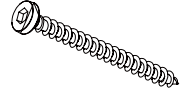
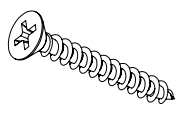
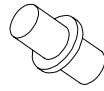
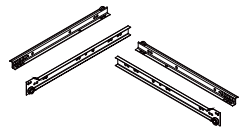
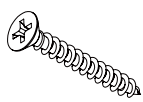
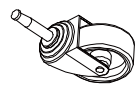
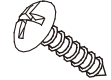


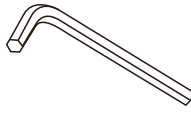
**Improper use of screws may cause the product surface damage!
Please be careful when installing.**

To prevent you from confusing the accessories and boards, Please do not mix the parts of different units when you buy two or more products at the same time.

READ AND SAVE THIS INSTRUCTIONS FOR FUTURE USE

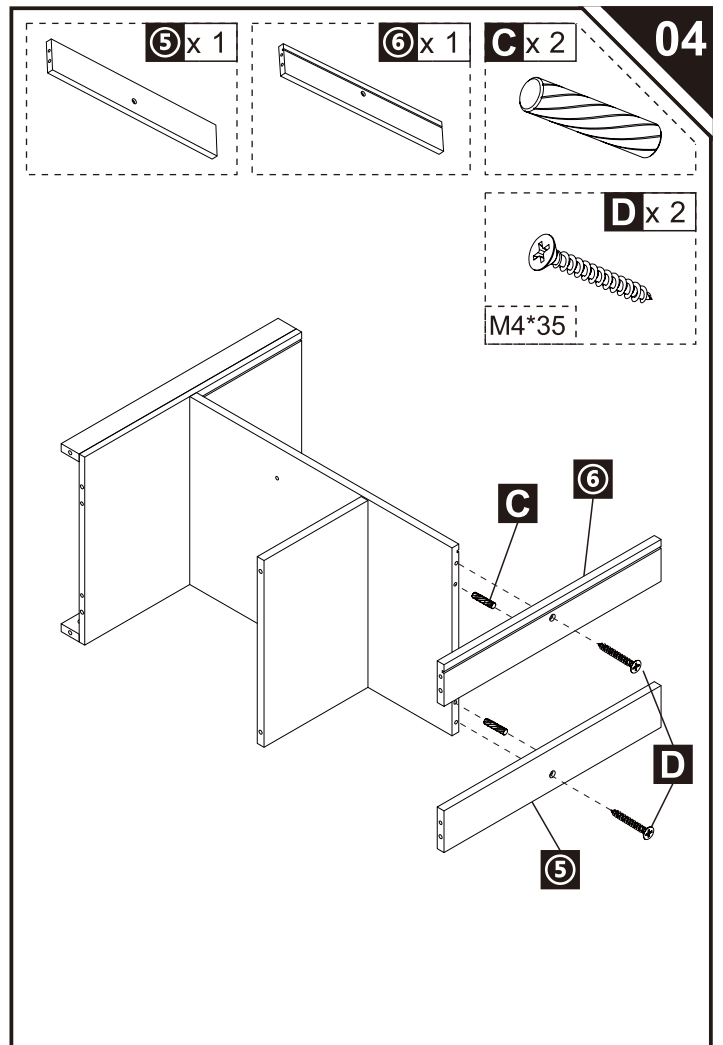
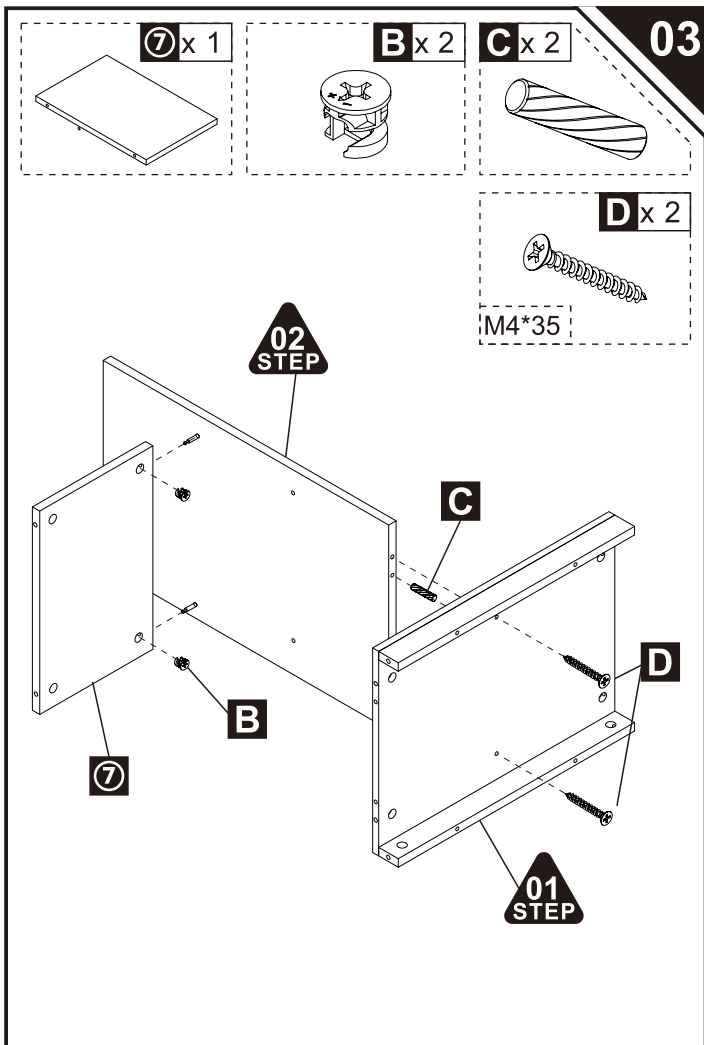
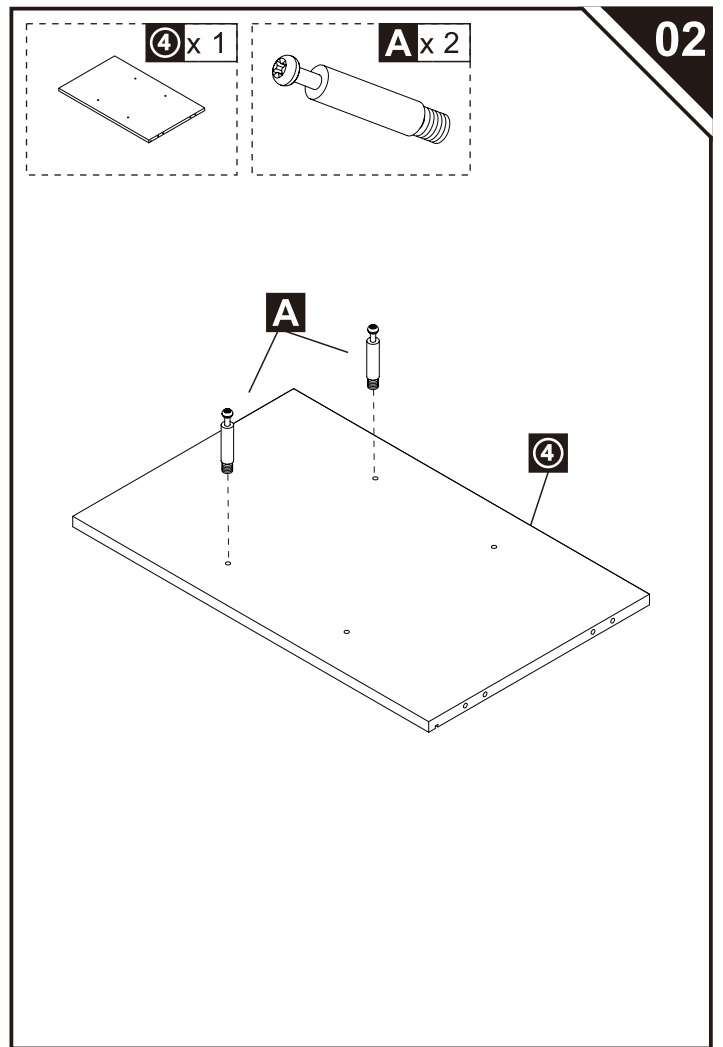
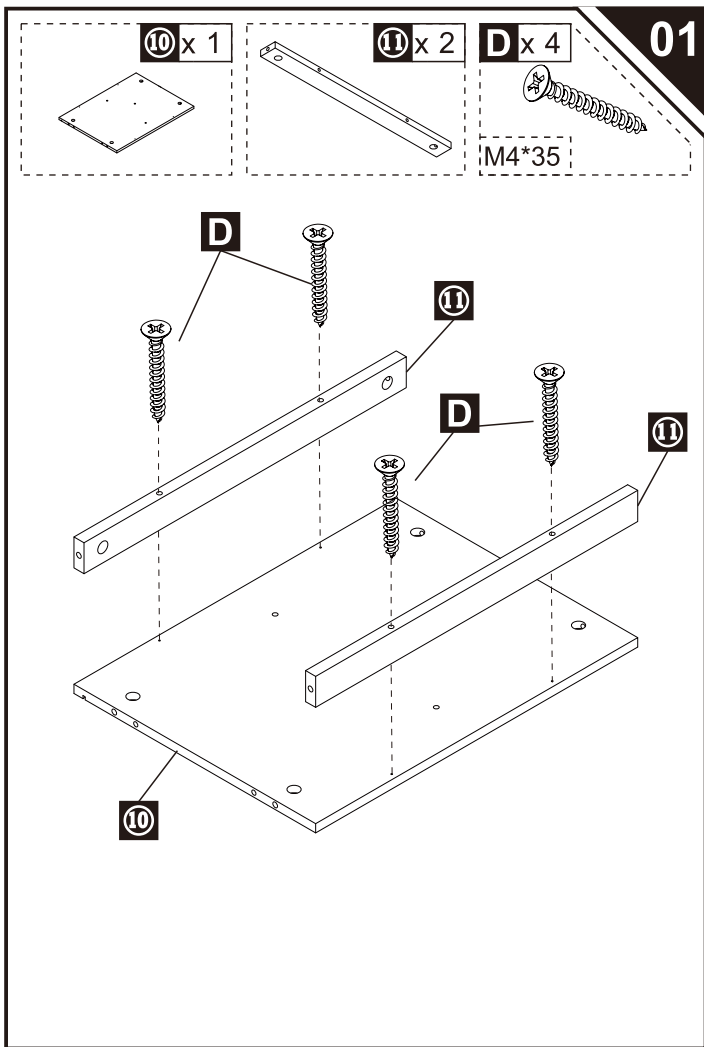
ASSEMBLY & INSTRUCTION MANUAL

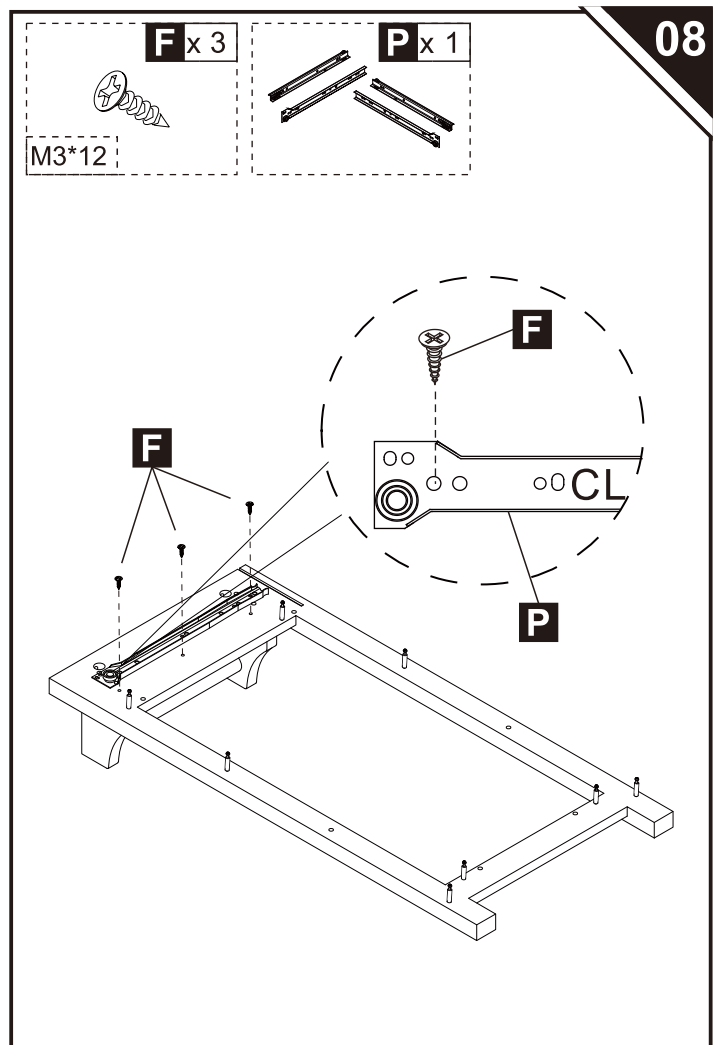
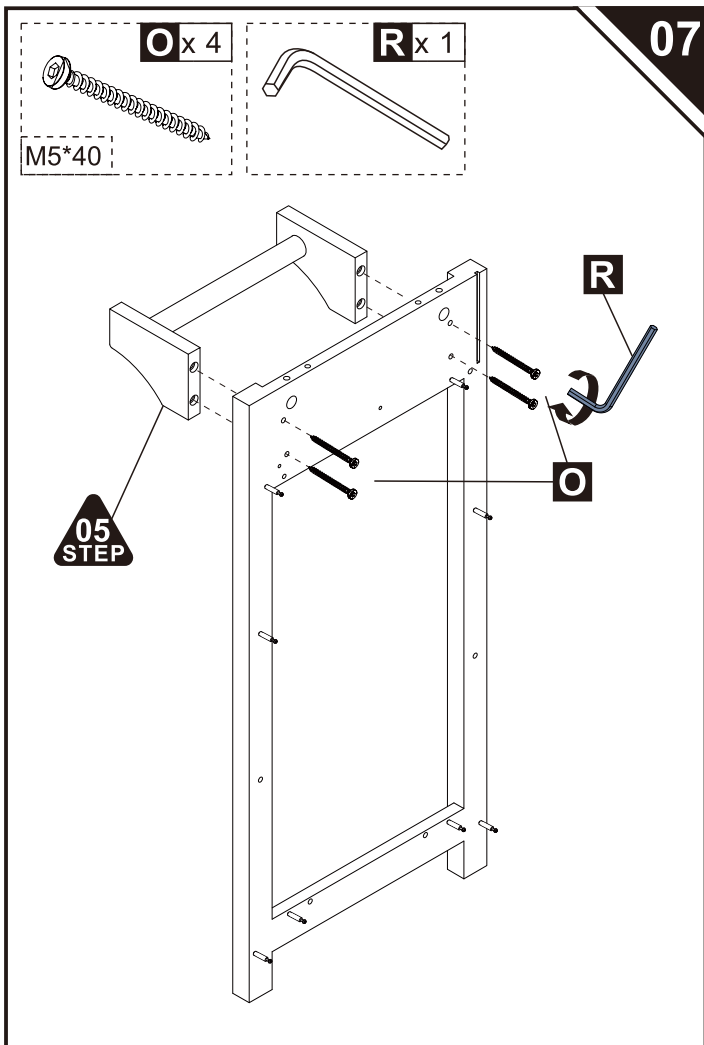
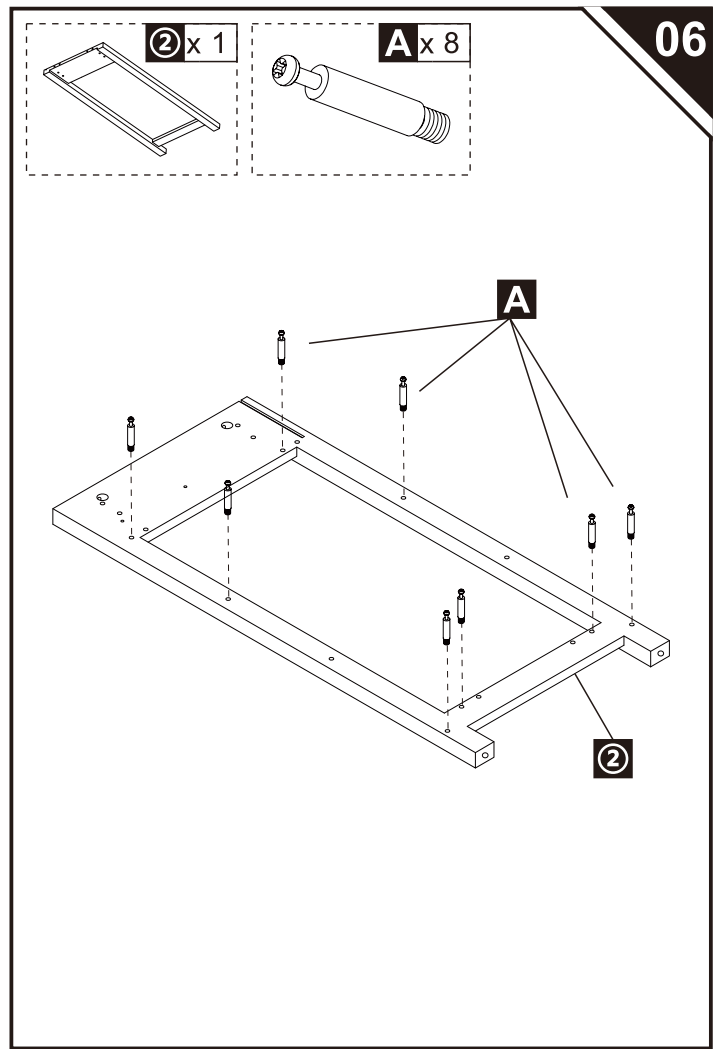
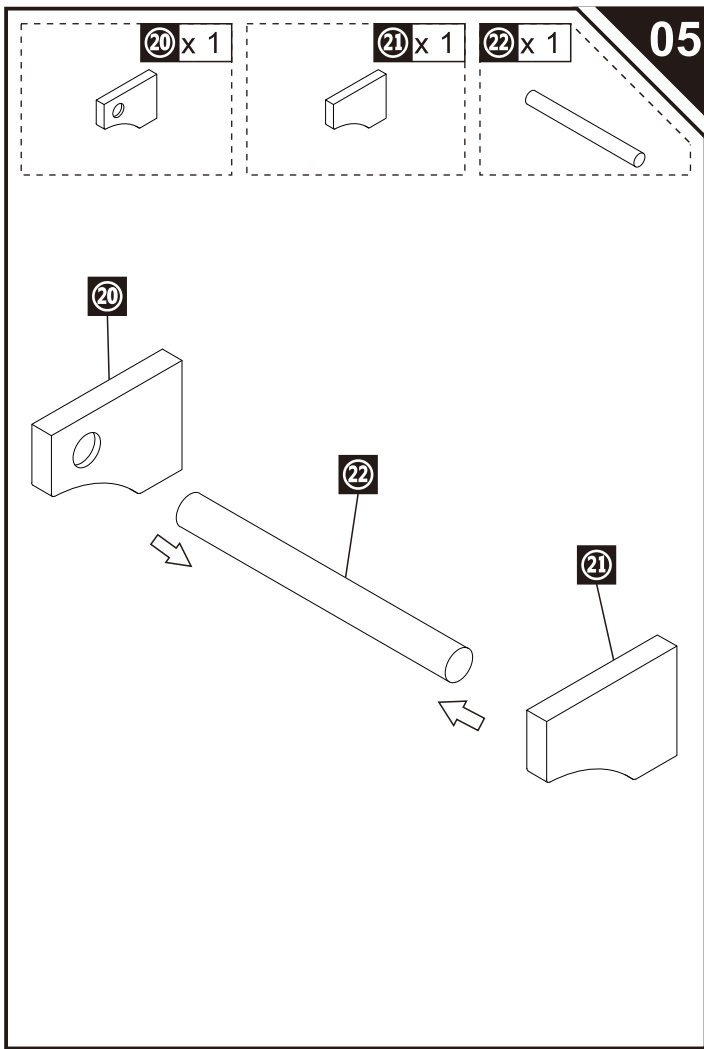


	A x 24		G x 2		M x 2
	B x 24		H x 1		N x 2
	C x 20		I x 1		O x 4
	D x 8		J x 4		P x 1
	E x 4		K x 2		Q x 2
	F x 19		L x 2		R x 1

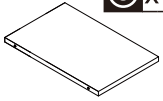
M4*35
M4*30
M3*12

M4*20
M5*40





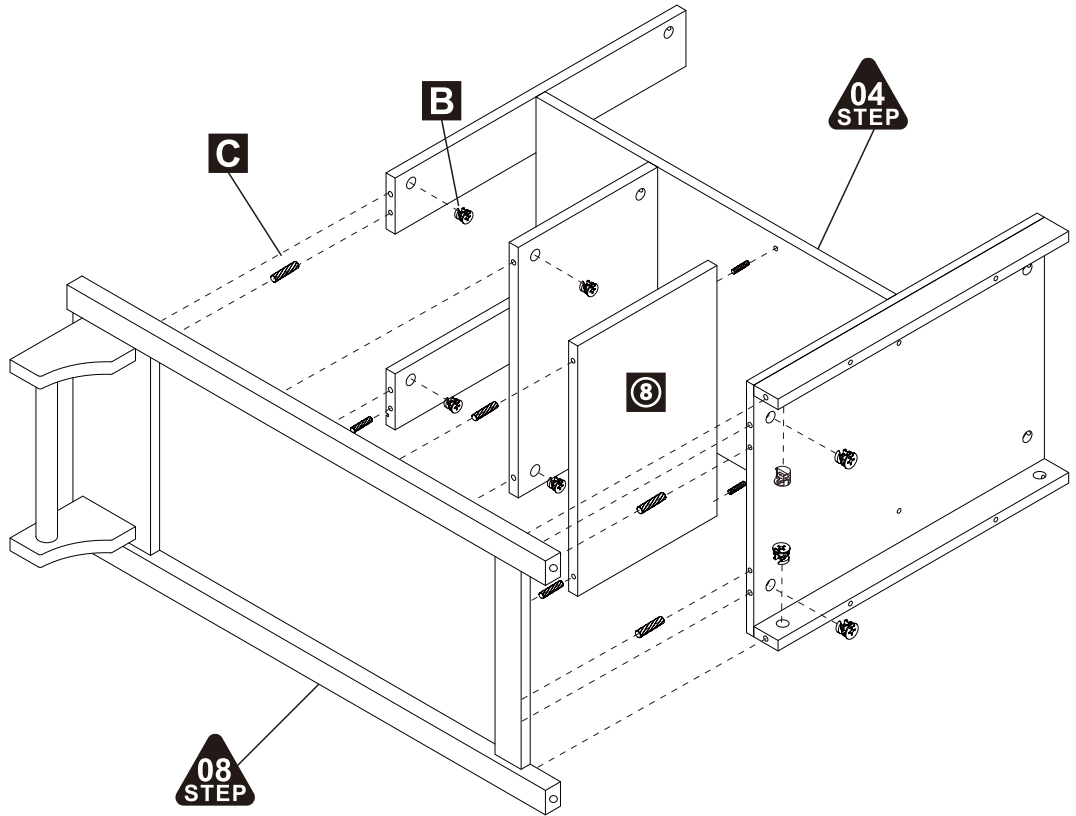
⑧ x 1



B x 8



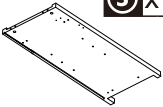
C x 8



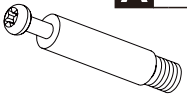
04 STEP

08 STEP

③ x 1



A x 6

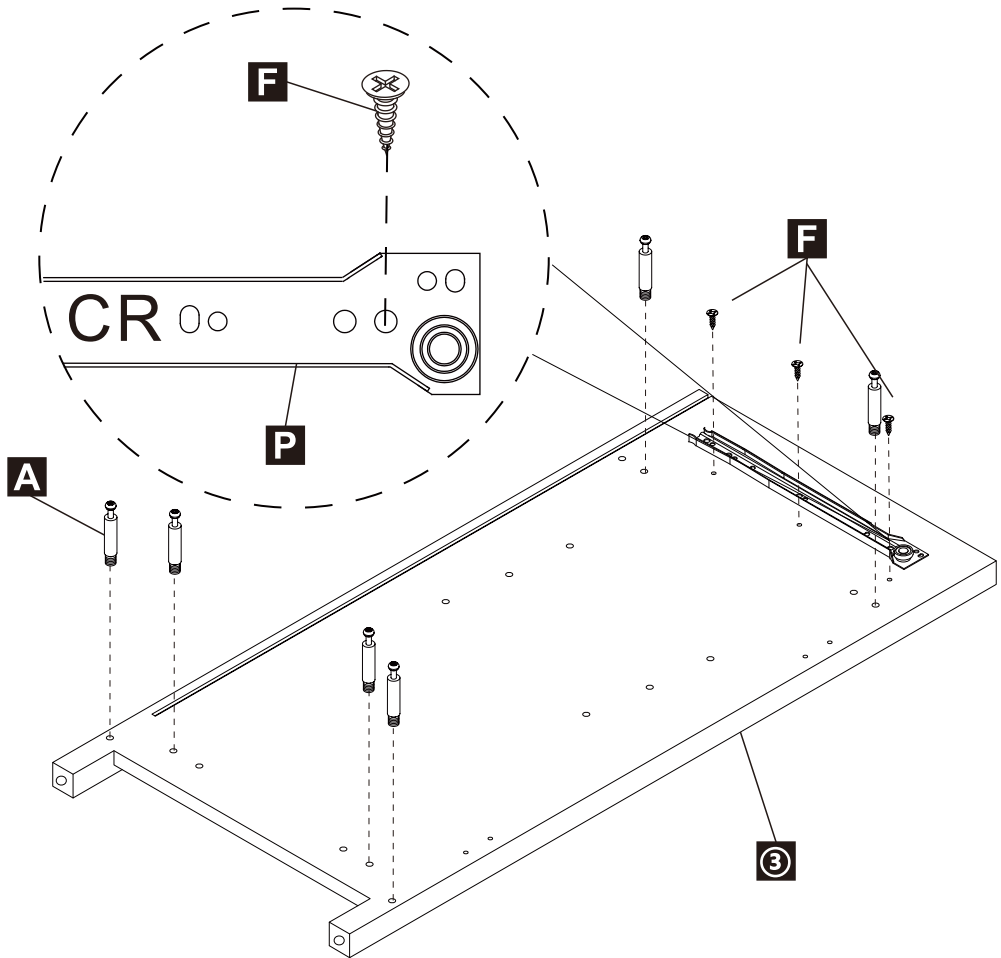


F x 3



M3*12

P x 1



A

F

CR

P

F

③

