

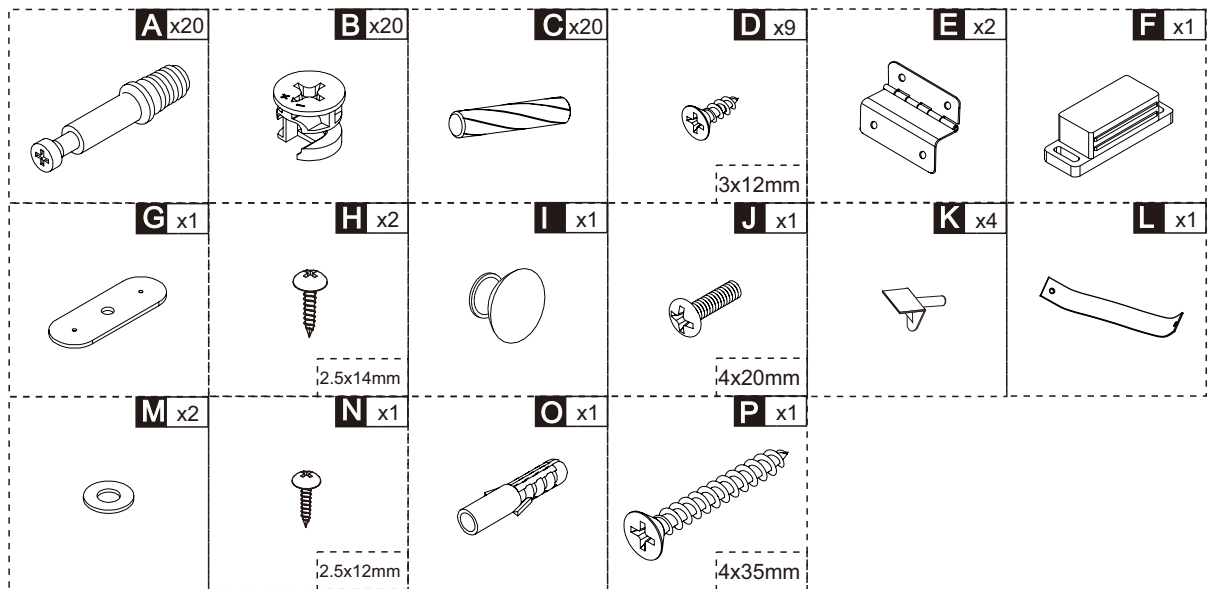
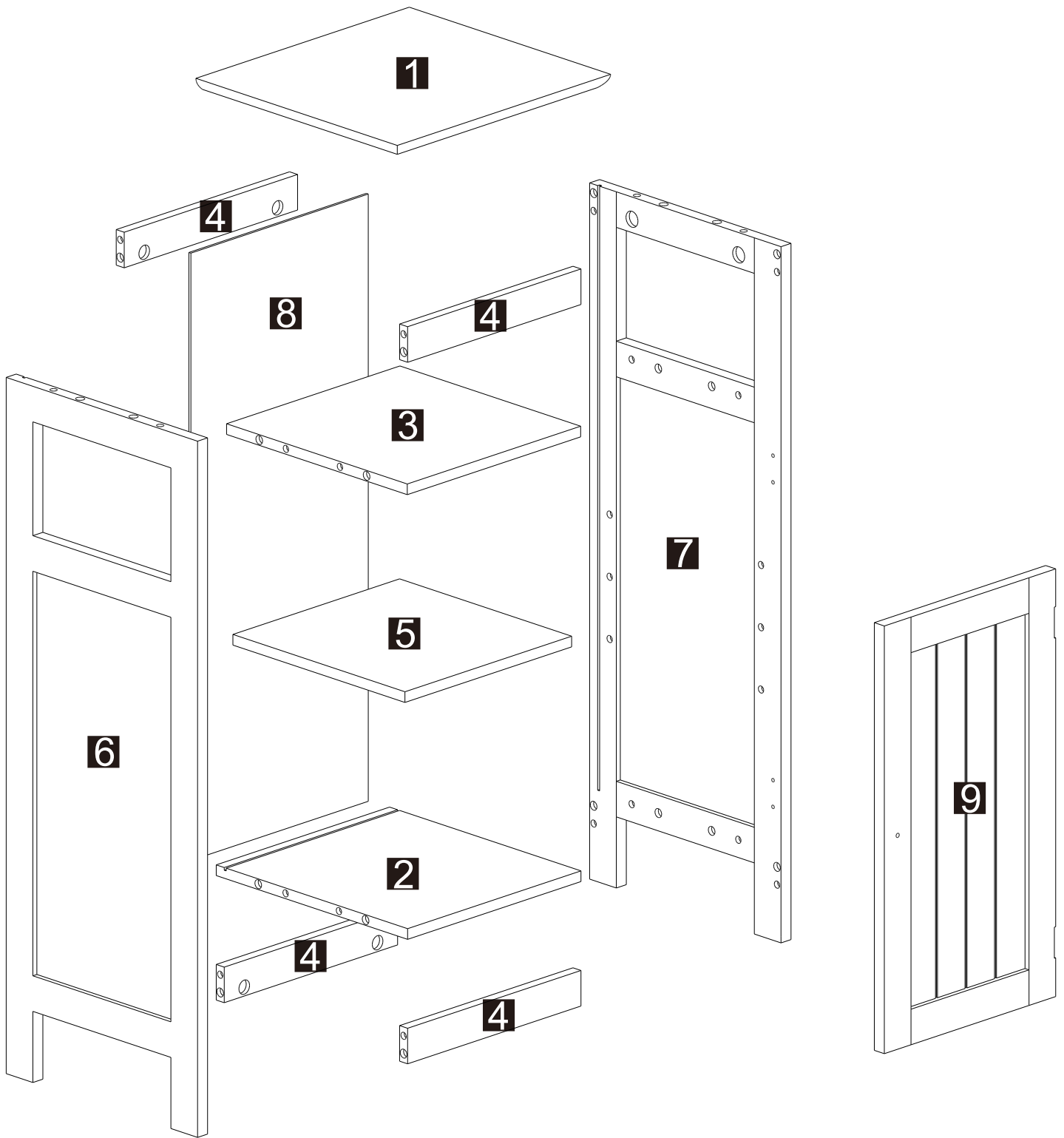
**Attention please :**

**Improper use of screws may cause the product surface damage!  
Please be careful when installing.**

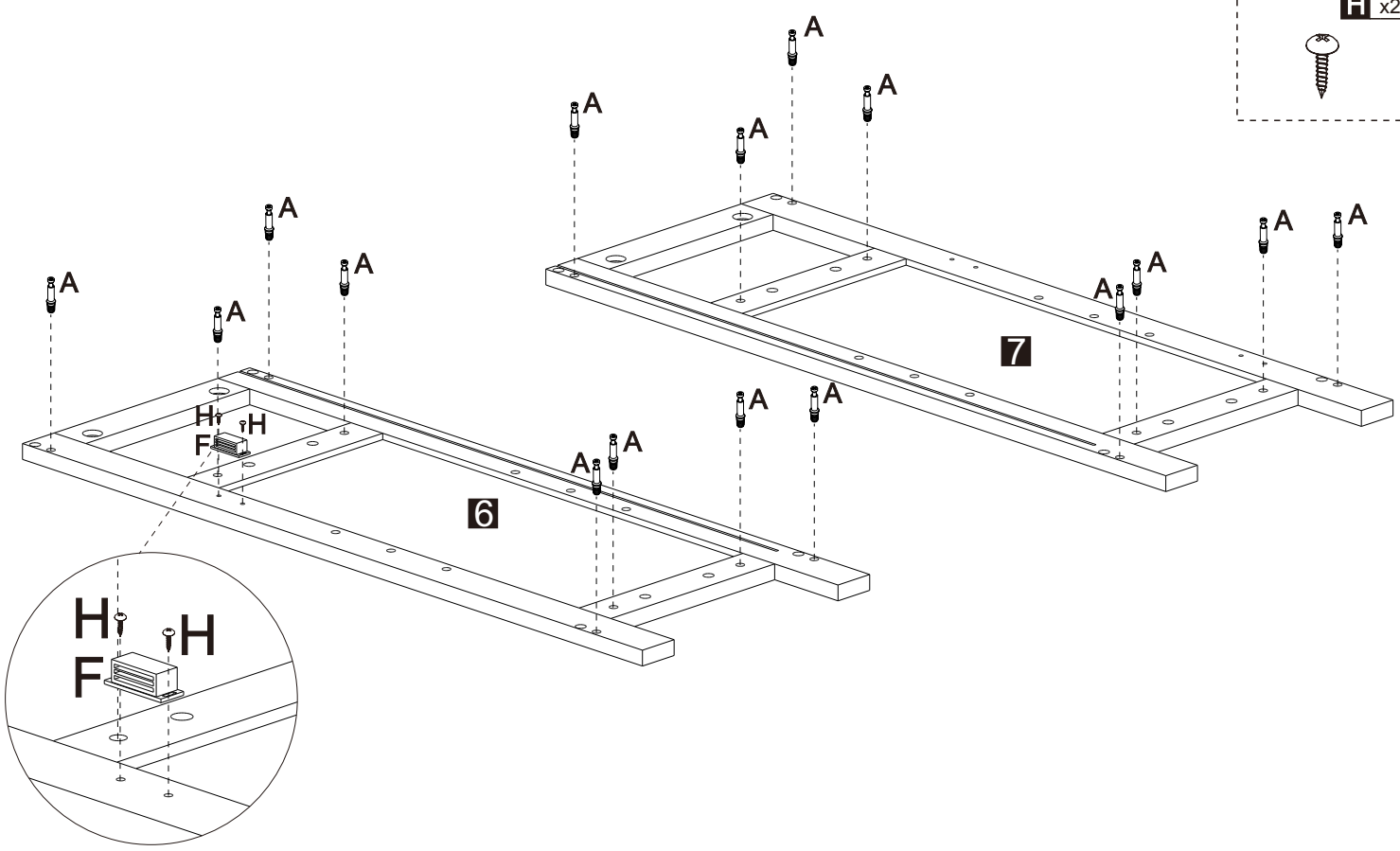
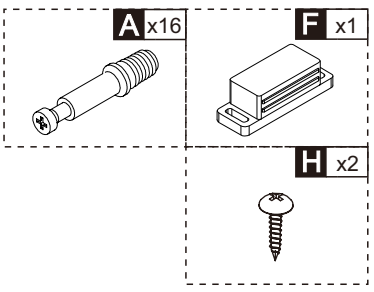
**To prevent you from confusing the accessories and boards, Please do not mix the parts of different units when you buy two or more products at the same time.**

**READ AND SAVE THIS INSTRUCTIONS FOR FUTURE USE**

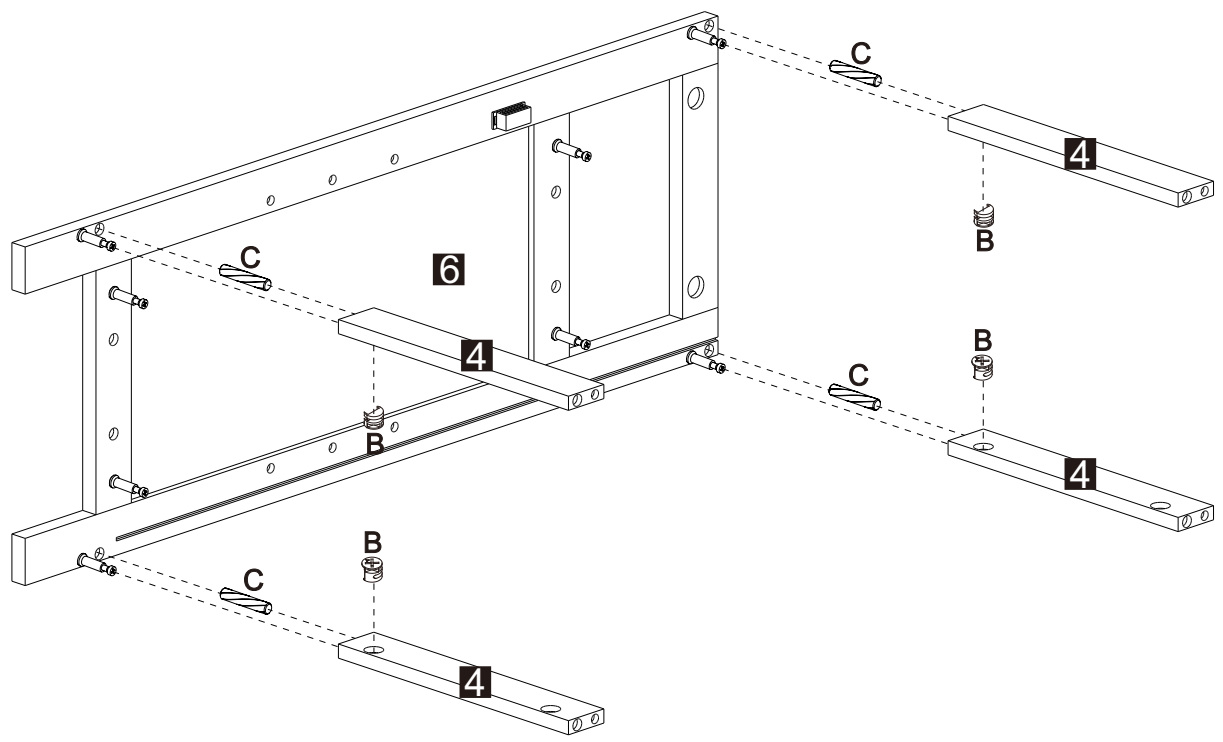
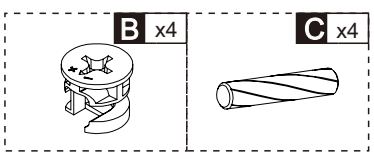
**ASSEMBLY & INSTRUCTION MANUAL**



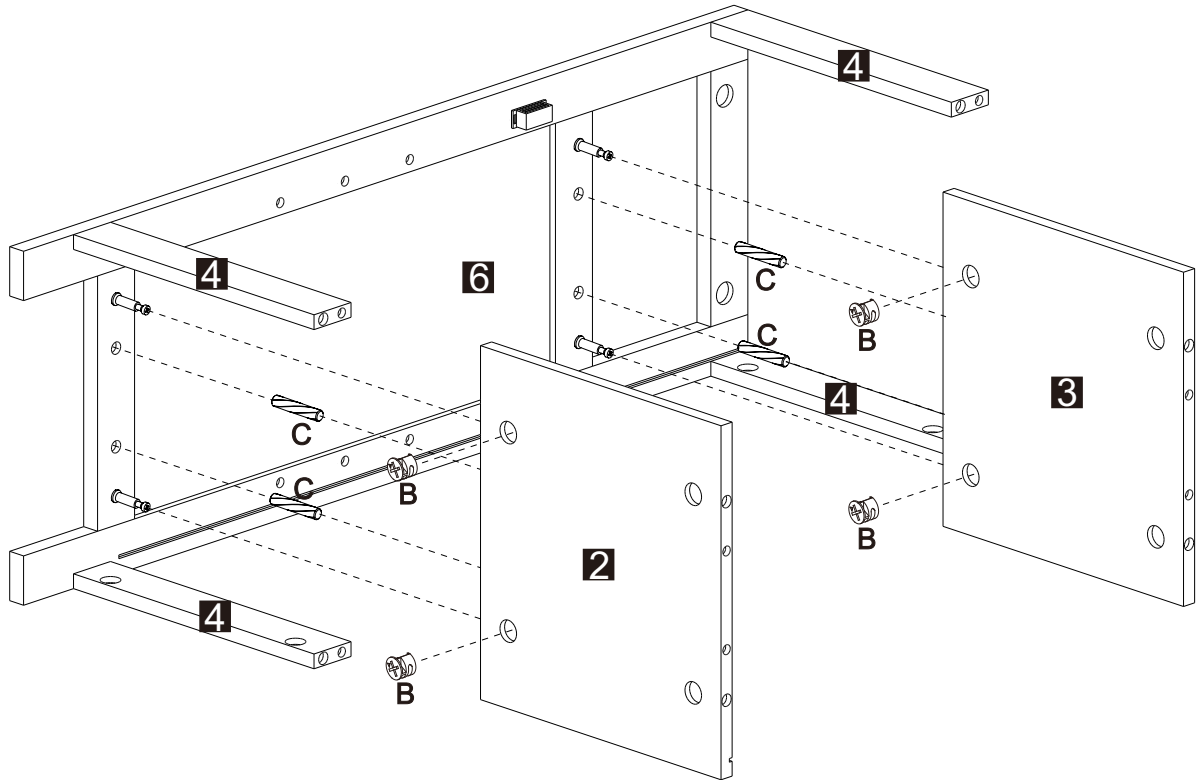
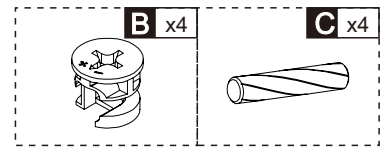
1



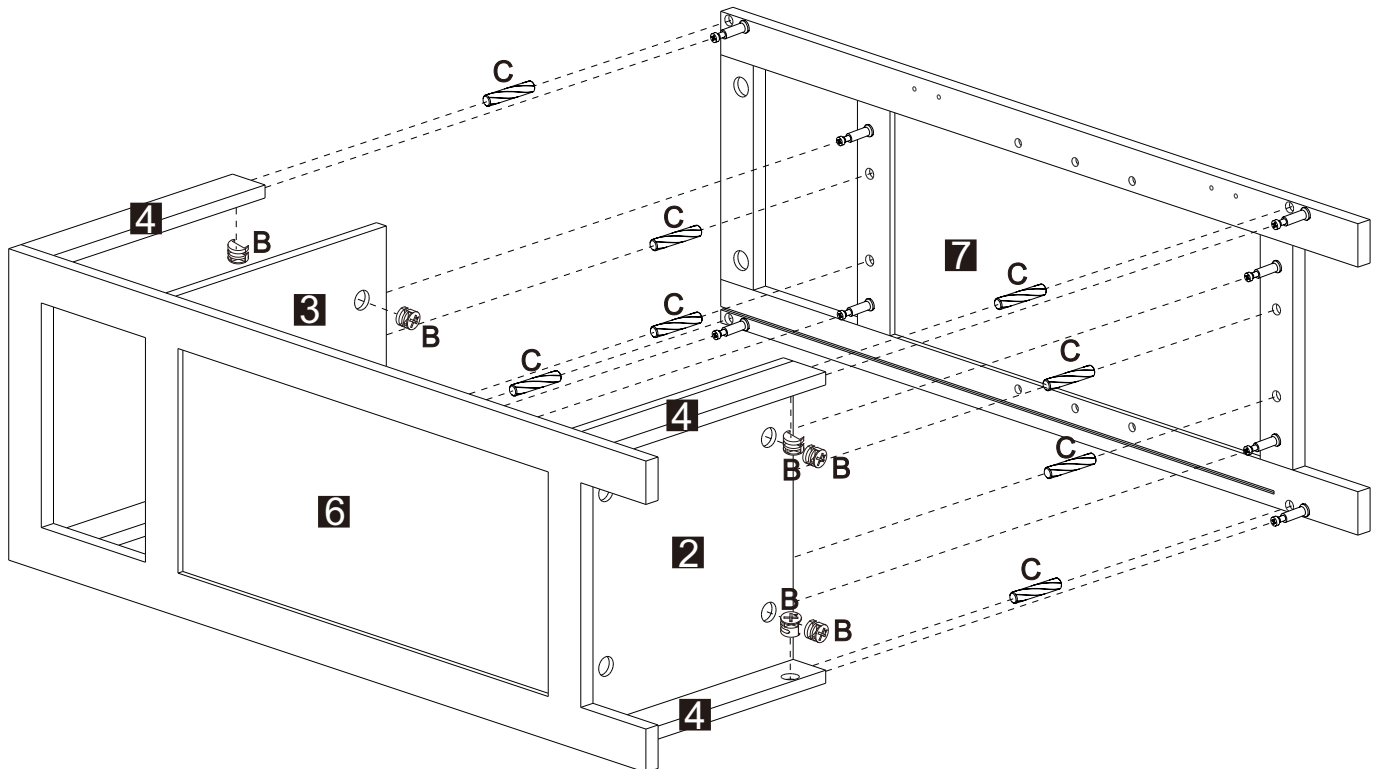
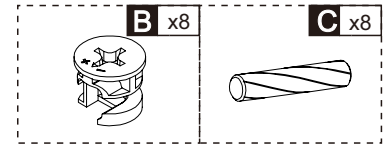
2



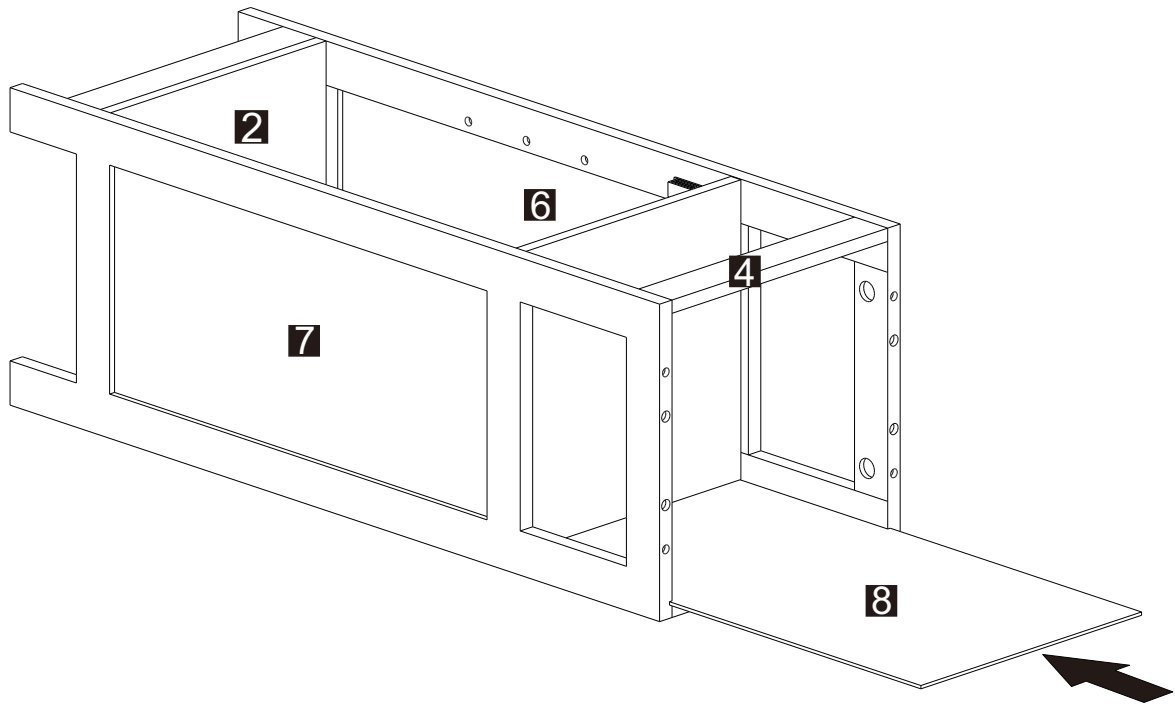
3



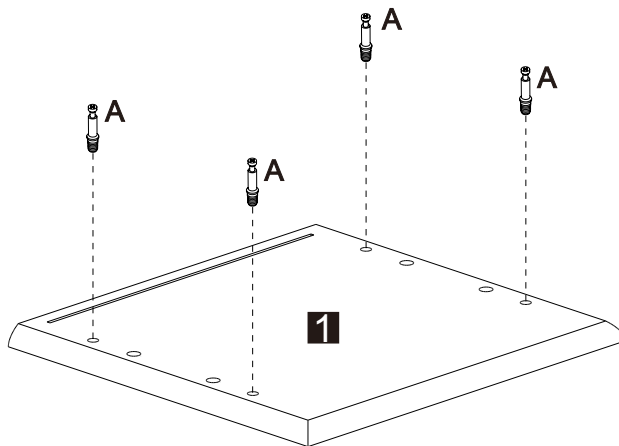
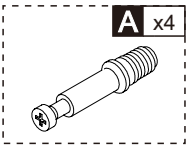
4



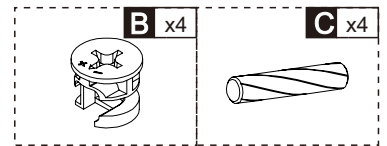
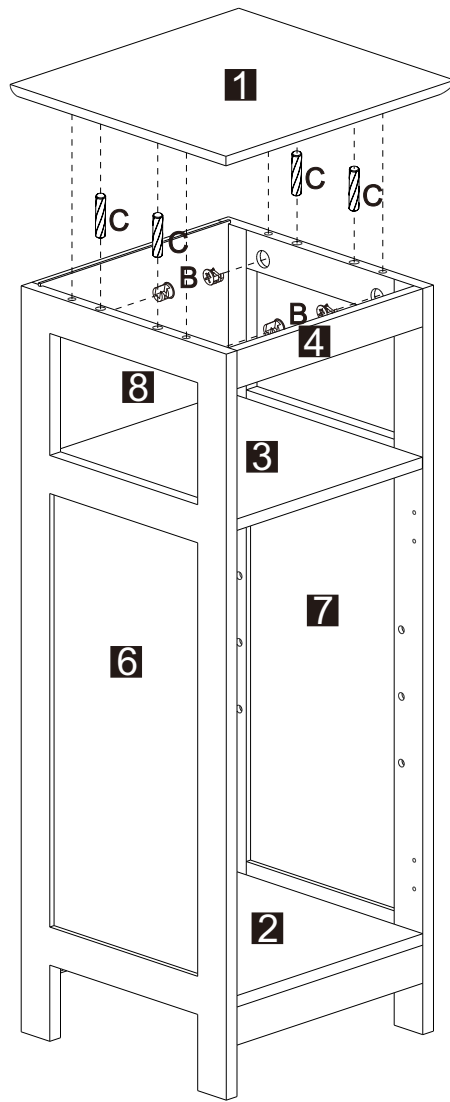
5



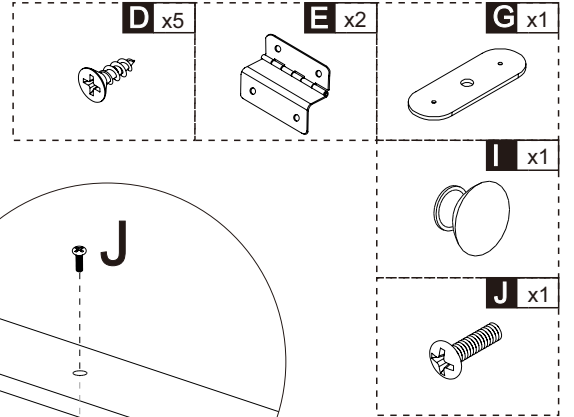
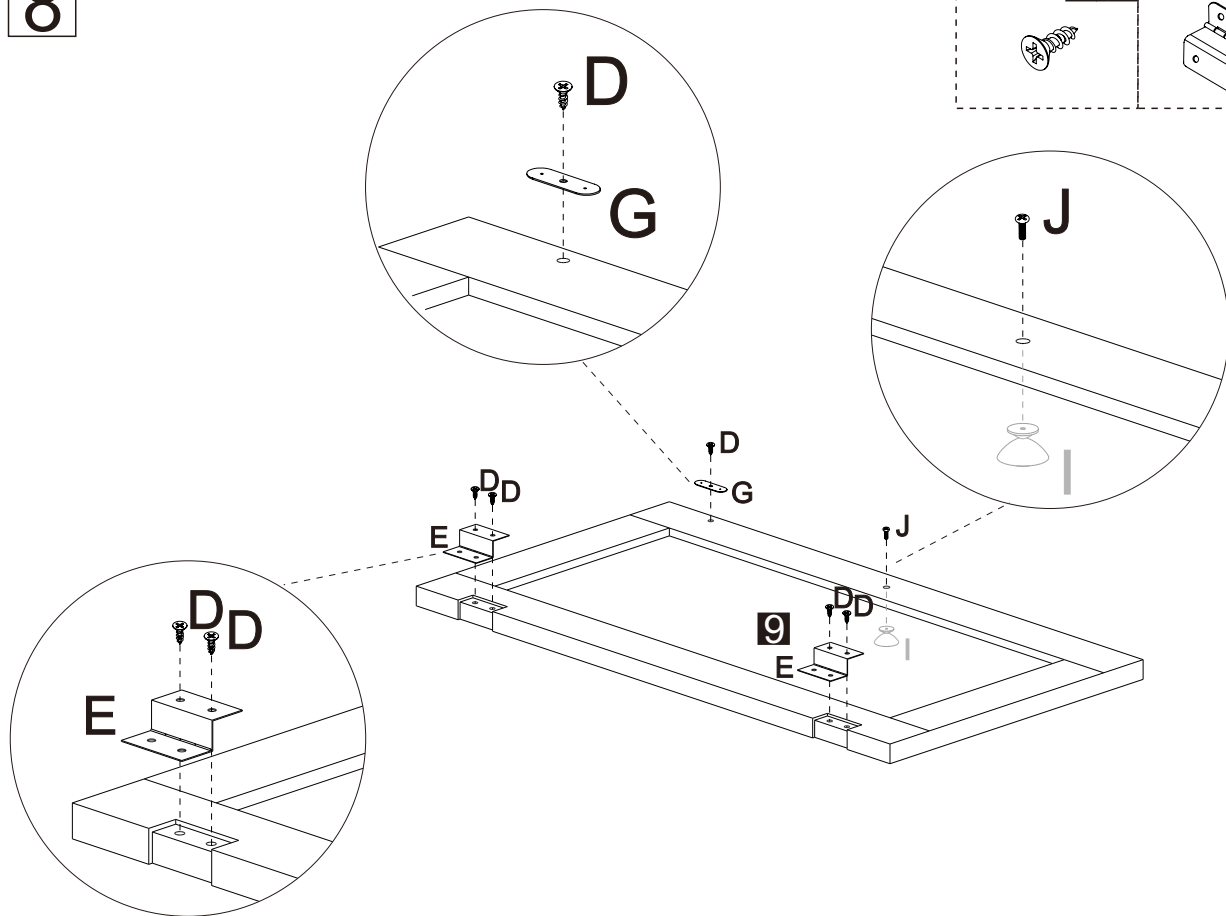
6



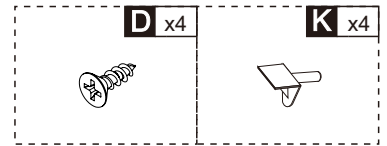
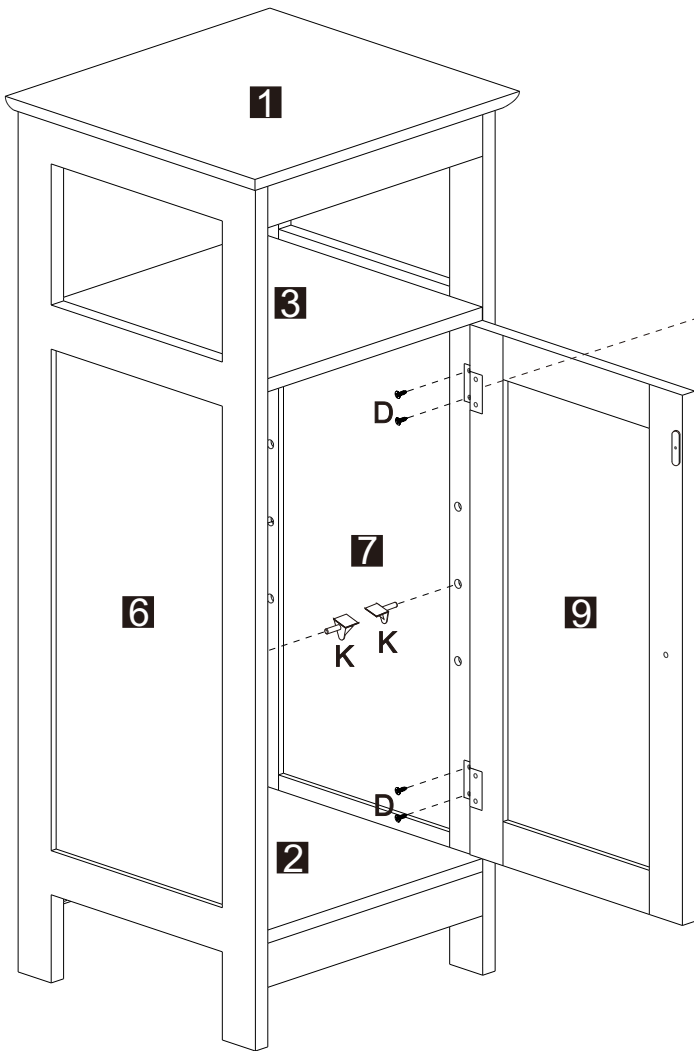
7



8



9



10

