
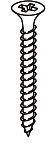




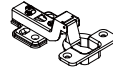





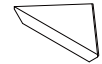






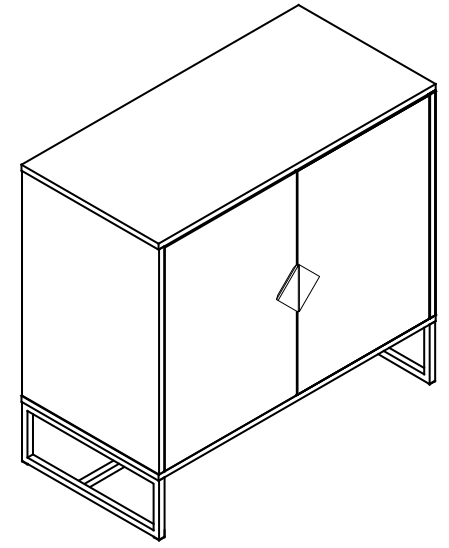
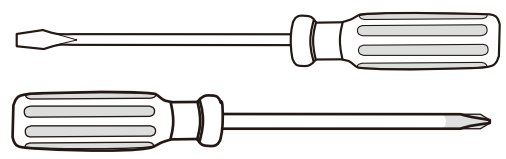


A	B	C	D	E	F	G	H
							
dowel x12	screw x4	bolt x8	locking nut x8	screw x7	screw x24	hinge x4	Allen Key x1
I	J	K	L	M	N		
							
buffer plate x2	wedge x8	screw x8	bolt x4	handle x2	handle screw x4		

Hardware Supplied

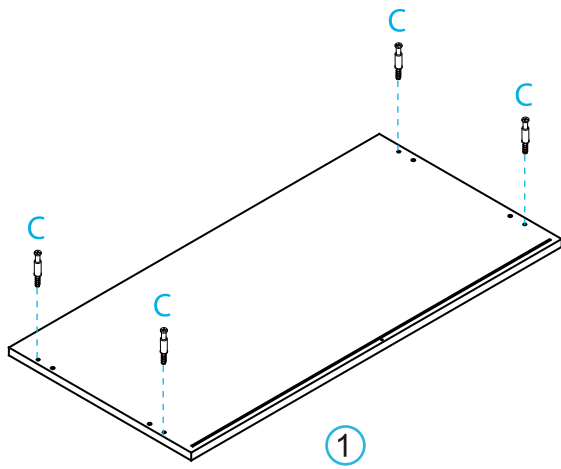
V	W	X	Y	Z
				
safety strap x1	screw x1	wall anchor x1	wall screw x1	washer x2

Wall Strap

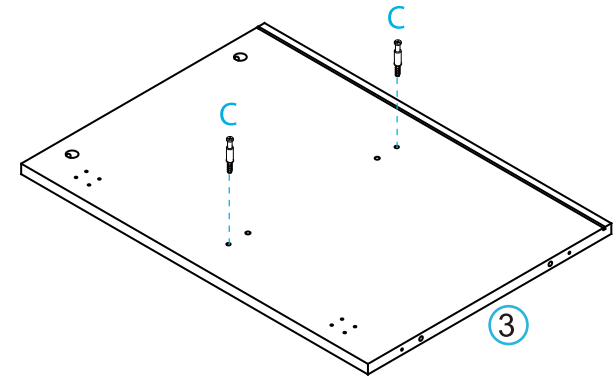
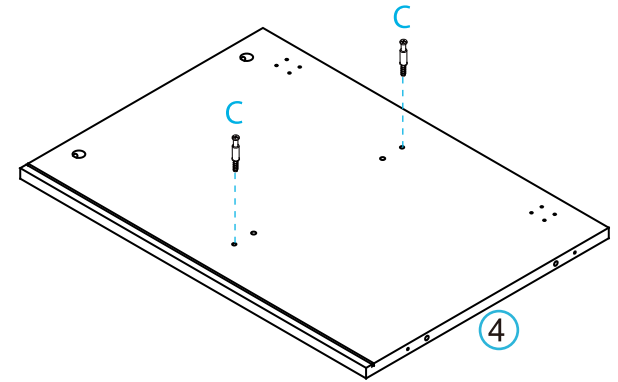


Attention please:
Improper use of screws may cause the product surface damage!
Please be careful when installing.

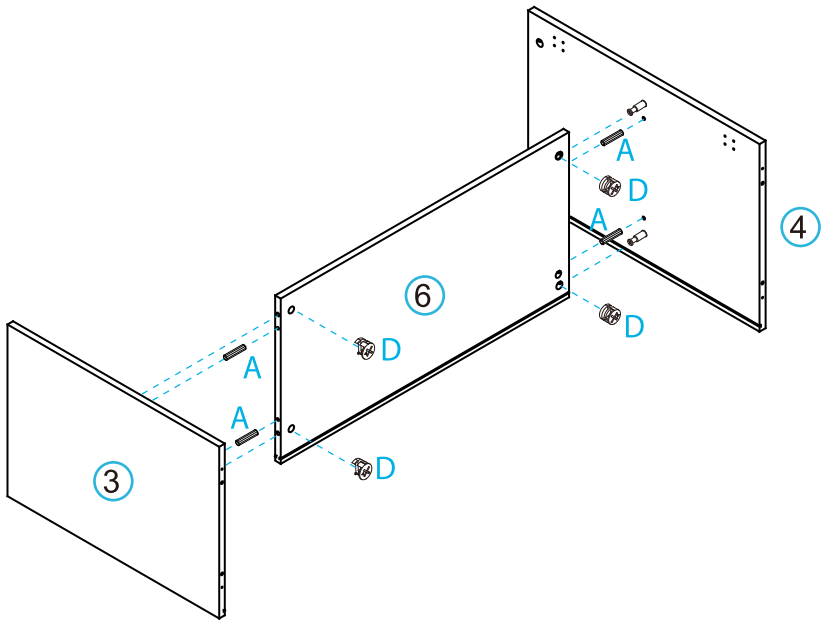
1



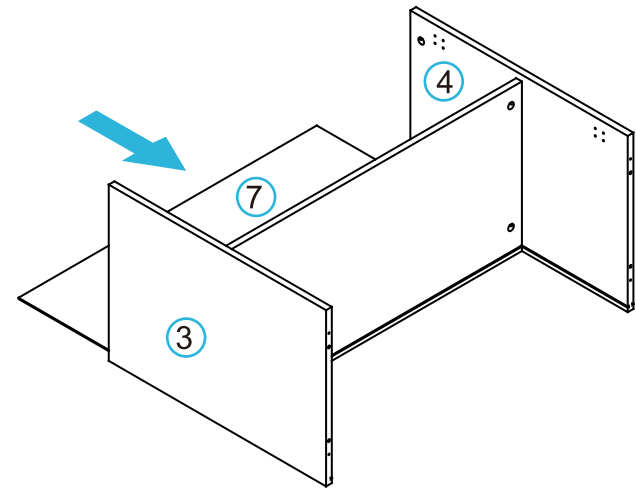
2



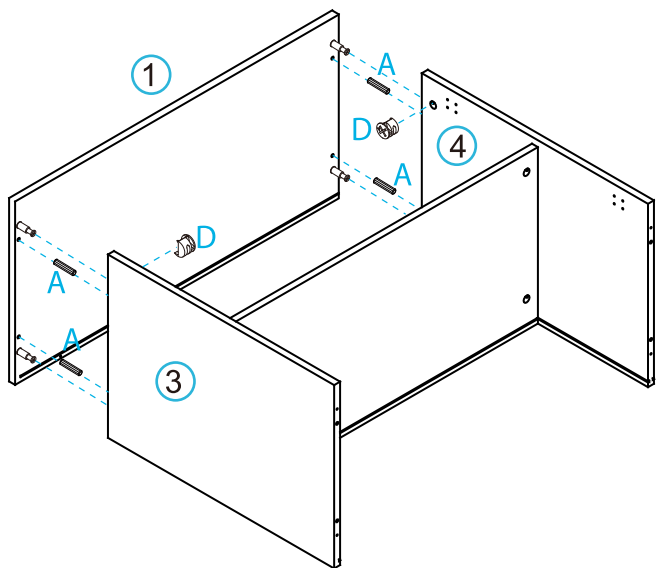
3



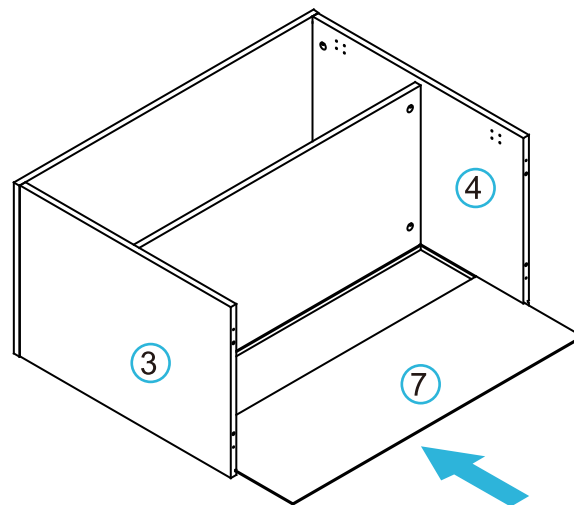
4



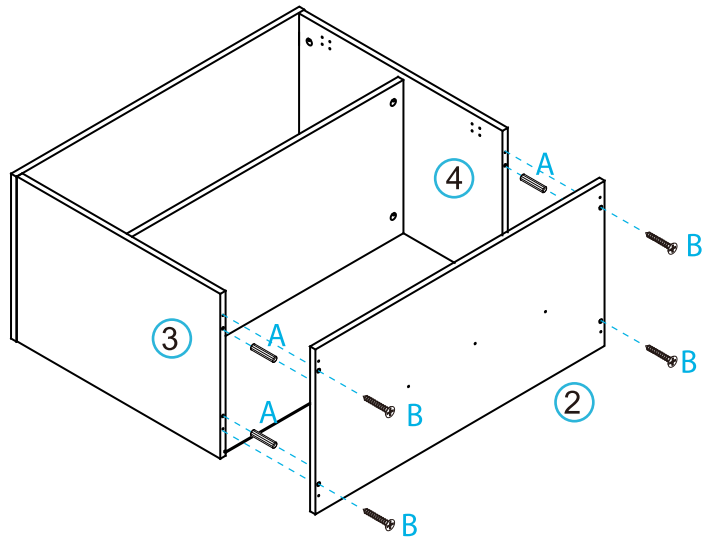
5



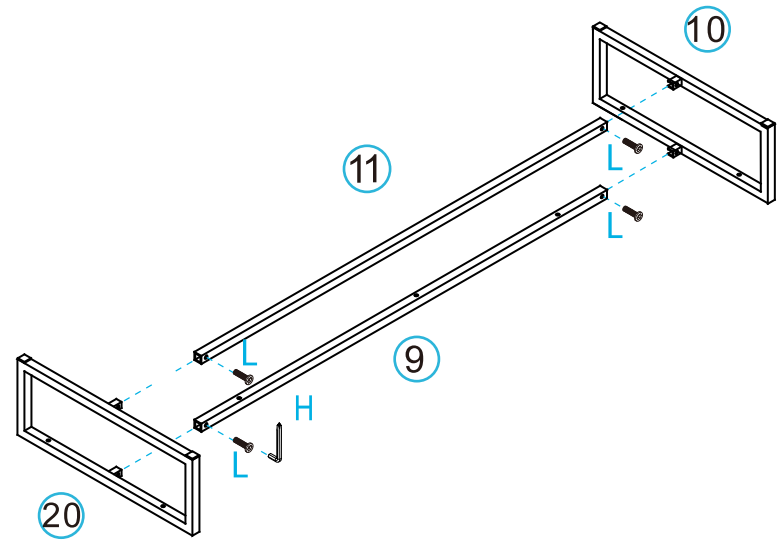
6



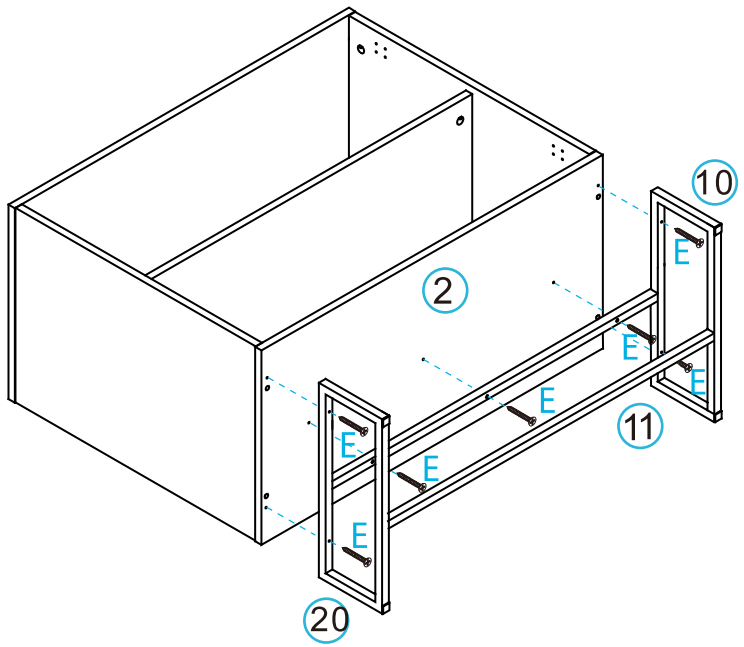
7



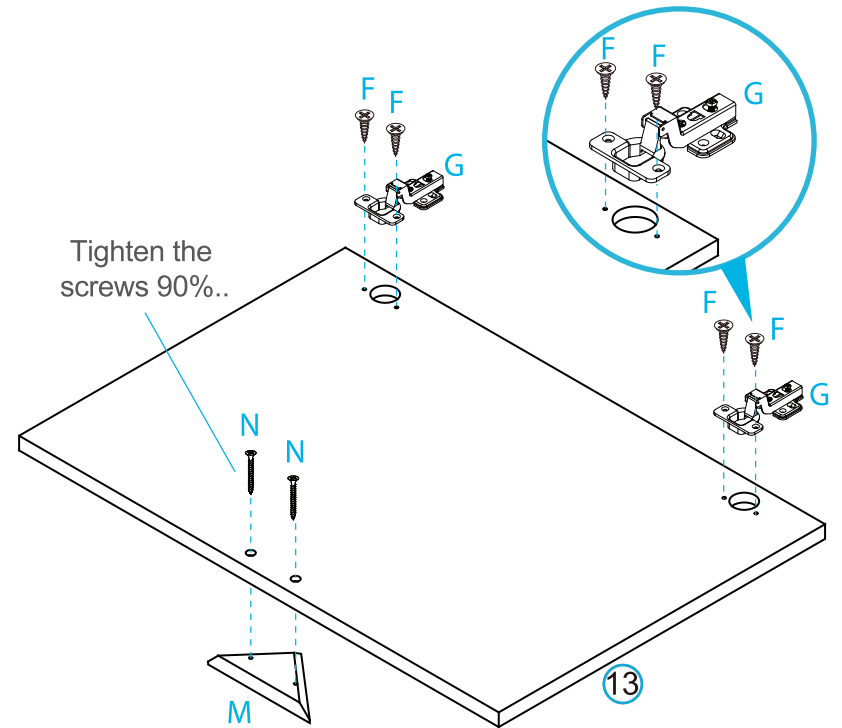
8



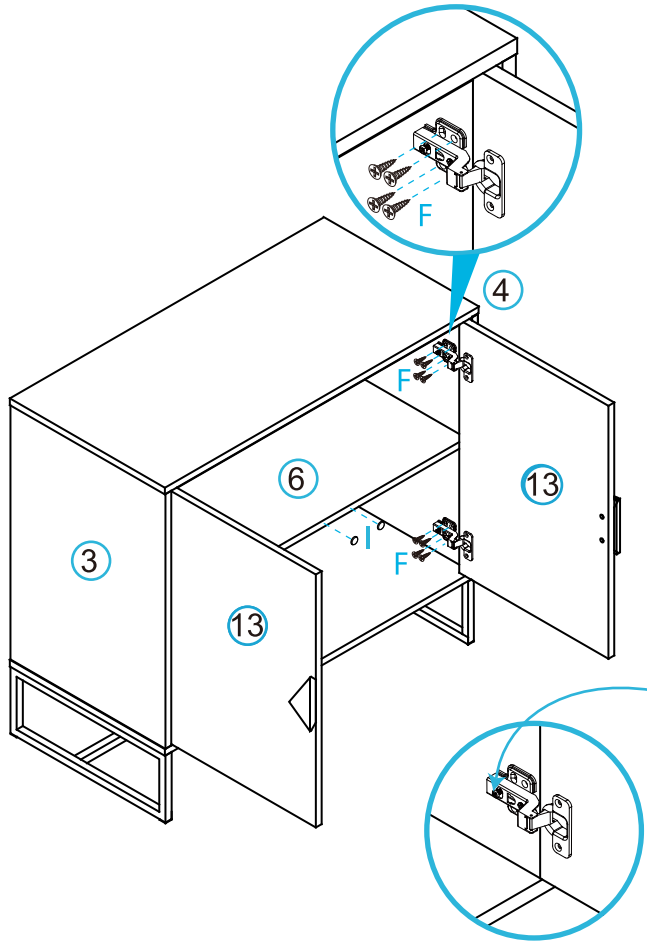
9



10 Door x 2

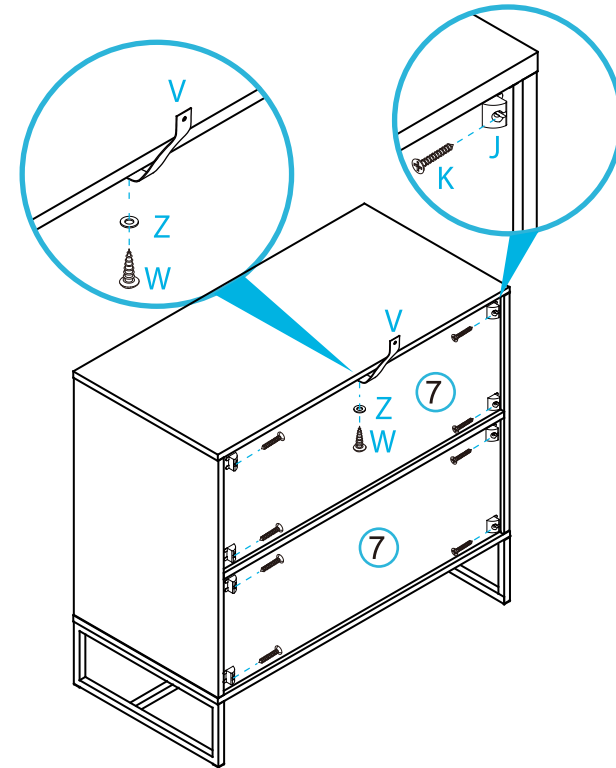


11

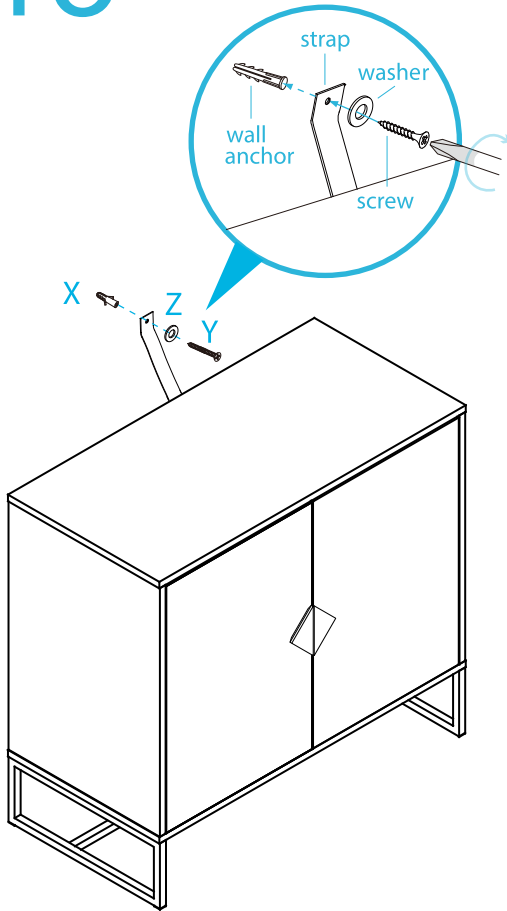


NOTE: If the doors are uneven or there is a gap in the middle, loosen or tighten the screw on the door hinge until they are sitting flush.

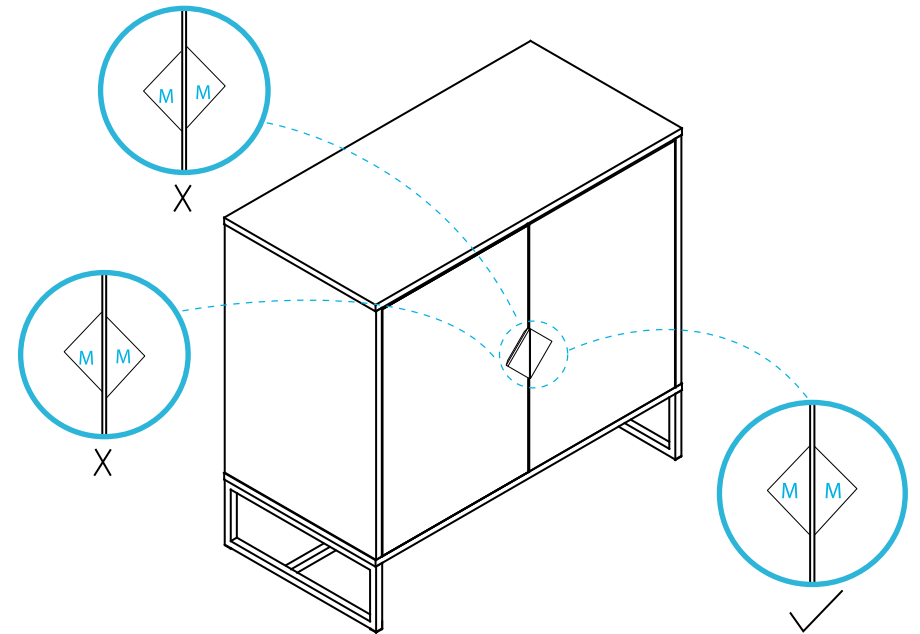
12



13



14



After installation, if the two handles are not aligned, loosen the screws in the back, adjust the two handles to align them, and then tighten the screws back up.