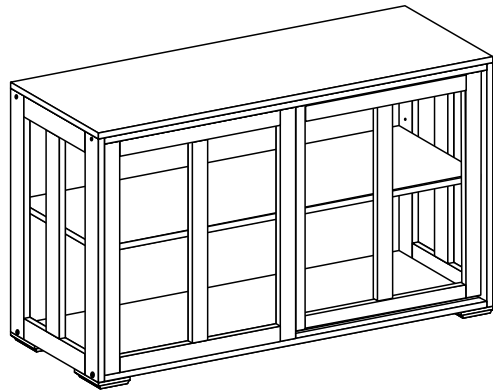


CUPBOARD

Assembly Instructions

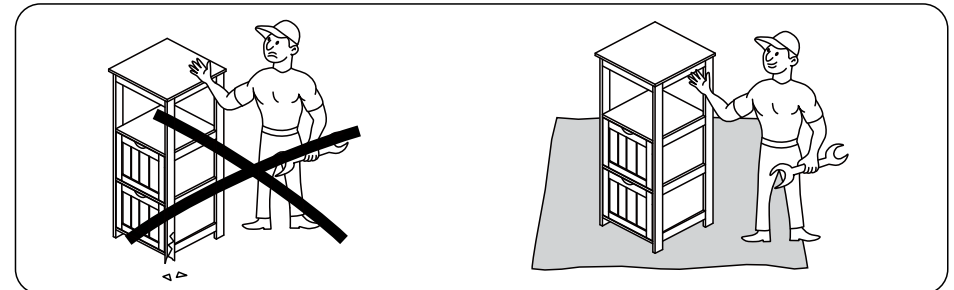
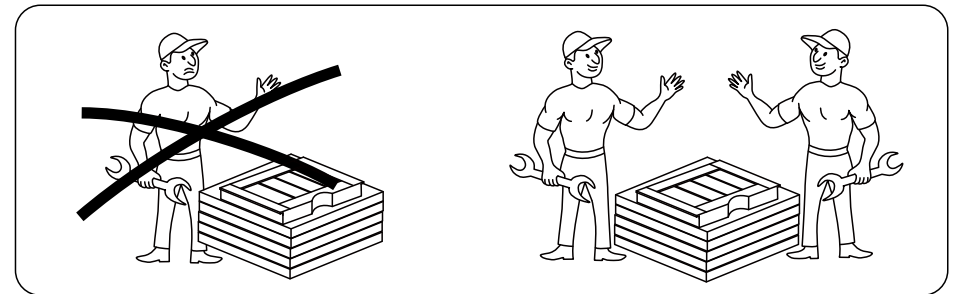


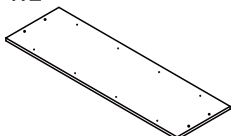
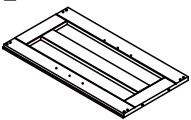
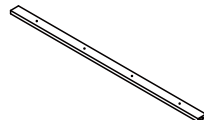
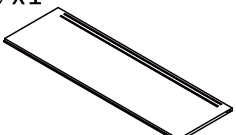
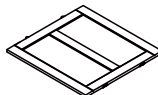
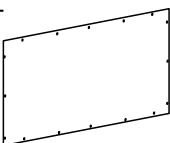



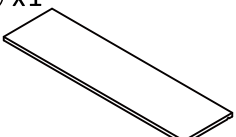
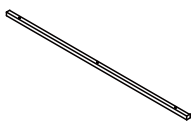


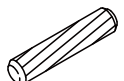



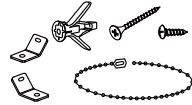
Dear Customers,

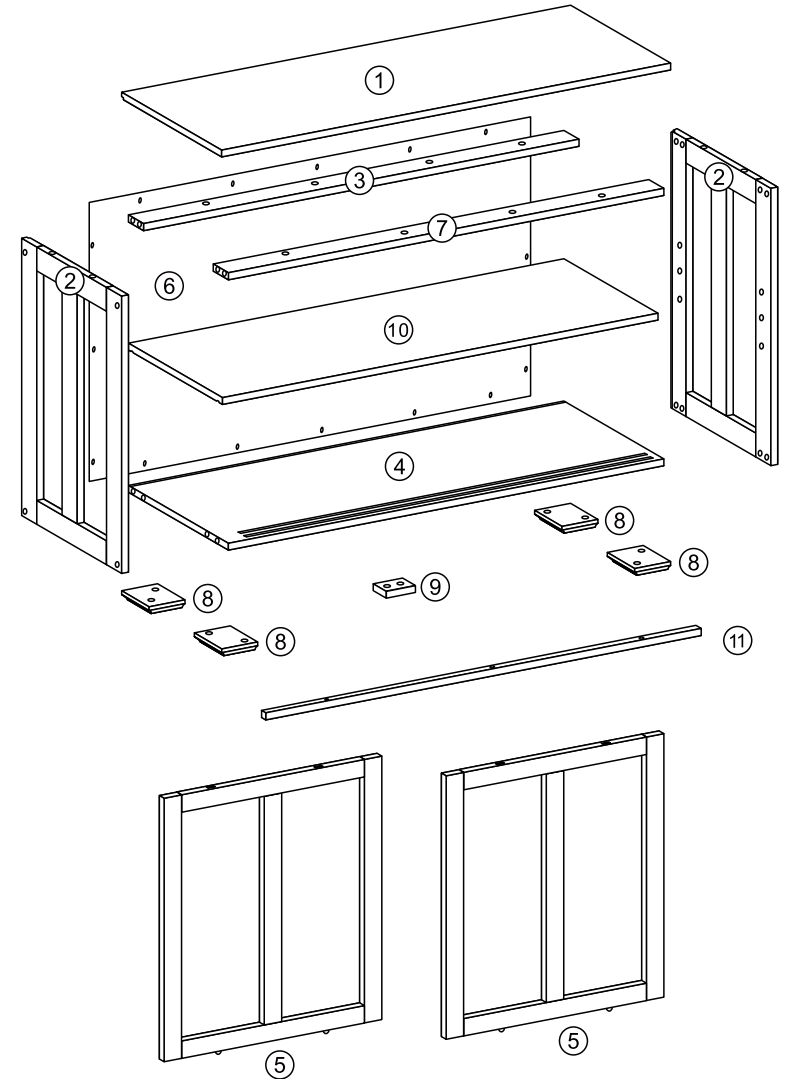
Thank you for purchasing our product. Please read this instruction manual carefully after receiving this product. It will help you assemble this product quickly, safely and correctly. You can keep this manual for future reference.

USAGE AND SAFETY INSTRUCTION




- Please read the following instructions carefully and use the product in accordance with the manual.
- Keep the instruction well. Please give the product along with the Installation and Operating Instructions, if it is for other people to use.
- The warnings, cautions, and instructions listed in this manual may not cover all possible situations that may arise when using the product.
- This product is not a climbing frame for children's play, which could result in injury. Please do not leave children unattended.
- Check the item for possible damages before use. Do not use it if it is bent, cracked, or damaged.
- Improper loading can cause a tilt of the item.
- The normal functioning of the product can be guaranteed when it is in a vertical and horizontal position. Please always position the product on a level surface.
- Do not place the product near the fire or heat sources! Caution Fire Hazard
- Be careful of your hands when setting up! We recommend wearing protective gloves for assembly.
- Do not use corrosive cleaners for cleaning!
- Improper use of screws may cause the product surface damage! Please be careful when installing and do not use an electric drill !

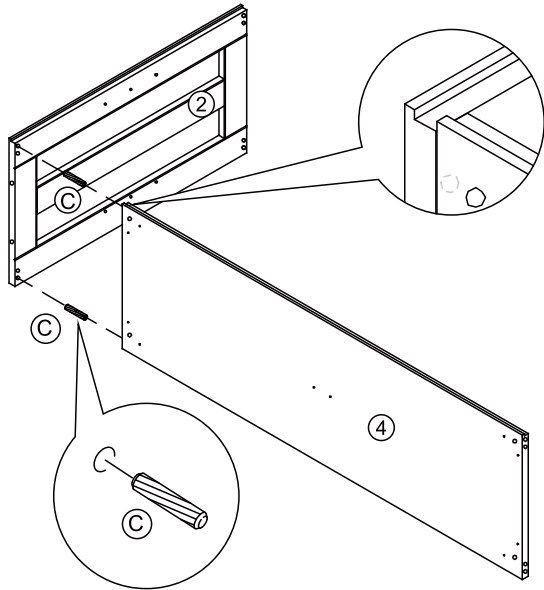


① x1 	② x2 	③ x1 		
④ x1 	⑤ x2 	⑥ x1 		
⑦ x1 	⑧ x4 	⑨ x1 		
⑩ x1 	⑪ x1 	A x8 	B x8 	
C x12 	D x21 	E x4 	F x16 	G x1 





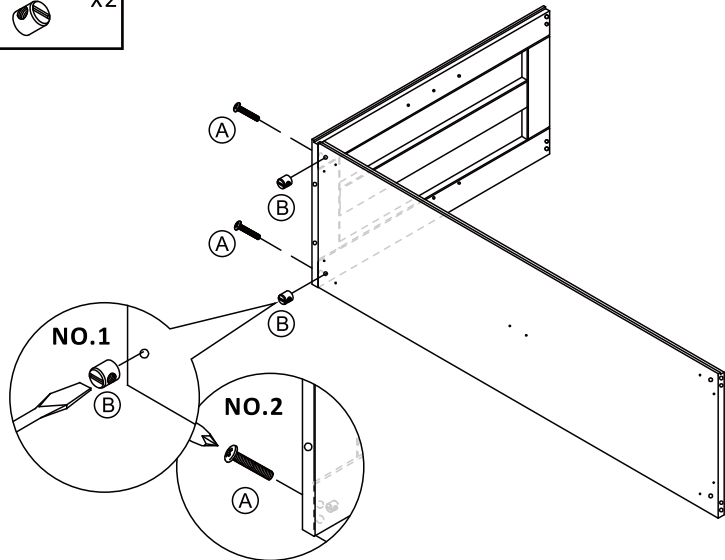
1

②		x1
④		x1
Ⓒ		x2







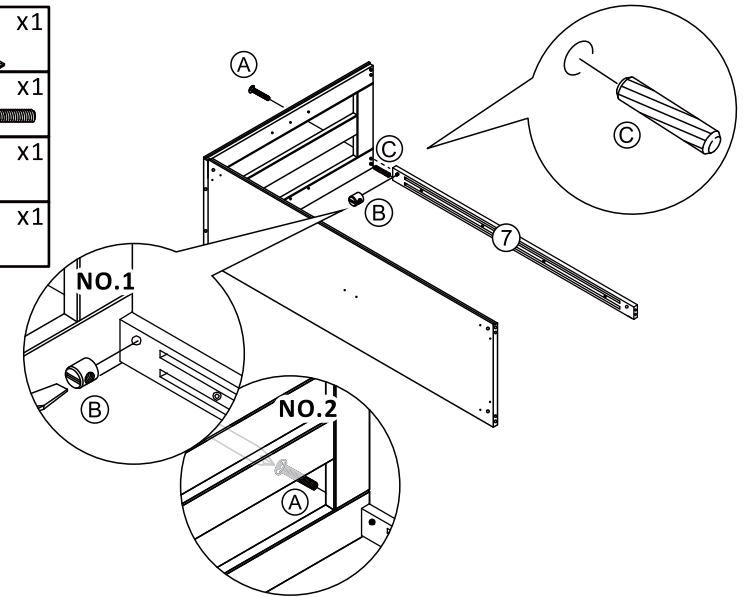
2

Ⓐ		x2
Ⓑ		x2







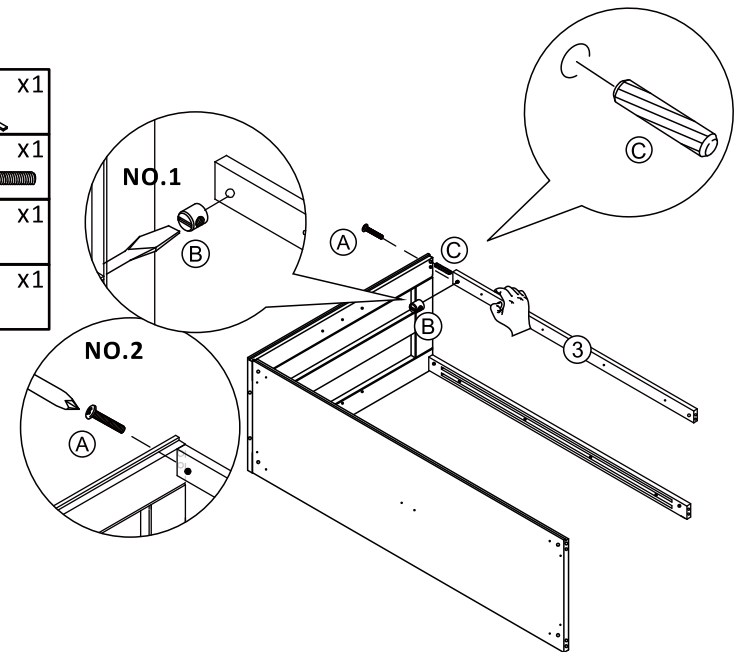
3

⑦		x1
Ⓐ		x1
Ⓑ		x1
Ⓒ		x1





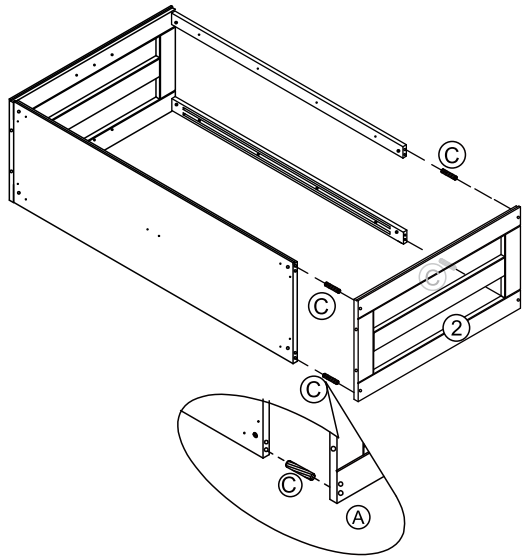
4

③		x1
Ⓐ		x1
Ⓑ		x1
Ⓒ		x1





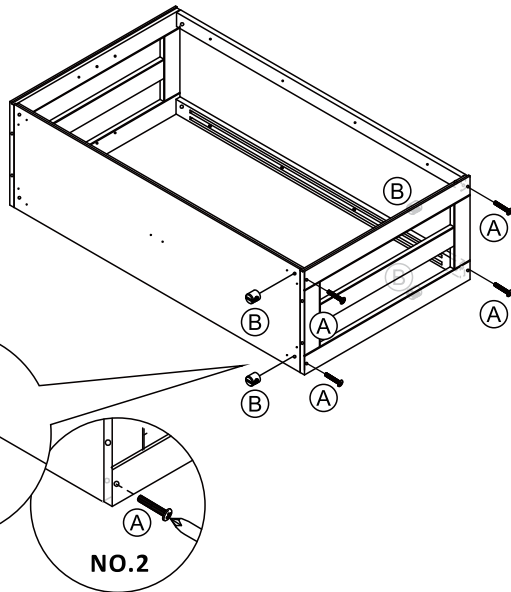
5

②		x1
Ⓒ		x4

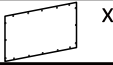




6

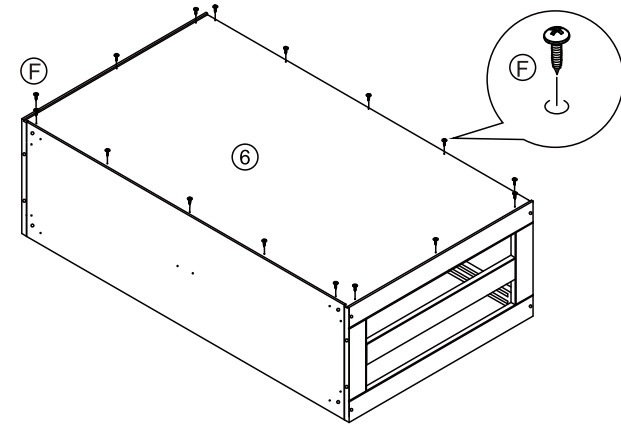
Ⓐ		x4
Ⓑ		x4






7

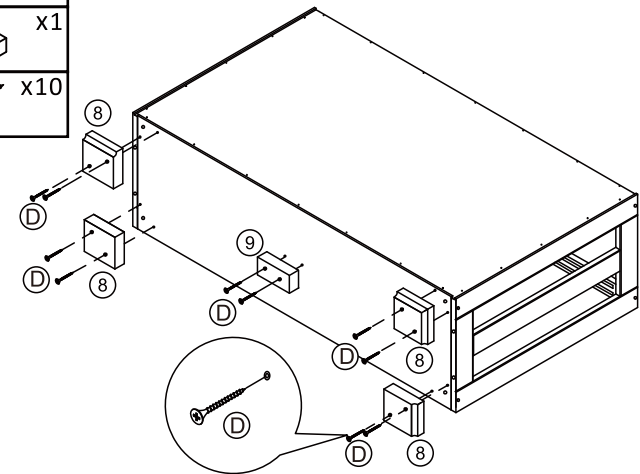
⑥		x1
Ⓕ		x16

 Assemble stackable product
Go step ⑩.

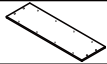
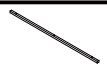
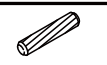
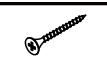


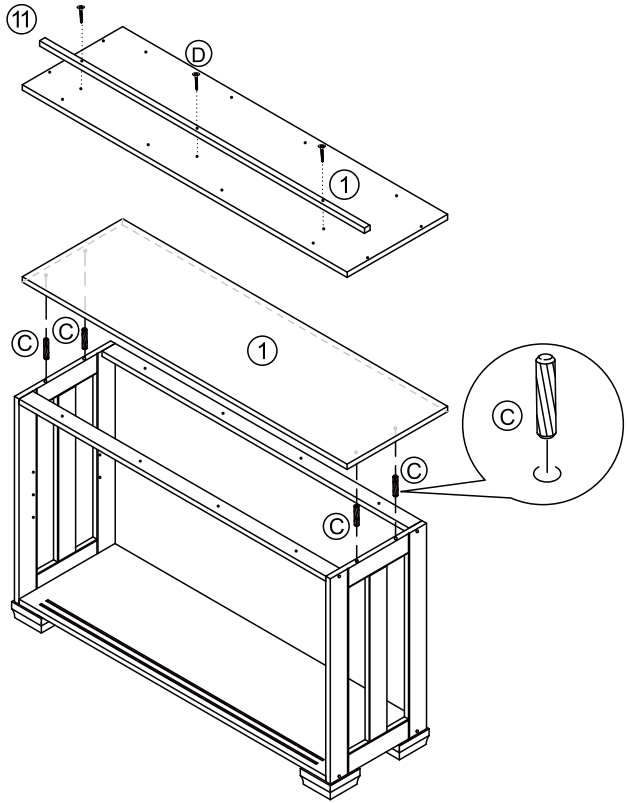
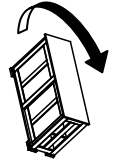
8

⑧		x4
⑨		x1
Ⓓ		x10




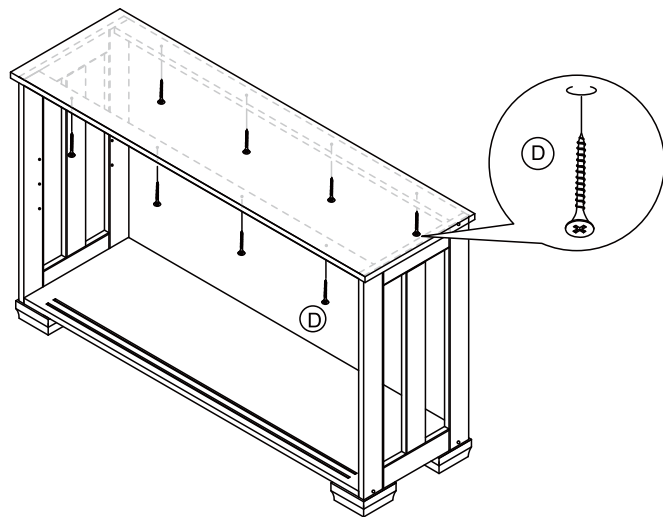
9

①		x1
⑪		x1
Ⓒ		x4
Ⓓ		x3




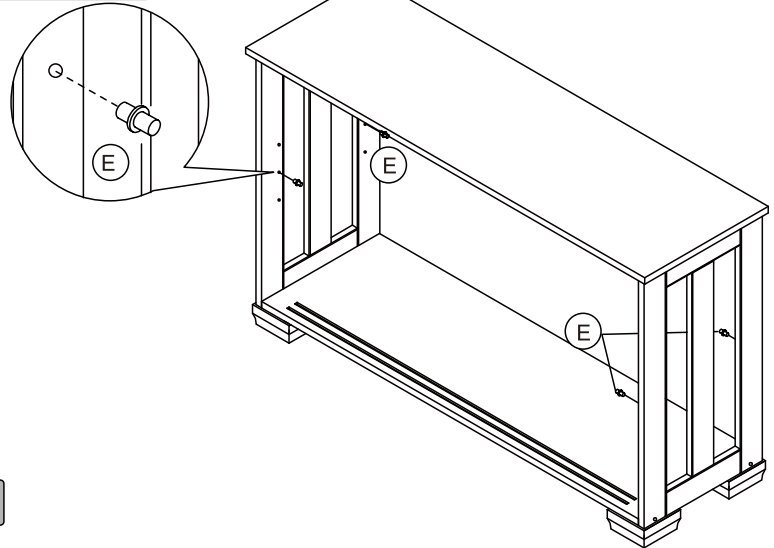
10

Ⓓ		x8
---	---	----



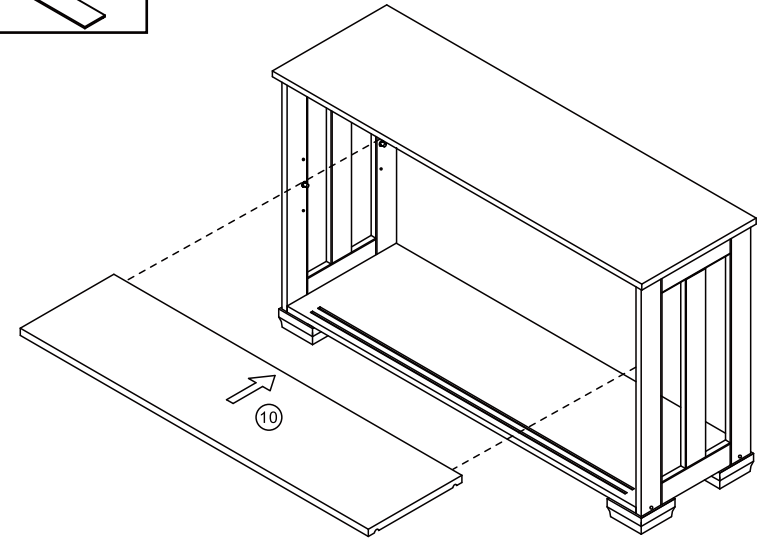
11

Ⓔ		x4
---	---	----

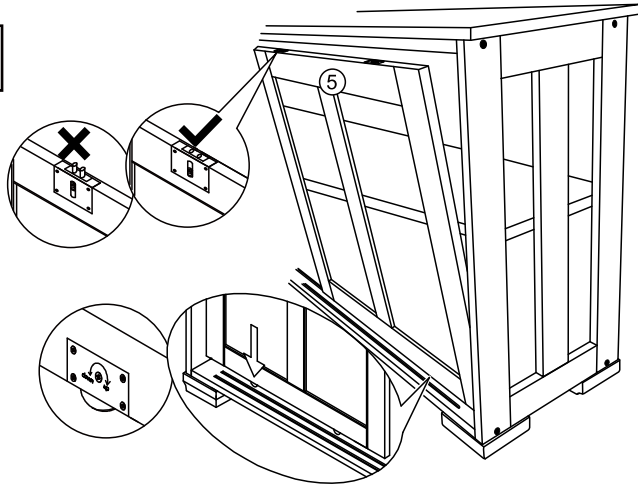
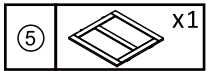


12

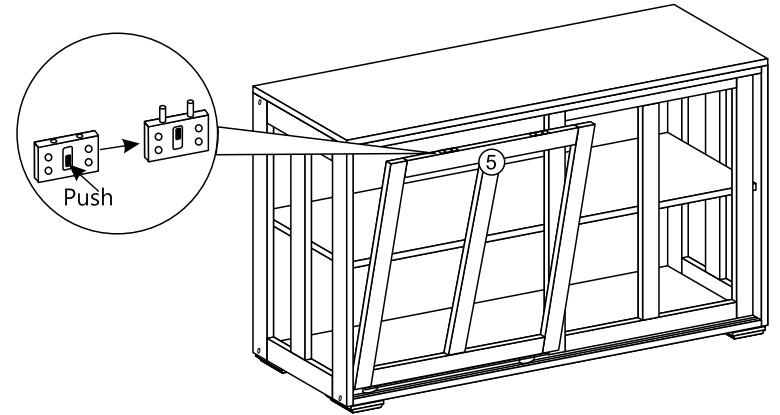
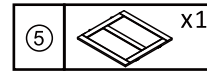
⑩		x1
---	---	----



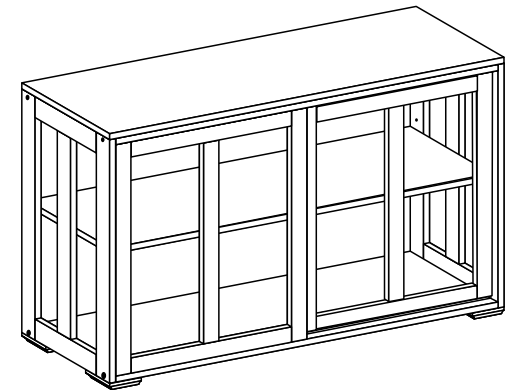
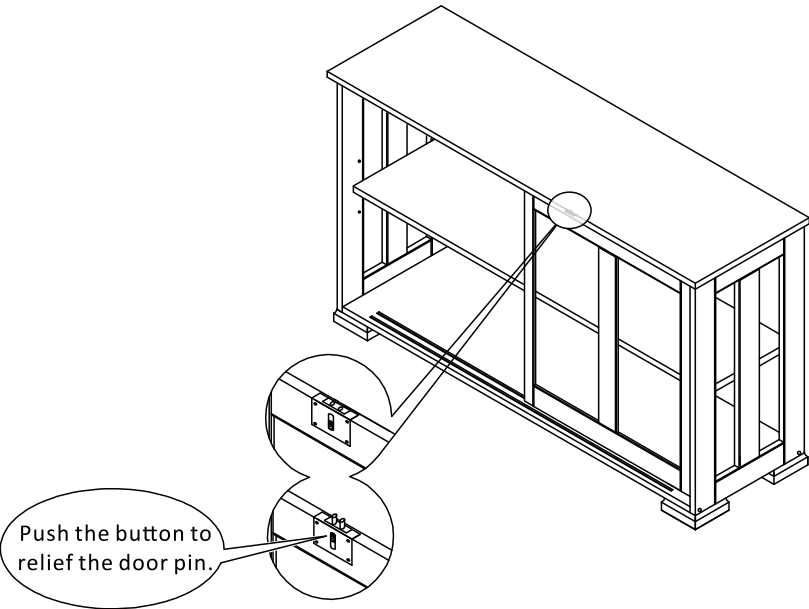
13



15

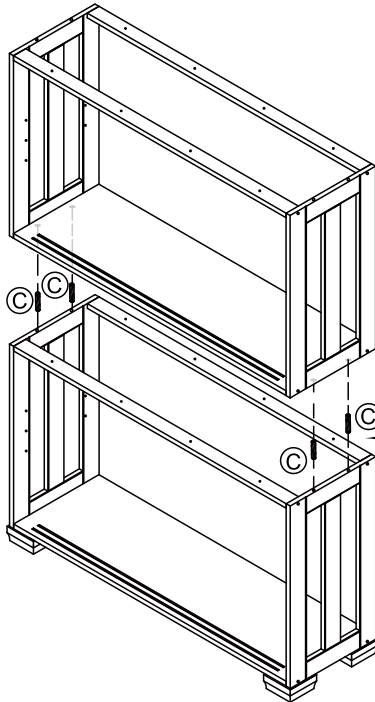
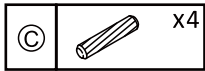



14

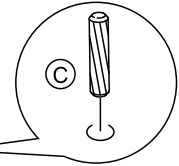



End!

16

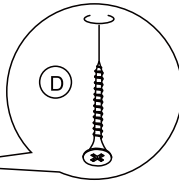
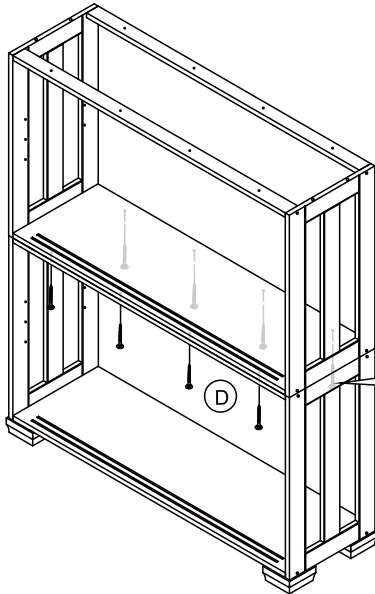
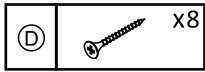


 Note: Please don't stack more than 2 cupboards together to prevent tip-over. Please secure the stacked cupboards with wall anchors for added safety.

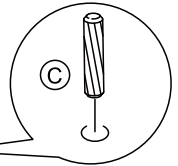
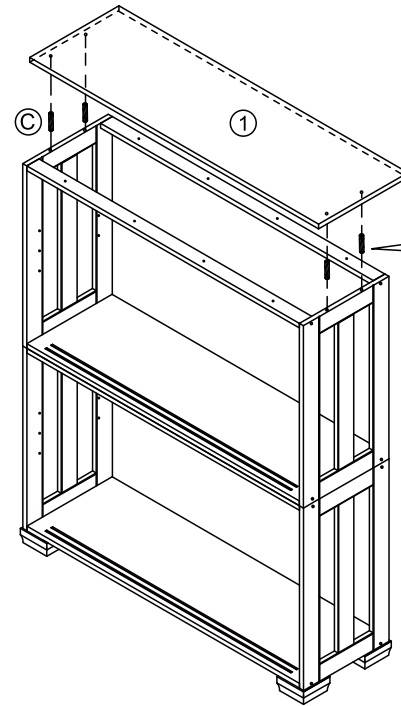
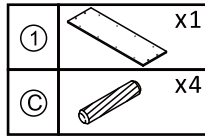


 For the assembly of the upper cupboard, please refer steps 1-7; for the assembly of the bottom cupboard, please refer steps 1-8.

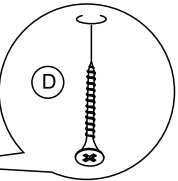
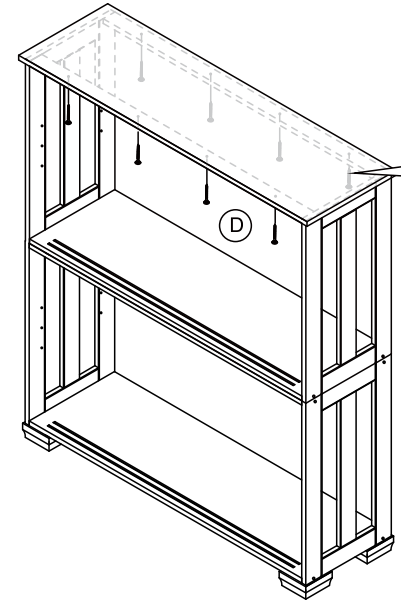
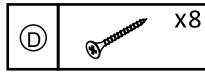
17



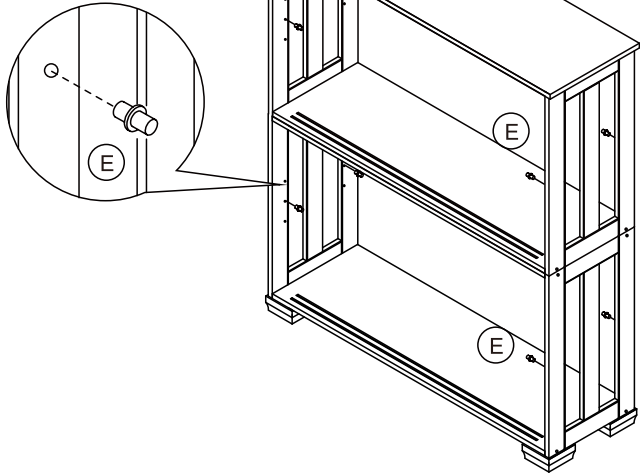
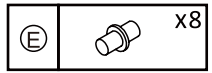
18



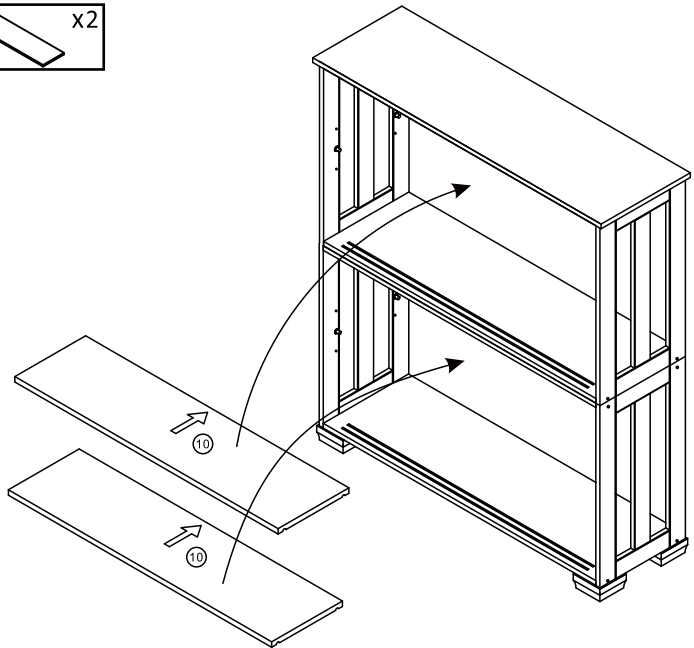
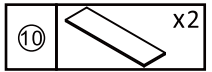
19



20

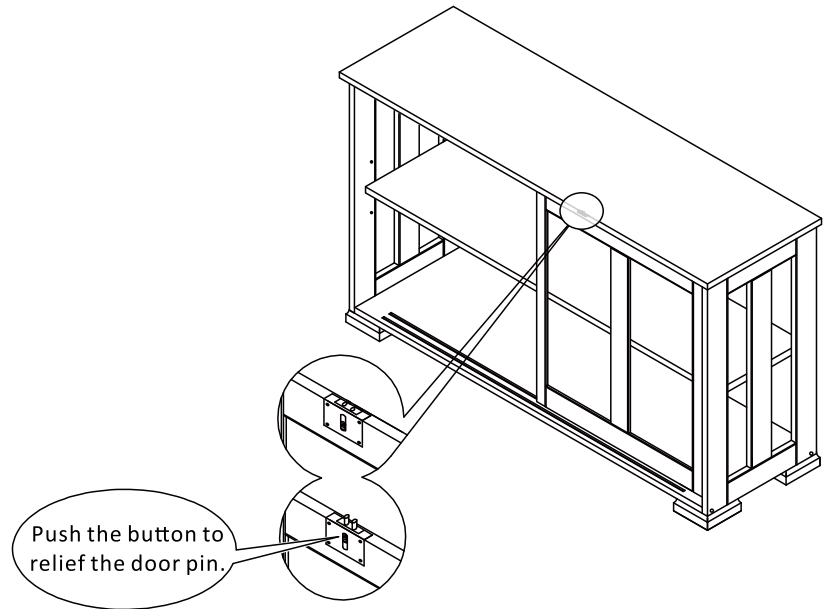
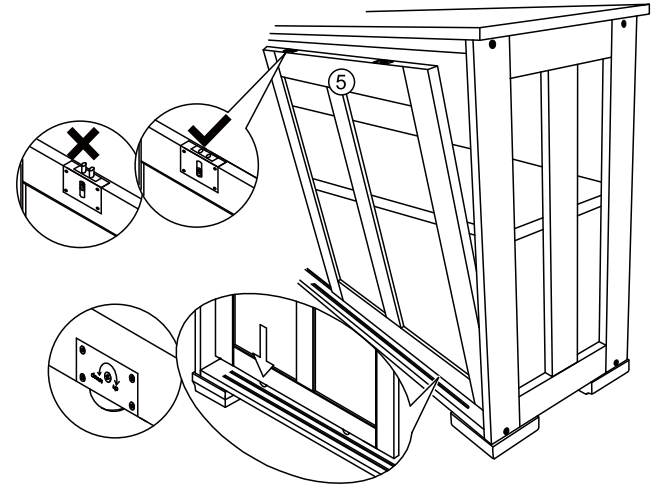


21



15/18

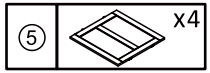
22



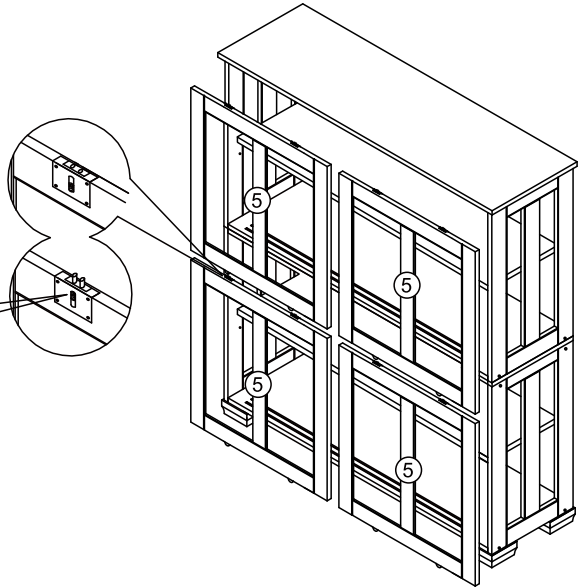
Push the button to relief the door pin.

16/18

23



Push the button to relief the door pin.

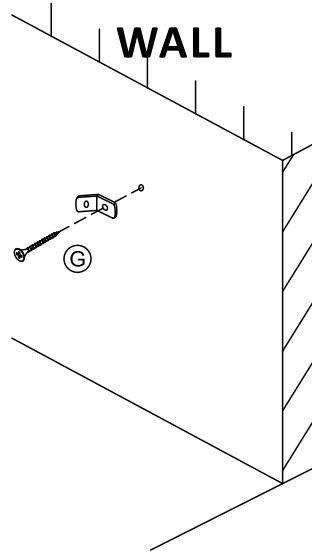
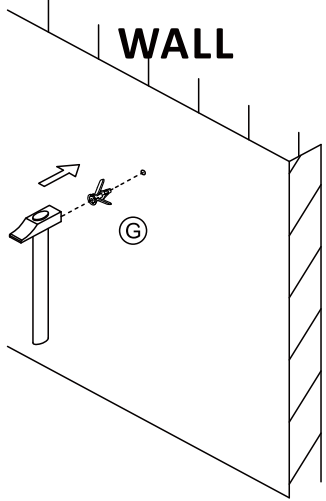


24

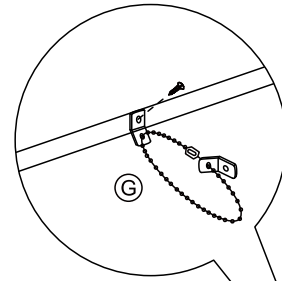
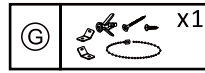


WALL

WALL



25



WALL

