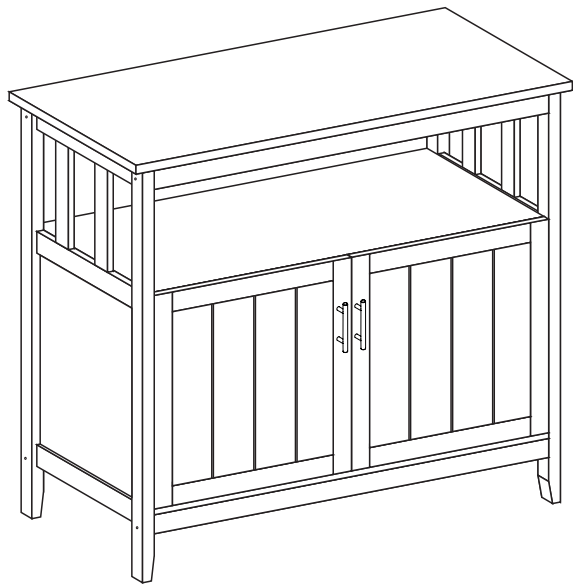
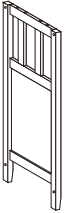
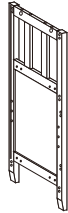







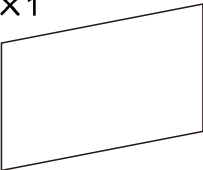
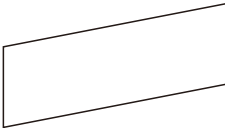









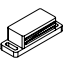





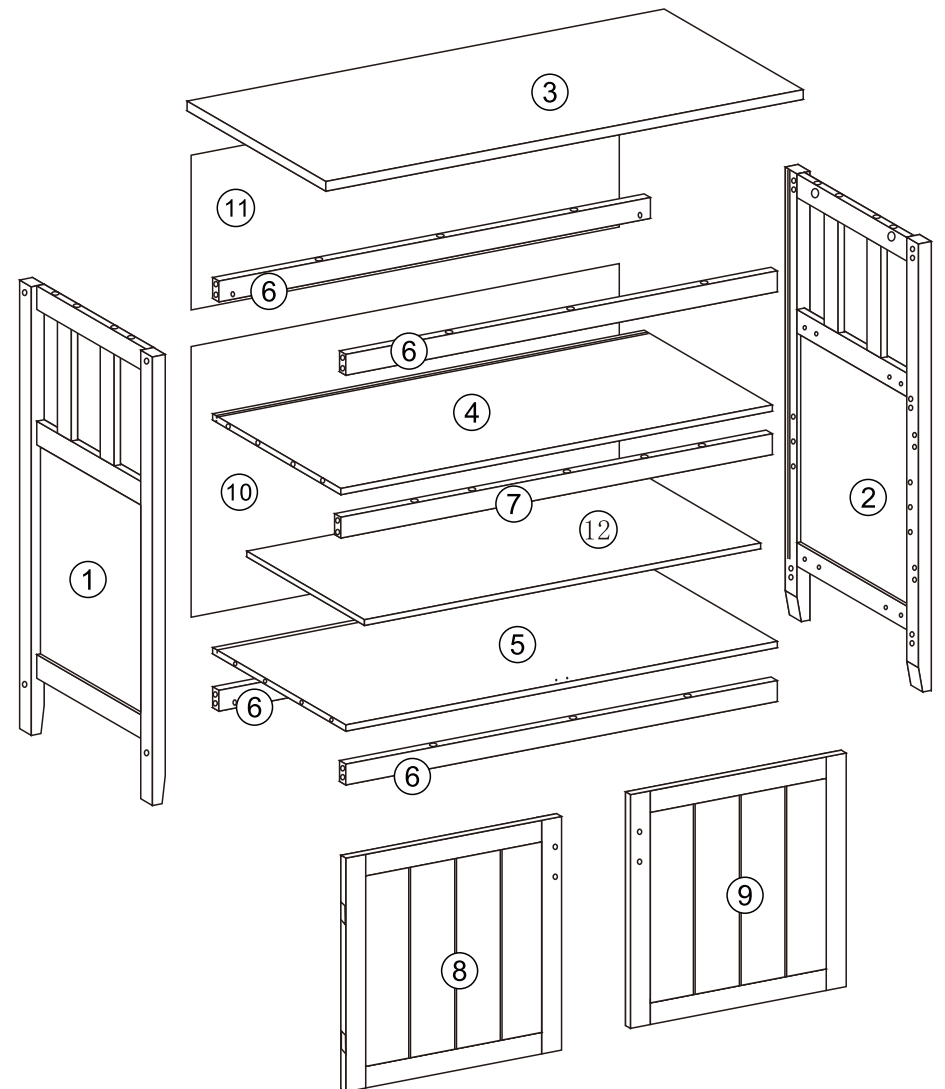


---

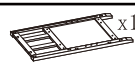
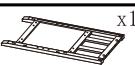
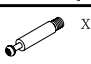
# Assembly Instructions

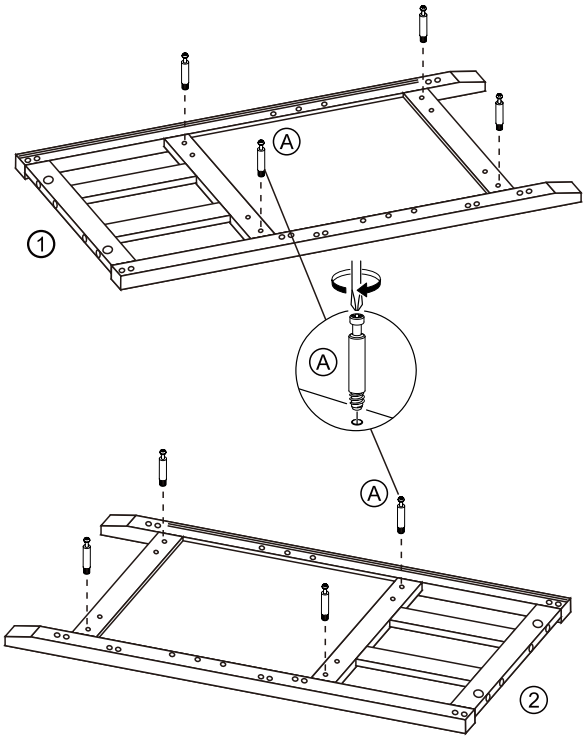


① × 1  L		② × 1  R		③ × 1 	
④ × 1 		⑤ × 1 		⑥ × 4 	
⑦ × 1 		⑧ × 1 		⑨ × 1 	
⑩ × 1 		⑪ × 1 		⑫ × 1 	
Ⓐ × 12 	Ⓑ × 12 	Ⓒ × 34 	Ⓓ × 7 	Ⓔ × 4 	Ⓕ × 20 
Ⓖ × 8 	Ⓕ × 8 	Ⓖ × 1 	Ⓙ × 2 	Ⓚ × 4 	Ⓛ × 4 
Ⓜ × 4 	Ⓝ × 2 				

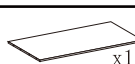
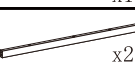

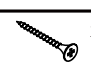


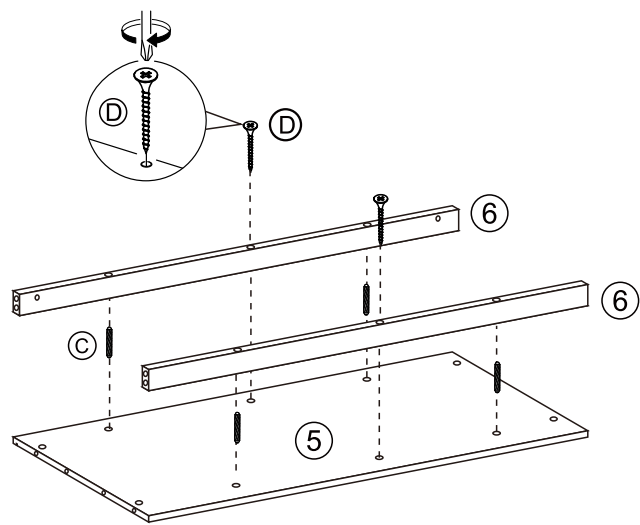
1

①	 x1
②	 x1
(A)	 x8




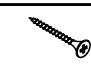


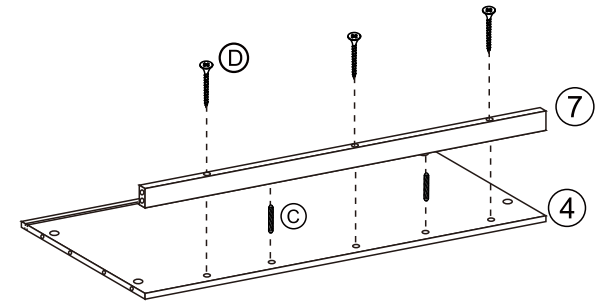
2

⑤	 x1
⑥	 x2
(C)	 x4
(D)	 x2








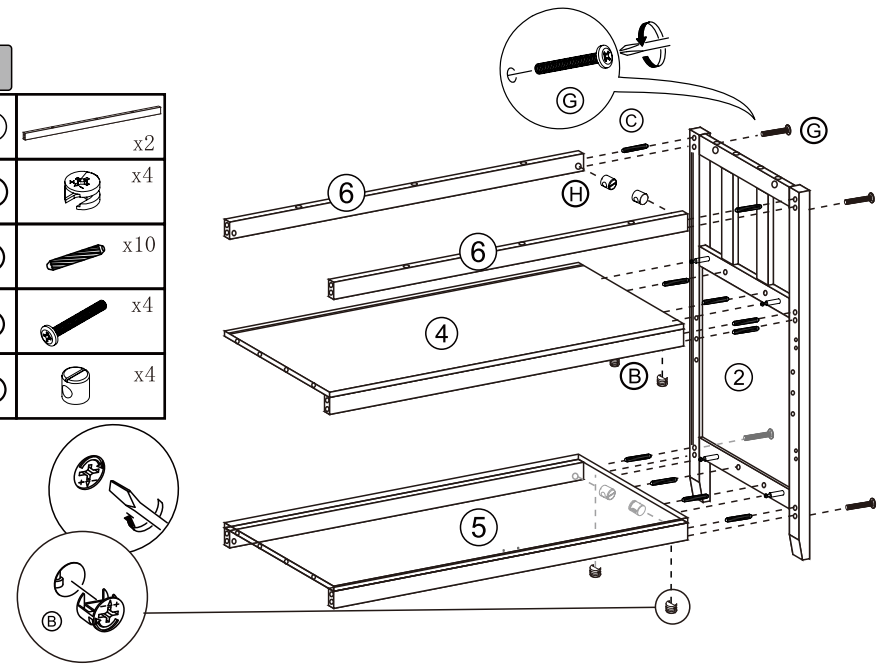
3

④	 x1
⑦	 x1
(C)	 x2
(D)	 x3

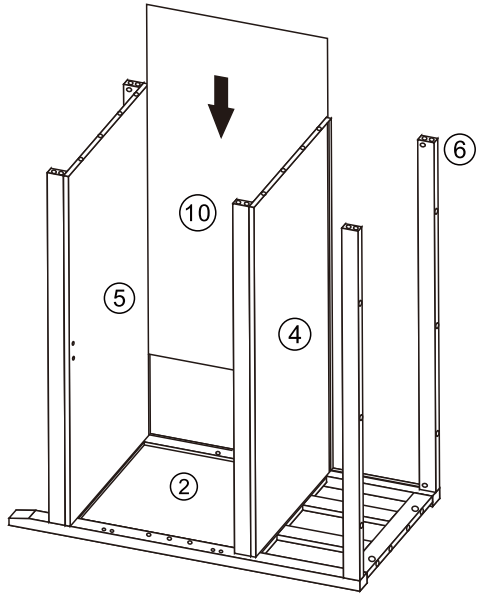
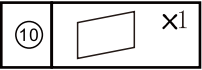


4

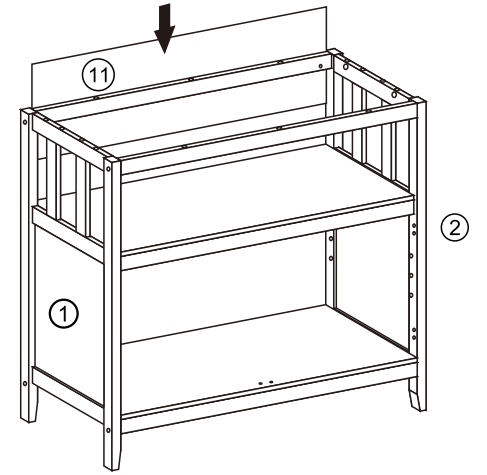
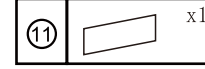
⑥	 x2
(B)	 x4
(C)	 x10
(G)	 x4
(H)	 x4



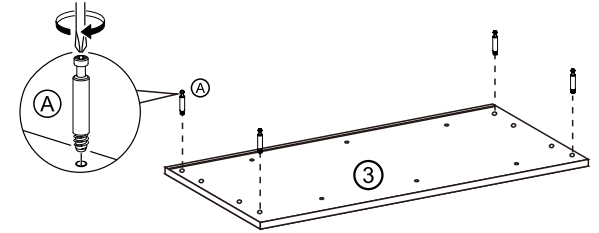
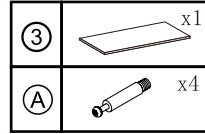
5



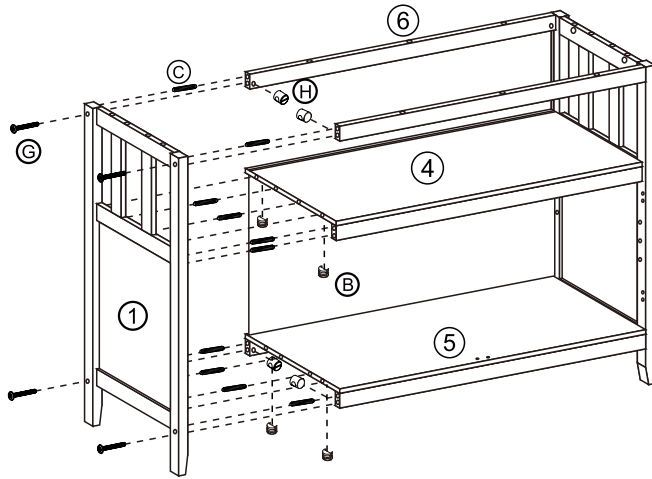
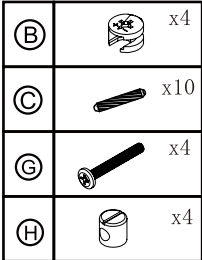
7



8

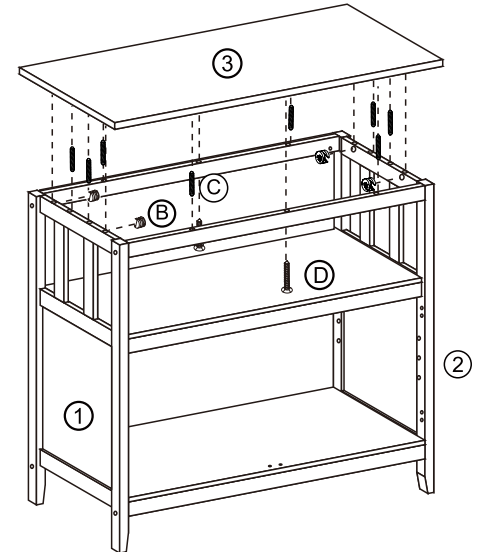
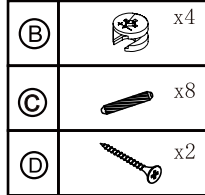


6




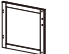

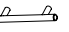



6/9

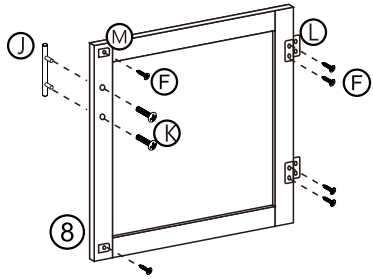
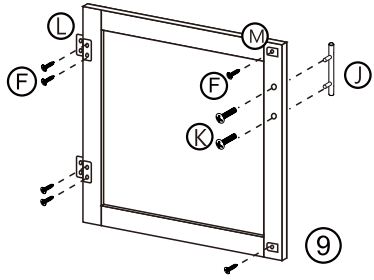
9





7/9

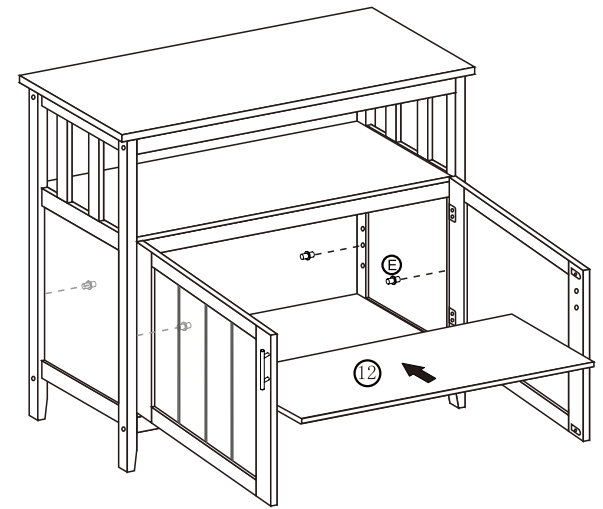
10

⑧		x1
⑨		x1
ⓕ		x12
ⓐ		x2
Ⓚ		x4
Ⓛ		x4
Ⓜ		x4






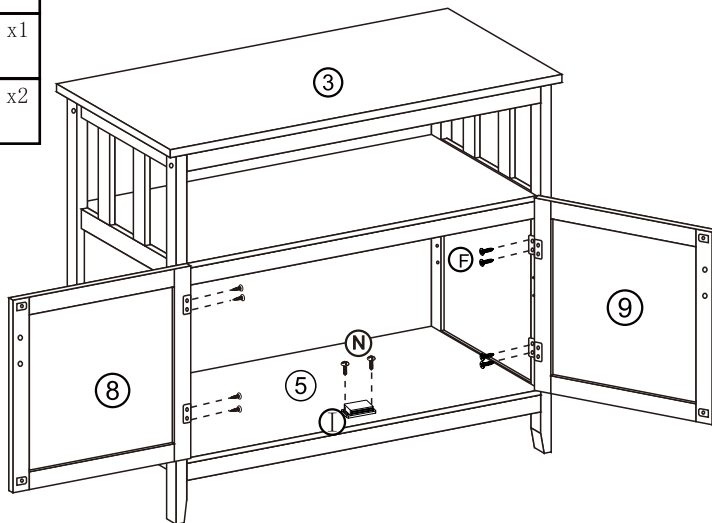
12

⑫		x1
ⓔ		x4



11

ⓕ		x8
Ⓛ		x1
Ⓝ		x2



13

