

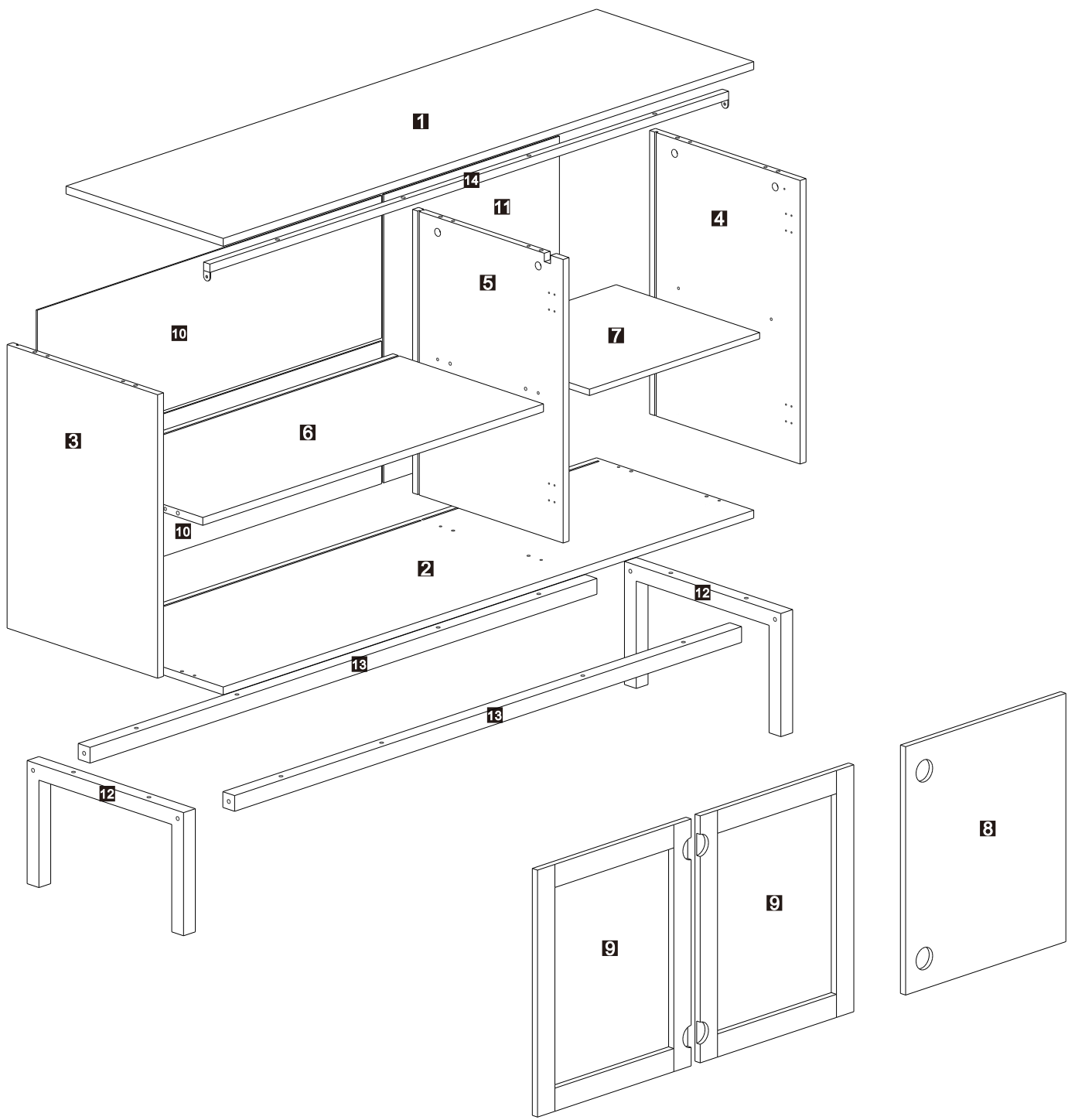
**Attention please :**

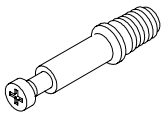
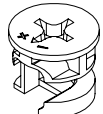

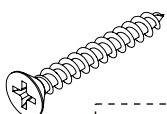
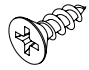
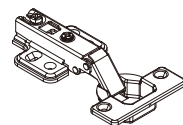
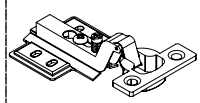
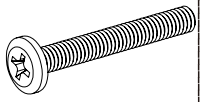
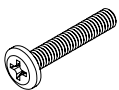
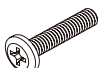
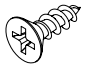
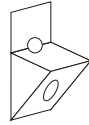

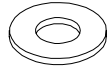

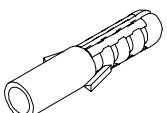
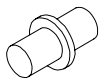
**Improper use of screws may cause the product surface damage!  
Please be careful when installing.**

**To prevent you from confusing the accessories and boards, Please do not mix the parts of different units when you buy two or more products at the same time.**

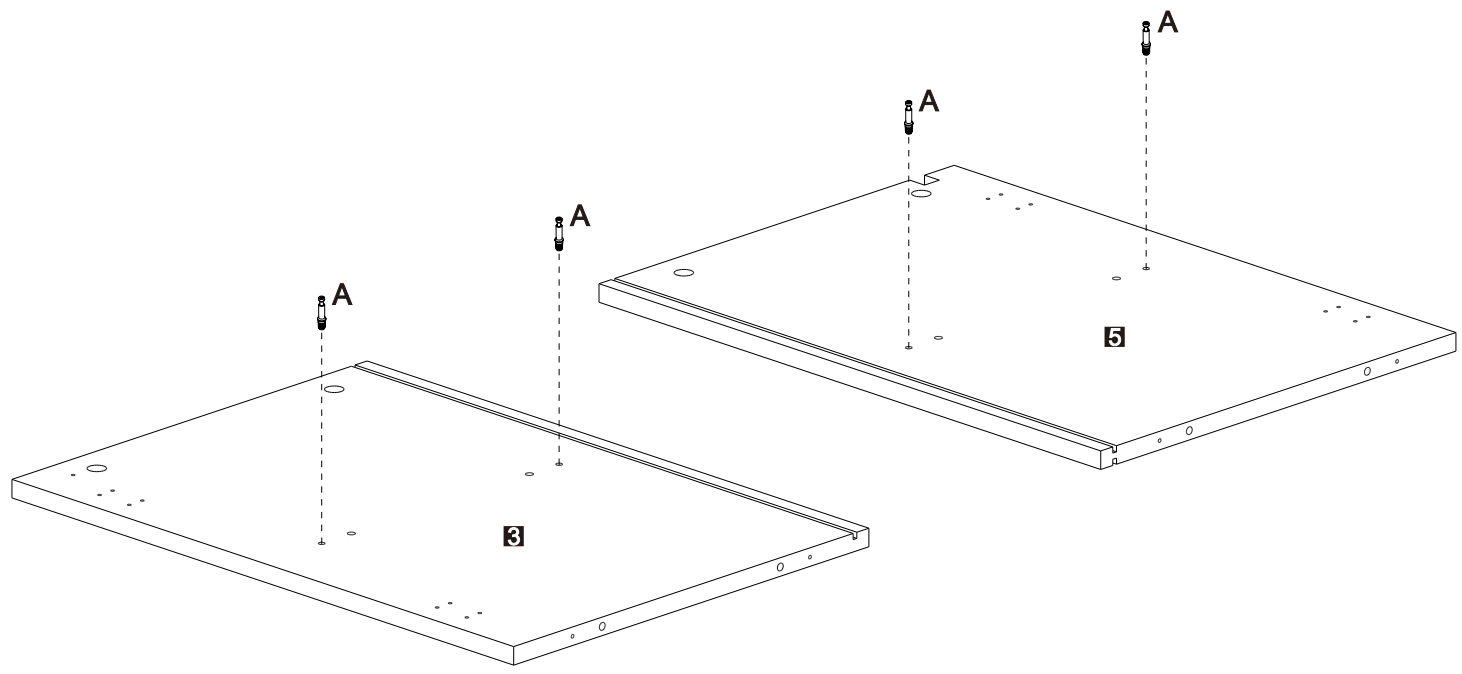
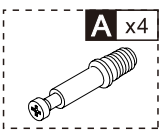
**READ AND SAVE THIS INSTRUCTIONS FOR FUTURE USE**

**ASSEMBLY & INSTRUCTION MANUAL**

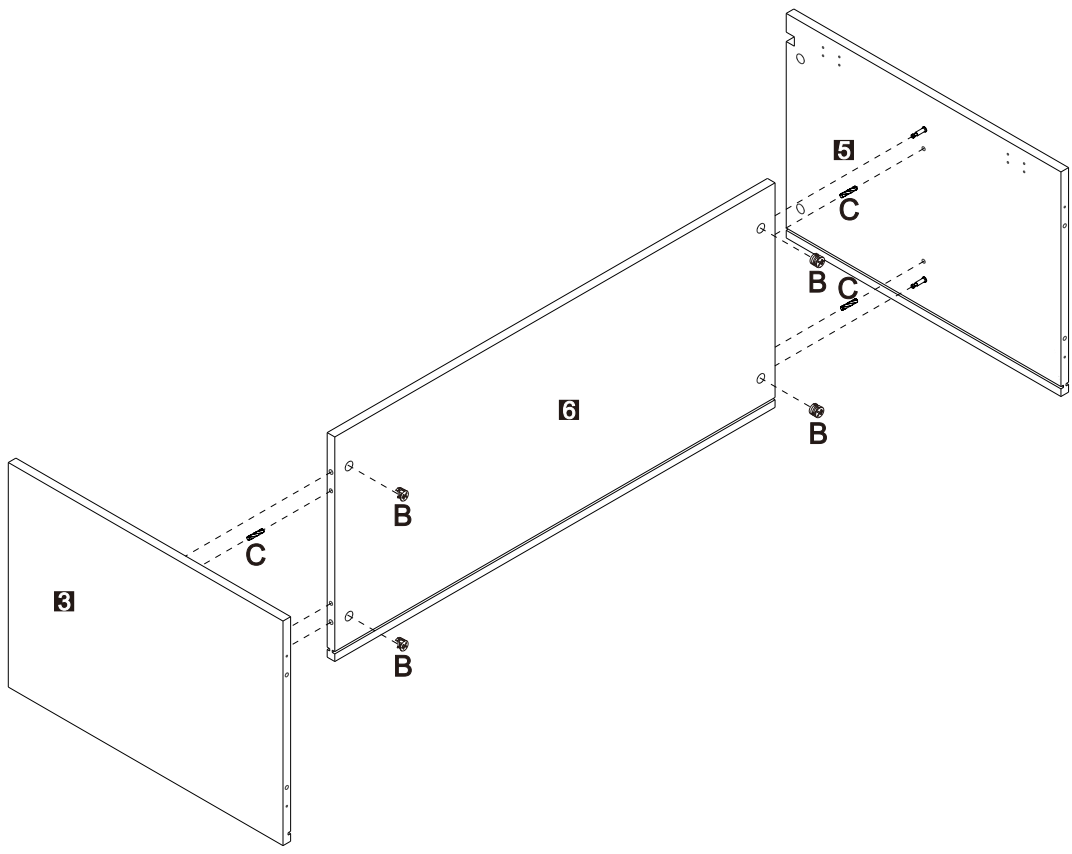
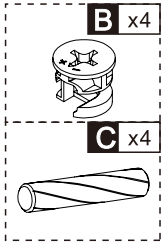


<b>A</b> x10 	<b>B</b> x10 	<b>C</b> x16 	<b>D</b> x7  4x35mm	<b>E</b> x38  4x14mm	<b>F</b> x4 	<b>G</b> x2 
<b>H</b> x4  6x60mm	<b>I</b> x12  6x40mm	<b>J</b> x4  6x25mm	<b>K</b> x8  3x14mm	<b>L</b> x8 	<b>M</b> x1 	<b>N</b> x2 
<b>O</b> x1  2.5x12mm	<b>P</b> x1 	<b>Q</b> x4 				

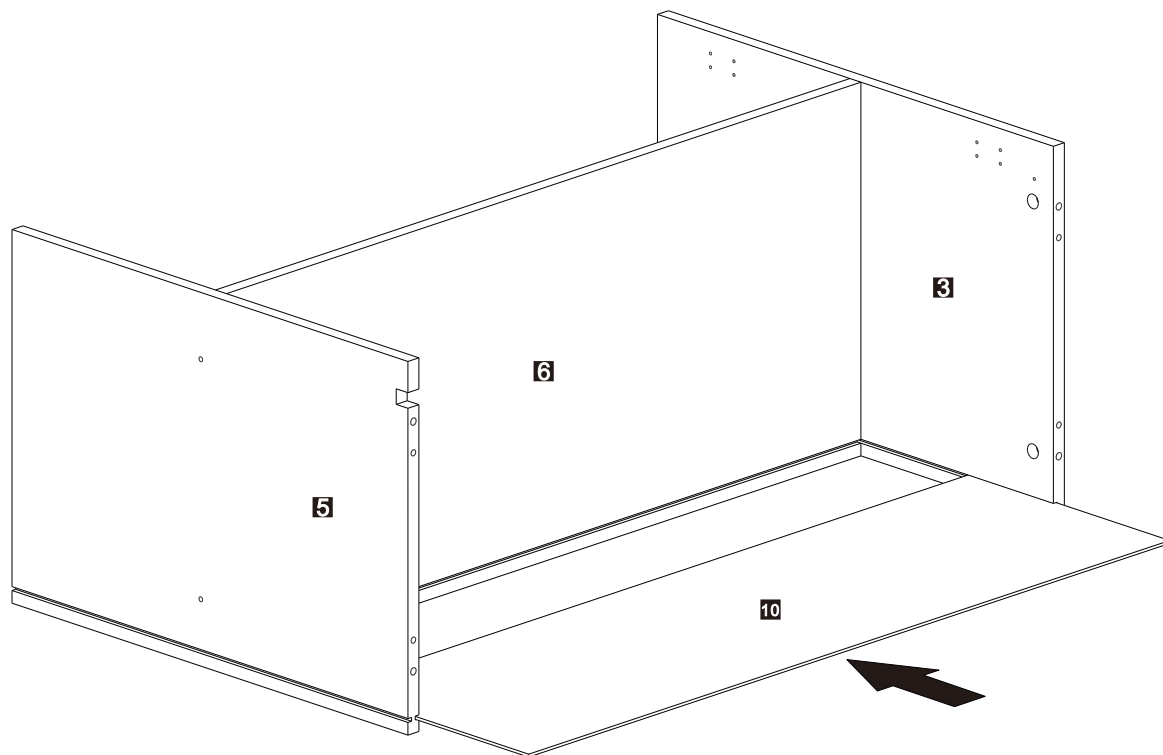
1



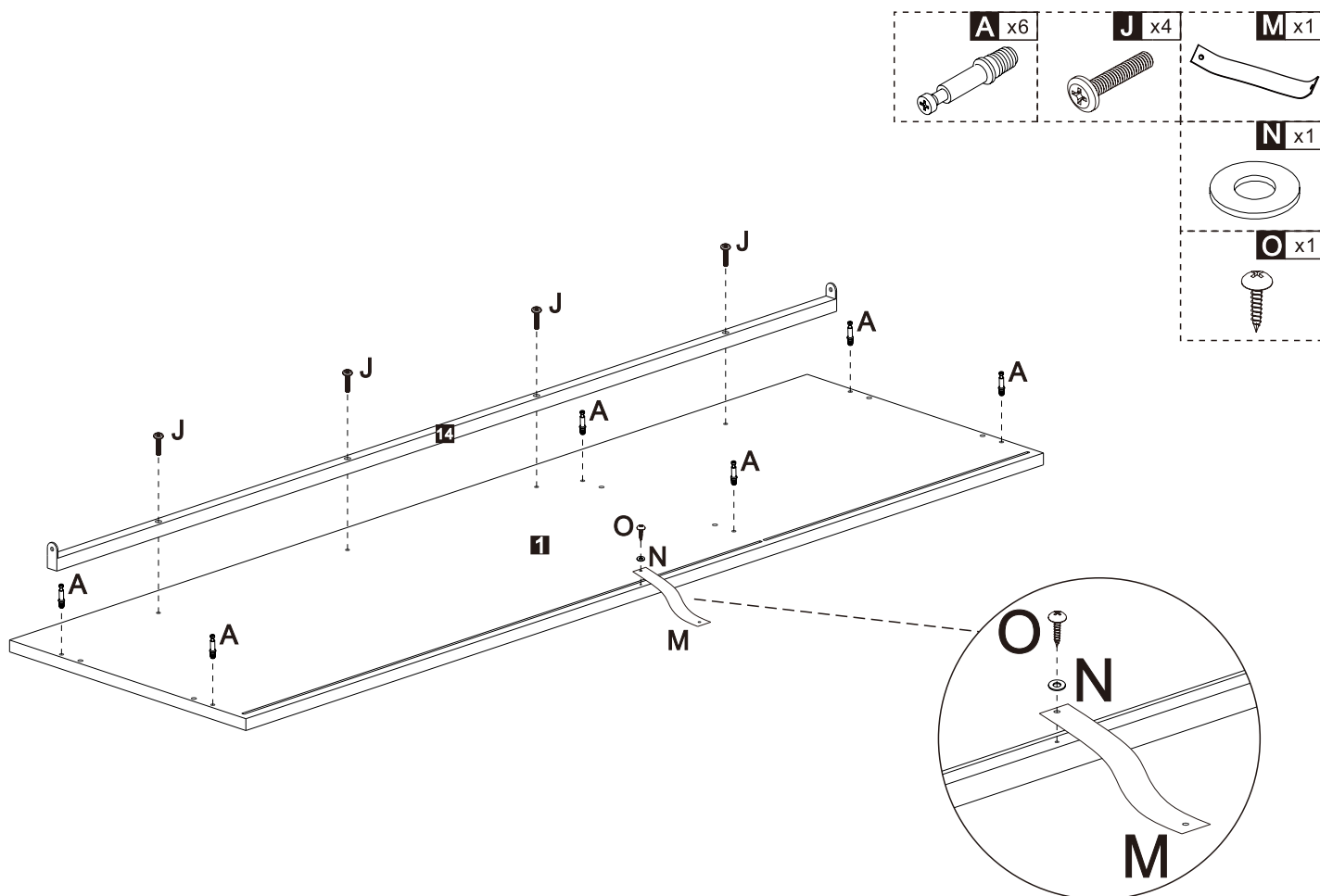
2



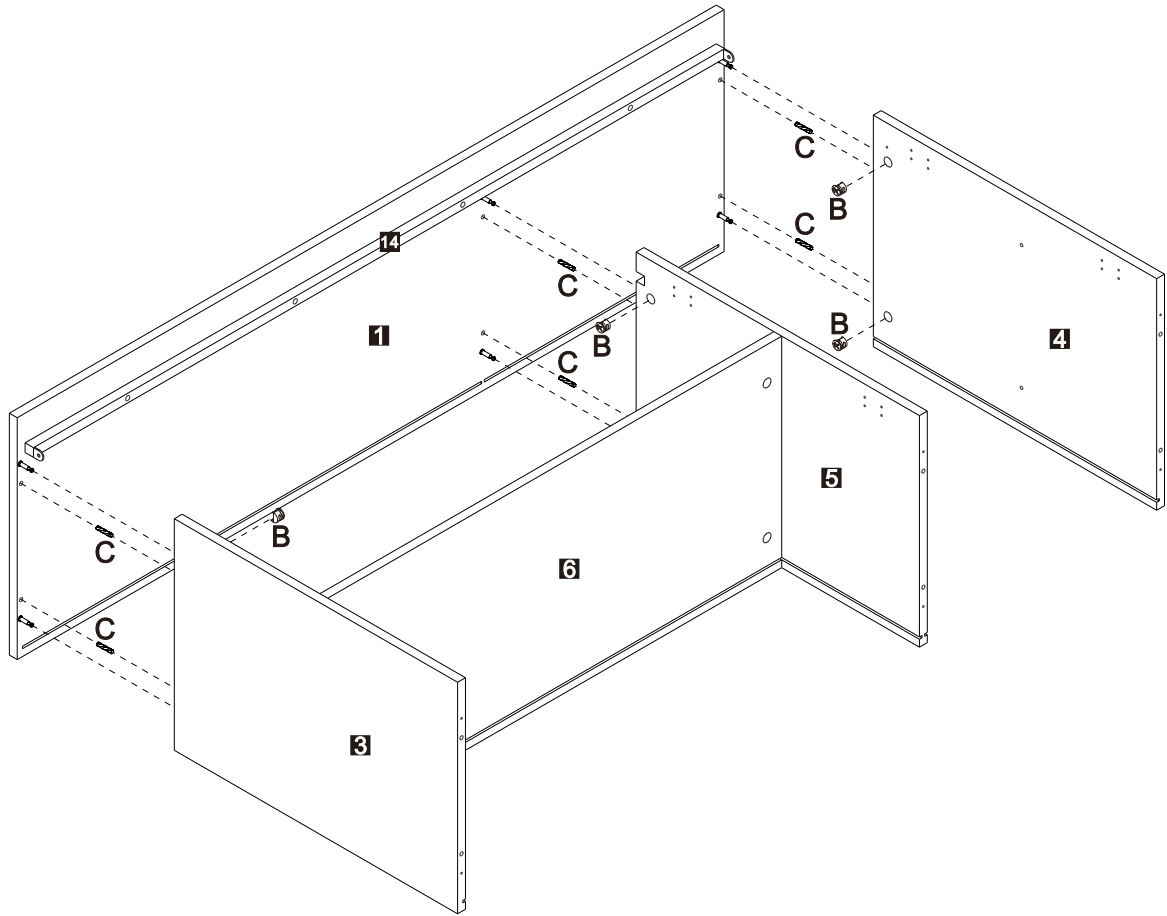
3



4



5



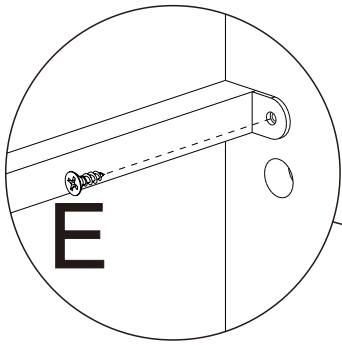
B x6



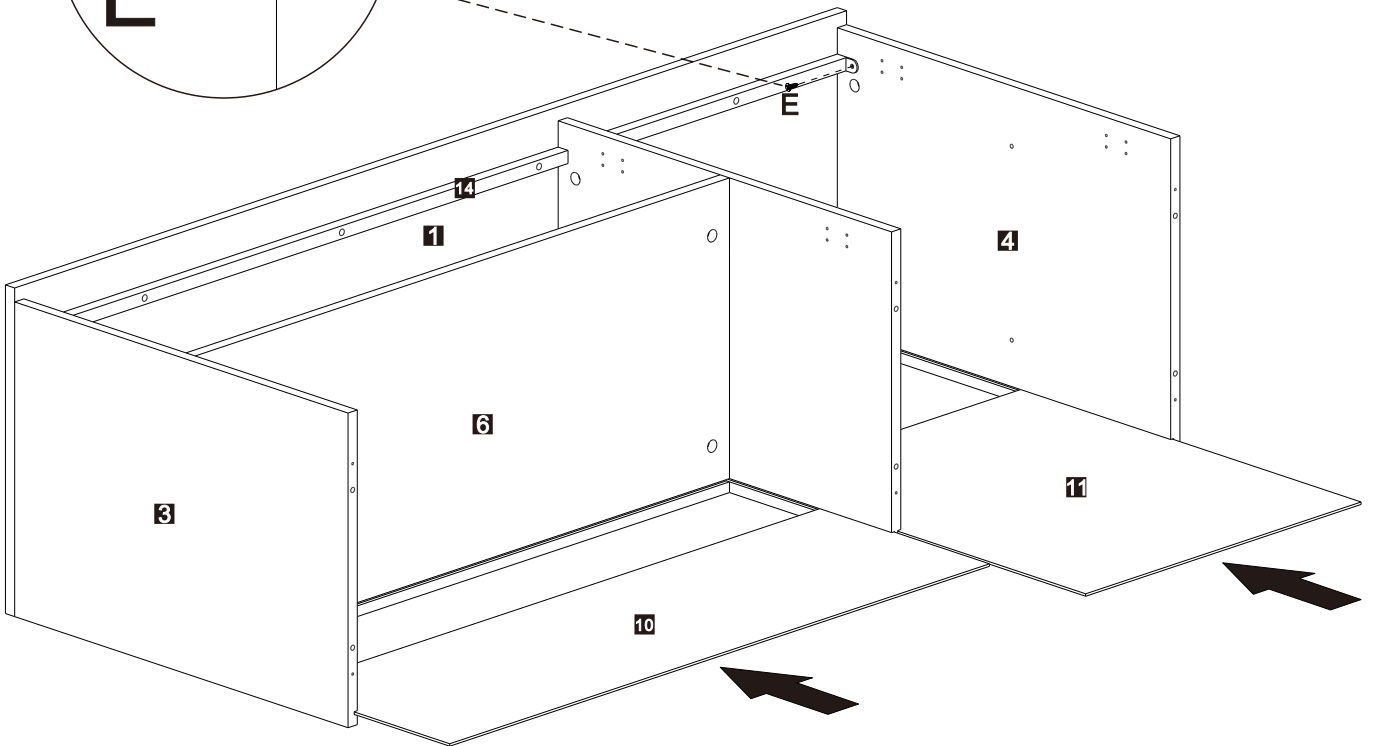
C x6



6



E x2

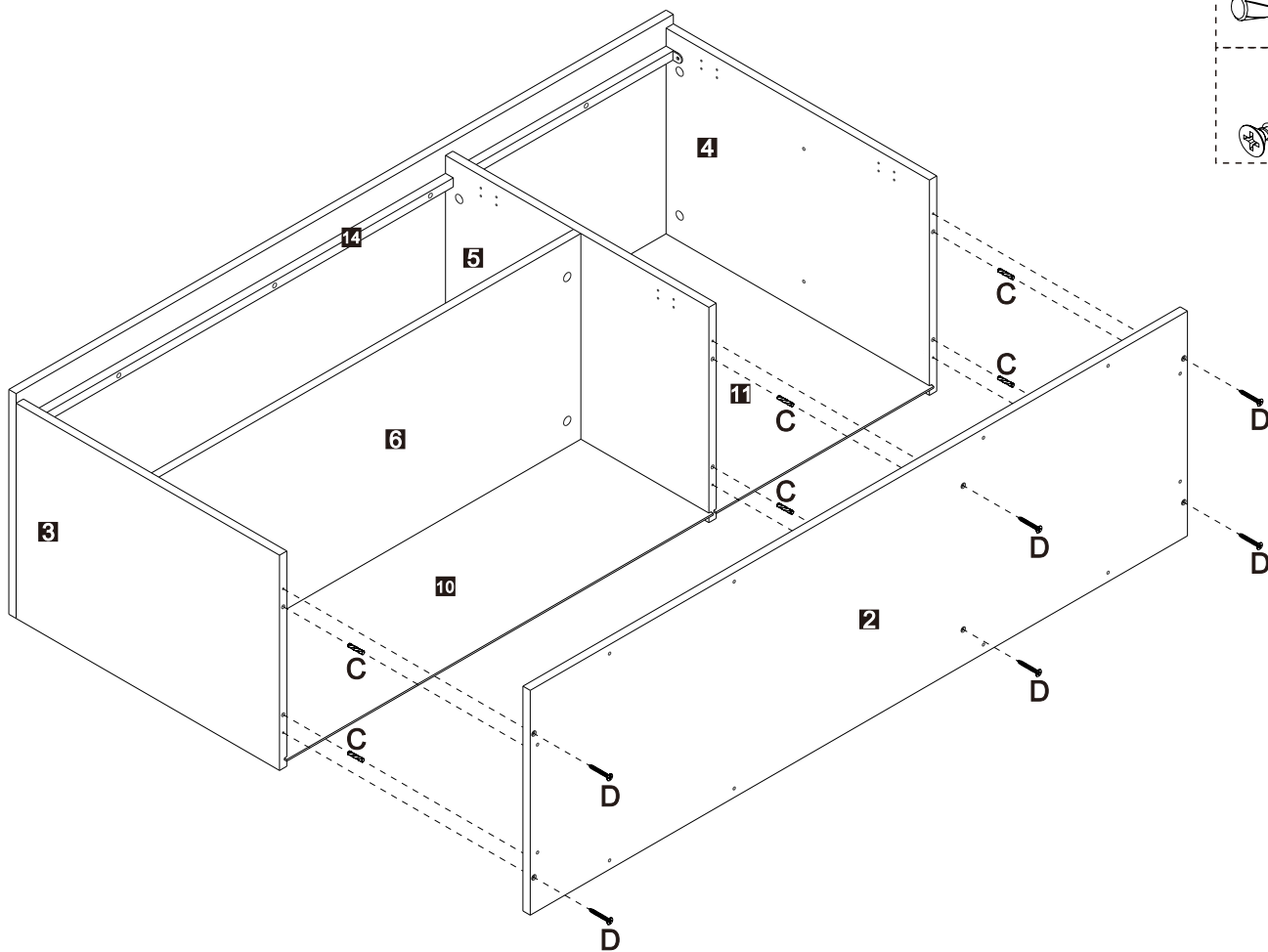
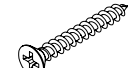


7

C x6

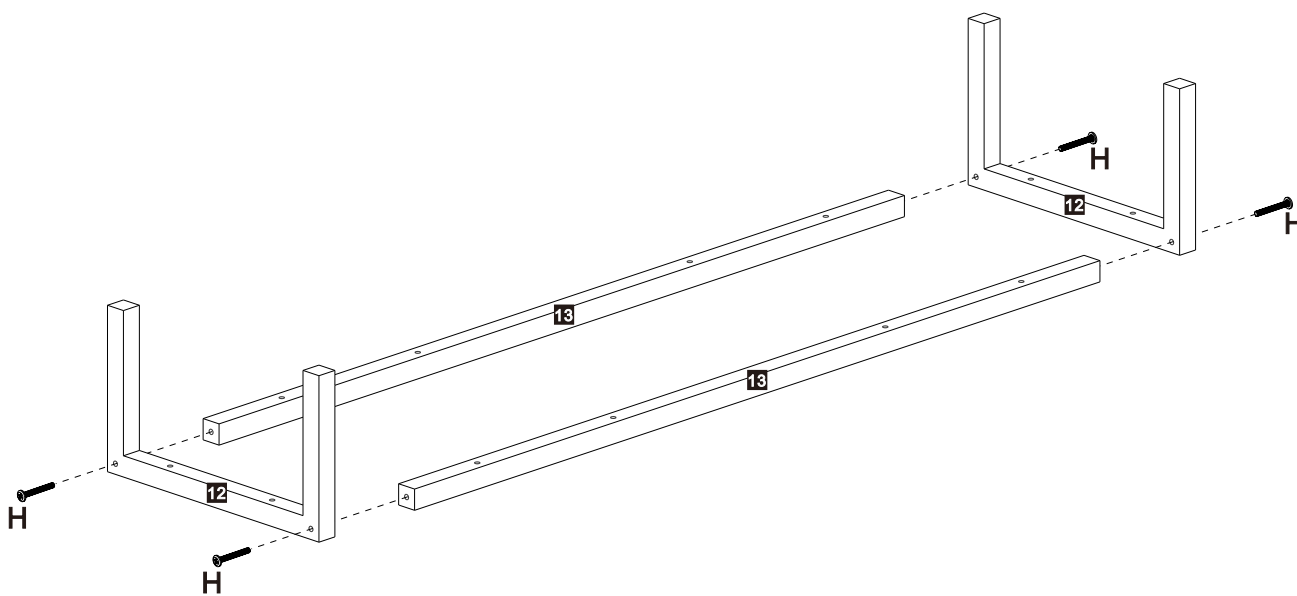
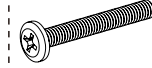


D x6

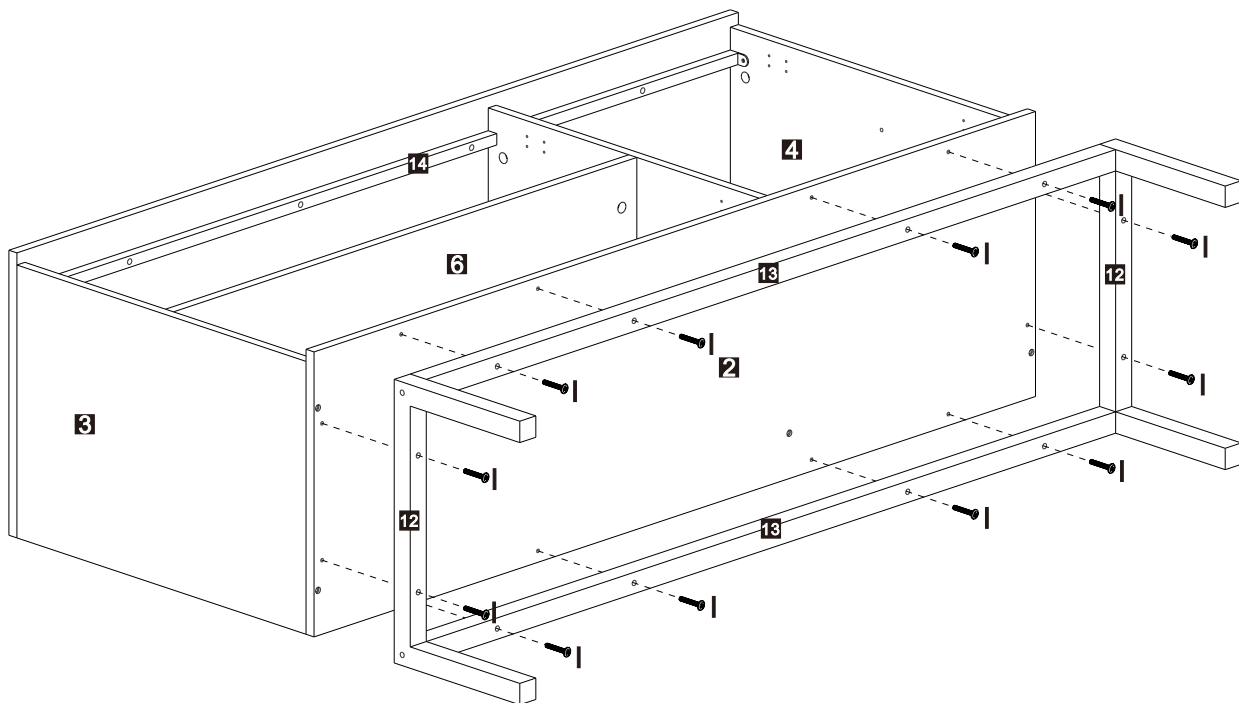
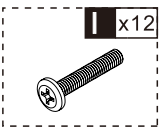


8

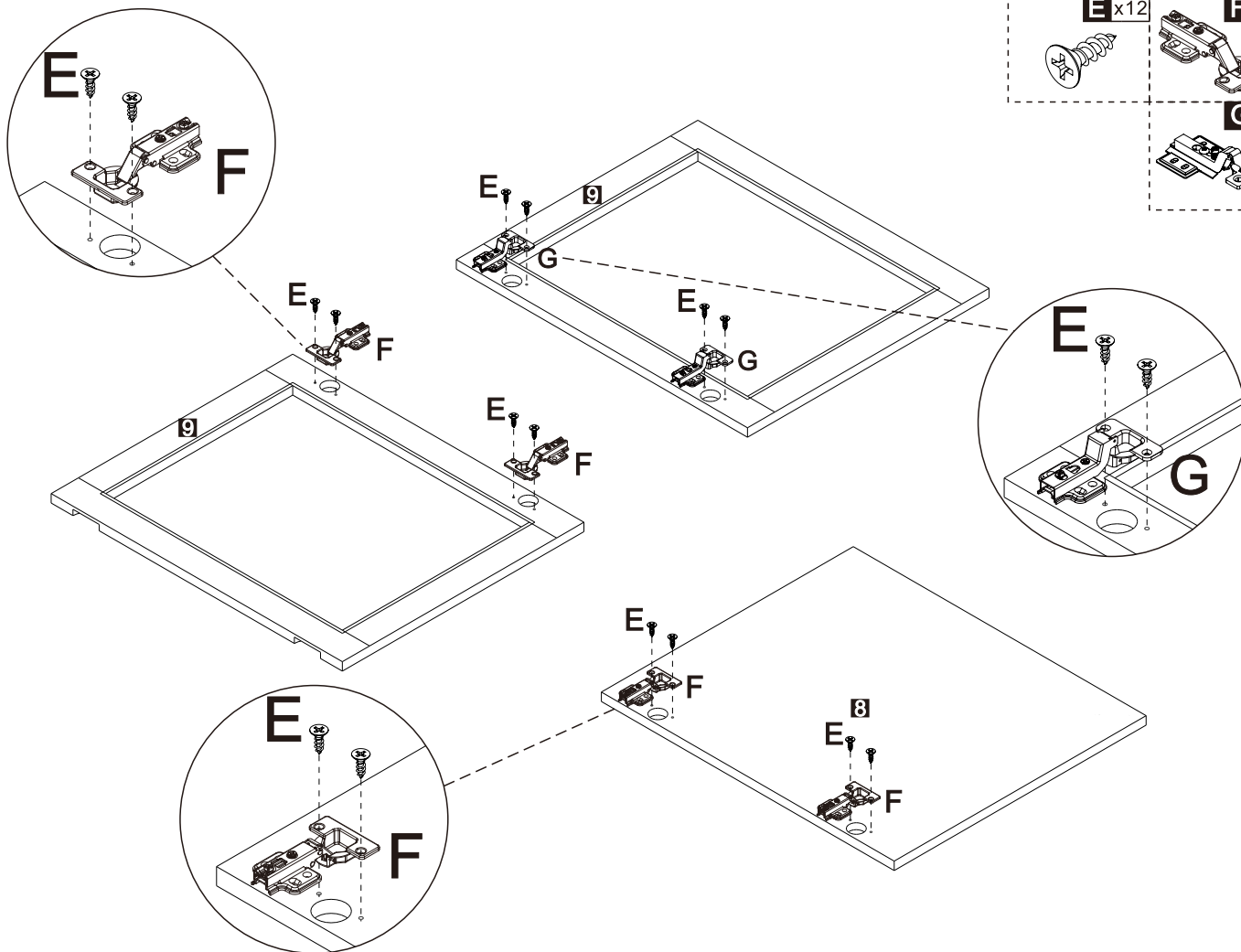
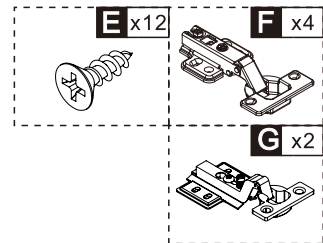
H x4



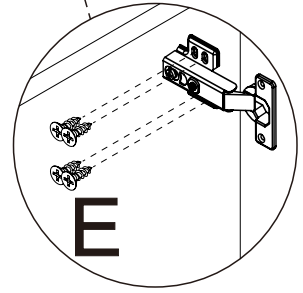
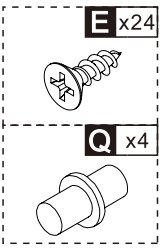
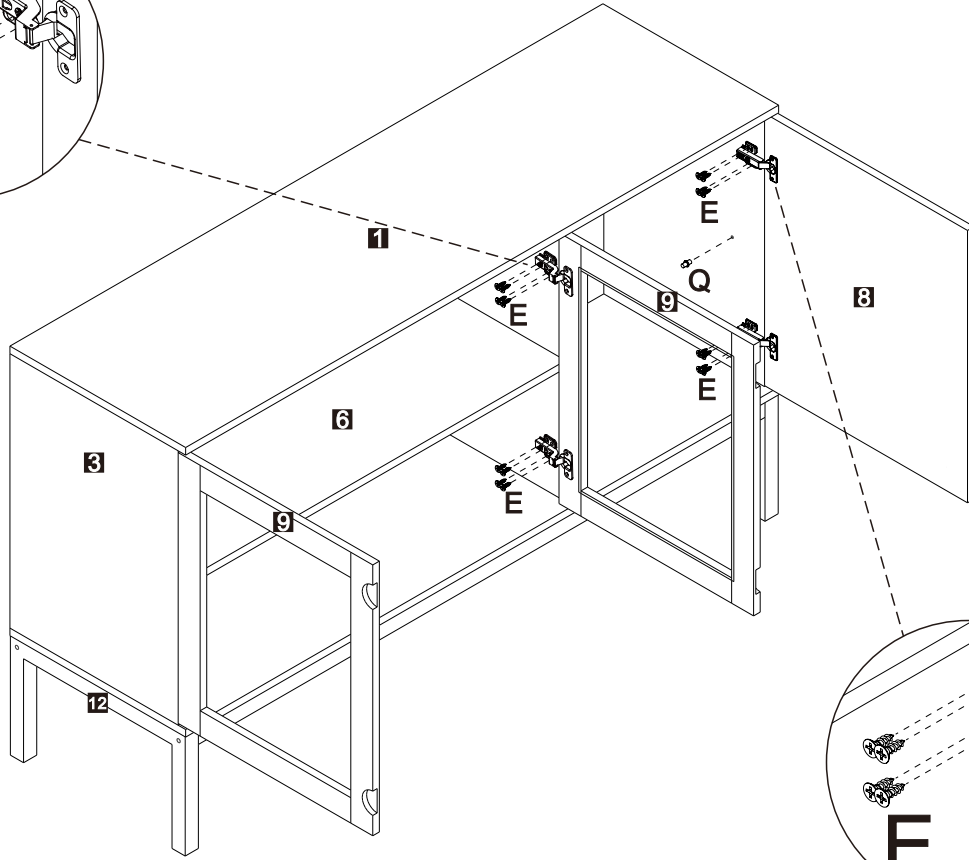
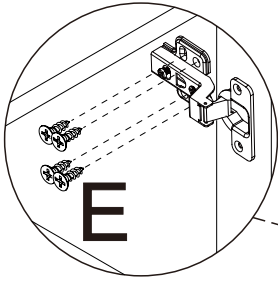
9



10



11



12

