

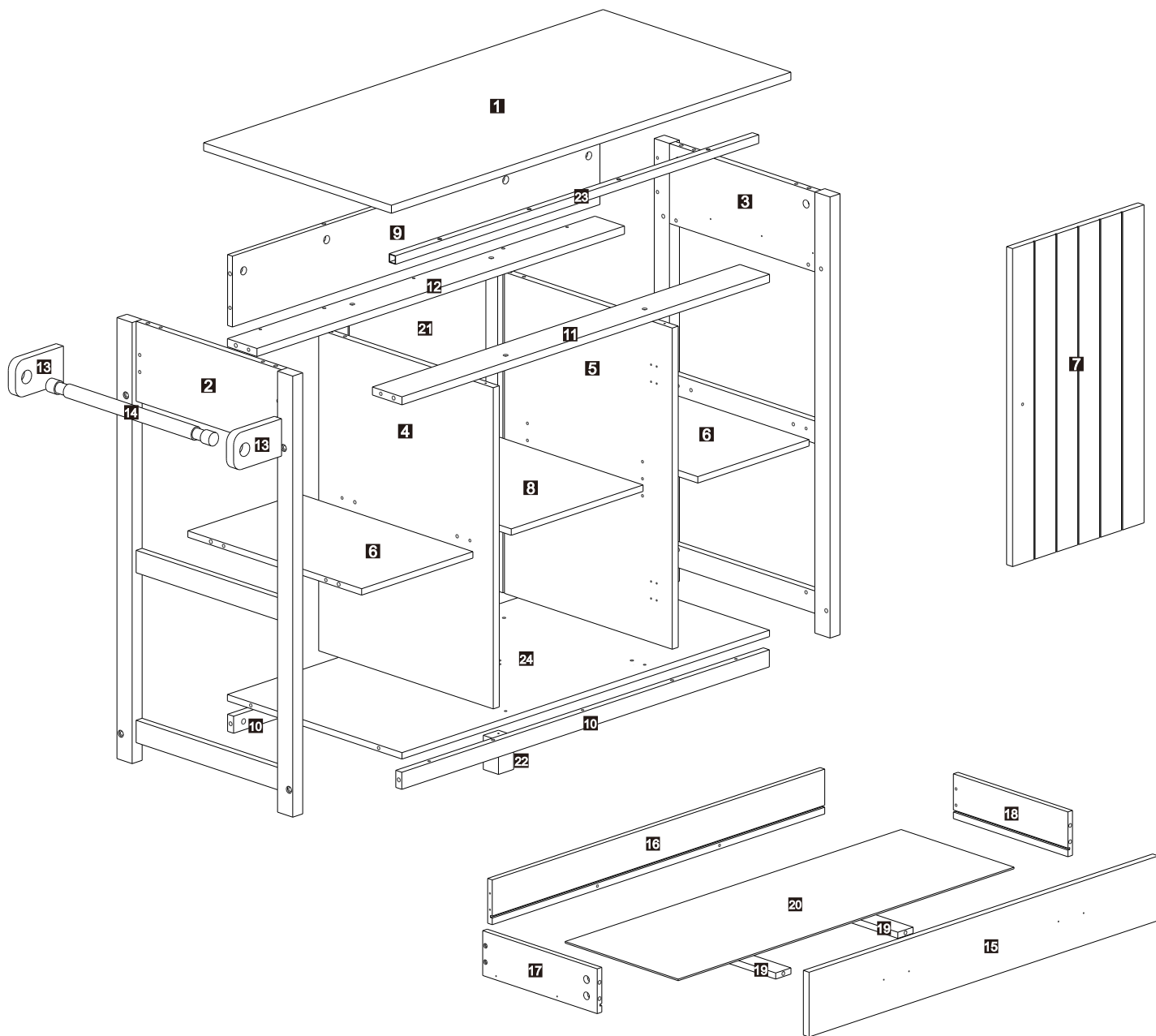
Attention please :

**Improper use of screws may cause the product surface damage!
Please be careful when installing.**

**To prevent you from confusing the accessories and boards, Please
do not mix the parts of different units when you buy two or more
products at the same time.**

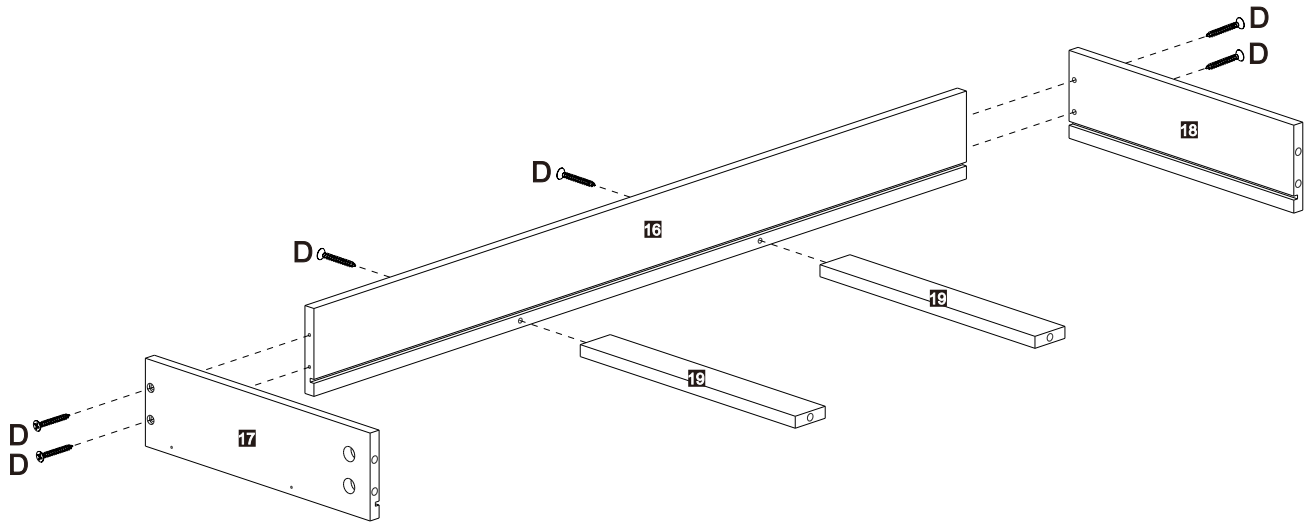
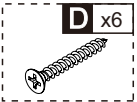
READ AND SAVE THIS INSTRUCTIONS FOR FUTURE USE

ASSEMBLY & INSTRUCTION MANUAL

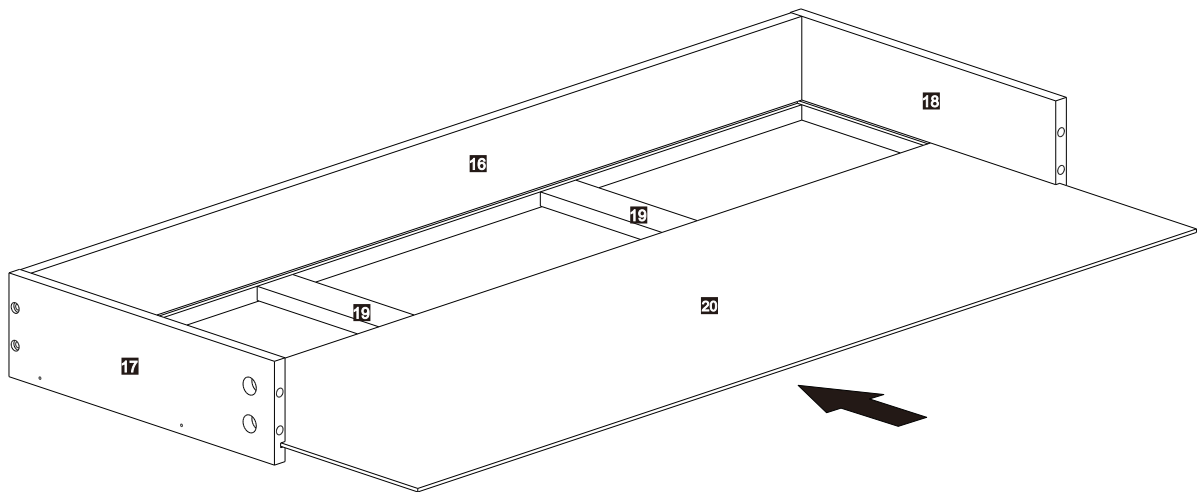


A x22	B x22	C x36	D x8	E x17	F x12	G x2
H x8	I x8	J x4	K x4	L x1	M x2	N x1
O x1	P x1	Q x4	R x2	S x3	T x1	
U x12	V x4					
3x12mm	3x12mm					

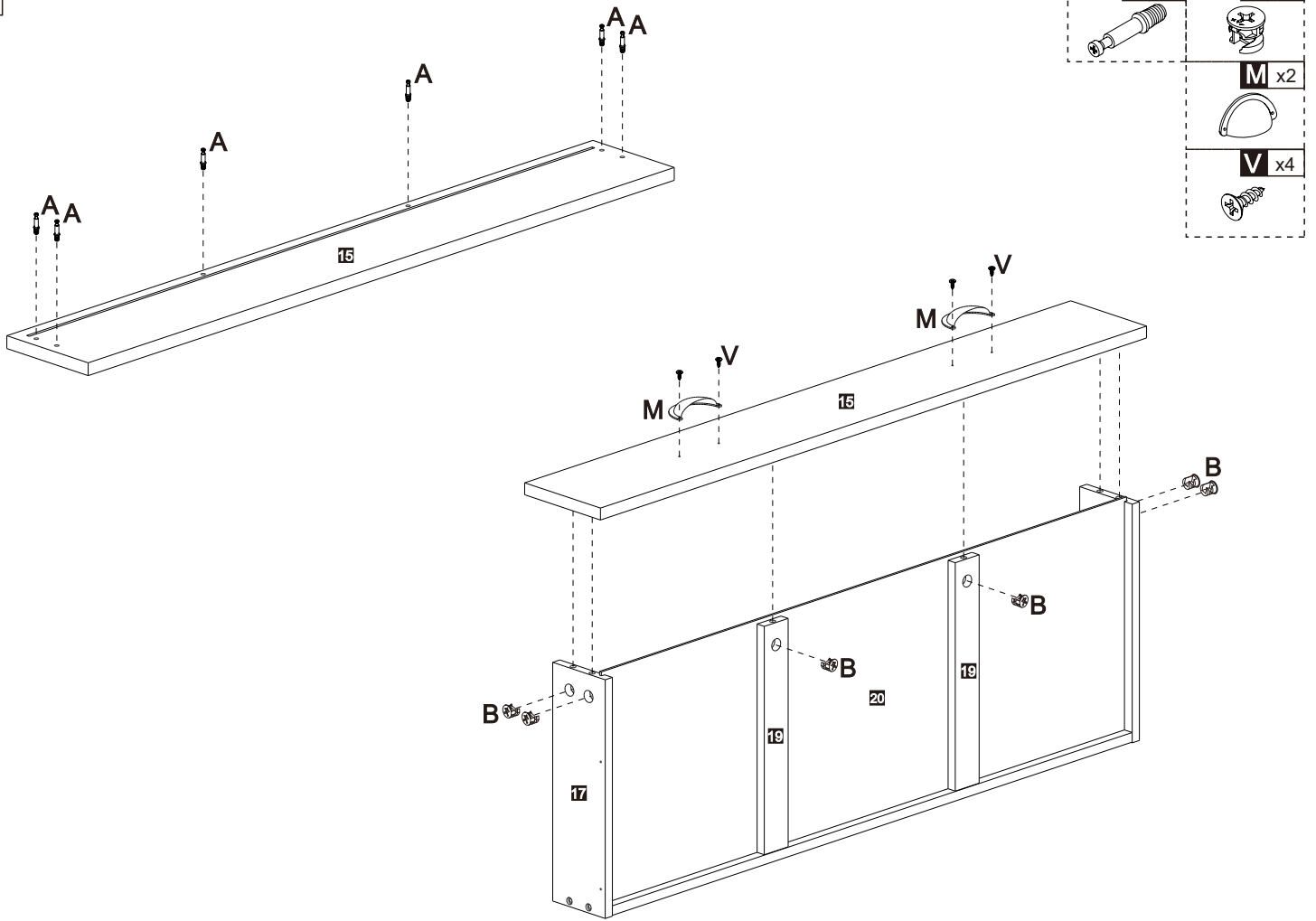
1



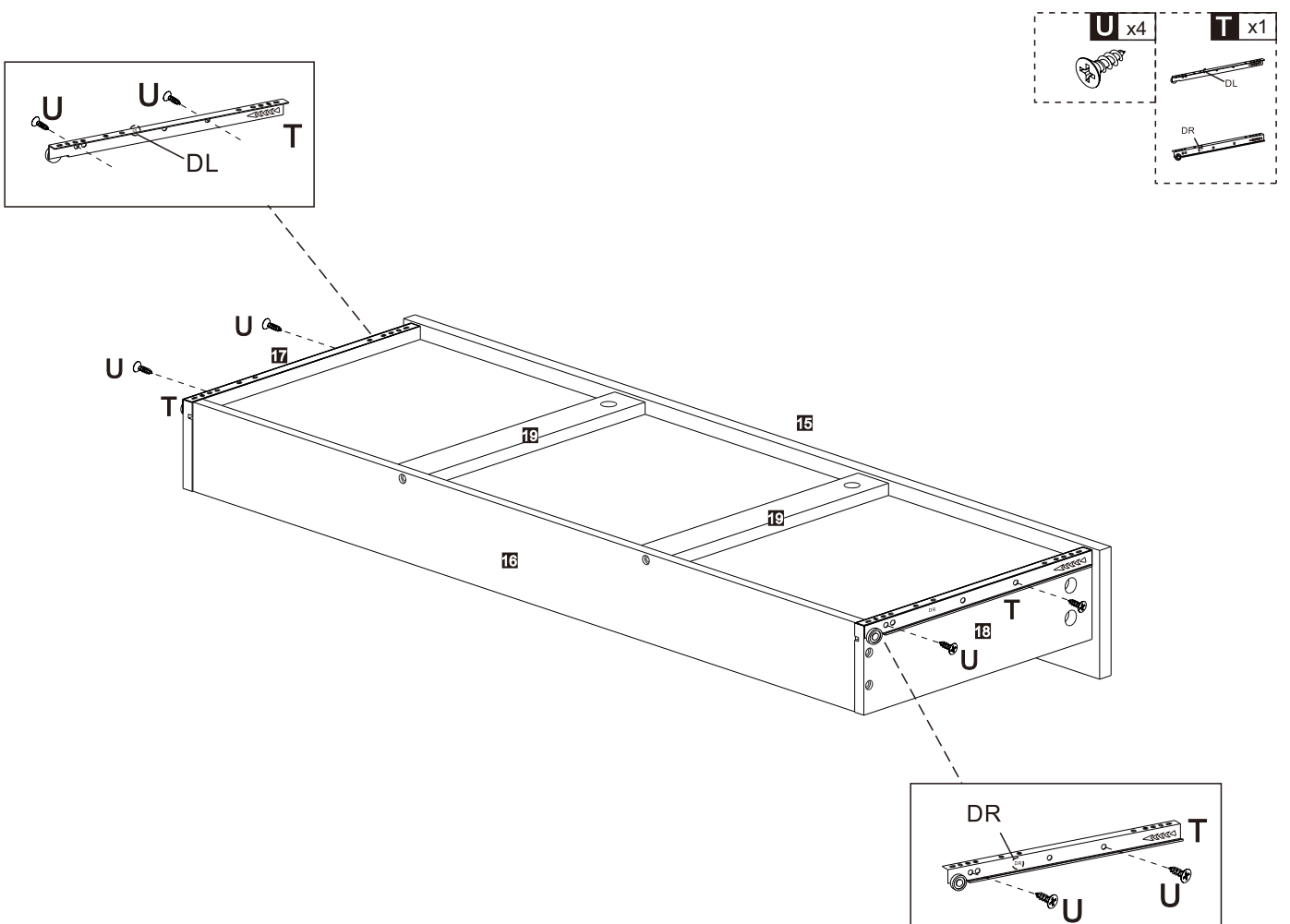
2



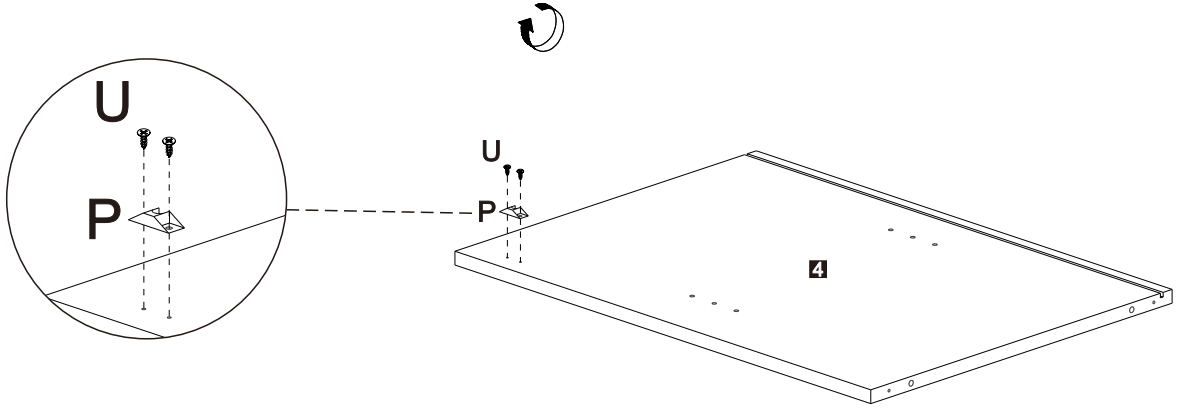
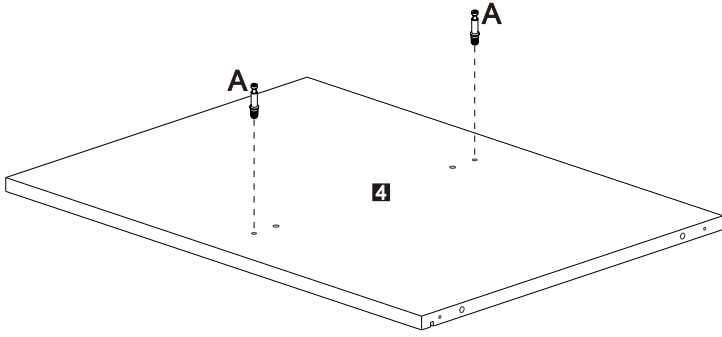
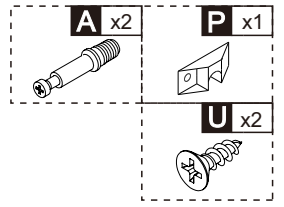
3



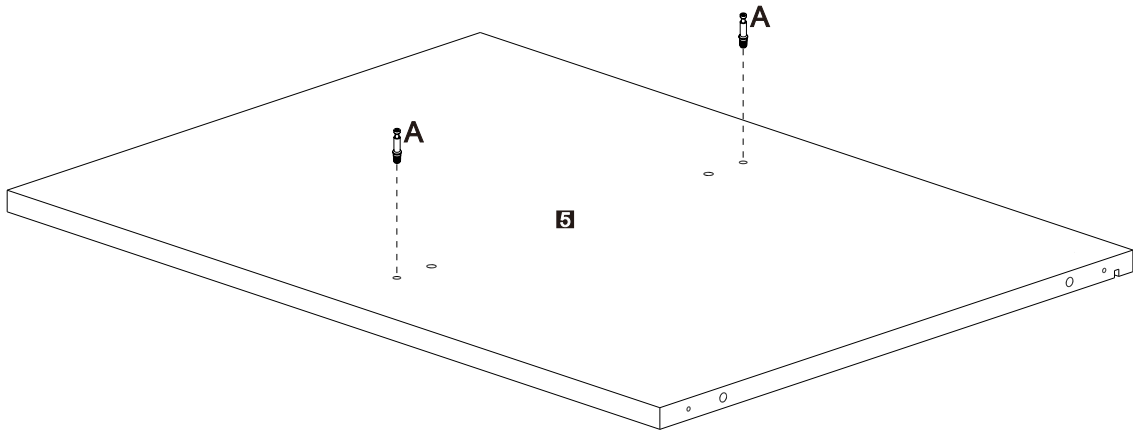
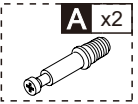
4



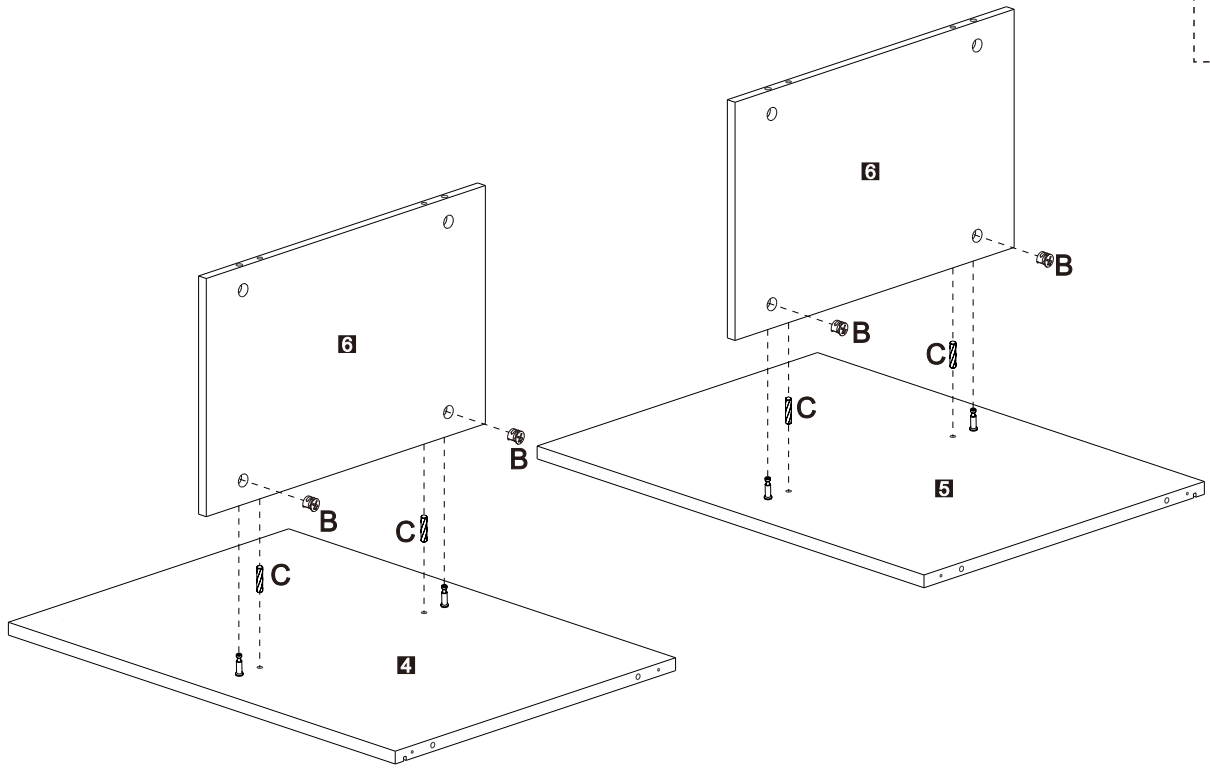
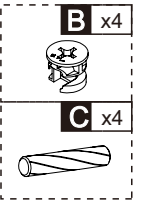
5



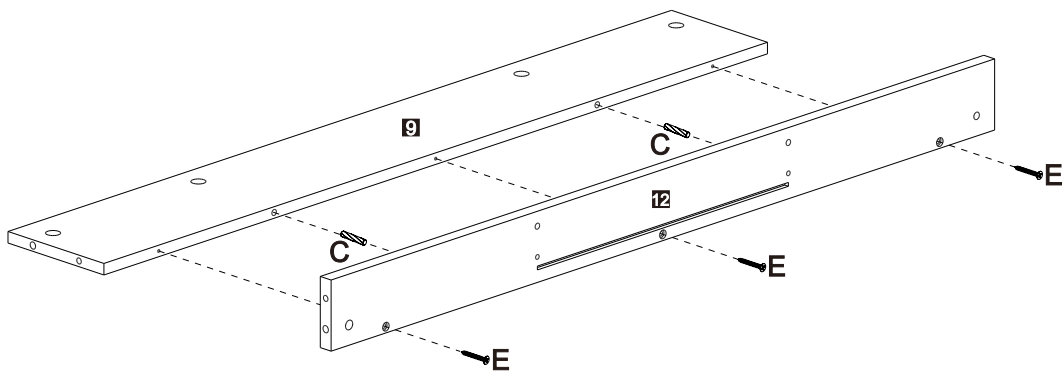
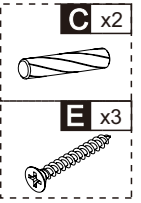
6



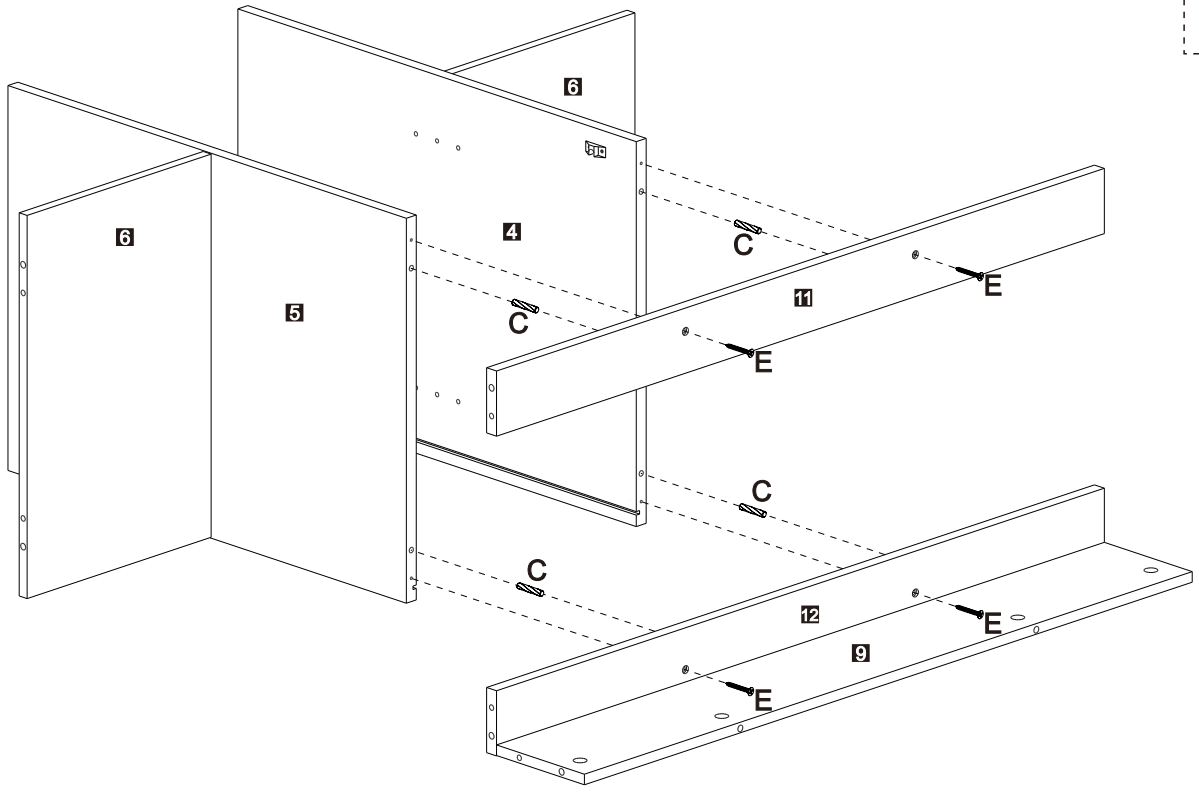
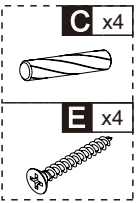
7



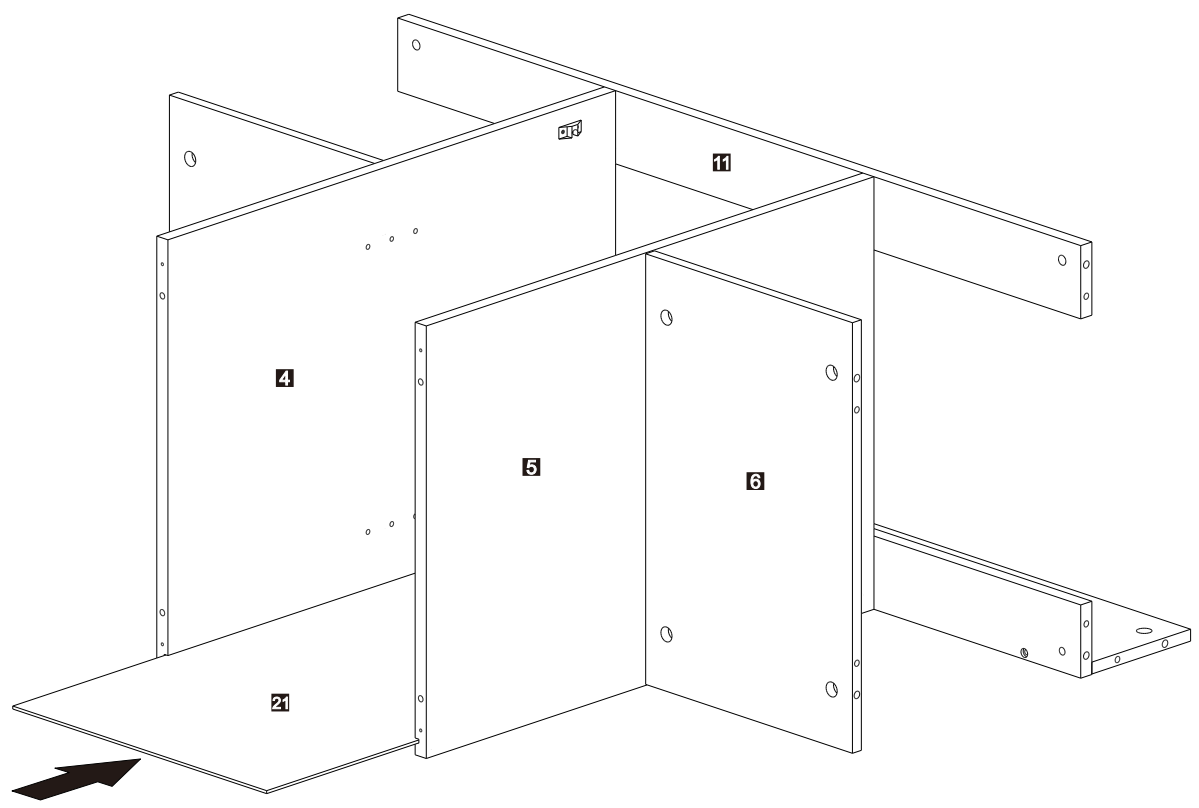
8



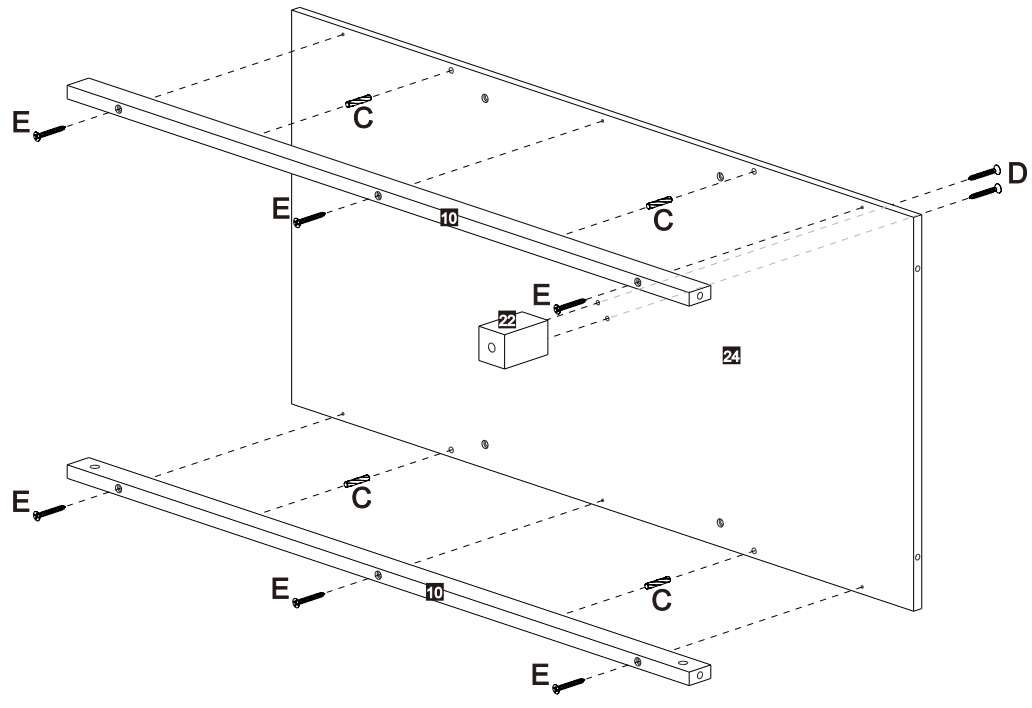
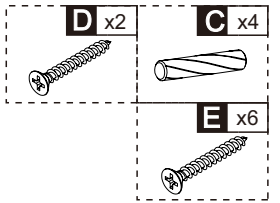
9



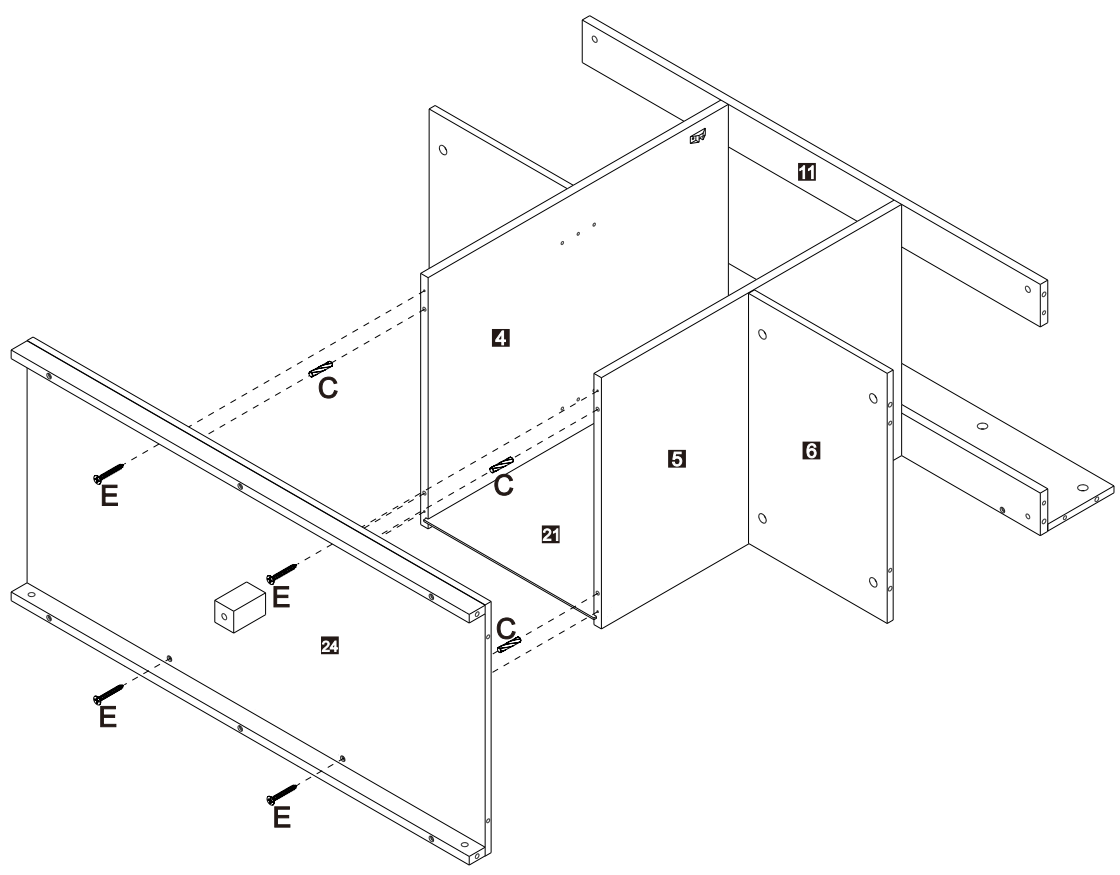
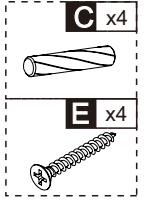
10



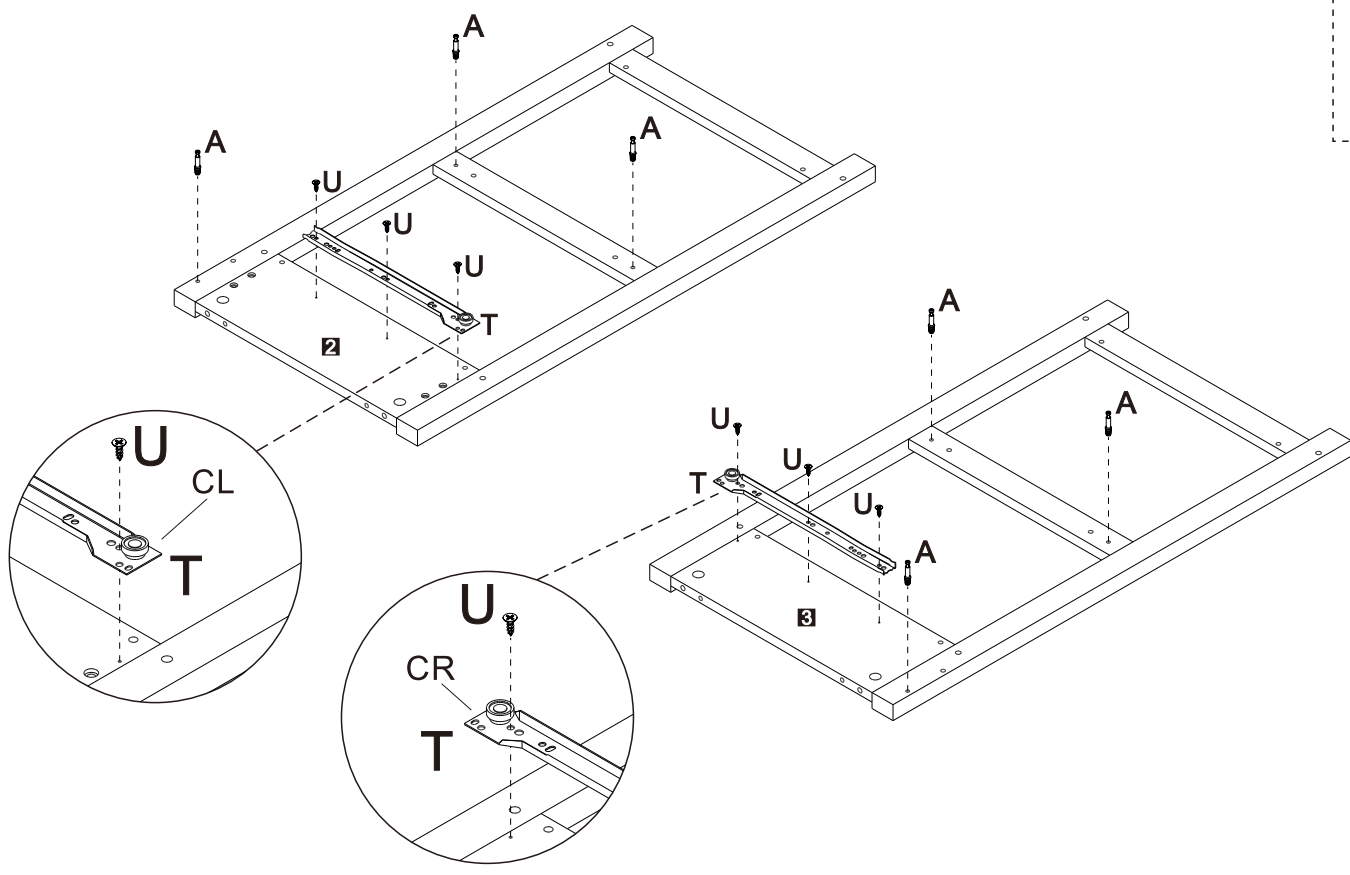
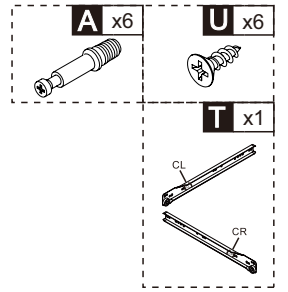
11



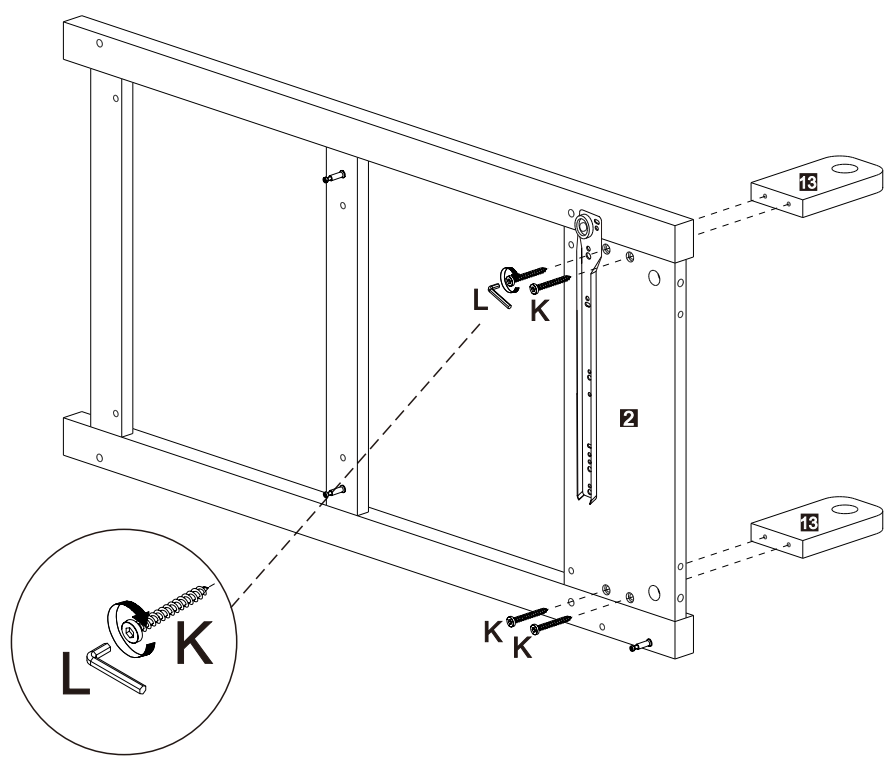
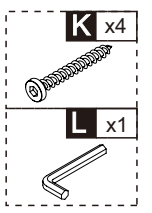
12



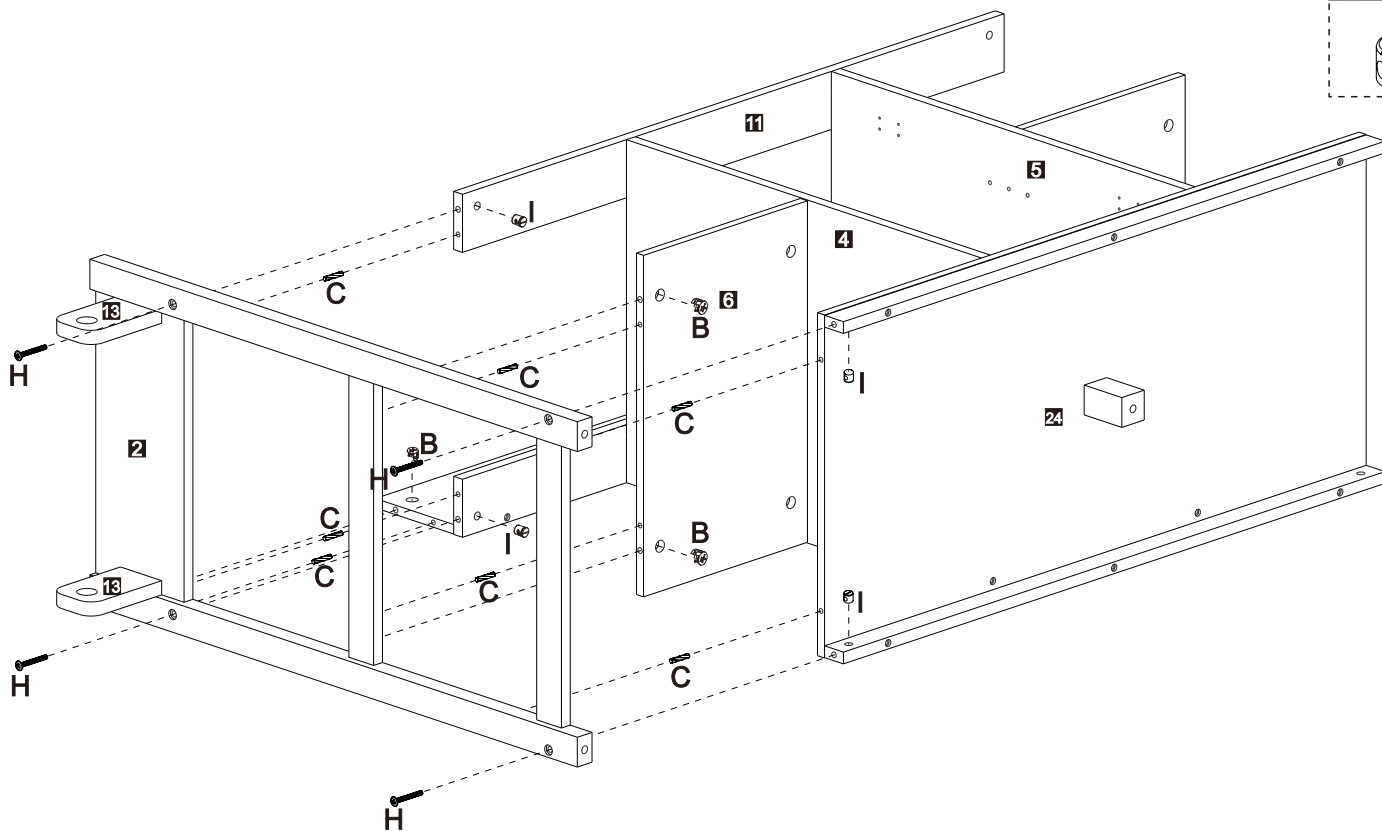
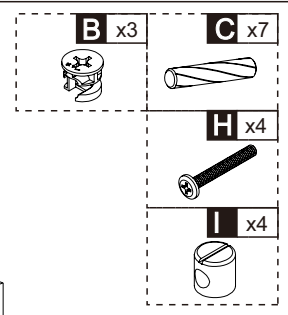
13



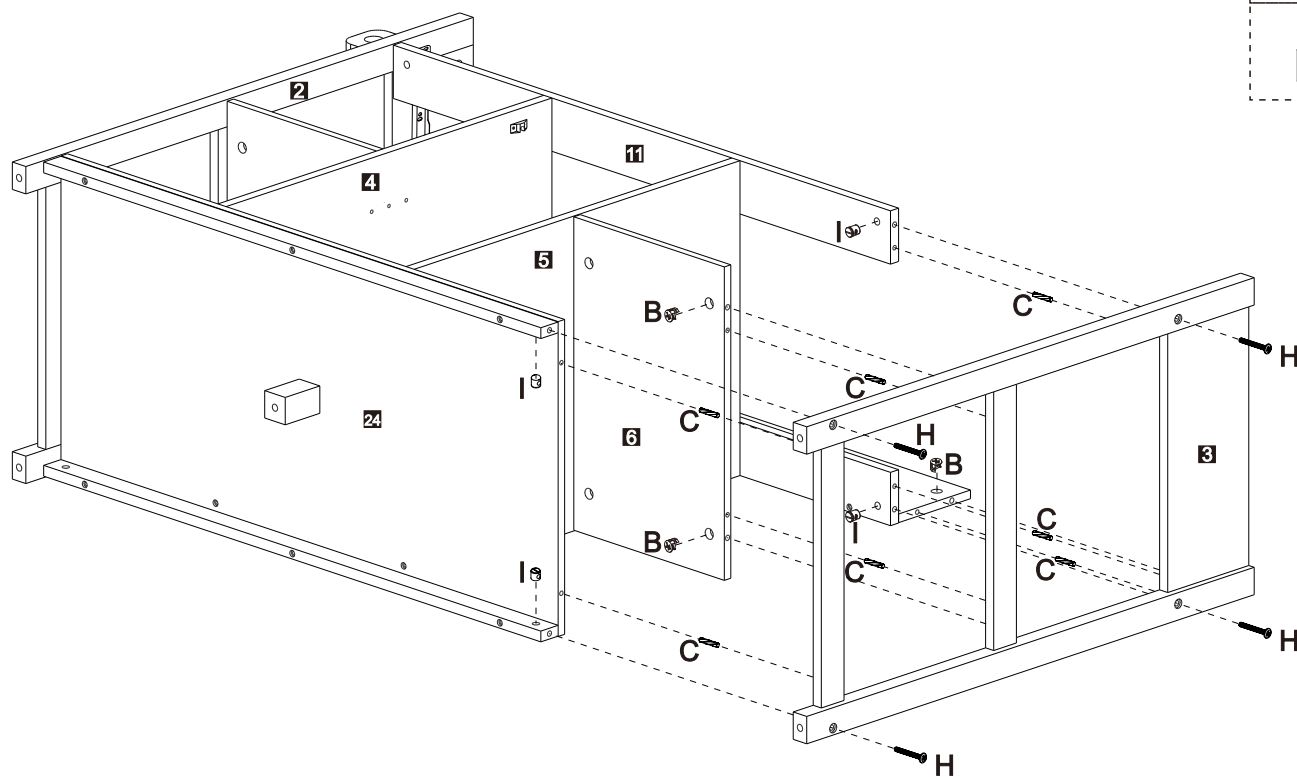
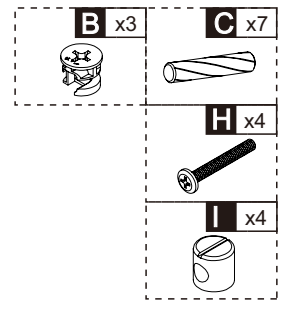
14



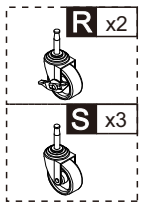
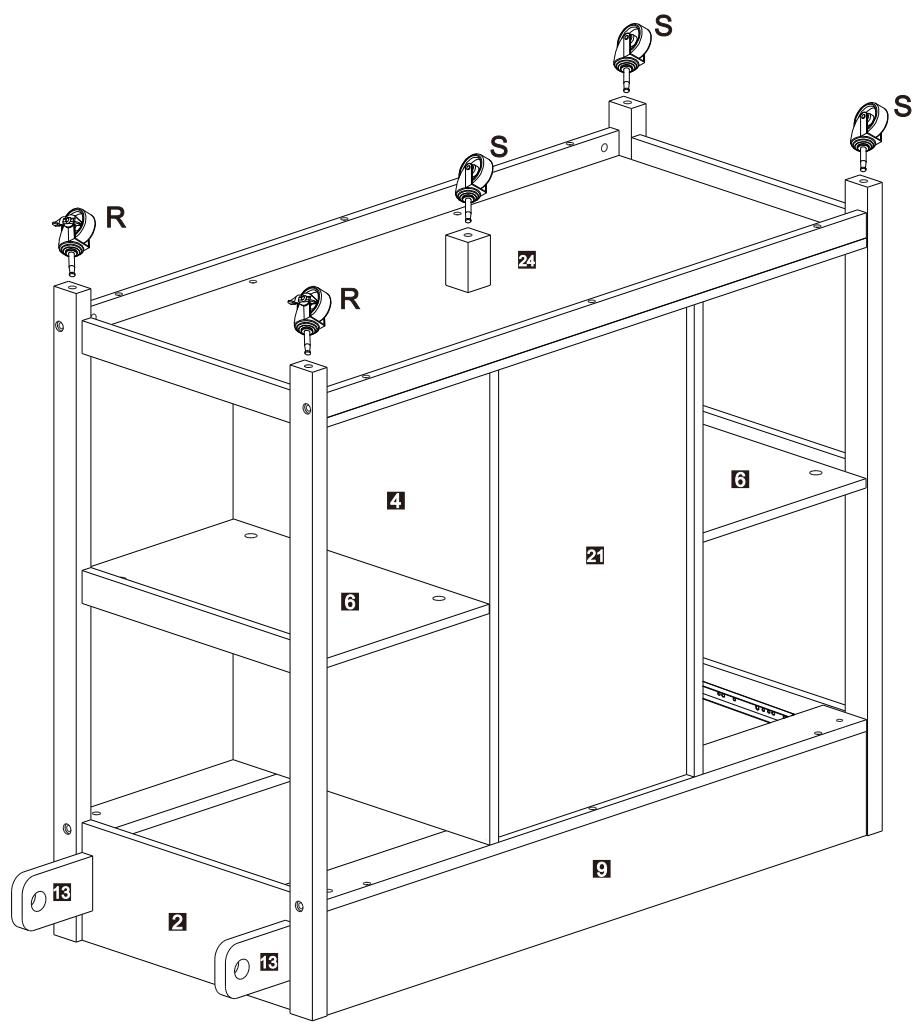
15



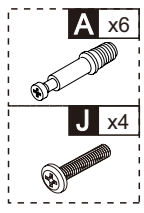
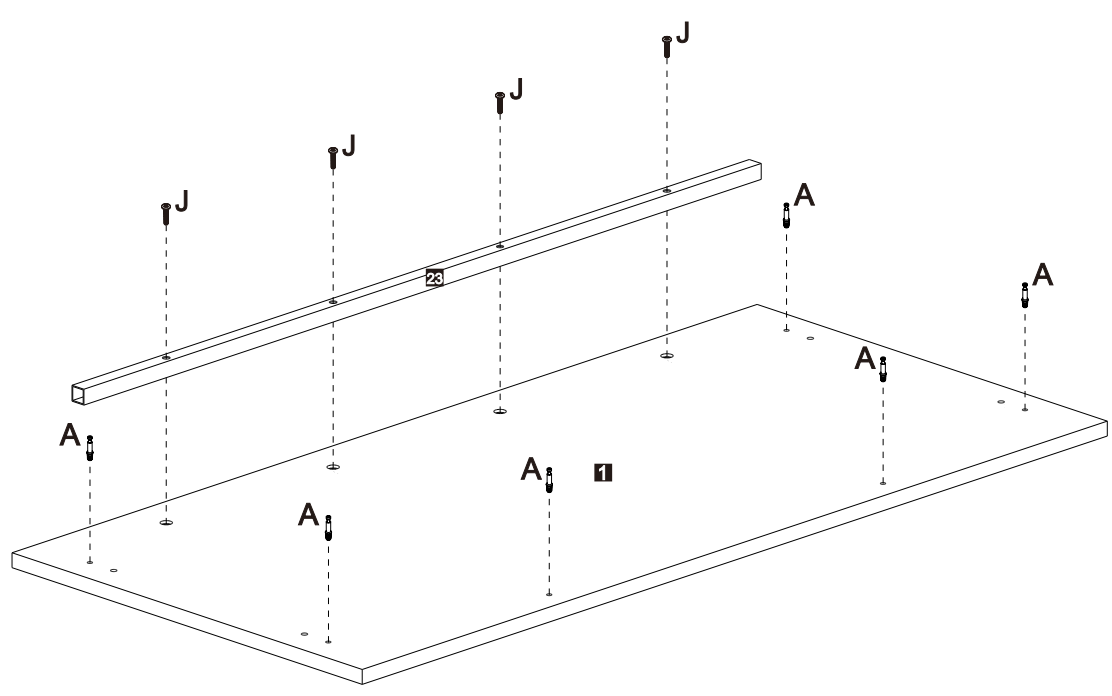
16



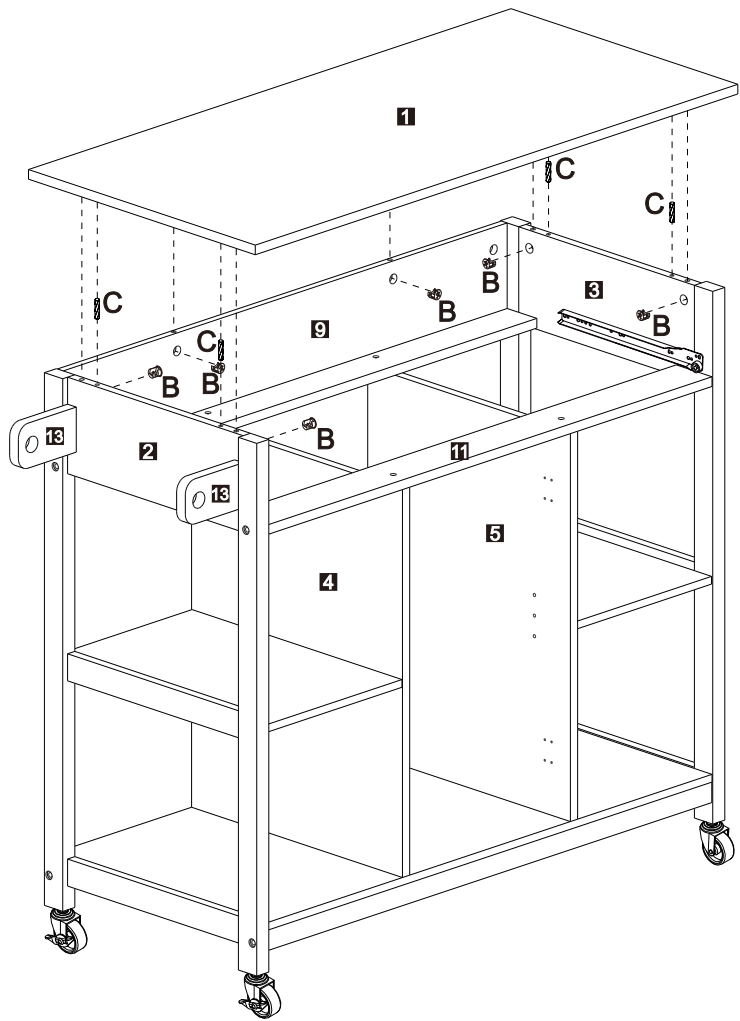
17



18

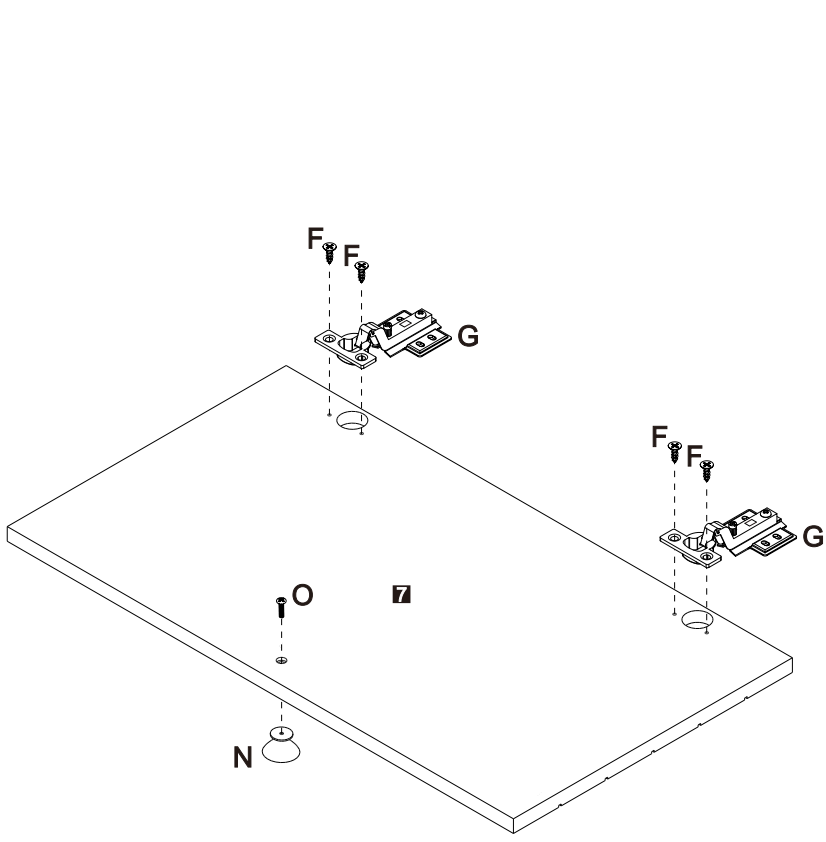


19



- B** x6
- C** x4

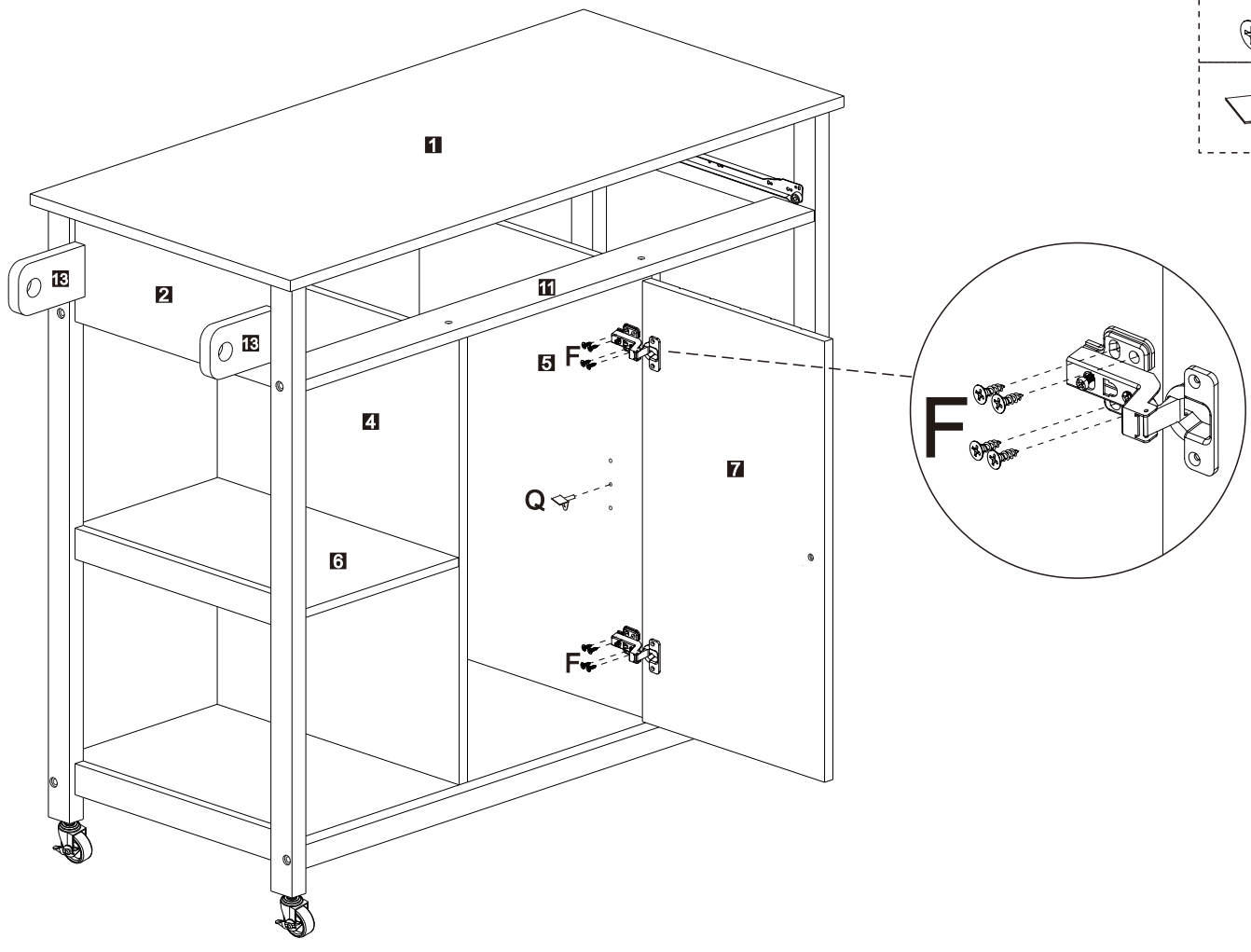
20



- F** x4
- G** x2
- N** x1
- O** x1

21

- F** x8
- Q** x4



22

