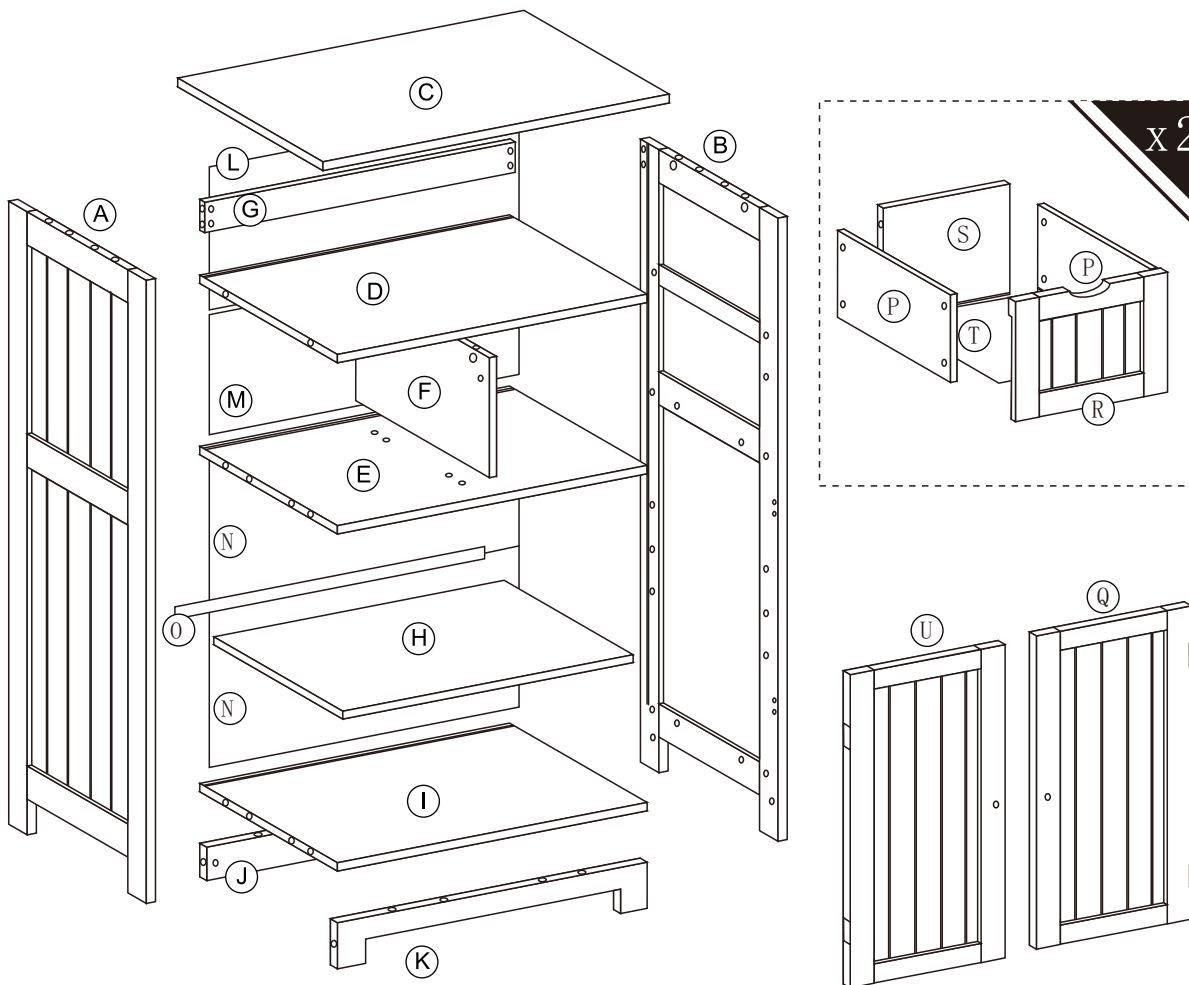
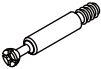
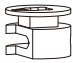


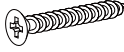
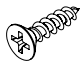
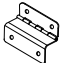



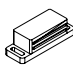











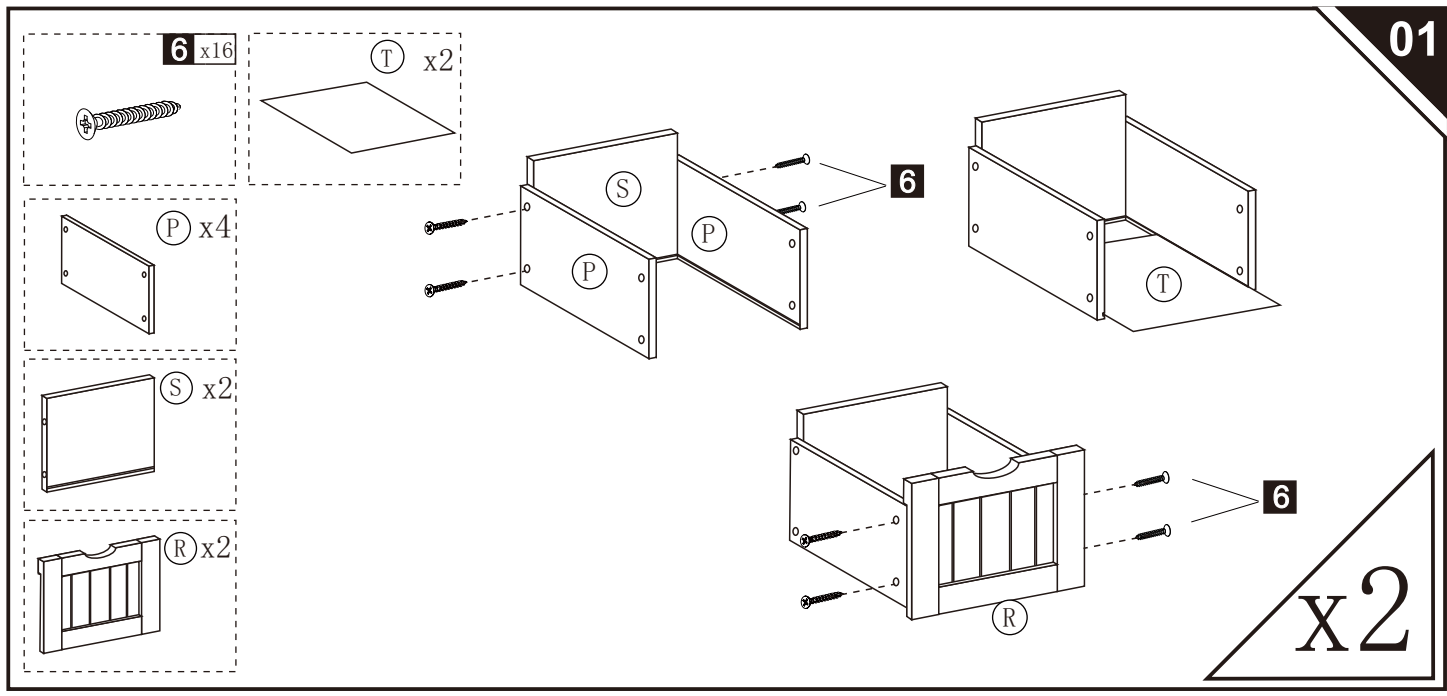
READ AND SAVE THIS INSTRUCTIONS FOR FUTURE USE

# ASSEMBLY & INSTRUCTION MANUAL

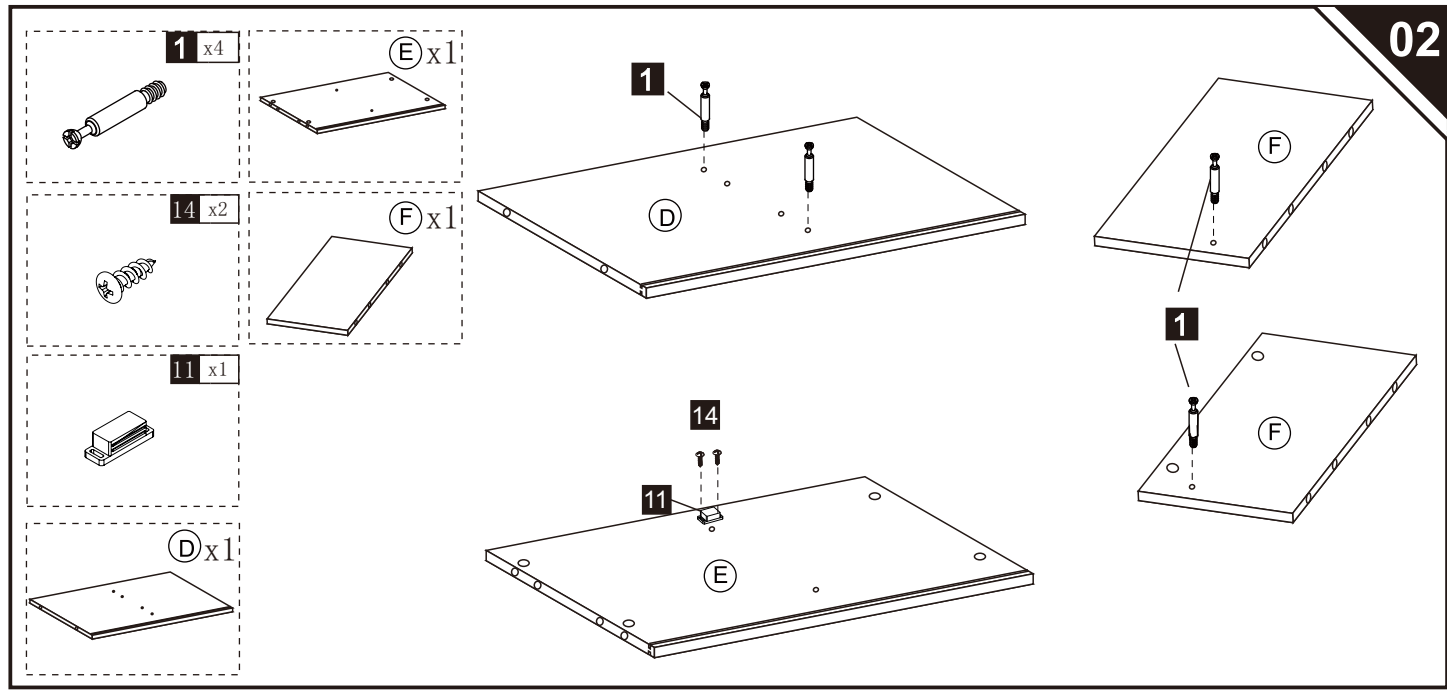


<b>1</b> x26	<b>2</b> x22	<b>3</b> x24	<b>4</b> x3	<b>5</b> x4	<b>6</b> x16
			 Φ 4x35	 Φ 4x40	 Φ 3x20
<b>7</b> x4	<b>8</b> x18	<b>9</b> x8	<b>10</b> x8	<b>11</b> x1	<b>12</b> x2
	 Φ 3x12		 Φ 3x14		
<b>13</b> x4	<b>14</b> x2	<b>15</b> x2	<b>16</b> x2	<b>17</b> x1	<b>18</b> x1
	 Φ 2.5x14		 Φ 4x20	 Φ 2.5x12	
<b>19</b> x1	<b>20</b> x2				
					

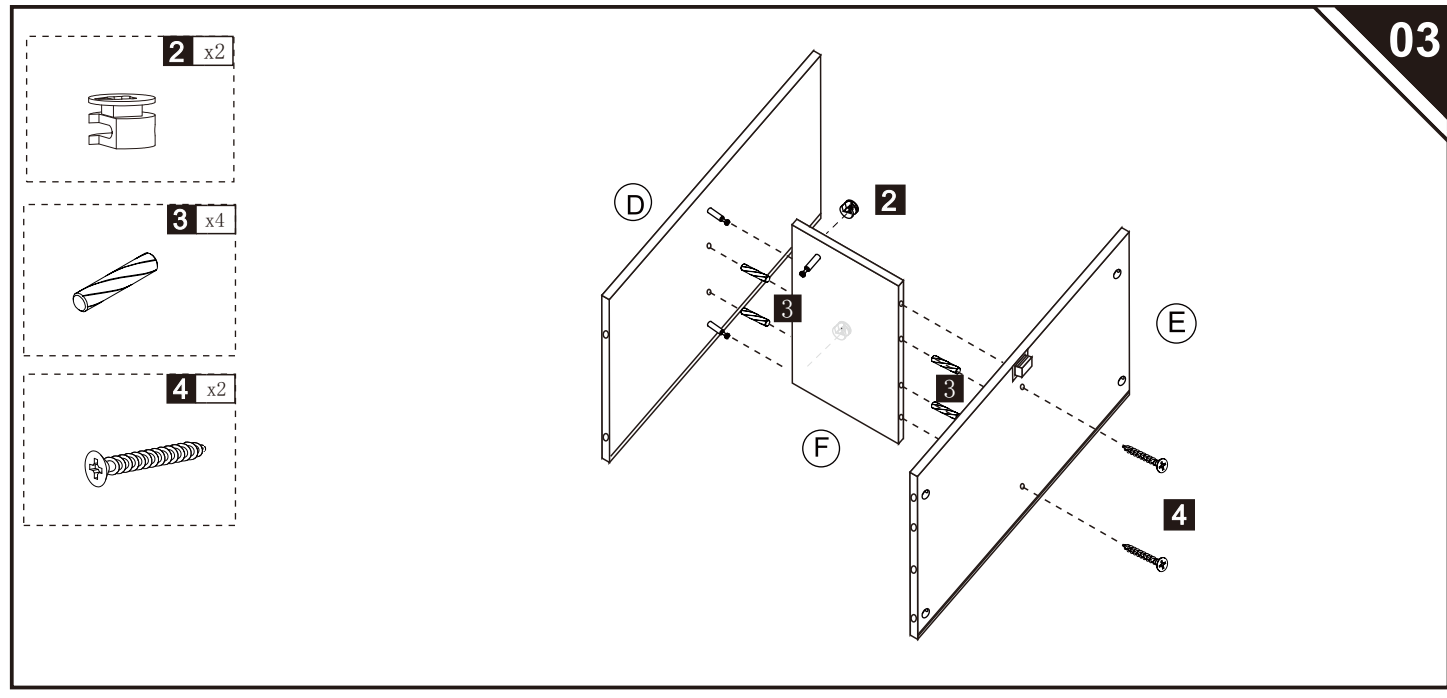
01

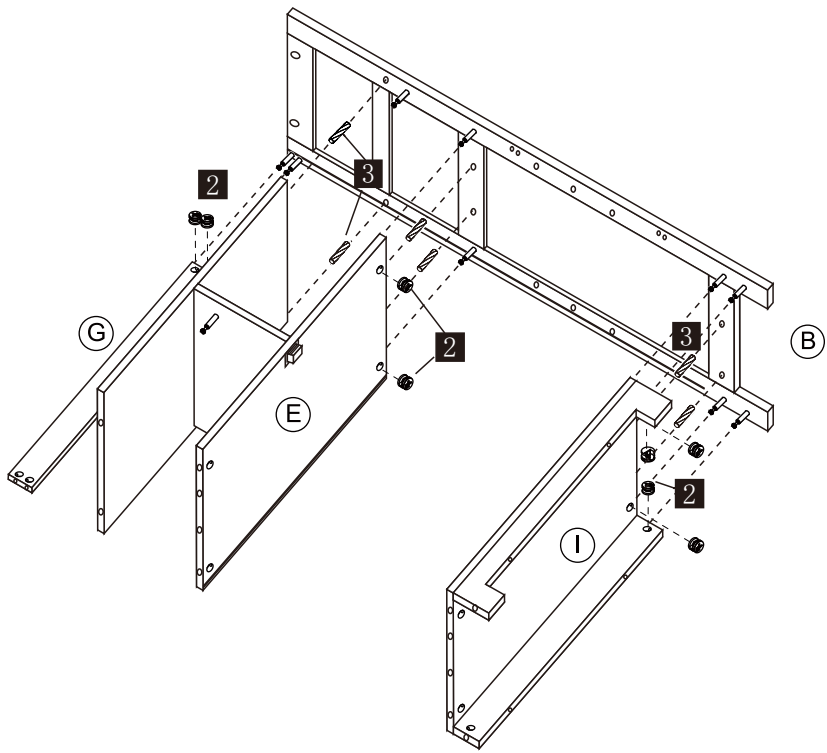
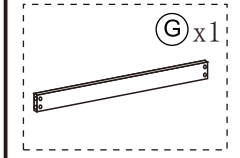
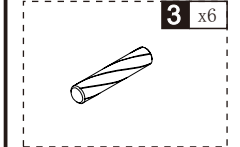
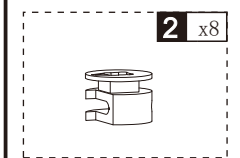
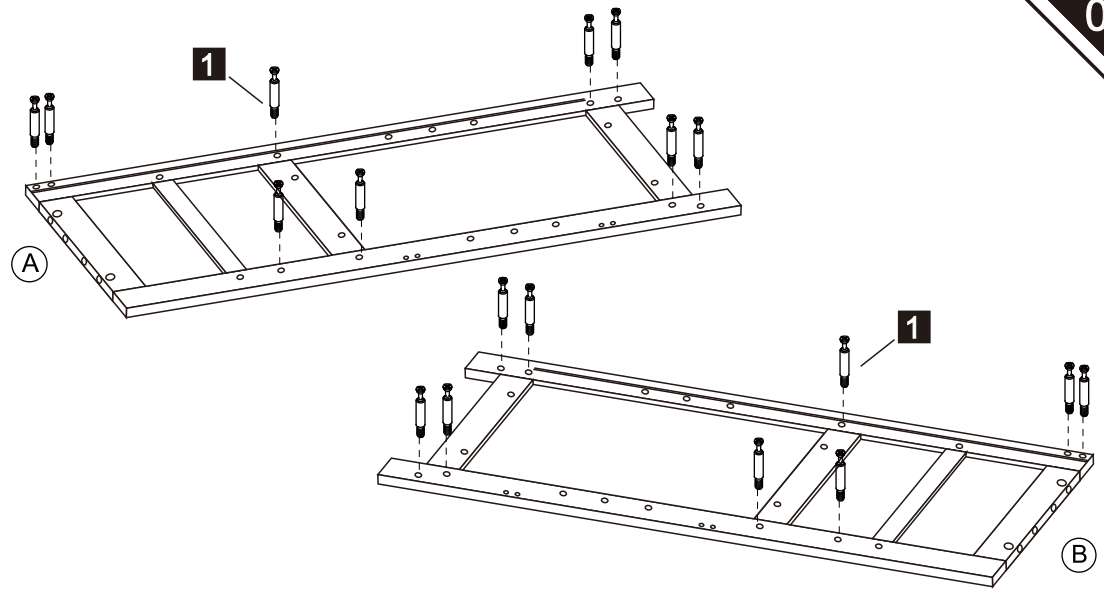
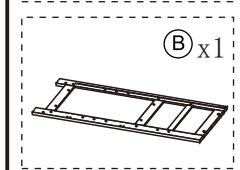
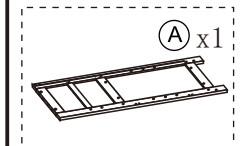
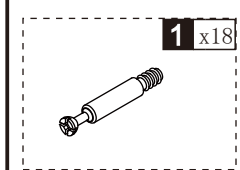
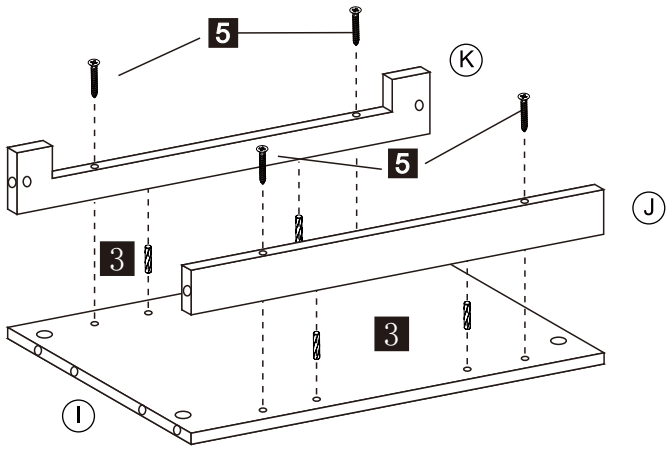
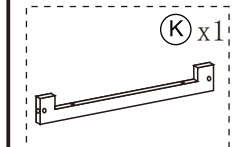
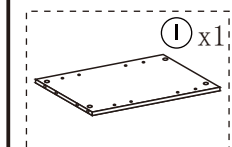
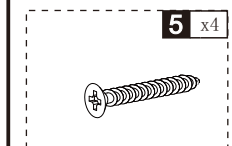
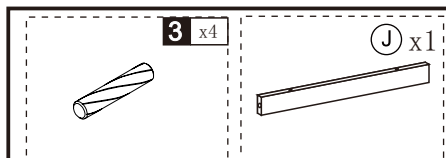


02



03





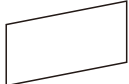
2 x8



3 x6



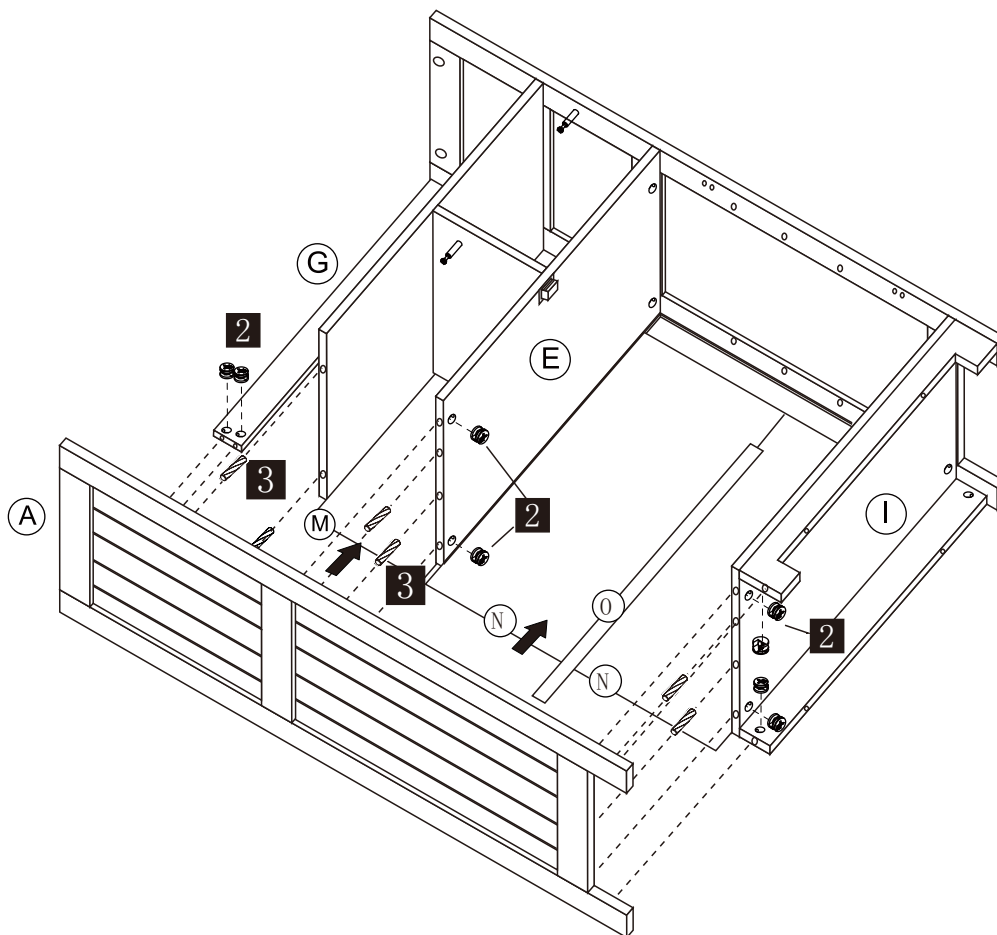
M x1



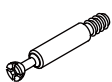
O x1



N x2



1 x4



2 x4



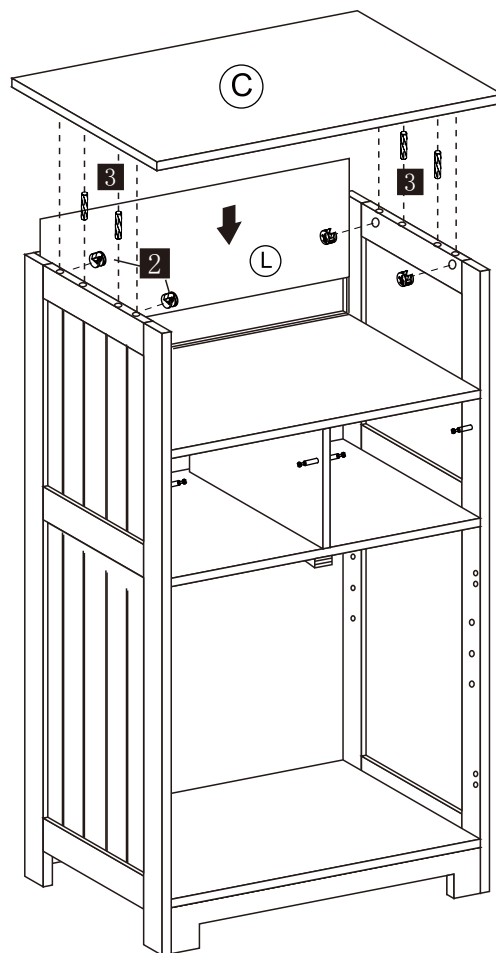
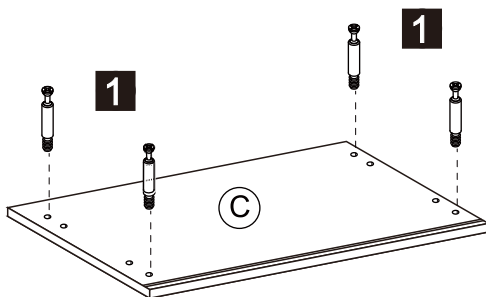
3 x4

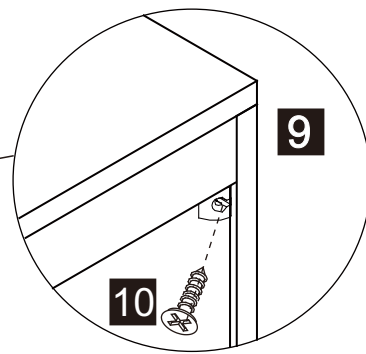
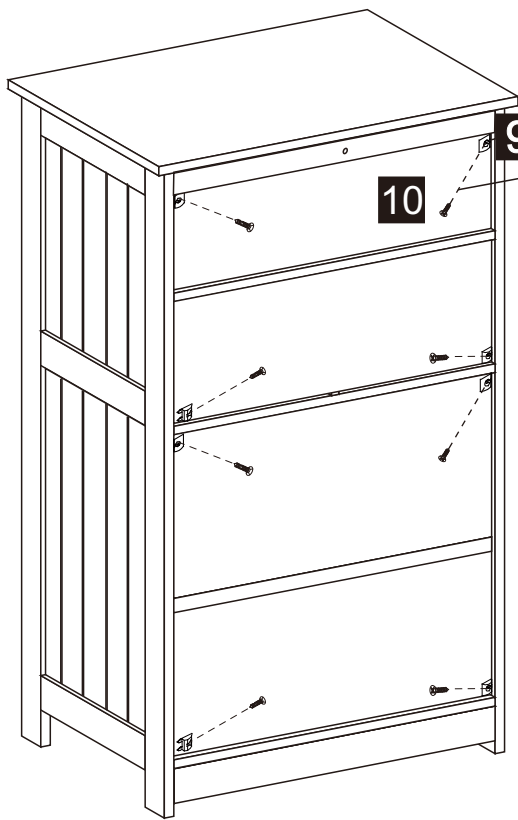
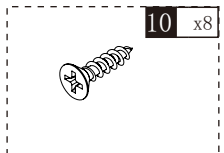
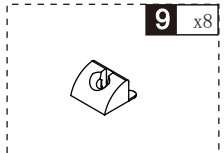
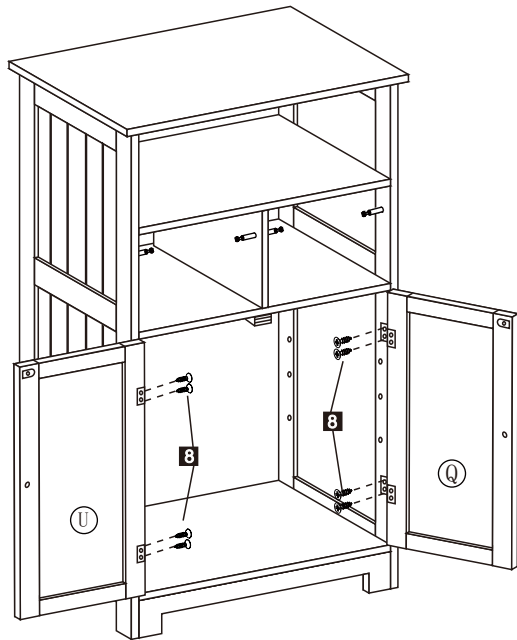
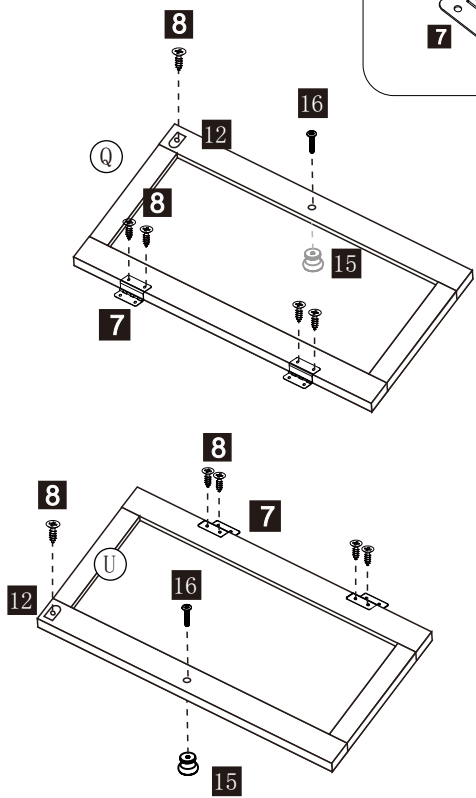
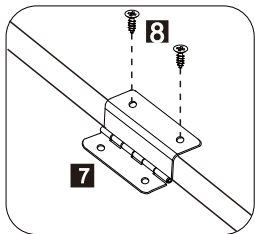
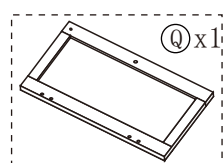
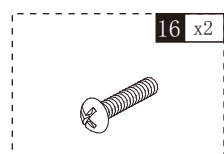
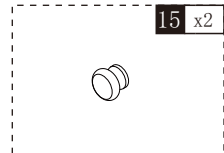
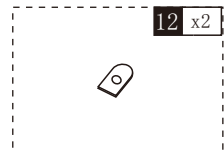
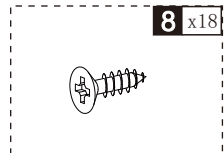
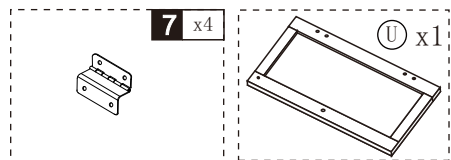


C x1



L x1

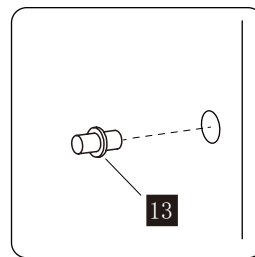
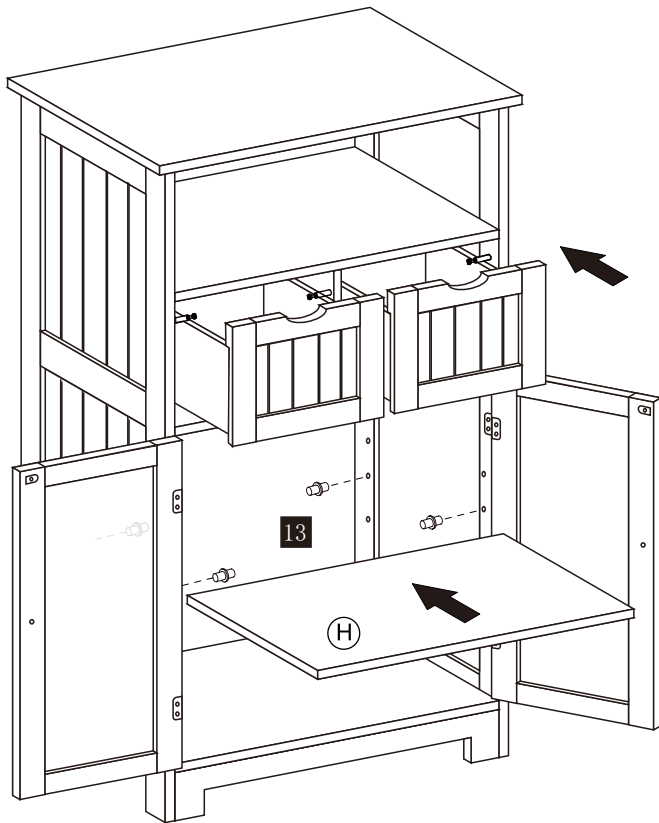




13 x4



H x1



4 x1



17 x1



18 x1



19 x1



20 x2

