

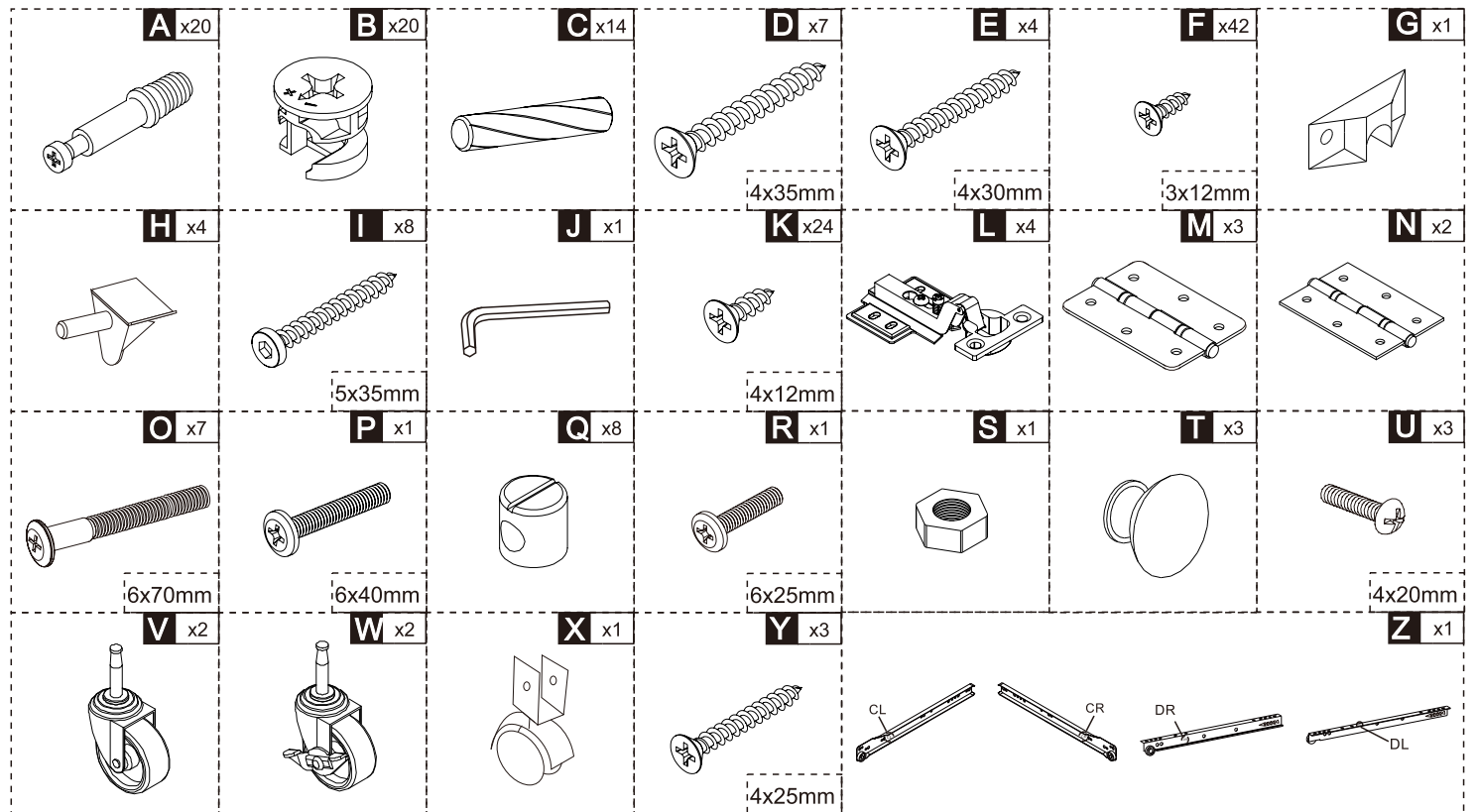
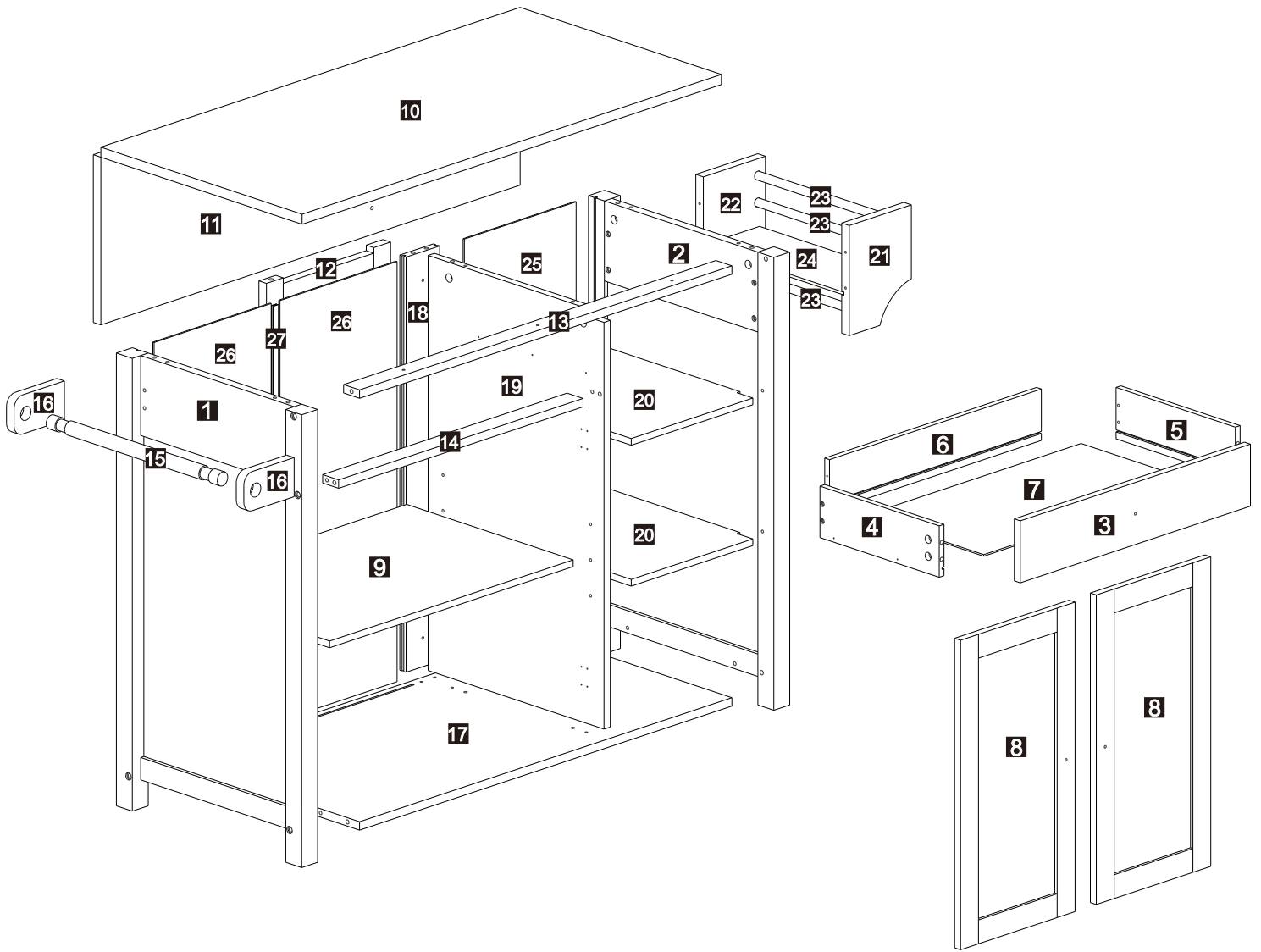
**Attention please :**

**Improper use of screws may cause the product surface damage!  
Please be careful when installing.**

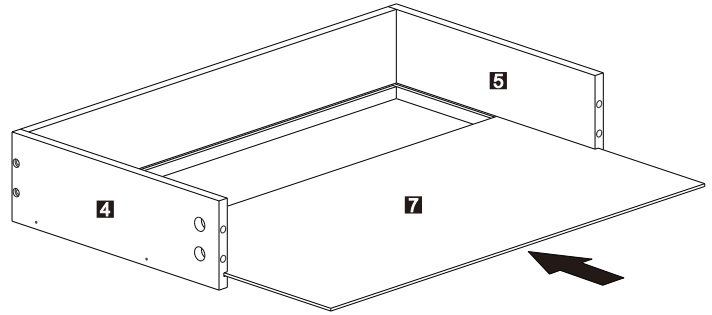
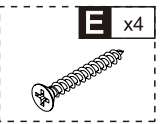
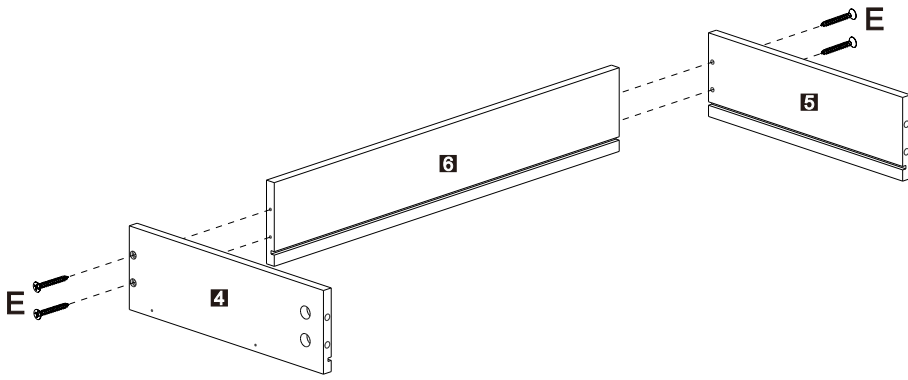
**To prevent you from confusing the accessories and boards, Please do not mix the parts of different units when you buy two or more products at the same time.**

**READ AND SAVE THIS INSTRUCTIONS FOR FUTURE USE**

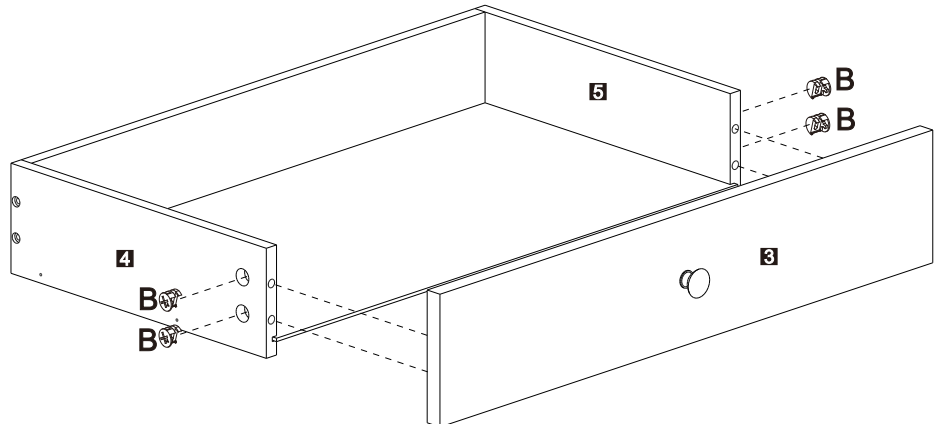
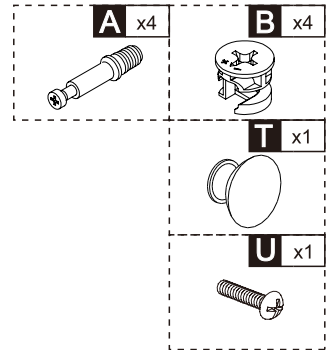
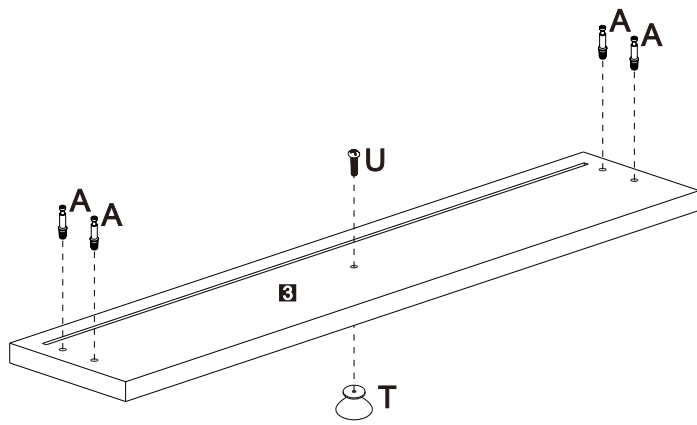
**ASSEMBLY & INSTRUCTION MANUAL**



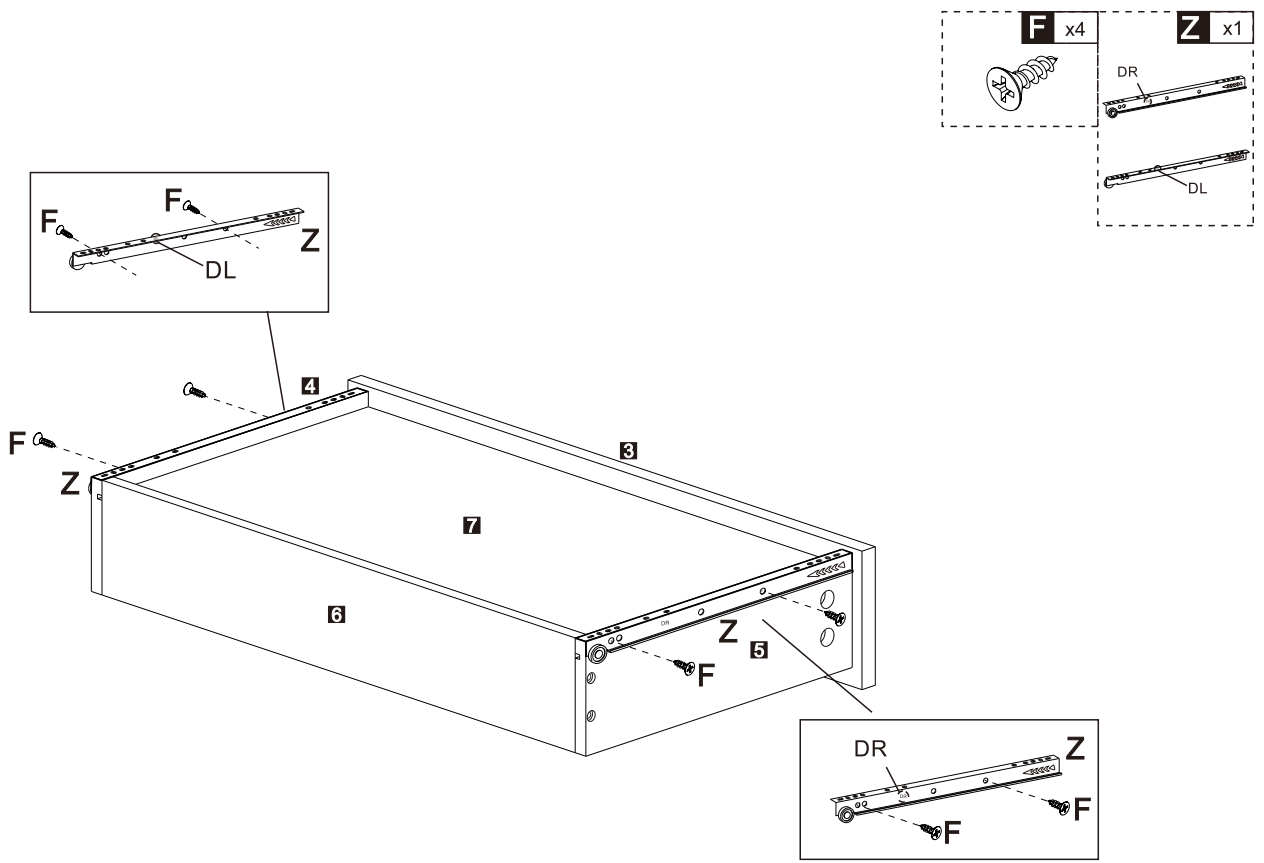
1



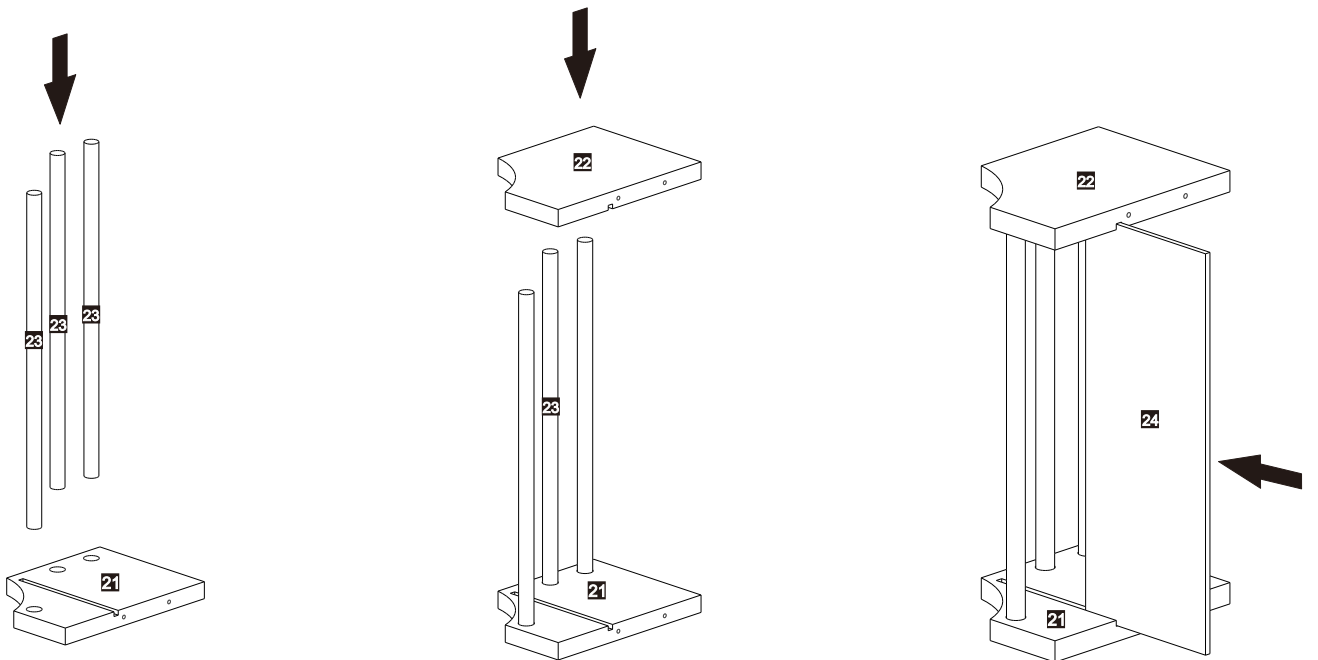
2



3

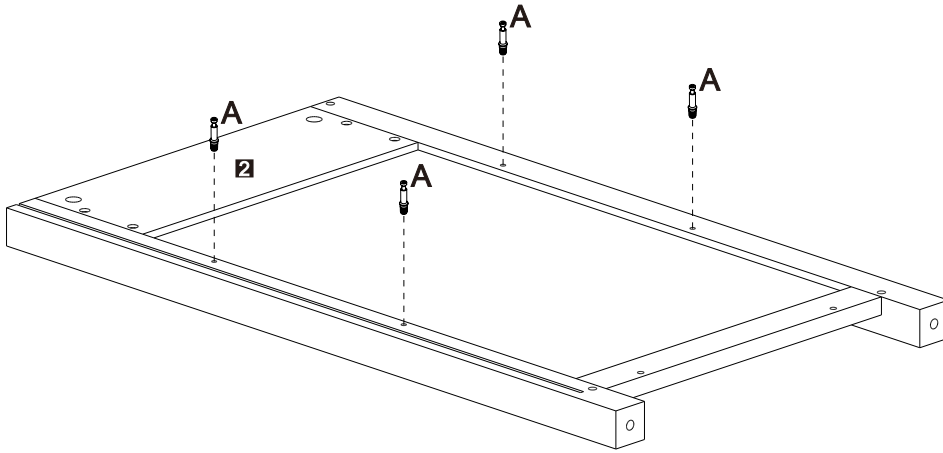
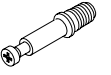


4



5

A x4

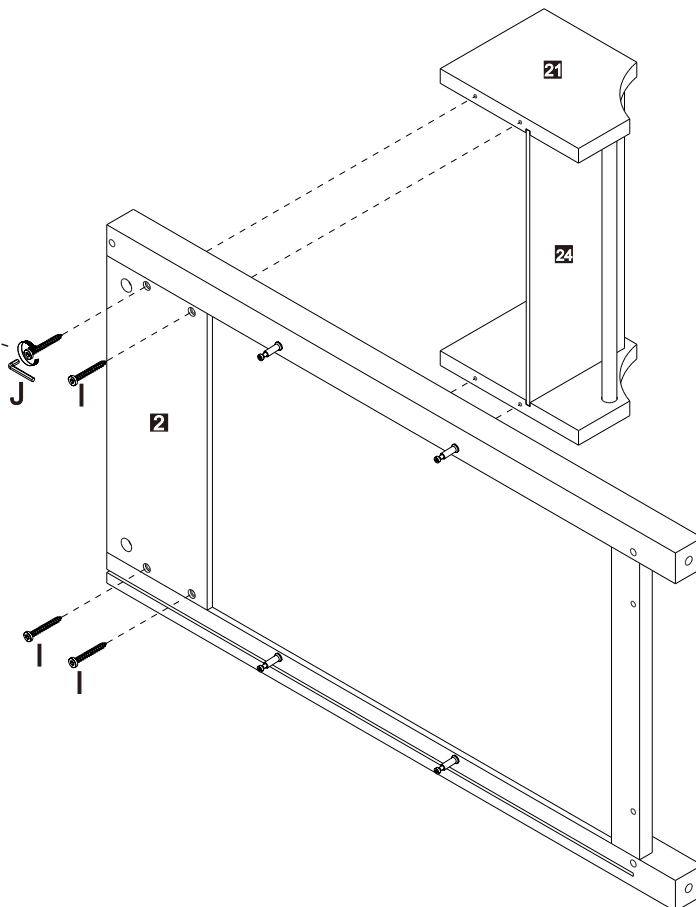
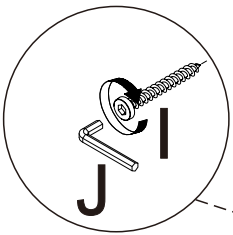


6

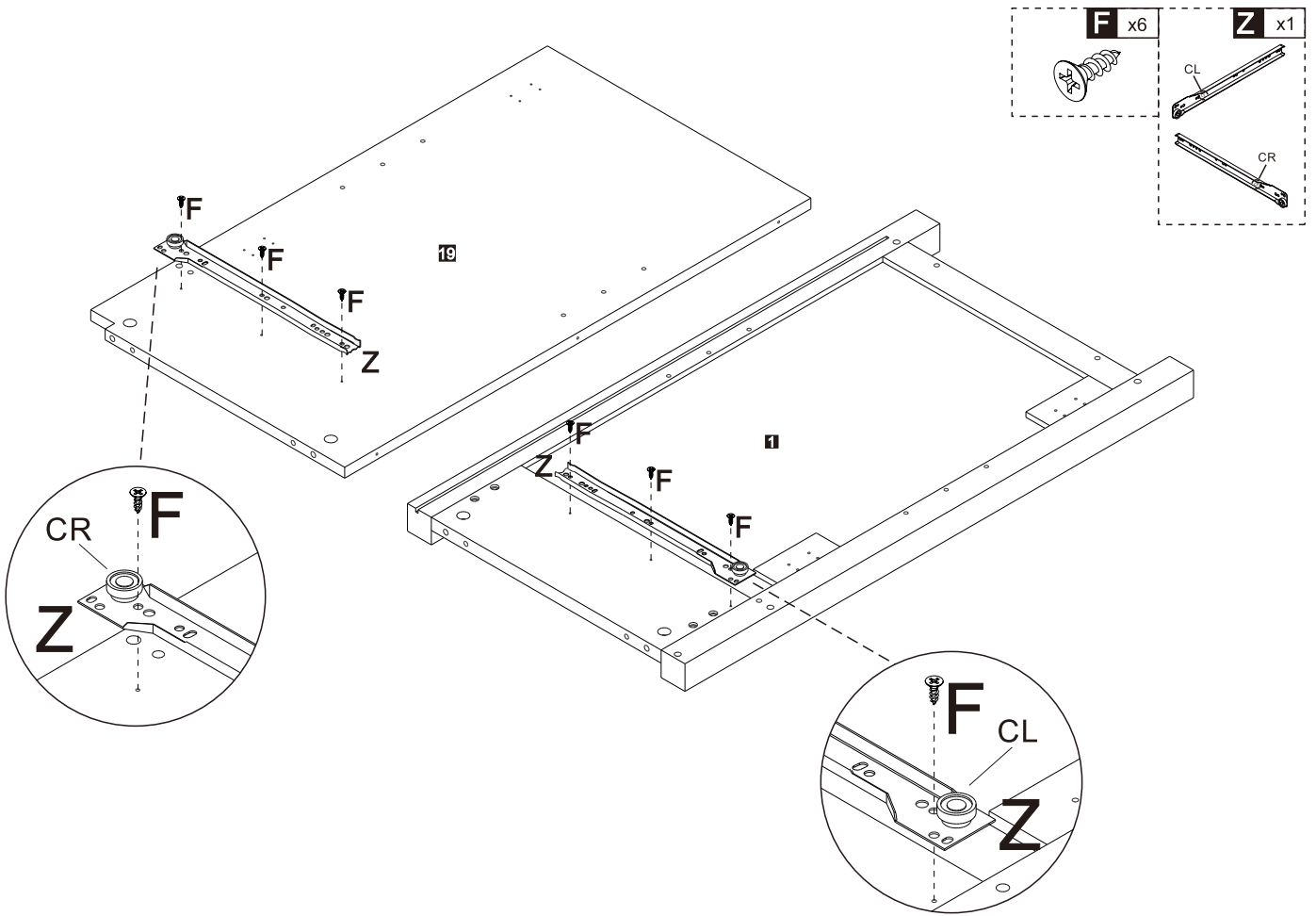
I x4



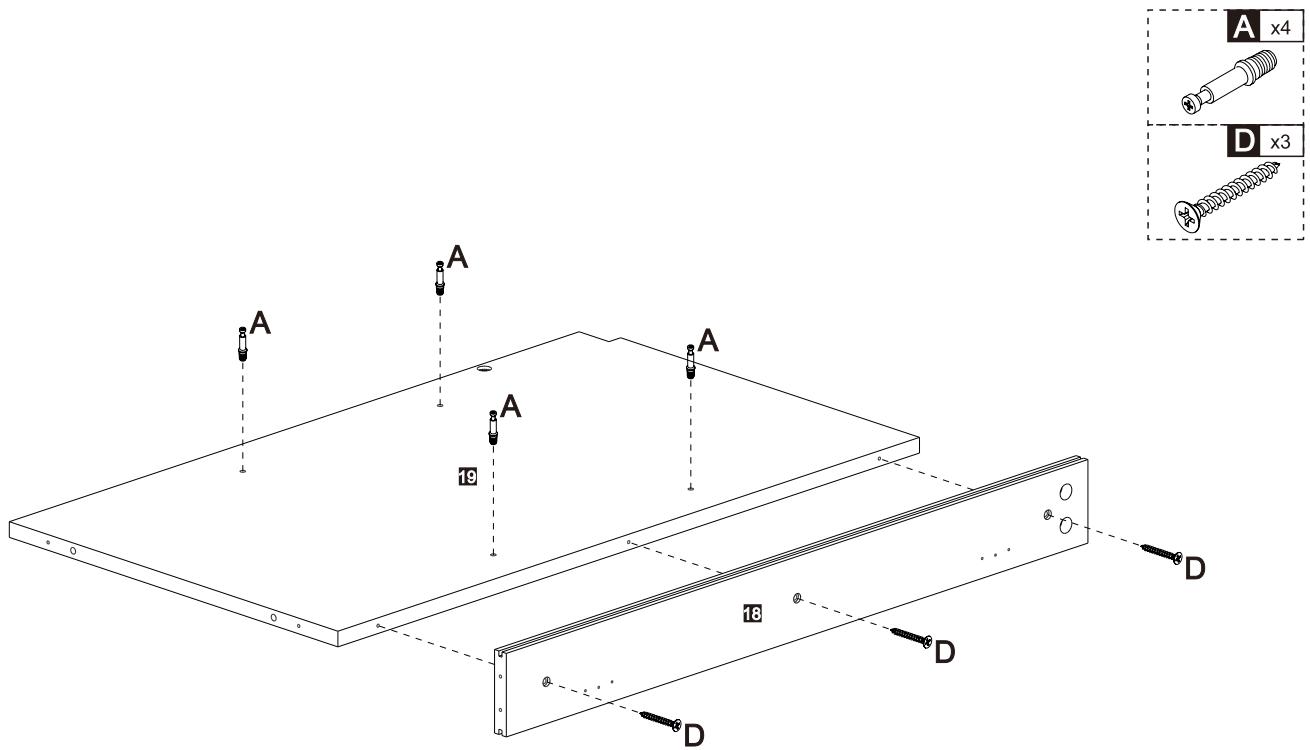
J x1



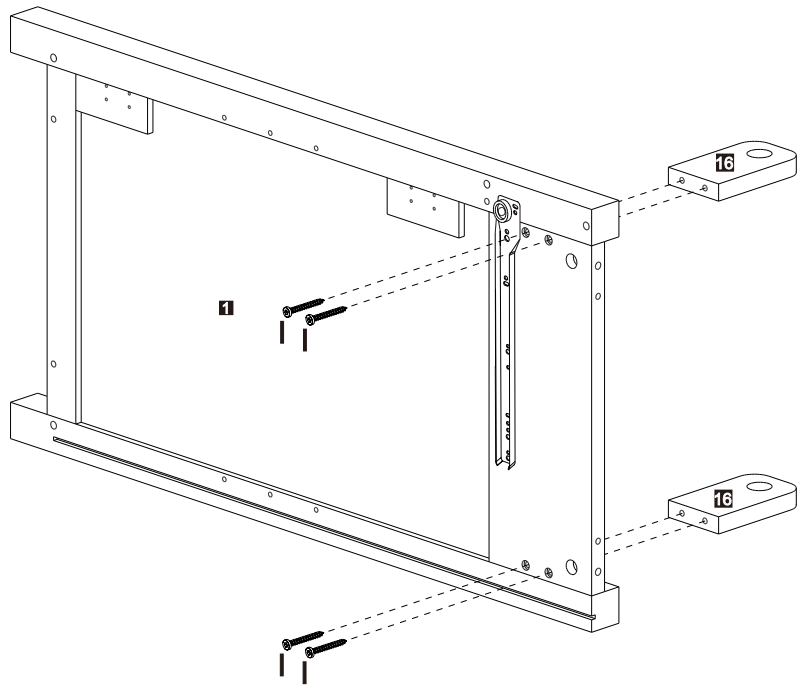
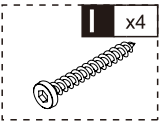
7



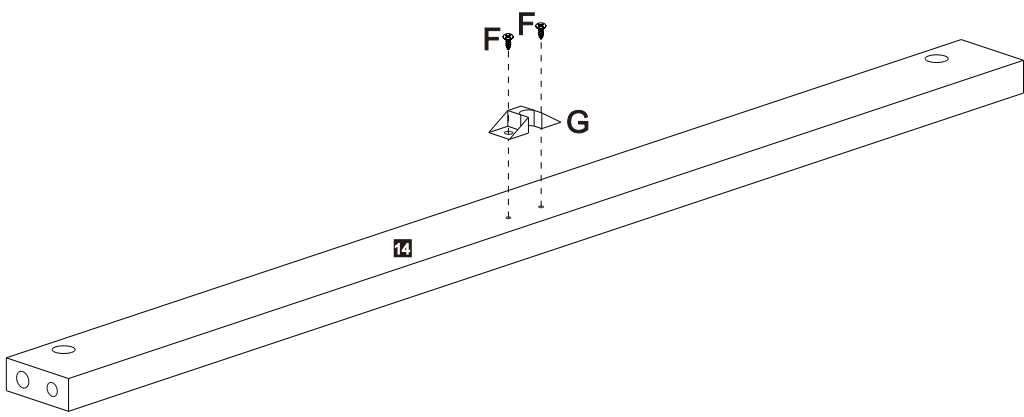
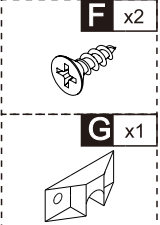
8



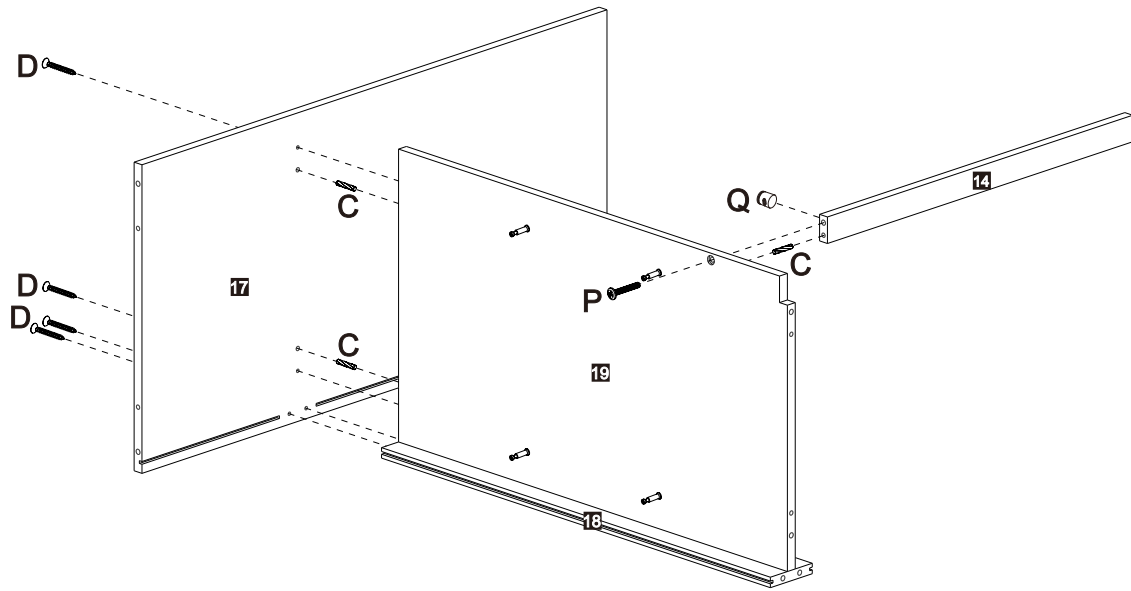
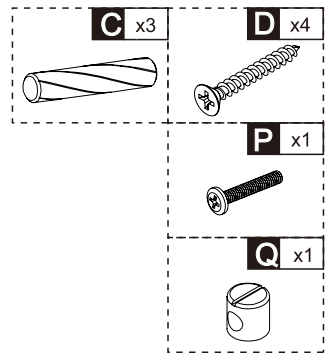
9



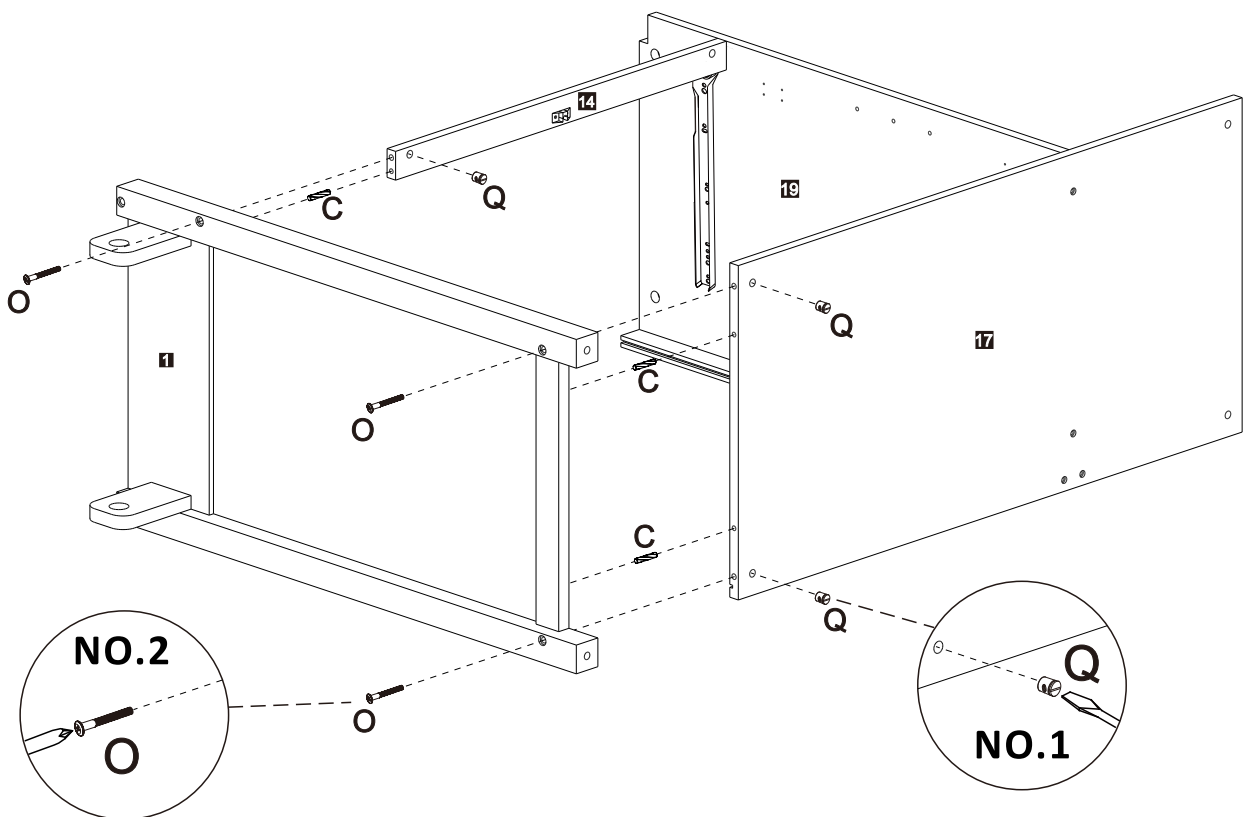
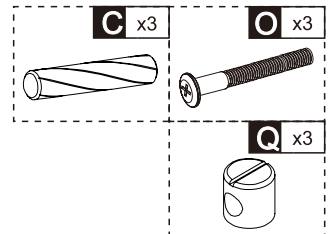
10



11

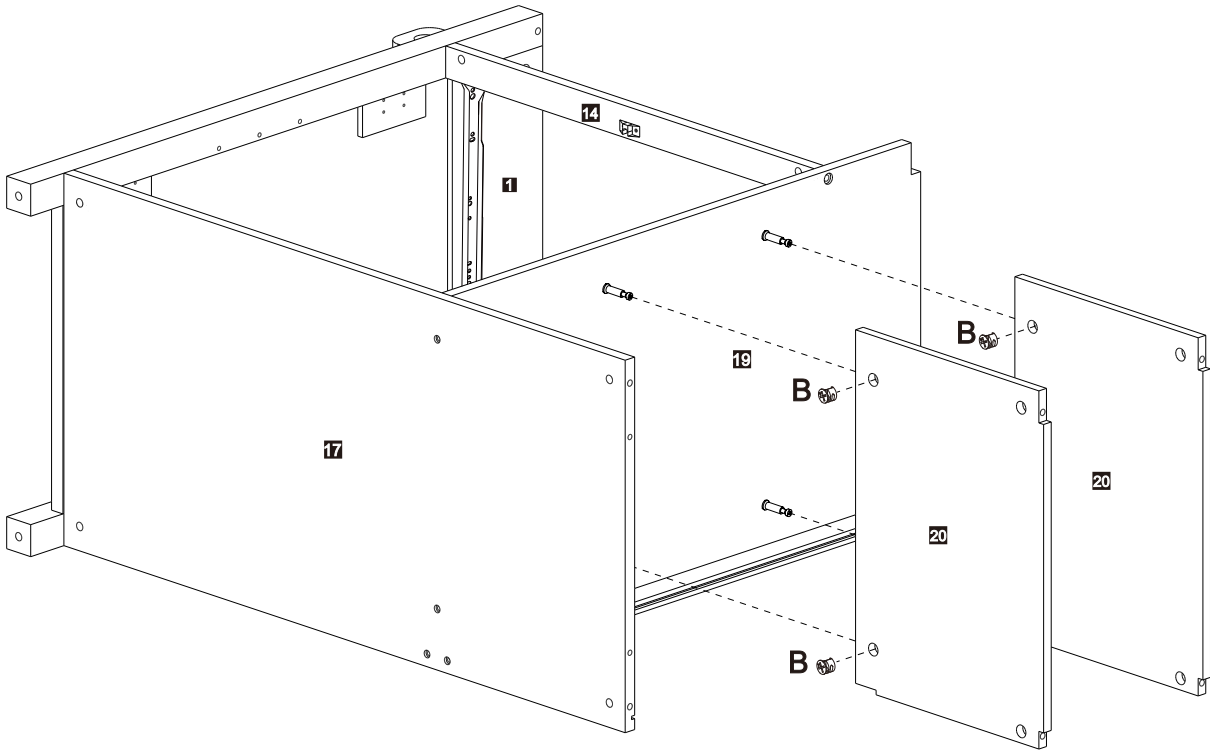
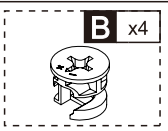


12

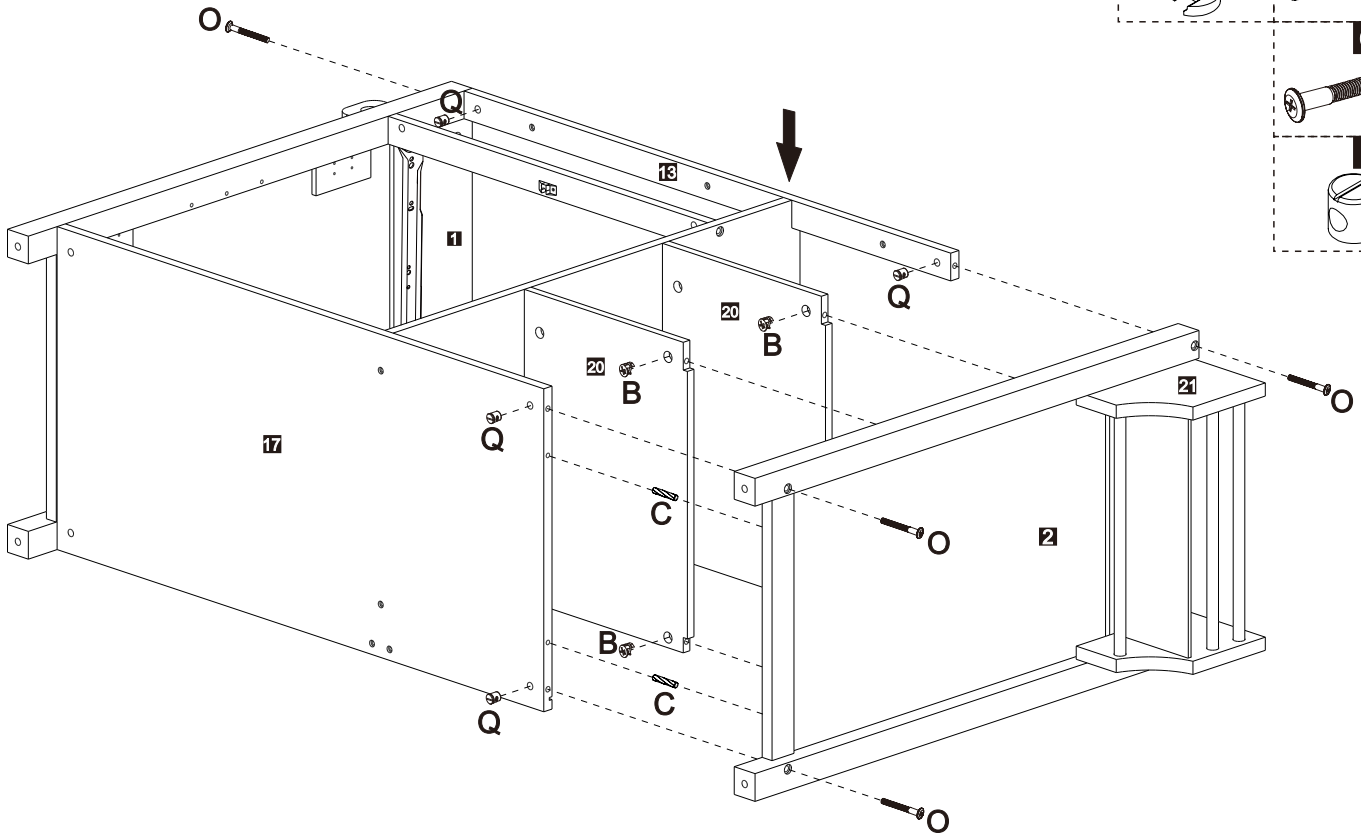
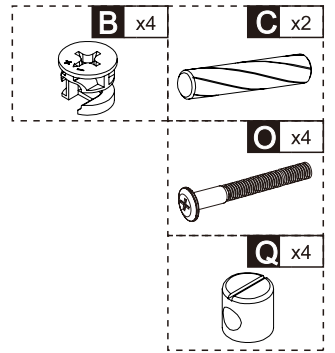




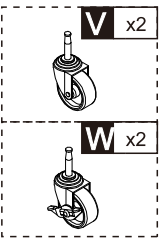
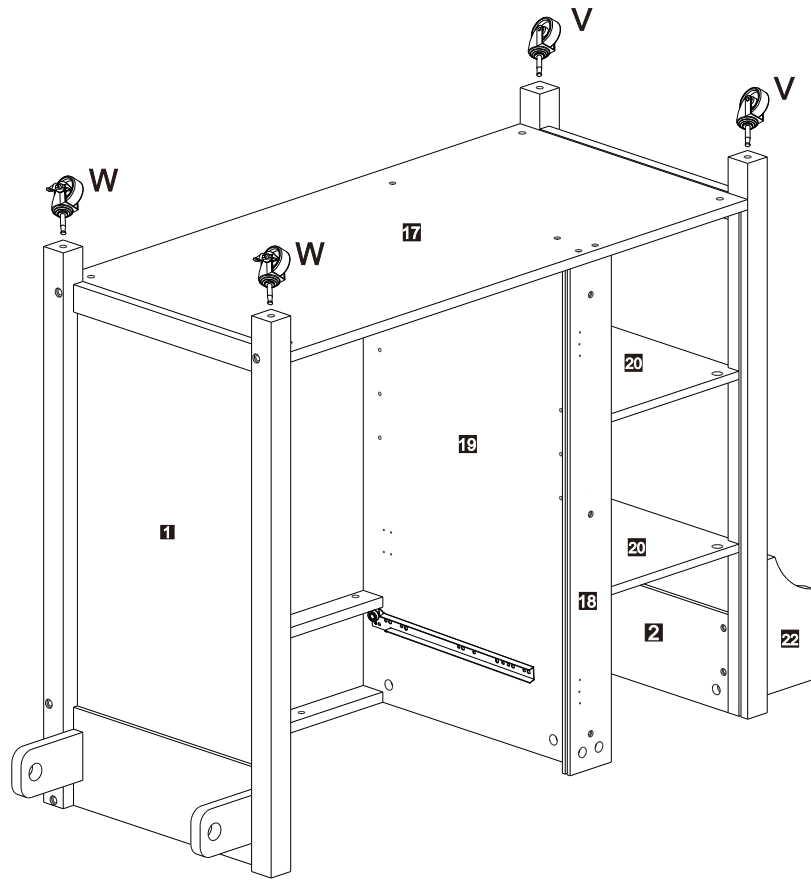
13



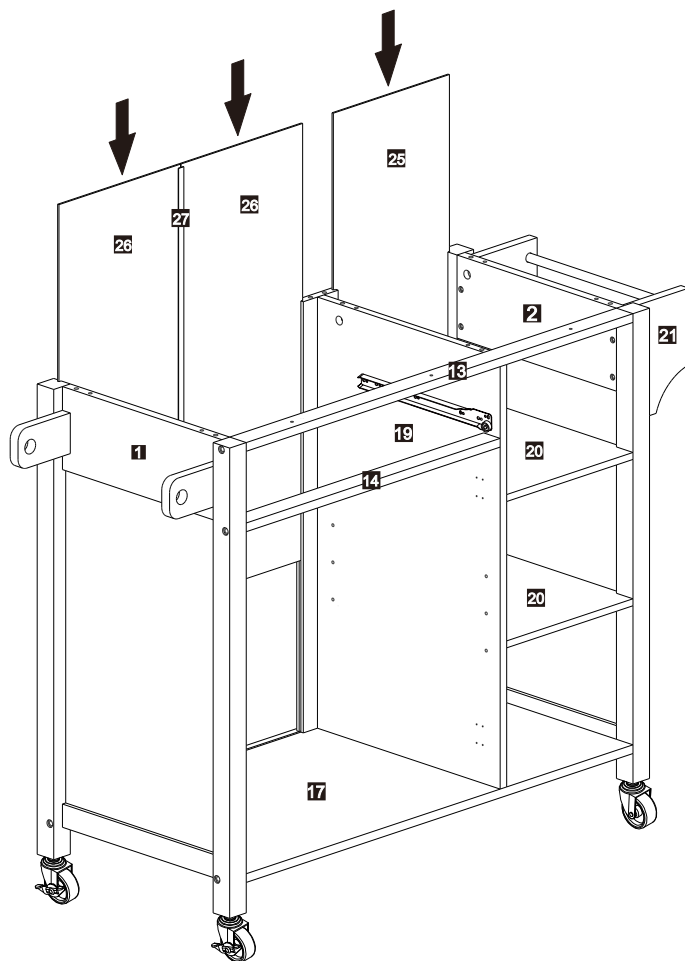
14



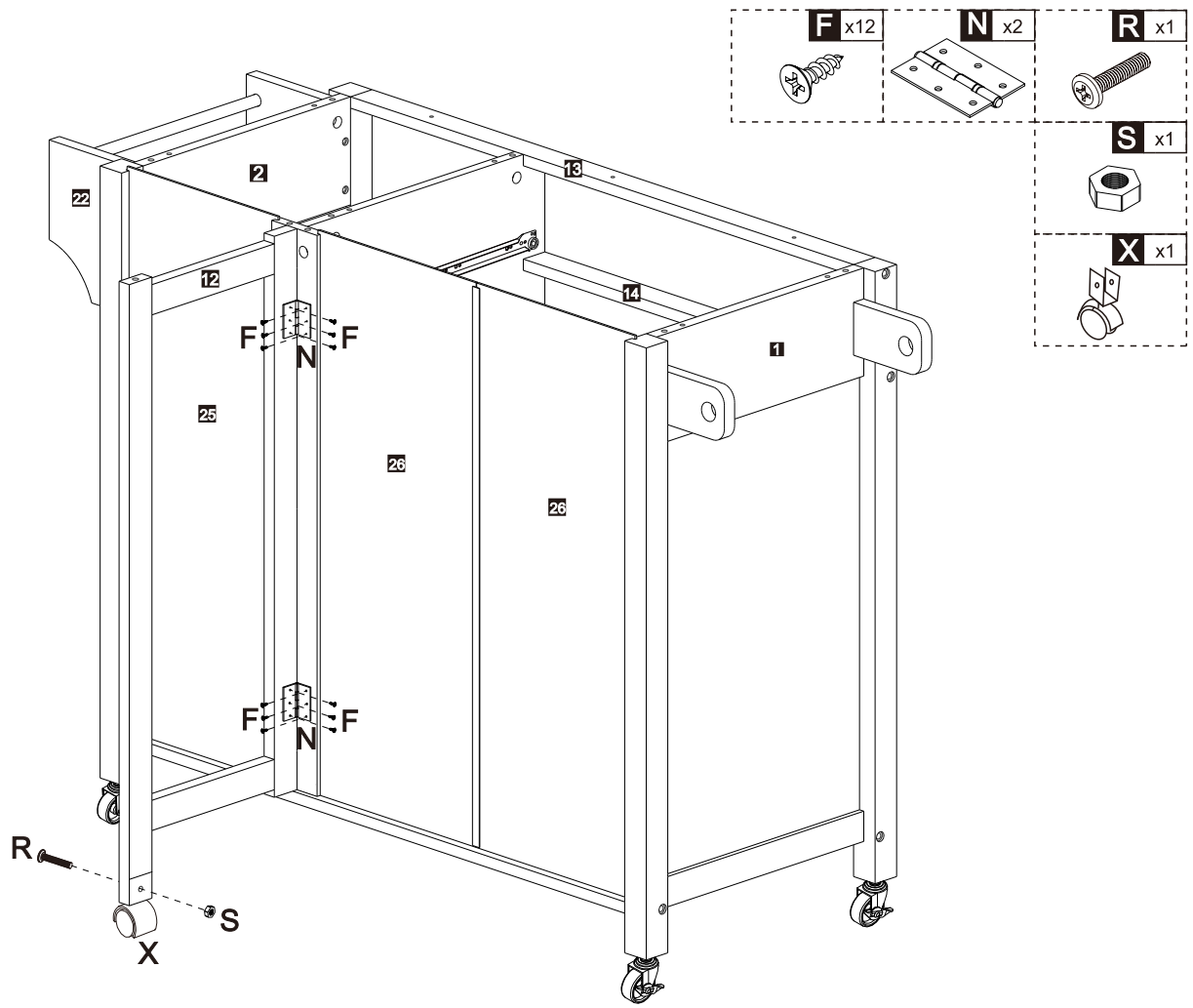
15



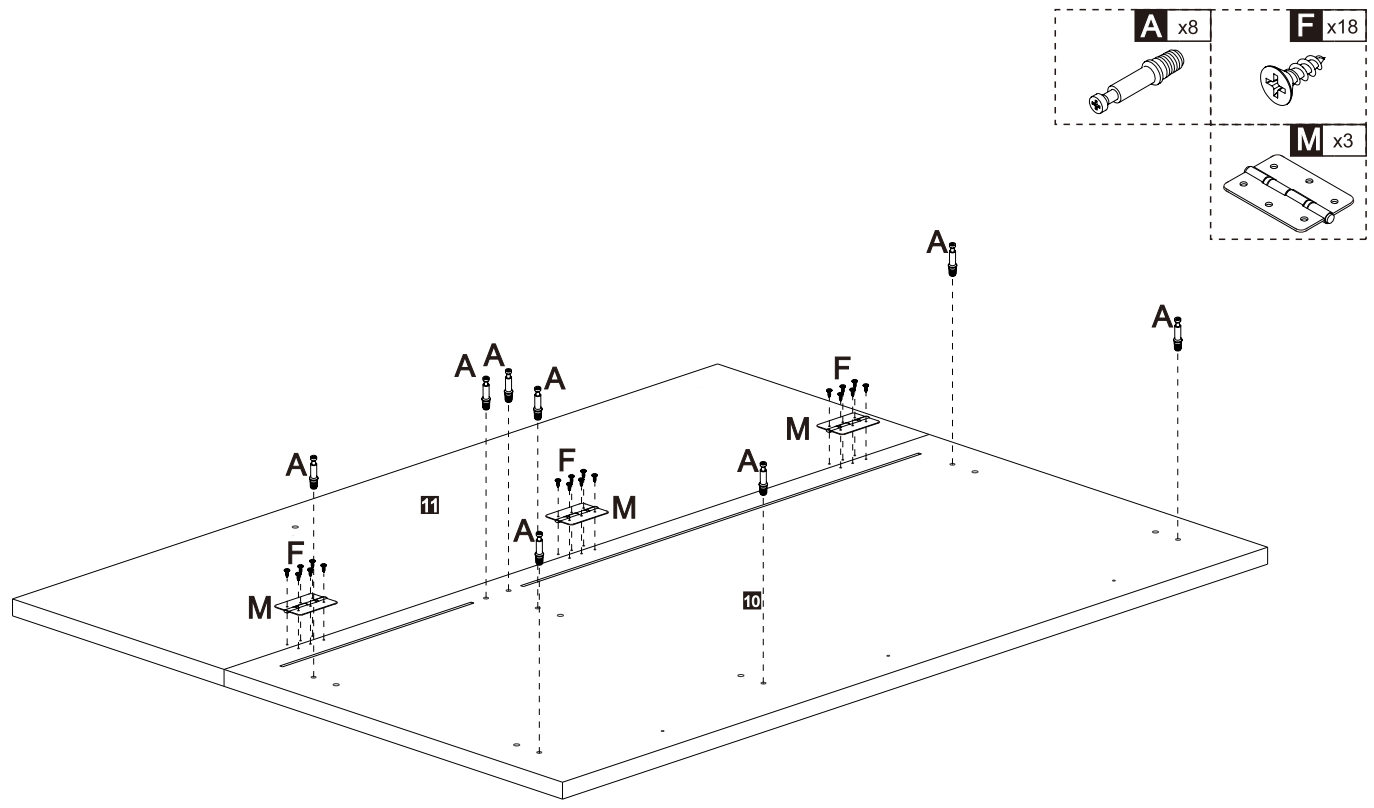
16



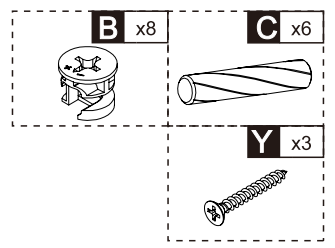
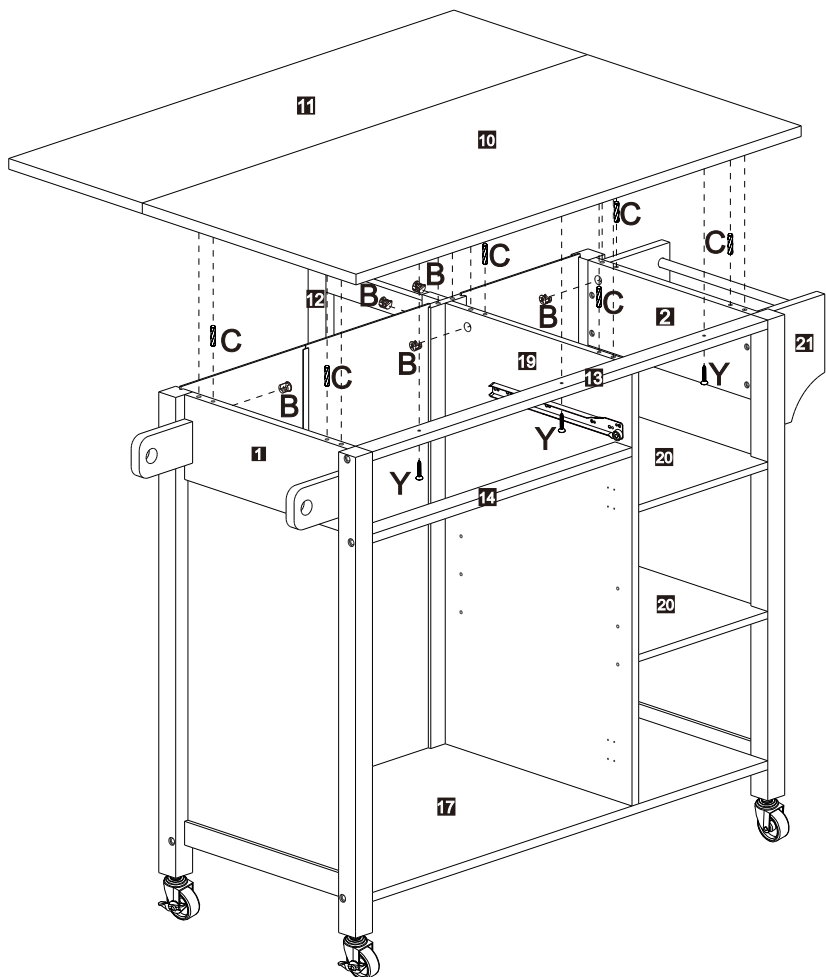
17



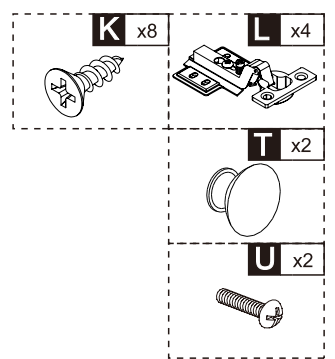
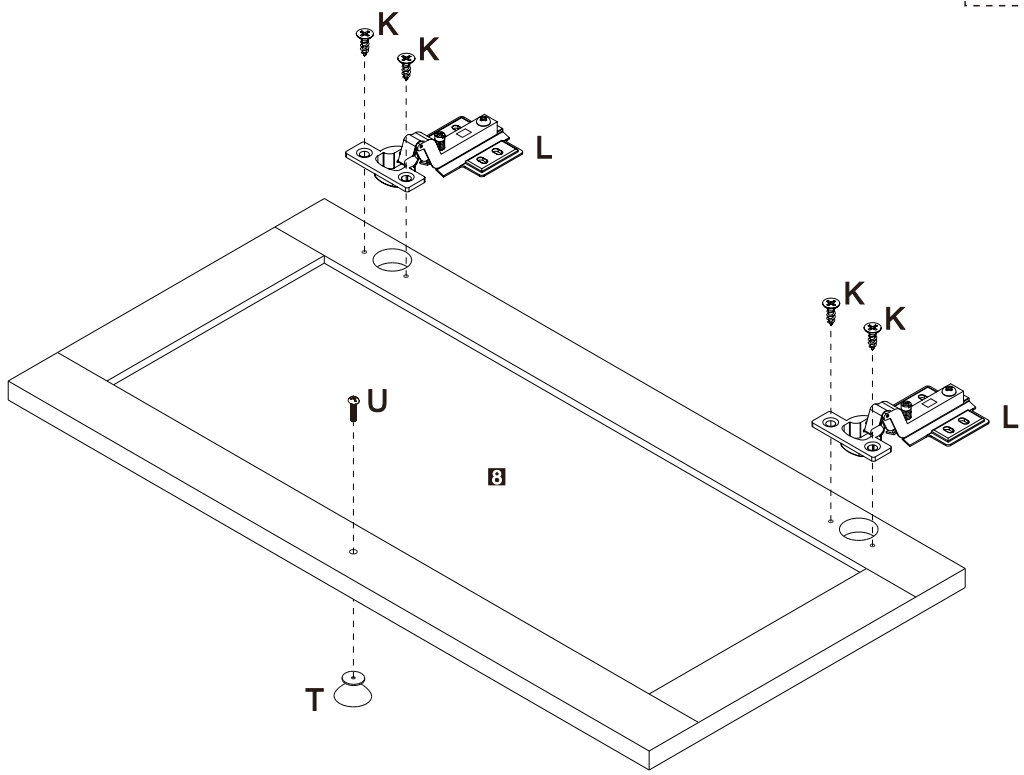
18



19

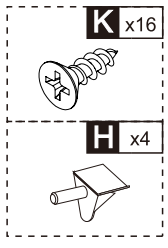
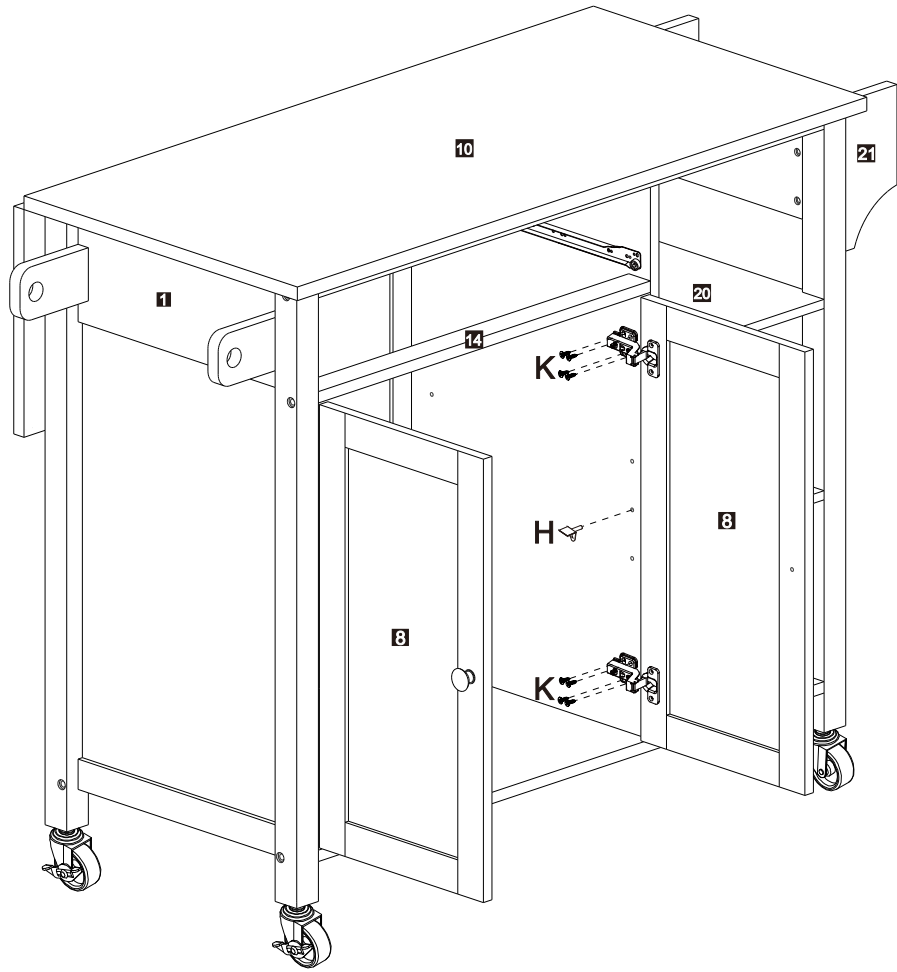


20



x2

21



22

