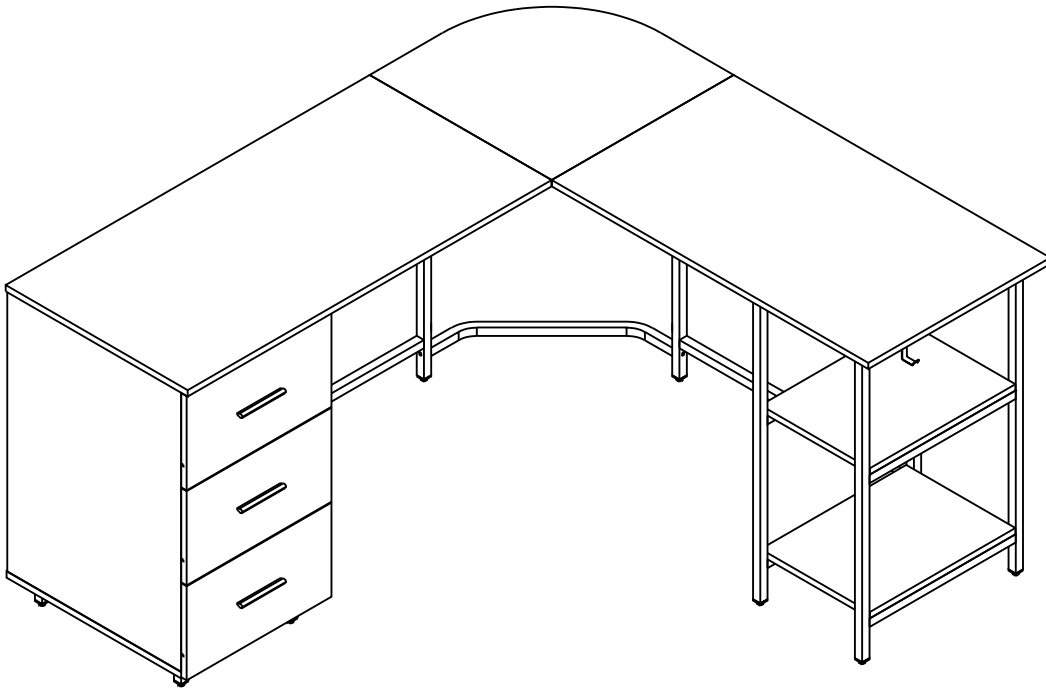


**L-SHAPE HOME OFFICE TWO-TONE DESK
WITH STORAGE**

MODEL RTA-739DL

ASSEMBLY INSTRUCTIONS

REV.-PFT-5-7534-0923



Thank you for purchasing our product

VIDEO



Scan QR to view full
assembly video

Do a quick inventory of all the parts and hardware listed below.



For Support, assembly questions & Replacement Parts within the 48 Contiguous United States:

Please email us at: support@rtaproducts.com

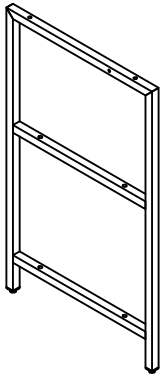


Replacement Parts for International Customers & **AK-HI-PR** orders: RTA Products will replace the part free of charge, while **the customer is responsible for shipping costs plus any International local taxes or duties.**

MAIN PARTS LIST

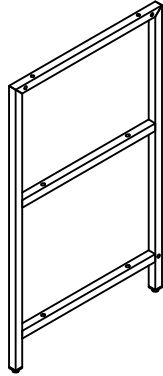
1 Right frame

x1



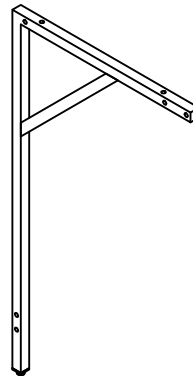
2 Left frame

x1



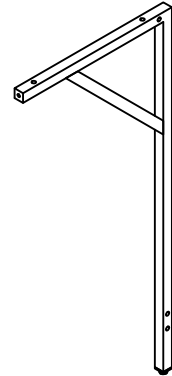
3 Center-left leg

x1



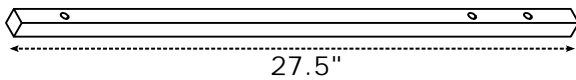
4 Center-right leg

x1



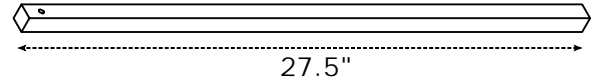
5 Left-top-back tube

x1



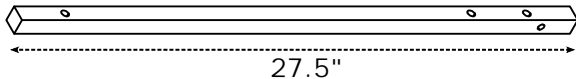
6 Left-bottom-back tube

x1



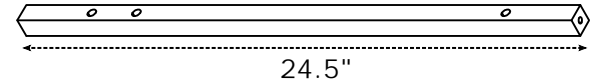
7 Left-top-front tube

x1



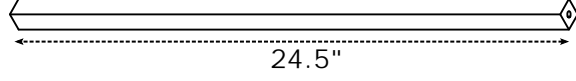
8 Right-top-back tube

x1



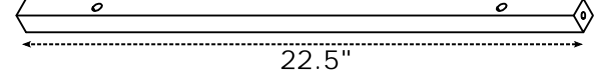
9 Right-bottom-back tube

x1



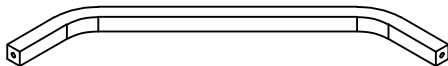
10 Right-top-front tube

x1



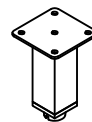
11 Corner-bottom-back tube

x1



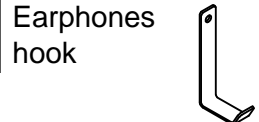
12 Foot

x4



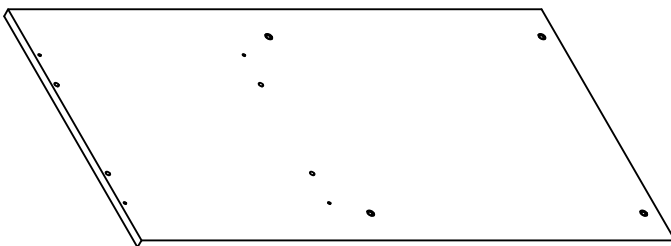
13 Earphones hook

x1



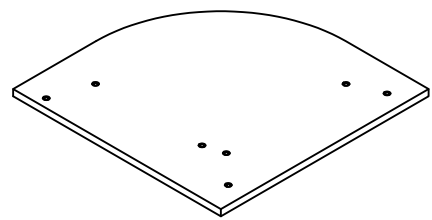
14 Left tabletop

x1



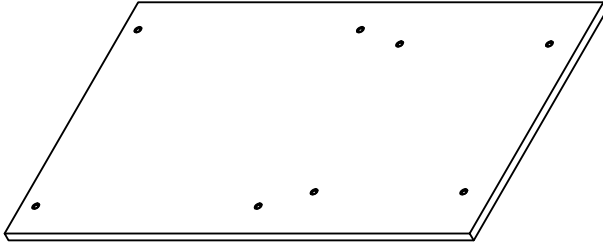
15 Corner top

x1

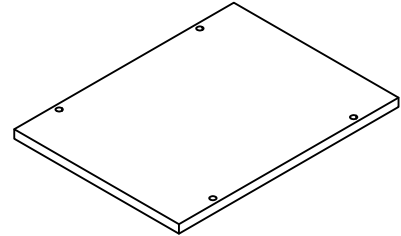


MAIN PARTS LIST (Continue)

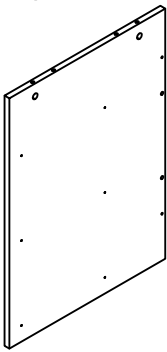
16
x1 Right tabletop



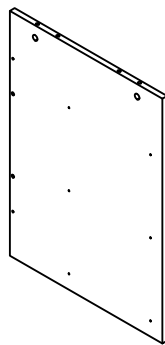
17
x2 Right shelf panel



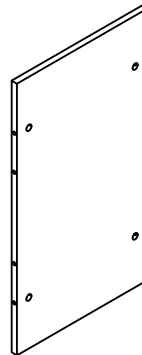
18
x1 Left panel



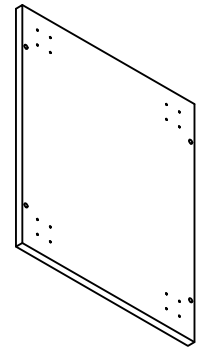
19
x1 Right panel



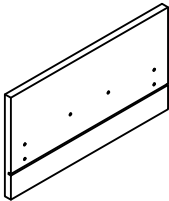
20
x1 Back panel



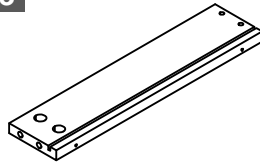
21
x1 Bottom panel



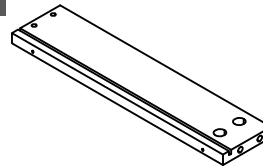
22
x3 Drawer front panel



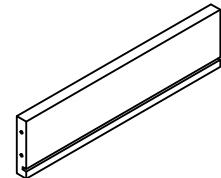
23
x3 Drawer left panel



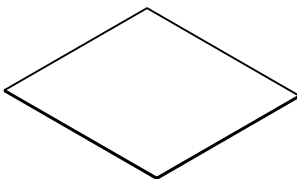
24
x3 Drawer right panel



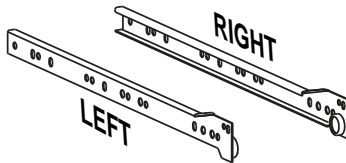
25
x3 Drawer back panel



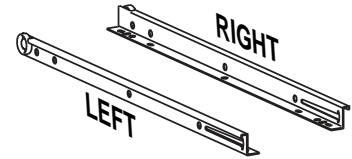
26
x3 Drawer bottom board



27
x3 Sets Sliders*, 4 pcs per set



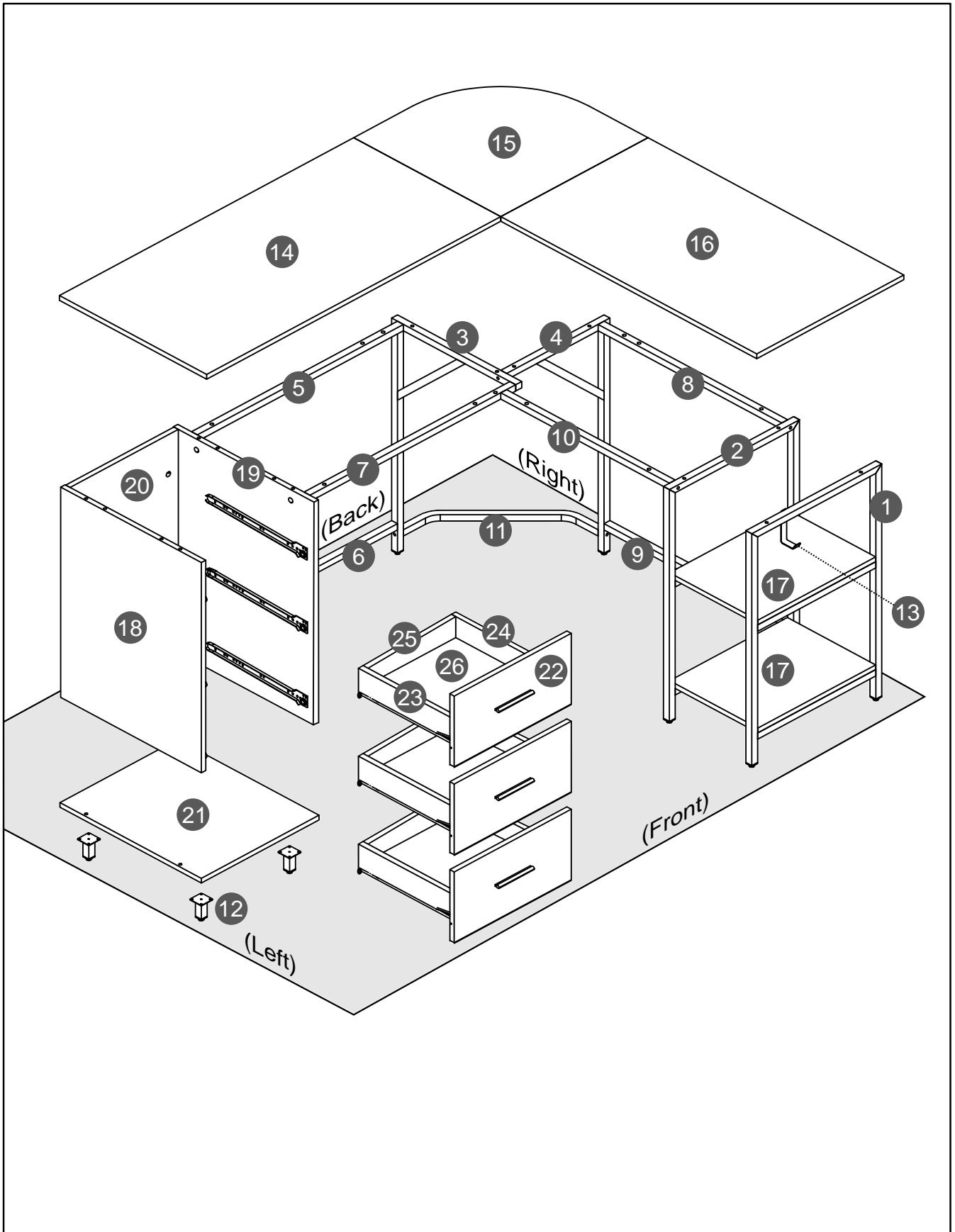
* 24 pcs of screws D come packaged together with these pieces.

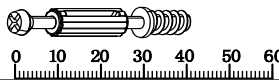
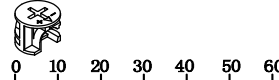
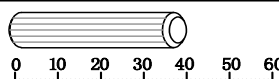
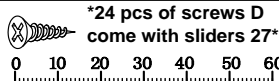

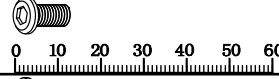

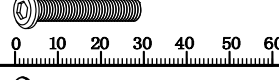



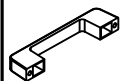



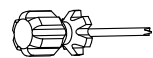





"Flat": 2 pcs, go inside the cabinet

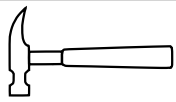
"L shaped": 2 pcs, go on the drawers

MAIN PARTS LAYOUT (For reference)



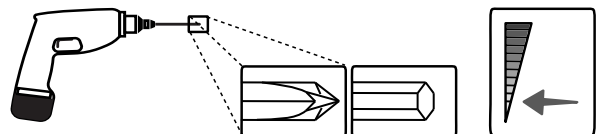
HARDWARE LIST			
PART	QTY	ITEM	
A	20	M5x42 bolts	
B	20	Ø15x12 Cam locks	
C	8	Ø8x40 Dowels	
D*	40*	M3.5x14	 *24 pcs of screws D come with sliders 27*
E	4	M7x50	
F	7	M6x12	
G	12	M8x40	
H	27	M6x30	
I	12	M5x40	
J	6	M4x18	
K	3	96mm Handle*	 Desks in color Sand and Walnut use this shape in color Silver
			 Desk in color Gold uses only this shape in color Gold
L	3	Metal bracket	

INCLUDED TOOLS			
1	Phillips Screwdriver		
1	M4 Allen Wrench		
1	M5 Allen Wrench		

TOOLS REQUIRED BUT NOT INCLUDED	
Hammer	

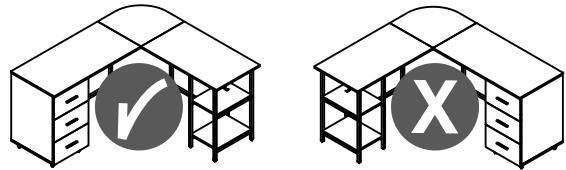
If you decide to use your own power driver:

- Make sure to have the appropriate hex or Phillips bits.
- Start using at a low torque or speed to avoid stripping the screws.



BEFORE YOU START THE ASSEMBLY, PLEASE READ THE FOLLOWING TIPS AND WARNINGS.

- The product is not reversible, it assembles **ONLY** as shown in the front page, with the drawers on the **LEFT** side. The drawers cannot install on the **RIGHT** side.



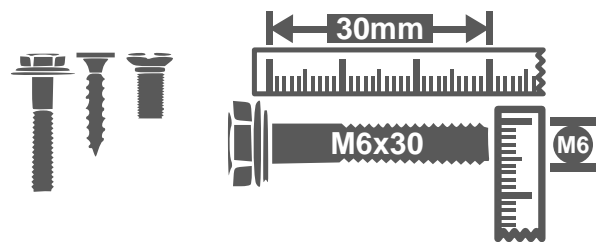
- Do not discard this manual or any of the packaging material until the unit is completely assembled.
- Please read the assembly instructions thoroughly and follow step by step.



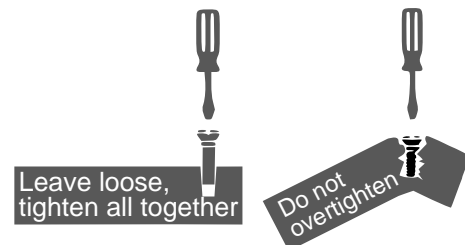
- The assembly might require of 2 persons for certain steps. Before you start the installation, make sure there is someone else nearby to help you.



- Make sure you understand which hardware will be used on each step. Using the wrong size of screw, bolt or pin might strip the threads or cause damage to the part in which it is being used.



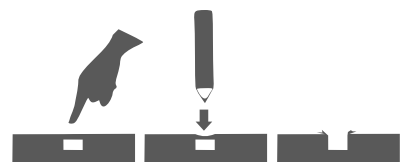
- To avoid misalignments, always leave the screws loosely and do not tighten them until all the pieces are positioned correctly.
- Do not overtighten or force the screws as they might break, strip, damage the threads of the holes, or get stuck inside the parts.



- If the hole seems to small for the screw, make sure you are using the correct size of screw and/or that you are installing it in the correct hole.



- Sometimes on the wood panels the laminate or material might be covering the hole partially or entirely, if there is no visible hole or if it looks too small, pass and press the tip of your finger over the area to feel its indentation, and carefully pierce the laminate to uncover the hole underneath.



- Please be kind to our planet, when done with the assembly, recycle any of the packaging materials that is accepted by your city or recycling service.



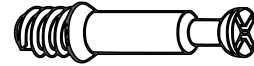
Thank you!



THE ASSEMBLY STEPS START ON NEXT PAGE

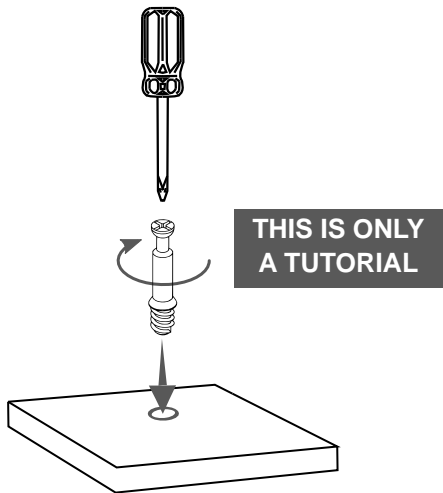
CAM BOLT AND CAM LOCK TUTORIAL

**THE INSTRUCTIONS BELOW
ARE NOT ACTUAL ASSEMBLY STEPS**



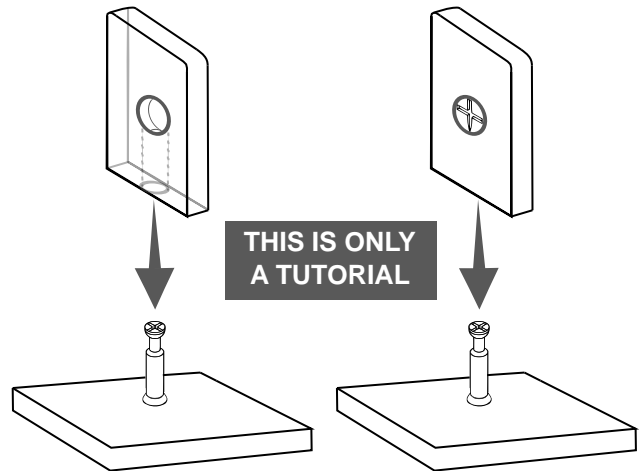
**This unit uses cam bolts and locks (also known as mini fixes).
If you are not familiar with this kind of hardware, the below is a tutorial
that explains how to use them on the steps where they are required.**

1. Screw the bolt into the indicated hole on the panel indicated in the assembly step.

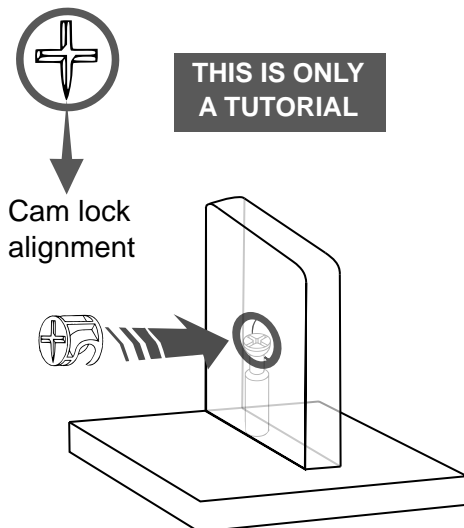


2. Join the other panel (with the big hole) to the panel with the bolt. If it comes with the cam locks already pre-installed, make sure to align them to receive the bolt's head (refer to point 3). There might be a very small gap between the panels which is normal.

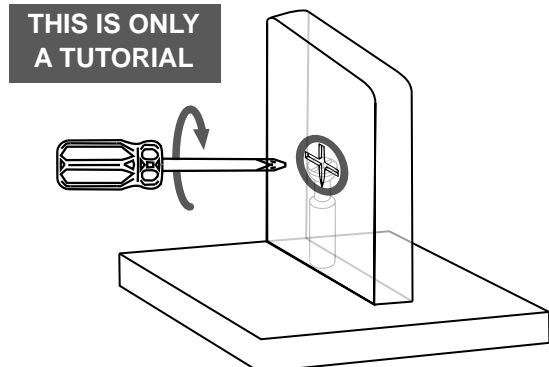
If the cam locks come pre-in stalled, make sure they are aligned (see point 3).



3. Insert the cam lock on the panel with the big hole making sure it goes aligned to receive the bolt's head.



4. Use a Phillips screwdriver to turn the cam lock clockwise. This will lock the panels together and also will close any gaps.



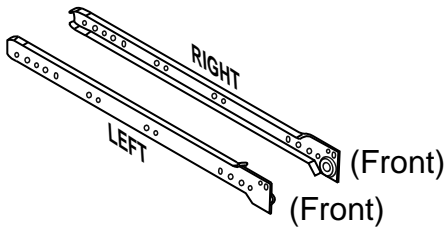
ASSEMBLY STEPS

WE RECOMMEND TO PLACE THE PIECES OVER BLANKETS TO PROTECT THEIR FINISH DURING ASSEMBLY.

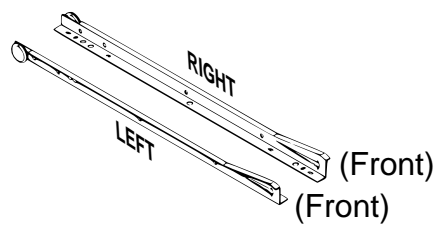
STEP 1

Grab all the sets of sliders **27** and separate them into 2 groups according to their shape:

- The "Flat" ones will be used on the next step.
- The "L Shaped" won't be used until step **18**, so set them aside.



The "Flat" ones will be used on the next step.



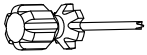
The "L Shaped" won't be used until step **18**, so set them aside.

STEP 2

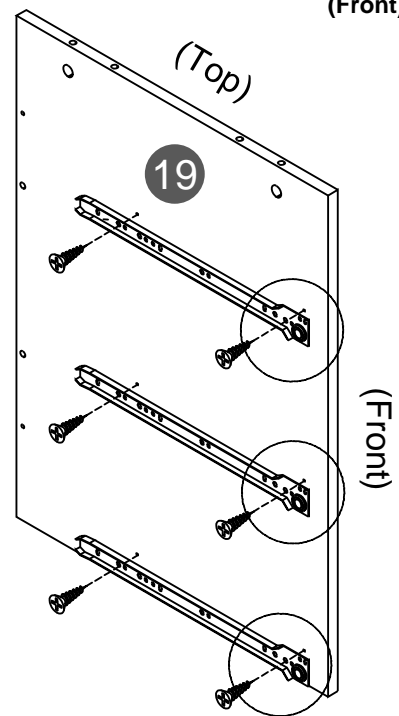
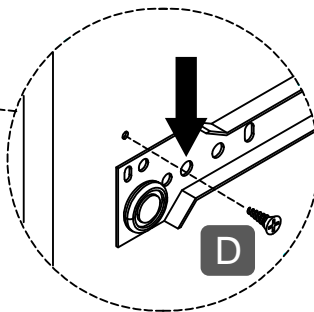
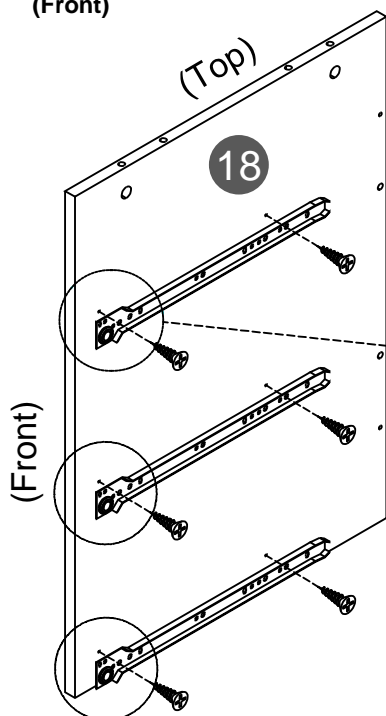
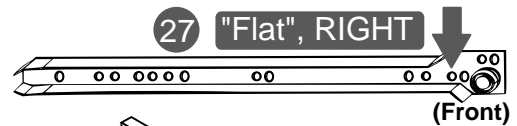
Hardware

D  12 Pcs
M3.5x14

Tools (included)



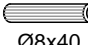


Assemble the "Flat" sliders **27** to the cabinet panels **18** and **19** with screws **D**, making sure the wheel faces towards the front of the panel. Please note the sliders attach at the front on the 4th hole and the wheel faces down with 2 empty holes above it.

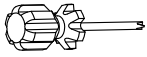


STEP 3

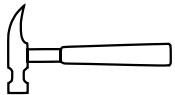
Hardware

A	 M5x42	4 Pcs
B		4 Pcs
C	 Ø8x40	4 Pcs

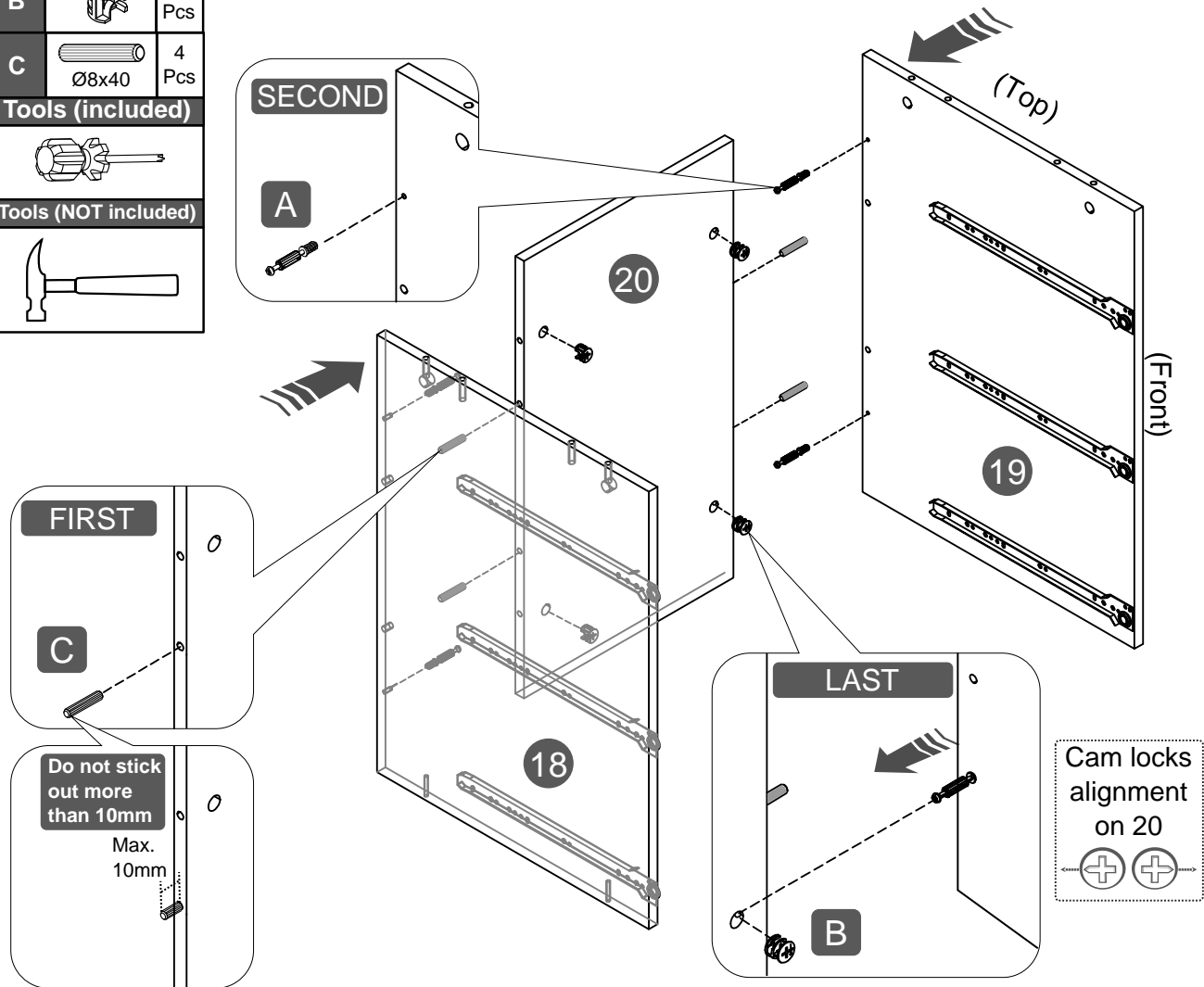
Tools (included)



Tools (NOT included)




- **FIRST** Insert the dowels **C** into the indicated holes on panel **20**.
- **THEN** attach the bolts **A** into the indicated holes on panels **18** and **19**.
- **LAST** join the panels **18** and **19** to panel **20**, insert the cam locks **B** on panel **20** and turn them to lock the pieces as explained in the **Cam Lock Tutorial** page.



STEP 4

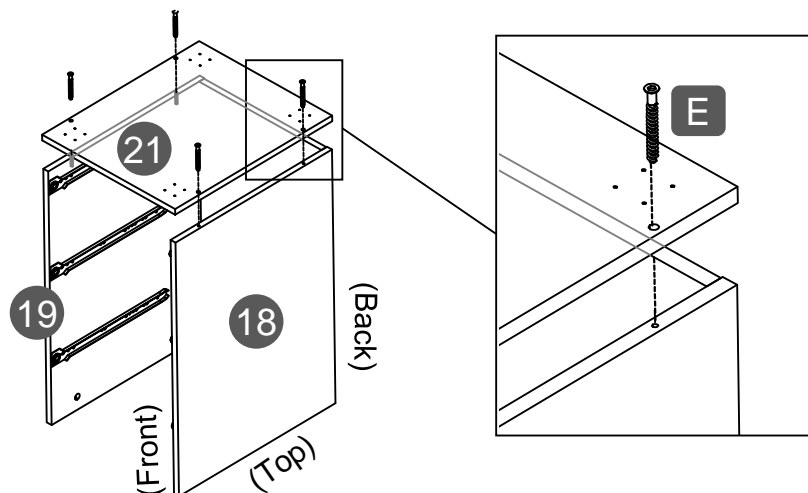
Hardware

E	 M7x50	4 Pcs
----------	---	-------

Tools (included)




Turn the cabinet upside-down and assemble the bottom panel **21** to the panels **18** and **19** with screws **E**.



STEP 5

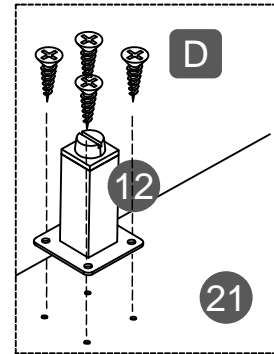
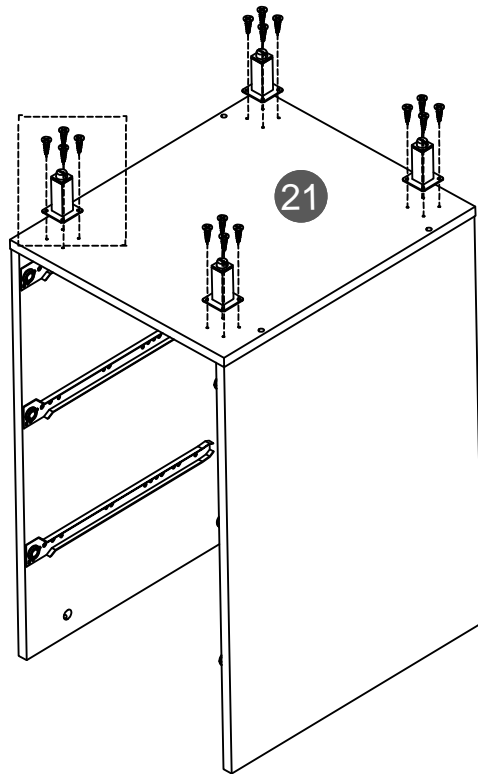
Hardware

D		16
	M3.5x14	Pcs

Tools (included)



Attach the feet **12** to the bottom panel **21** with screws **D**.



STEP 6

Hardware

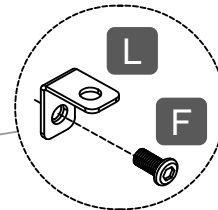
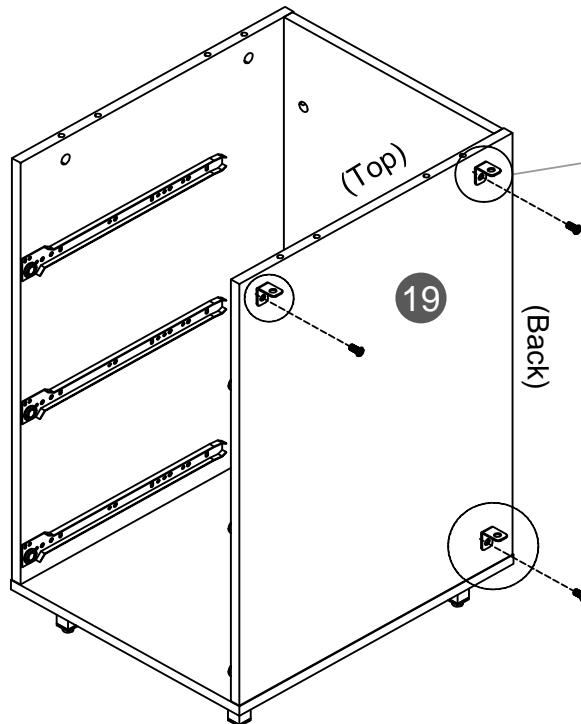
F		3
	M6x12	Pcs

L		3
		Pcs

Tools (included)



Bring the cabinet upright and attach the brackets **L** to panel **19** facing **UP** with screws **F**.

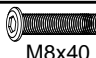


Brackets facing UP

STEP 7

Hardware

F		3 Pcs
----------	---	----------

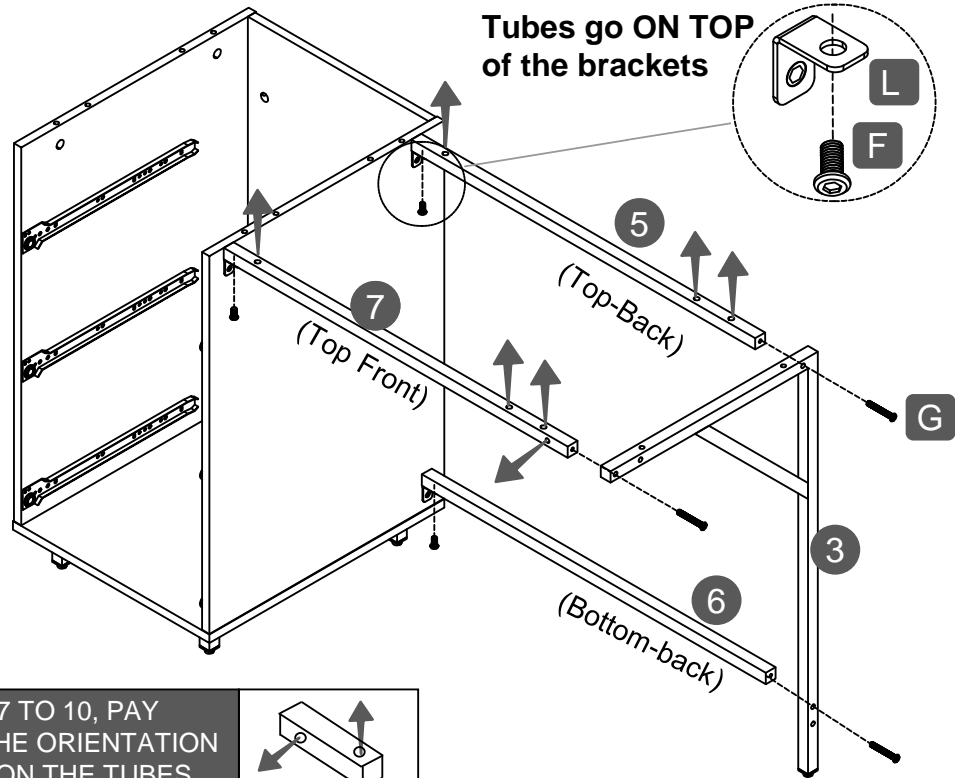
G		3 Pcs
----------	---	----------

Tools (included)

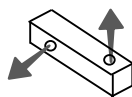


DO NOT TIGHTEN ANY SCREWS UNTIL THE END OF STEP 13.

- Place the tubes **5**, **6** and **7** on top of the brackets **L** in their respective positions and assemble them with screws **F** as shown.
- Assemble the leg **3** to the tubes **5**, **6** and **7** with screws **G**.




FROM STEP 7 TO 10, PAY ATTENTION TO THE ORIENTATION OF THE HOLES ON THE TUBES.



STEP 8

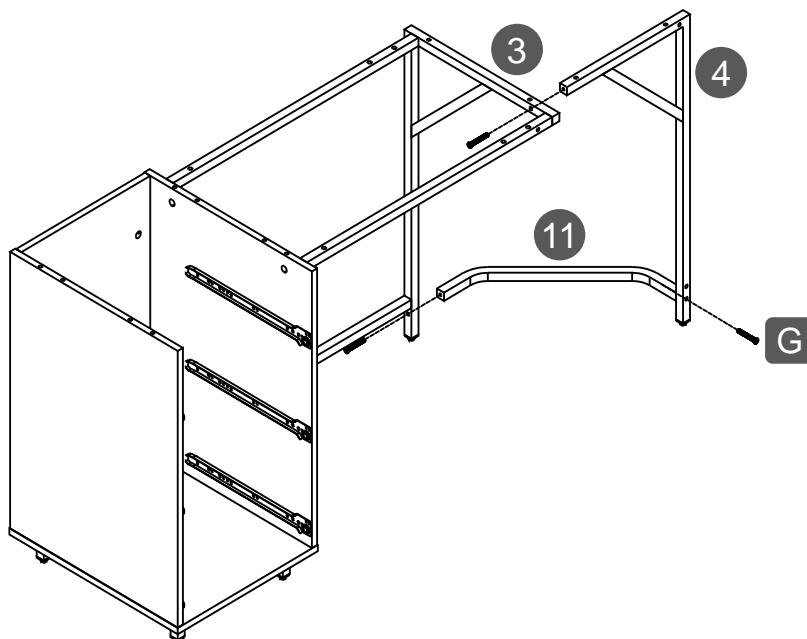
Hardware

G		3 Pcs
----------	---	----------

Tools (included)



- Assemble the leg **4** to leg **3** with a screw **G**.
- Assemble the corner bottom tube **11** to legs **3** and **4** with screws **G**.



STEP 9

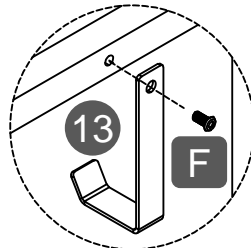
Hardware

F		1 Pc
H		8 Pcs

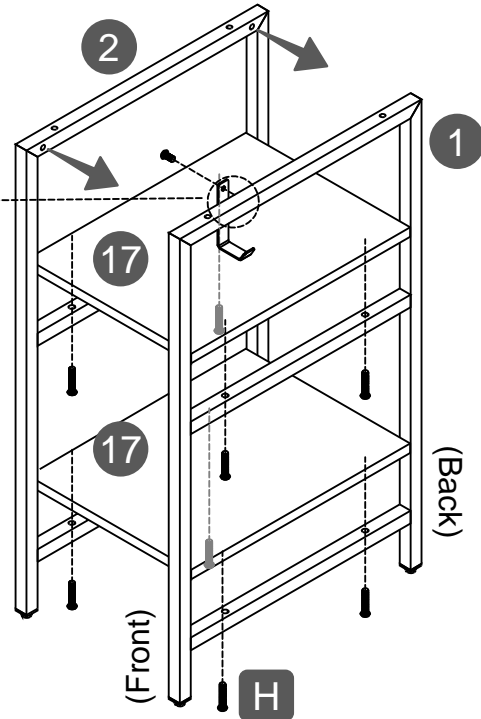
Tools (included)



- Assemble the shelves **17** to the frames **1** and **2** with screws **H** from underneath as shown.
- Attach the hook **13** to the frame **1** with screw **F** from inside.




(View from inside)



STEP 10

Hardware

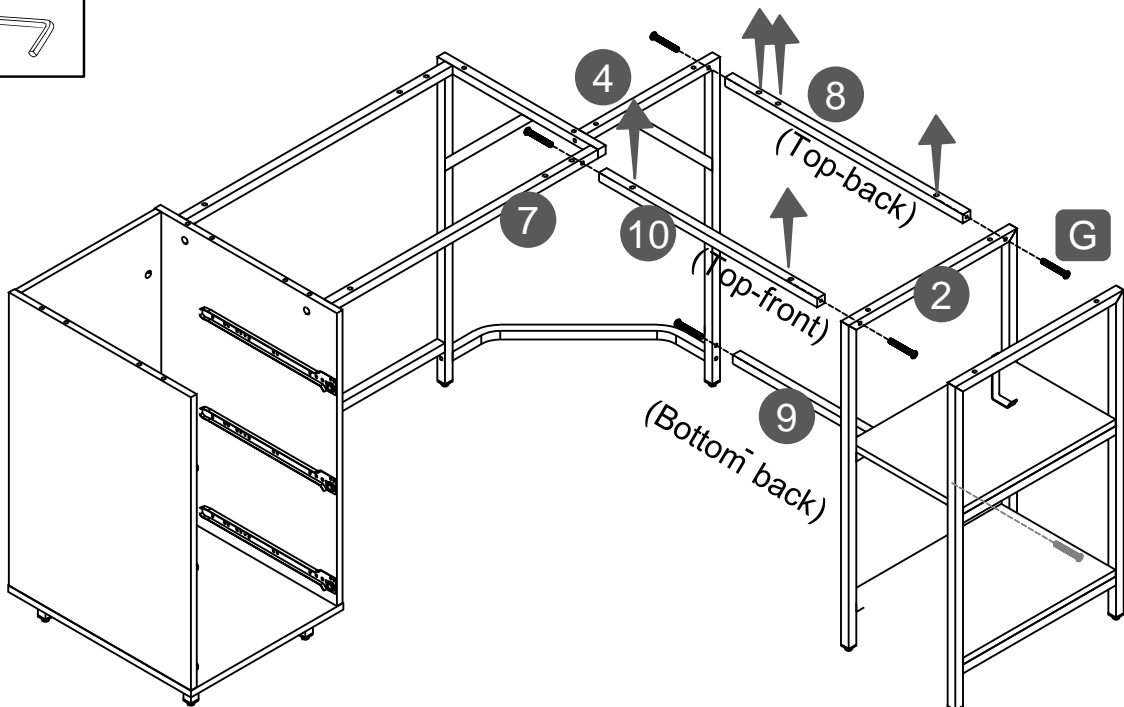
G		6 Pcs
----------	---	----------

Tools (included)



Use screws **G** to:

- Assemble the tubes **8** and **9** to the leg **4** in their respective positions.
- Assemble the tube **10** to tube **7**.
- Assemble the frame **2** to the tubes **8**, **9** and **10**.



STEP 11

This step requires of 2 persons



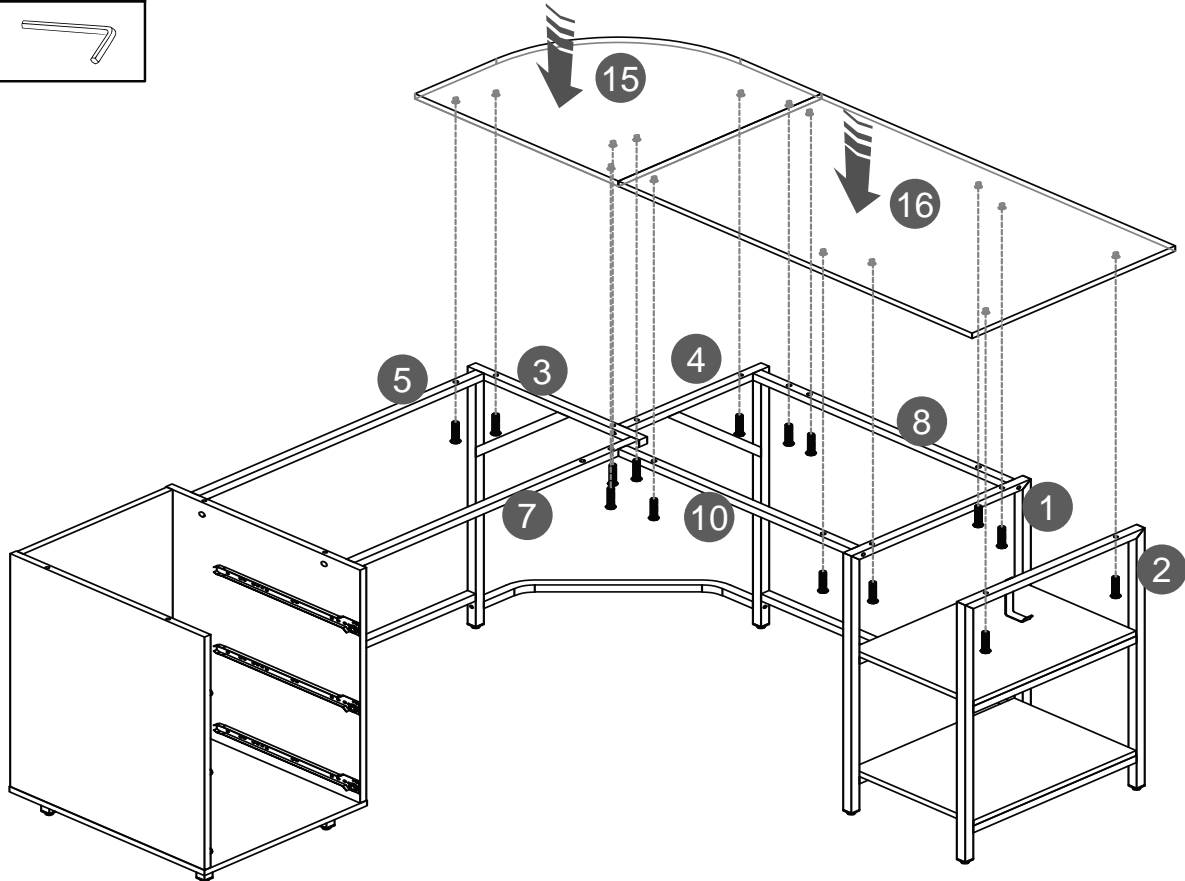
Hardware

H  15 Pcs
M6x30

Tools (included)



- With the help of another person, place the corner top **15** and the right tabletop **16** over the structures.
- Using screws **H** from underneath, secure the corner top **15** to the tubes **3, 4, 5, 7** and **8**, and secure the right tabletop **16** to the frames **1** and **2** and to the tubes **8** and **10**, but **LEAVE THEM ALL LOOSE** to allow flexibility and be able correct any misalignments later on.



STEP 12

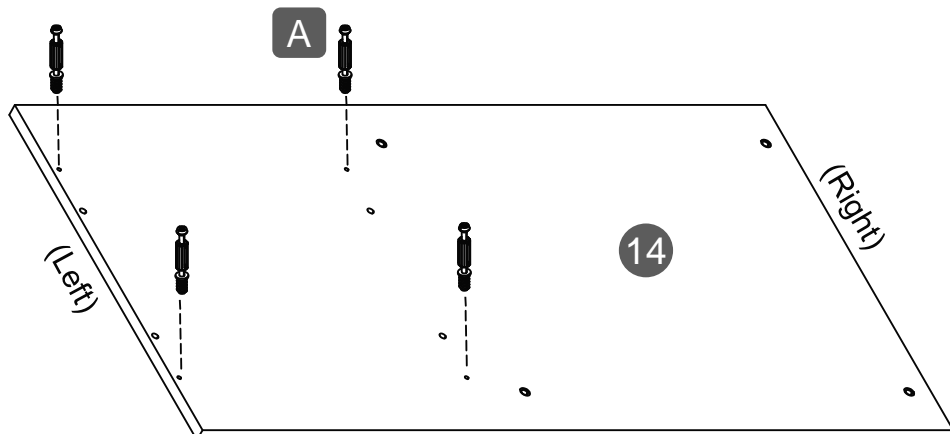
Hardware

A  4 Pcs
M5x42

Tools (included)



Attach the bolts **A** to the indicated holes on the left tabletop **14**.


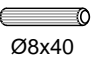
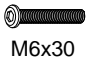


STEP 13

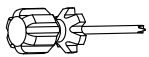
This step
requires of
2 persons



Hardware

B		4 Pcs
C	 Ø8x40	4 Pcs
H	 M6x30	4 Pcs

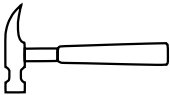
Tools (included)



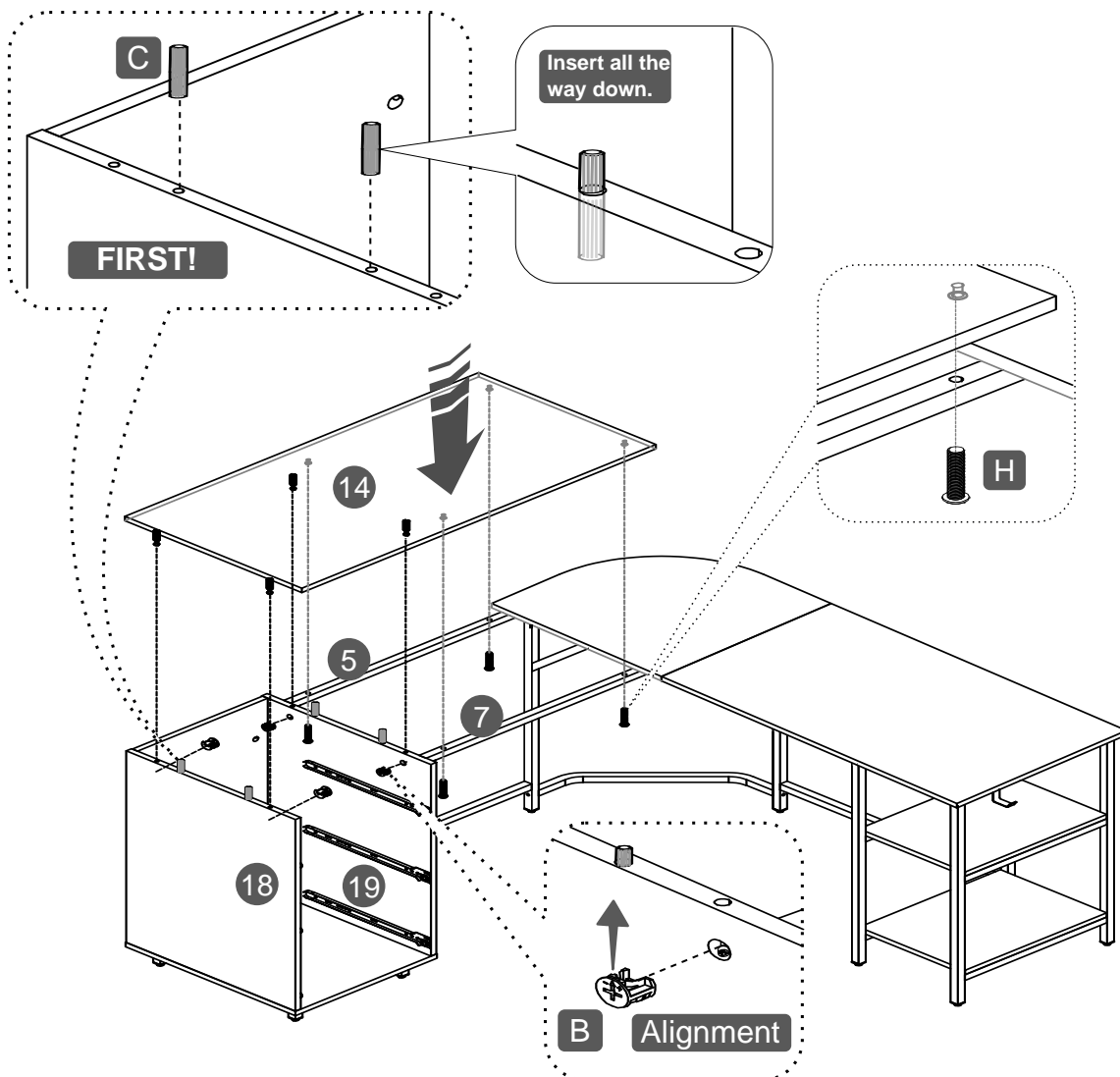
M4



Tools (NOT included)




- FIRST insert the dowels **C** into the indicated holes on the side panels **18** and **19** all the way down.
- THEN, and with the help of another person, carefully place the left tabletop **14** over the frame, making sure the bolts and dowels connect into the corresponding holes on these 3 panels.
- Insert the cam locks **B** in panels **18** and **19**, and turn them to lock the tabletop to the side panels as explained in the **Cam Lock Tutorial Page**.
- Secure the tabletop **14** to the tubes **5** and **7** with screws **H** from underneath, but **LEAVE THEM ALL LOOSE** to allow flexibility.
- If the panels require alignment, push/pull/lift to get them as aligned as possible with minimal gaps between them.
- Please note that the tops might not end up 100% perfectly aligned, and it should not be of concern unless the difference in levels and gaps are considerable that will not allow the desk to function properly.
- Proceed to tighten all the screws left loose from step **7** through this step **13** inclusive.

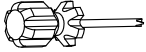


STEP 14

Hardware

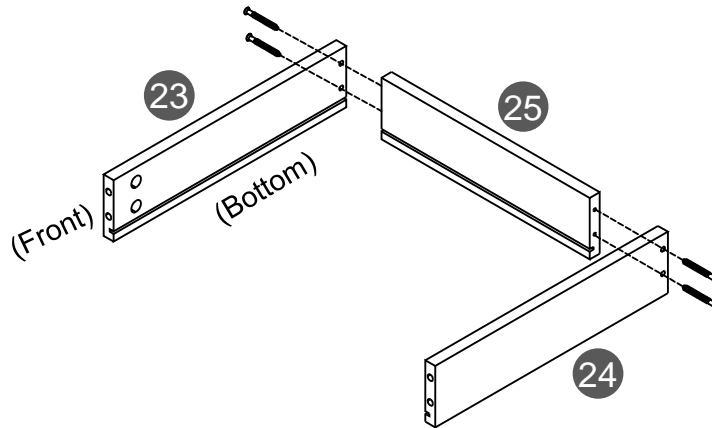
I		12 Pcs
	M5x40	

Tools (included)



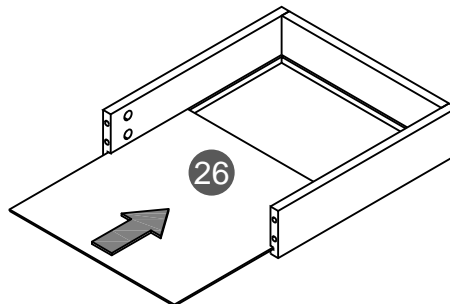
For each of the 3 drawers, assemble the side panels **23** and **24** to the back panel **25** with screws **I**.

Please note the alignment of the grooves at the bottom of the panels.



STEP 15

For each of the 3 drawers, slide the bottom panel **26** through the grooves of the side panels and into the back panel as shown.



STEP 16

Hardware

J		6 Pcs
	M4x18	

K		3 Pcs
	GLD only SND/WAL	

Tools (included)

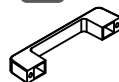


For each of the 3 drawers, assemble the handle **K** that corresponds to your desk to the front surface of the front panel **22** with screws **J** as shown.

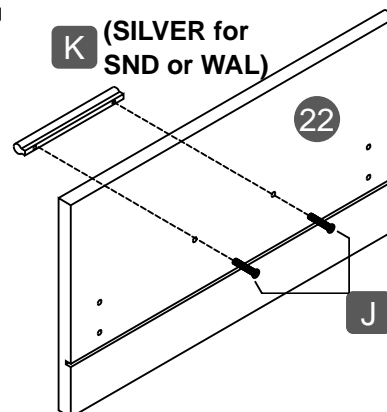
Gold handles: For desk in Gold only.

Silver handles: For desks colors Walnut and Sand.

K (Gold for GOLD)



K (SILVER for SND or WAL)

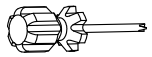


STEP 17

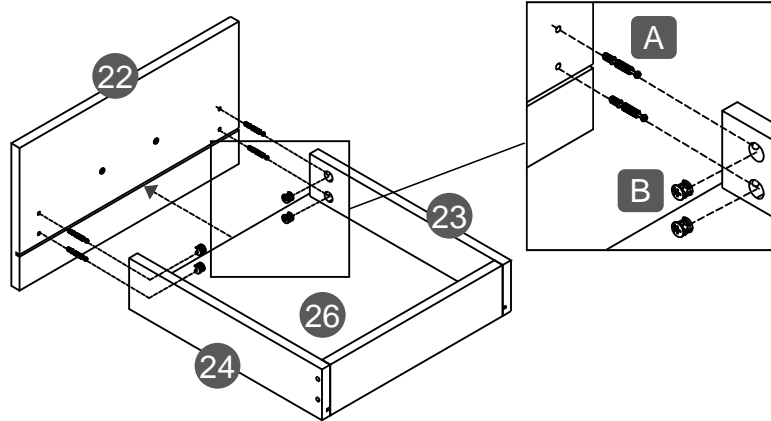
Hardware

A		12 Pcs
B		12 Pcs

Tools (included)



For each of the 3 drawers, assemble the front panel **22** to panels **23** and **24** with bolts **A** and cam locks **B** as explained in the **Cam Lock Tutorial Page**. Please note that the bottom panel **26** will enter into the groove of panel **22**.

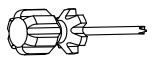


STEP 18

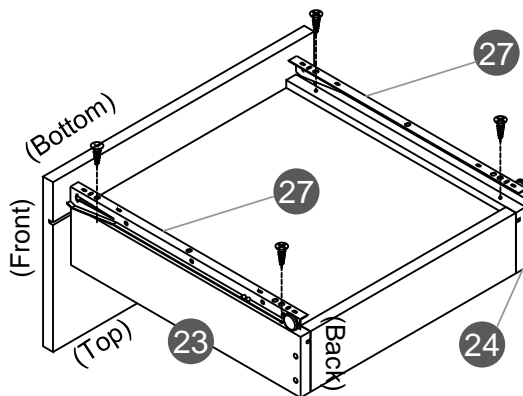
Hardware

D		12 Pcs
----------	---	--------

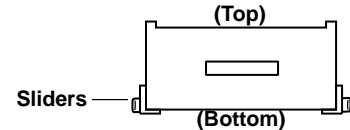
Tools (included)



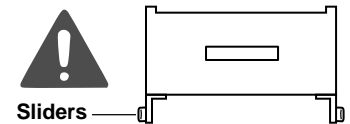
For each of the 3 drawers, flip them upside-down and assemble the "L" shaped sliders **27** with screws **D**, making sure the wheel goes towards the back, and that they don't protrude, otherwise, the drawer raises 1" and won't fit in the cabinet.



When finished, the sliders look like this:



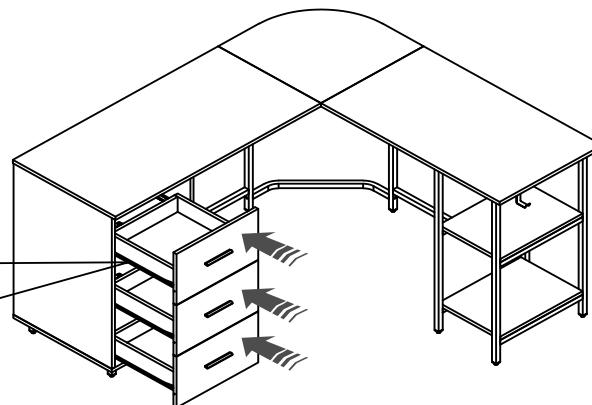
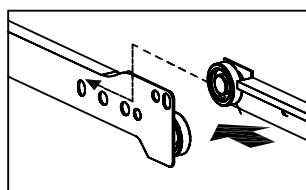
If you install as below, the drawer raises 1" and won't fit in the unit.



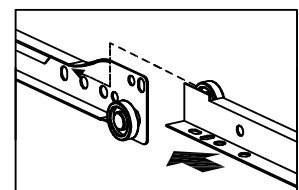
STEP 19

Insert the drawers into the cabinet, starting with the bottom one, then middle, then top. Insert and an angle with their fronts facing down, making sure the wheels from the drawer slide in the middle of the sliders inside the cabinet.

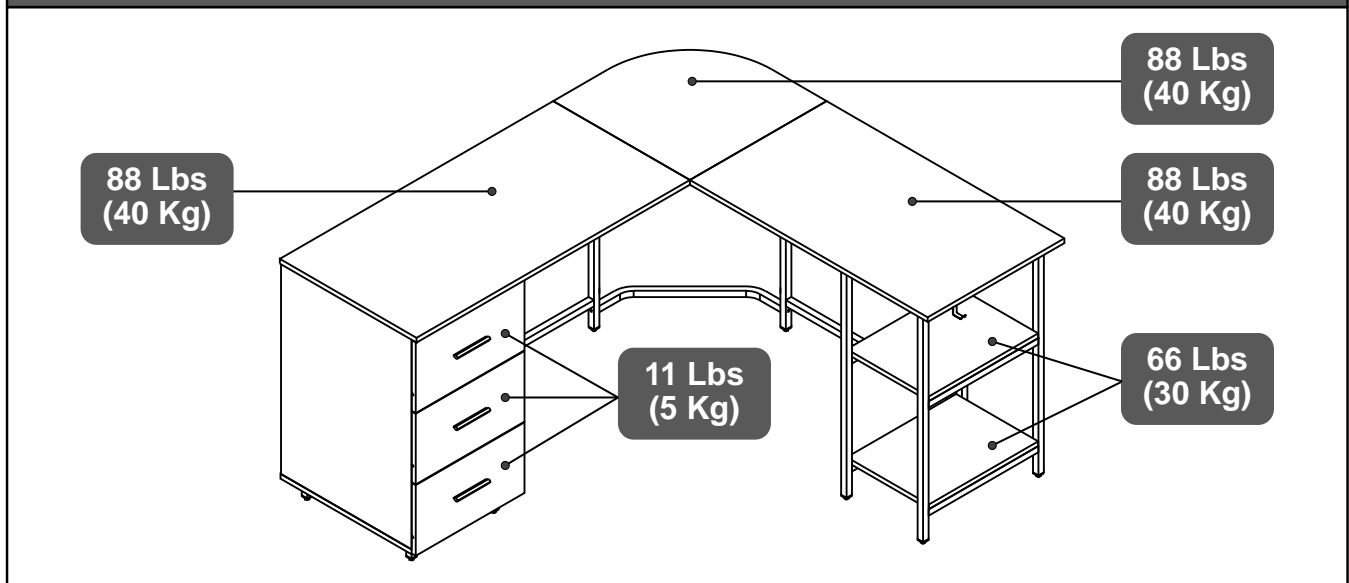
On the left side:



On the right side:



WEIGHT LIMITS



WARNINGS

- Do not exceed the indicated weight limits.
- Do not expose the surfaces to direct sunlight or to extreme environmental conditions.
- Do not use solvents or abrasive materials to clean the unit.
- Do not sit on the unit or lean against it.
- Do not allow small children to play under or over the unit.
- Do not allow small children to reach inside the drawers without your supervision.
- Do not pull, push or drag the unit to move it for more than 1 feet. The unit must be lifted by at least 2 persons when moving in the same or adjacent rooms.
- Before moving the unit, make sure to secure or remove any object that is heavy or might fall off.
- Please note that lifting from the tabletop with too much weight on the product might lead to part damage/separation.
- When lifting the unit, use both hands and bend your knees, not your backs.
- Do not use the product if screws are loose or missing, or if you notice damaged parts.
- The warranty does not extend to regular wear and tear, nor the manufacturer assumes liability for damages or consequences due to accidents, incorrect assembly, negligence, improper use, modifications, or not heeding the above warnings.

CARE AND MAINTENANCE

- Clean the surfaces preferable with a clean cloth damped in a solution of mild soap and water, then dry with a clean towel.
- If you decide to use a cleaning agent, test first on an area hidden from view such as underneath the tabletop.
- Every 4 months, inspect the unit completely and make sure that all screws are tighten.
- When transporting the unit to places far away, protect and secure the unit to avoid damage in transit.

TECHNI MOBILI WARRANTY

**DESKS/LAPTOP CARTS/FILE CABINETS: LIMITED 5-YEAR WARRANTY**

RTA Products, LLC warrants to the Original Purchaser who acquired a new product from RTA Products or its authorized resellers that this product will be free from defects in its workmanship and materials, under normal use and service conditions, as described herein. "Defects" as used in this warranty, is defined as any imperfections that impair the use of the furniture or product. RTA Products LLC will replace any defective part, at its discretion, and without charge to the original purchaser other than the freight from the end consumer to RTA Products.

Replacement parts can only be supplied if parts are available. Items out of production may be unavailable. This warranty will be effective for the applicable time period beginning the date of purchase on your original sales receipt. RTA product's obligation under this warranty is limited to repairing or replacing products or parts as provided herein. This product has been designed for and is intended for office and home-office use only. This warranty is Original Purchaser's sole remedy for product defects, and this warranty does not extend to any product, or damage to any product, caused by or attributed to abuse or misuse, products used for commercial or rental purposes, use modifications of, or attachments to the product, and products or parts not used, maintained, or extended hereunder is in lieu of any and all other warranties, express or implied, including without limitations any implied warranty or merchantability or of fitness for a particular purpose. Please note, all desks made with PVC Laminate surface should not be exposed to direct sunlight, as it may damage the material. Damage of this nature is not covered under this warranty.

RTA Products will not be responsible for indirect, special, incidental or consequential damages. This warranty is limited to merchandise purchased in the Continental United States, excludes AK, HI and PR. Some States do not allow the exclusion or limitation of incidental or consequential damages, so the above limitations or exclusions may not apply to you. This warranty gives you specific legal rights. You may also have other rights that may vary from state to state.

To file a Claim within the 48 contiguous United States:

Email us to warranty@rtaproducts.com to explain the defect and provide your name, address, phone number, model number of our product, date and place, and proof of purchase. Please provide pictures of the damage or defect. If we determine that a replacement will remedy the situation, and in order to determine the extent or the cause of the defect, purchaser may be requested to send the part in question at purchaser's expense. Once we receive the part, we will examine it and determine whether the claim is valid (or not), and then proceed to send the replacement. We will ship the replacement at our expense.

Replacement Parts for International Customers & AK-HI-PR orders:

RTA Products will replace the part free of charge, while **the customer is responsible for shipping costs plus any International local taxes or duties.**