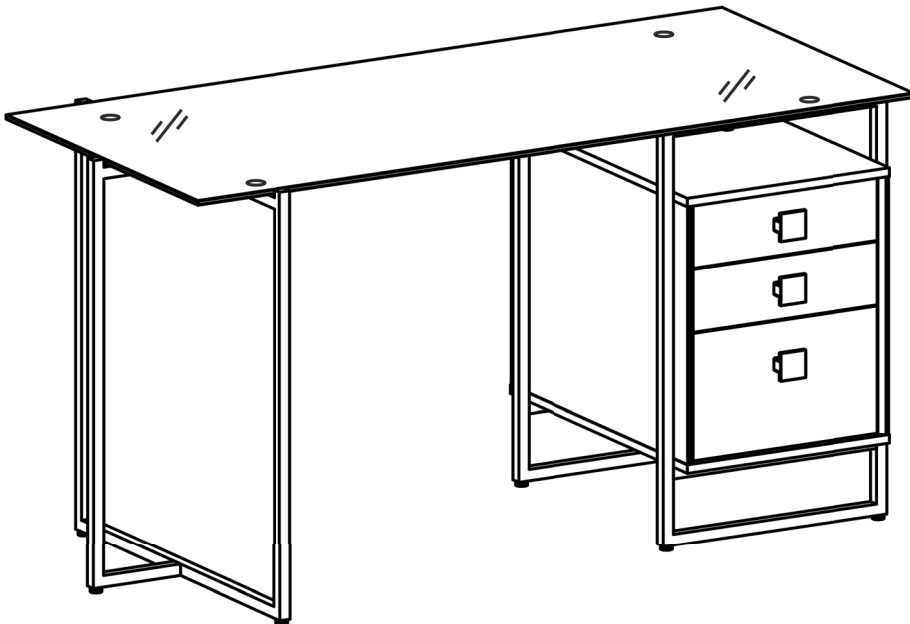




# MODEL RTA-4837D

## ASSEMBLY INSTRUCTIONS

Thank you for purchasing our product.





- Please read carefully the assembly instructions before the installation.


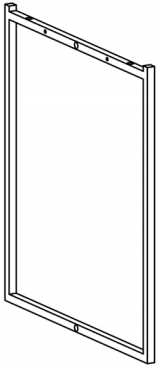
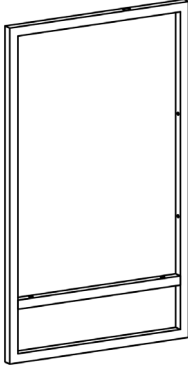
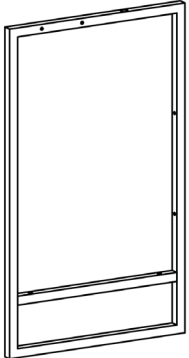
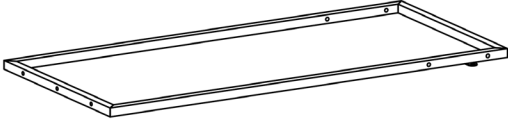
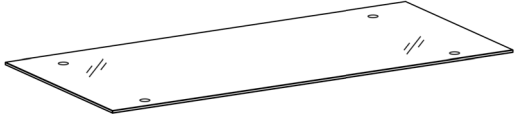
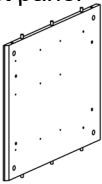
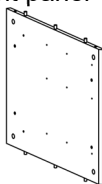
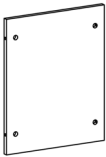


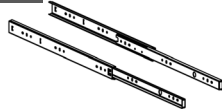
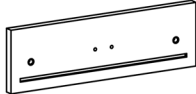


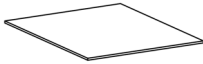

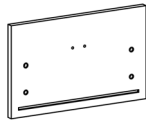
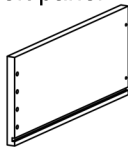
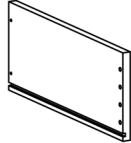
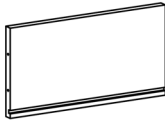






- Do not discard this manual or any of the packaging material until the unit has been completely assembled.

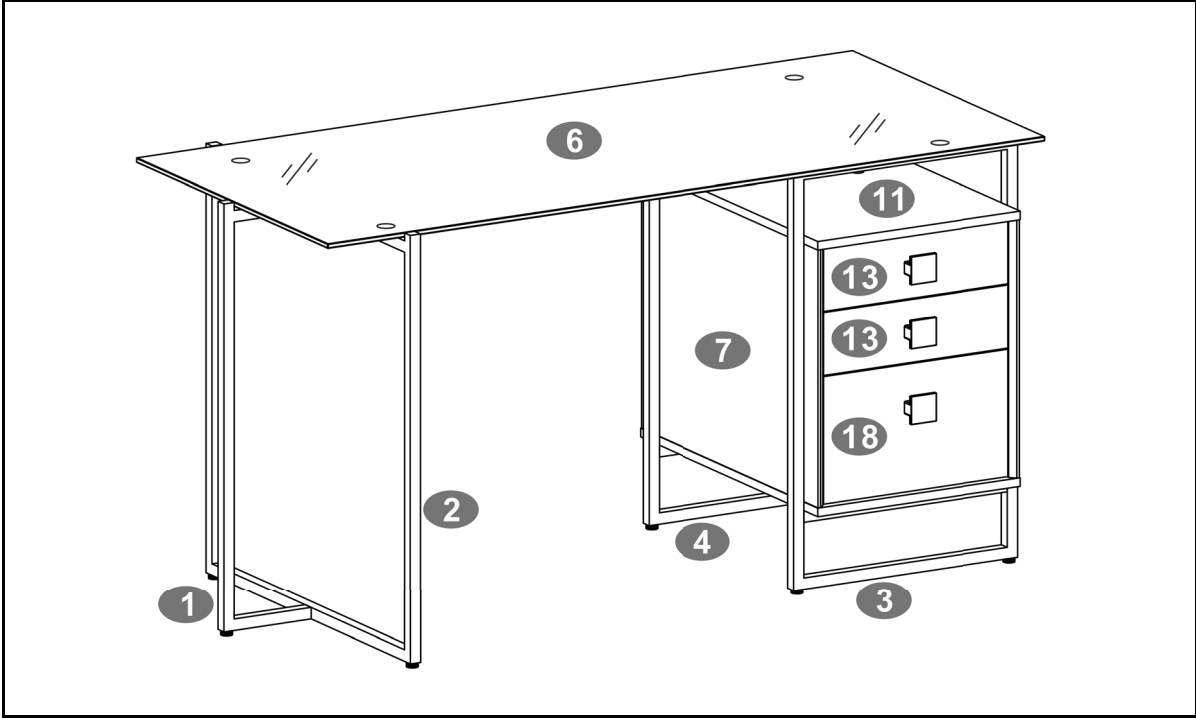


- Might require two people.


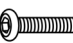
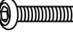

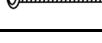
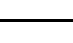
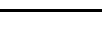
MAIN PARTS LIST



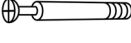



<p><b>1</b> Left support leg x1</p> 	<p><b>2</b> Left structure x1</p> 	<p><b>3</b> Right front structure x1</p> 	<p><b>4</b> Right back structure x1</p> 	
<p><b>5</b> Top horizontal structure x1</p> 		<p><b>6</b> Glass tabletop x1</p> 		
<p><b>7</b> Left panel x1</p> 	<p><b>8</b> Right panel x1</p> 	<p><b>9</b> Back panel x1</p> 	<p><b>10</b> Bottom panel x1</p> 	<p><b>11</b> Cabinet top panel x1</p> 
<p><b>12</b> Sliders x3 Set</p> 	<p><b>13</b> Small drawer front panel x2</p> 	<p><b>14</b> Small drawer left panel x2</p> 	<p><b>15</b> Small drawer right panel x2</p> 	<p><b>16</b> Drawer bottom panel x3</p> 
<p><b>17</b> Small drawer back panel x2</p> 	<p><b>18</b> Large drawer front panel x1</p> 	<p><b>19</b> Large drawer left panel x1</p> 	<p><b>20</b> Large drawer right panel x1</p> 	<p><b>21</b> Large drawer back panel x1</p> 
<p><b>22</b> Glide studs x7</p> 	<p><b>23</b> Handles x3</p> 	<p><b>24</b> Small support bar x1</p> 	<p><b>25</b> Drawer connectors x8</p> 	

**MAIN PARTS LAYOUT (FOR REFERENCE):**



**LIST OF SCREWS AND FITTINGS**

PART	QTY	ITEM	
<b>A</b>	17	M6x15	
<b>B</b>	8	M6x25	
<b>C</b>	9	M6x30	
<b>D</b>	2	M6x50	
<b>E</b>	6	M4x28	
<b>F</b>	46	ST3x15	
<b>G</b>	12	ST4x35	

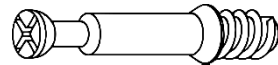
PART	QTY	ITEM	
<b>H</b>	2	M6 Nut	
<b>I</b>	2	Ø16MM	
<b>J</b>	12	M6x40	
	1	Allen Wrench	
	1	Screwdriver	
	1	Wrench (Spanner)	

☛ This unit uses cam bolts and locks. The following explains how to use them. This is not an assembly step; it is a guide for when you are actually doing the assembly using this kind of hardware.

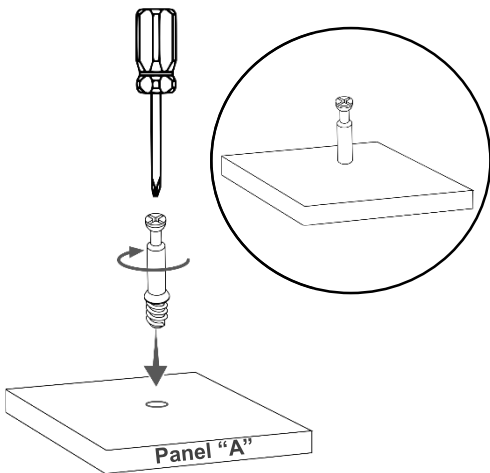
Cam Lock



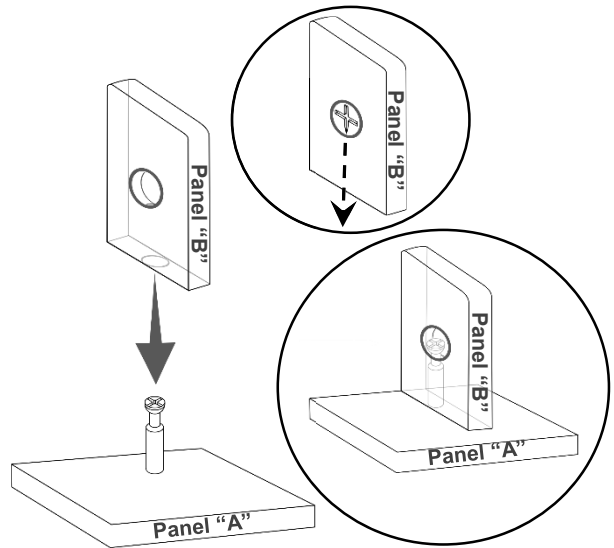
Cam Bolt



1. Screw the bolt into the corresponding hole on panel "A".

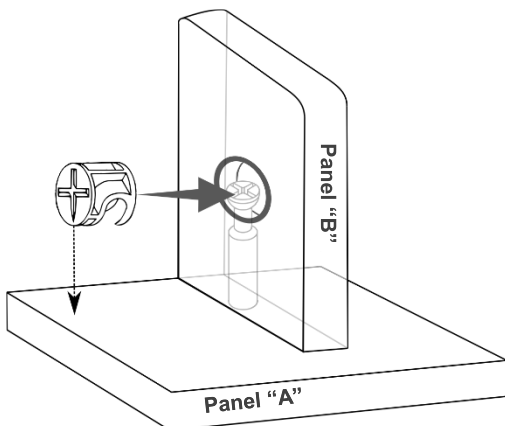


2. Join panel "B" to panel "A". If panel "B" comes with the cam lock pre-installed, make sure it is aligned to receive the bolt's head (refer to point 3). There might be a very small gap between the panels which is normal.

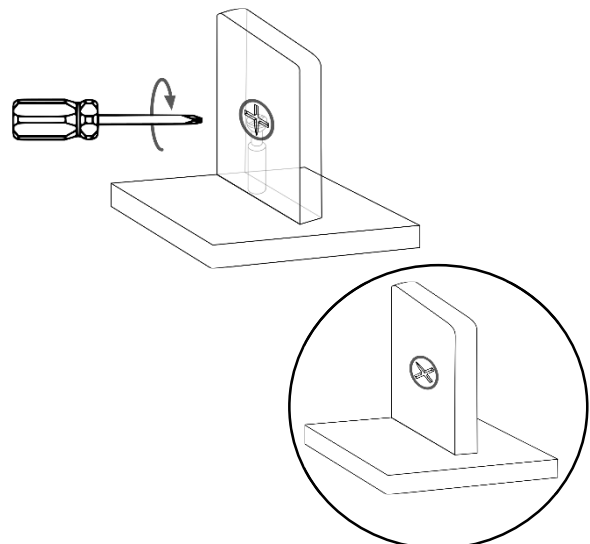


3. Insert the cam lock on panel "B" making sure it goes aligned to receive the bolt's head.

**Alignment:** The cross points towards the panel "A" with the bolt.



4. Turn the cam lock clockwise. This will lock the parts together and will close any gaps.

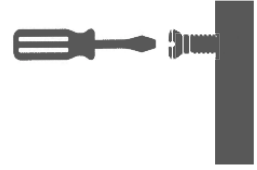


**BEFORE YOU START THE ASSEMBLY, PLEASE READ THE FOLLOWING TIPS AND WARNINGS.**

**1** Do a quick inventory to make sure the package contains all the parts and hardware listed in the assembly instructions.



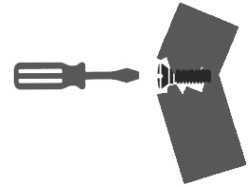
**7** To avoid misalignments, always leave the screws loose and tighten them until all pieces are positioned correctly.



**2** Missing, damaged and defective parts can be replaced at no cost to you. Please refer to the last pages on this manual.



**8** Do not overtighten or force the screws as they might break, strip, damage the threads of the holes or get stuck inside the part.



**3** The replacement parts service is limited to the 48 contiguous United States. If you reside in Alaska, Hawaii, Puerto Rico, U.S. territories or other countries, please contact the supplier from where the unit was purchased.



**9** Sometimes the laminate might cover partially or entirely the hole on a panel. If there is no visible hole for the screw, pass and press the tip of your finger over the area where the hole should be located to feel the indentation, and once found, carefully pierce the laminate to reveal the hole underneath.



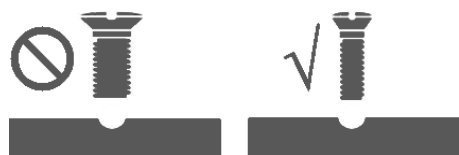
**4** If during assembly you find an issue or need clarification, please contact our Customer Service for assistance. Please refer to the last pages on this manual.



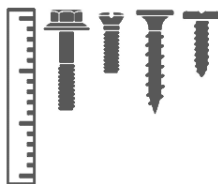
**5** On each step read the instructions and analyze the illustrations thoroughly before proceeding to do the assembly.



**10** If the hole seems too small for the screw, first make sure you are using the correct size of screw and that it's been installed in the correct hole. If the hole still appears to be too small, carefully pierce the laminate to reveal the hole's actual size.



**6** Make sure you understand which hardware will be used on each step. Using the wrong size of screw, bolt or pin might strip the threads or cause damage to the part in which it is being used.



**ASSEMBLY STEPS**

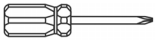
**STEP 1**

**Hardware:**

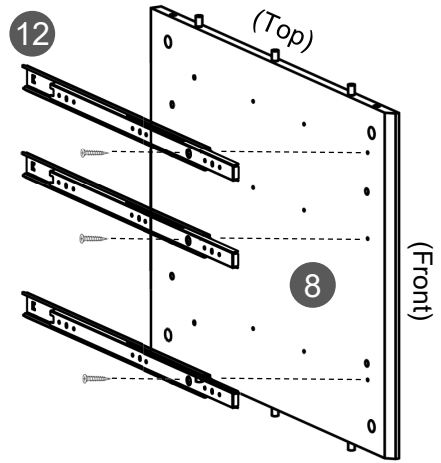
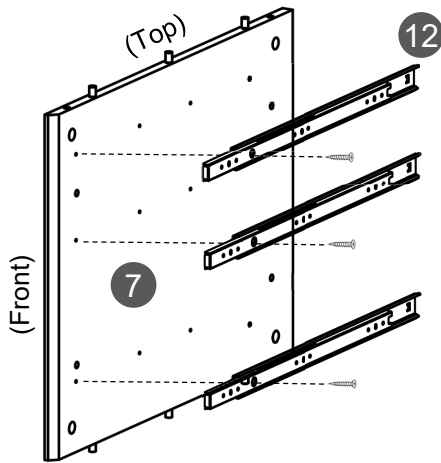
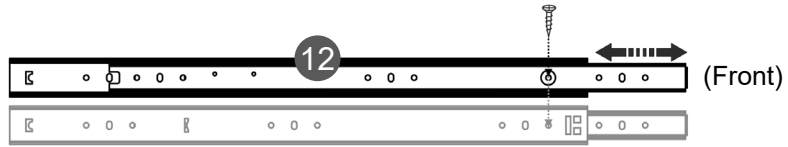
F



6 Pcs



Slowly open the sliders **12** until you see the first front hole thru the big hole, then attach them to the front holes on the Left panel **7** and the Right panel **8** with screws **F**.



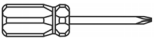
**STEP 2**

**Hardware:**

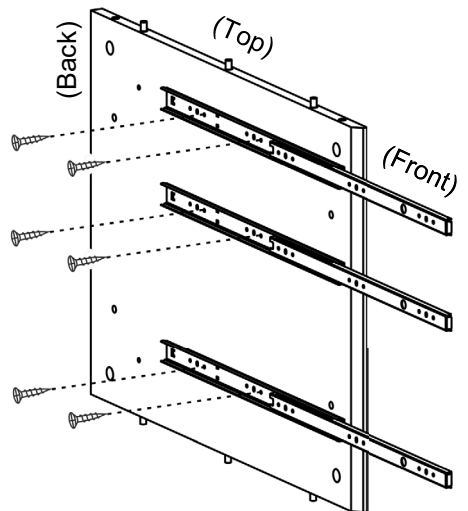
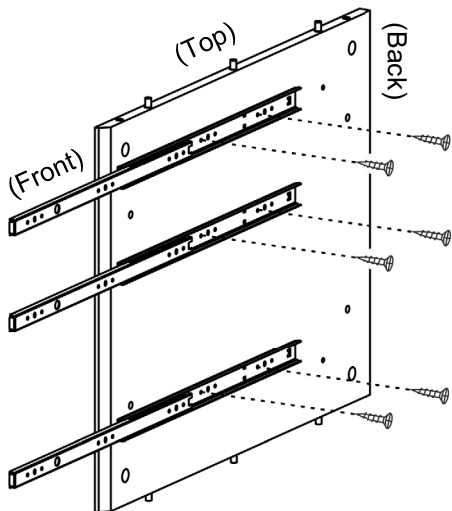
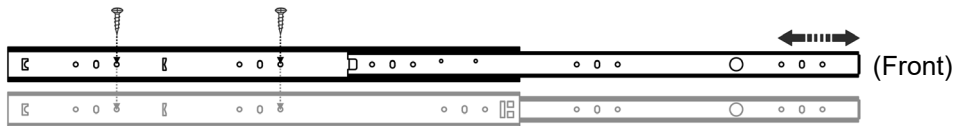
F



12 Pcs



Open the sliders **12** completely, and secure them on the back holes of panels **7** and **8** with screws **F**.



**STEP 3**

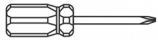
**Hardware:**

**J**

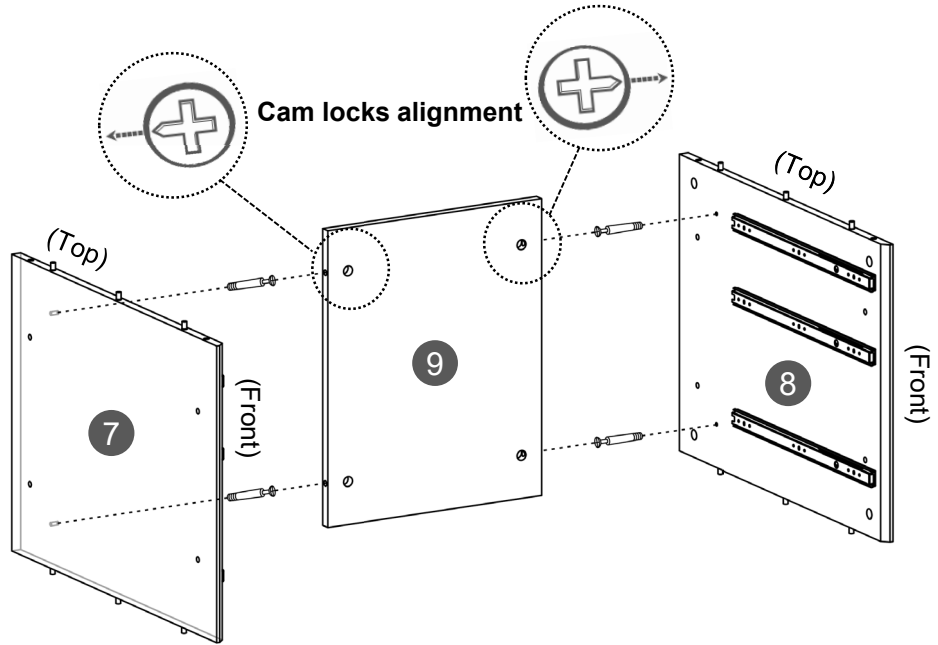


M6x40 Bolt

4 Pcs



Assemble the Left panel **7** and the Right panel **8** to the back panel **9** with bolts **J** as shown and as explained in page 4.



**STEP 4**

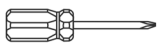
**Hardware:**

**J**

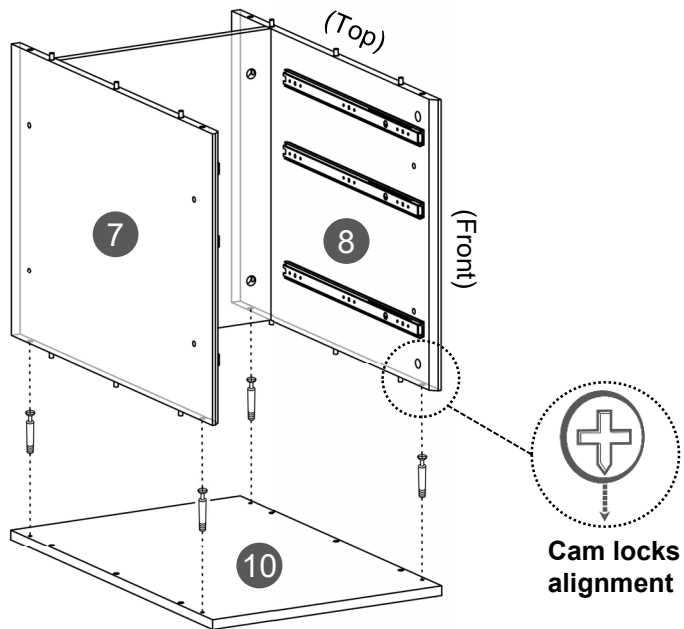


M6x40 Bolt

4 Pcs



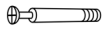
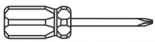
Assemble the panels **7** and **8** to the Bottom panel **10** with bolts **J** as shown and as explained in page 4.



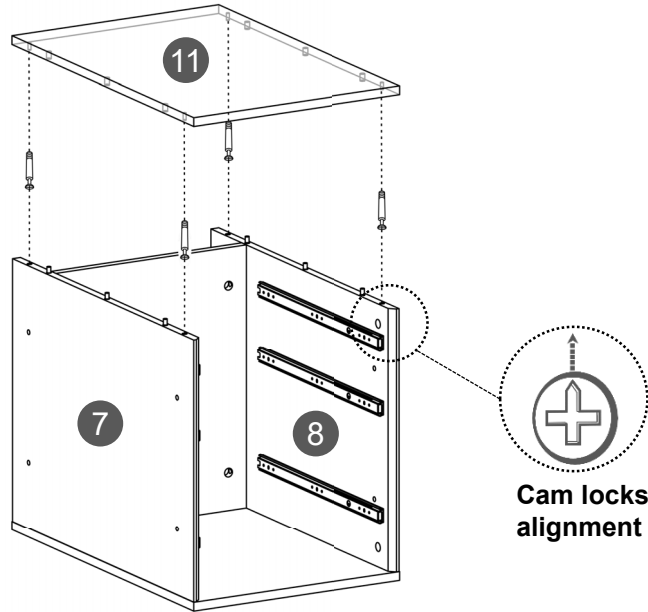


**STEP 5**

**Hardware:**




<b>J</b>		4 Pcs
	M6x40 Bolt	
		

Assemble the Cabinet top panel **11** to the side panels **7** and **8** with bolts **J** as shown and as explained in page **4**.

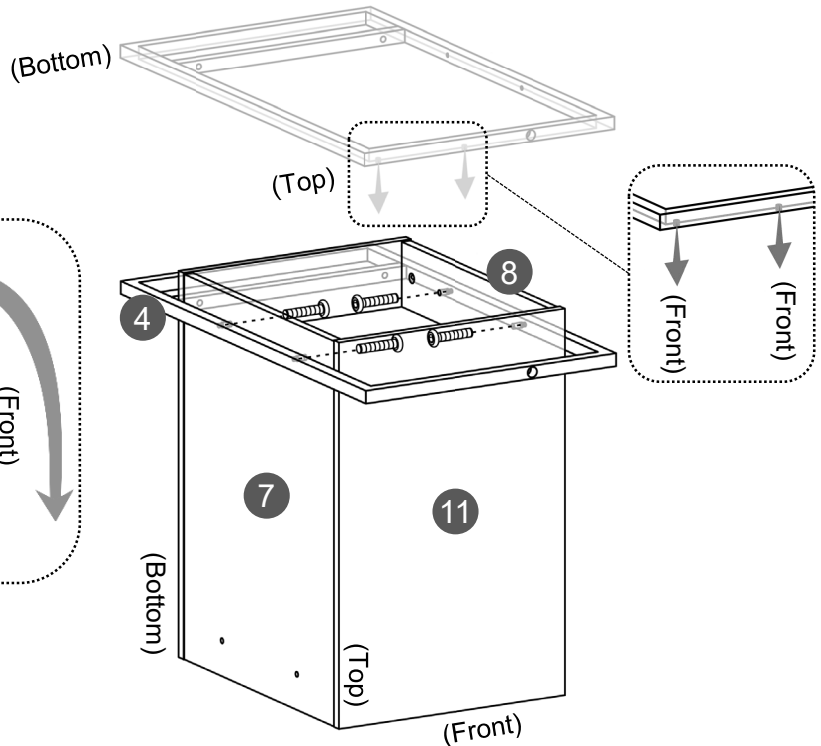


**STEP 6**

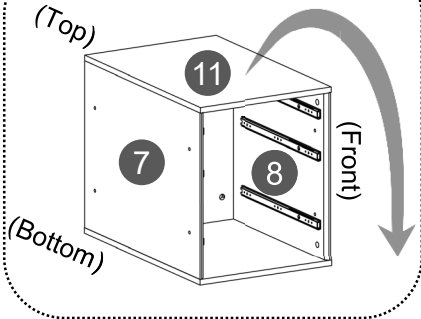
**Hardware:**

<b>B</b>		4 Pcs
	M6x25	
		
		

- Carefully flip the cabinet to have its front facing down.
- Pay close attention to the correct orientation of piece 4 as shown.
- With the help of another person, assemble the Right back structure **4** to panels **7** and **8** with screws **B** from the inside as shown.



**FLIP 90° to the front**



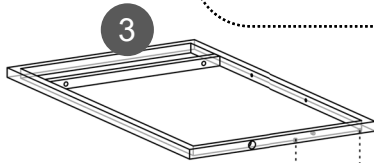
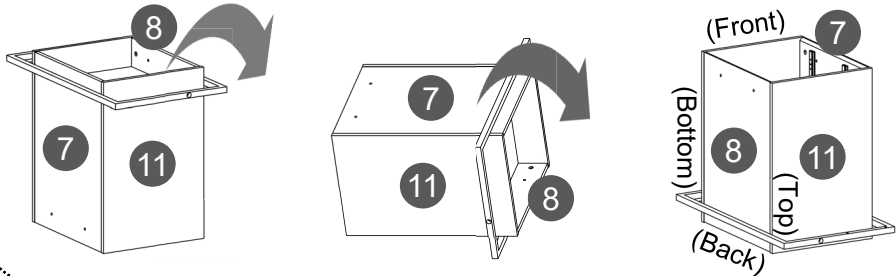
STEP 7

Hardware:

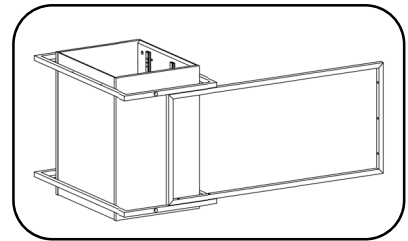
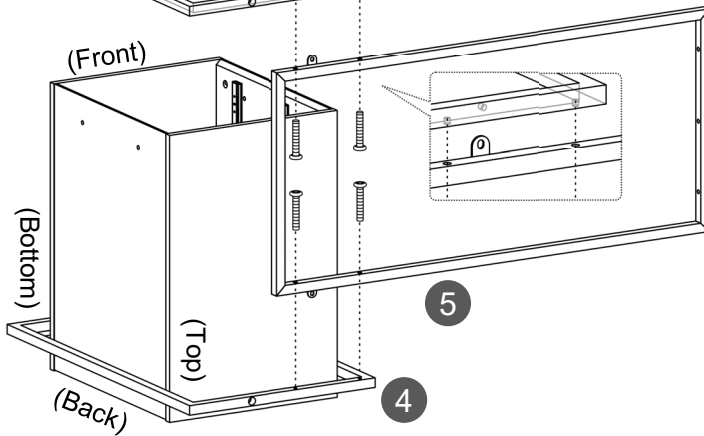


- With the help of another person, flip the cabinet 180 degrees towards the **RIGHT** or the **LEFT** (but do not flip towards the front or the back) to have its **front** opening facing towards the **top** as shown.
- With the help of another person, assemble the Top horizontal structure **5** to the structure **4** with screws **C**, making sure the tabs go under the other structures.
- Assemble the Right front structure **3** to the structure **5** with screws **C**.

Flip 180° to the **RIGHT** or the **LEFT**, but do not flip towards the front or the back.



The tabs on 5 go under the other structures

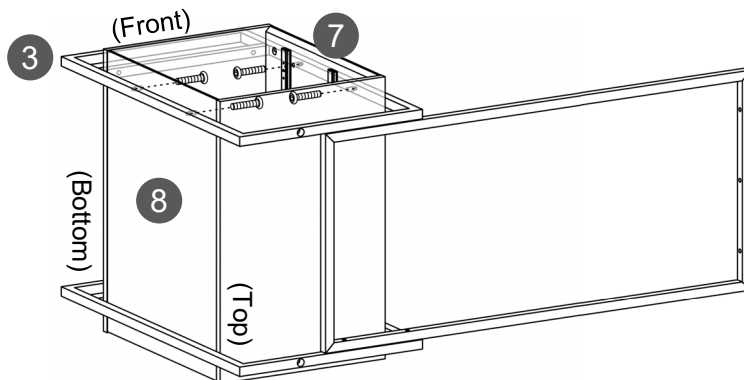


STEP 8

Hardware:





Secure the Right front structure **3** to the side panels **7** and **8** with screws **B** from inside of the cabinet.



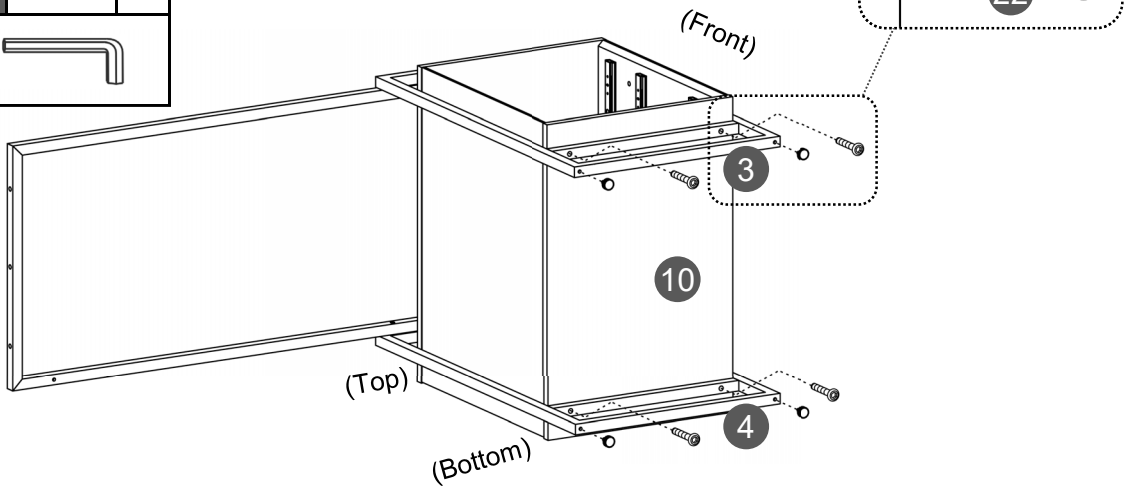
**STEP 9**

**Hardware:**

<b>C</b>		4 Pcs
	M6x30	
<b>22</b>		4 Pcs




- Secure the structures **3** and **4** to the Bottom panel **10** with screws **C**.
- Attach the Glide studs **22** to the structures **3** and **4**.



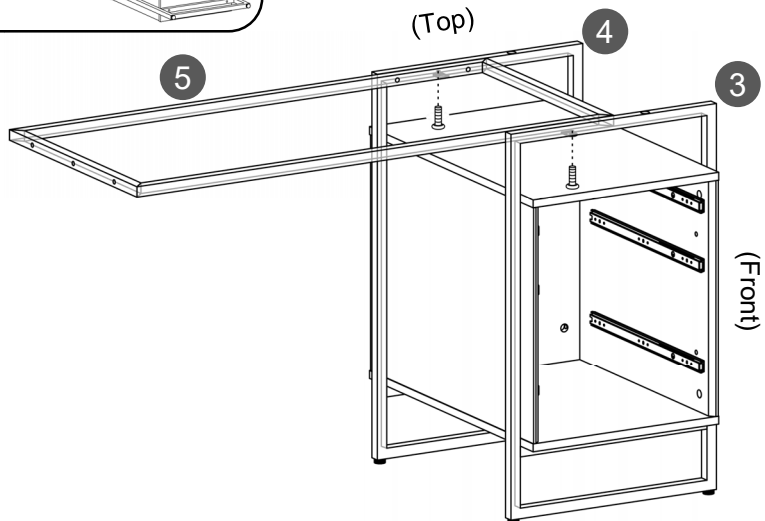
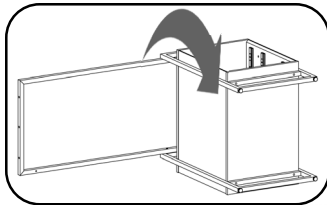
**STEP 10**

**Hardware:**

<b>A</b>		2 Pcs
	M6x15	



- With the help of another person, bring the unit upright.
- Secure the structure **5** to the structures **3** and **4** with screws **A** from underneath.
- If you don't see the holes for the screws, please go back and review step 7.



**STEP 11**

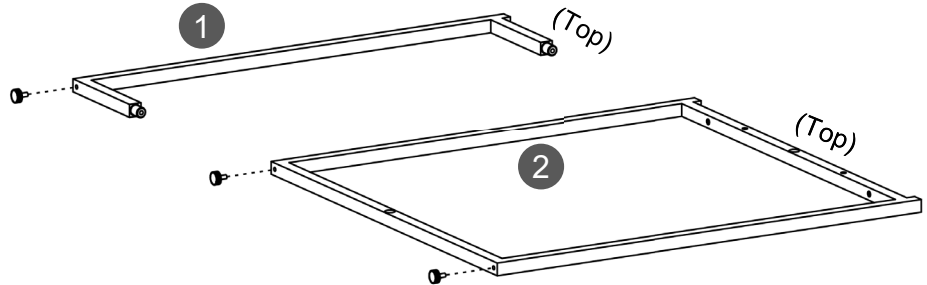
**Hardware:**

22



3 Pcs

Attach the Glide studs **22** to Left support leg **1** and Left structure **2**.



**STEP 12**

**Hardware:**

A



1 Pc

C



1 Pc

D



2 Pcs

H

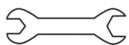


2 Pcs

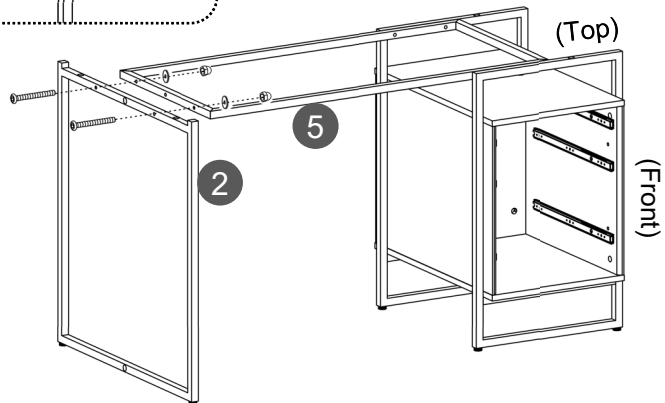
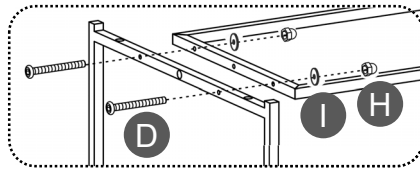
I



2 Pcs

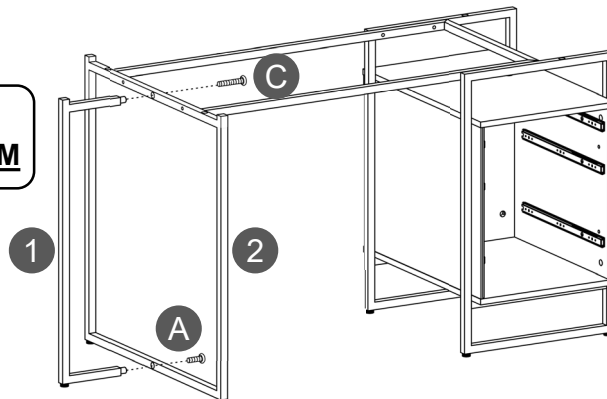


- First assemble the Left structure **2** to the structure **5** with screws **D**, washers **I** and nut caps **H**. The screws go from outside through **2** and **5**, and secured on the other side with the washers and nuts.



- Then assemble the Left support leg **1** to the Left structure **2** with a screw **C** at the top and a screw **A** at the bottom.

**C for the TOP**  
**A for the BOTTOM**



## STEP 13

## Hardware:

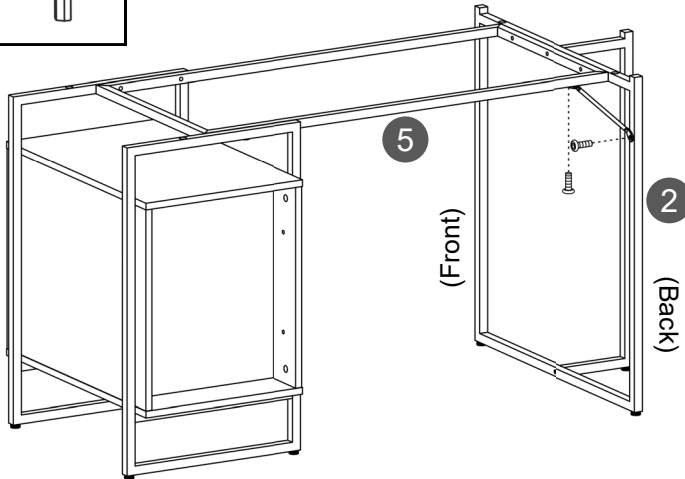
A



M6x15

2  
Pcs

From behind the unit, attach the Small support bar **24** to the structures **2** and **5** with screws **A**.



## STEP 14

## Hardware:

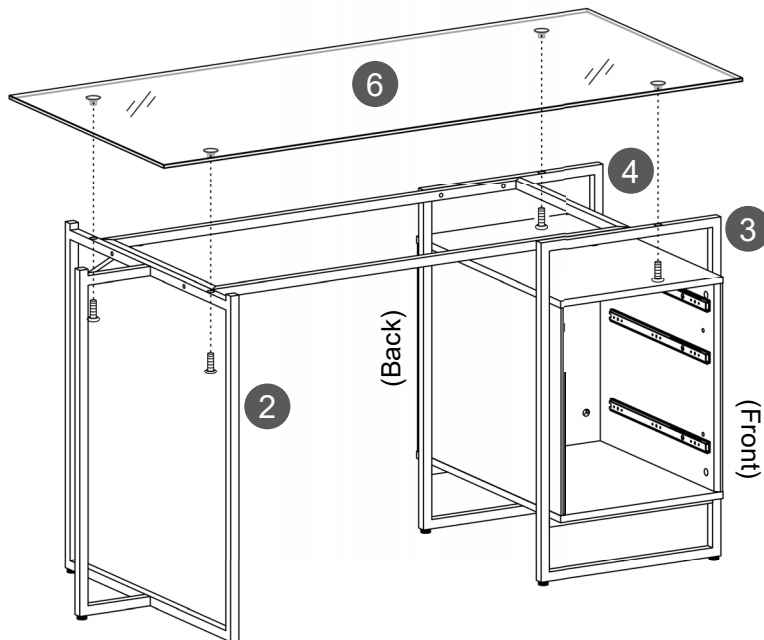
A



M6x15

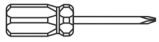
4  
Pcs

With the help of another person, carefully place the Glass tabletop **6** over the frame so the metal studs from the glass enter into the big holes of the structures **2**, **3** and **4**, then secure it with screws **A** from underneath.

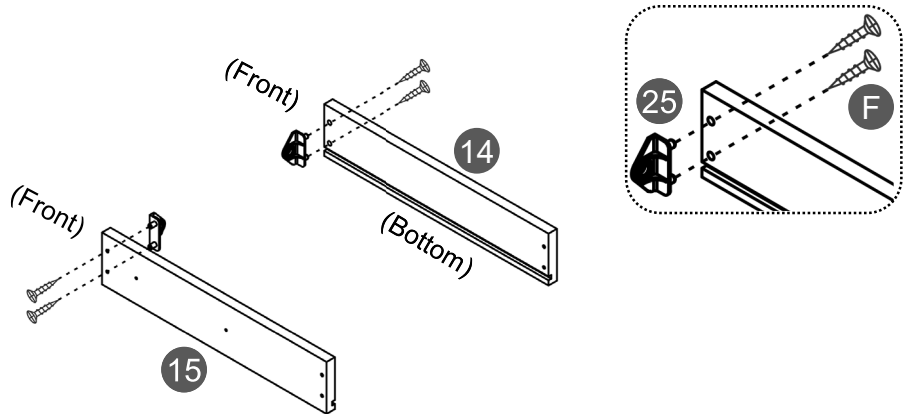


**STEP 15****Hardware:**

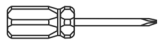
F		8 Pcs
	ST3x15	
25		4 Pcs



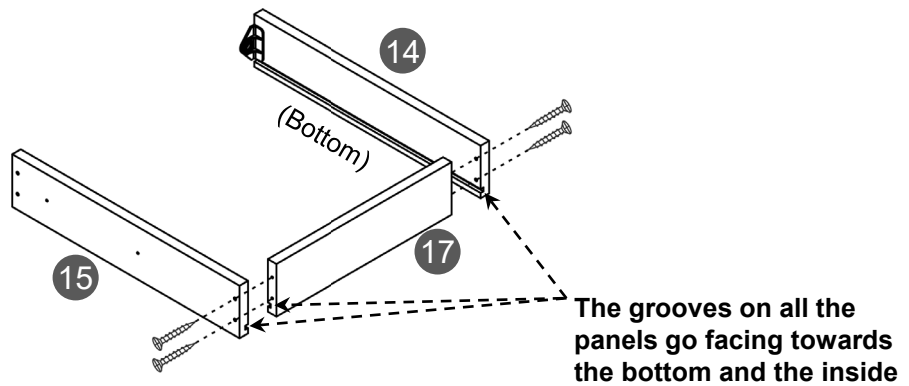
For each of the small drawers, attach the Drawer connectors **25** to the inside of the Drawer side panels **14** and **15** with screws **F**.

**STEP 16****Hardware:**

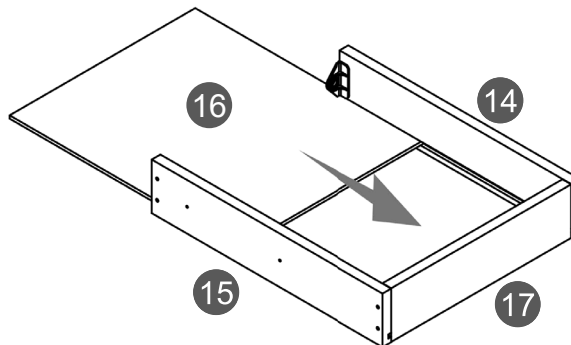
G		8 Pcs
	ST4x35	



For each of the small drawers, assemble the back panel **17** to the side panels **14** and **15** with screws **G**.



**STEP 17**

For each of the small drawers, slide the Bottom panel **16** through the grooves on panels **14** and **15** and into the groove of panel **17**.

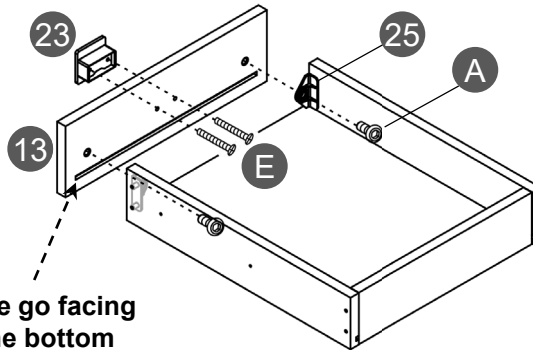


**STEP 18**

**Hardware:**

<b>A</b>		4 Pcs
<b>E</b>		4 Pcs

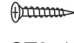

- For each of the small drawers, assemble the Front panel **13** to the Connectors **25** with screws **A** from the inside.
- For each of the small drawers, attach the Handle **23** to the Front panel **13** with screws **E** from inside.



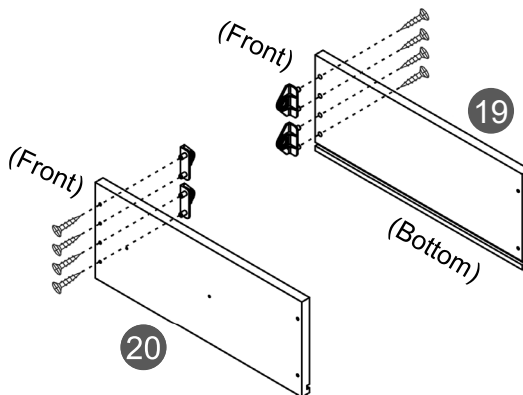
The groove go facing towards the bottom

**STEP 19**

**Hardware:**

<b>F</b>		8 Pcs
<b>25</b>		4 Pcs

Attach the Drawer connectors **25** to the inside of the Large drawer side panels **19** and **20** with screws **F**.

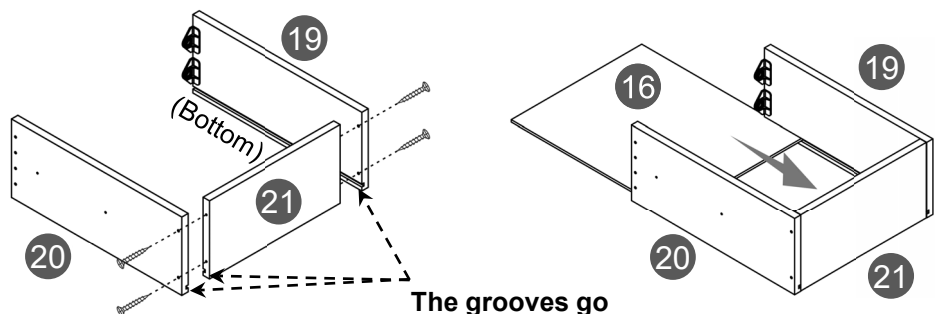


**STEP 20**

**Hardware:**

<b>G</b>		4 Pcs
----------	---	-------



- Assemble the back panel **21** to panels **19** and **20** with screws **G**.
- Slide the Bottom panel **16** through the grooves on panels **19** and **20** and into the groove of panel **21**.



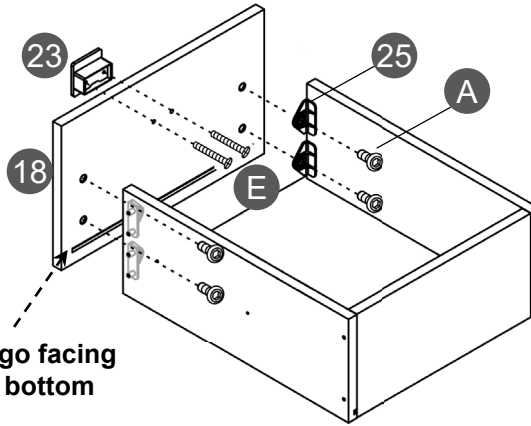
The grooves go facing towards the bottom and the inside

**STEP 21**

**Hardware:**

<b>A</b>		4 Pcs
<b>E</b>		2 Pcs

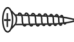
- Assemble the Front panel **18** to the Connectors **25** with screws **A** from the inside.
- Attach the Handle **23** to the Front panel **18** with screws **E** from inside.



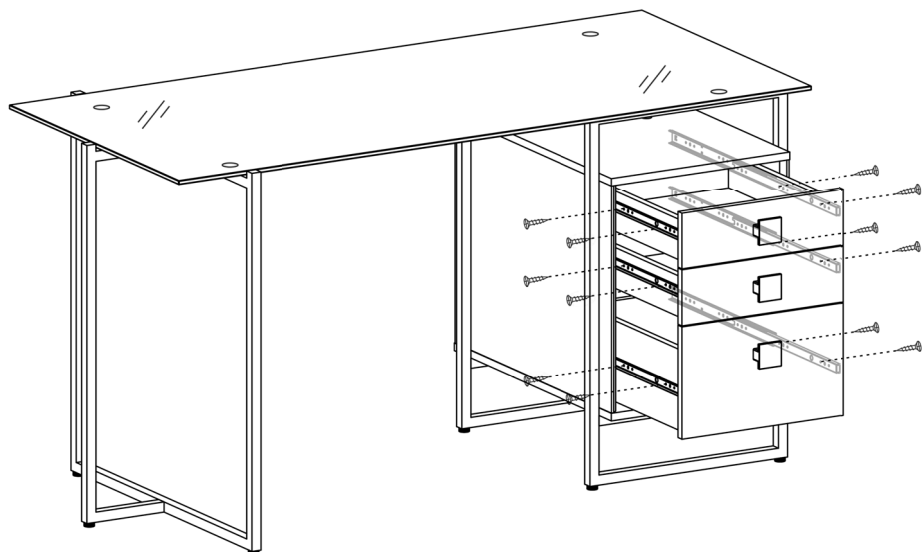
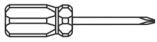
The groove go facing towards the bottom

**STEP 22**

**Hardware:**

<b>F</b>		12 Pcs
----------	--	-----------

With the help of another person, install all the drawers starting with the large one on the bottom, by pulling out the sliders inside the cabinet, and securing each drawer to the sliders on the sides with screws **F** as shown.

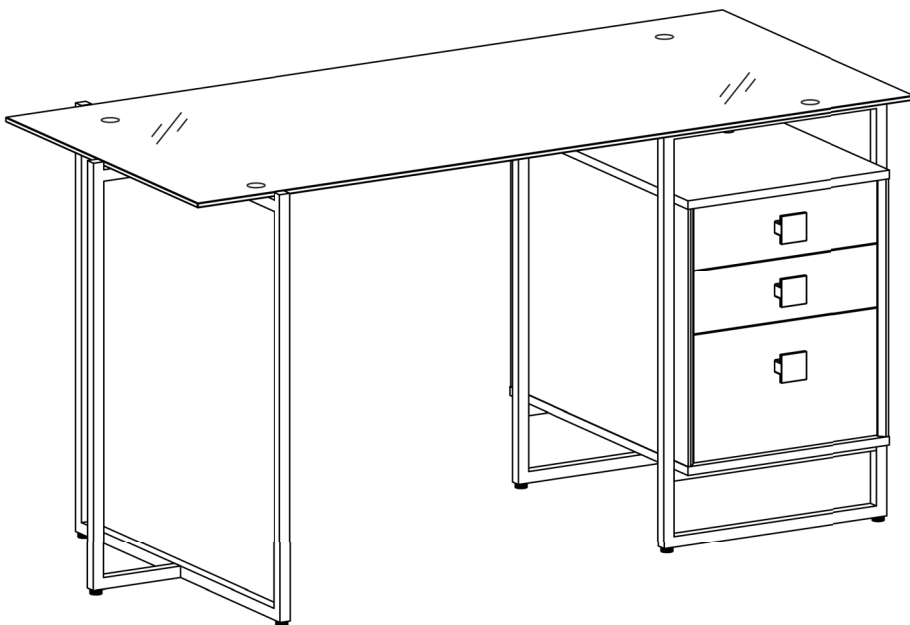






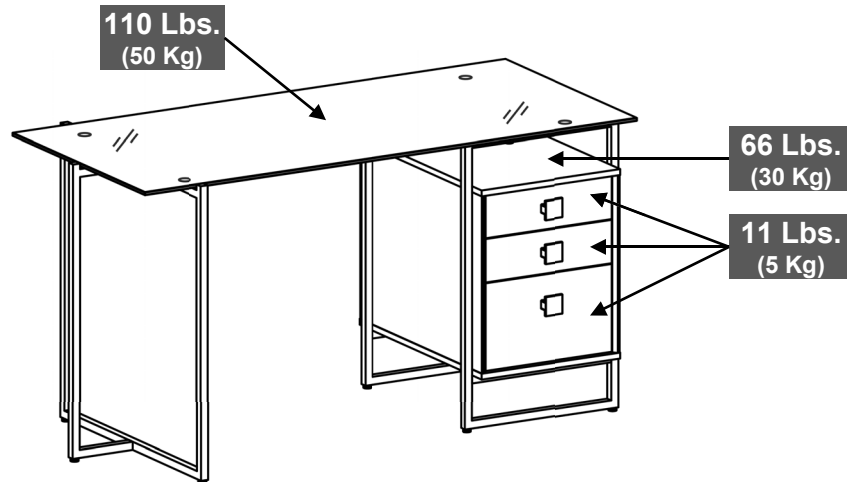
# ALL DONE!

Give yourself a nice pat on the back. You did a great job!



**AFTER THE ASSEMBLY IS DONE, PLEASE READ CAREFULLY THE FOLLOWING CARE AND MAINTENANCE WARNINGS:**

**WEIGHT LIMITS**



- Do not exceed the indicated weight limits.
- Do not expose the surfaces to direct sunlight or to extreme environmental conditions.
- Clean the surfaces preferable with a clean cloth damped in a solution of mild soap and water, then dry with a clean towel.
- Do not use solvents or abrasive materials to clean the unit.
- If you decide to use a cleaning agent, test first on an area hidden from view such as inside one of the drawers.
- Do not sit on the unit or lean against it.
- Do not allow small children to play under or over the unit.
- Do not allow small children to reach inside the drawers without your supervision.
- Do not pull, push or drag the unit to move it for more than 1 feet. The unit must be lifted by at least 2 persons when moving in the same or adjacent rooms.
- Before moving the unit, make sure to secure or remove any object that is heavy or might fall off.
- Always lift from the frame. Avoid lifting from the glass to avoid part damage/separation.
- When lifting the unit, use both hands and bend your knees, not your backs.
- When transporting the unit to places far away, protect and secure the unit to avoid damage in transit.
- The glass is made of safety tempered glass. The safety feature is that when breakage occurs, the glass shatters into many tiny pieces minimizing the risk of serious injuries. If the glass breaks, do not handle the pieces with your bare hands, take some pictures and contact Customer Service immediately.
- Shall any part of the unit become defective during the warranty period, replacement parts might be available to you at no charge. Please refer to the last pages on this manual.
- The warranty does not extend to regular wear and tear, nor the manufacturer assumes liability for damages or consequences due to accidents, incorrect assembly, negligence, improper use, modifications, or not heeding the above warnings.

**TECHNI MOBILI WARRANTY**  
**DESKS/LAPTOP CARTS/FILE CABINETS: LIMITED 5-YEAR WARRANTY**  
**TV Stand/Entertainment Center: 2 YEAR WARRANTY**

RTA Products, LLC warrants to the Original Purchaser who acquired a new product from RTA Products or its authorized resellers that this product will be free from defects in its workmanship and materials, under normal use and service conditions, as described herein. "Defects" as used in this warranty, is defined as any imperfections that impair the use of the furniture or product. RTA Products LLC will replace any defective part, at its discretion, and without charge to the original purchaser other than the freight from the end consumer to RTA Products.

Replacement parts can only be supplied if parts are available. Items out of production may be unavailable. This warranty will be effective for the applicable time period beginning the date of purchase on your original sales receipt. RTA product's obligation under this warranty is limited to repairing or replacing products or parts as provided herein. This product has been designed for and is intended for office and home-office use only. This warranty is Original Purchaser's sole remedy for product defects, and this warranty does not extend to any product, or damage to any product, caused by or attributed to abuse or misuse, products used for commercial or rental purposes, use modifications of, or attachments to the product, and products or parts not used, maintained, or extended hereunder is in lieu of any and all other warranties, express or implied, including without limitations any implied warranty or merchantability or of fitness for a particular purpose. Please note, all desks made with PVC Laminate surface should not be exposed to direct sunlight, as it may damage the material. Damage of this nature is not covered under this warranty.

RTA Products will not be responsible for indirect, special, incidental or consequential damages. This warranty is limited to merchandise purchased in the Continental United States. Some States do not allow the exclusion or limitation of incidental or consequential damages, so the above limitations or exclusions may not apply to you. This warranty gives you specific legal rights. You may also have other rights that may vary from state to state.

RTA Products will advise you of the procedure to follow in making warranty claims. The following are the procedures for warranty claims:

- a. Call us Monday – Friday, from 9am-5pm (Eastern Time) at (866) 782-5520 to explain the defect and give your name, address and phone number. Please have ready the model number of our product, date and place of purchase. You can also write to us by e-mail to [warranty@rtaproducts.com](mailto:warranty@rtaproducts.com) and include the same information.
- b. If we determine that replacement will remedy the situation, and in order to determine the extent or the cause of the defect, purchaser will need to send the part in question at purchaser's expense. Once we receive the part, we will examine it and determine whether the claim is valid (or not), and then proceed to send the replacement. We will ship the replacement at our expense.

# FOR SEVERAL HELP OPTIONS INCLUDING REPLACEMENT PARTS ORDERS

---

VISIT: [WWW.TECHNIMOBILI.COM](http://WWW.TECHNIMOBILI.COM)



CLICK ON SUPPORT TAB



Scan QR Code to order replacement parts

OR EMAIL US: [SUPPORT@RTAPRODUCTS.COM](mailto:SUPPORT@RTAPRODUCTS.COM)