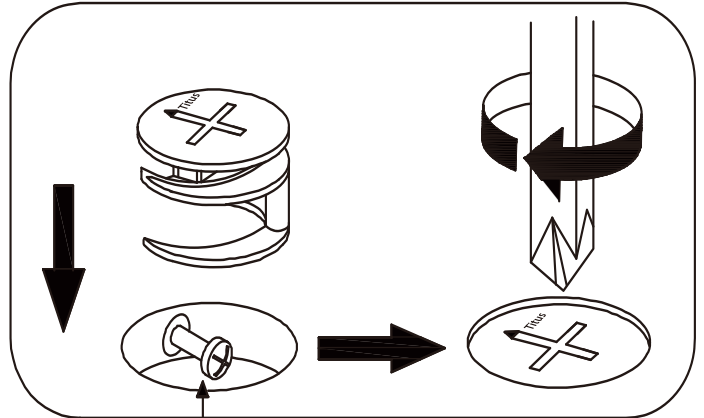
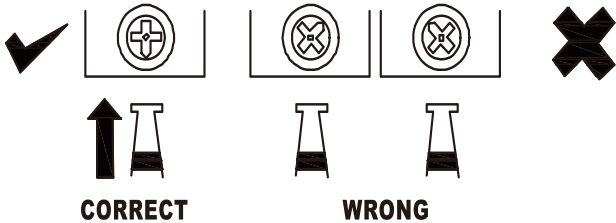
				

SPECIAL TIPS FOR FITTING CAM-LOCKS AND QUICKFIT

CAM-LOCK



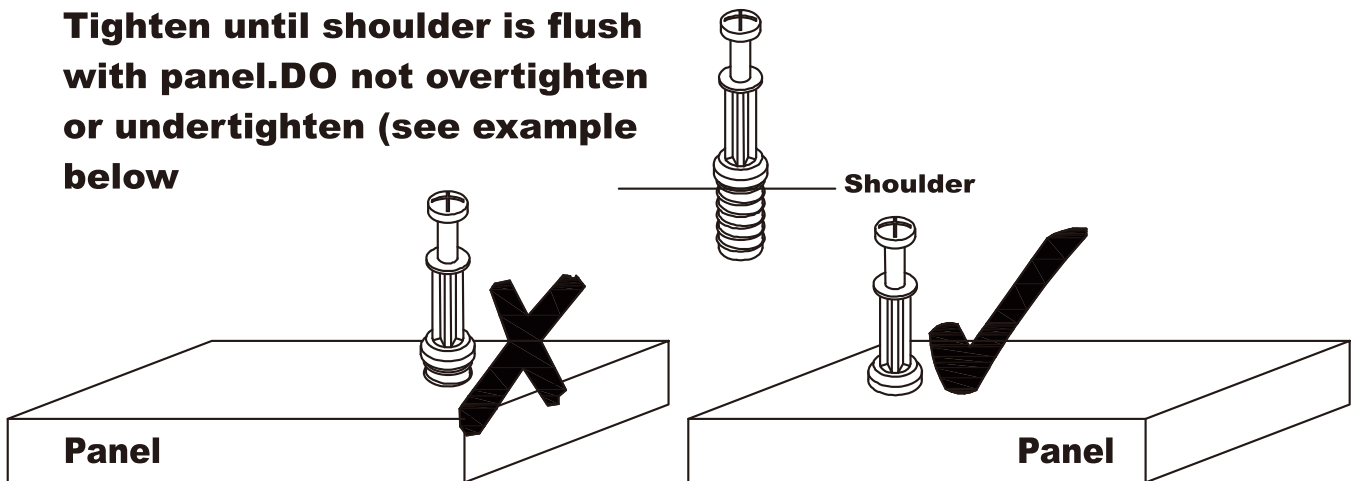
WHEN FITTING CAMLOCK
ENSURE STARTING POSITION IS CORRECT
BEFORE YOU INSERT CONNECTING QUICKFIT
TURN CLOCKWISE UNTIL SECURE



Quickfit head needs to be in centre

QUICKFIT

Tighten until shoulder is flush with panel. DO not overtighten or undertighten (see example below)

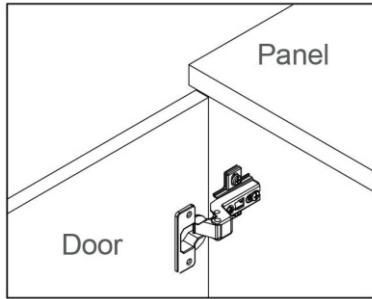


Assembly Steps

HOW TO ADJUST THE HINGES TO ALIGN THE DOORS IF NEEDED.

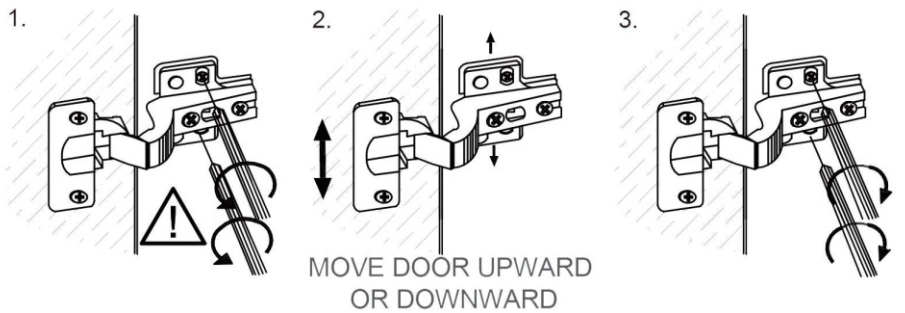
STEP 1

Open the door.



STEP 2

Adjust the door panels upward or downward



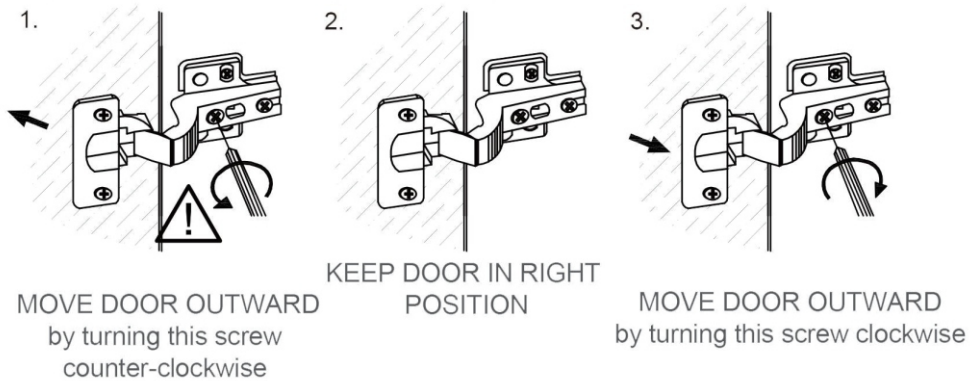
1. Unscrew 2 screws in round holes loosen 2 screws in oval holes a bit.

MOVE DOOR UPWARD OR DOWNWARD

3. Tighten 2 screws in oval holes. Screw in 2 screws in round holes

STEP 3

Adjust the flush between door panel and side panel



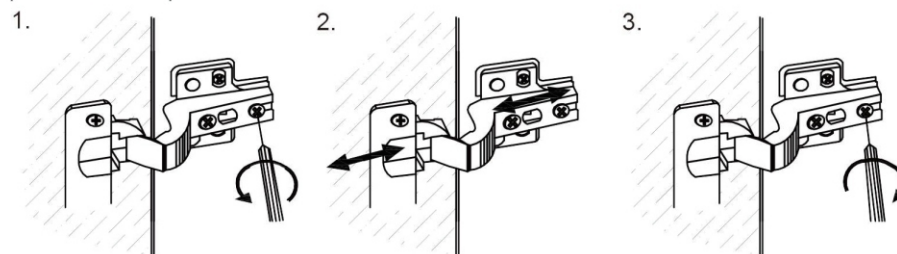
1. MOVE DOOR OUTWARD by turning this screw counter-clockwise

KEEP DOOR IN RIGHT POSITION

3. MOVE DOOR OUTWARD by turning this screw clockwise

STEP 4

Adjust the Gap between door panel and side panel

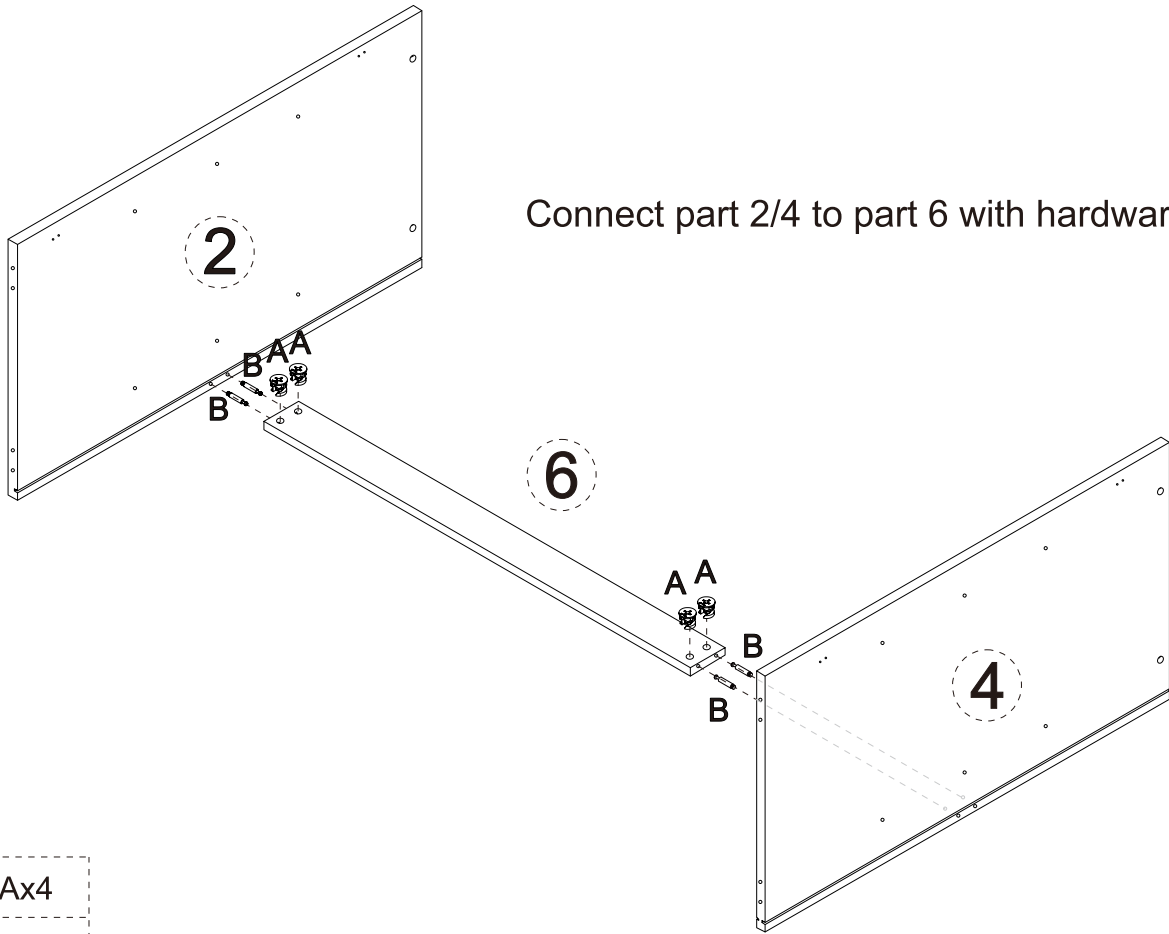


1. Loosen this screw a bit.

MOVE DOOR BACK OR FORTH

3. Re-tighten this screw.

1



Connect part 2/4 to part 6 with hardware A/B.

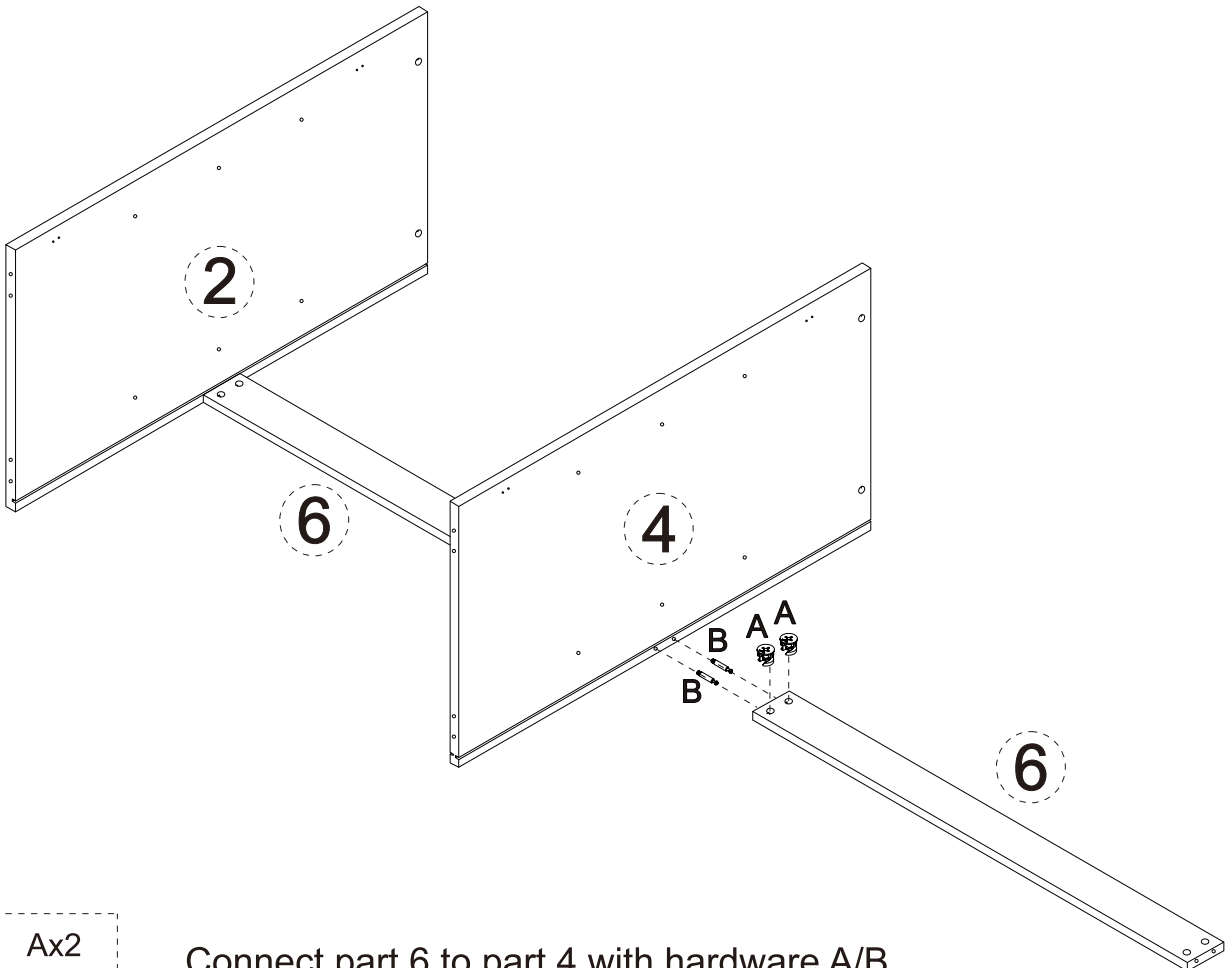


Ax4



Bx4

2



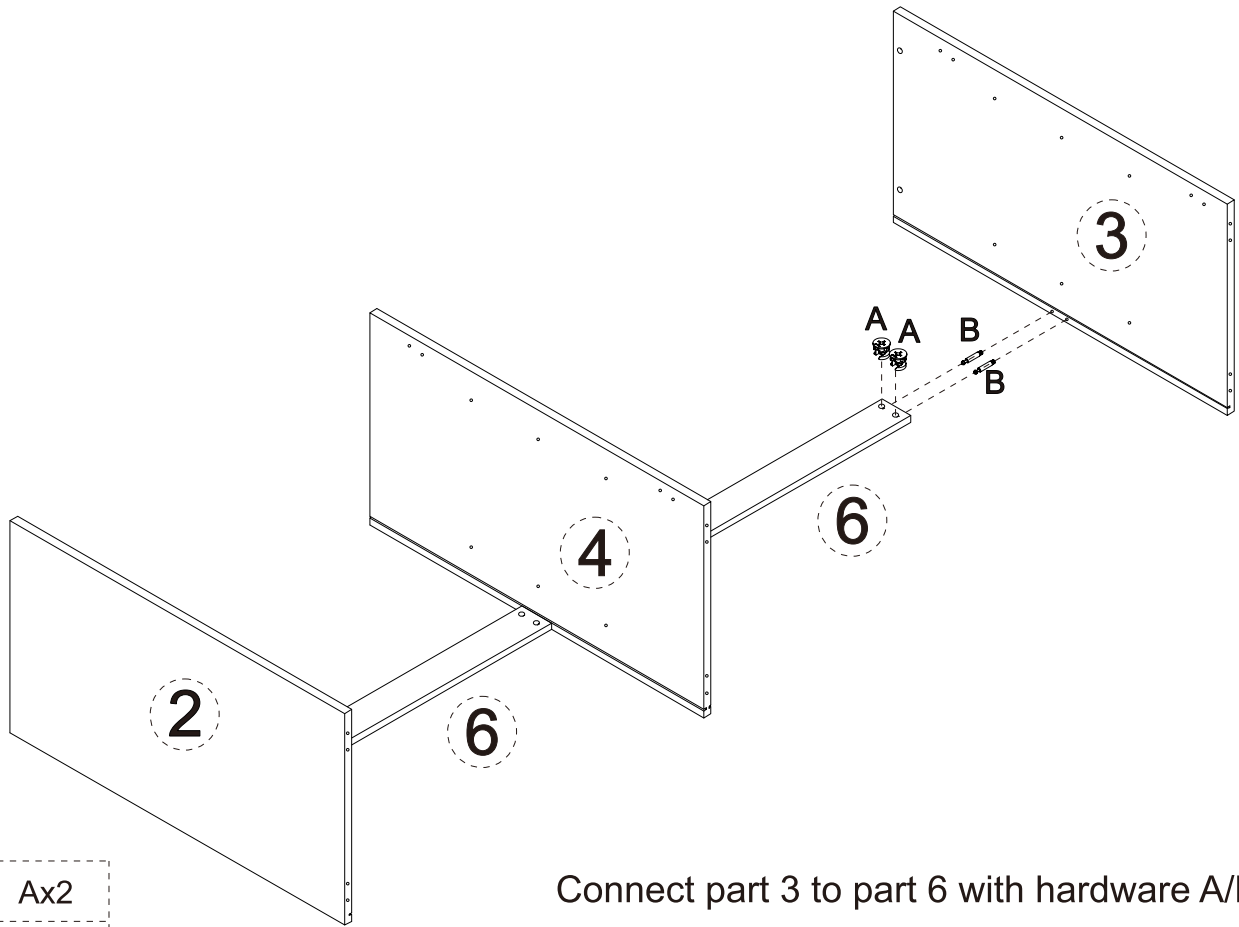
Ax2



Bx2

Connect part 6 to part 4 with hardware A/B.

3



Connect part 3 to part 6 with hardware A/B.

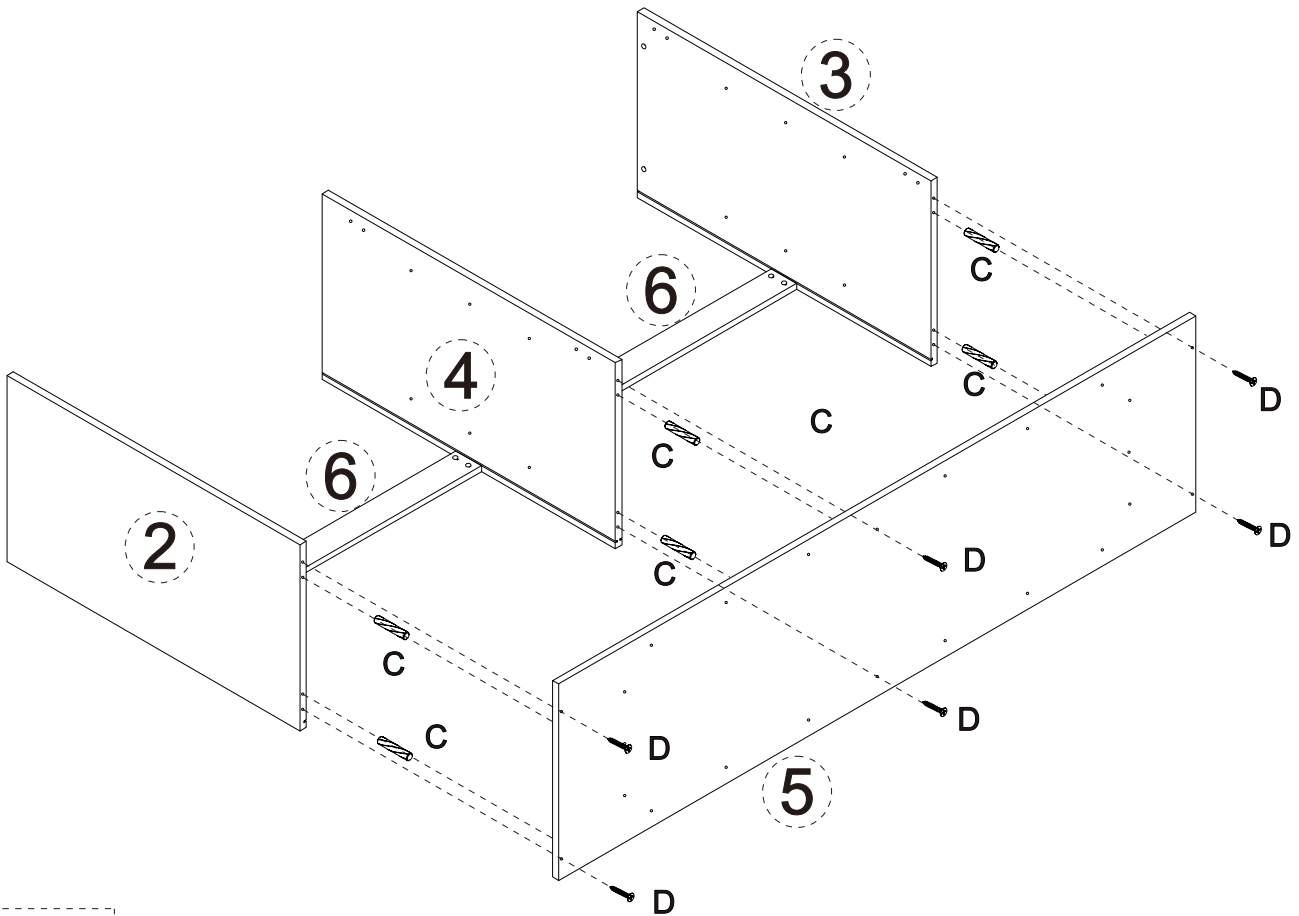


Ax2



Bx2

4



Connect part 5 to part 2/3/4 with hardware C/D.



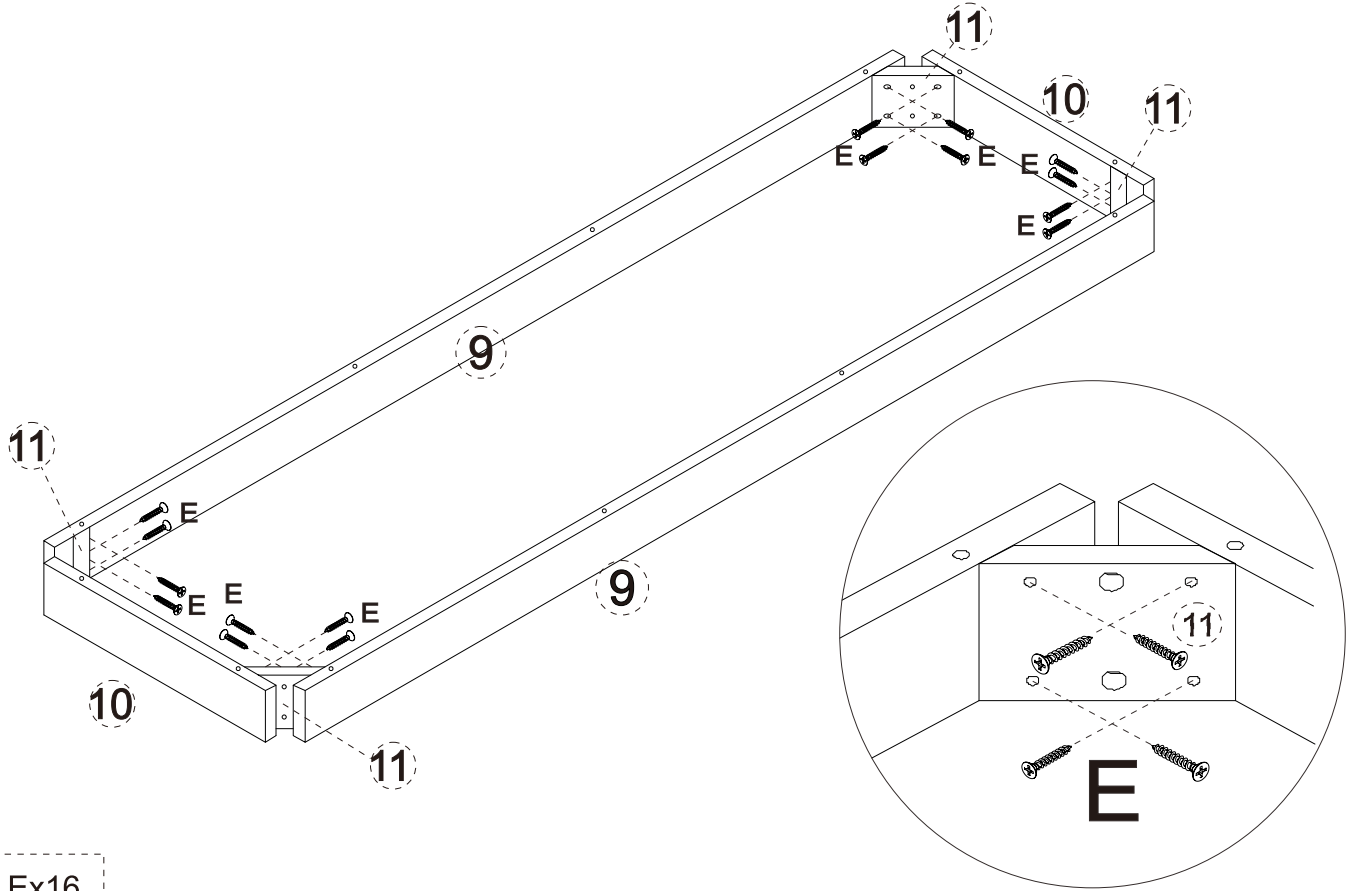
Cx6



Dx6

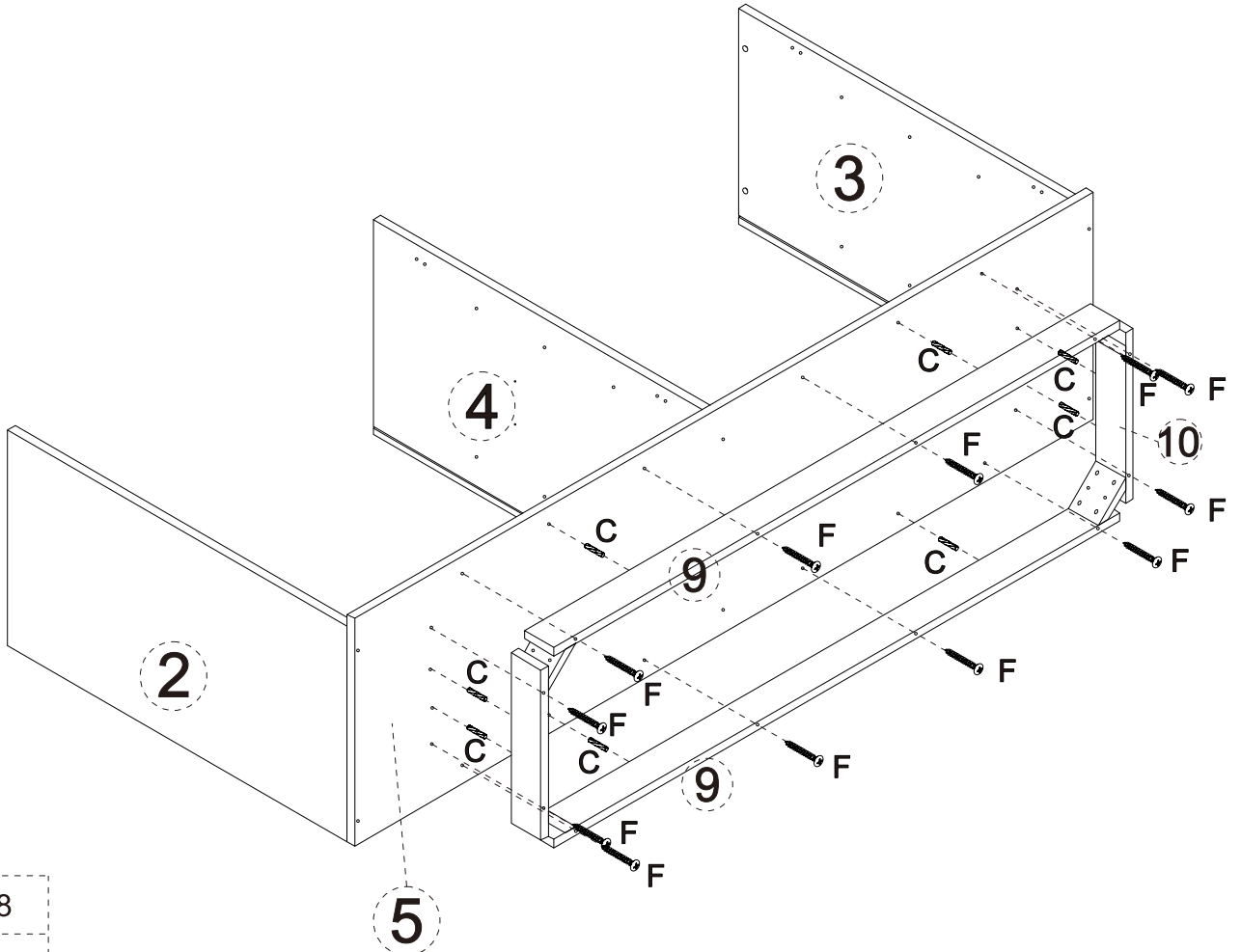
5

Connect part 11 to part 9/10 with screw E.



Ex16

6



Cx8

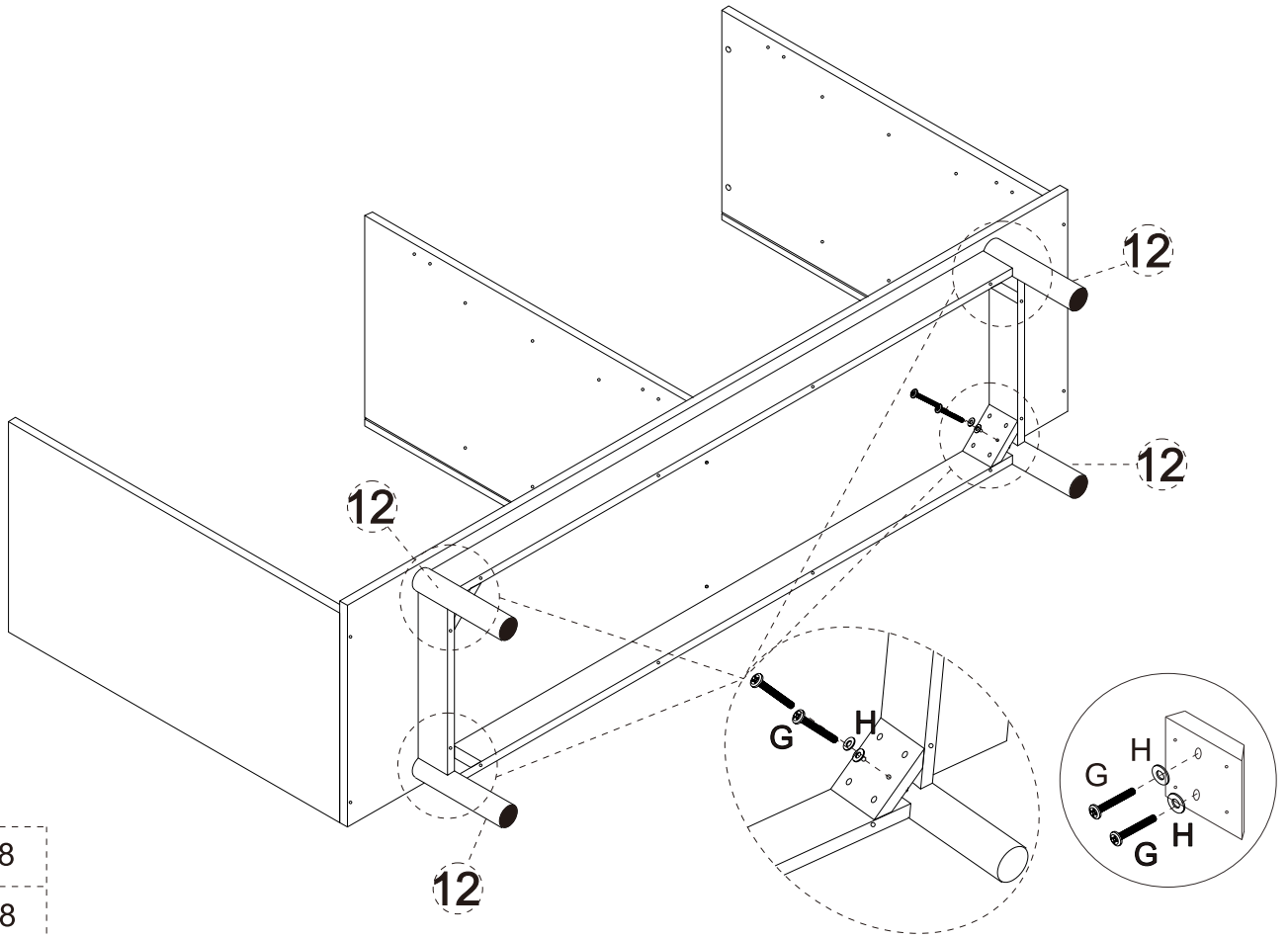


Fx12

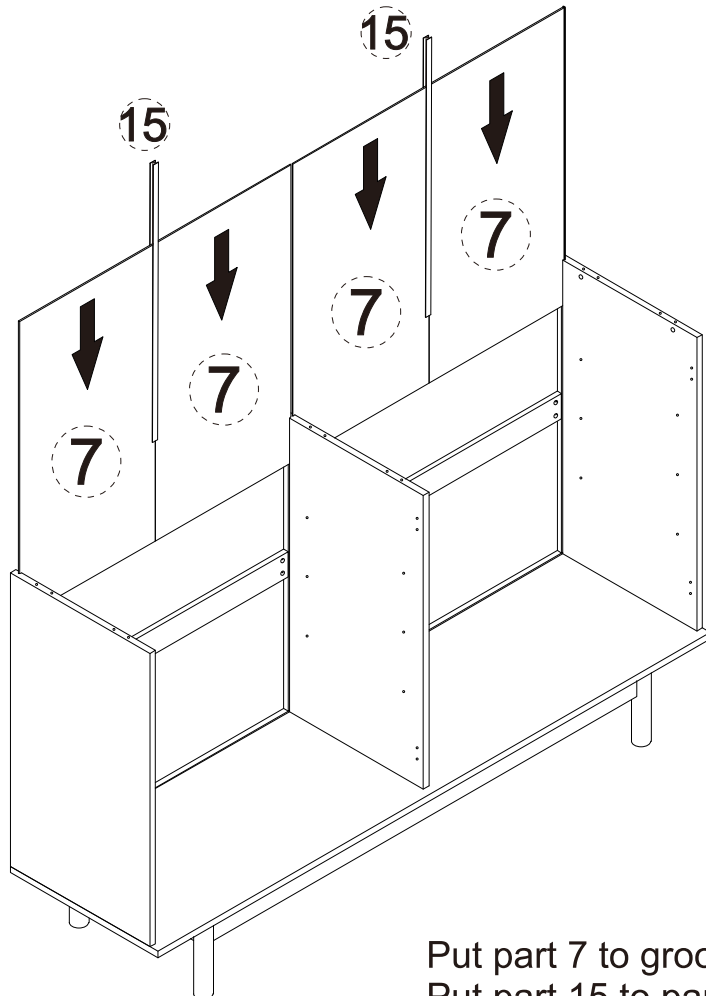
Connect part 9/10 to part 5 with hardware C/F.

7

Connect part 12 to part 9/10 with hardware G/H.

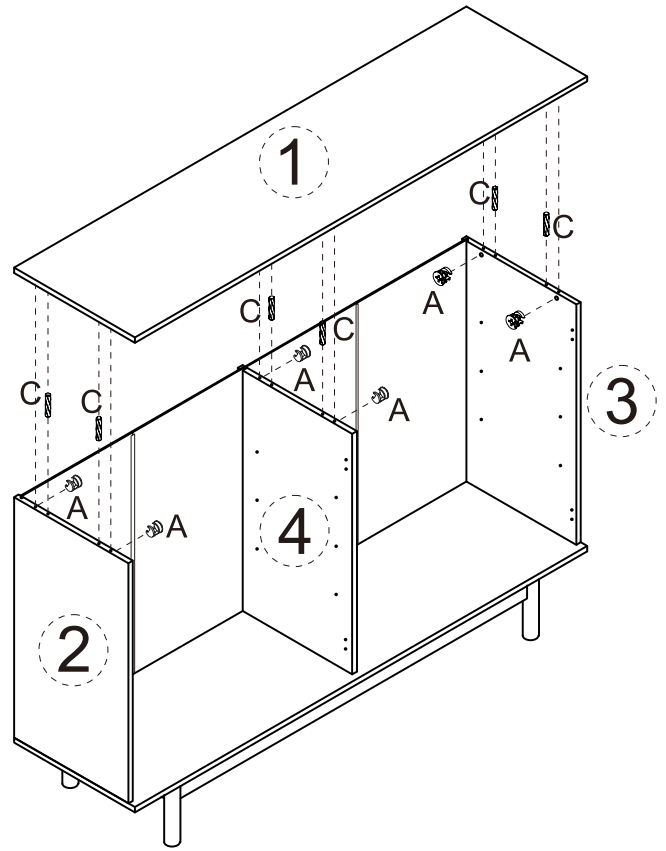
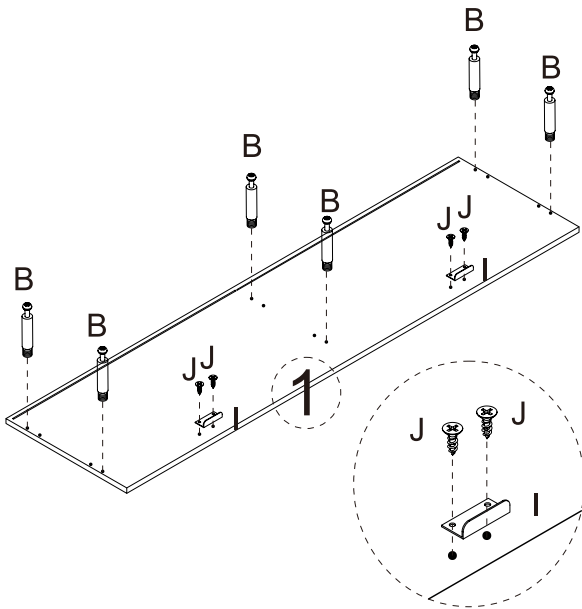


8



Put part 7 to grooves of part 2/3/4/5,
Put part 15 to part 7.

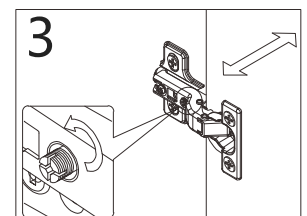
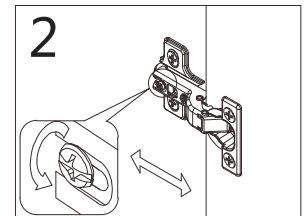
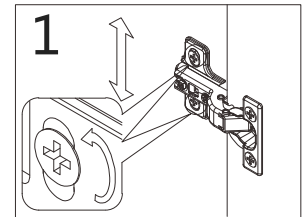
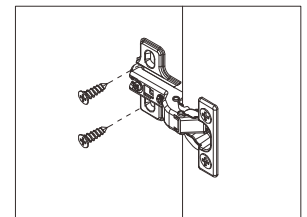
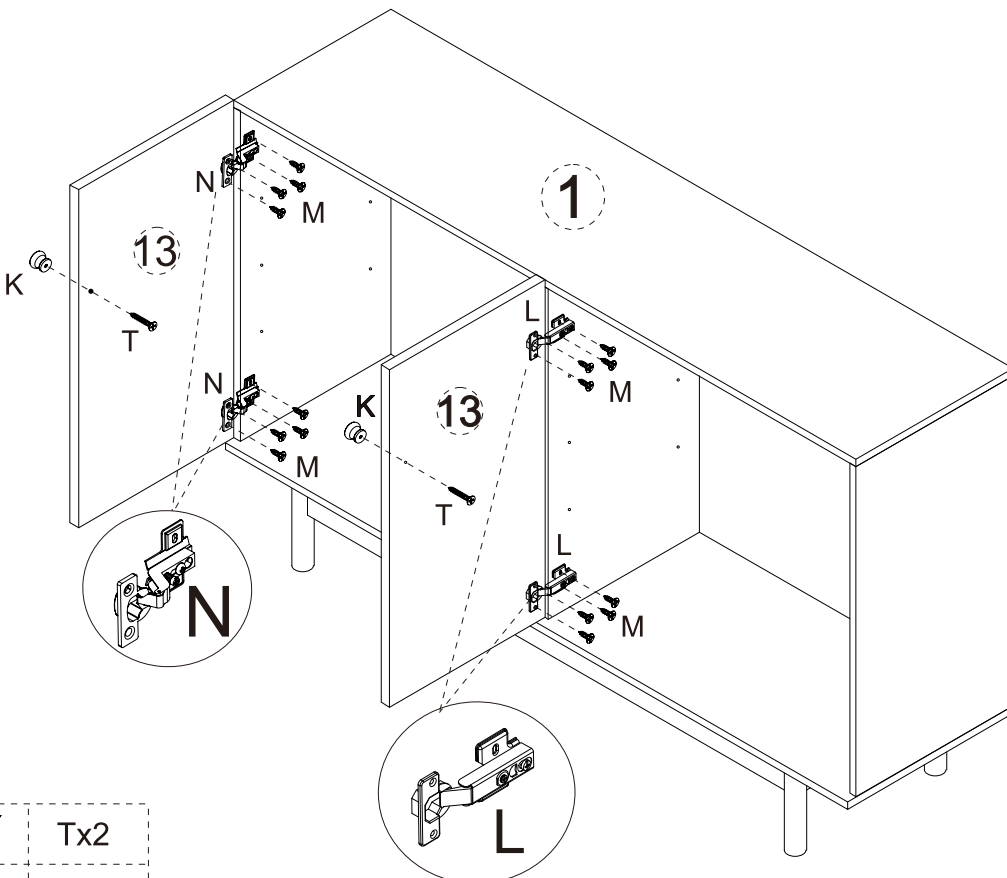
9



	Ax6		Ix2
	Bx6		Jx4
	Cx6		

Connect part I to part 1 with screw J. Screw hardware B to part 1.
Connect part 1 to part 2/3/4 with hardware C/A.

10



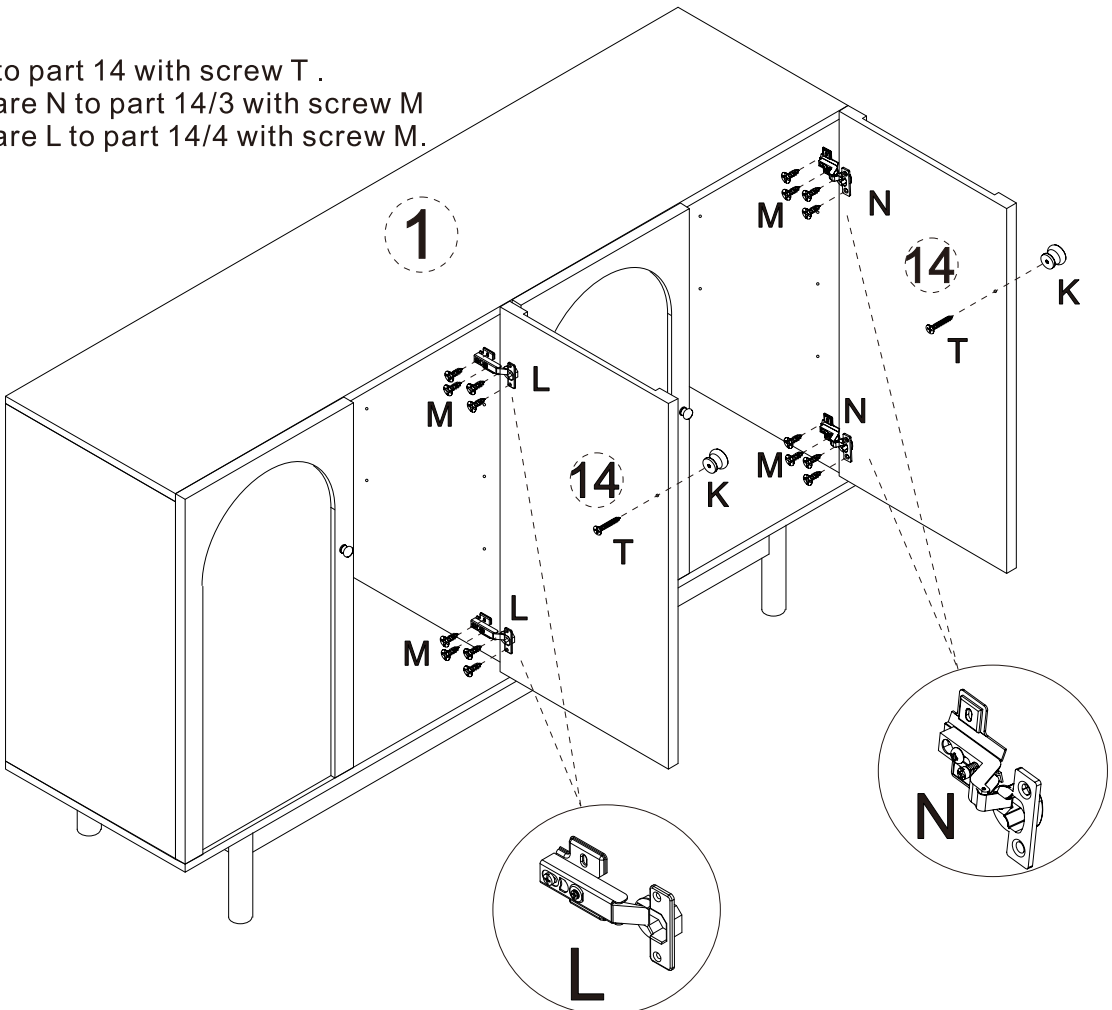
	Tx2		Nx2
	Kx2		Lx2
	Mx16		

Connect part K to part 13 with screw T. Connect hardware N to part 13/2 with screw M

Connect hardware L to part 13/4 with screw M.

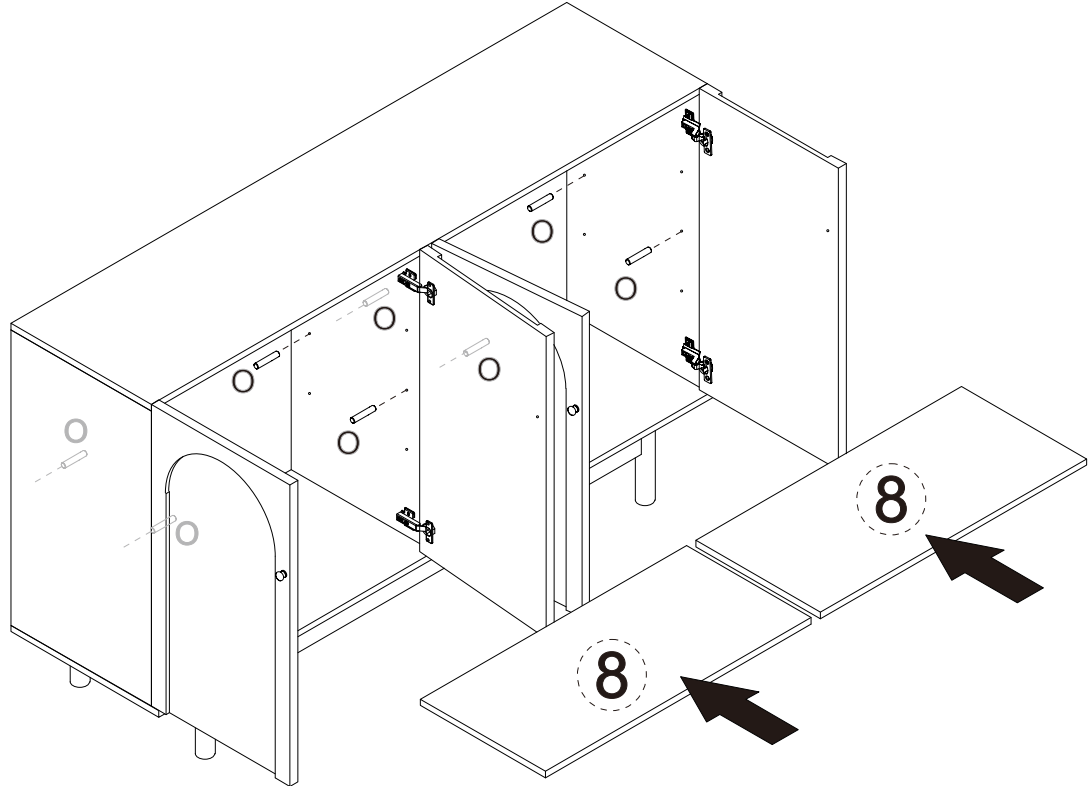
11

Connect part K to part 14 with screw T .
 Connect hardware N to part 14/3 with screw M
 Connect hardware L to part 14/4 with screw M.



	Tx2
	Kx2
	Mx16
	Nx2
	Lx2

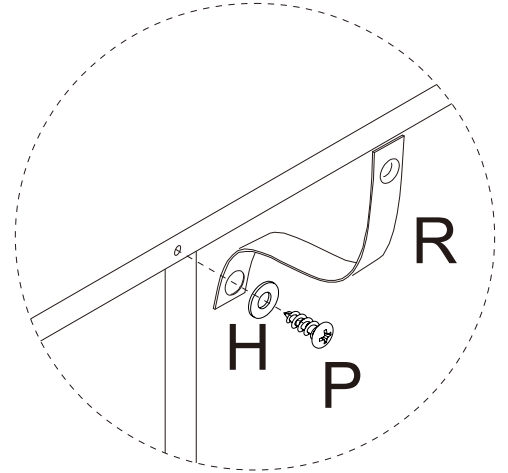
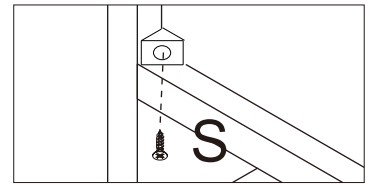
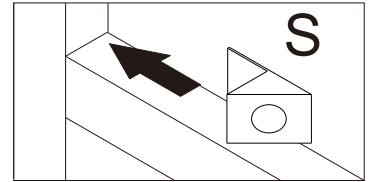
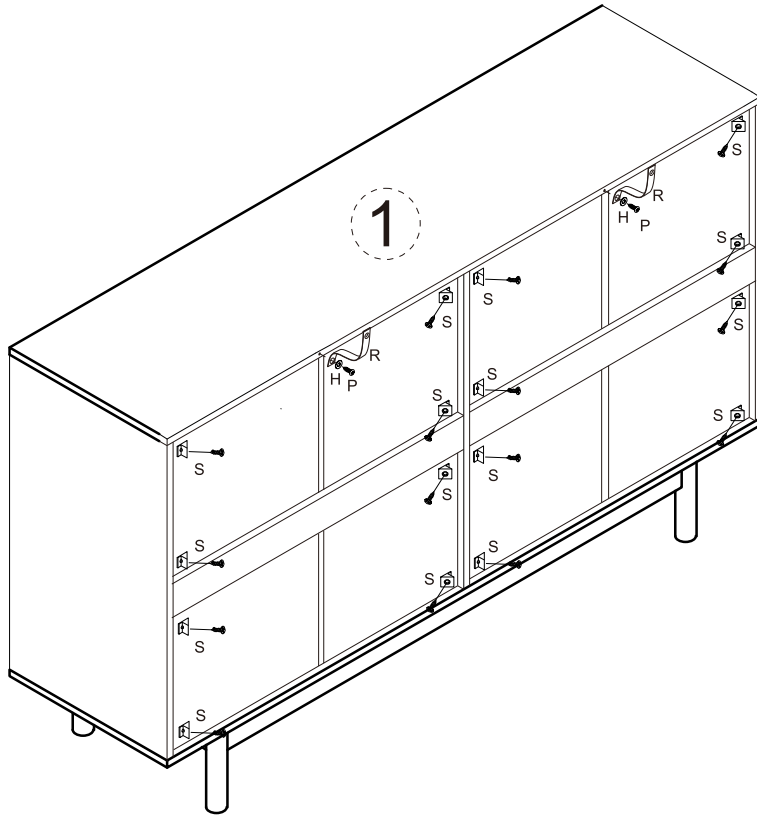
12



Put hardware O to part 2/3/4 .Put part 8 on hardware O.

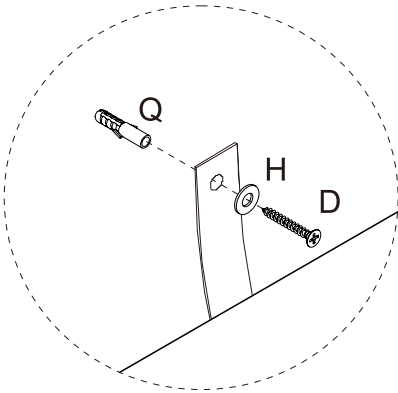
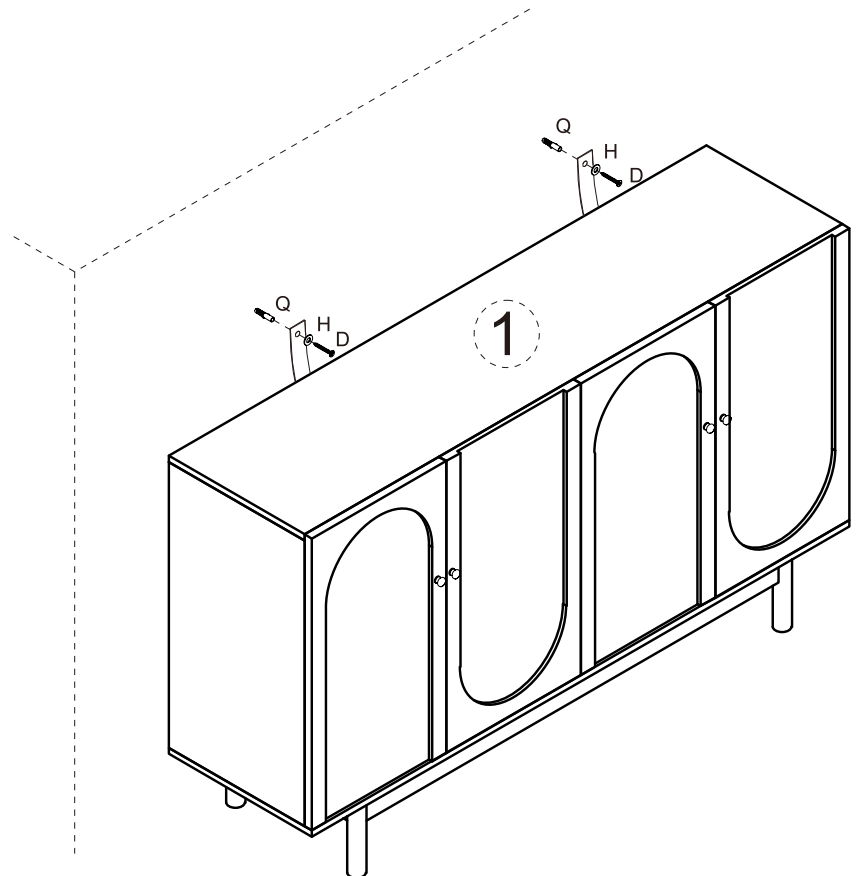
	Ox8
--	-----

13



	Px2	Connect hardware S to back of cabinet with matched screw.
	Hx2	
	Rx2	Connect hardware H/R to cabinet with screw P.
	Sx16	

14



	Dx2
	Hx2
	Qx2

Connect hardware R to wall with hardware Q/H/D.
 Congratulations on your successful installation of this product!