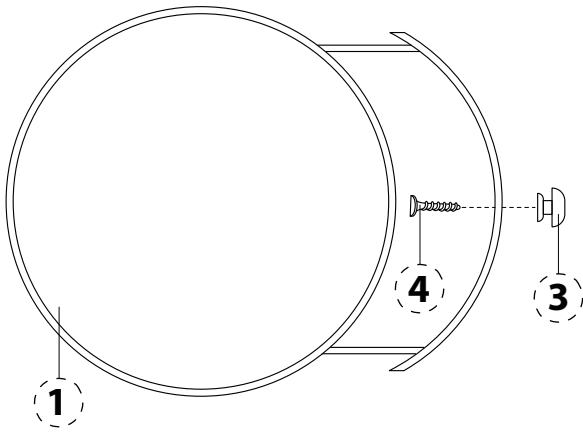


*You will need a Phillips screwdriver (not included)

2

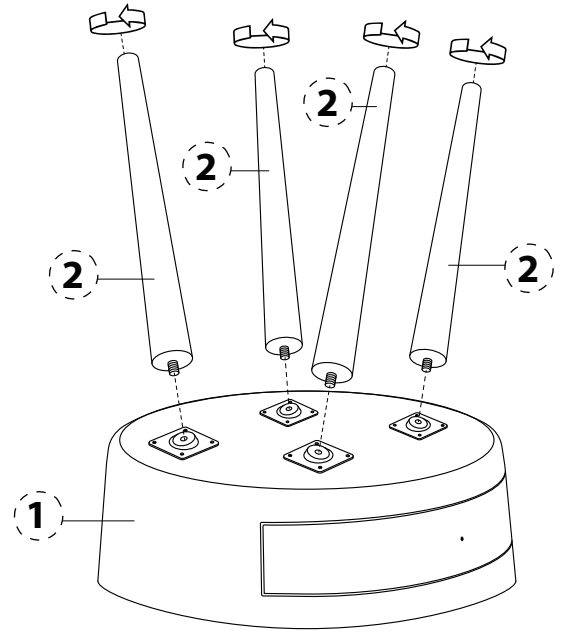
*view from above

screw part 3 and 4 together



1

screw part 1 and 2 together



3

stick 5 to part 2

