

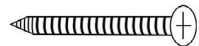


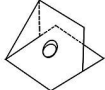
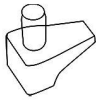

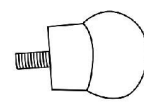



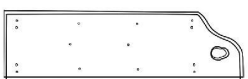
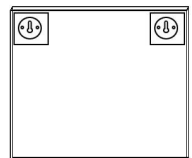

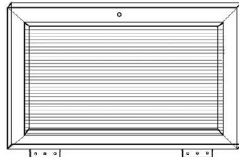
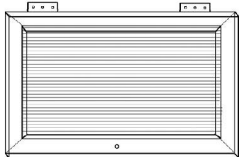
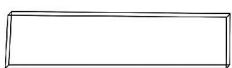
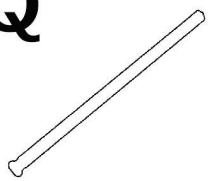

ASSEMBLY INSTRUCTION

(DON'T FULLY TIGHTEN THE SCREWS BEFORE FINISHING ASSEMBLY)

HARDWARE LIST

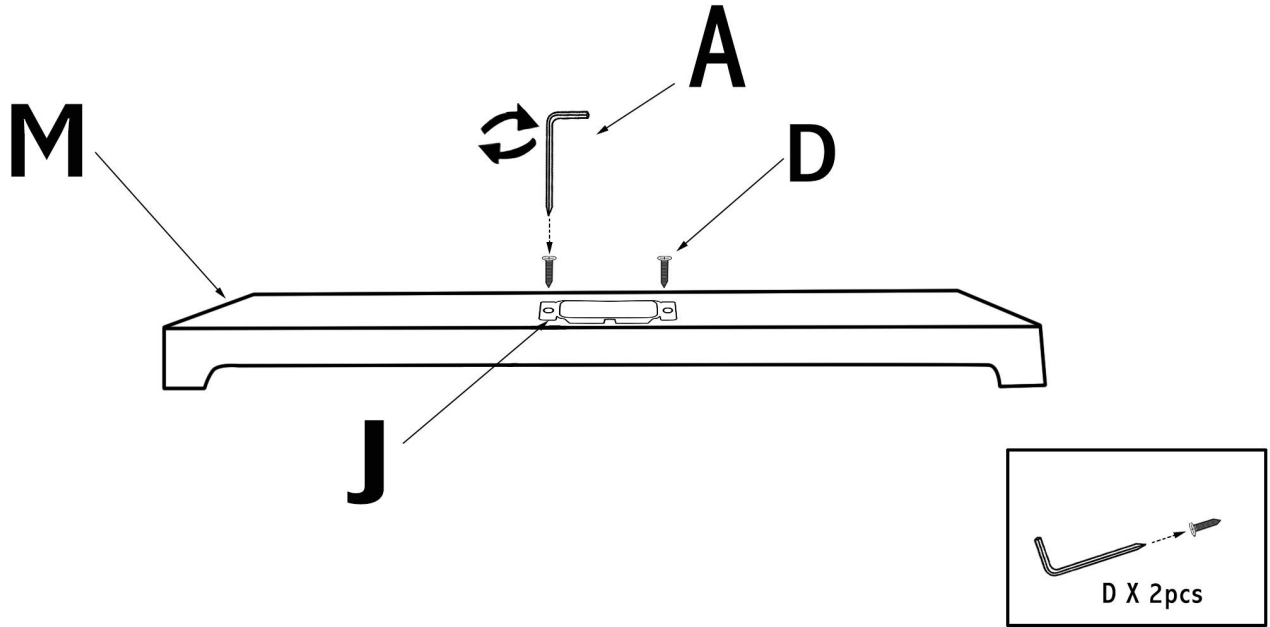
A	B	C	D	E
	 Ø:4x22mm	 Ø:4x40mm	 Ø:3x16mm	 Ø:3x12mm
1pc	2pcs	8pcs	10pcs	12pcs
F	G	H	I	J
				
8pcs	12pcs	2pcs	1pc	1pc

PART LIST

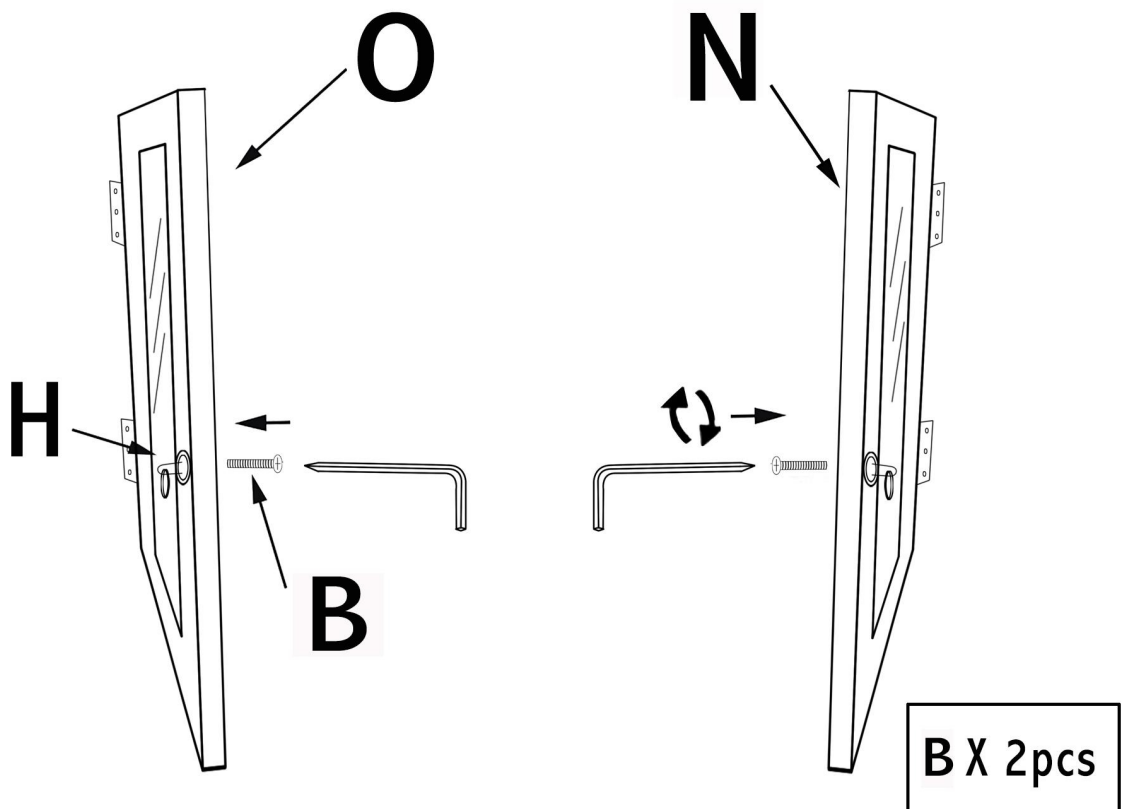
K	L	M	N	O
				
2pcs	1pc	1pc	1pc	1pc
P	Q	R		
				
2pcs	1pc	1pc		

INSTRUCTION STEPS

Step 1

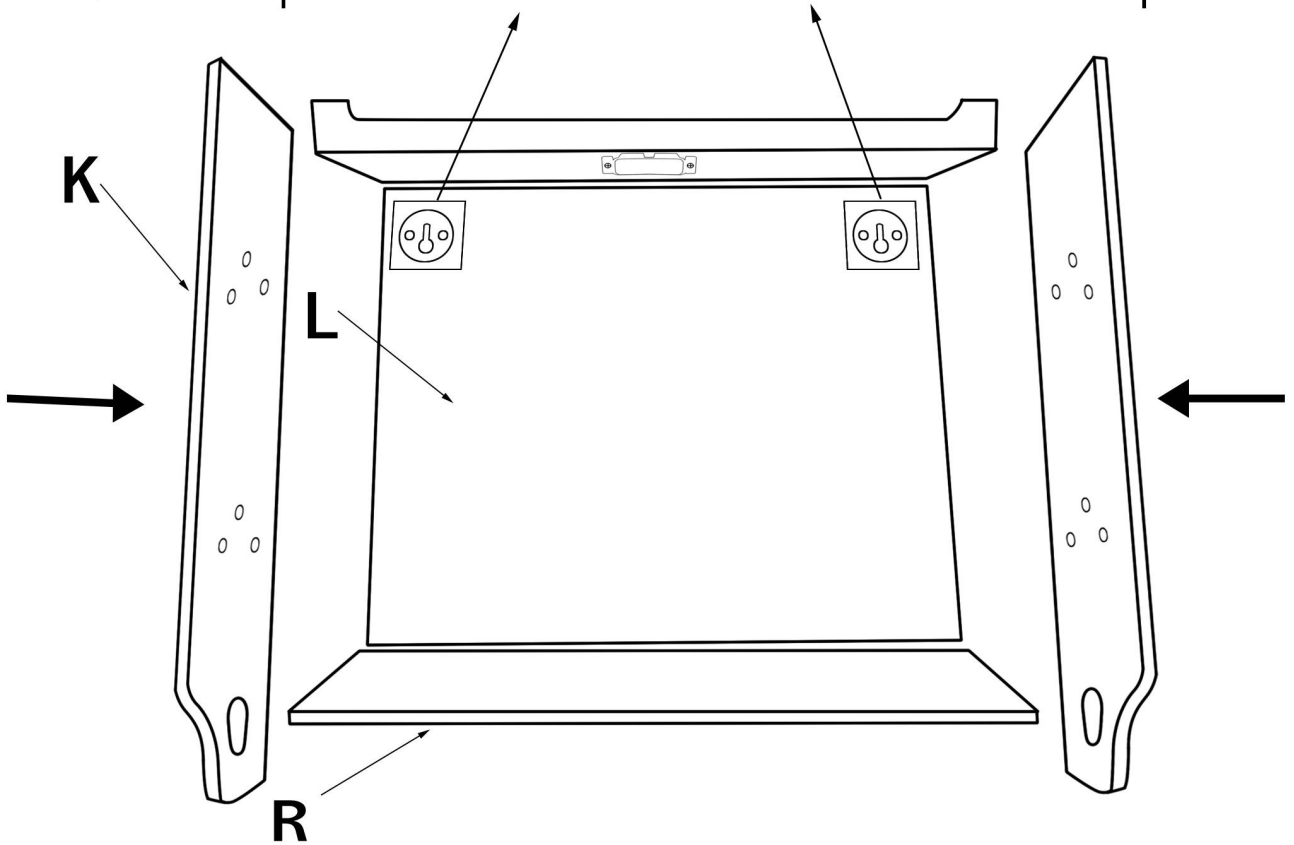


Step 2



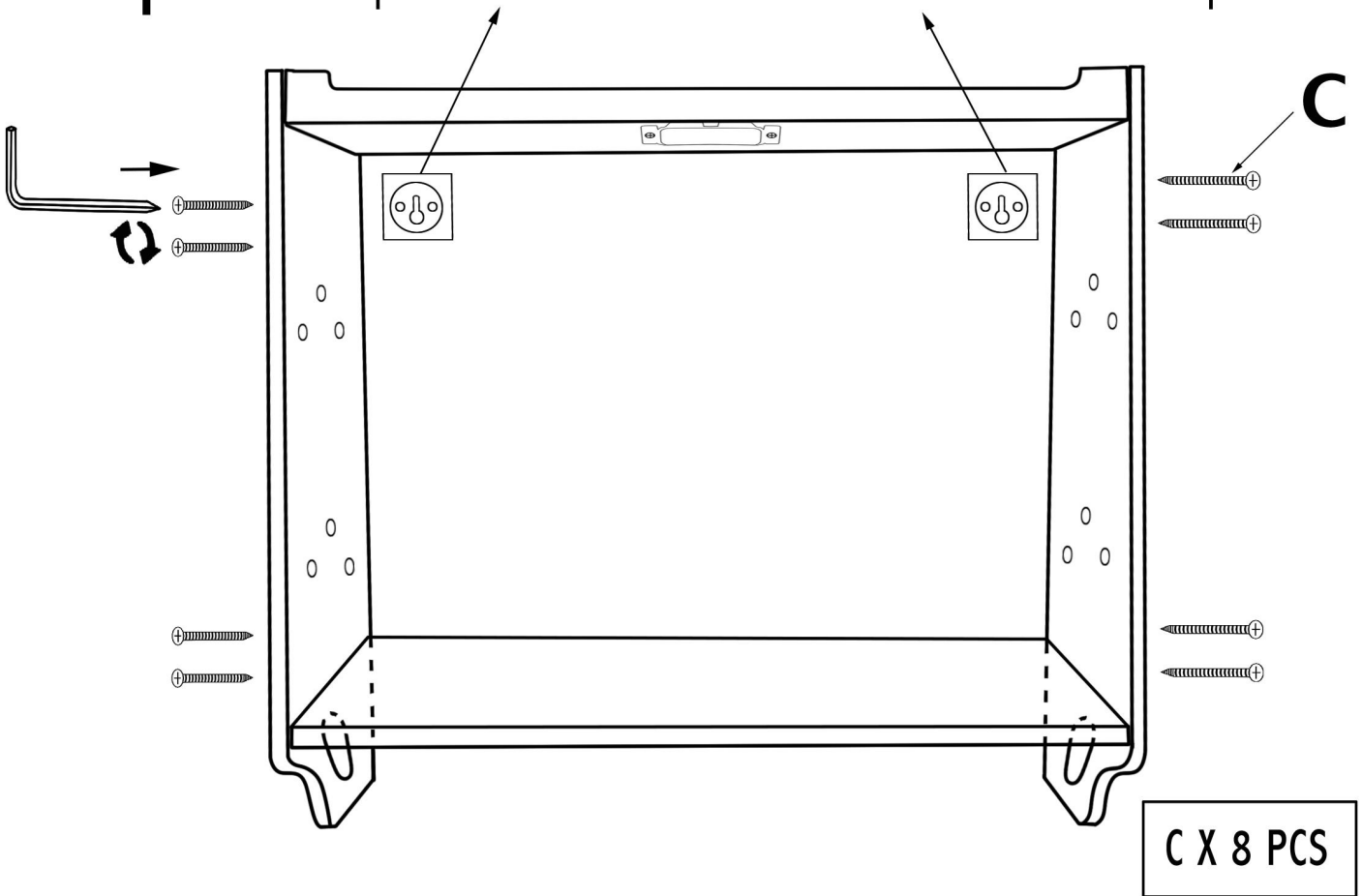
Step3

The place for the hooks should be at the back of the back panel.

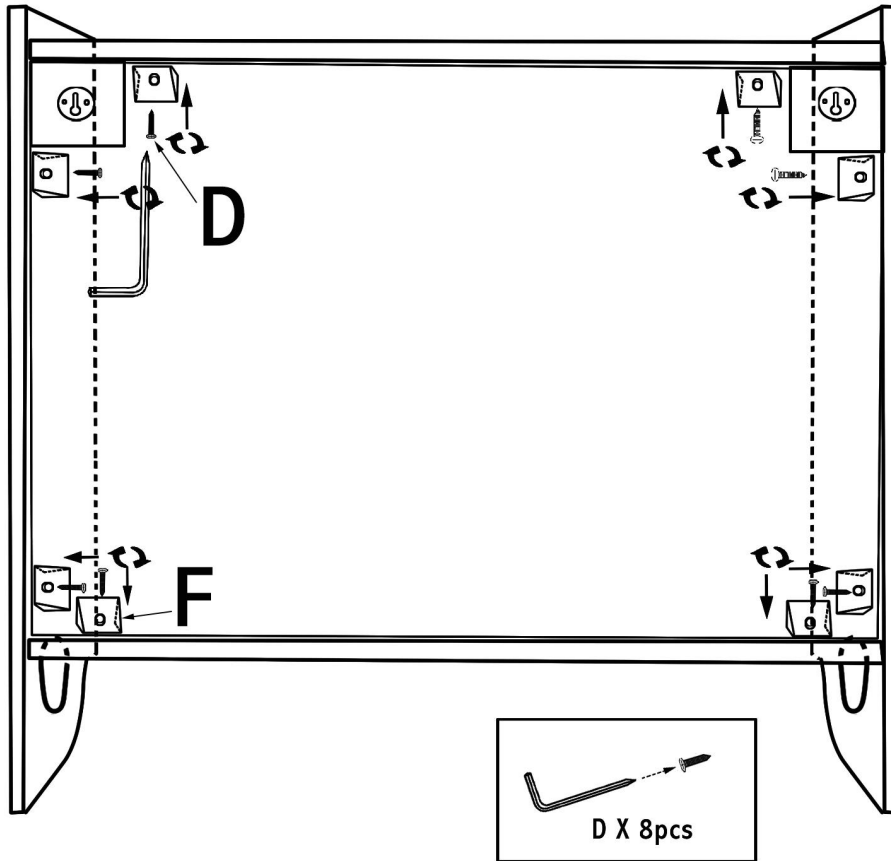


Step4

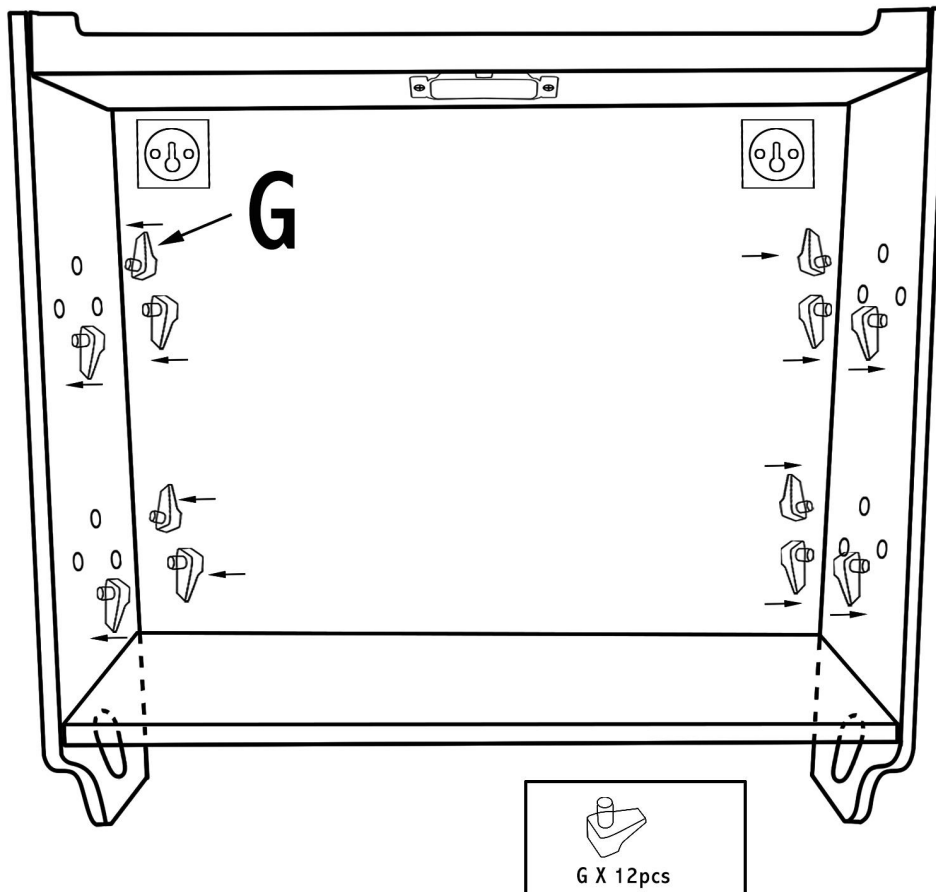
The place for the hooks should be at the back of the back panel.



Step 5

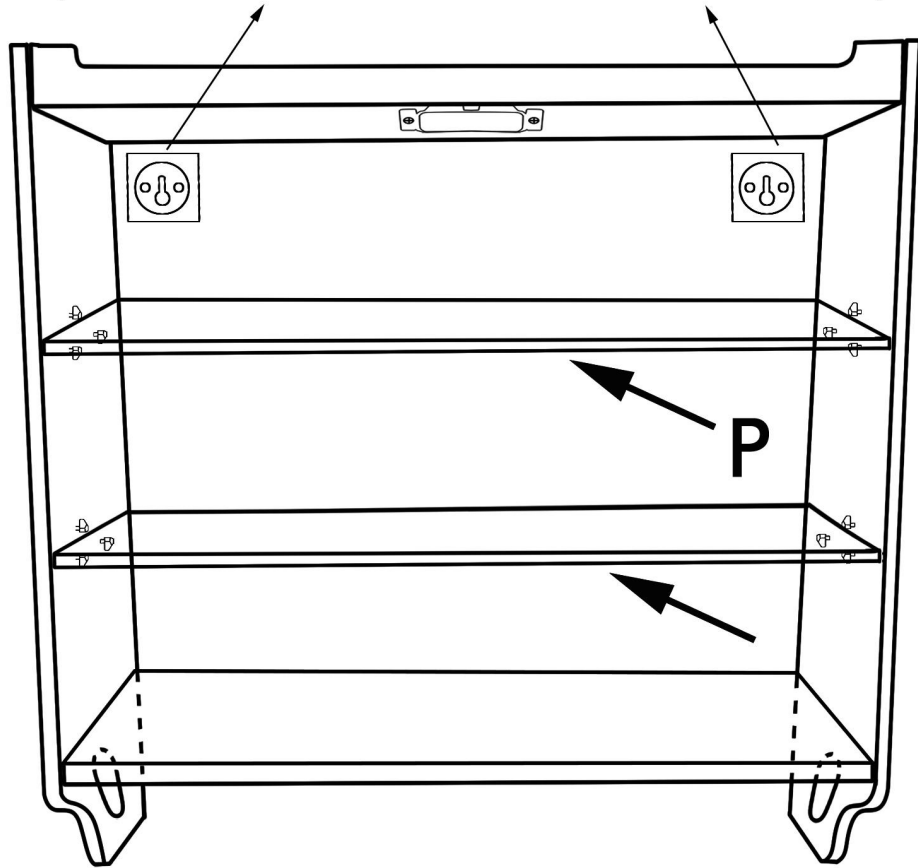


Step 6

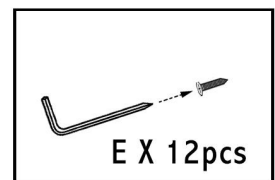
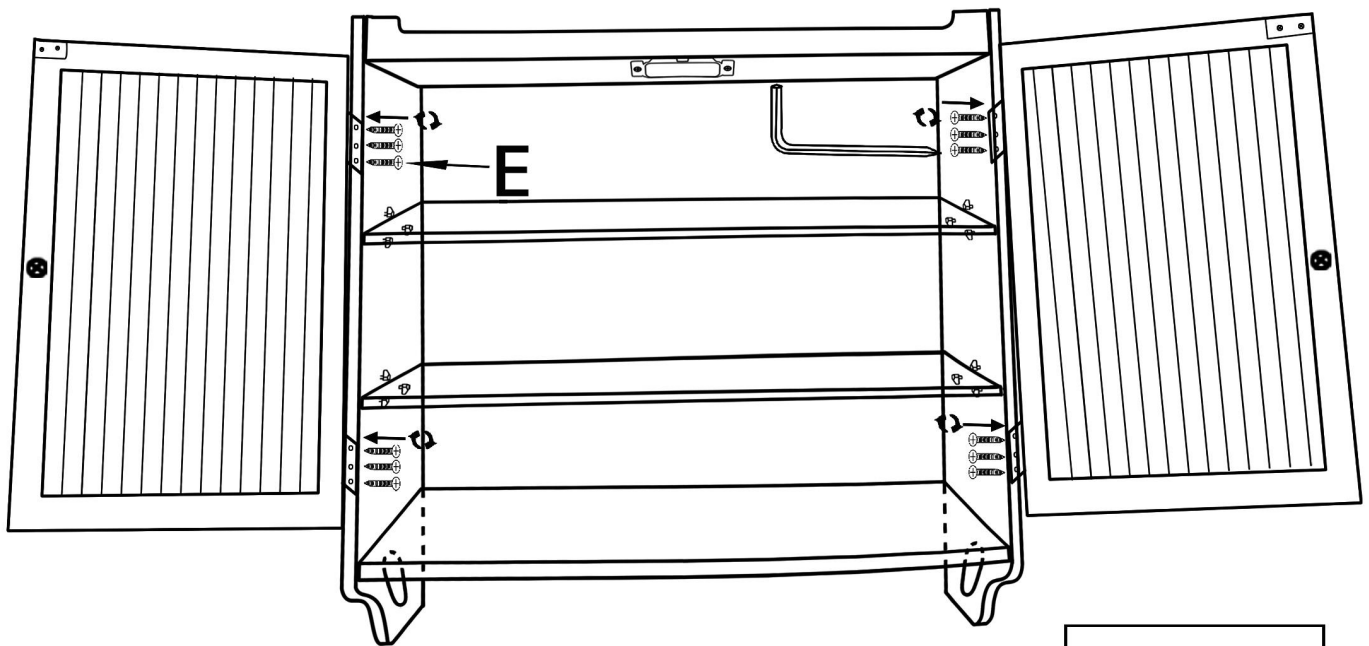


Step 7

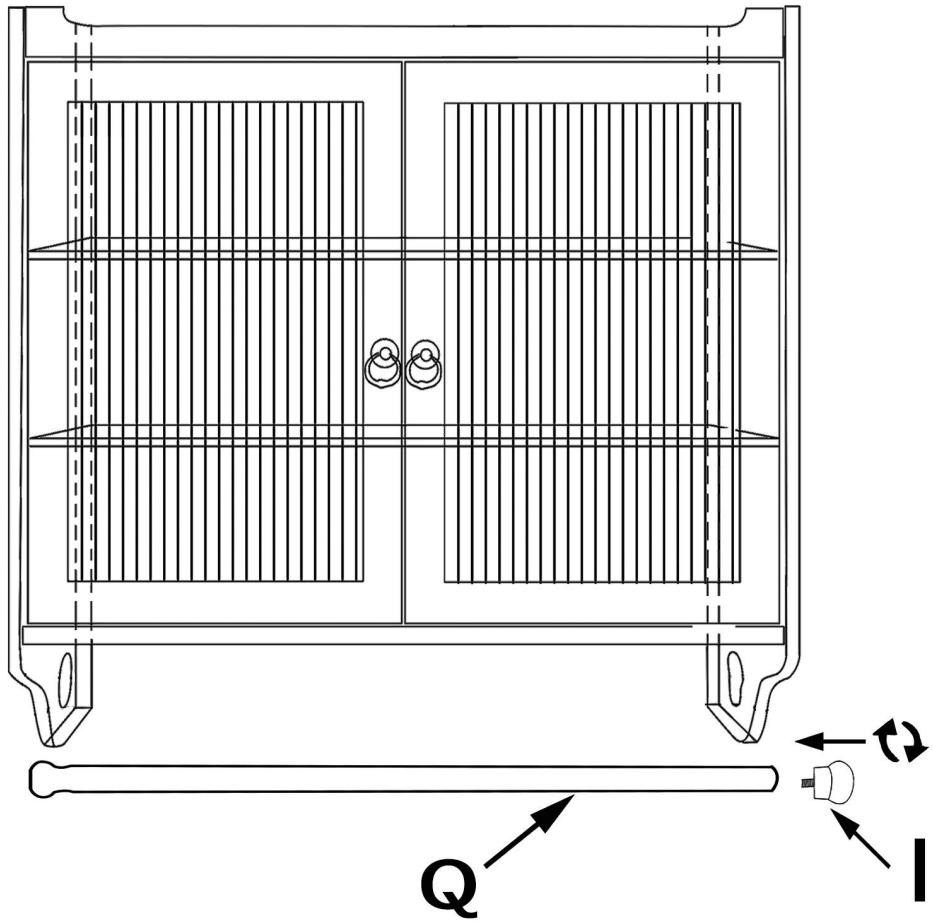
The place for the hooks should be at the back of the back panel.



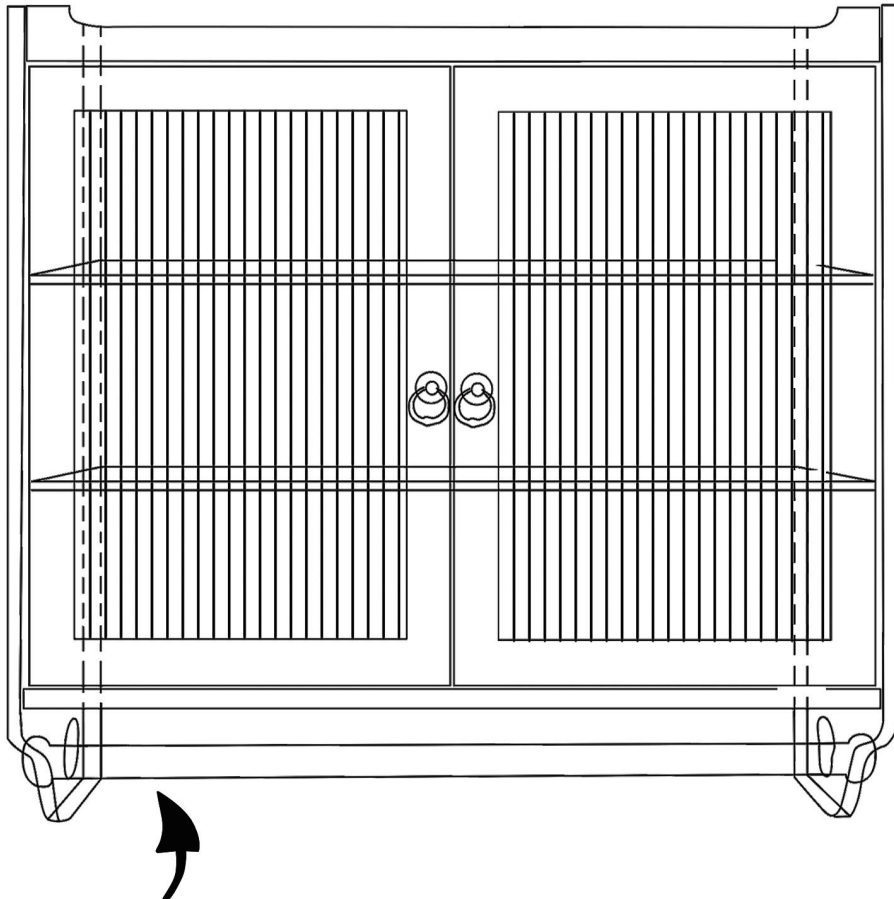
Step 8



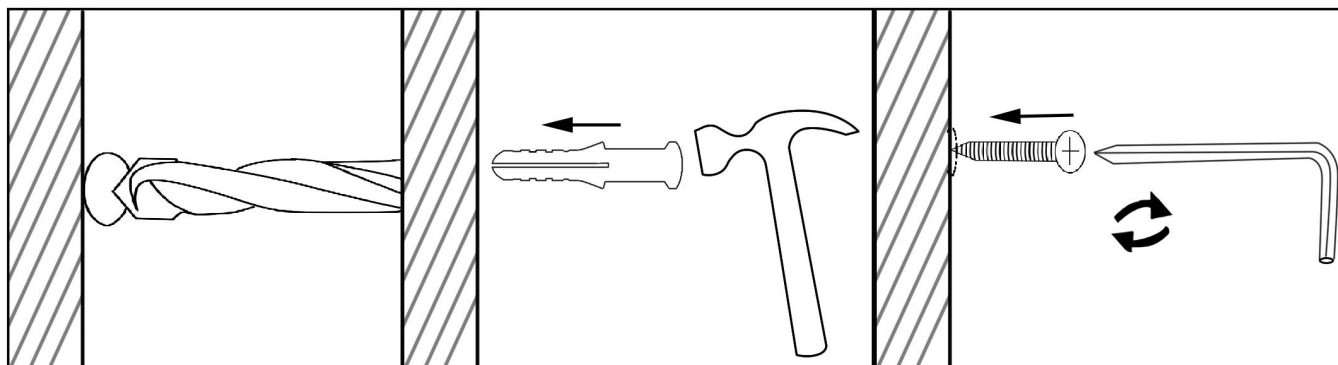
Step 9



Step 10



Step 11



Step 12

