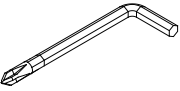
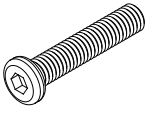
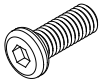
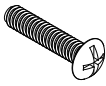
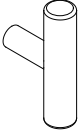
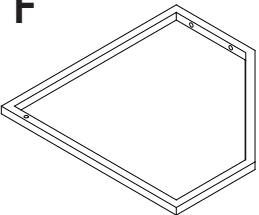
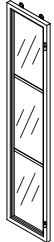
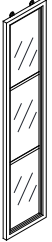
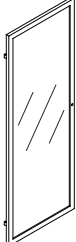
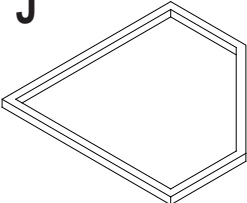
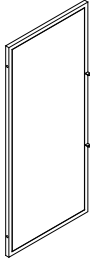
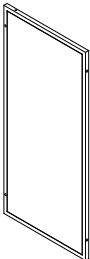
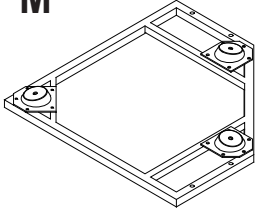



Assembly Instruction

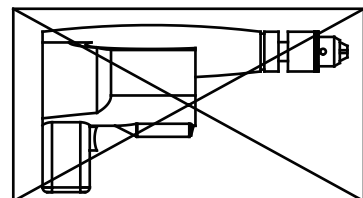
HARDWARE LIST

A 	B  M6x25mm	C  M6x10mm	D  M4x10mm	E 
1 PC	12 PCS	4 PCS	1 PC	1 PC

PART LIST

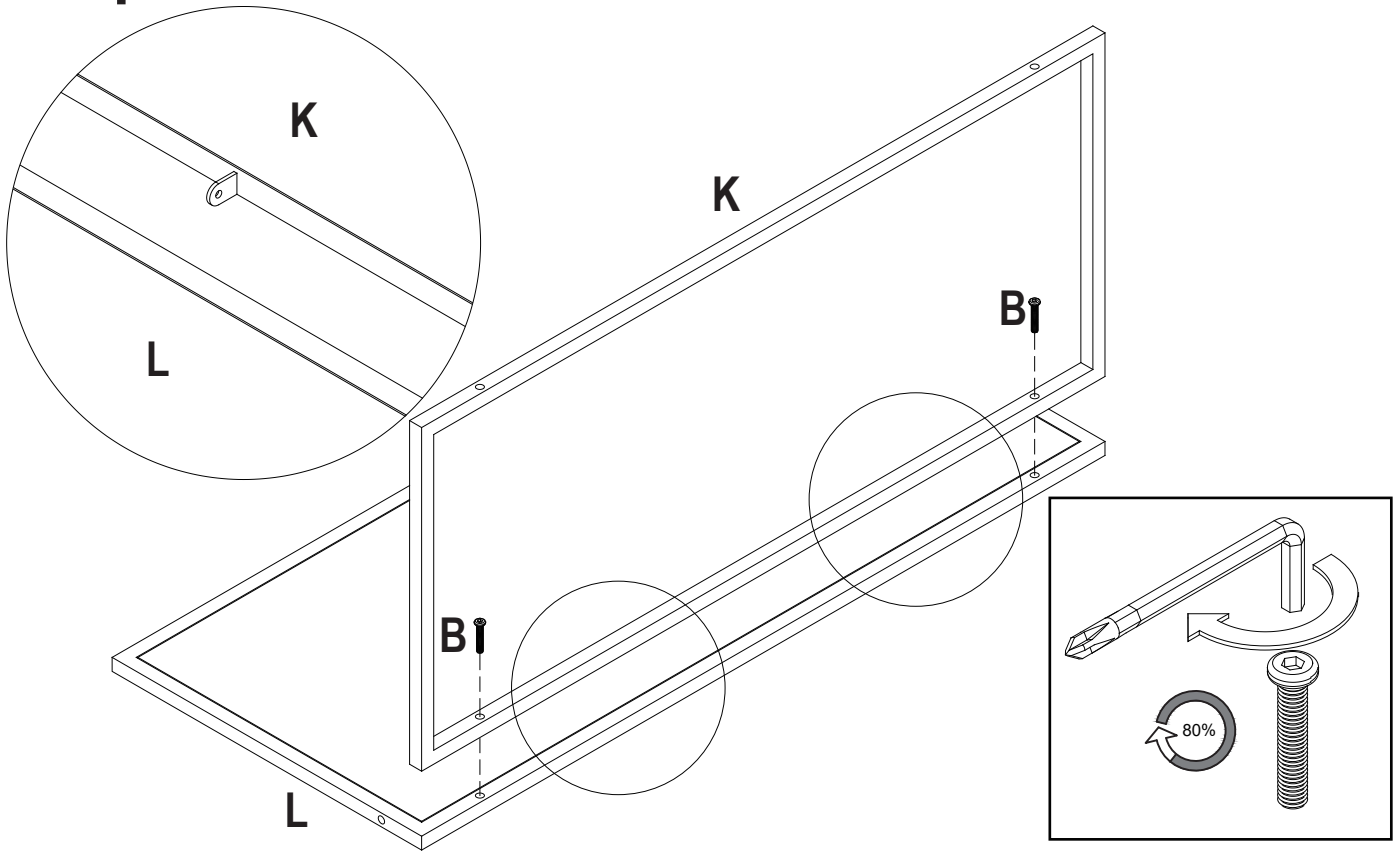
F 	G 	H 	I 	J 
1 PC	1 PC	1 PC	1 PC	2 PCS
K 	L 	M 	N 	
1 PC	1 PC	1 PC	3 PCS	

● Do not use power tools to assemble your furniture.
Power tools may strip or damage the parts.



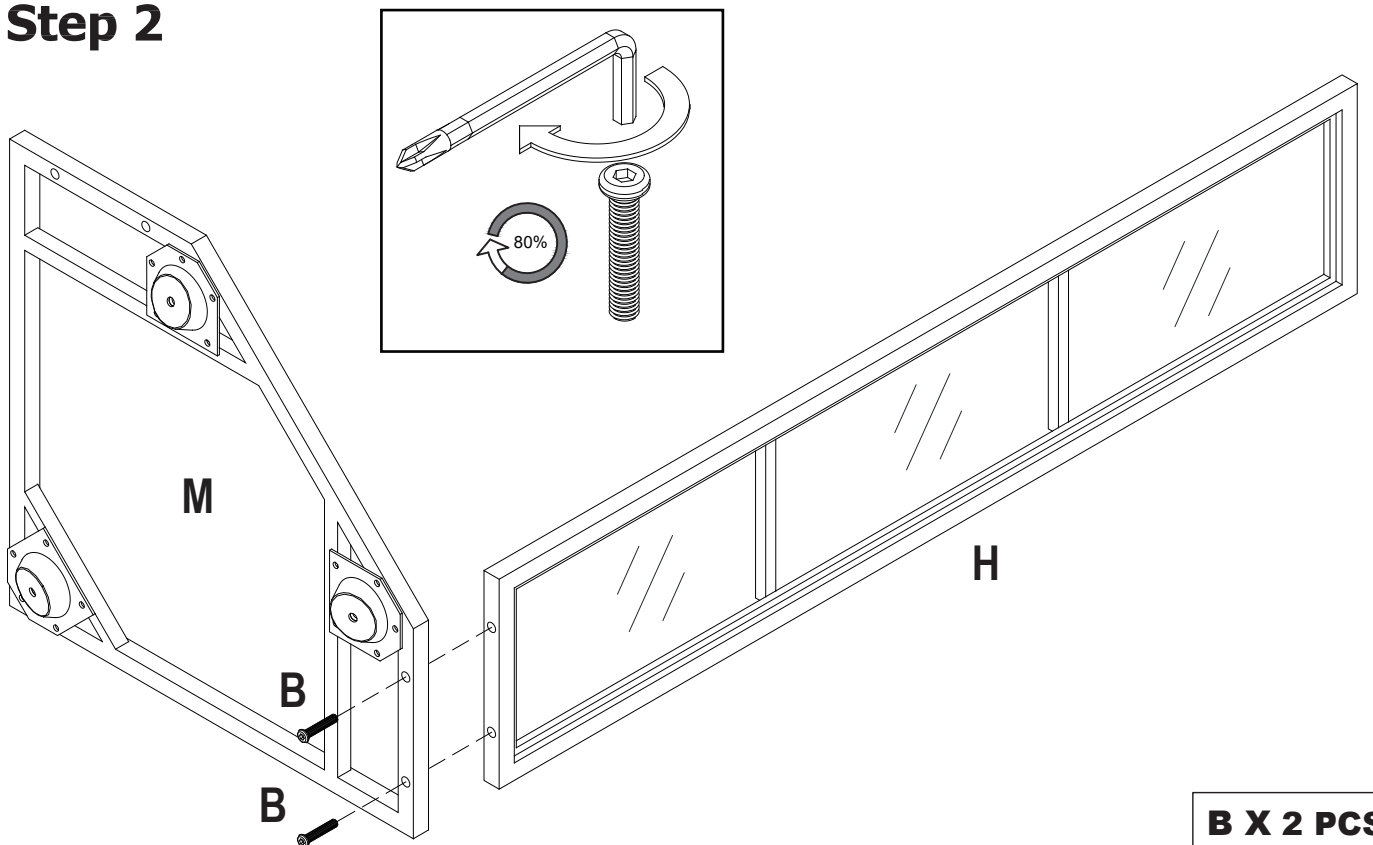
IMPORTANT NOTE: DO NOT tighten all screws and bolts until completely assembled

Step 1



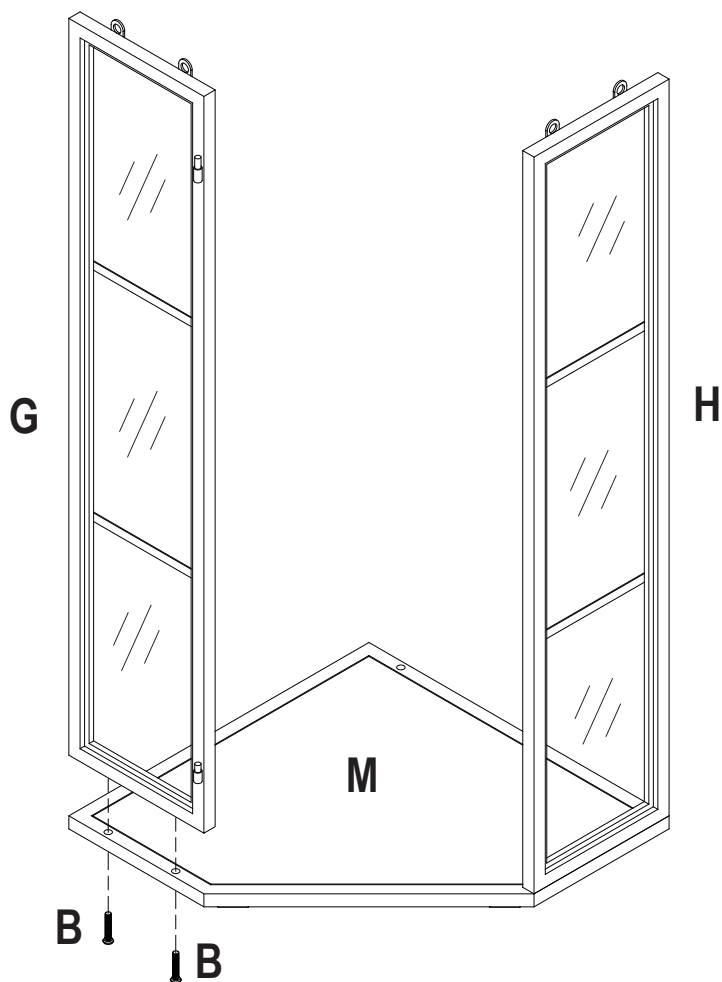
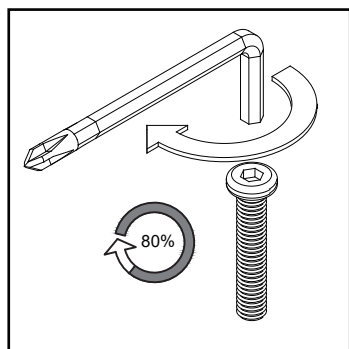
B X 2 PCS

Step 2



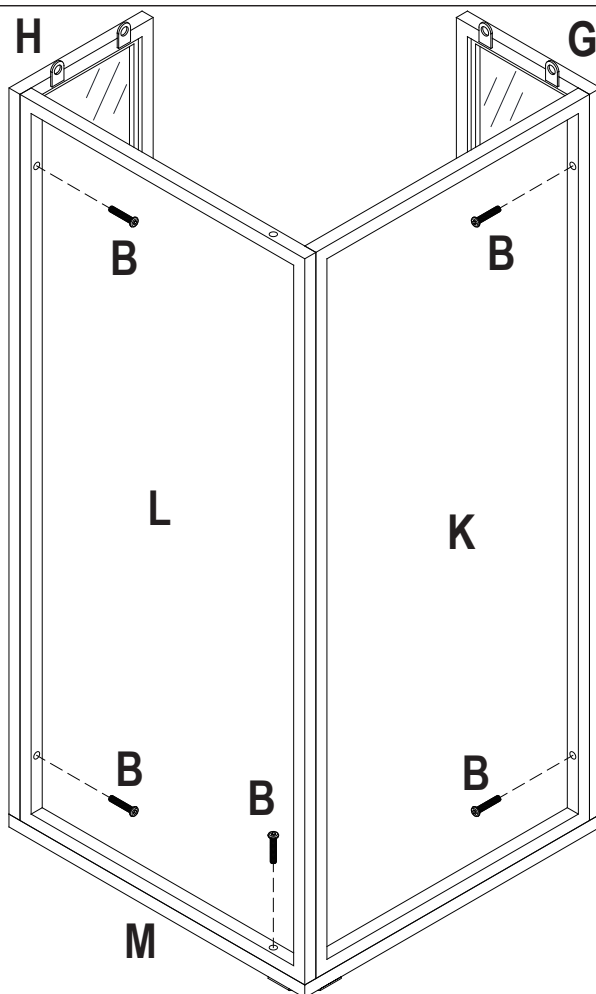
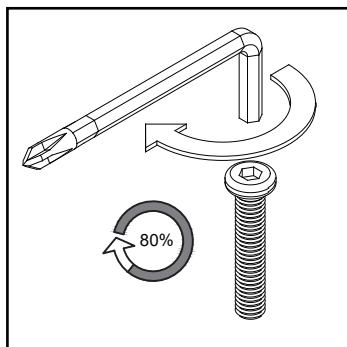
B X 2 PCS

Step 3



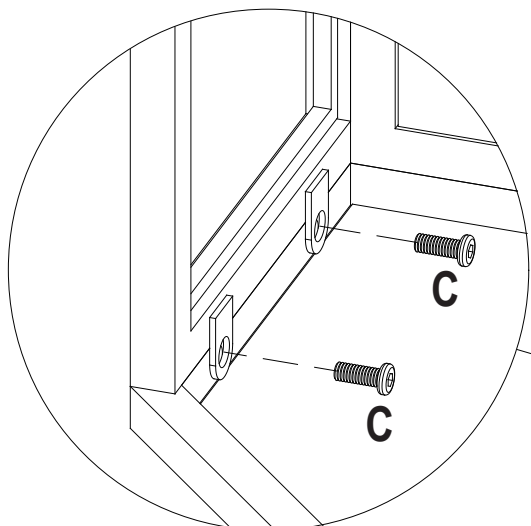
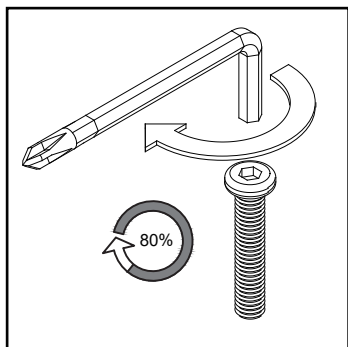
B X 2 PCS

Step 4



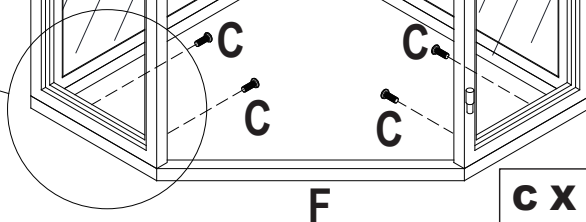
B X 5 PCS

Step 5



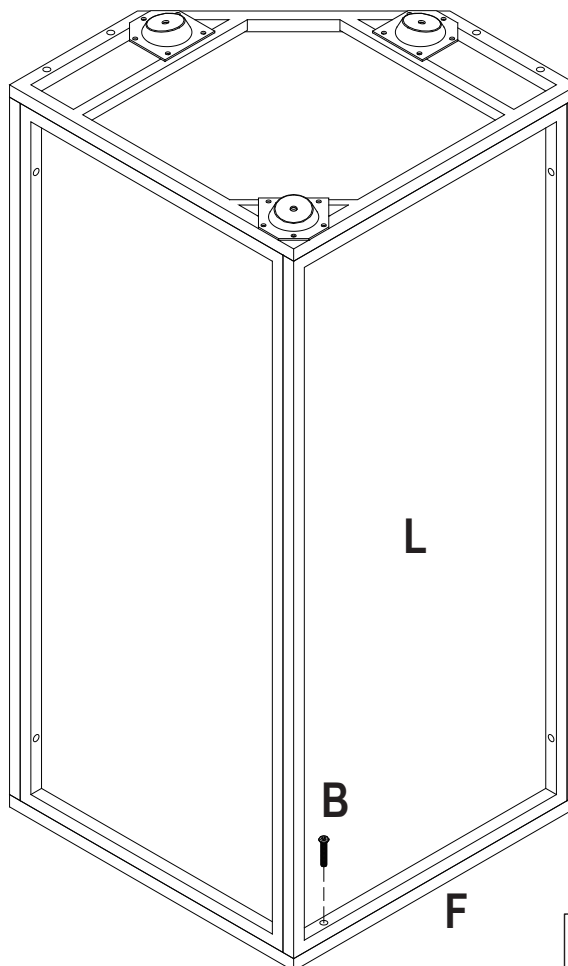
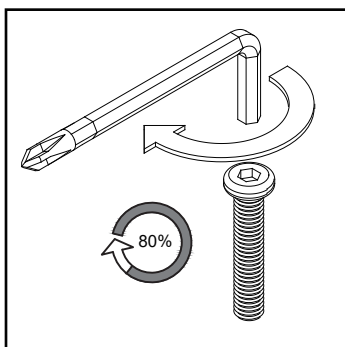
H

G



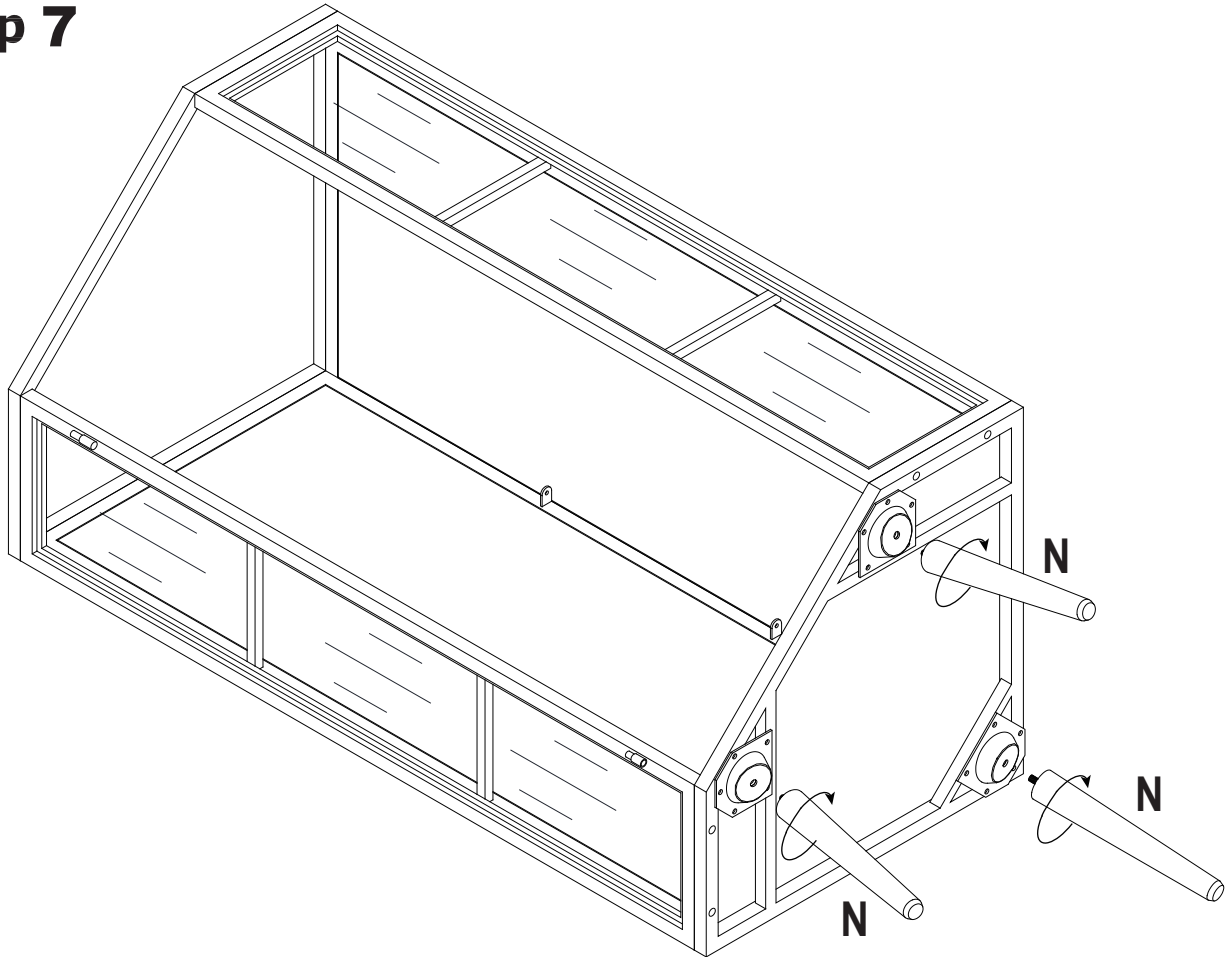
C X 4 PCS

Step 6

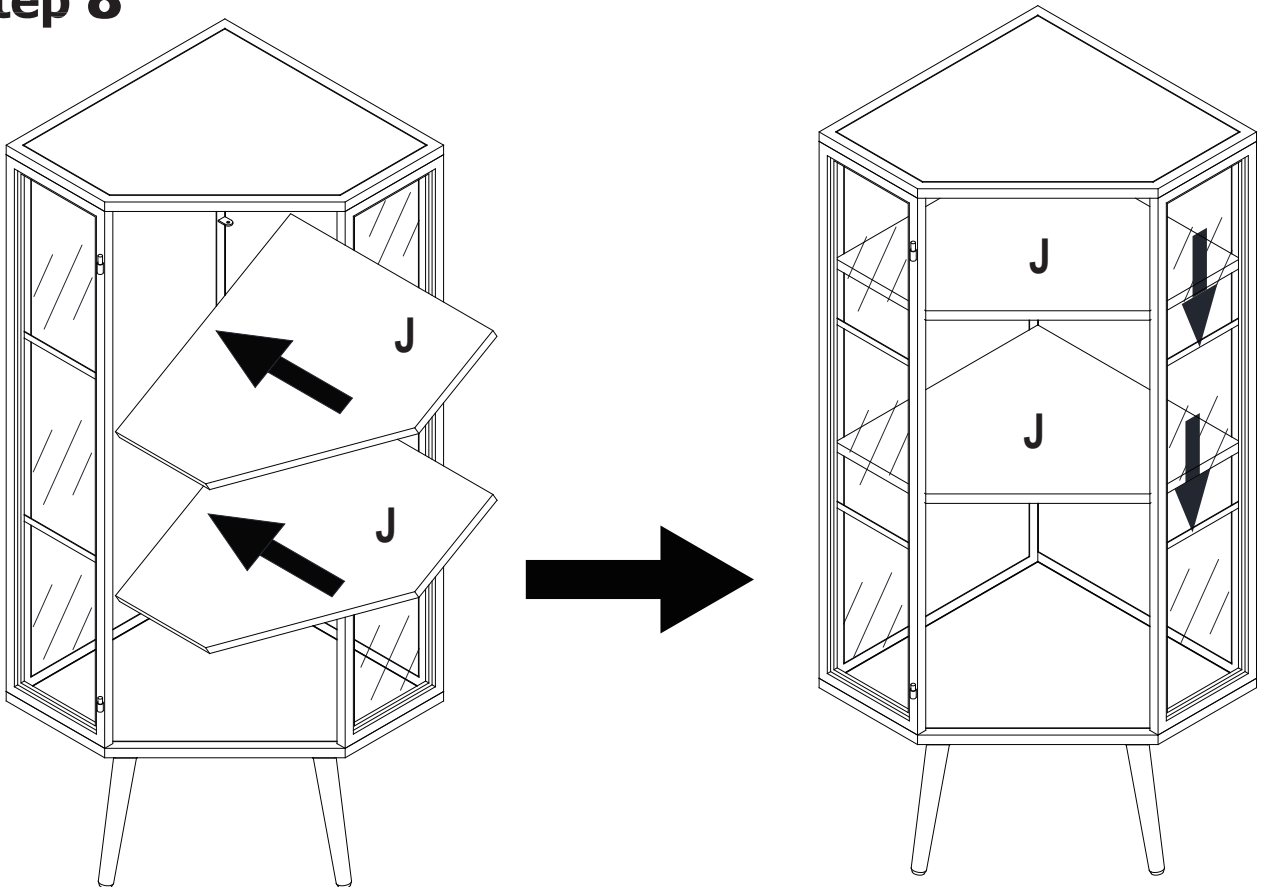


B X 1 PC

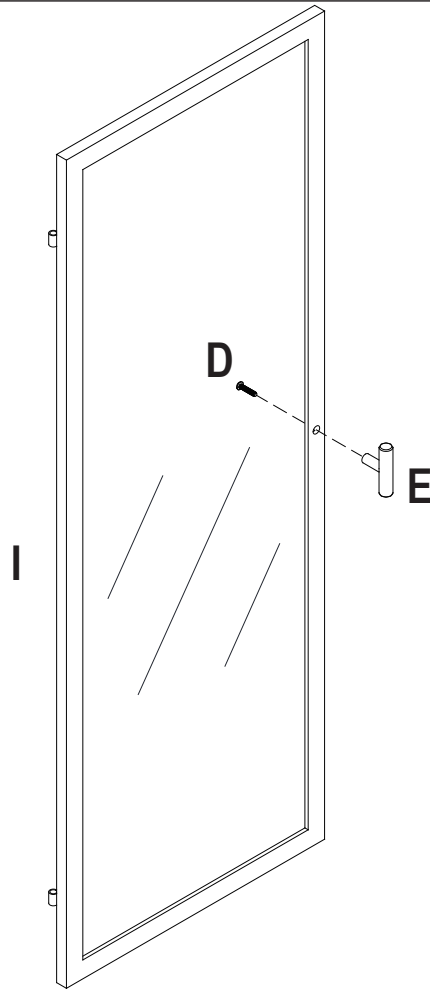
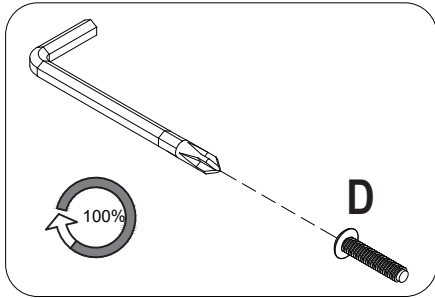
Step 7



Step 8



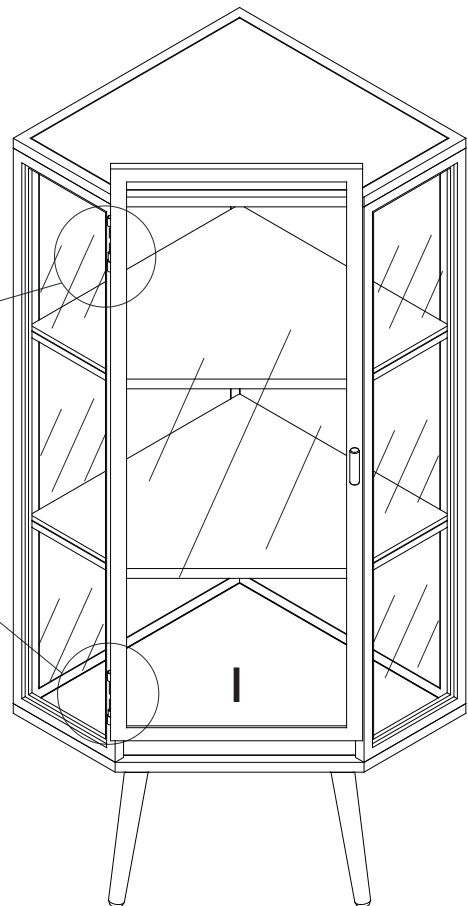
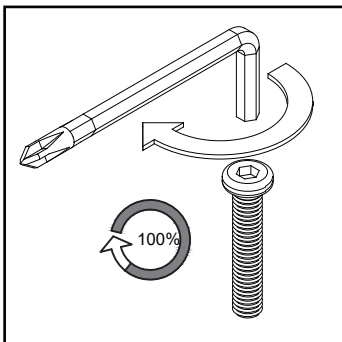
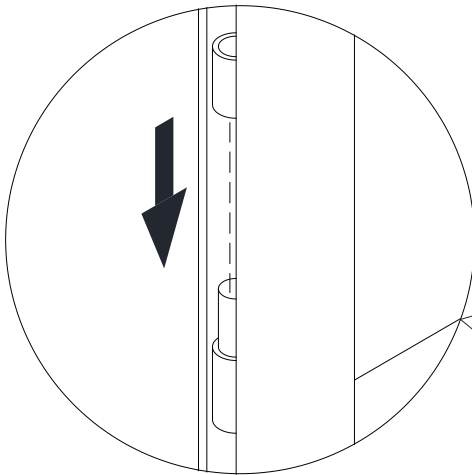
Step 9



D X 1 PC

E X 1 PC

Step 10



NOTE: AFTER ASSEMBLY, PLEASE MAKE SURE THAT ALL SCREWS ARE 100% LOCKED