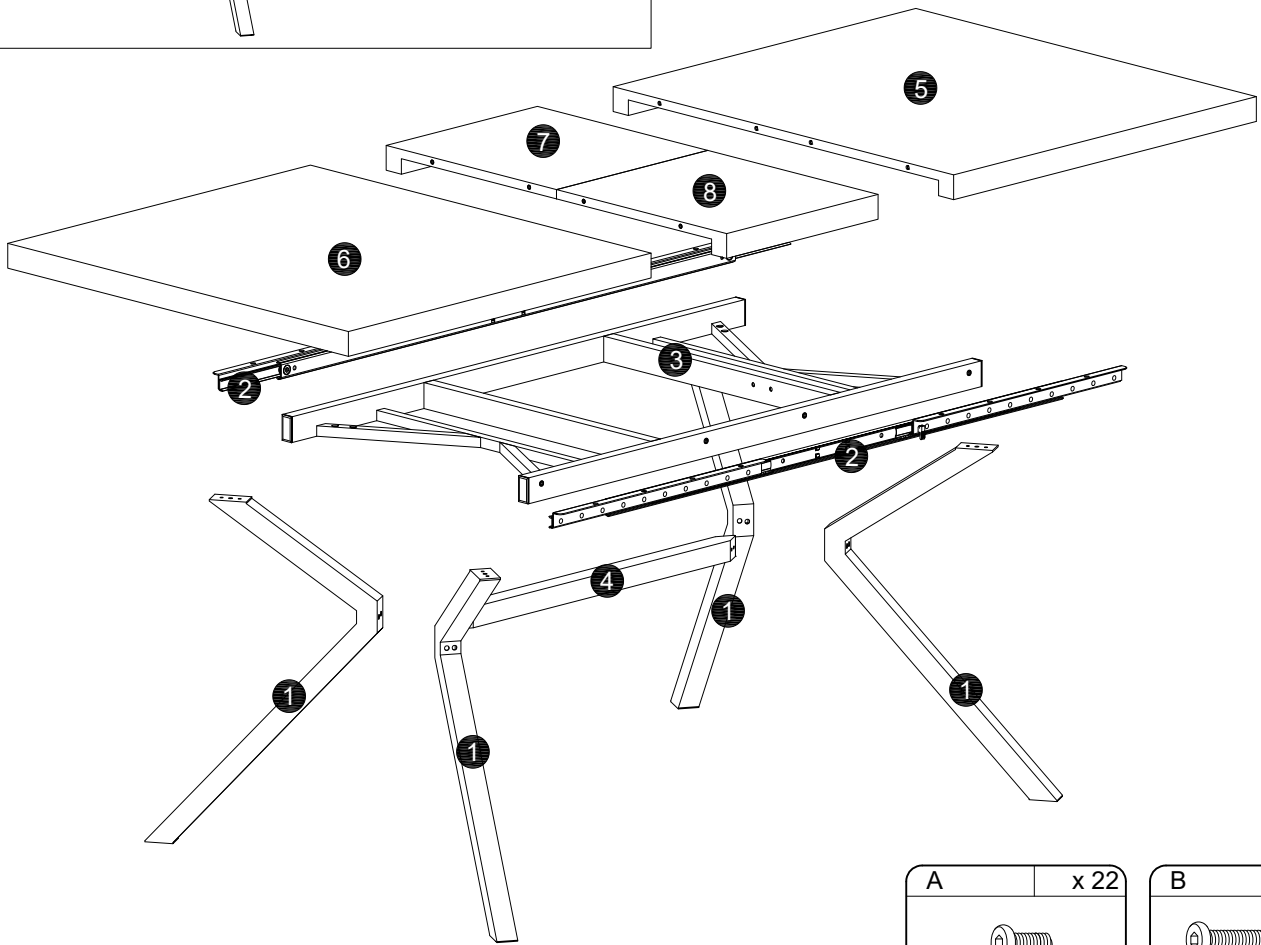
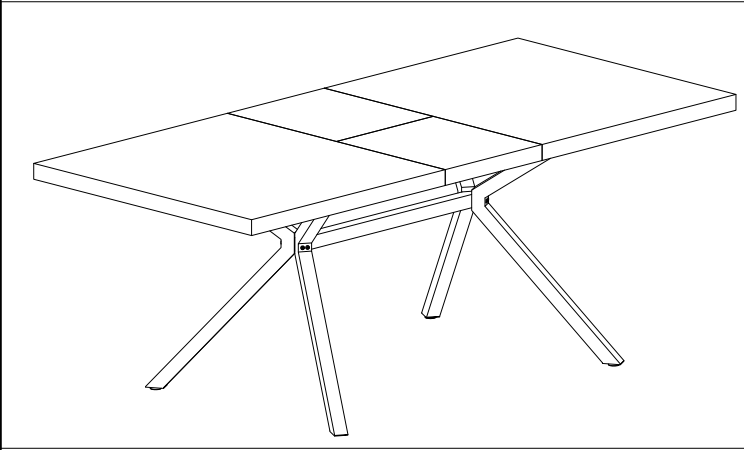
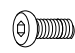





# ASSEMBLY INSTRUCTION





A	x 22
	
M6x12mm	

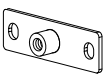
B	x 8
	
M6x50mm	

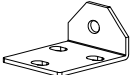
C	x 8
	
M6x30mm	

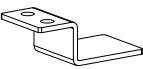
D	x 16
	
Ø3x14mm	

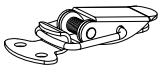
E	x 2
	
M8x25mm	


F	x 2
	
M8	


G	x 2
	

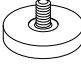
H	x 2
	


J	2
	

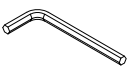
K	x 4
	


L	x 2
	


M	x 12
	
Ø13mm	


N	x 4
	
Ø30mm	


P	x 1
	
14mm	

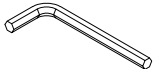
Q	x 2
	
4mm	

R	x 16
	
M6x12mm	

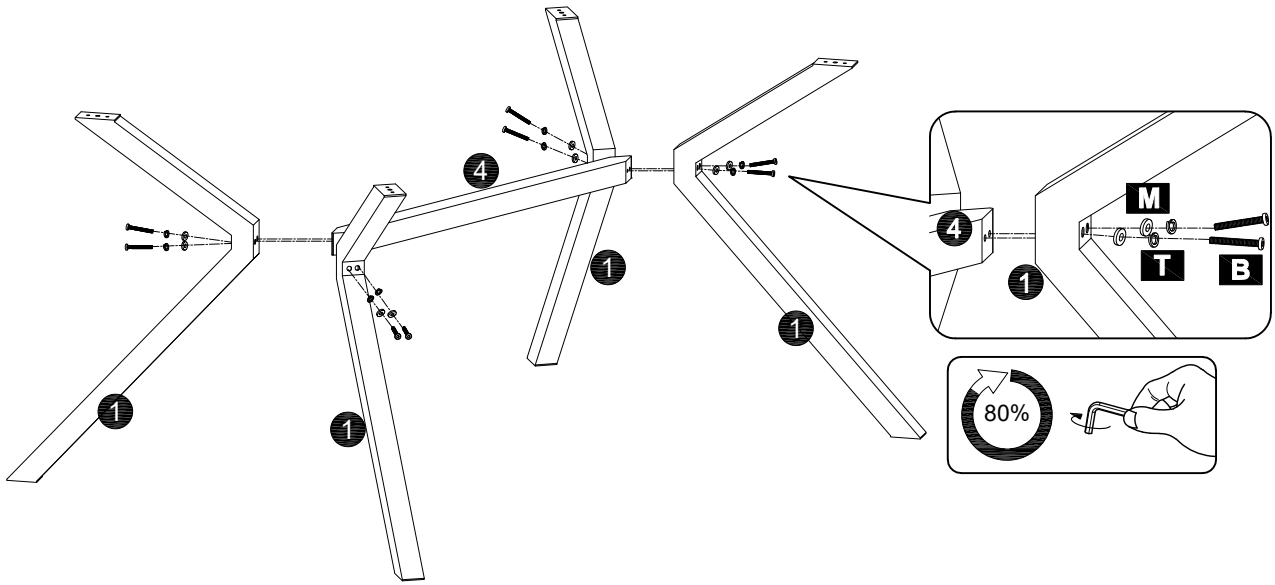
S	x 6
	
Ø30mm	


T	x 8
	
M6	


U	x 8
	
Ø4x12mm	


V	x 1
	
5mm	

# 1.

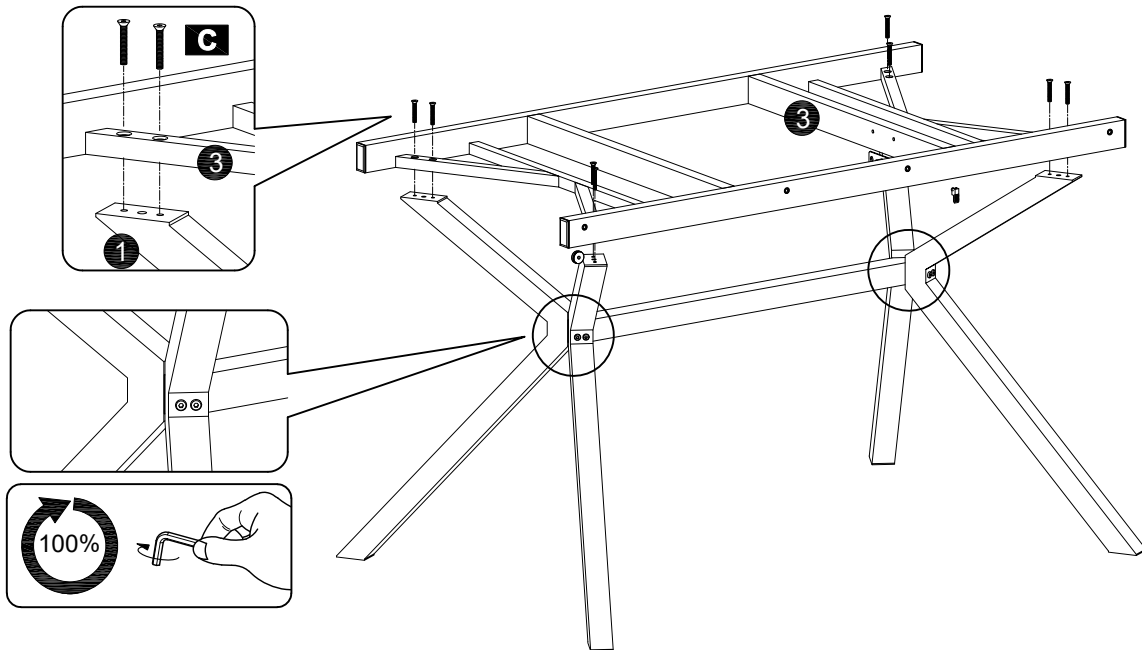



B	x 8
	
M6x50mm	

M	x 8
	
Ø13mm	

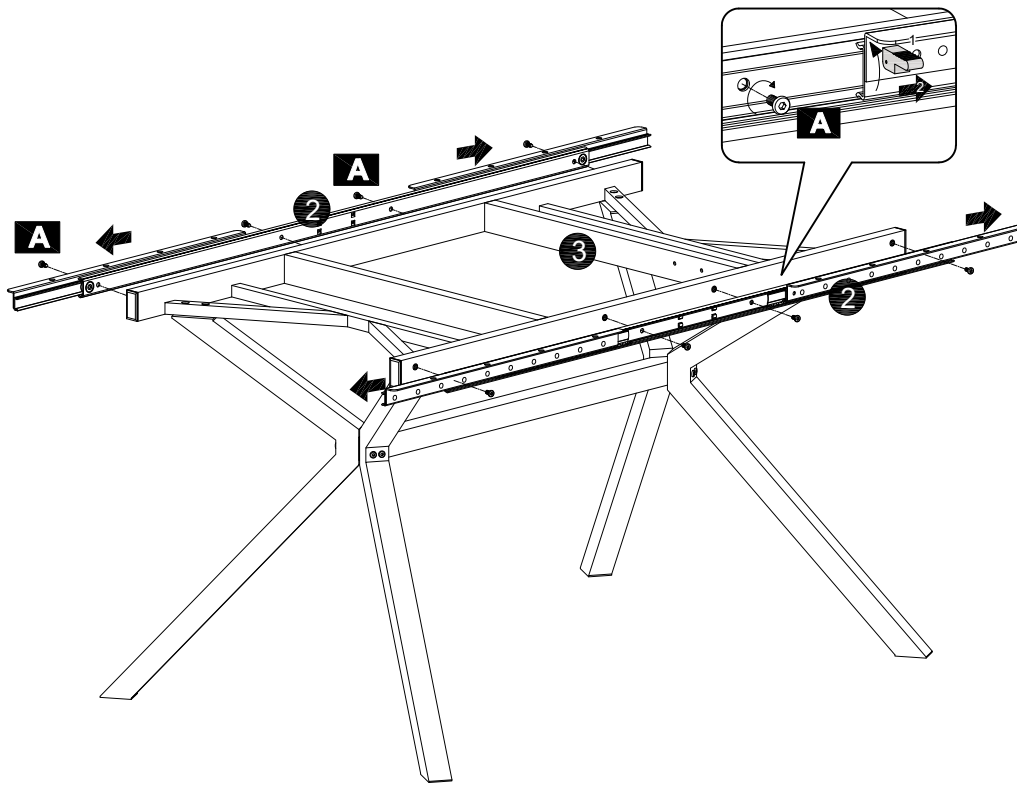
T	x 8
	
M6	


# 3.



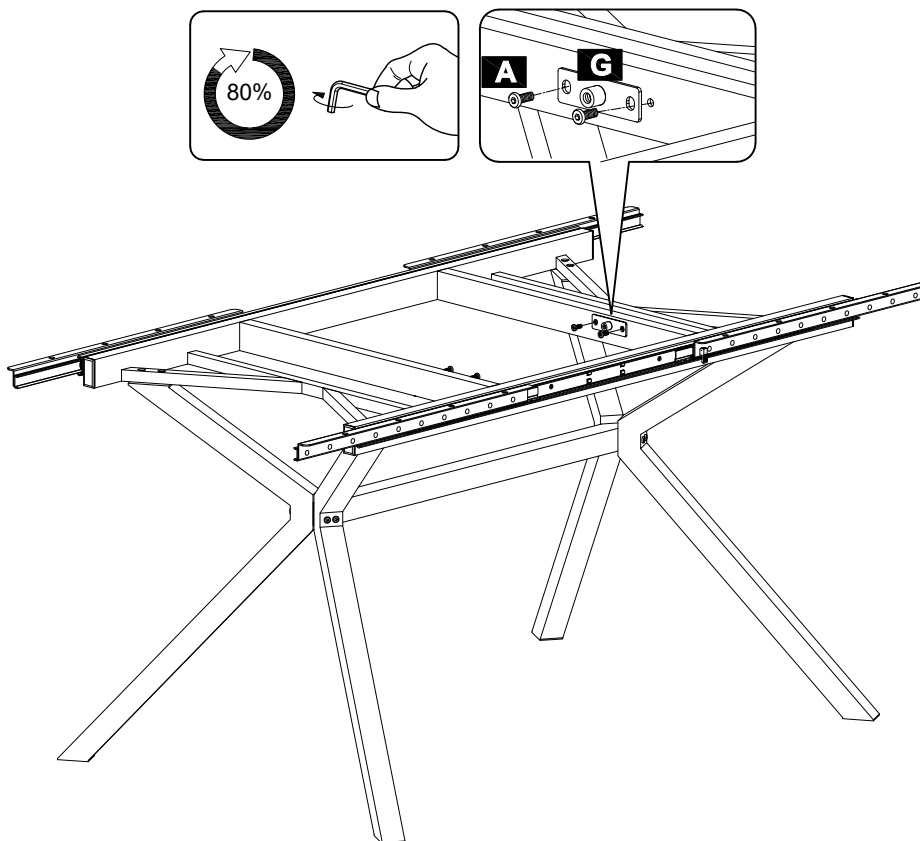
C	x 8
	
M6x30mm	


# 4.

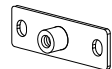


A	x 8
	
M6x12mm	

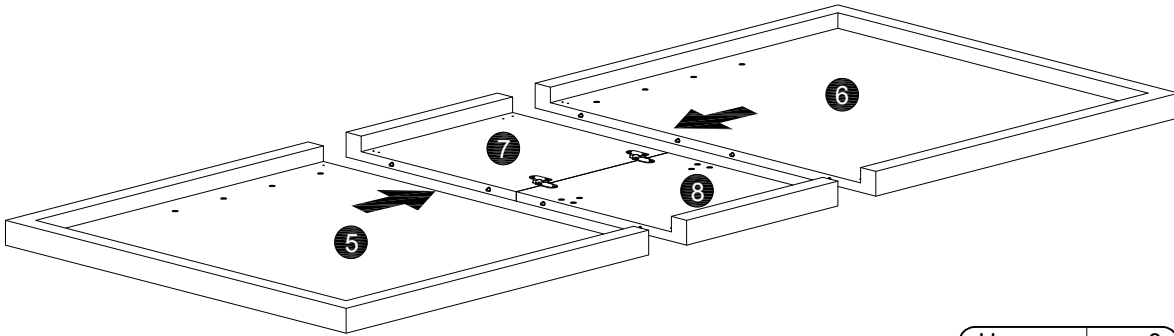
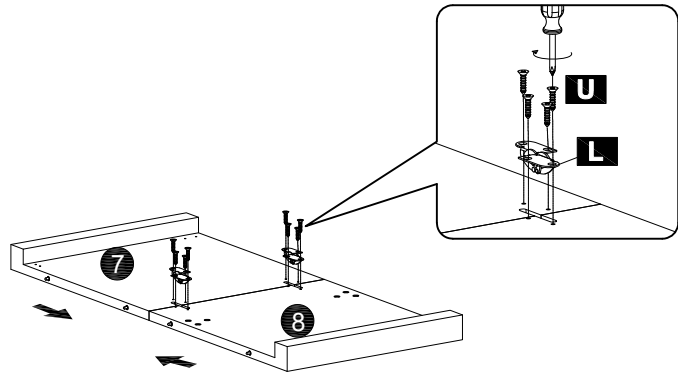
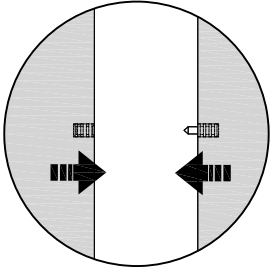
# 5.





A	x 4
	
M6x12mm	

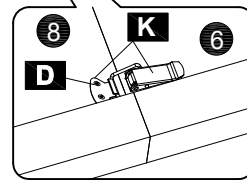
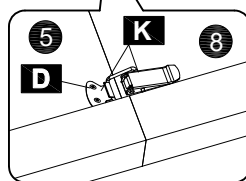
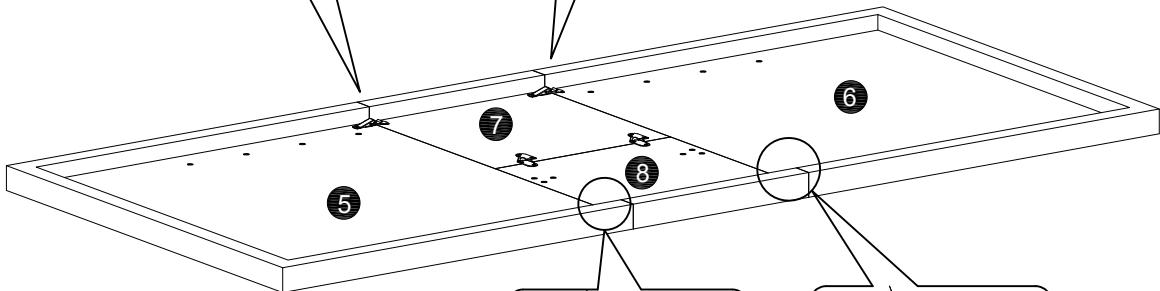
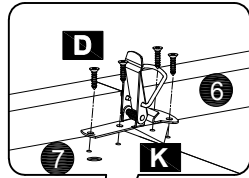
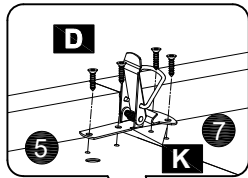
G	x 2
	


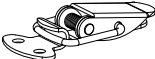
# 7.



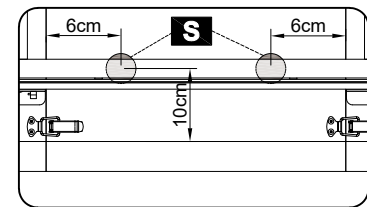
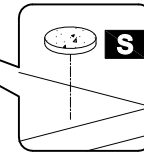
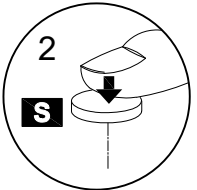
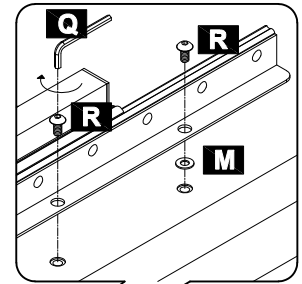
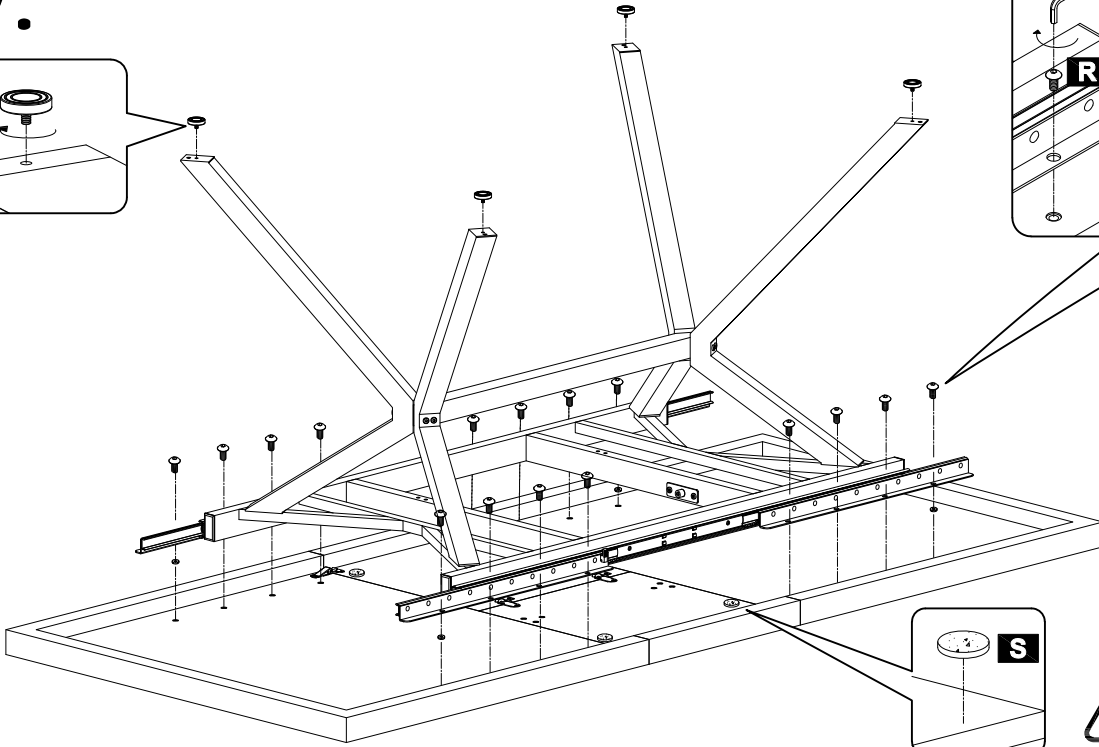
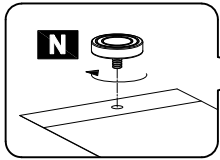
U	x 8
 Ø4x12mm	
L	x 2
	

# 8.



D	x 16
 Ø3x14mm	
K	x 4
	

# 9.



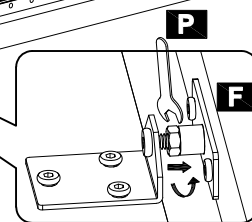
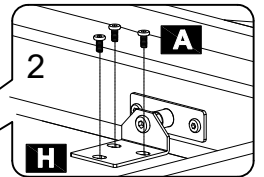
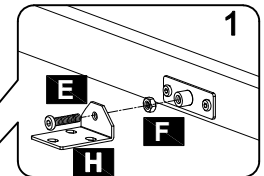
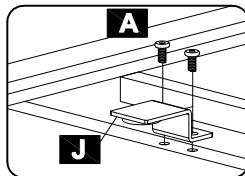
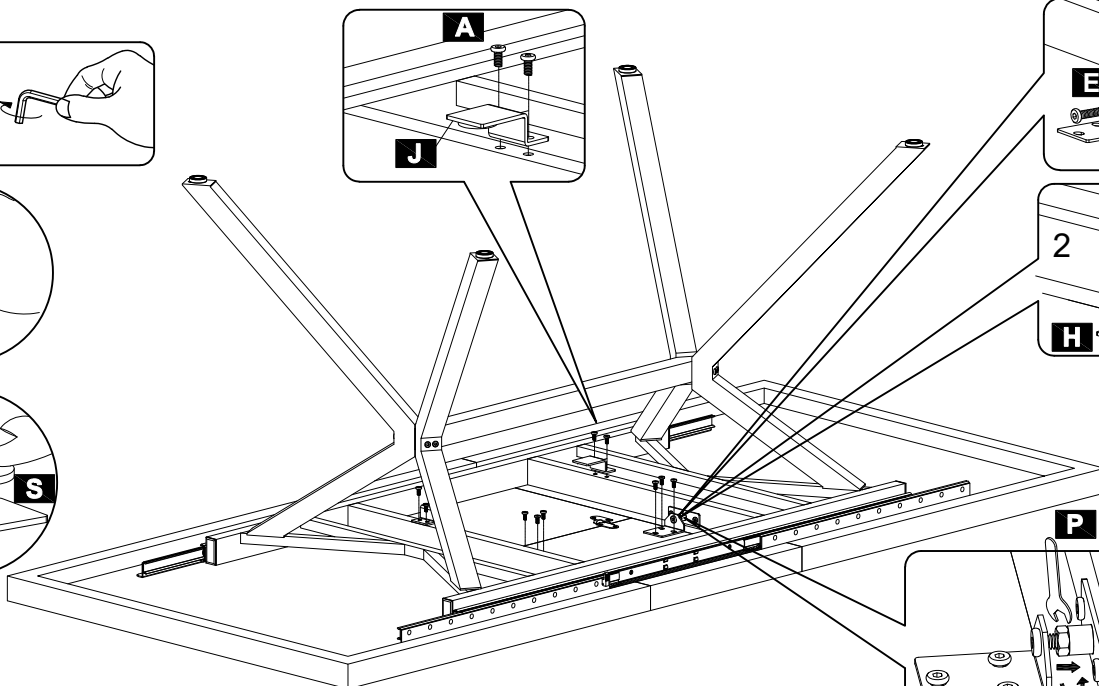
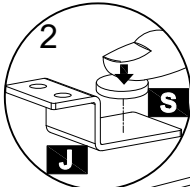
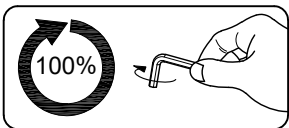
R	x 16
M6x12mm	

M	x 4
Ø13mm	

N	x 4
Ø30mm	

S	x 4
Ø30mm	

# 10.



A	x 10
M6x12mm	

E	x 2
M8x25mm	

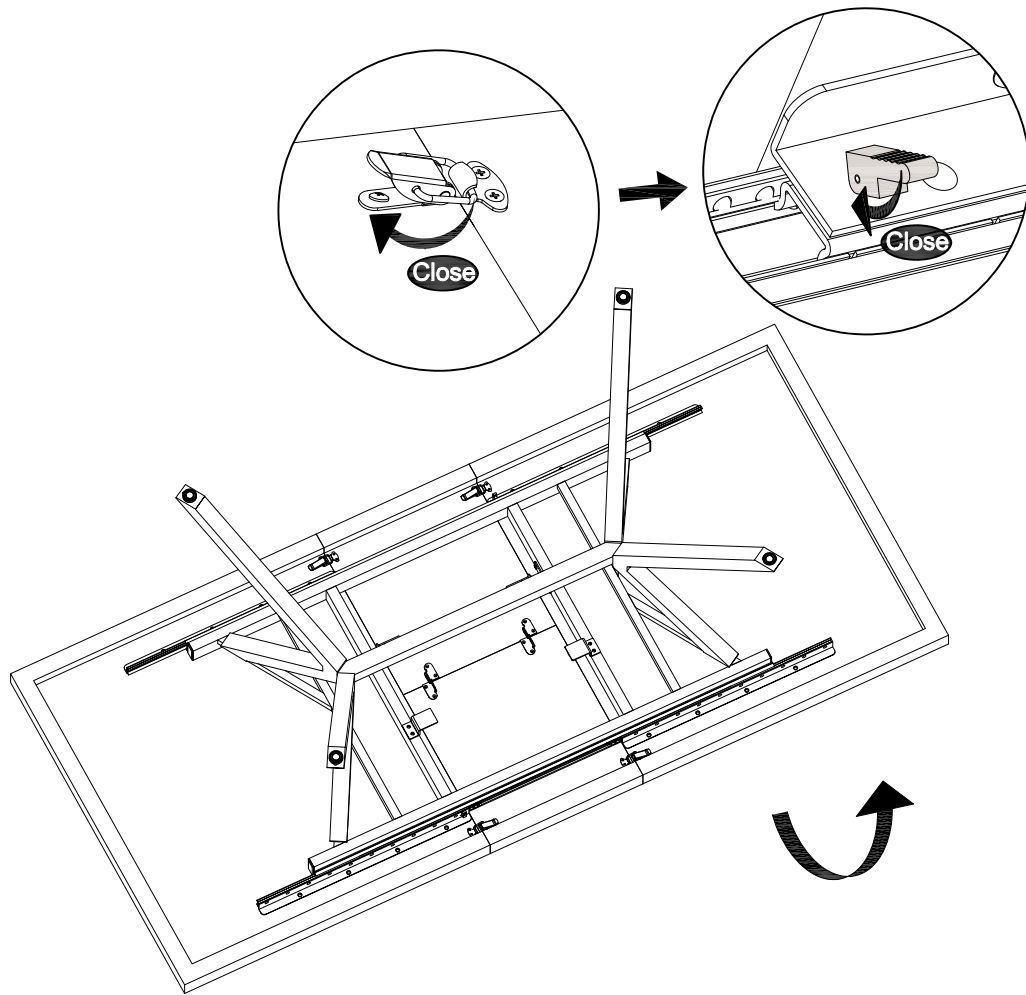
F	x 2
M8	

H	x 2

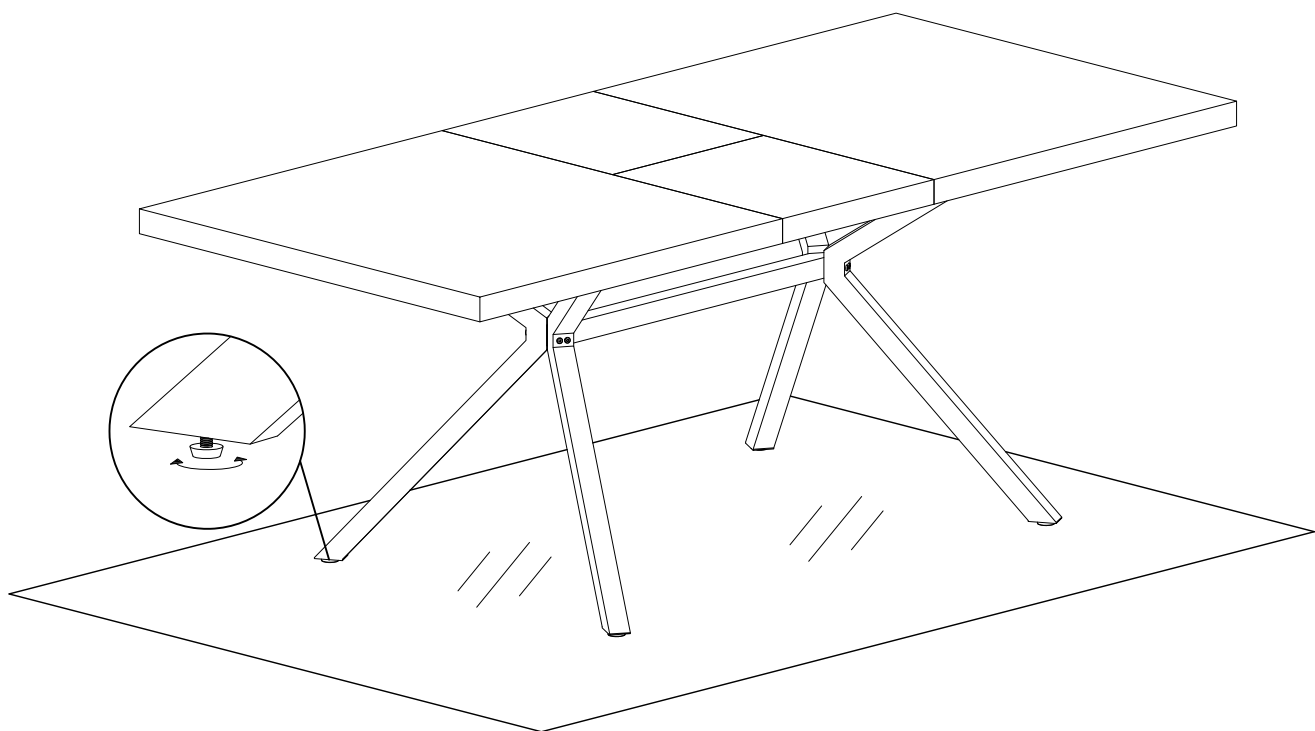
J	x 2

S	x 2
Ø30mm	

11.



12.



# 13.

