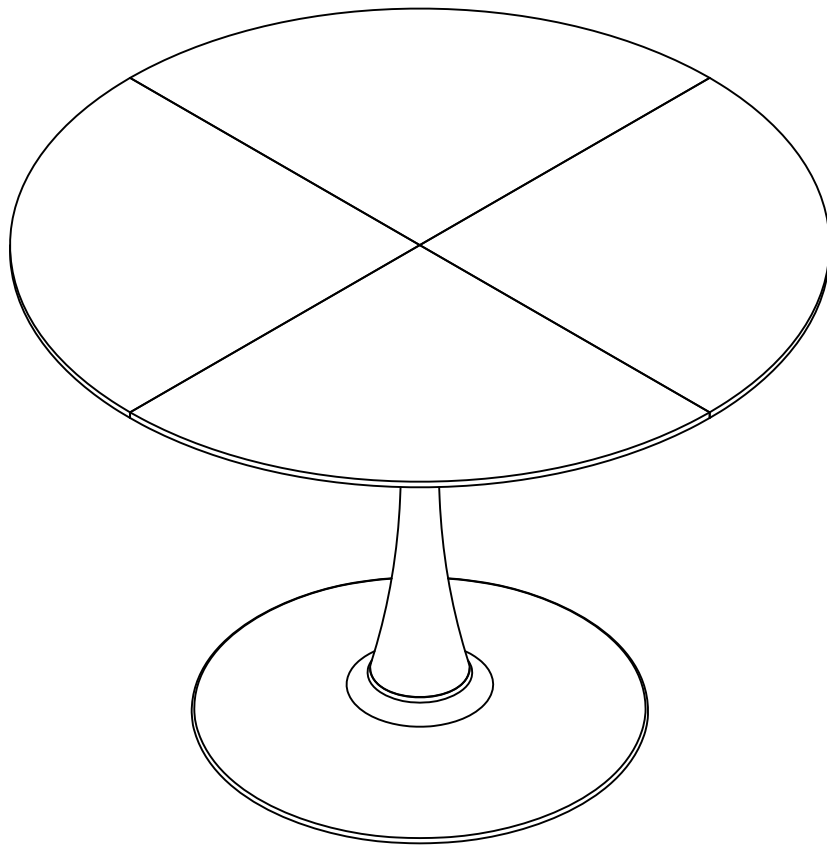
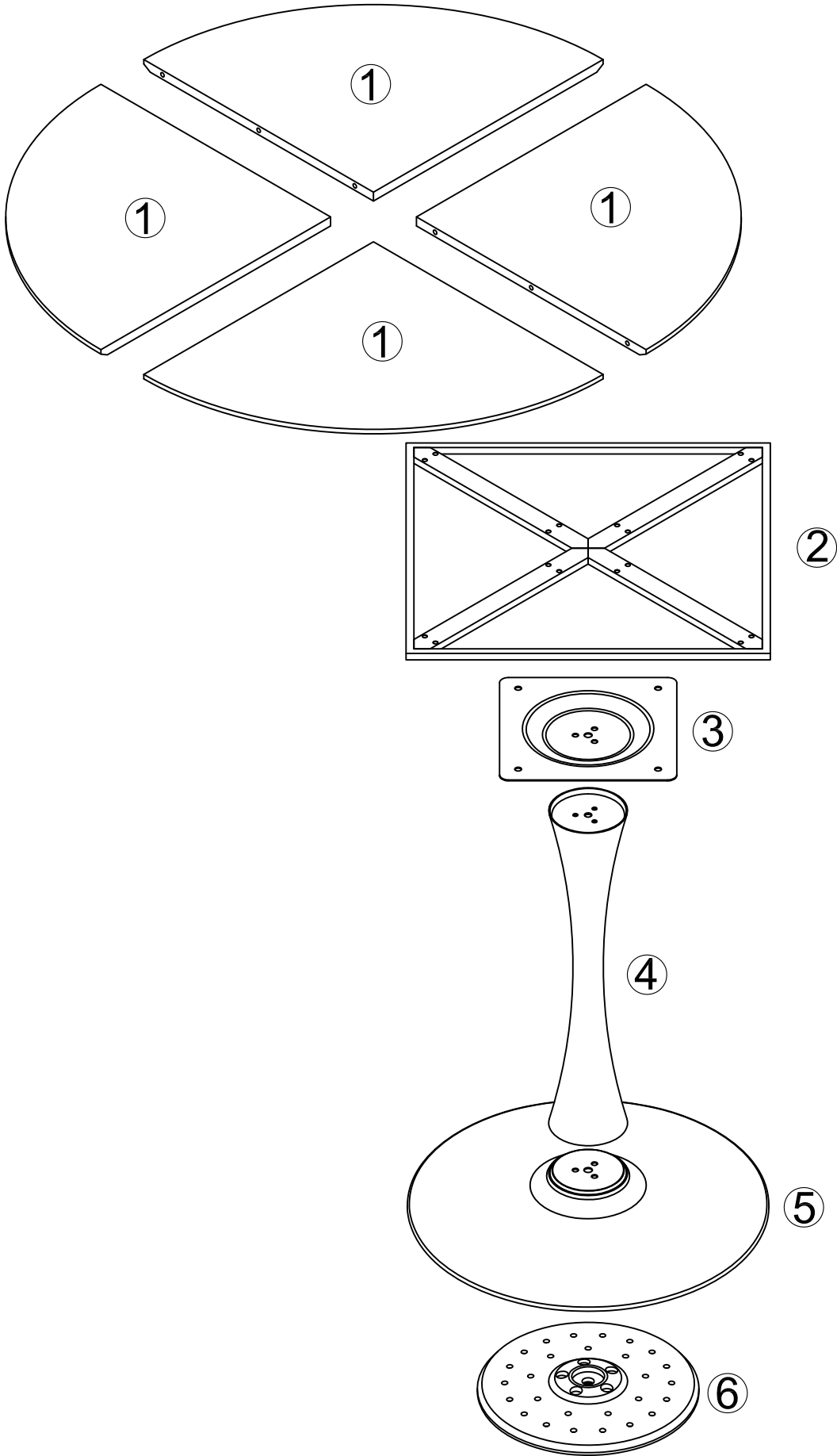
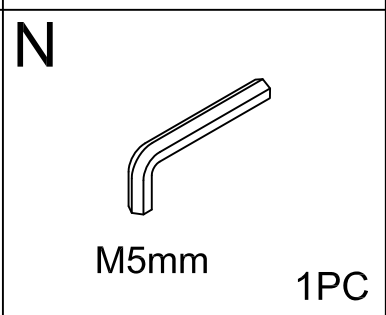
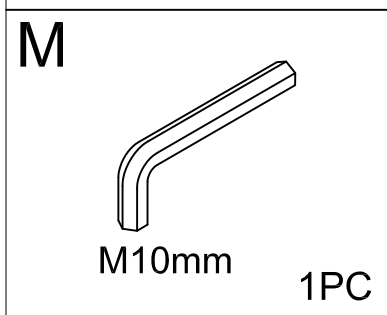
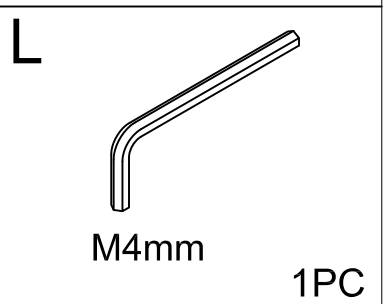
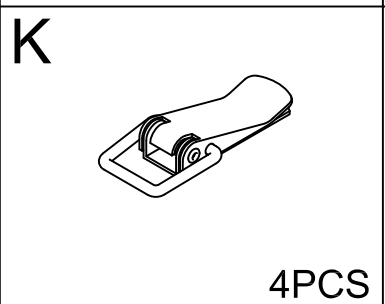
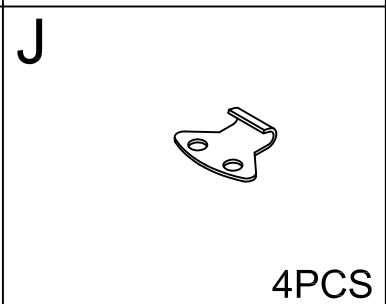
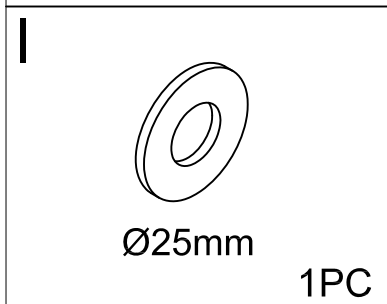
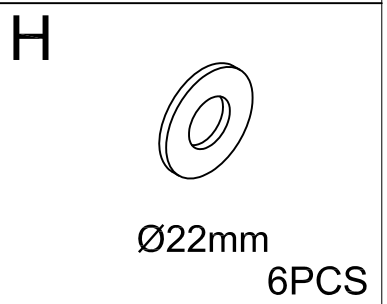
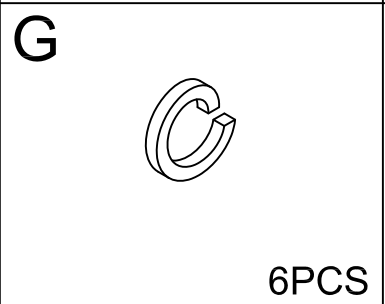
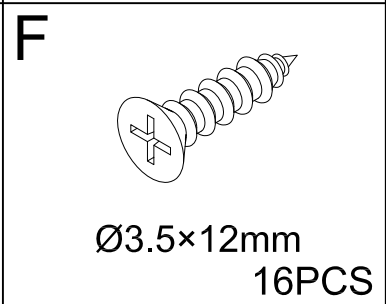
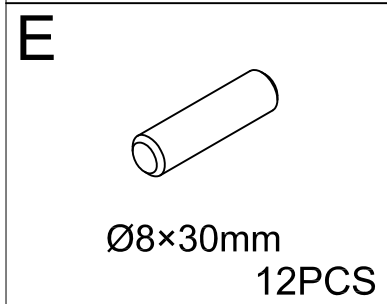
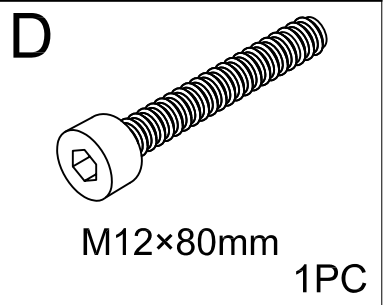
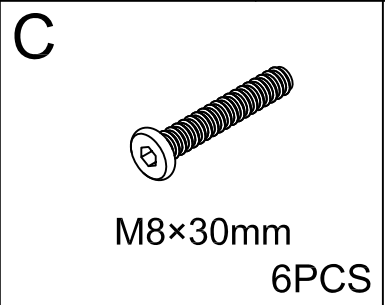
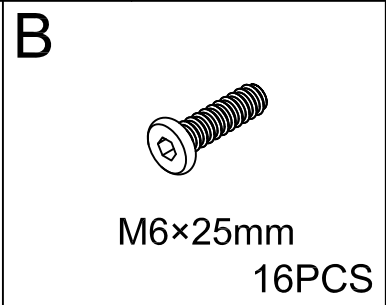
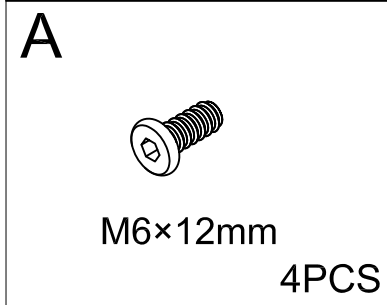
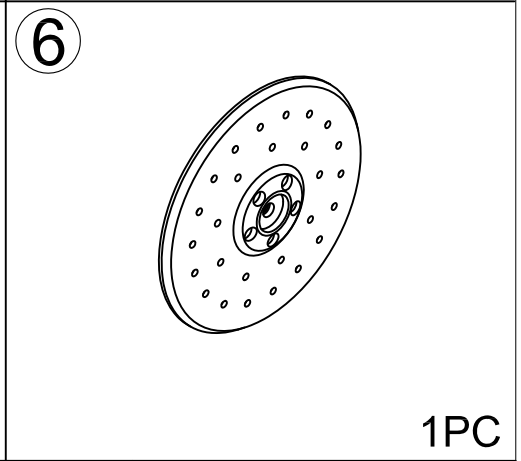
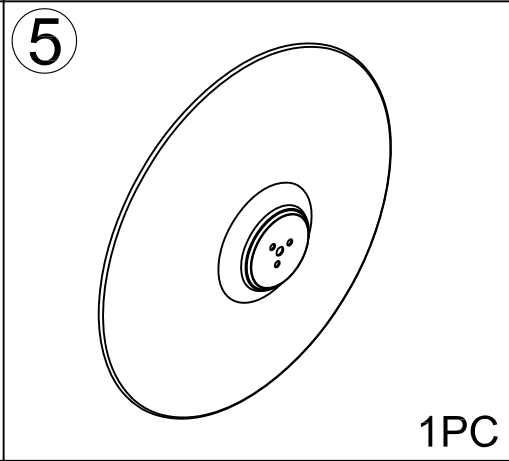
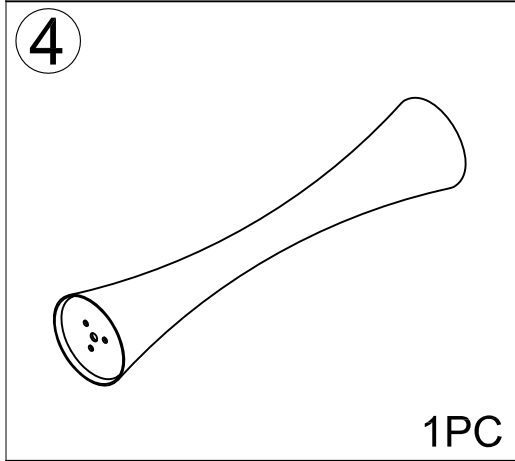
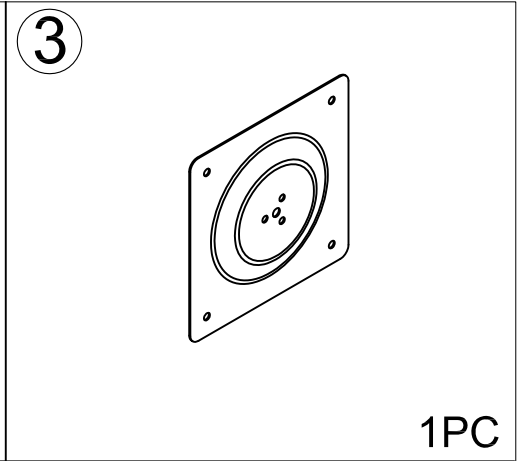
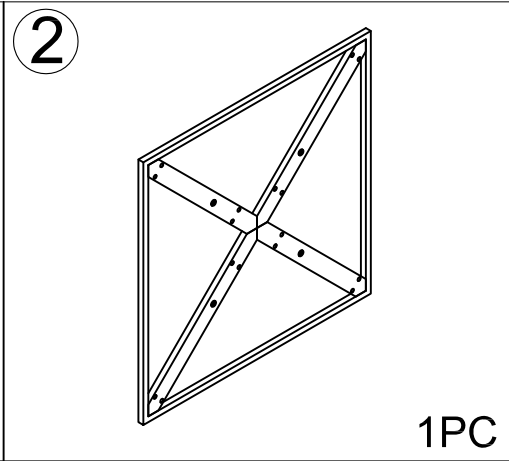
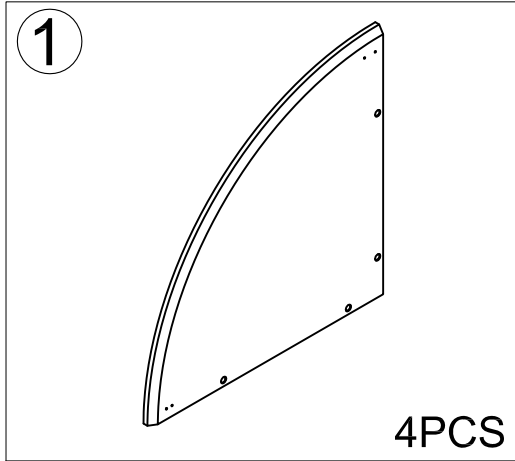


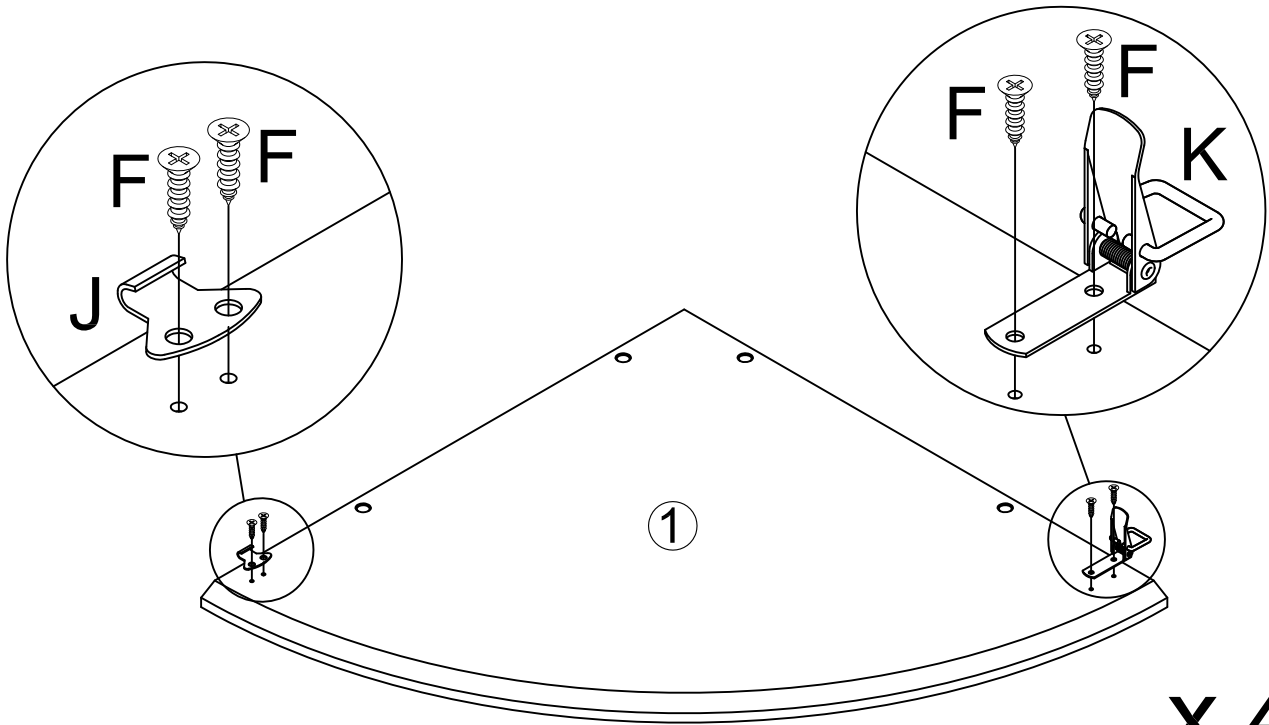
# Assembly Instructions








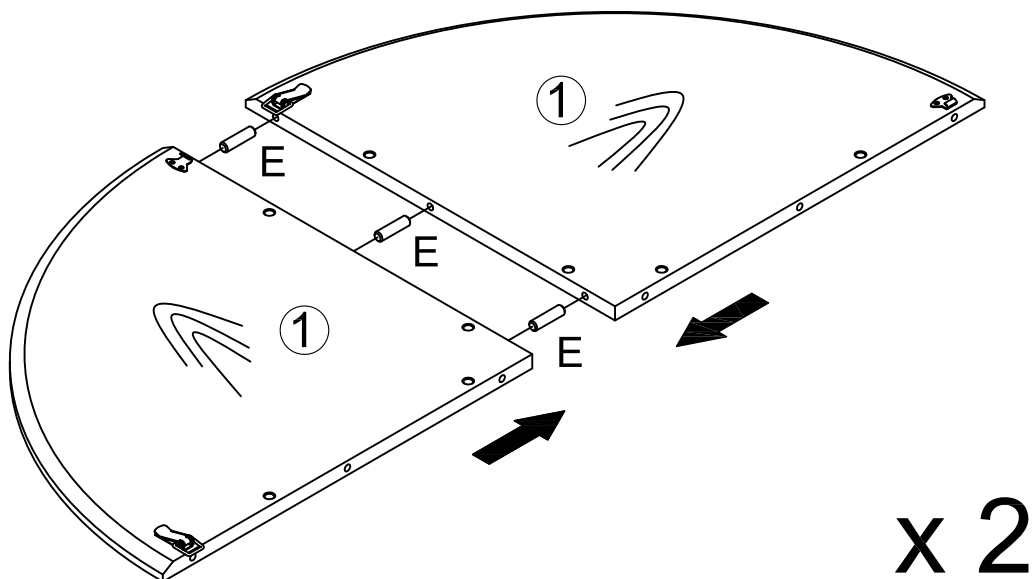



1



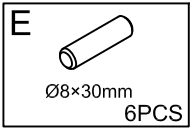
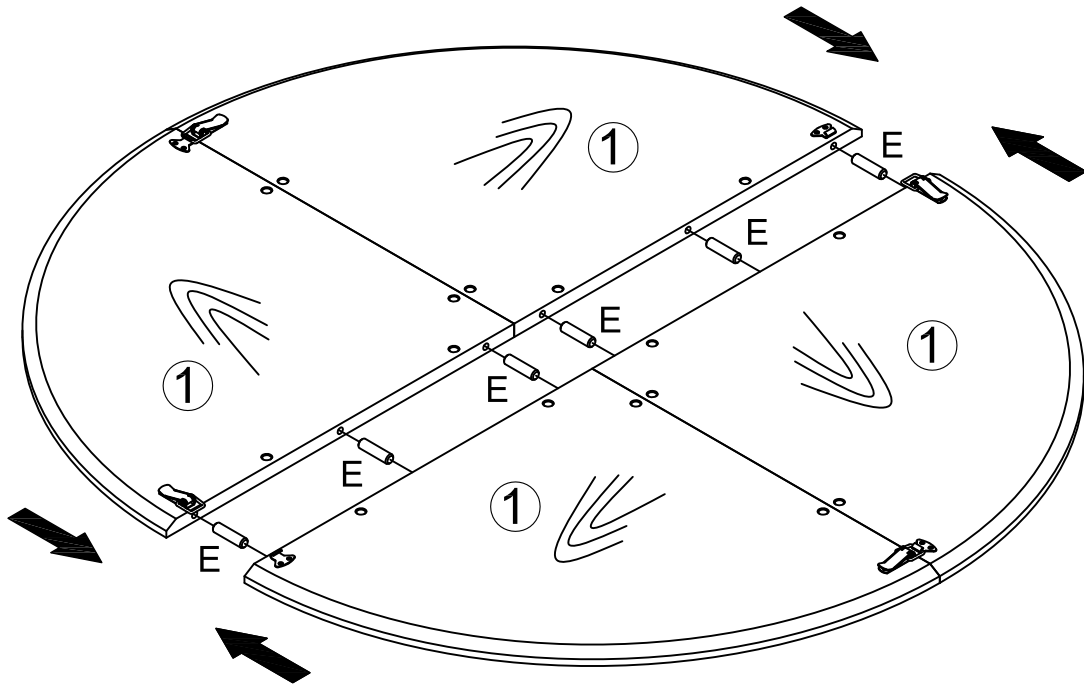
<b>F</b>  Ø3.5×12mm 16PCS	<b>J</b>  4PCS	<b>K</b>  4PCS
--	---	--

2

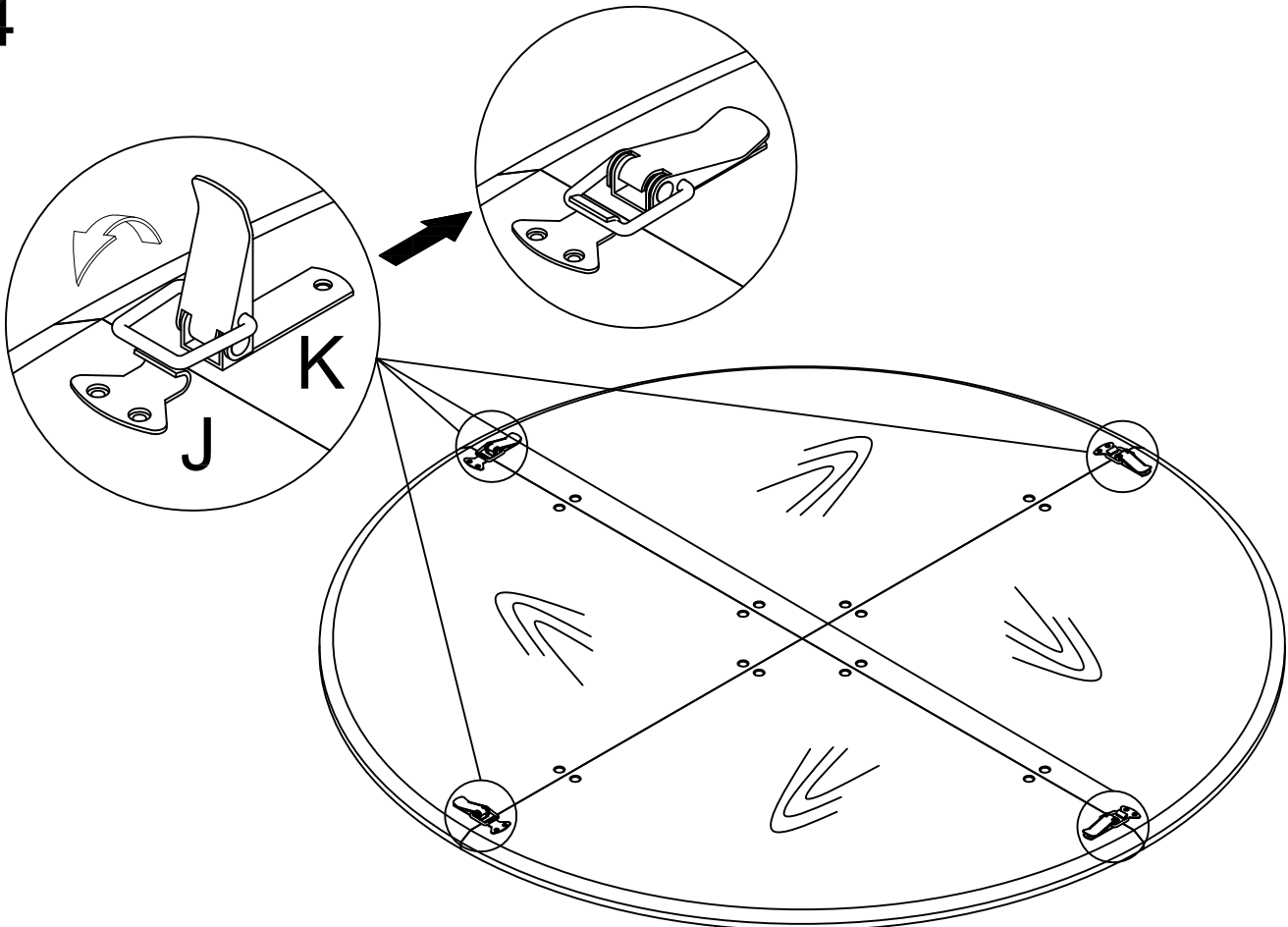


<b>E</b>  Ø8×30mm 6PCS
--

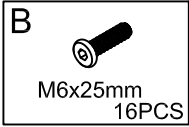
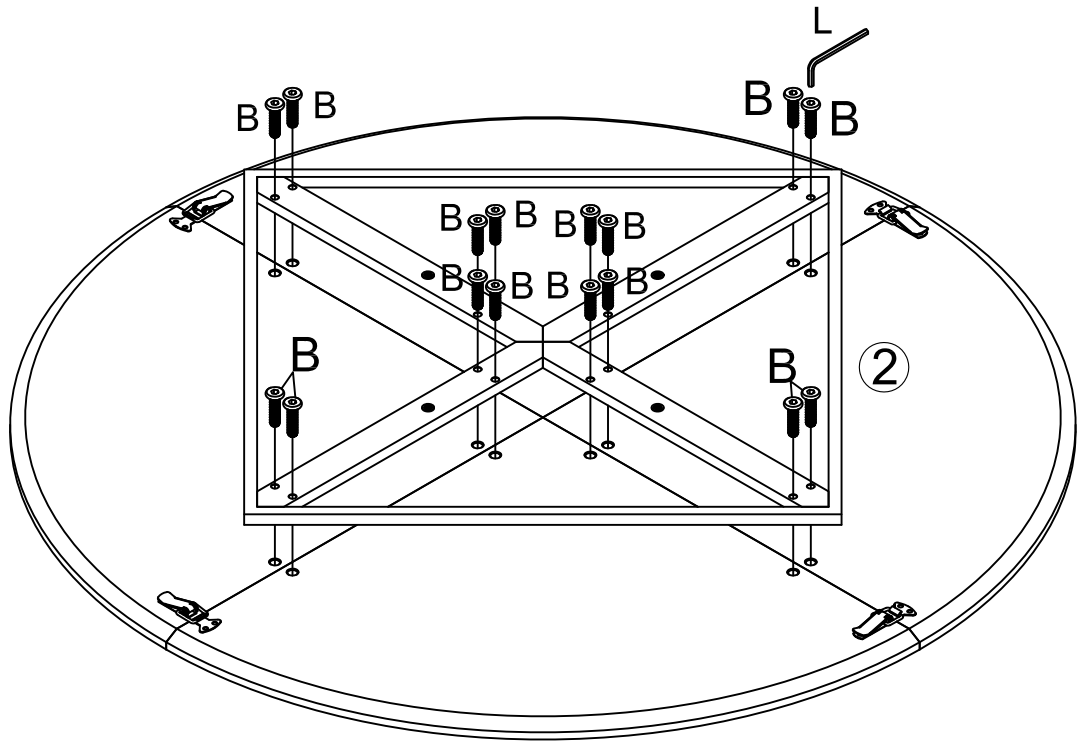
3



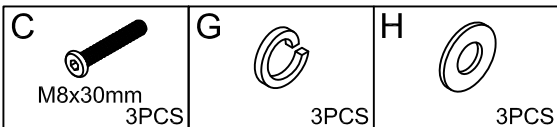
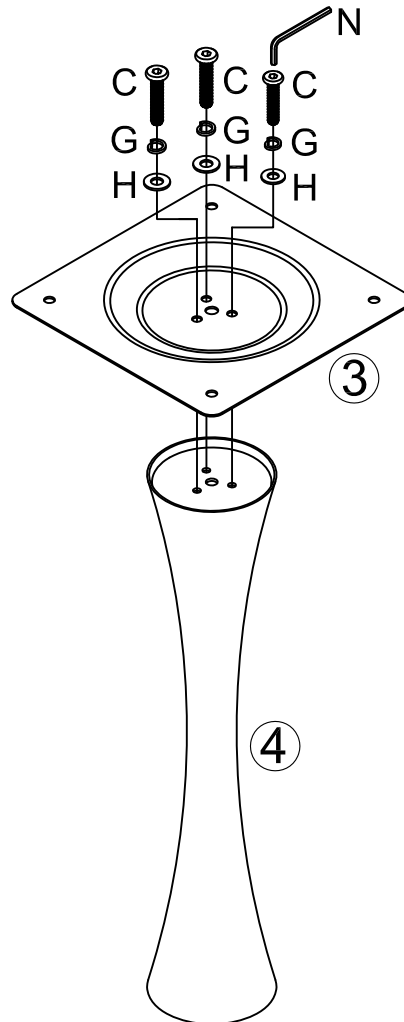
4



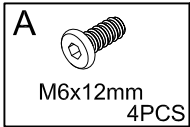
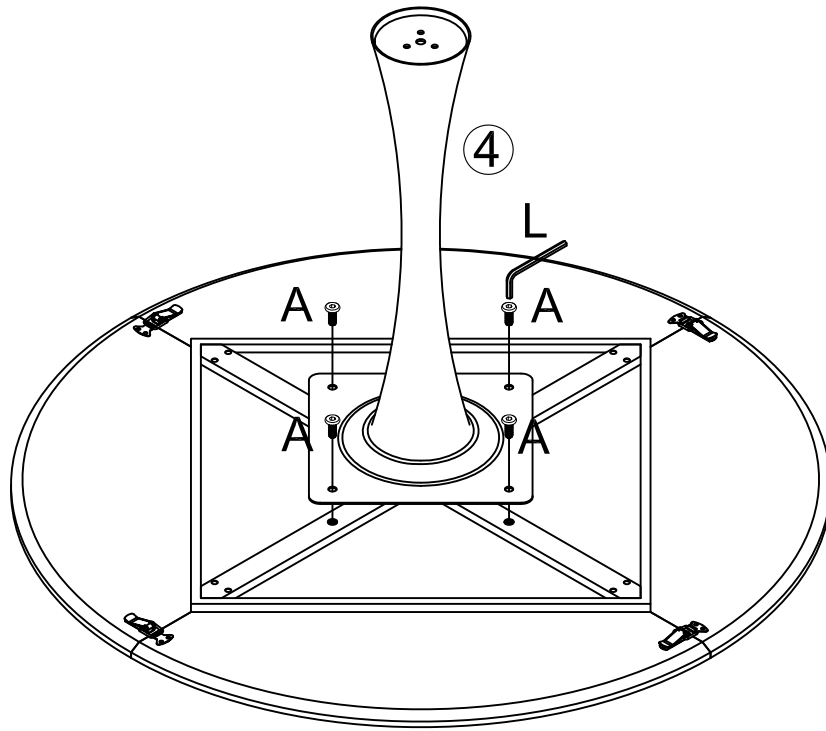
5



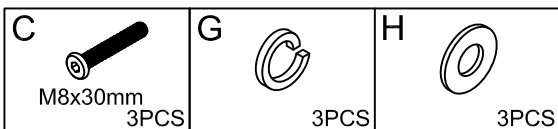
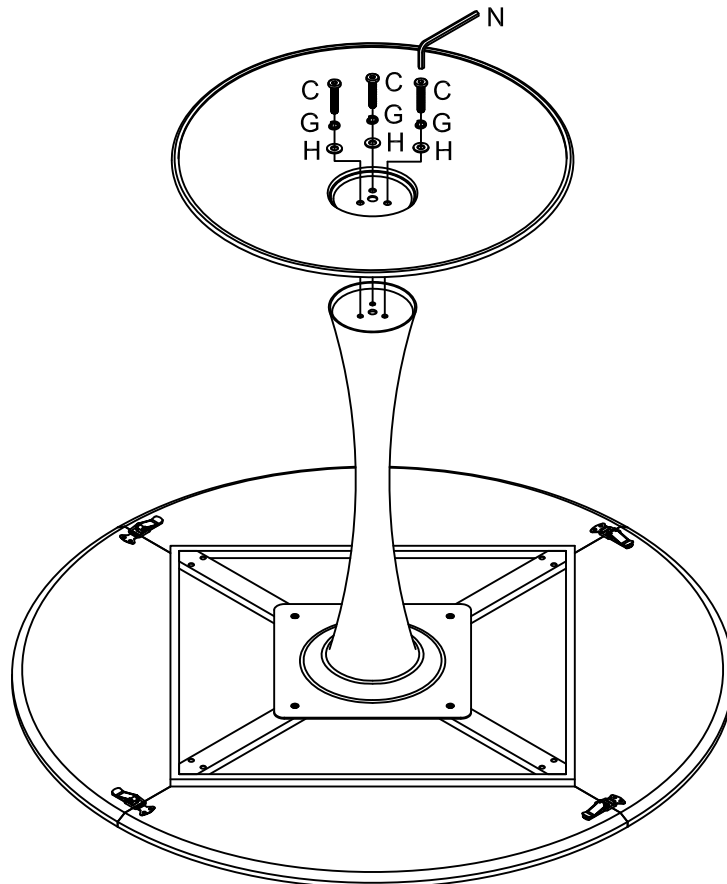
6



7

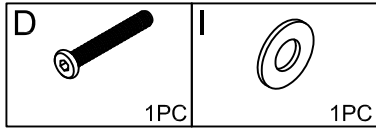
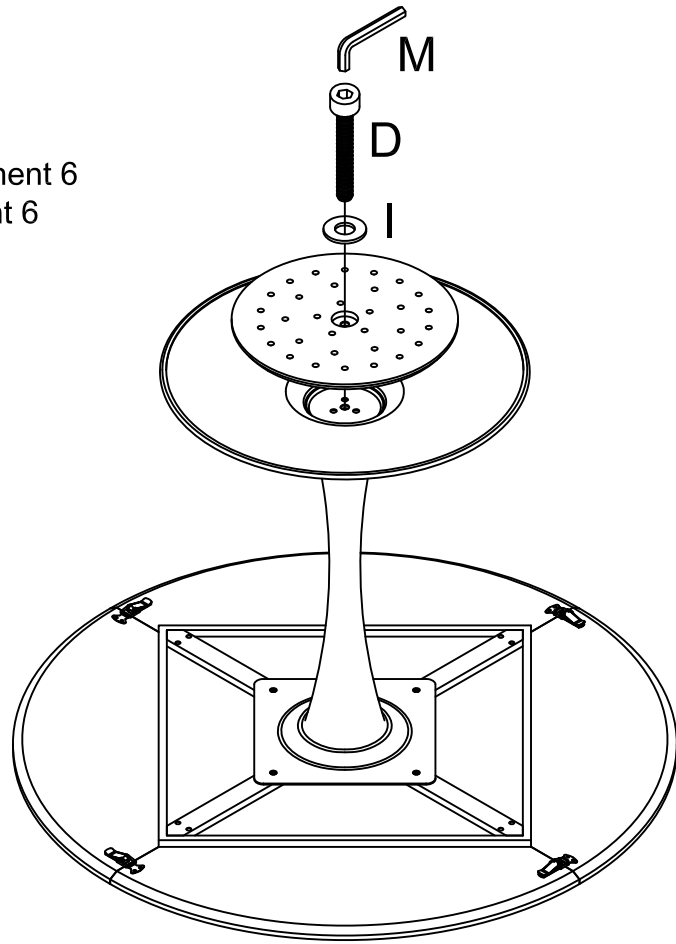


8



# 9

Note: the numbered D screw should be properly locked until the bottom of component 6 is flat. If it is locked all the time, component 6 will be damaged and can not be used.



# 10

