
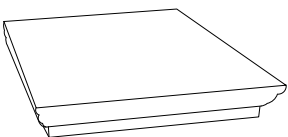
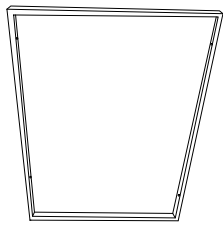
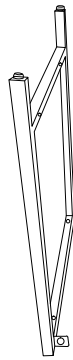
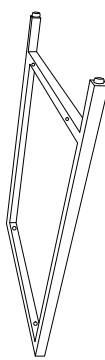
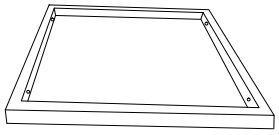
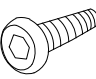
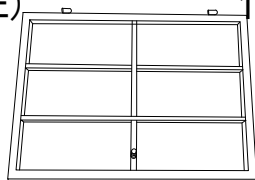
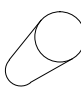
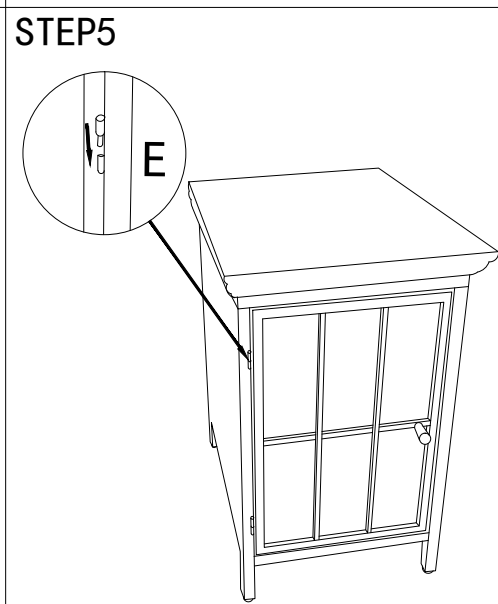
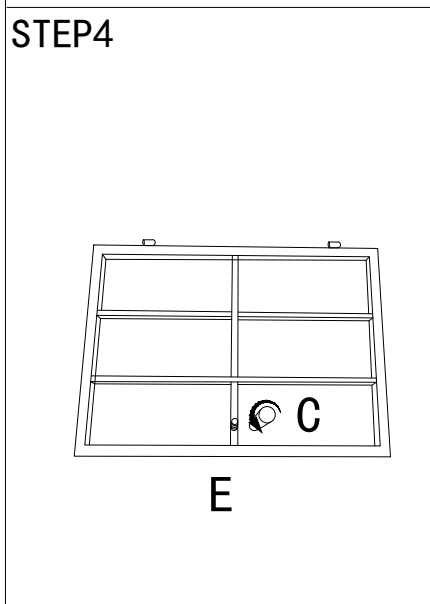
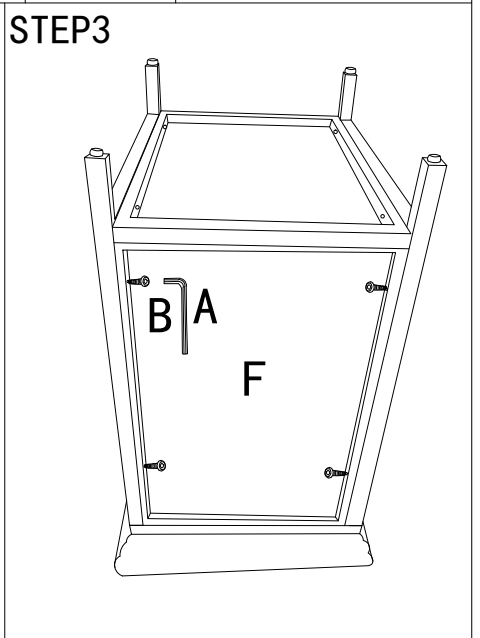
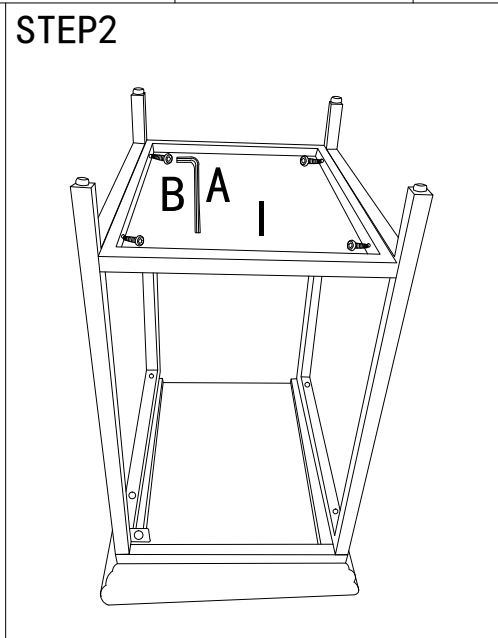
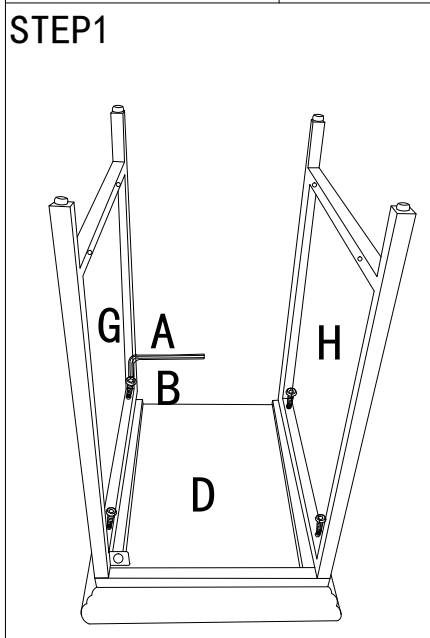


ASSEMBLY INSTRUCTION

(DON'T FULLY TIGHTEN THE SCREWS BEFORE FINISHING ASSEMBLY)

COMPONENTS:

| | | | | | |
|---|---|---|--|---|---|
| <p>A) 1PC</p>  | <p>D) 1PC</p>  | <p>F) 1PC</p>  | <p>G) 1PC</p>  | <p>H) 1PC</p>  | <p>I) 1PC</p>  |
| <p>B) 12PCS</p>  | <p>E) 1PC</p>  | | | | |
| <p>C) 1PC</p>  | | | | | |



NOTE: AFTER ASSEMBLY, PLEASE MAKE SURE THAT ALL SCREWS ARE 100% LOCKED.