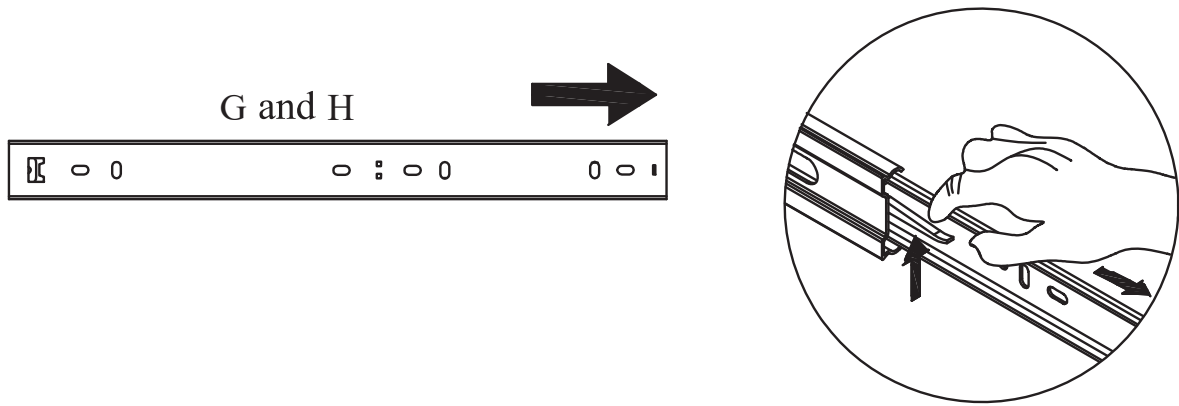
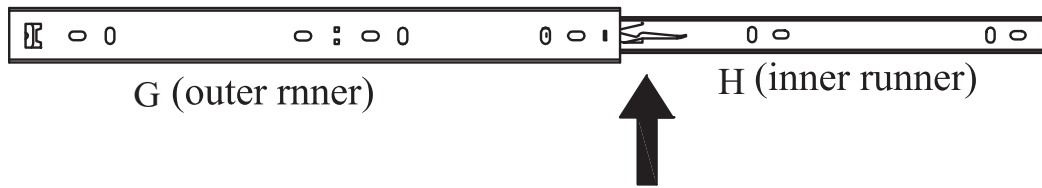


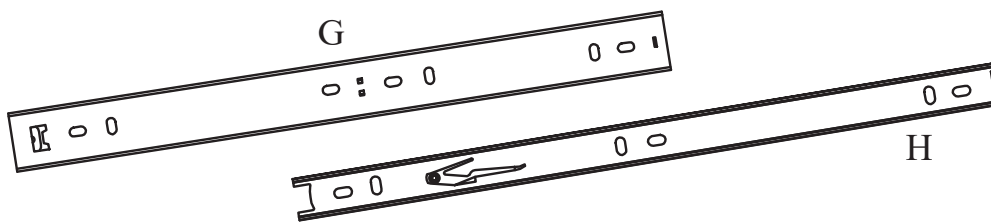
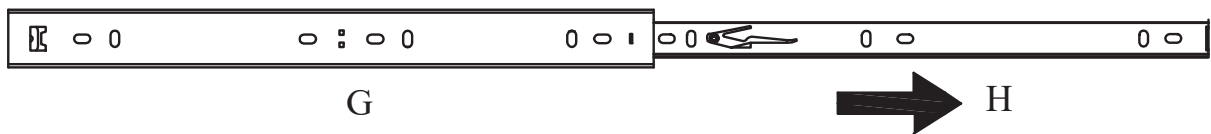
NOTE: Pull inner and outer drawer runners apart before fixing them to panels.



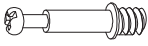
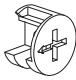


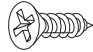

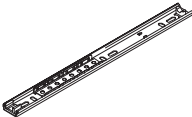
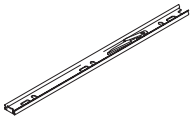
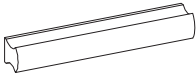




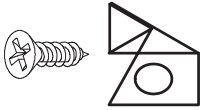

Slide drawer runners apart until the drawer lock can be seen, as shown.



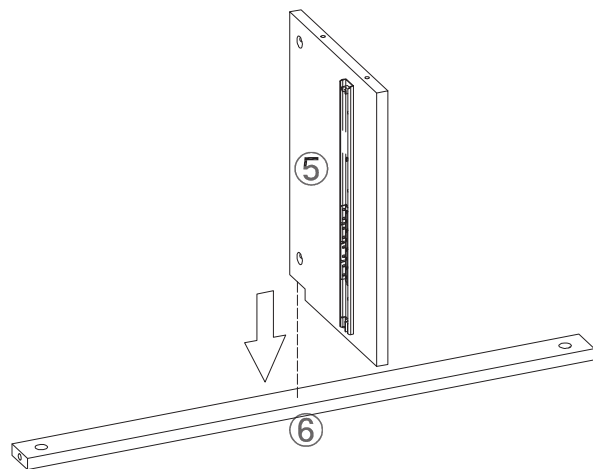
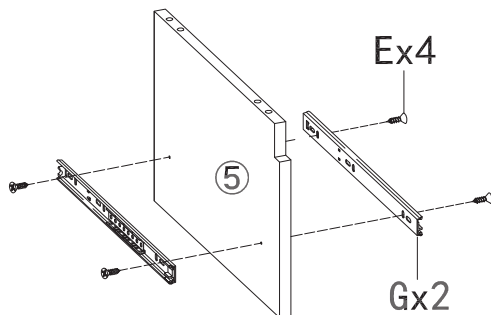
Press and hold the drawer runner lock upwards then continue to slide drawer runner apart, as shown.



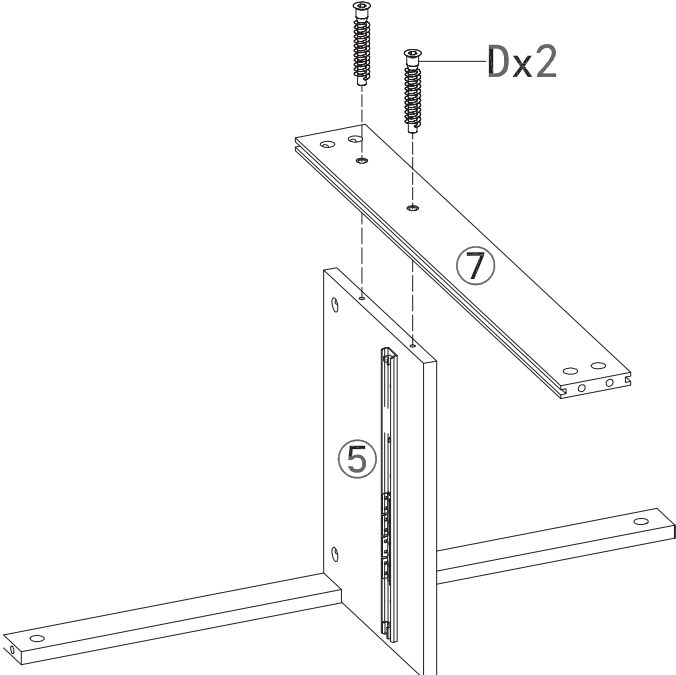
Your inner and outer drawer runners are ready to be fixed to panels.

A	B	C	D	E	F
				 M3.5*14mm	 M4*35mm
40	40	13	2	33	21
G	H	I	J	k	L
			 M4*20mm		  6*30mm
8	8	6	12	1	1
S	T				
					
6	4				

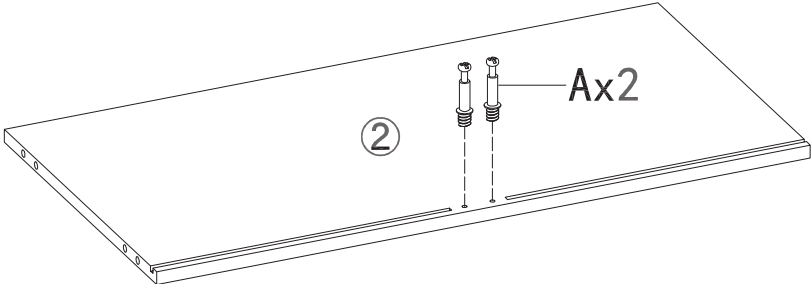
## Step 1



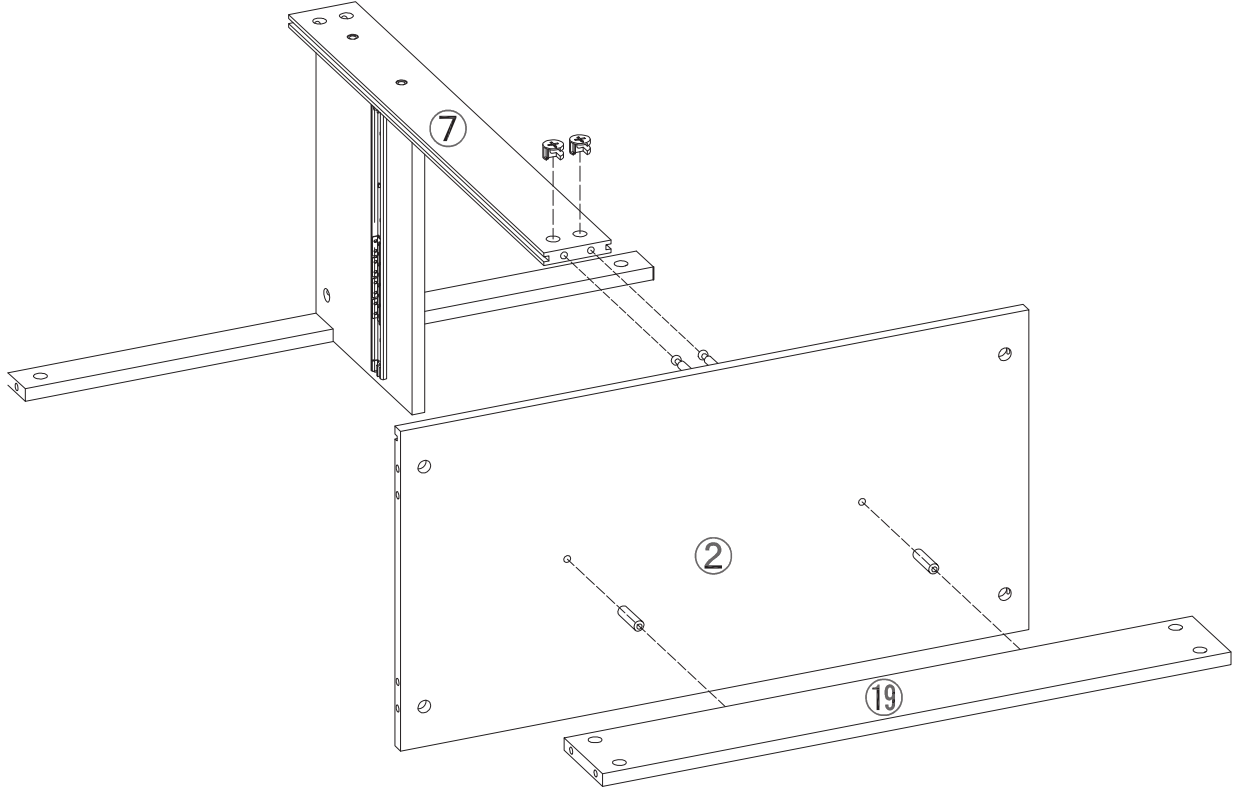
# Step 2



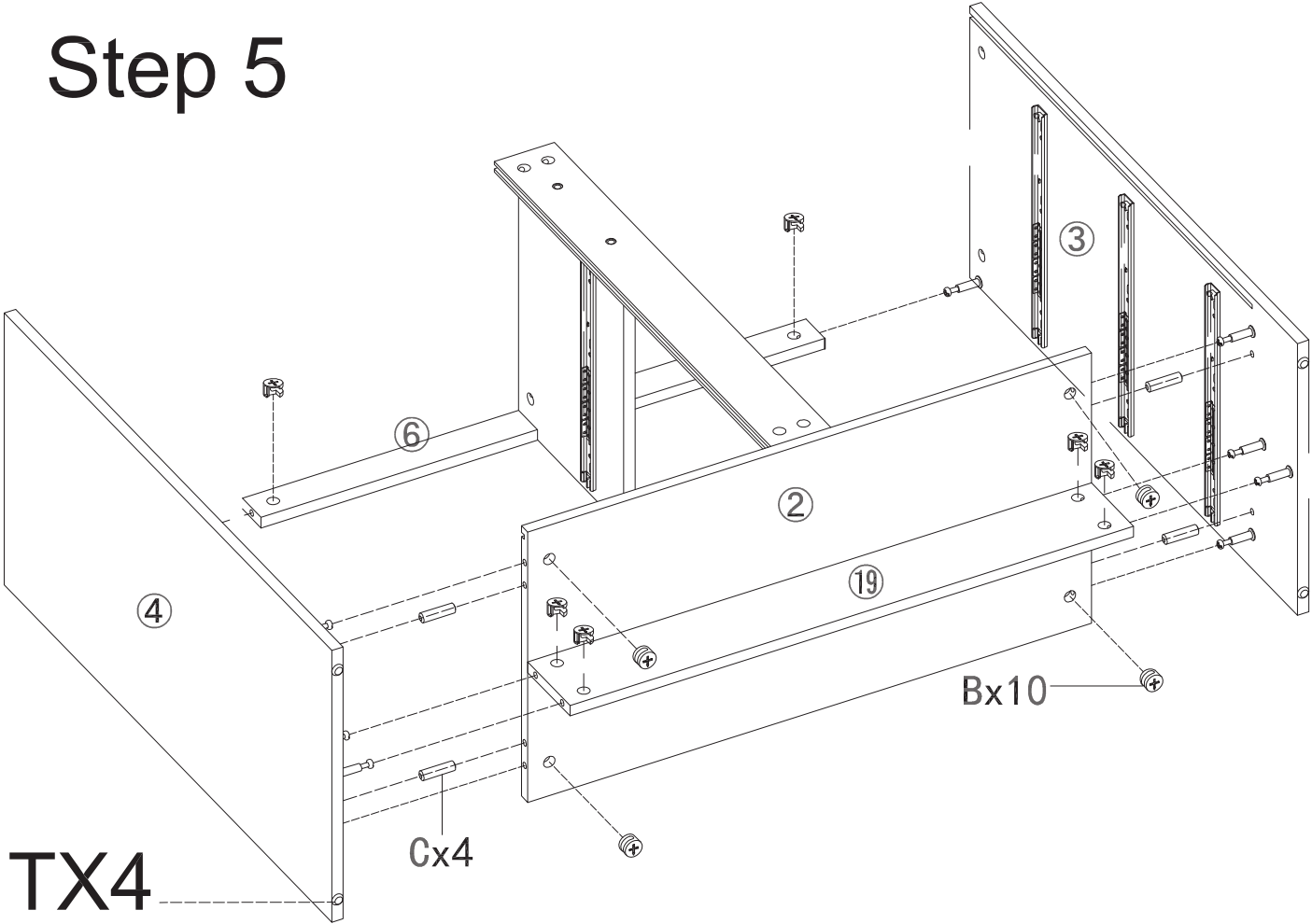
# Step 3



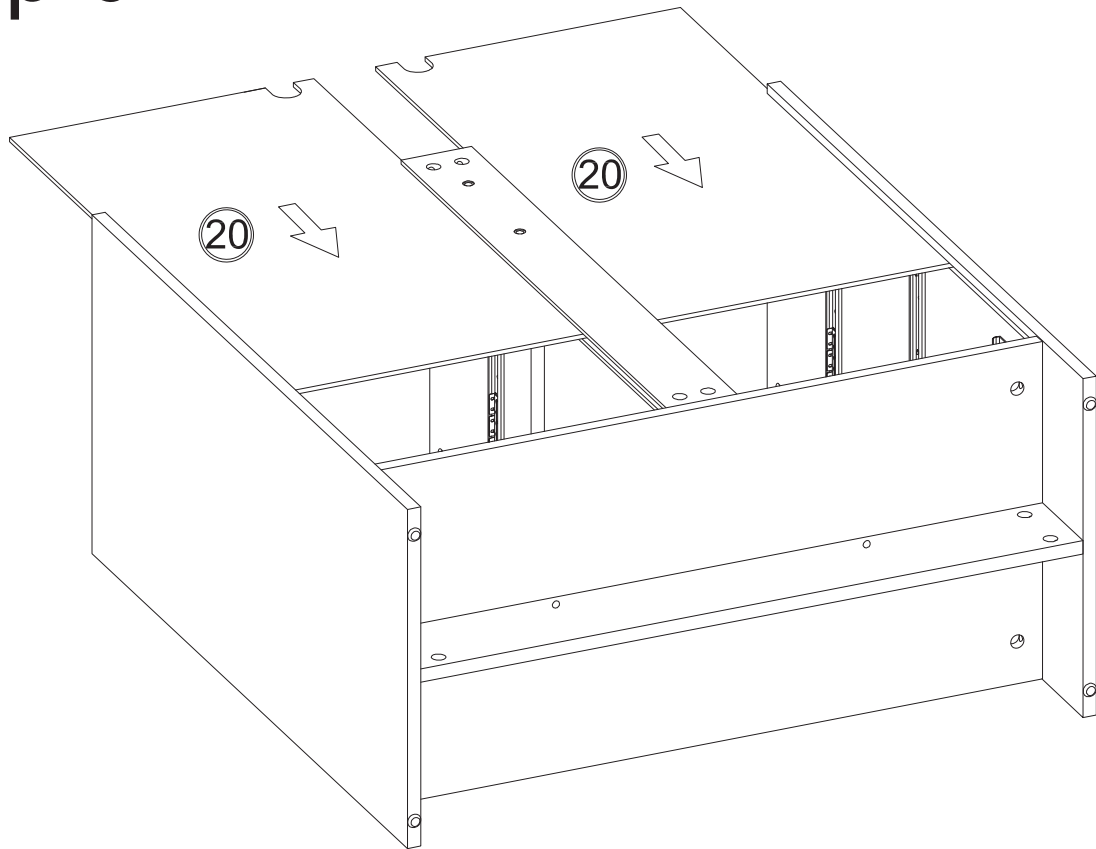
# Step 4



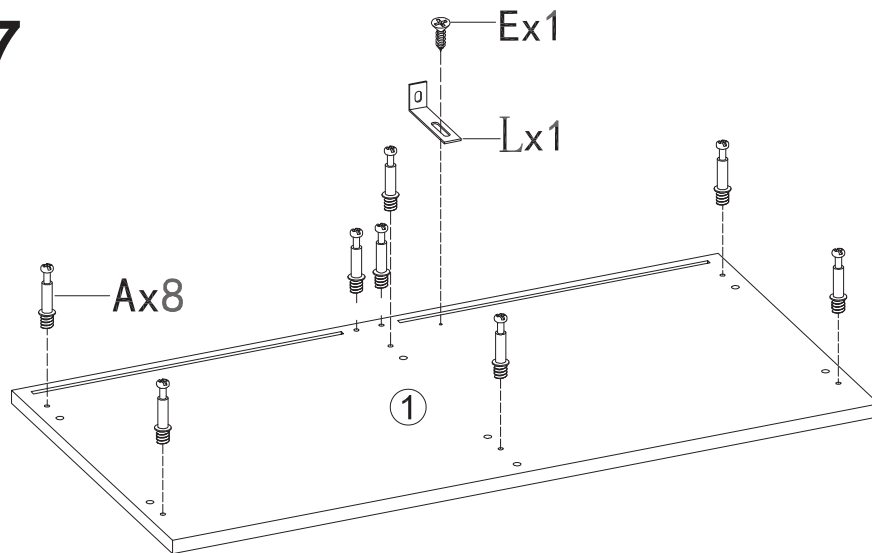
# Step 5



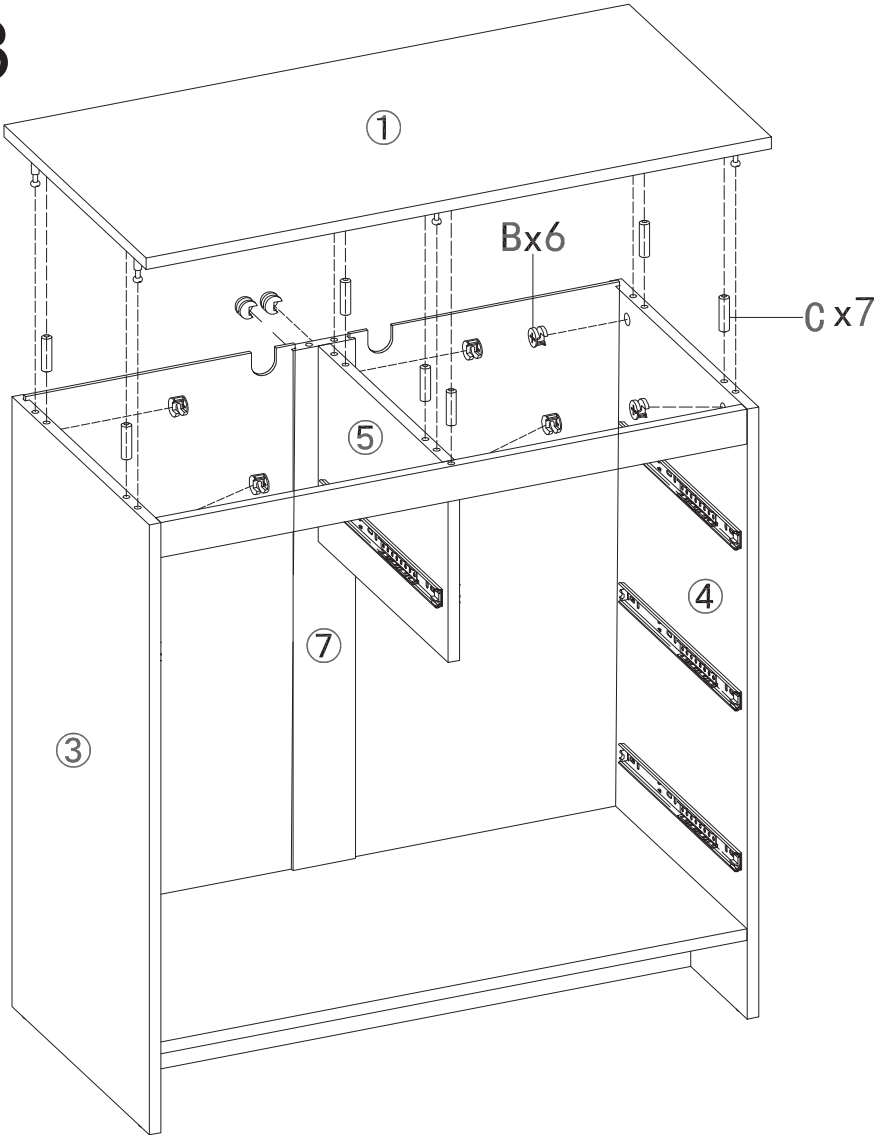
# Step 6



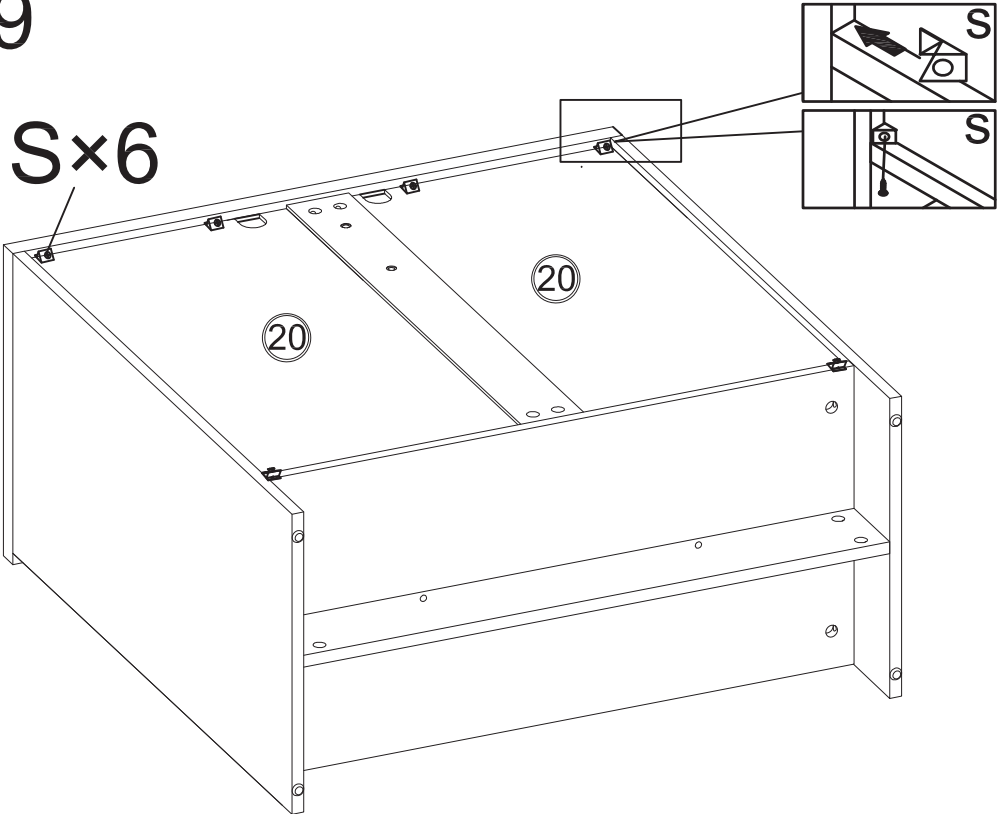
# Step 7



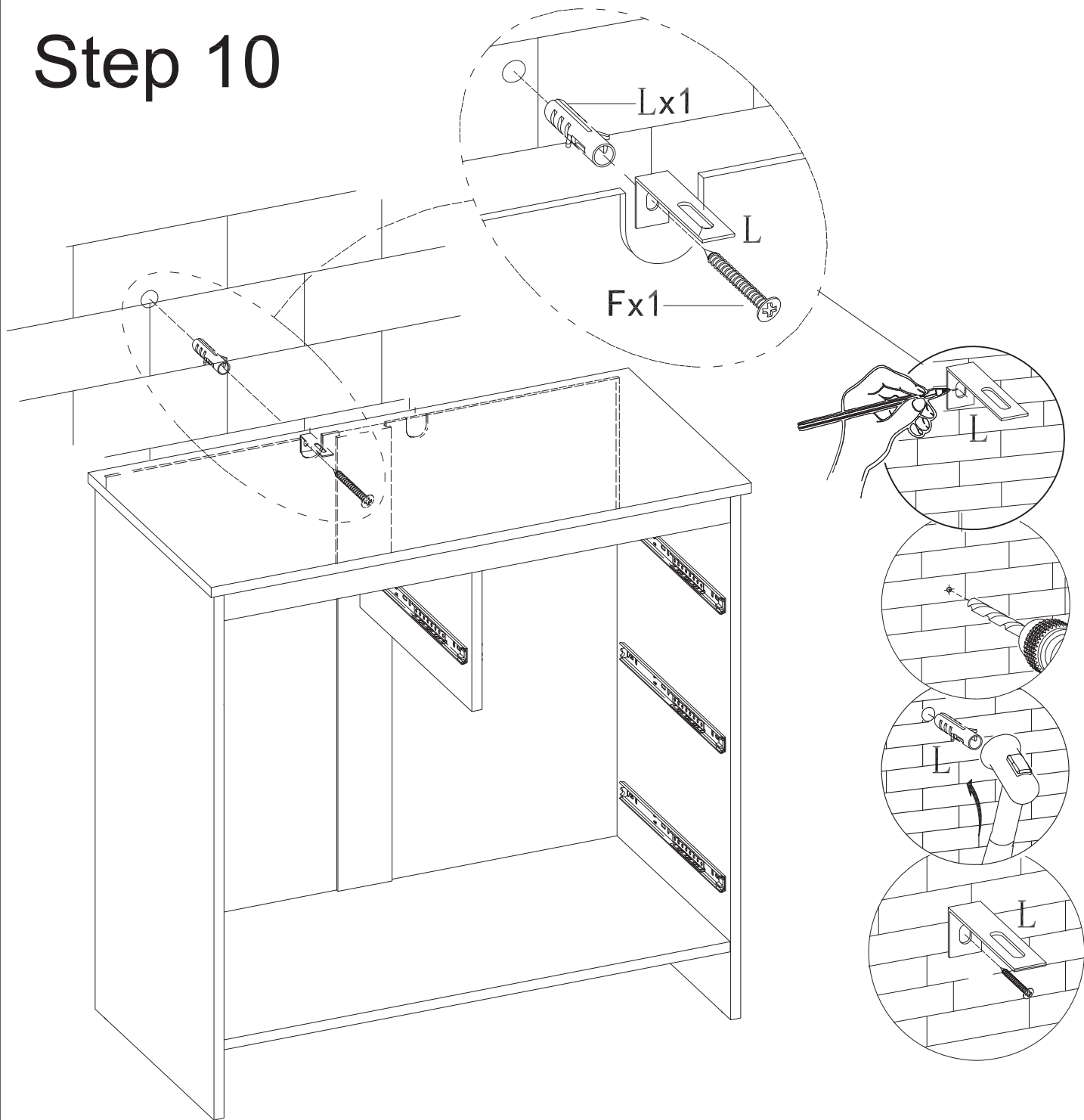
# Step 8



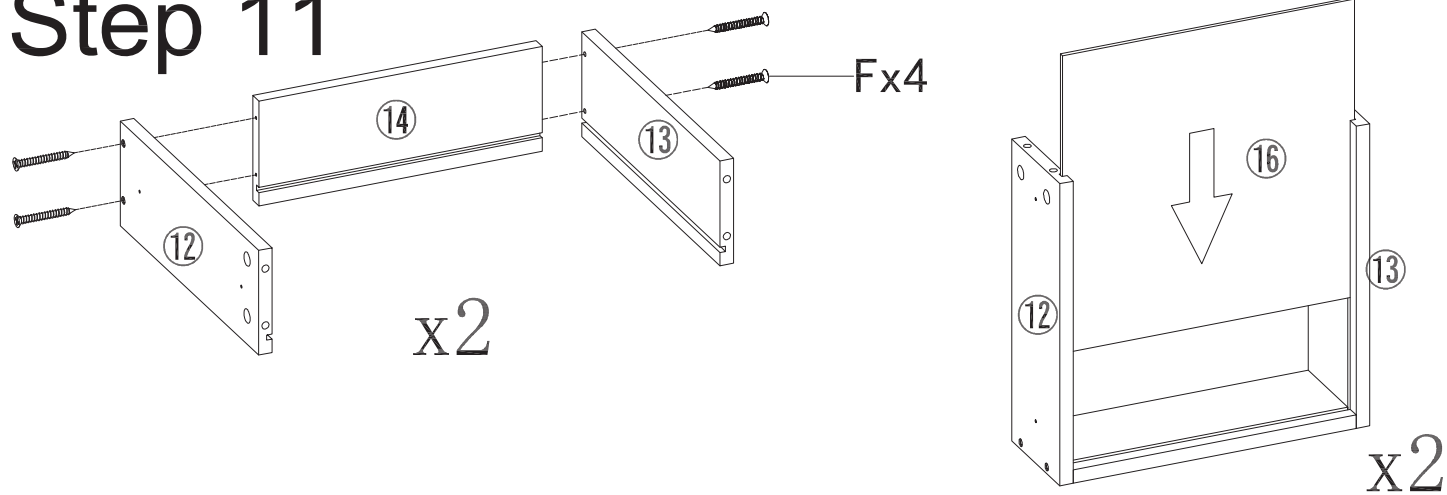
# Step 9



# Step 10

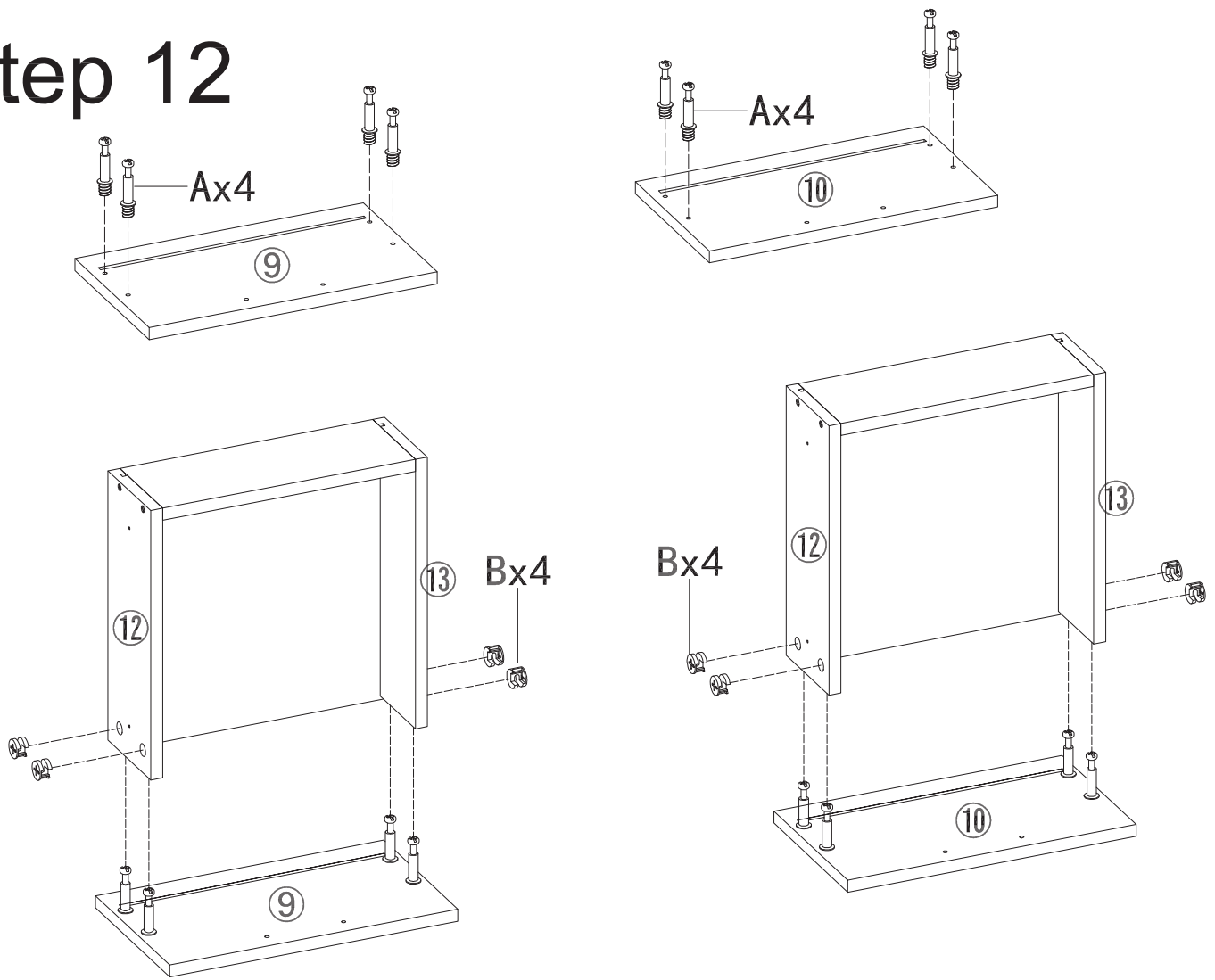


# Step 11

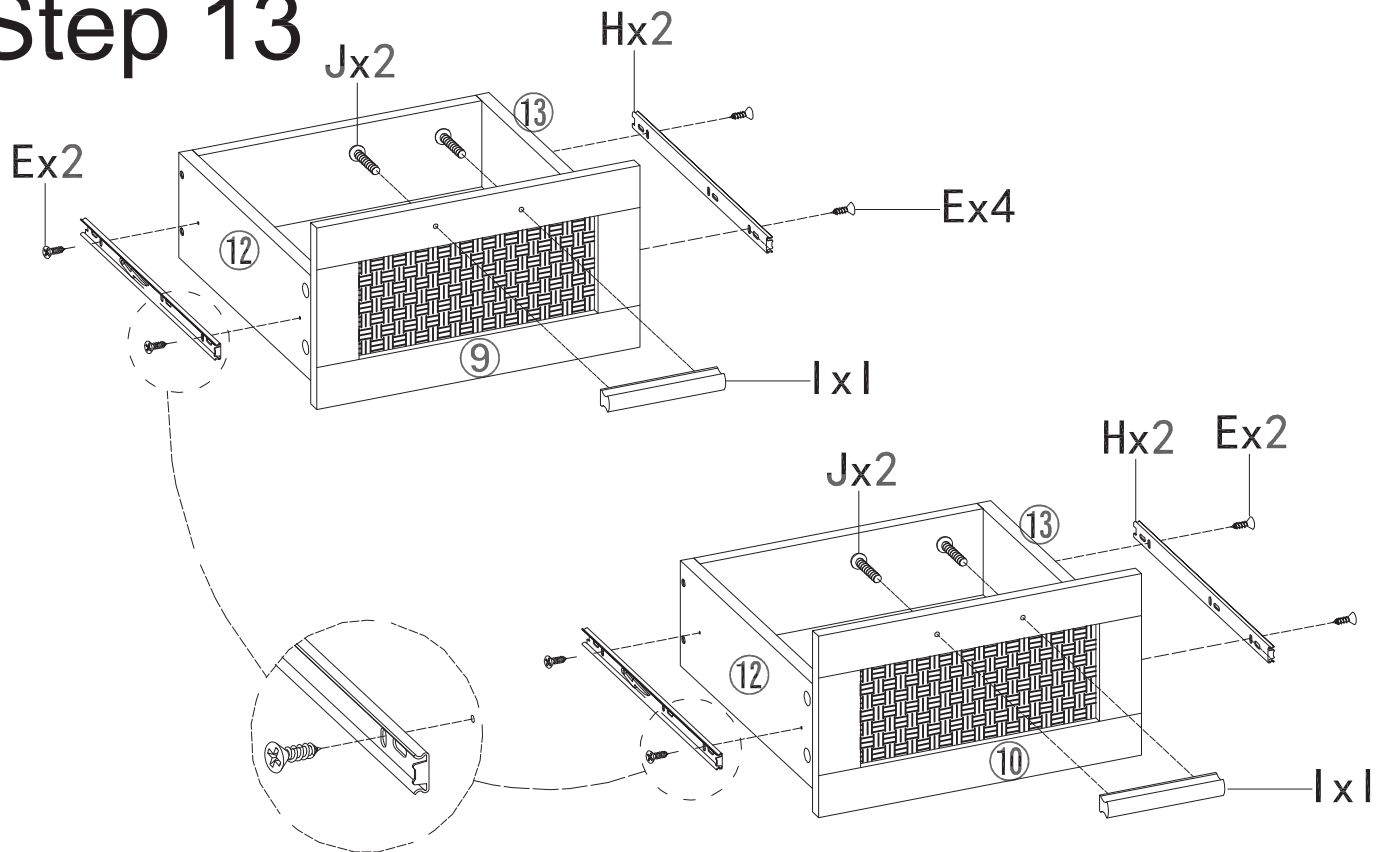




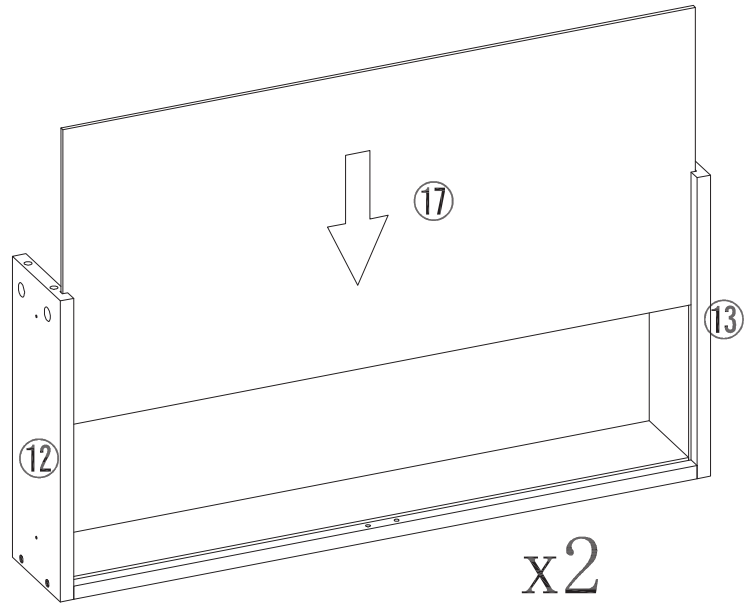
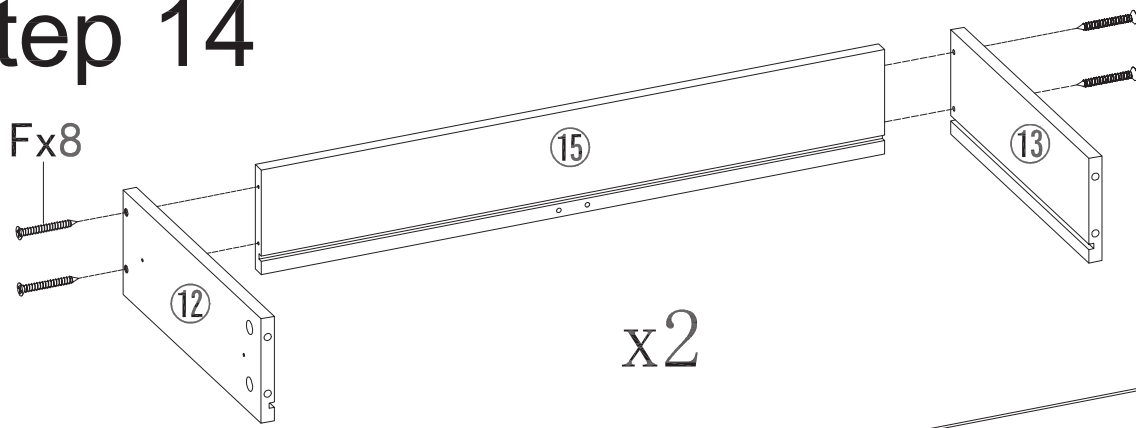
# Step 12



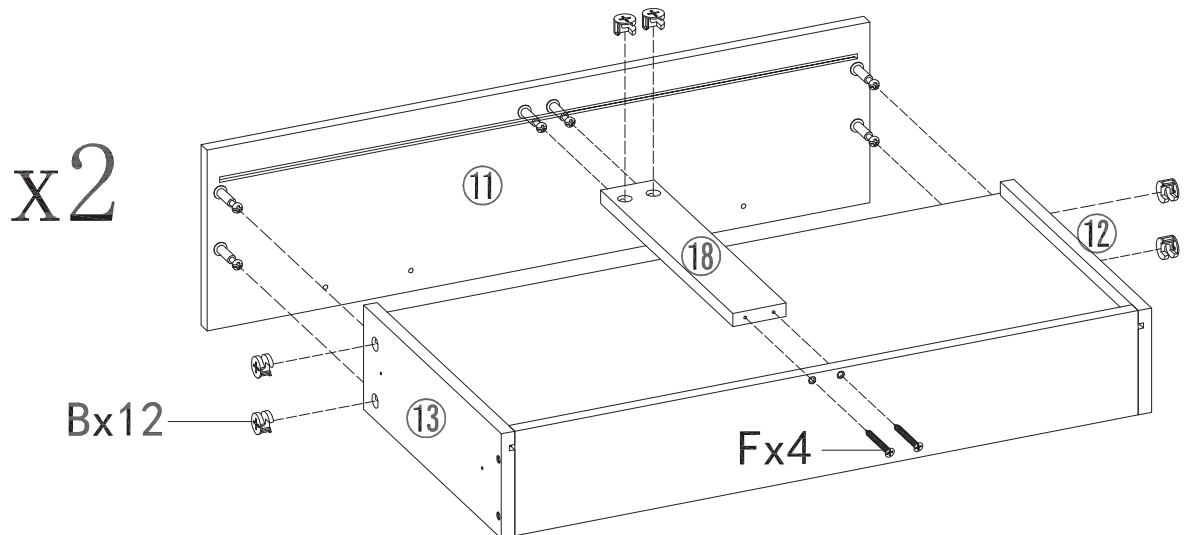
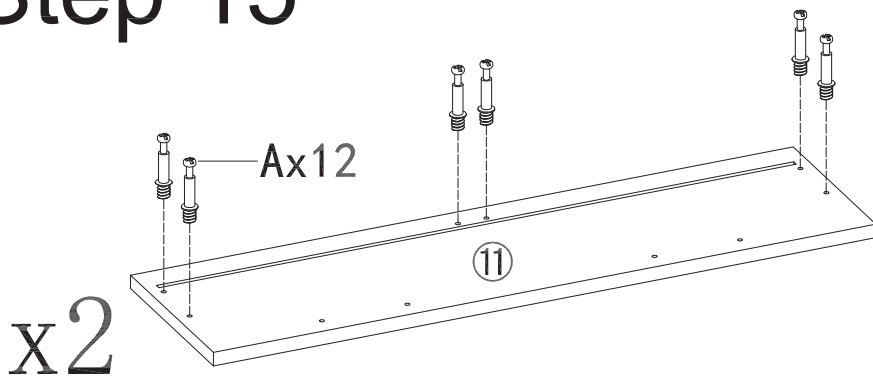
# Step 13



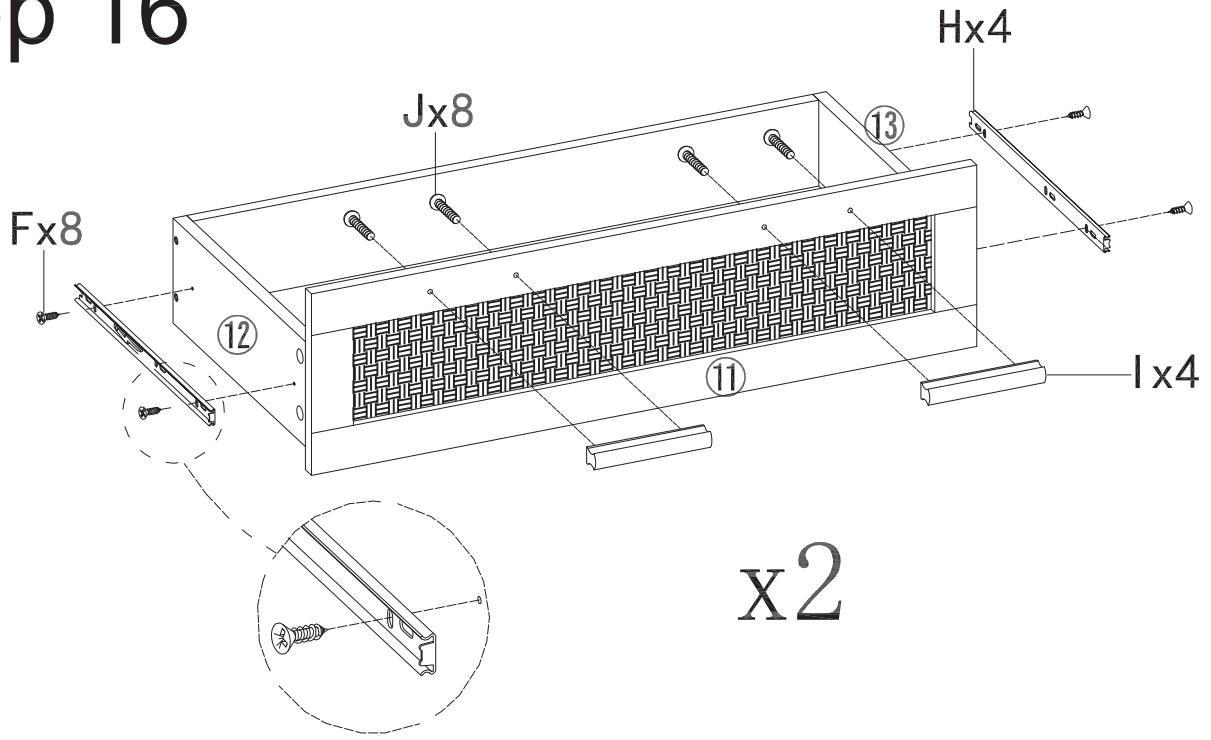
# Step 14



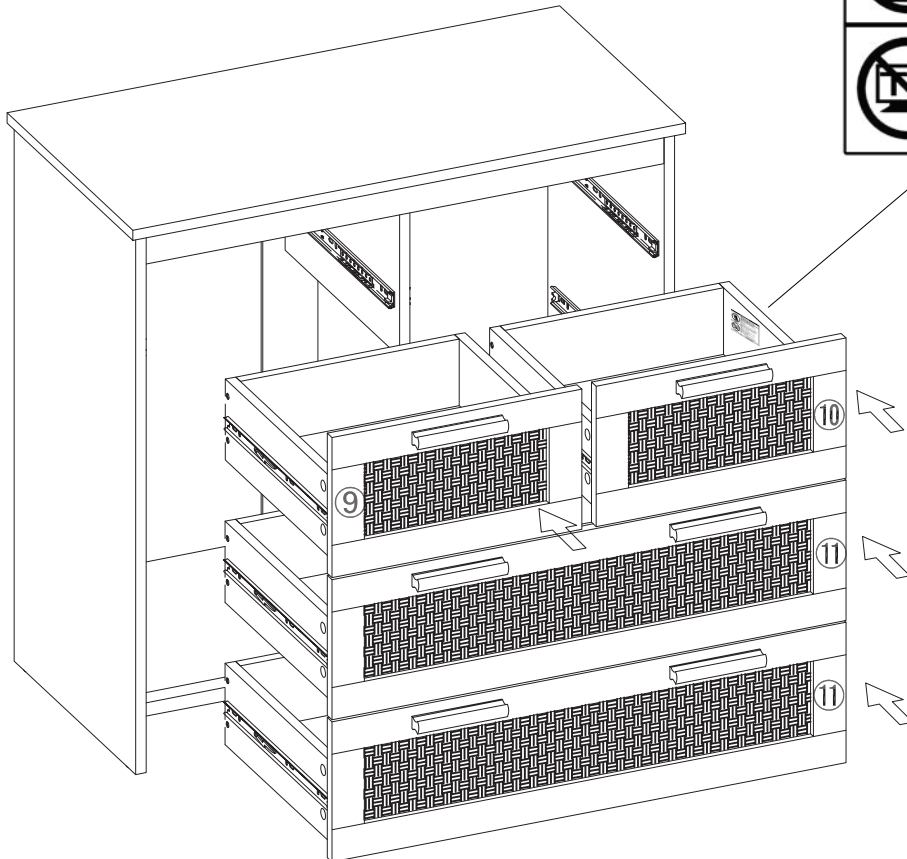
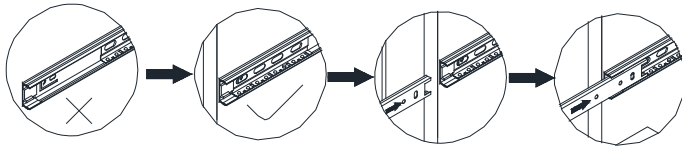
# Step 15



# Step 16



# Step 17



▲ WARNING	
	<b>Children have died from furniture tipover. To reduce the risk of furniture tipover:</b>
	-ALWAYS install Anti-tip device provided.
	-NEVER put a TV on this product.
	-NEVER allow children to stand, climb or hang on any drawers, doors, or shelves.
	-NEVER open more than one drawer at a time.
	-Place heaviest items in the lowest drawers.
	<i>This is a permanent label. Do not remove!</i>