
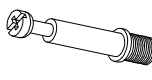
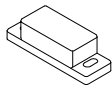
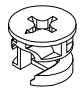
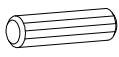
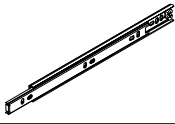

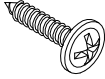
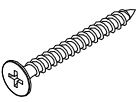
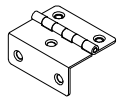

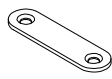
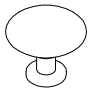

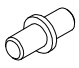

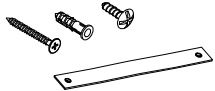

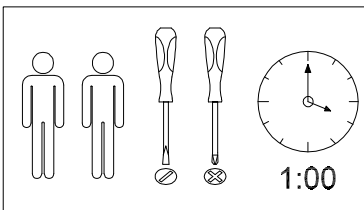


PLEASE READ ALL INSTRUCTIONS BEFORE ASSEMBLY.

Unpack all parts from Styrofoam and bubble wrap inside the carton to ensure there are no missing or damaged parts. If any parts are missing or damaged, do not attempt to assemble or use the product.

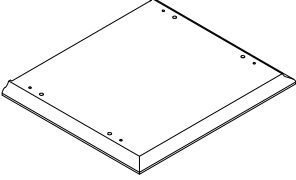


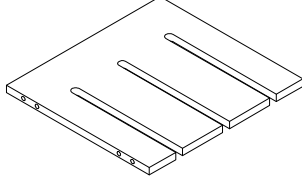
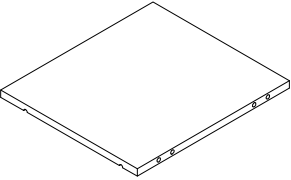
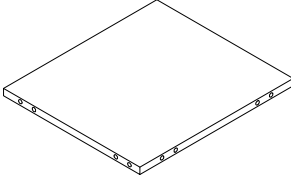
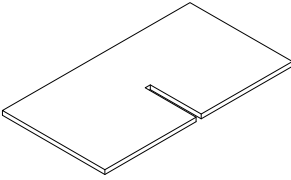
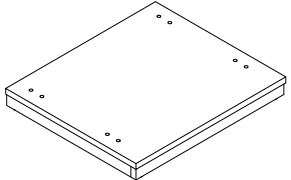
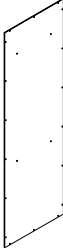
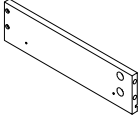
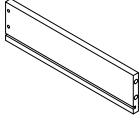
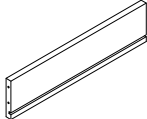
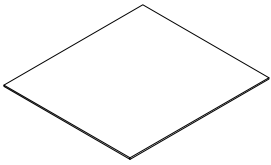
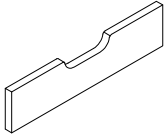

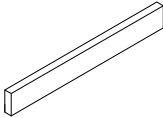
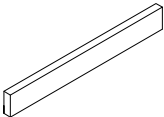
Hardware:

Ⓐ x25+2	Ⓑ x20+2	Ⓒ x1	Ⓓ x20+2	Ⓔ x20+2
				
Ⓕ x2	Ⓖ x4+1	Ⓗ x22+2	Ⓙ x4+1	Ⓚ x3
				
Ⓛ x1	Ⓜ x1	Ⓝ x1	Ⓞ x1+1	Ⓟ x4+1
				
Ⓠ x2+1	Ⓡ x2	Ⓢ x4+1		
				

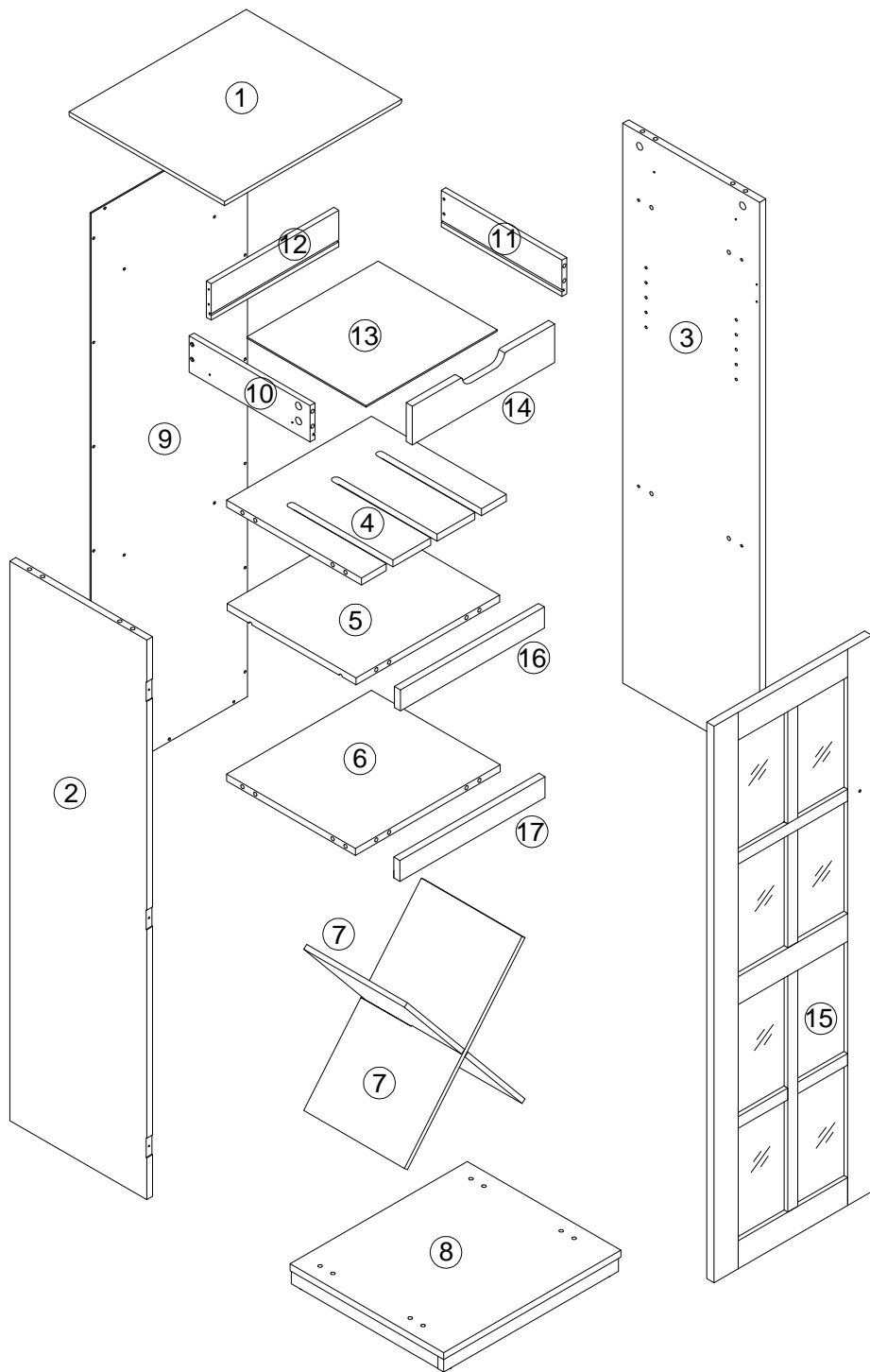


Tools required for assembly: Philips screwdriver and Flathead Screwdriver (if using power tools, use with care)

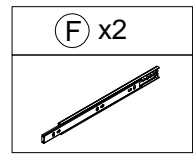
Panels:

① x1	② x1	③ x1	④ x1
			
⑤ x1	⑥ x1	⑦ x2	⑧ x1
			
⑨ x1	⑩ x1	⑪ x1	⑫ x1
			
⑬ x1	⑭ x1	⑮ x1	⑯ x1
			
⑰ x1			
			

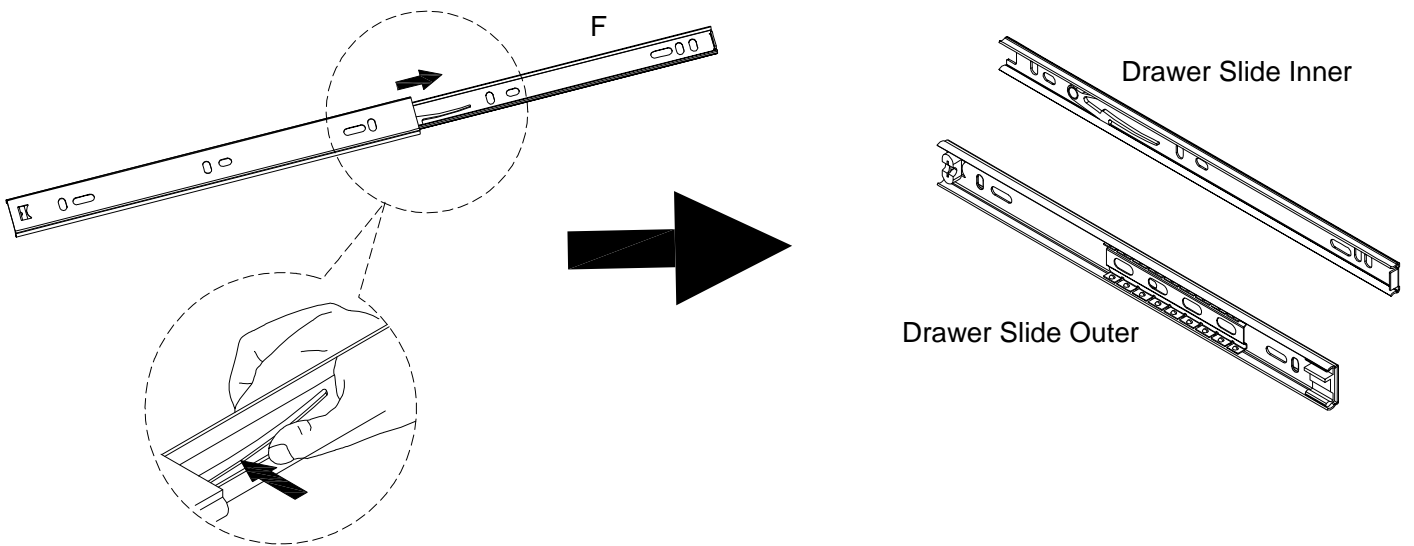
Panels:




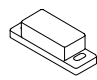


Step 1

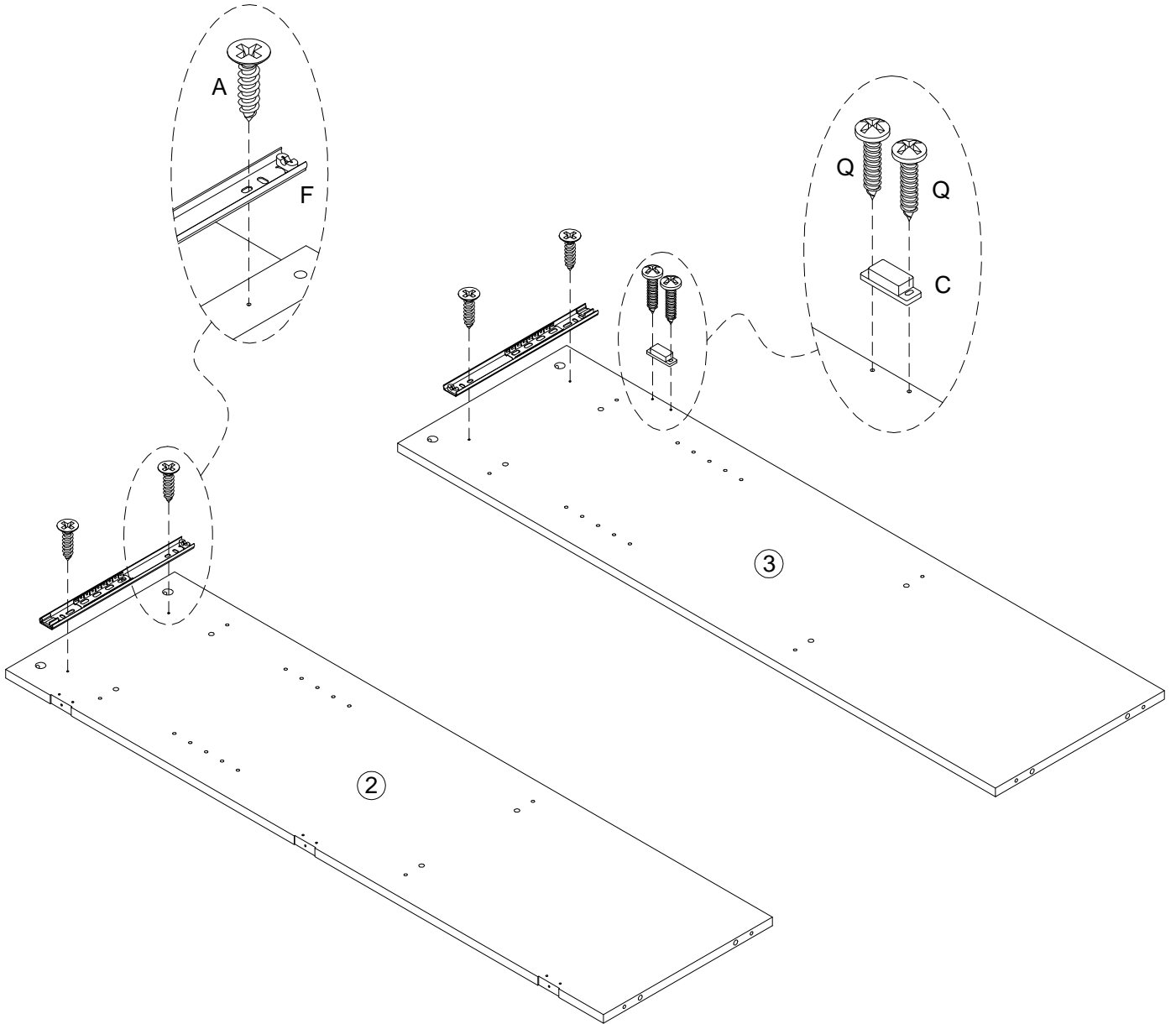


Push the plastic film up, then pull out the drawer slide inner

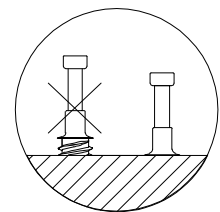
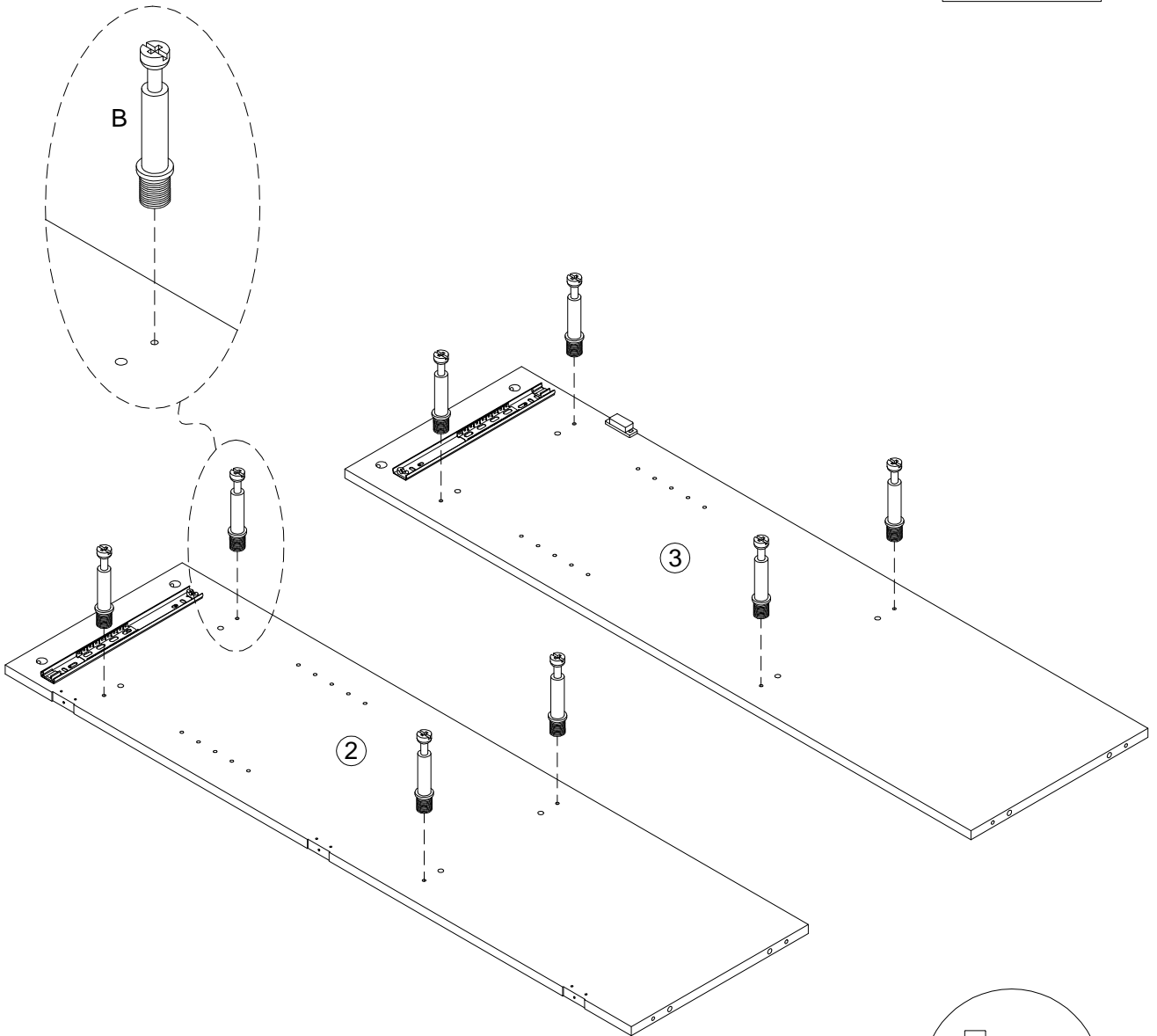
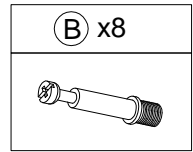


Step 2

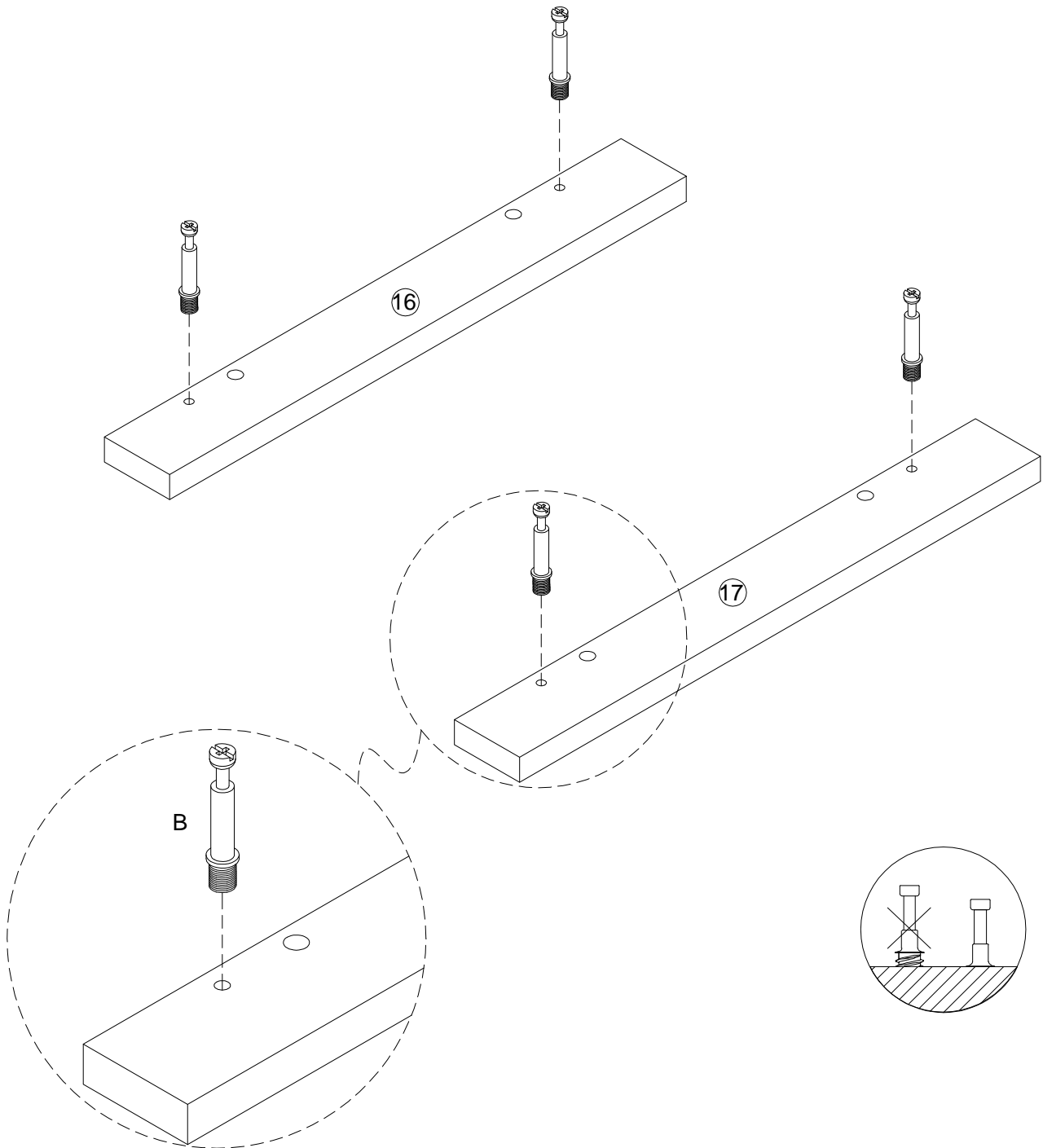
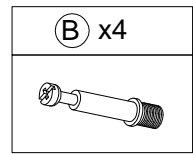
A x4	C x1	F Drawer Slide Outer x2	Q x2
			





Step 3

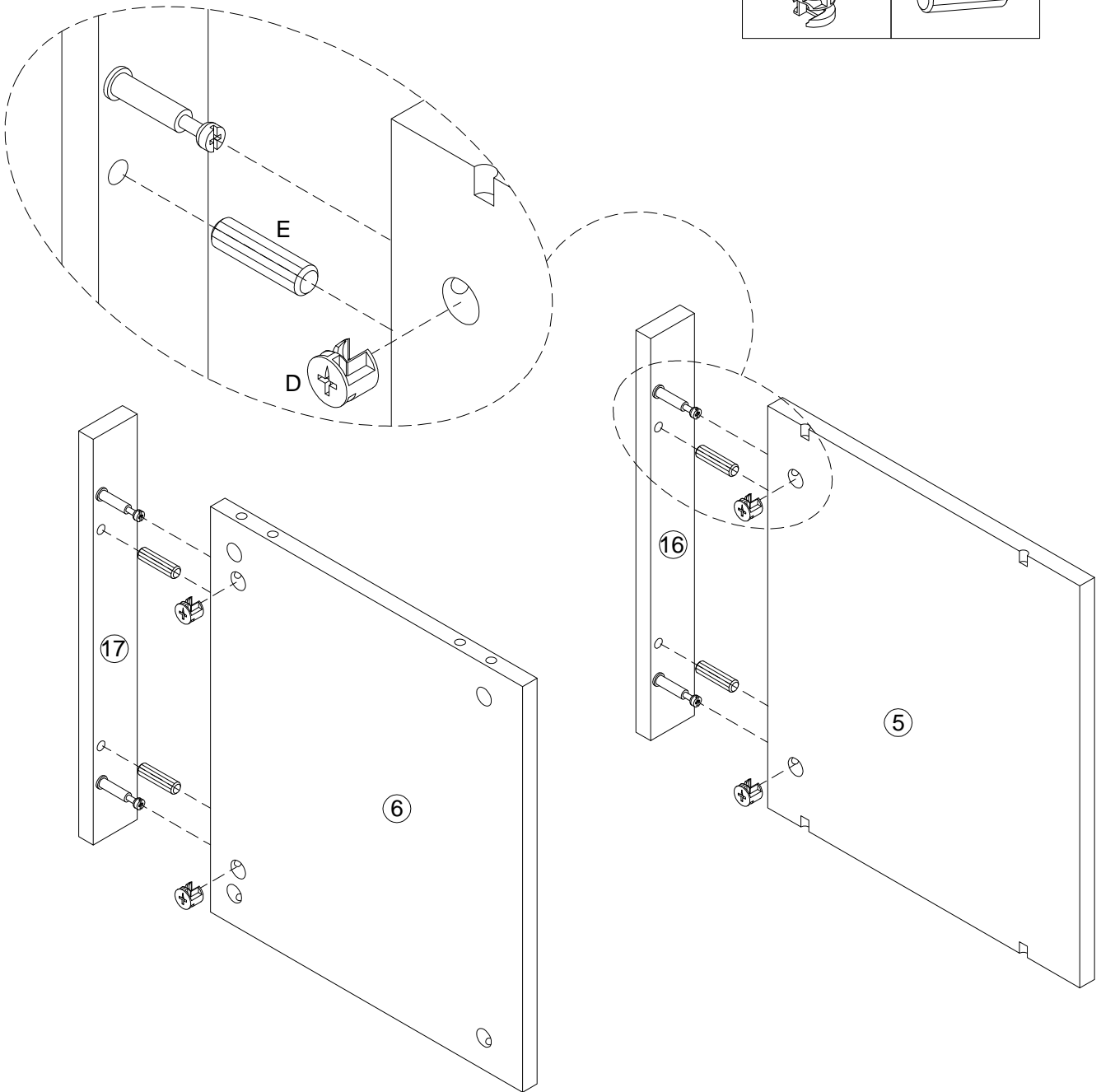


Step 4





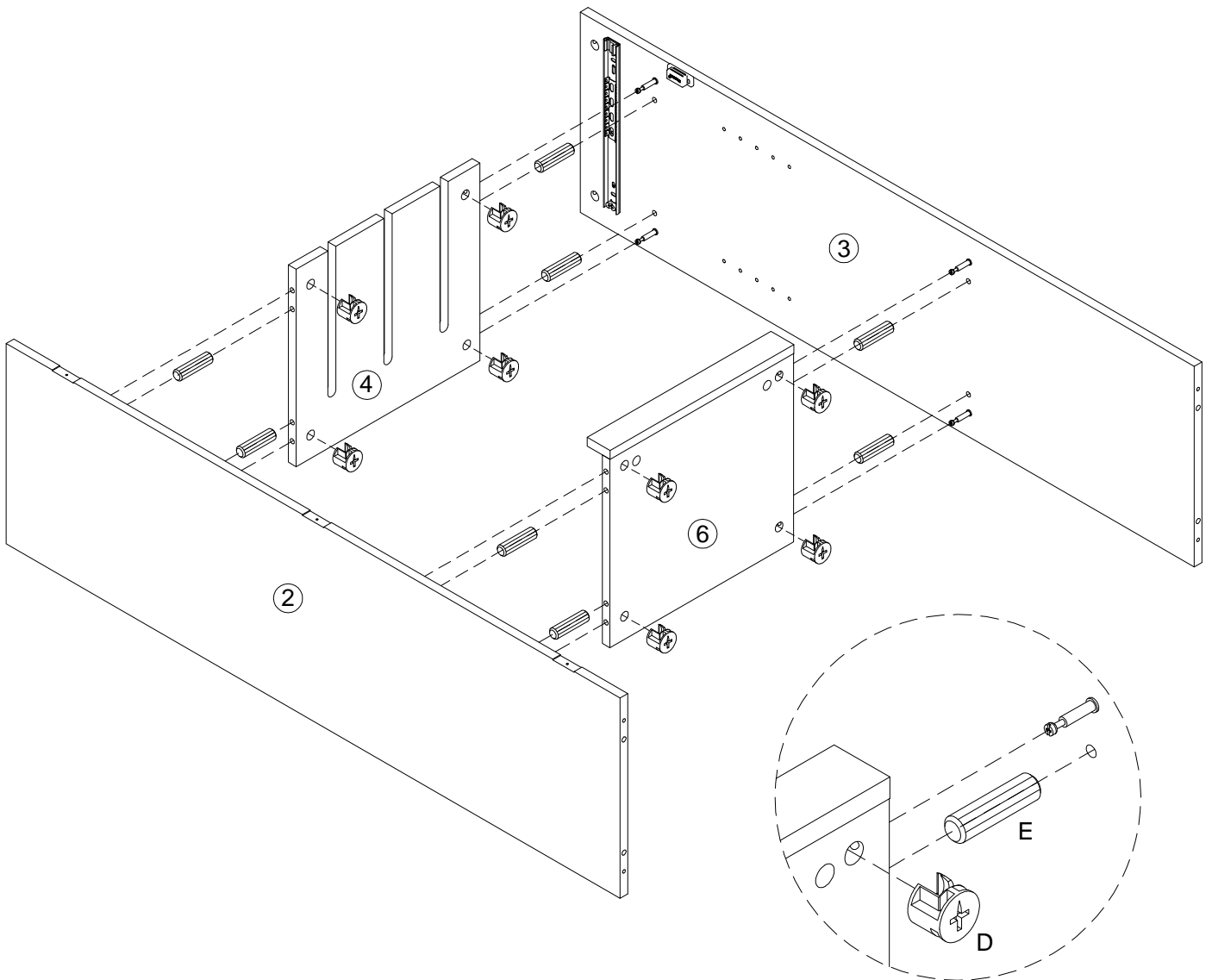
Step 5

ⓓ x4	ⓔ x4
	





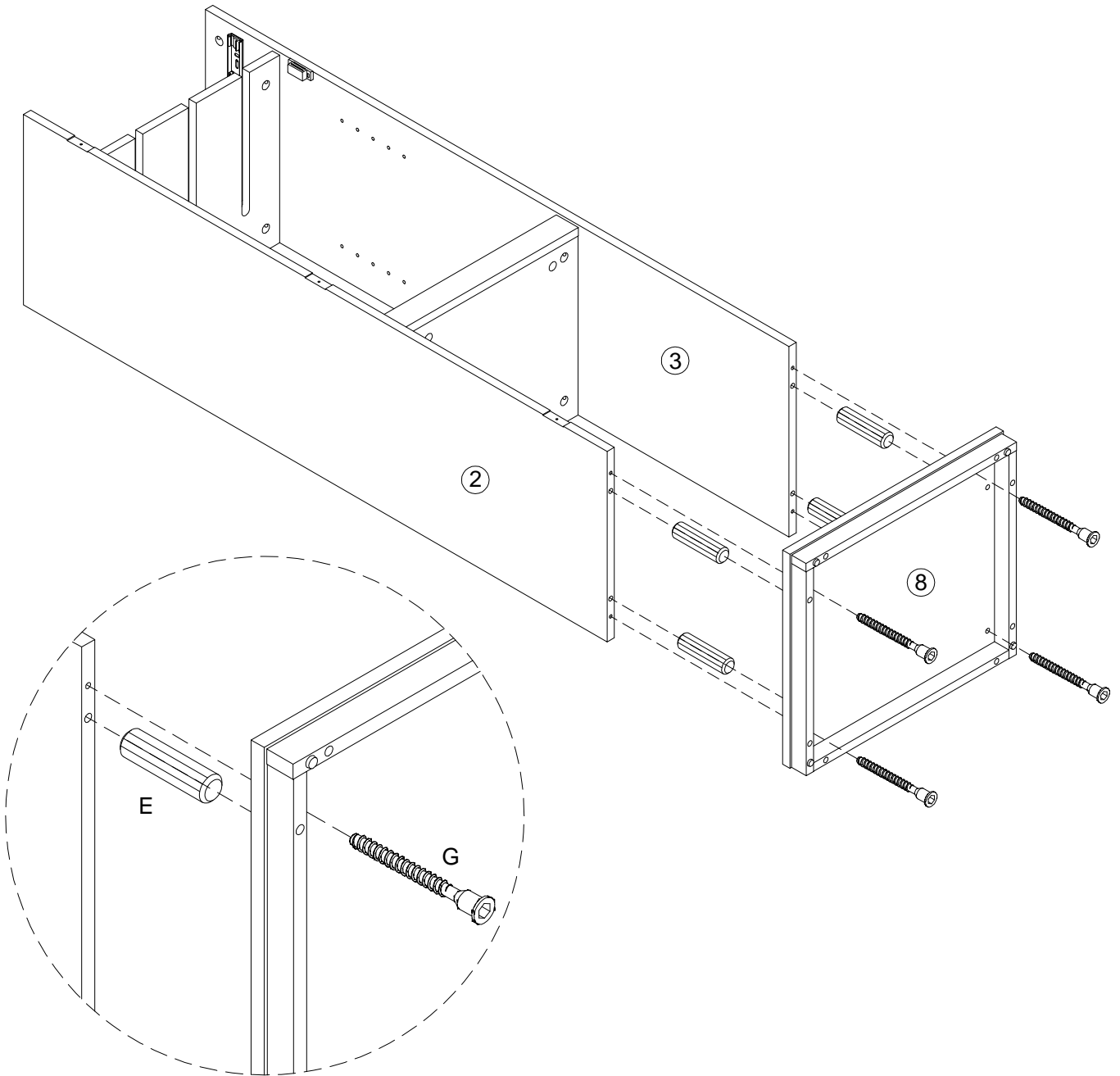
Step 6

ⓓ x8	ⓔ x8
	

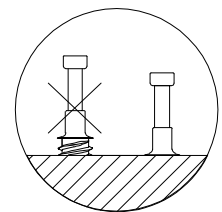
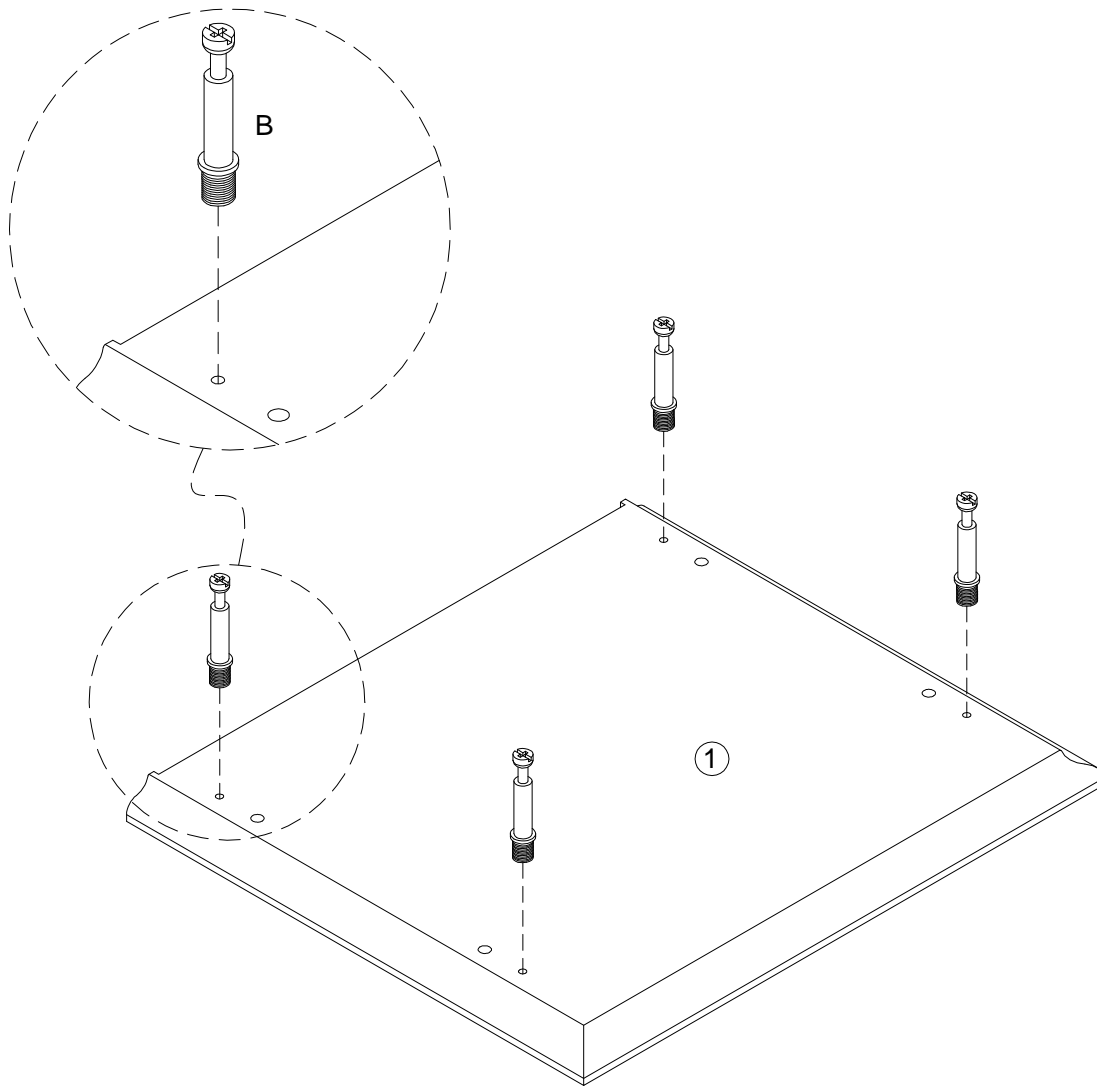
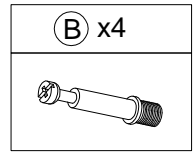


Step 7



E x4	G x4
	

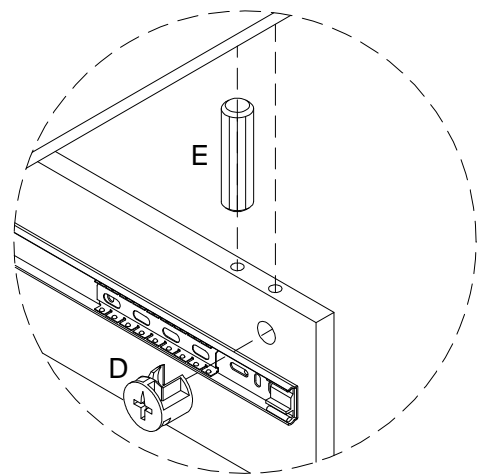
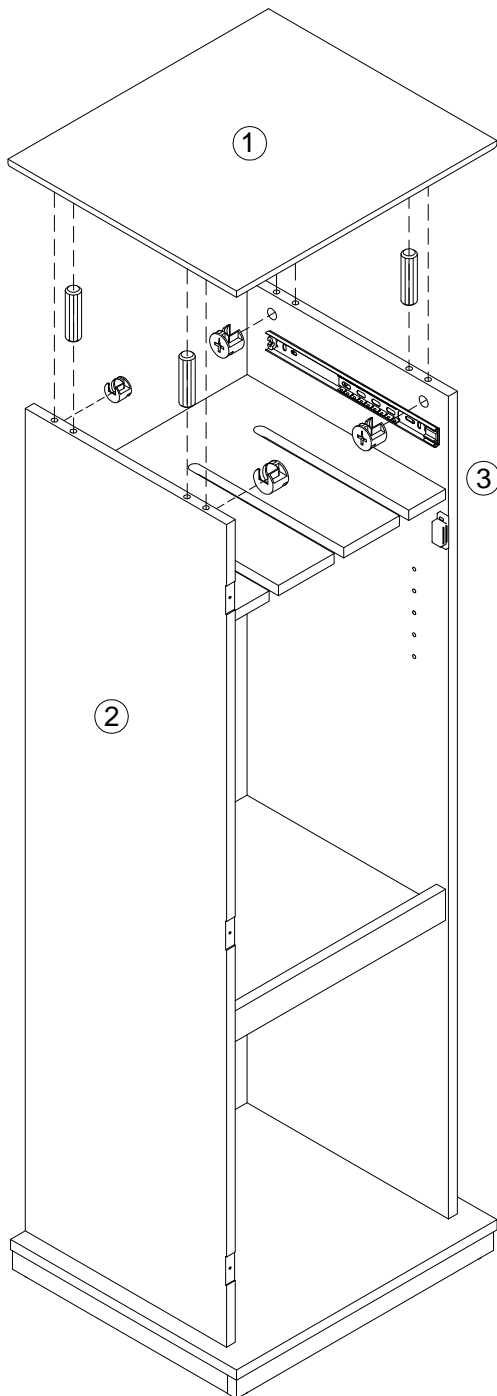


Step 8

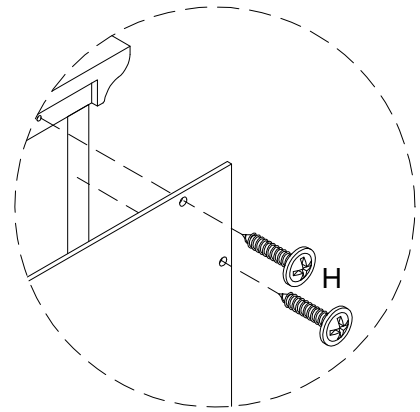
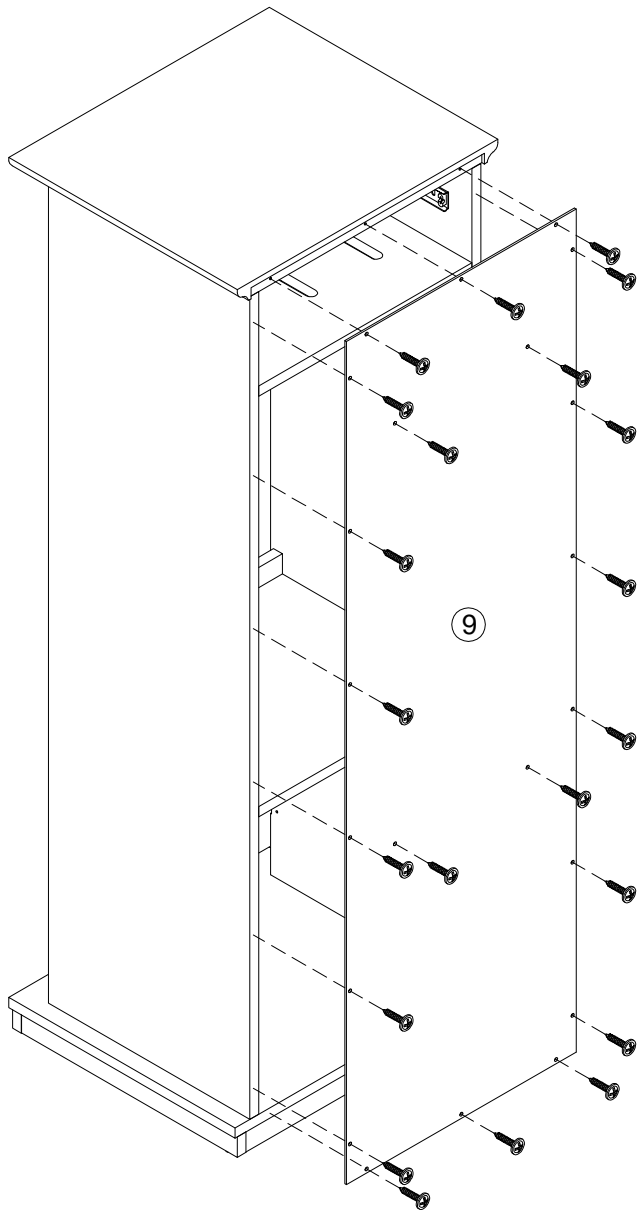
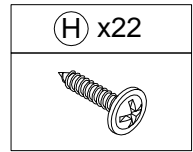


Step 9

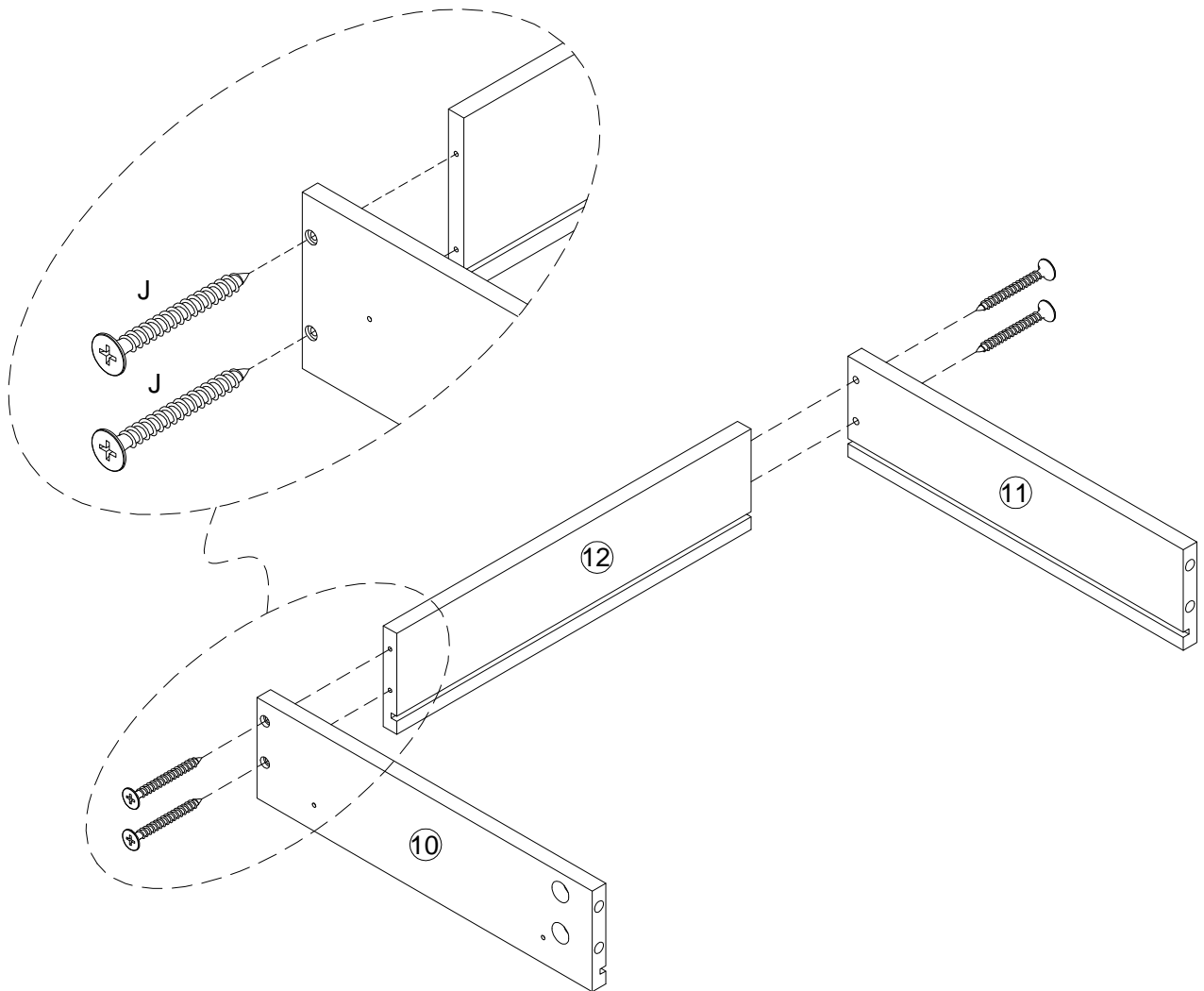
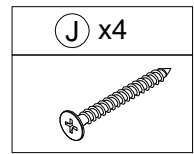
Ⓓ x4	Ⓔ x4
	



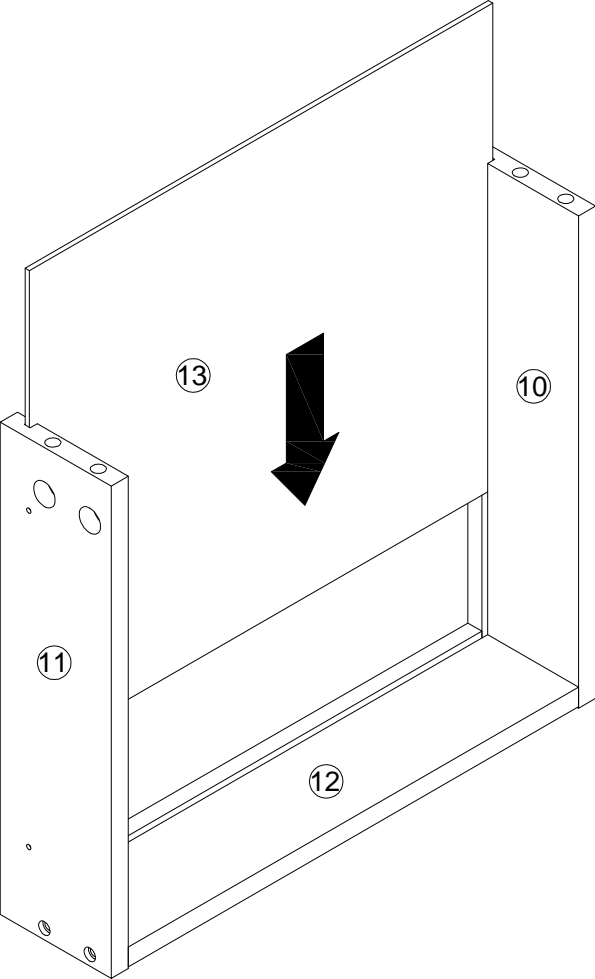
Step 10



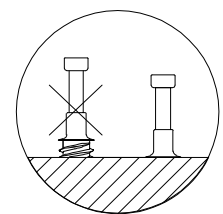
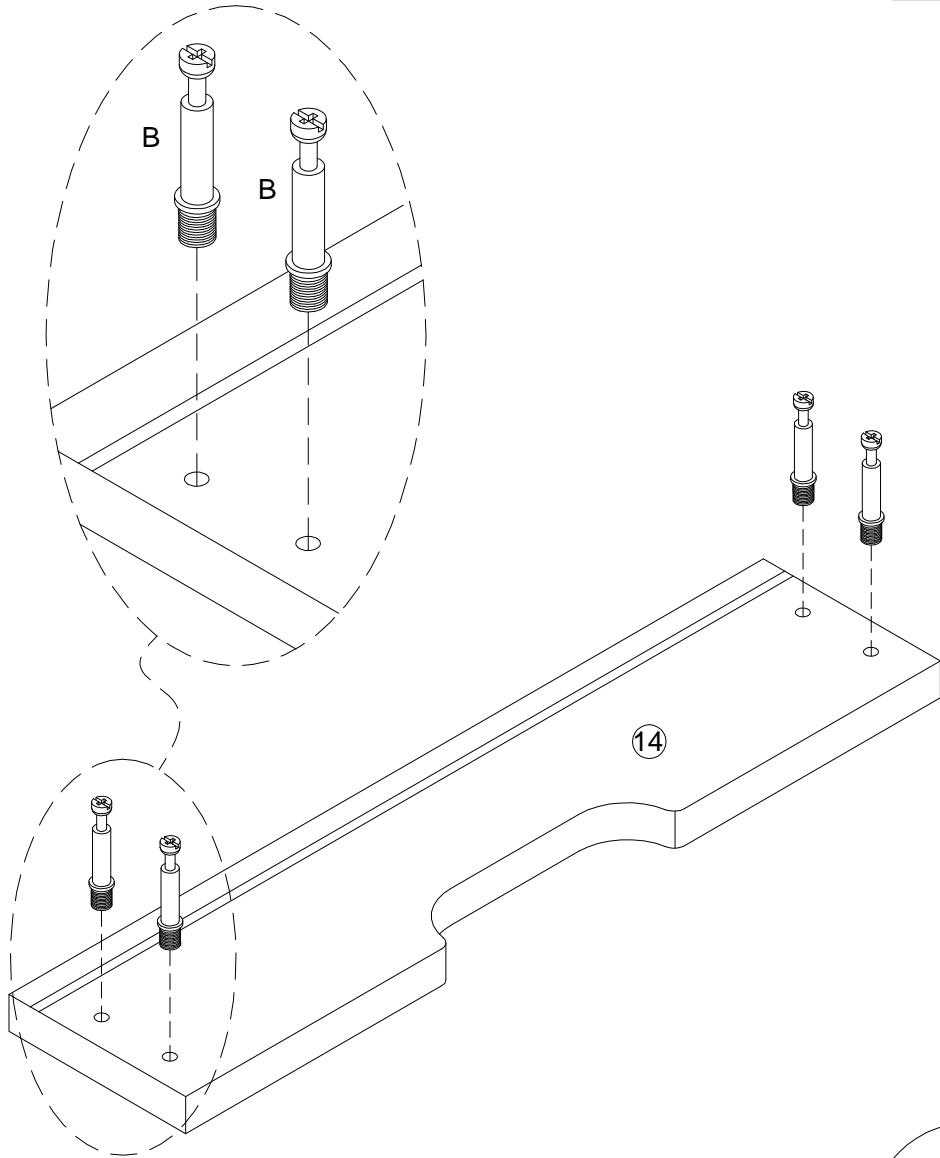
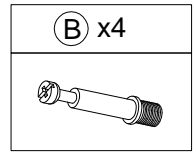
Step 11



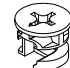

Step 12

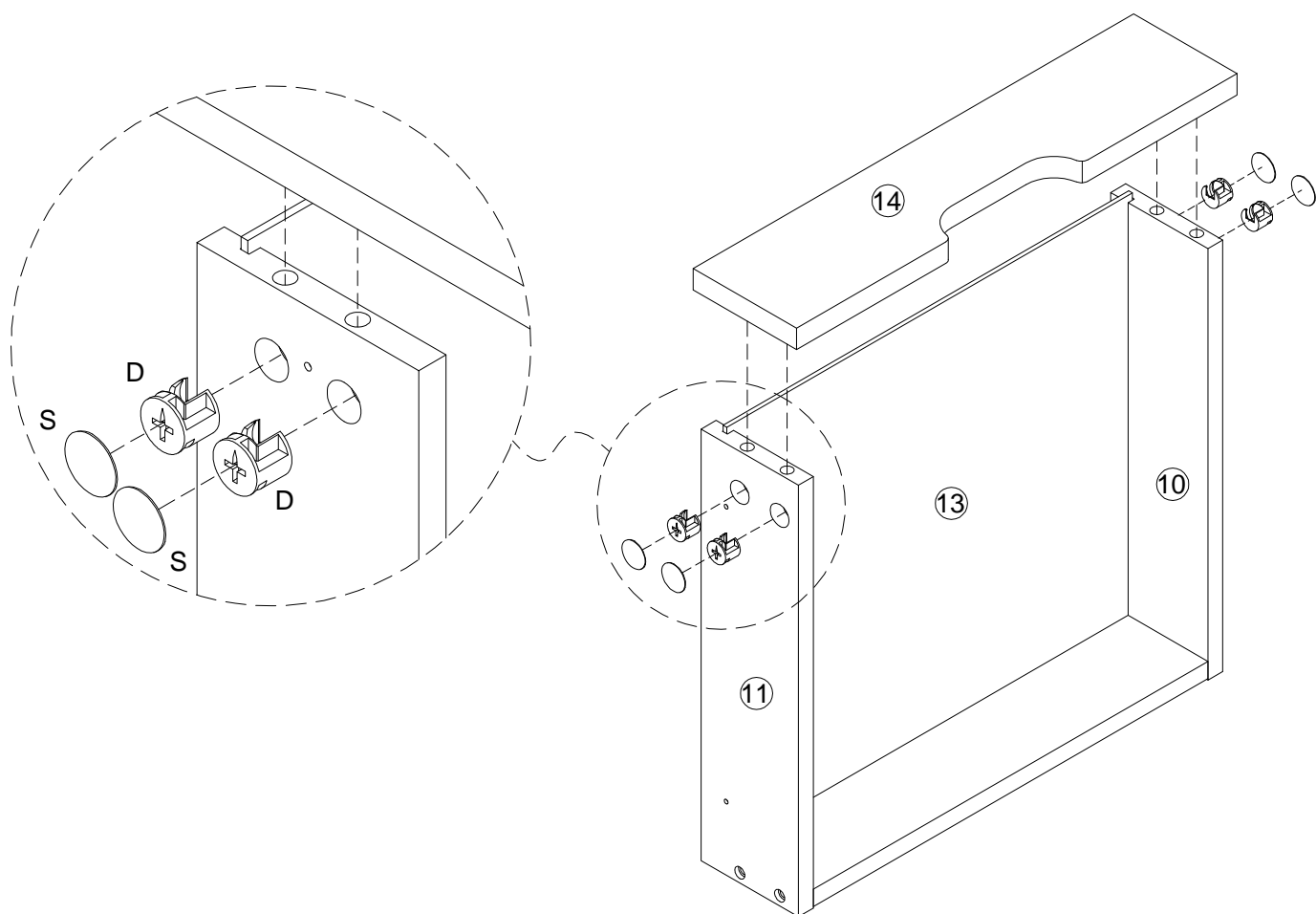


Step 13





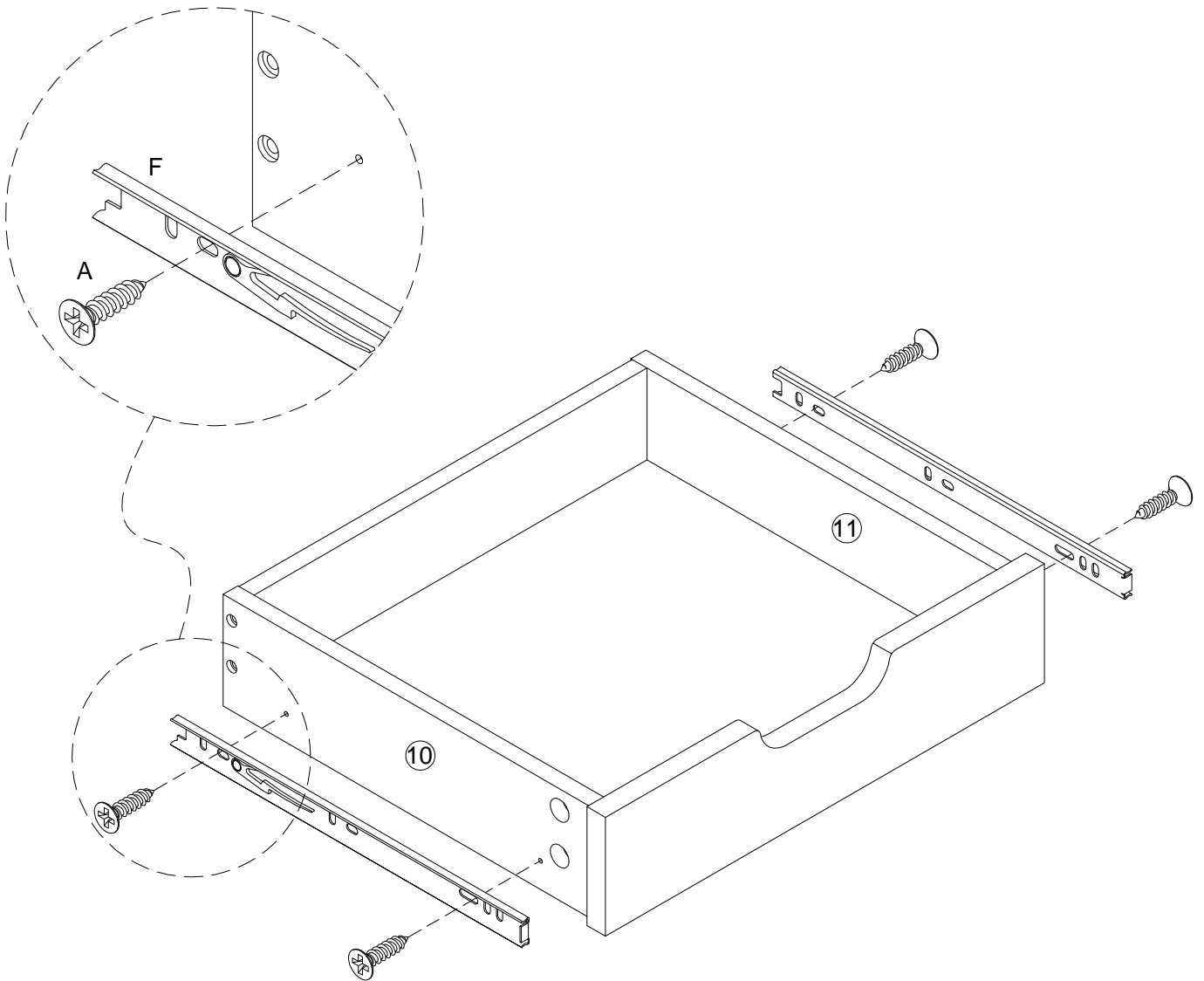
Step 14

ⓓ x4	Ⓢ x4
	

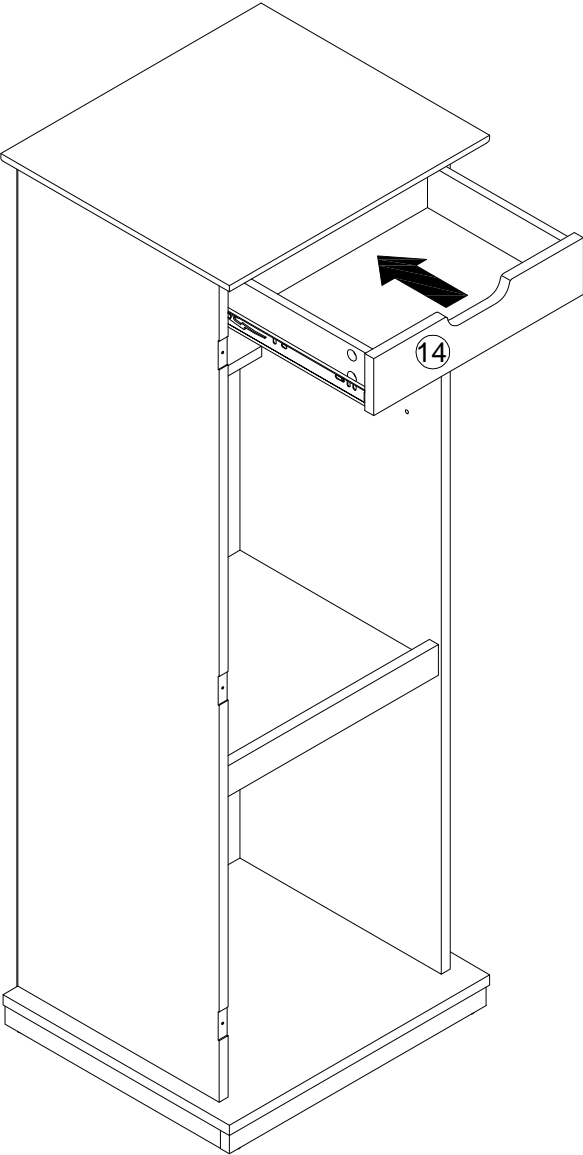


Step 15

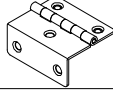

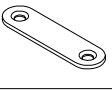
(A) x4	(F) Drawer Slide Inner x2
	

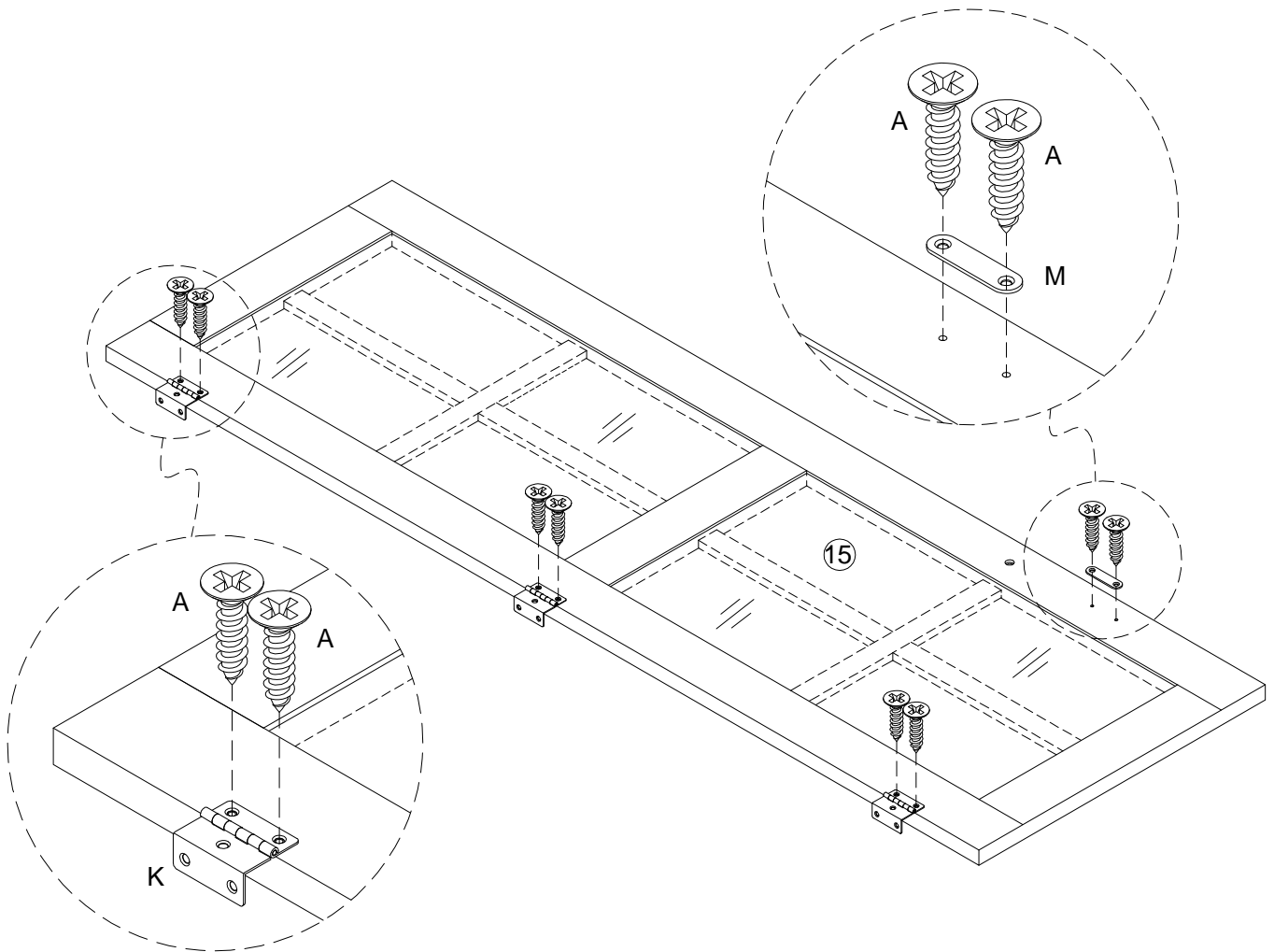


Step 16

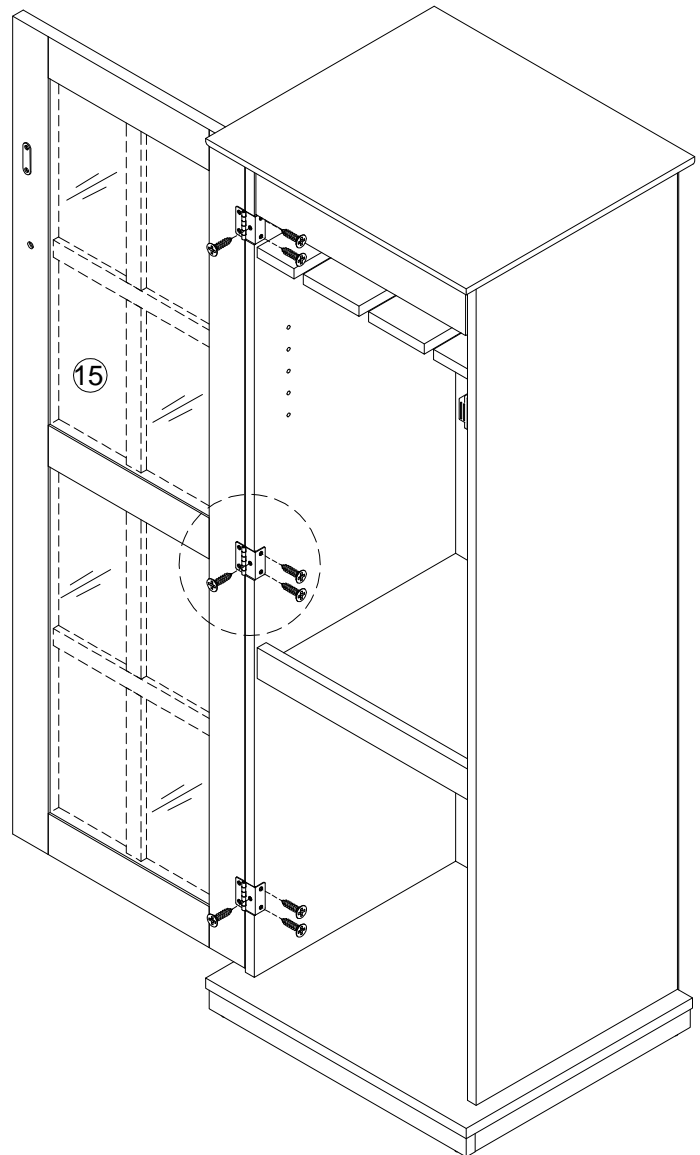
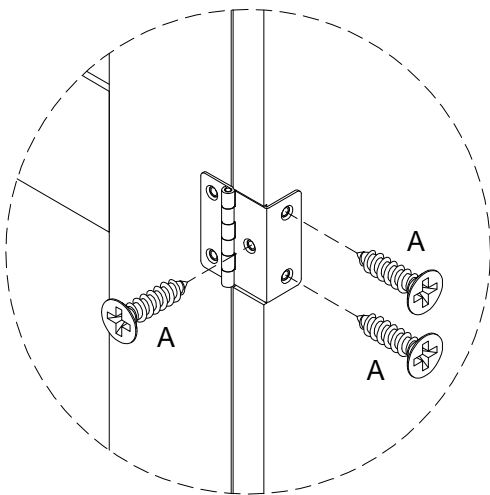
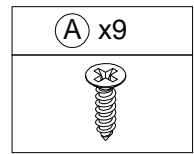


Step 17



K x3	A x8	M x1
		

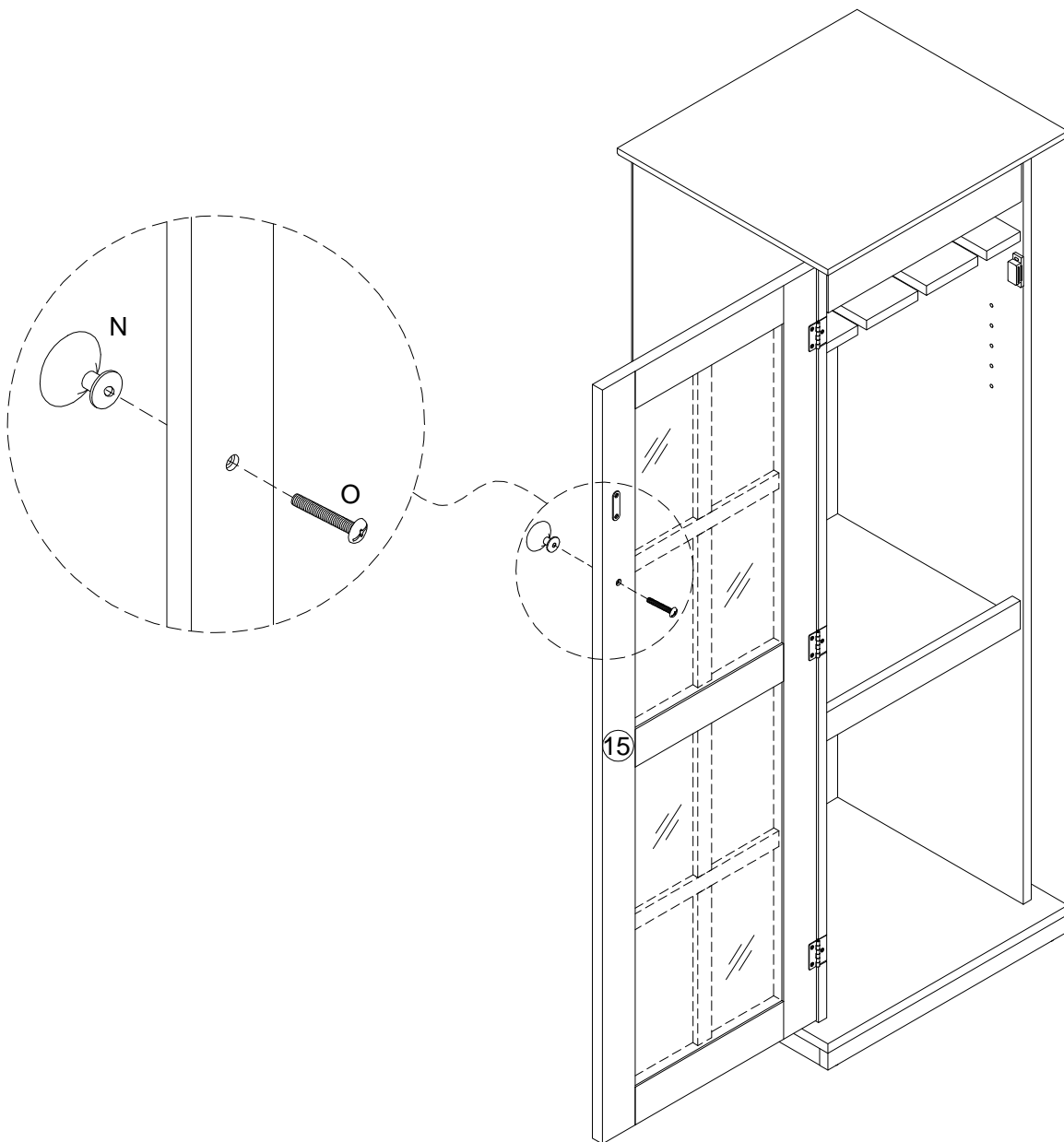


Step 18

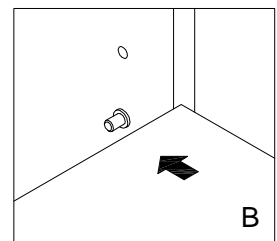
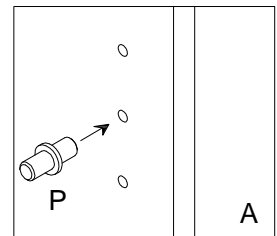
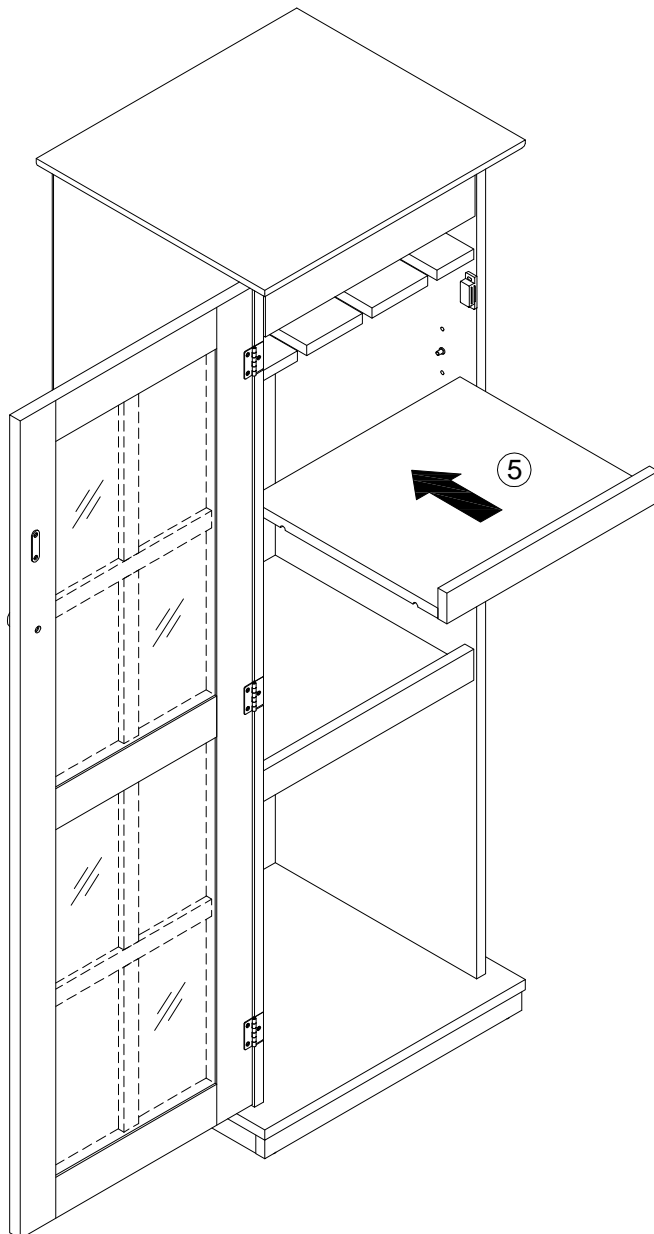
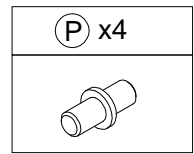


Step 19

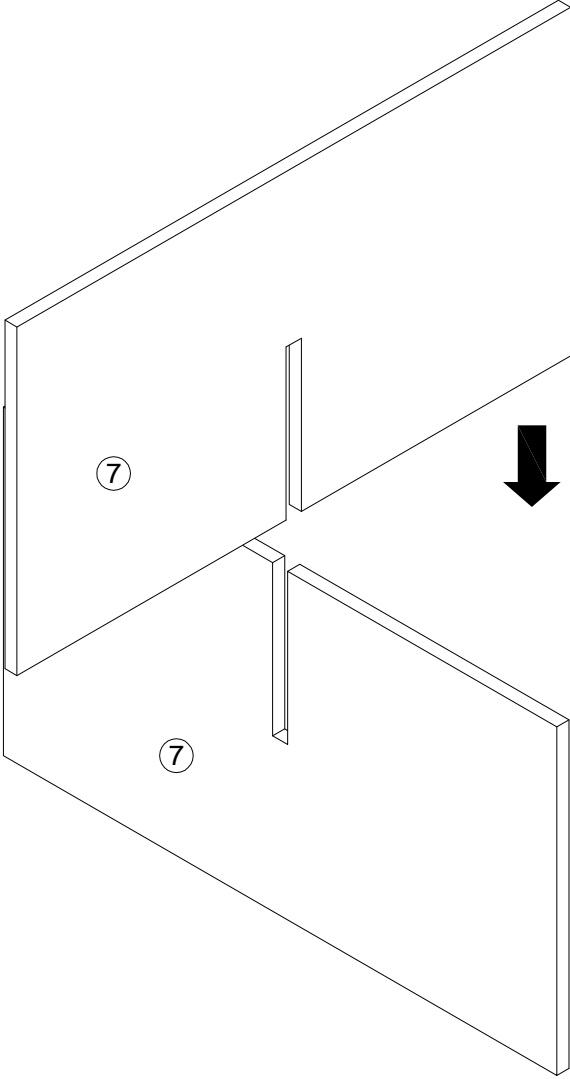
N x1	O x1
	



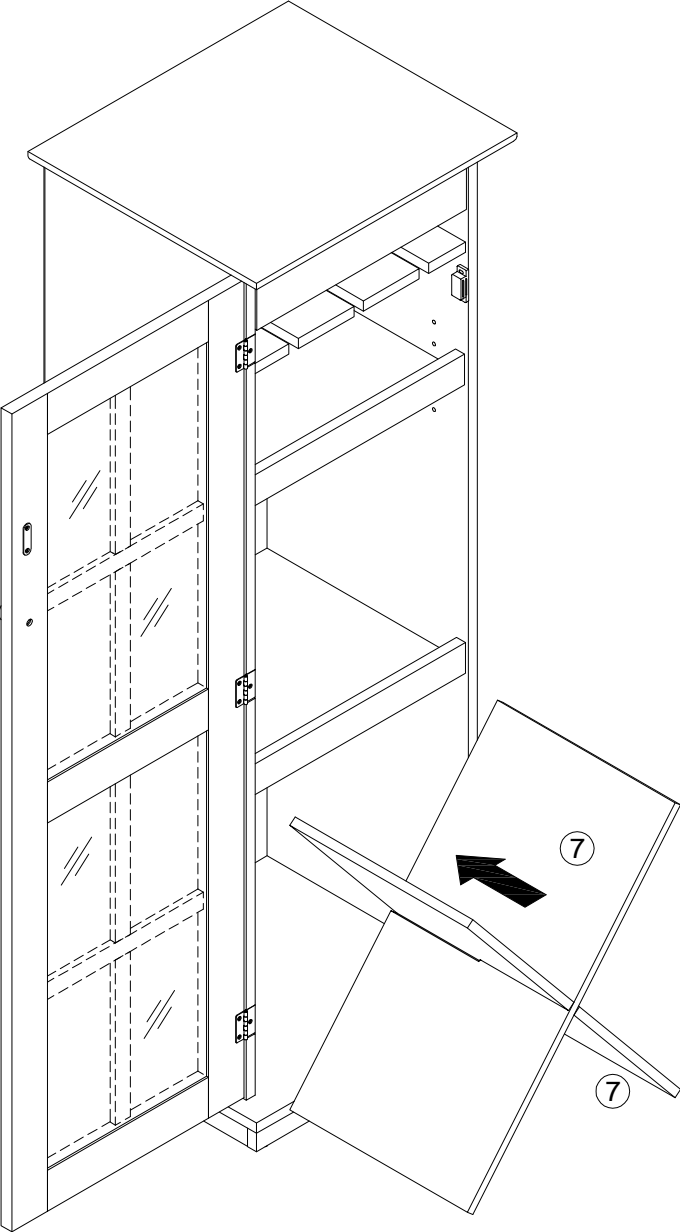
Step 20



Step 21



Step 22



Step 23

