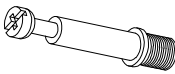
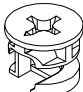
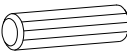
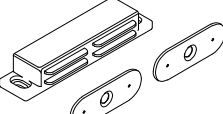

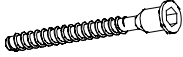


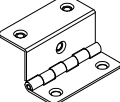
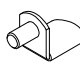
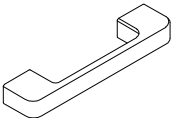
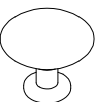

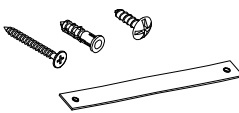
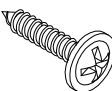


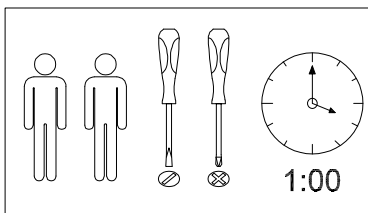


PLEASE READ ALL INSTRUCTIONS BEFORE ASSEMBLY.

Unpack all parts from Styrofoam and bubble wrap inside the carton to ensure there are no missing or damaged parts. If any parts are missing or damaged, do not attempt to assemble or use the product.

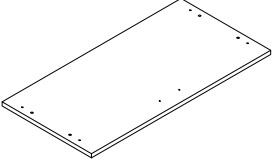
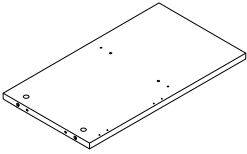
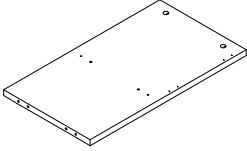
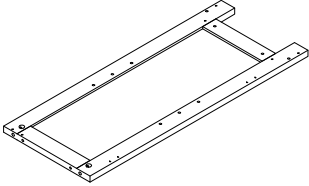
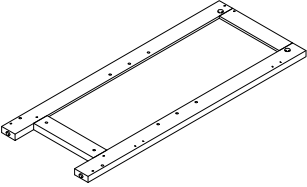
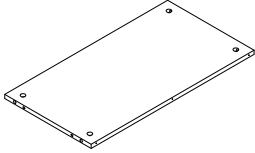
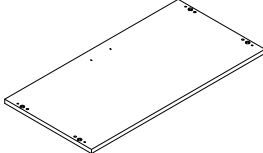
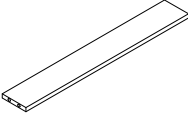
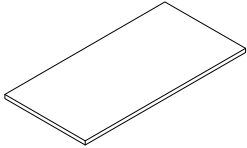
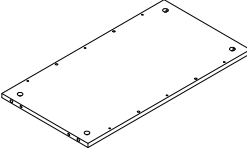
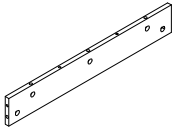
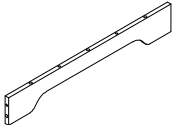
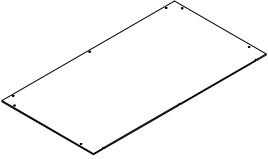
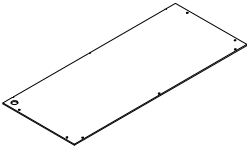
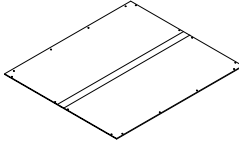
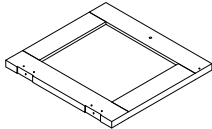
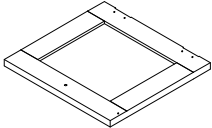
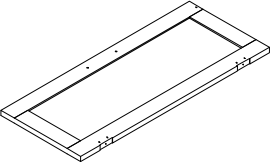
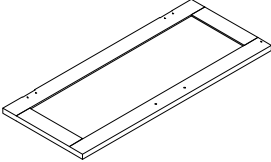
Hardware:

Ⓐ x30+3	Ⓑ x30+3	Ⓒ x28+2	Ⓓ x2	Ⓔ x4+1
 Ø6x35 mm	 Ø15x10 mm	 Ø6x30 mm		 Ø6xØ3x12 mm
Ⓕ x4+1	Ⓖ x1	Ⓗ x44+3	Ⓙ x8	Ⓚ x4+1
 Ø7x40 mm	 #4	 Ø7xØ3.5x14 mm		
Ⓛ x2	Ⓜ x2	Ⓝ x6+1	Ⓞ x2	Ⓟ x33+3
		 M4x20 mm		
Ⓡ x8+2	Ⓢ x1			
				

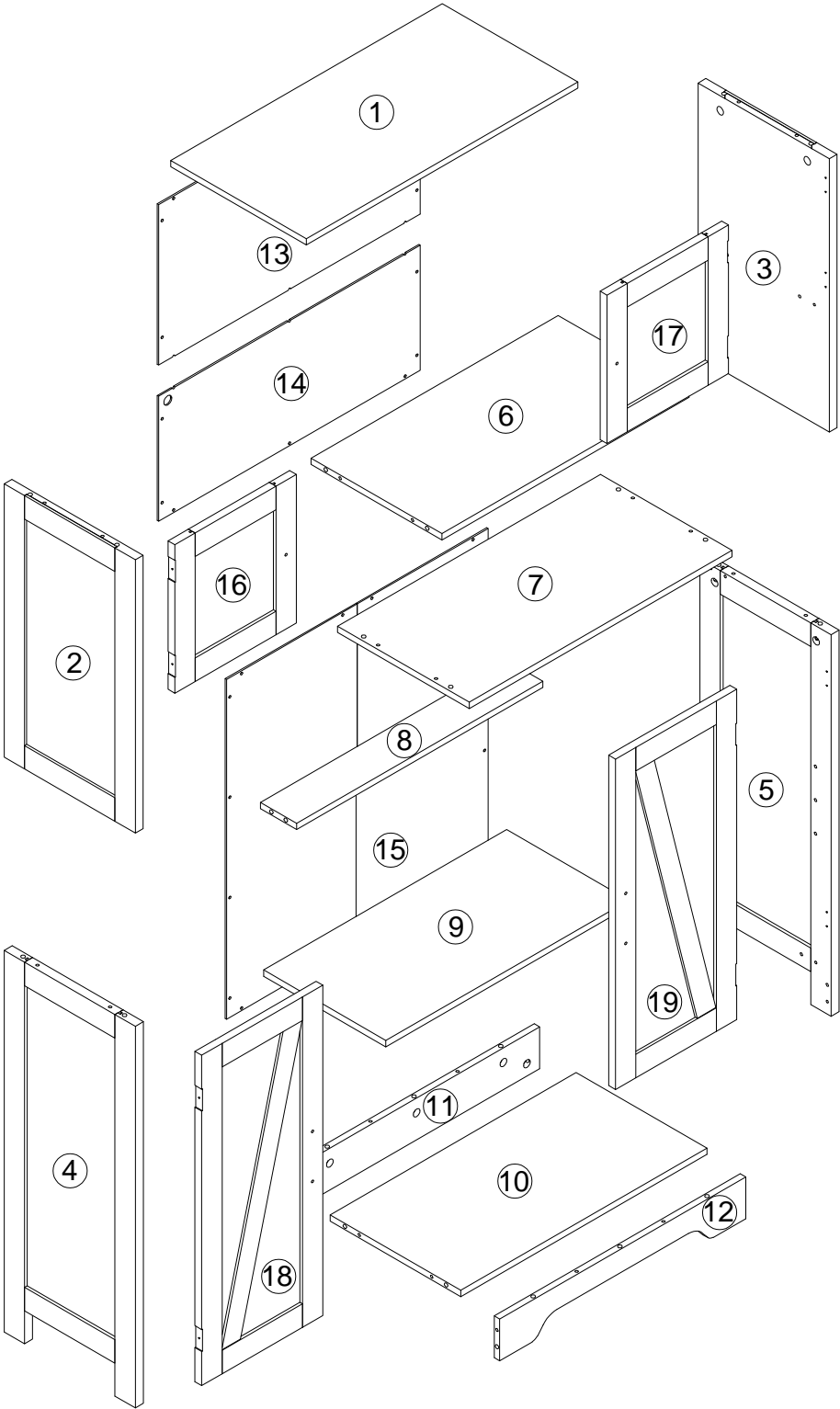


Tools required for assembly: Phillips screwdriver and Flathead Screwdriver (if using power tools, use with care)

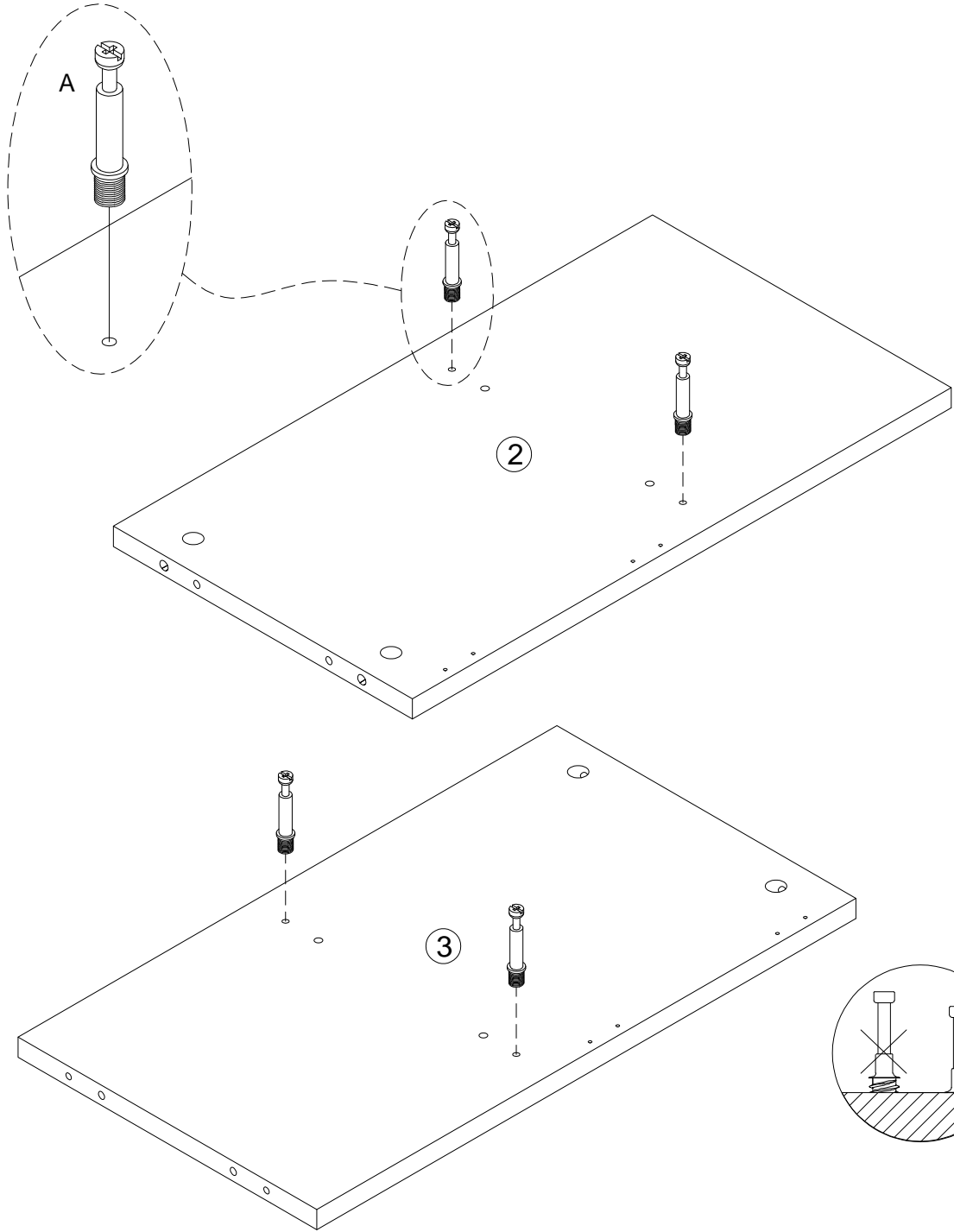
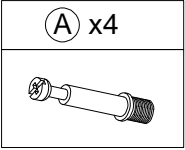
Panels:

① x1	② x1	③ x1	④ x1
			
⑤ x1	⑥ x1	⑦ x1	⑧ x1
			
⑨ x1	⑩ x1	⑪ x1	⑫ x1
			
⑬ x1	⑭ x1	⑮ x1	⑯ x1
			
⑰ x1	⑱ x1	⑲ x1	
			



Panels:

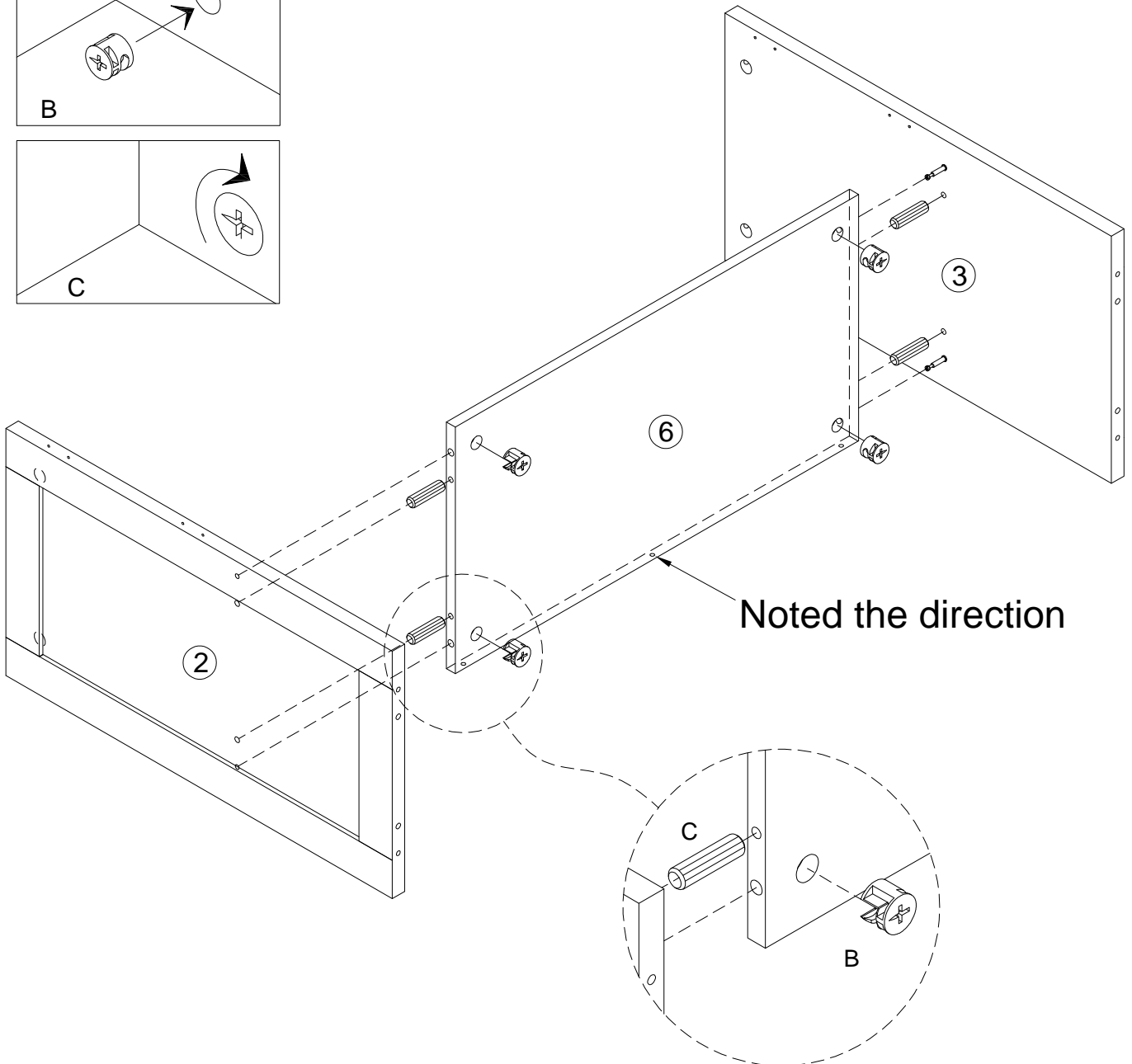
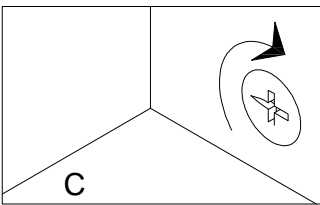
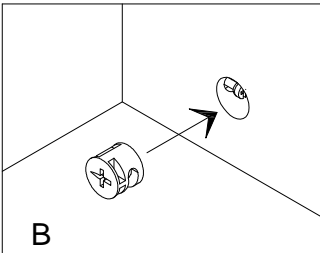
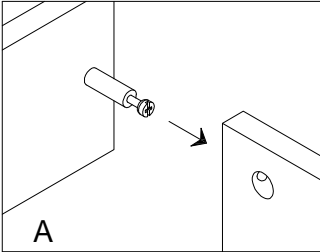


Step 1

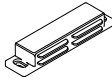



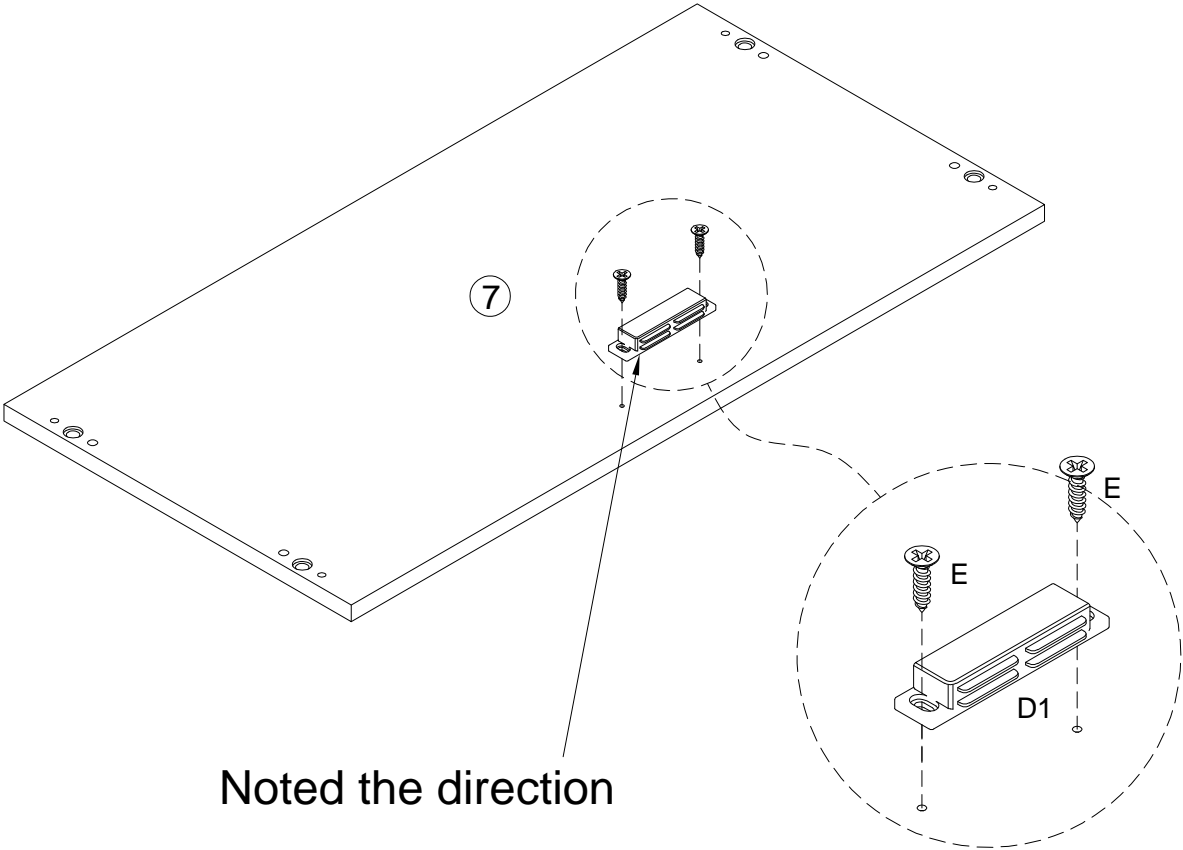
Step 2

Ⓑ x4	Ⓒ x4
	





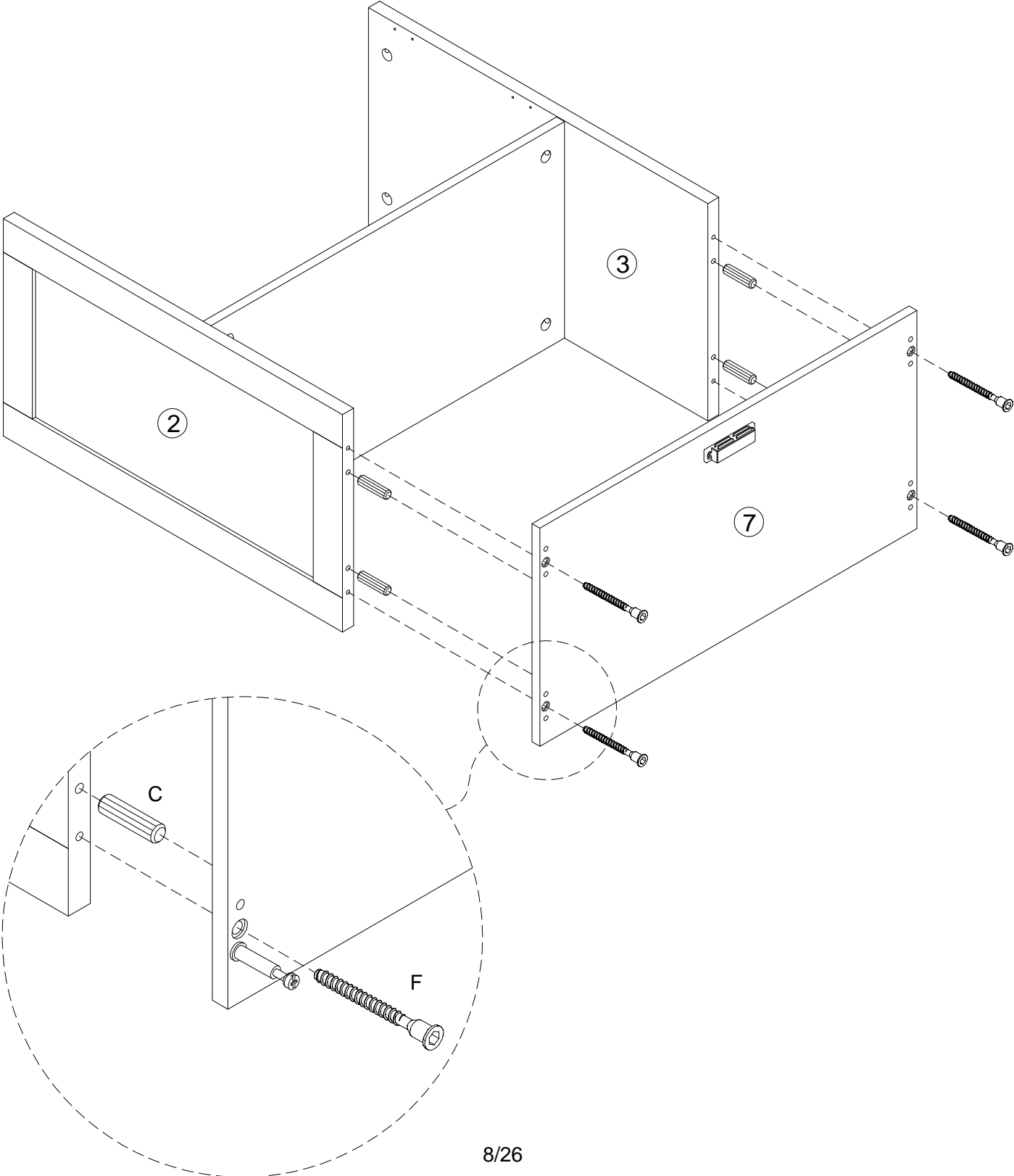
Step 3

ⓓ1 x1	ⓔ x2
	

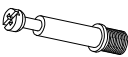
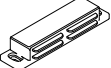



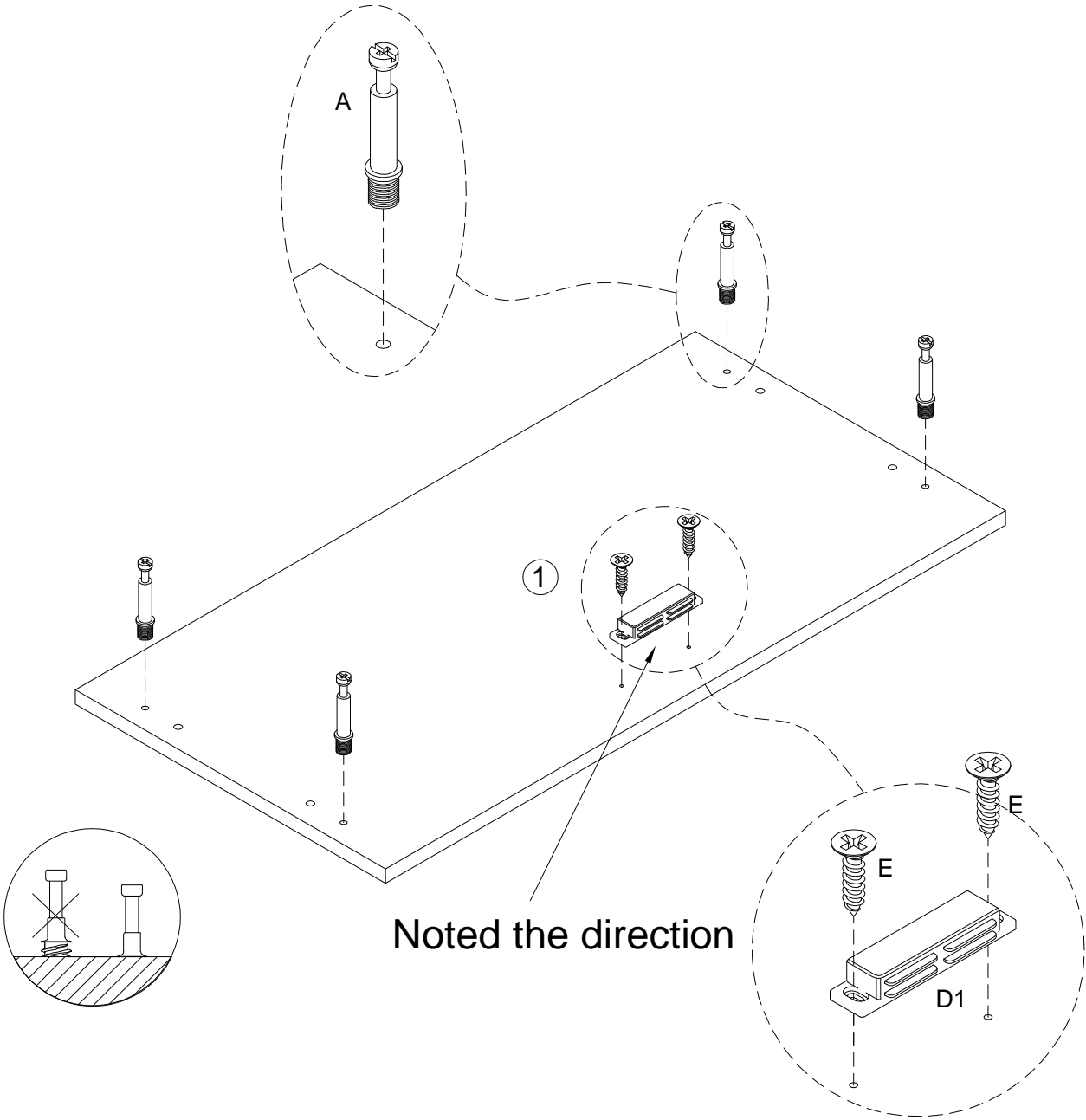
Step 4

Ⓒ x4	Ⓕ x4
	






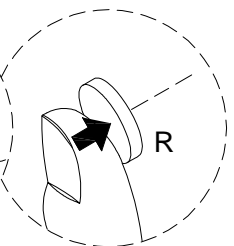
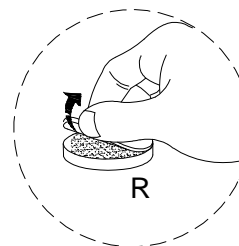
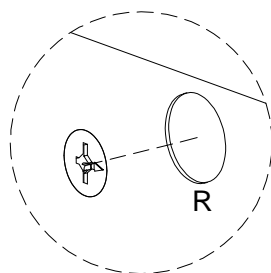
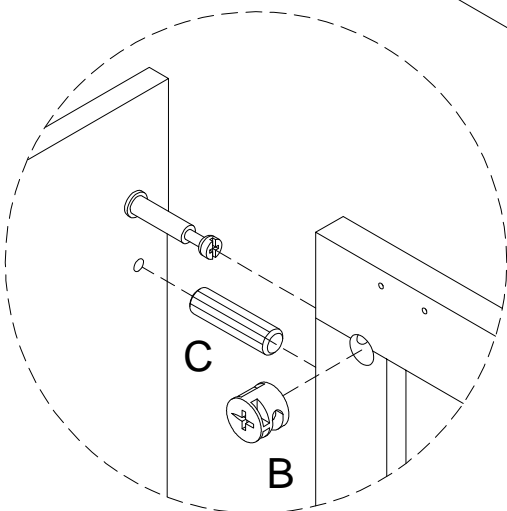
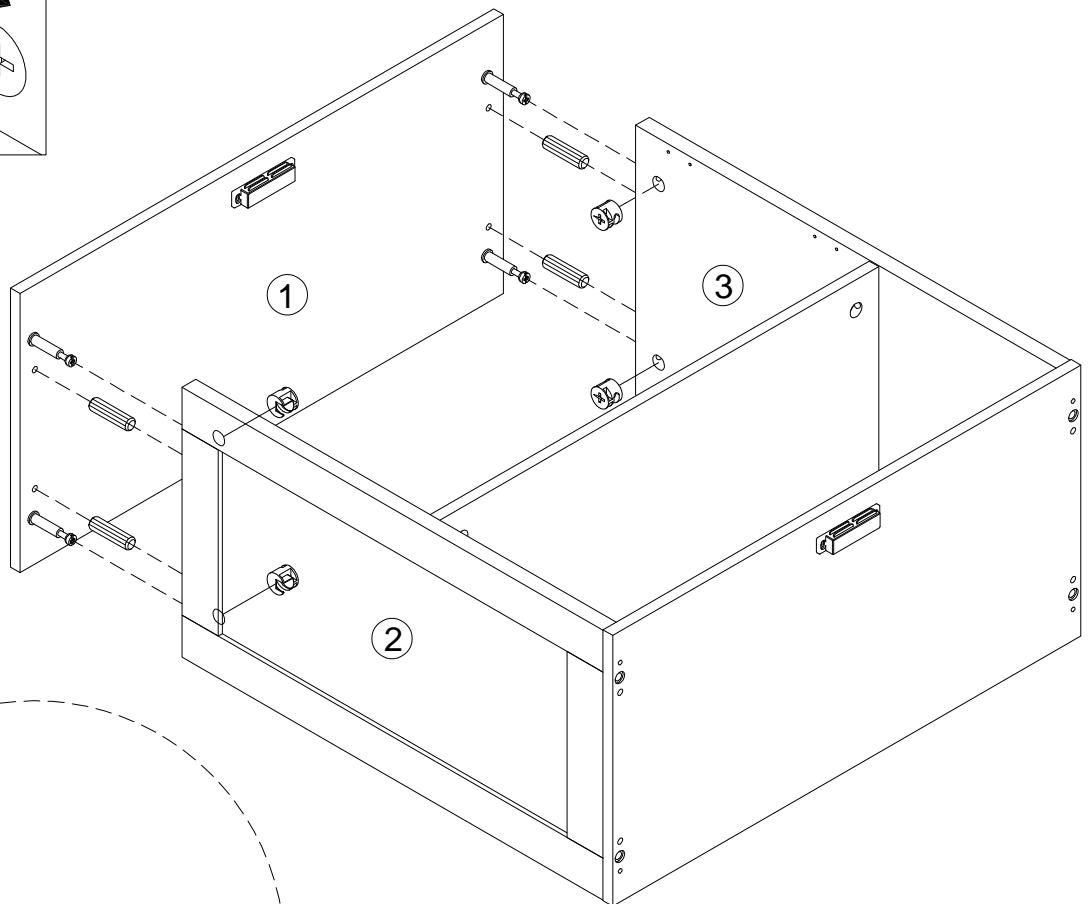
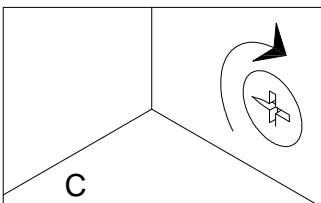
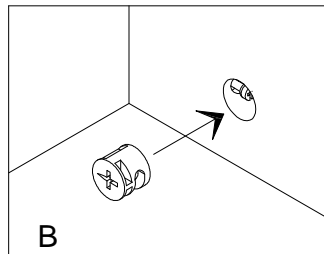
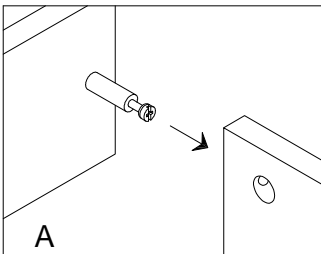
Step 5

Ⓐ x4	Ⓓ1 x1	Ⓔ x2
		

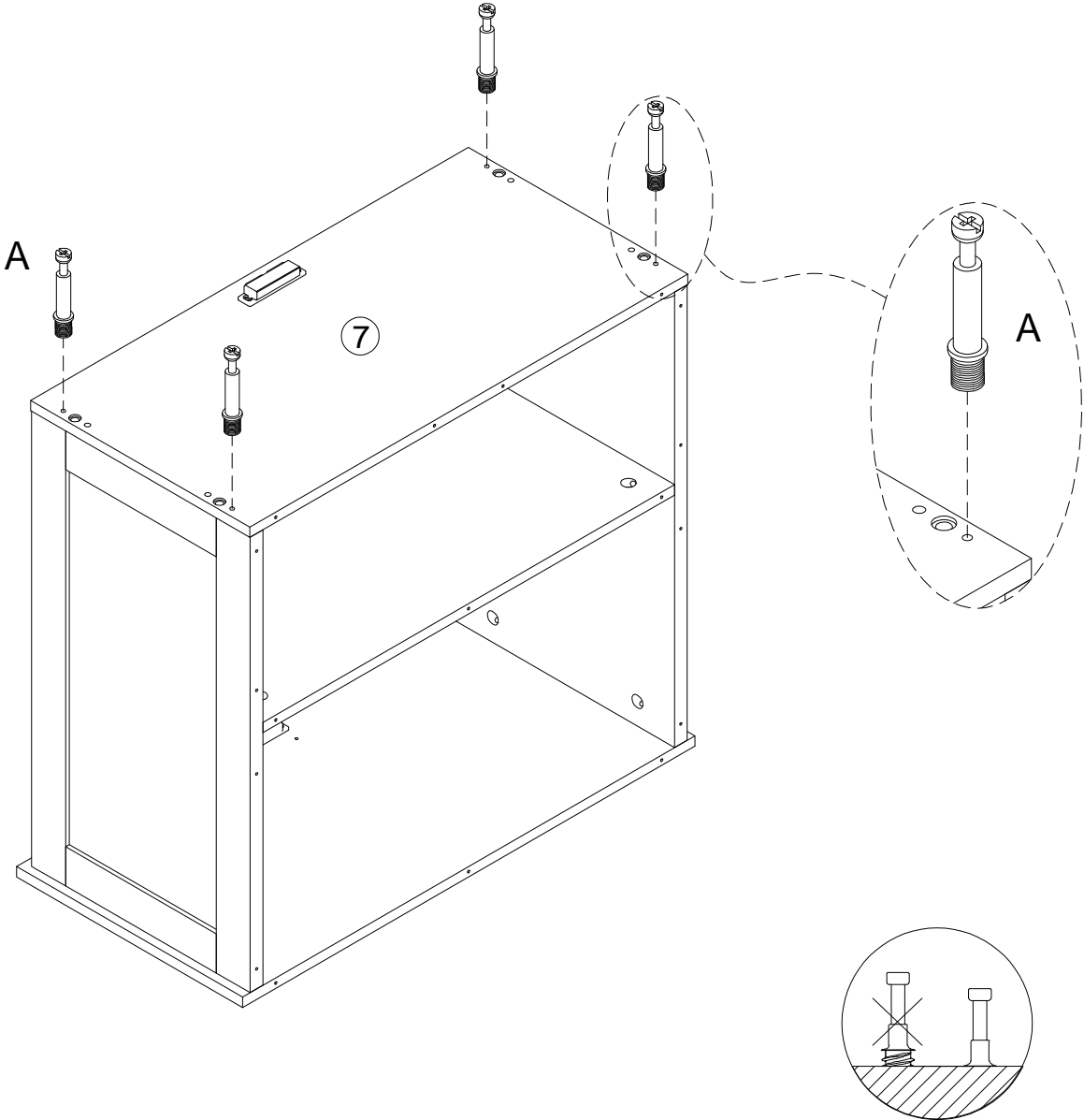
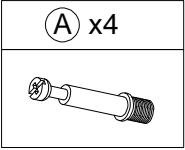


Step 6

Ⓑ x4	Ⓒ x4	Ⓓ x4
		

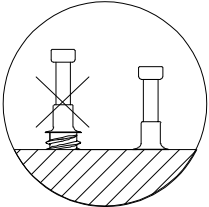
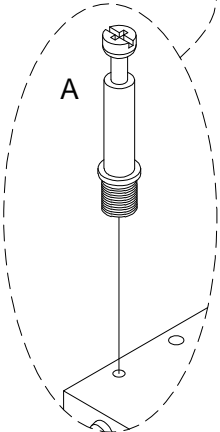
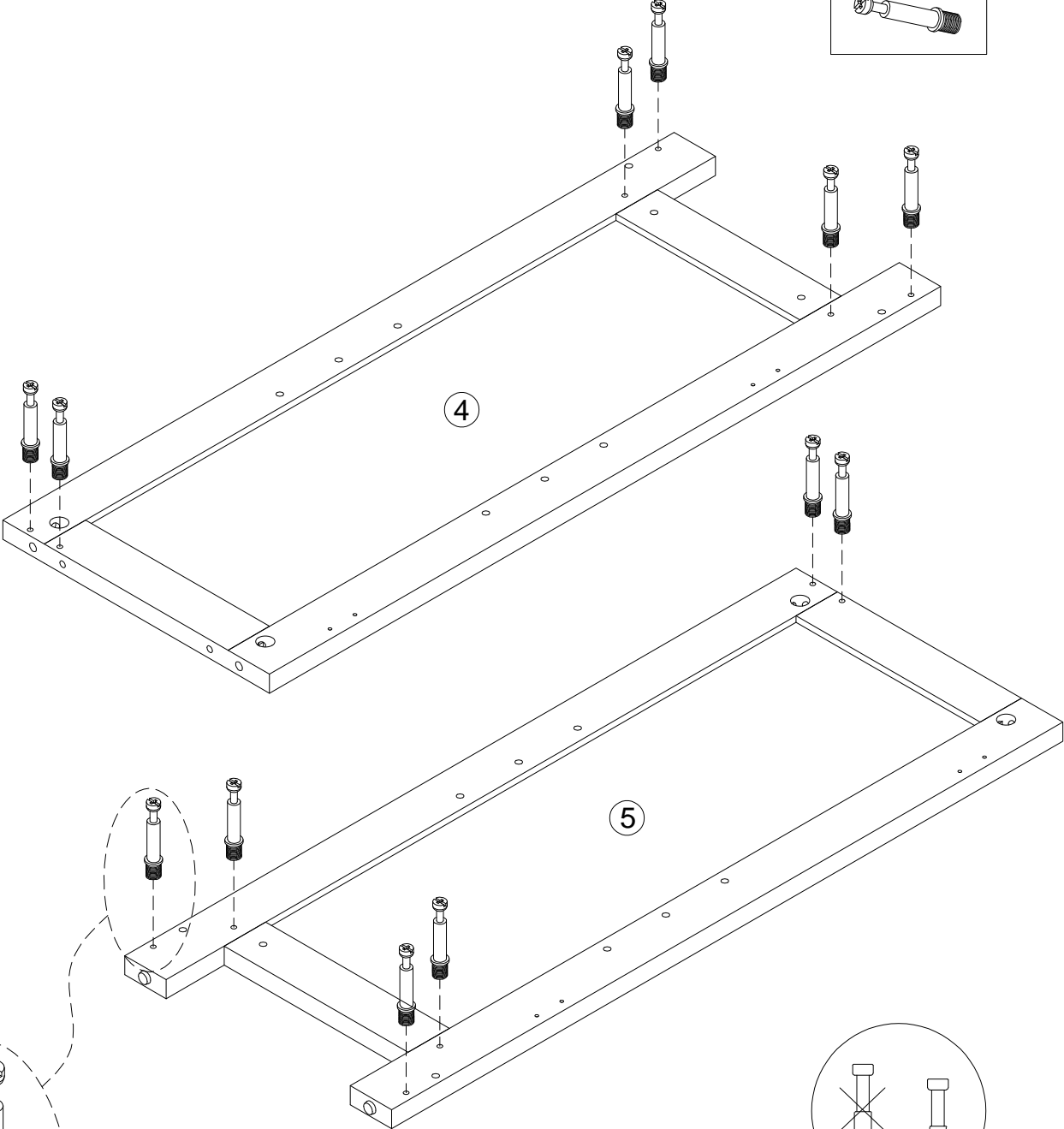
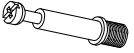


Step 7

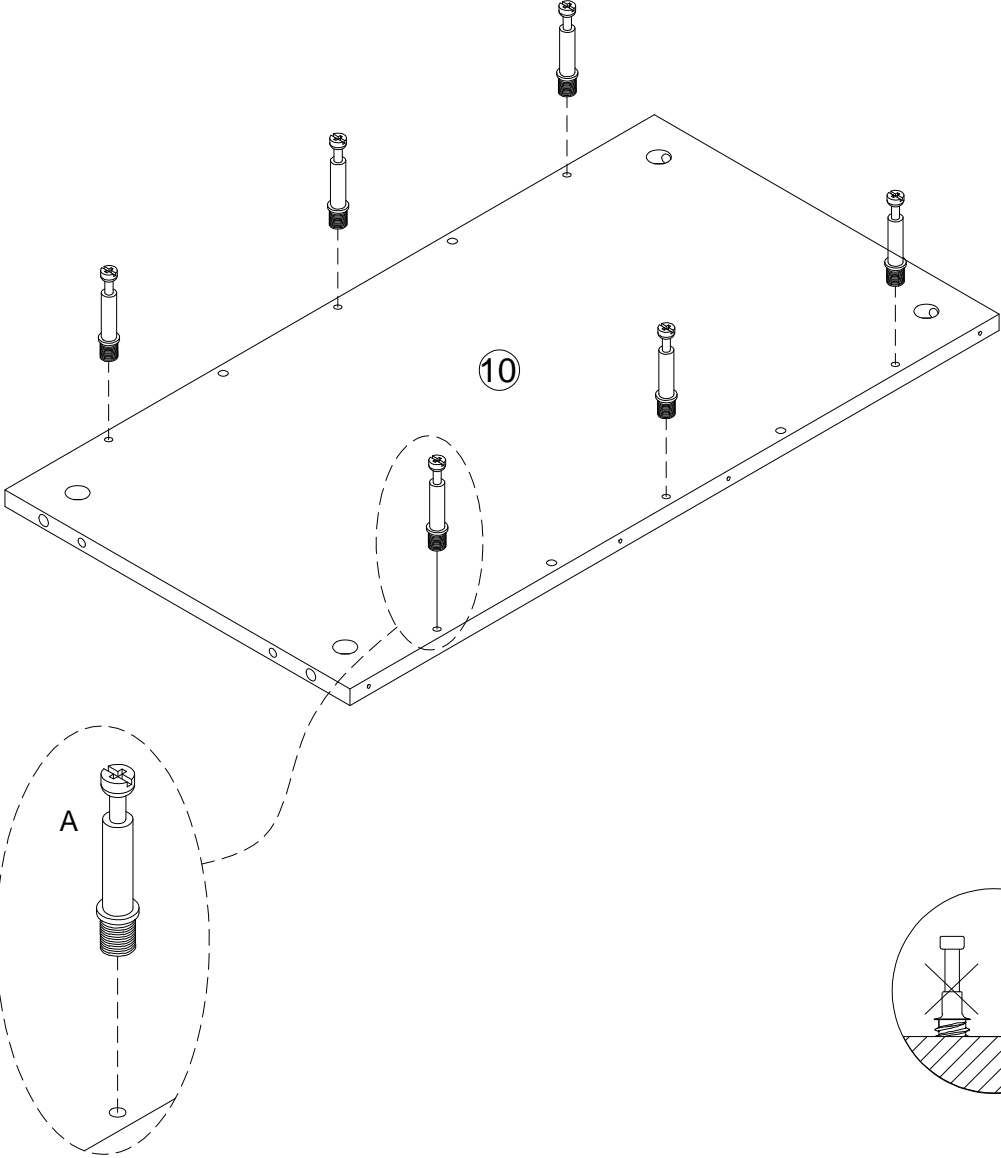
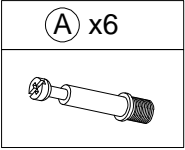


Step 8


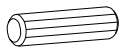
(A) x12

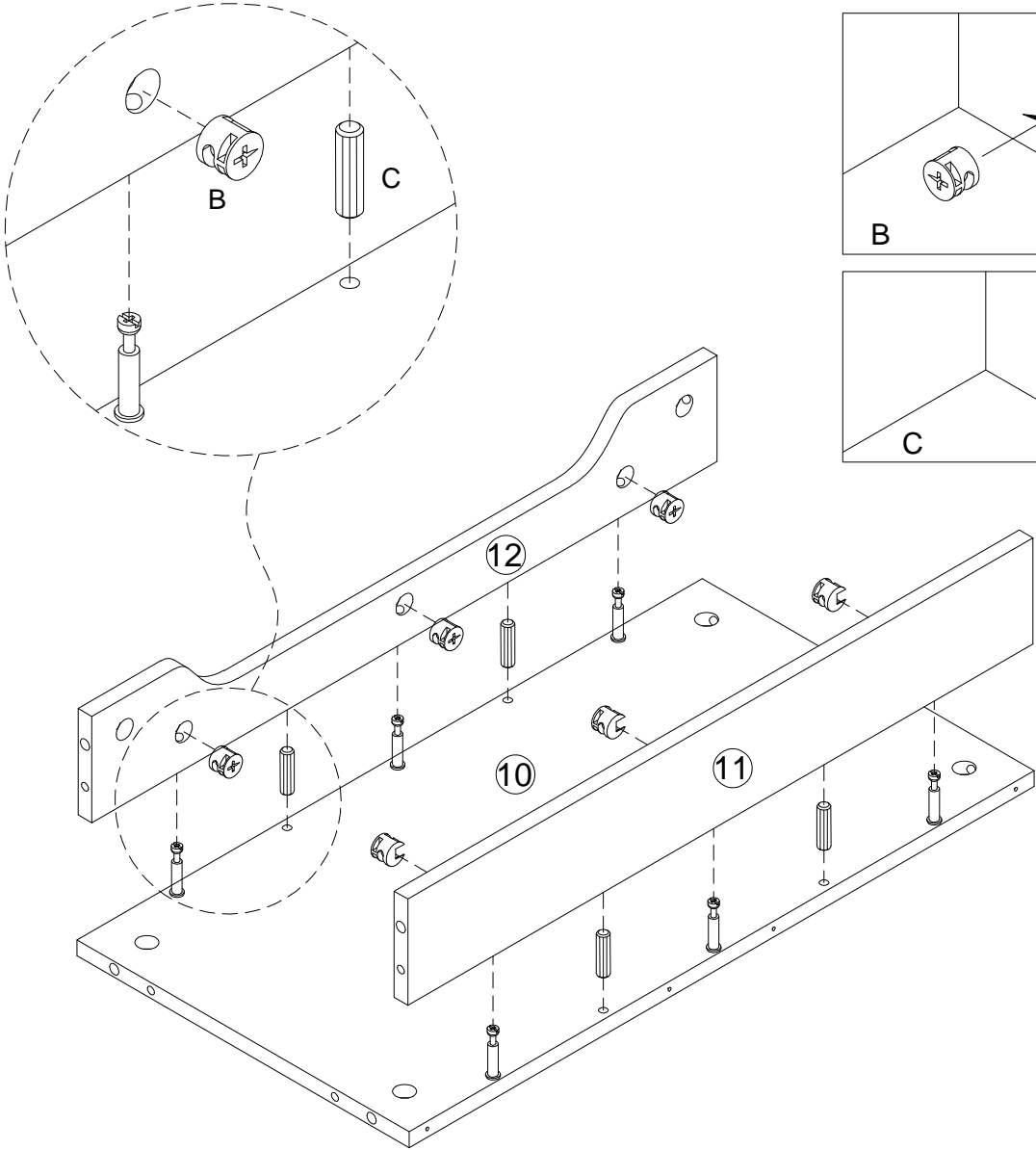
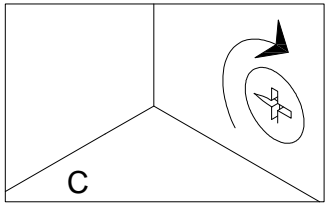
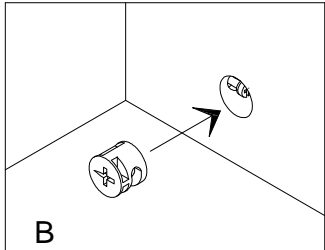
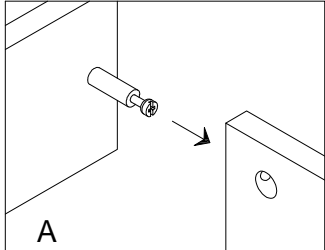


Step 9





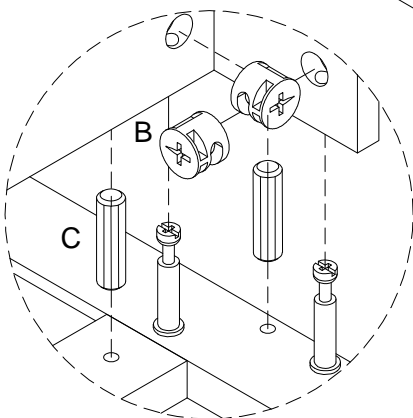
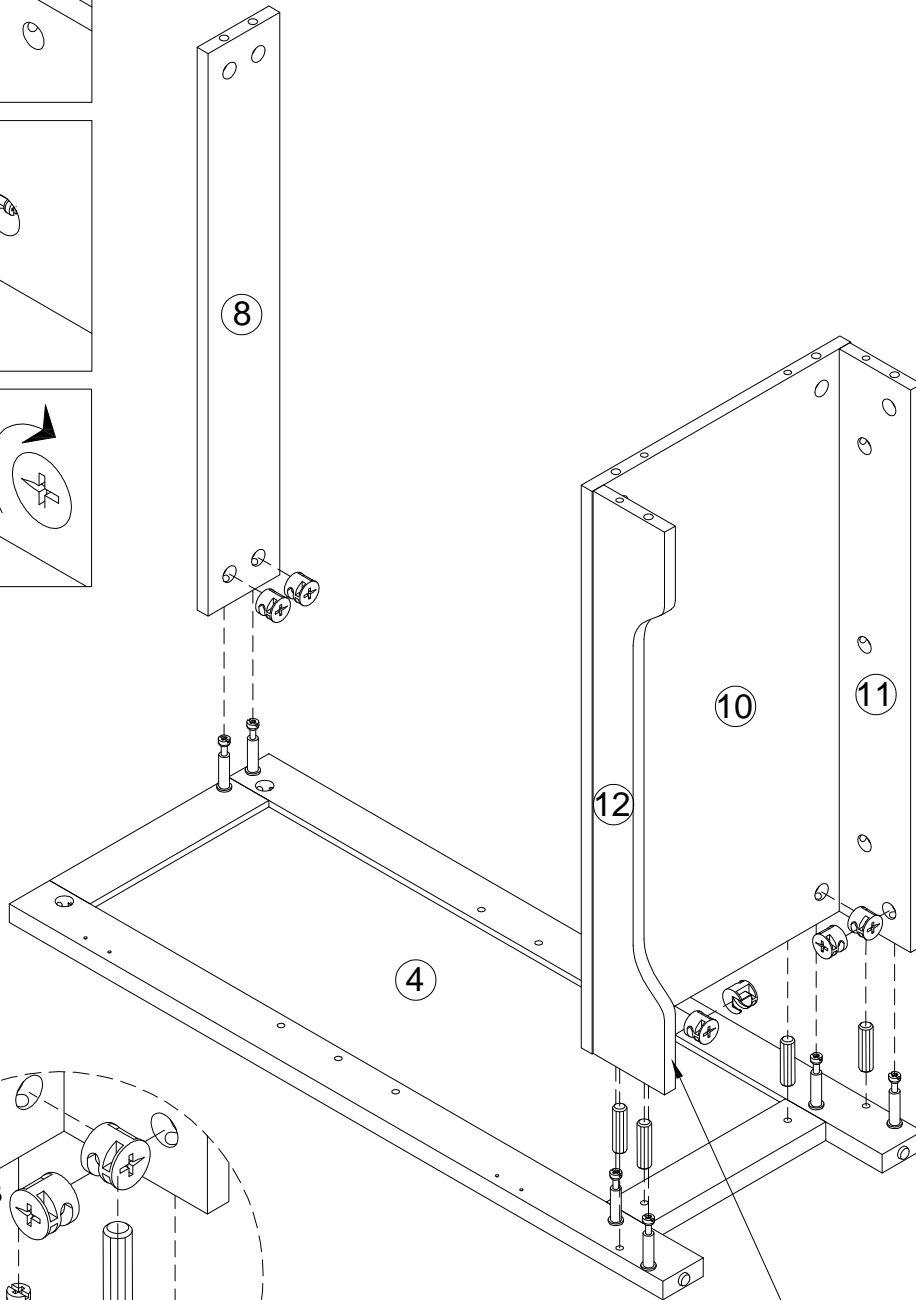
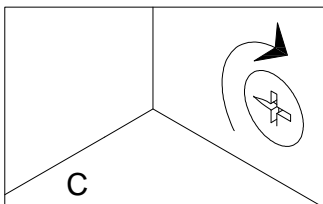
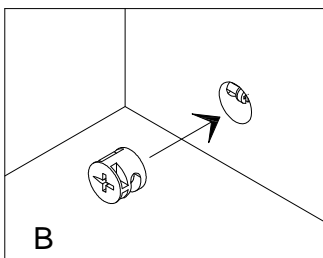
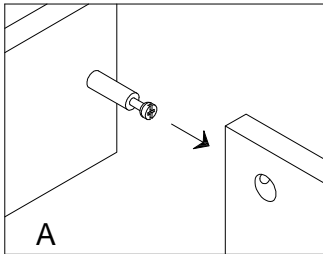
Step 10

B x6	C x4
	





Step 11

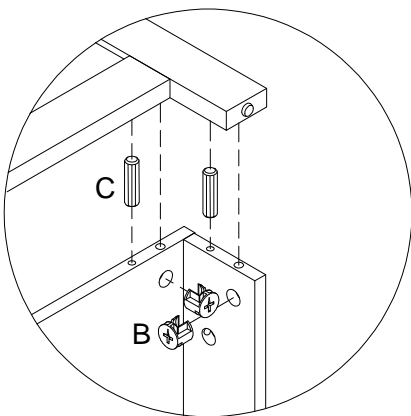
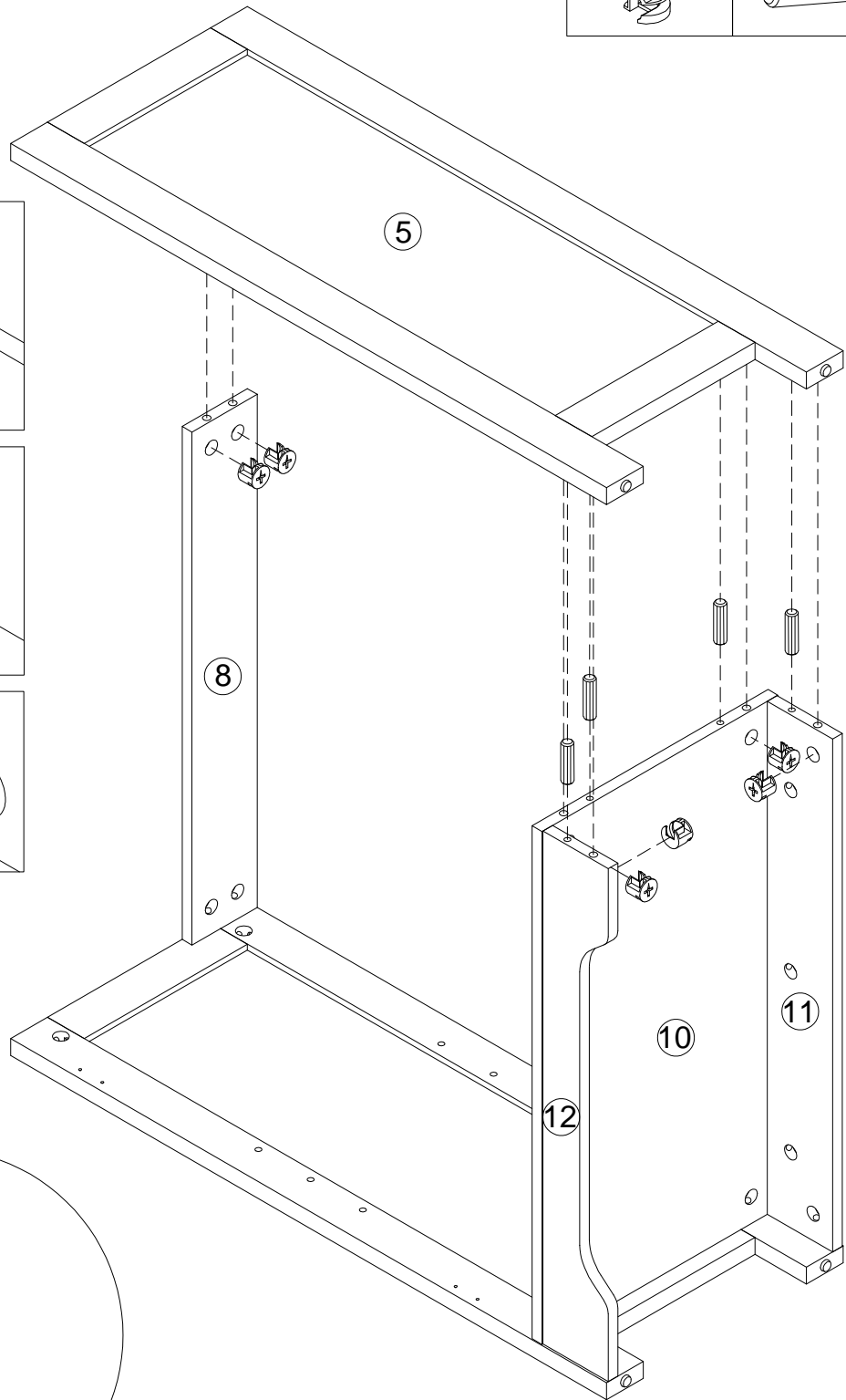
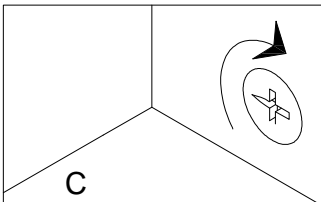
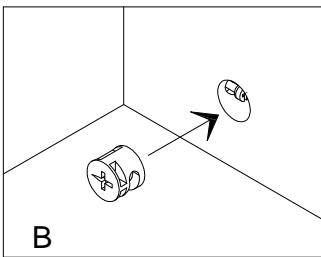
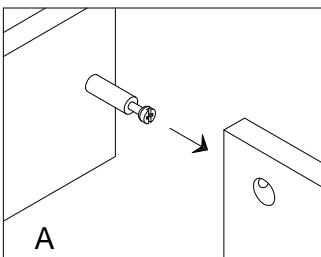
B x6	C x4
	



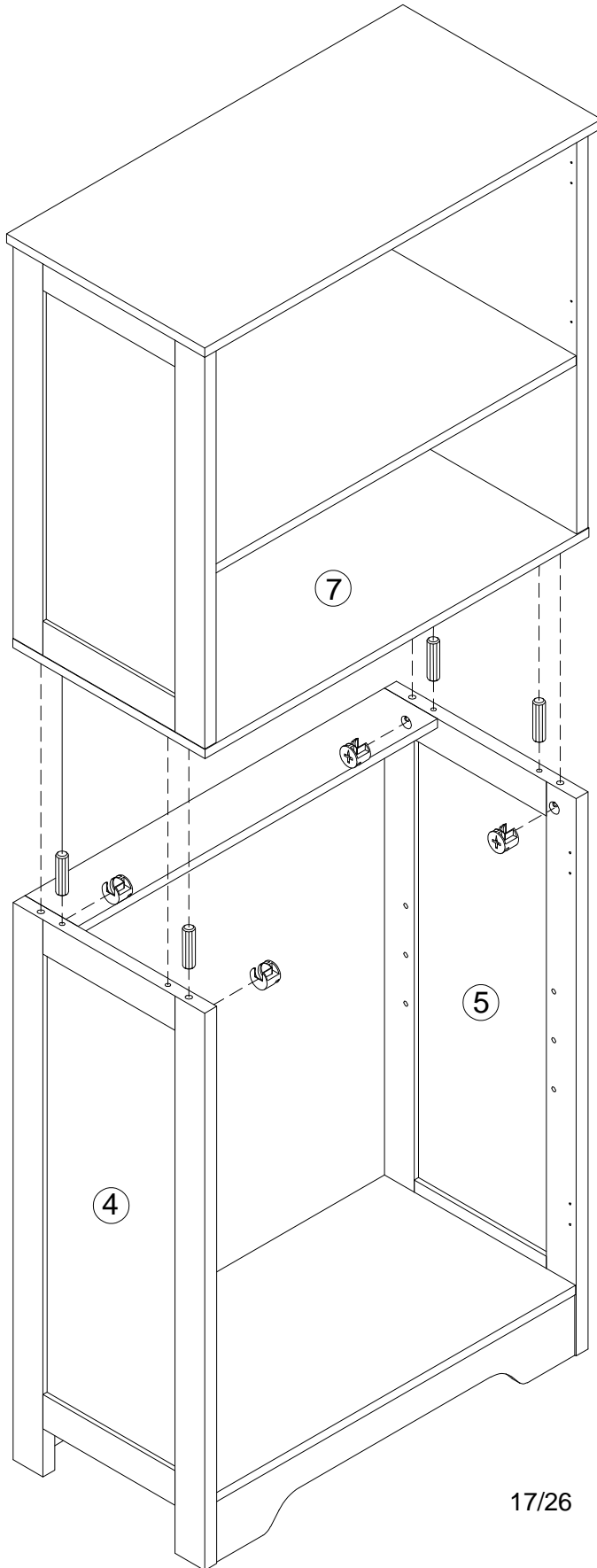
Noted the direction




Step 12

B x6	C x4
	

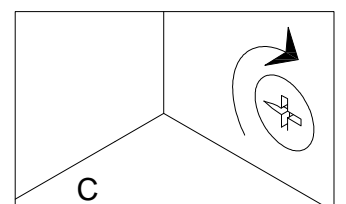
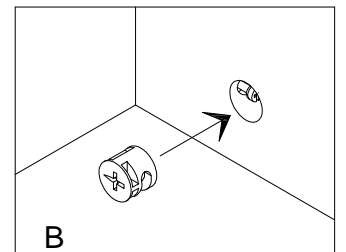
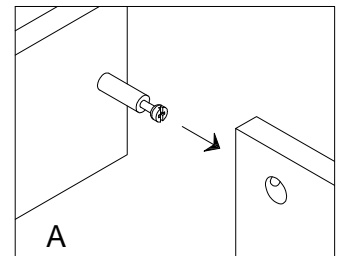
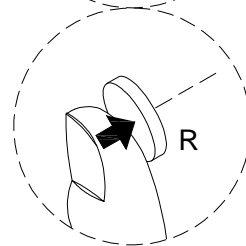
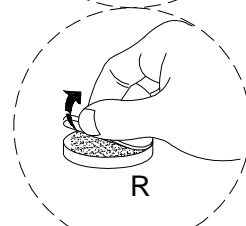
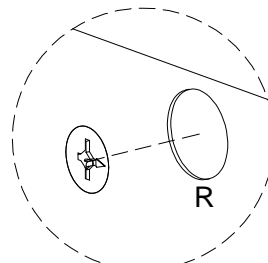
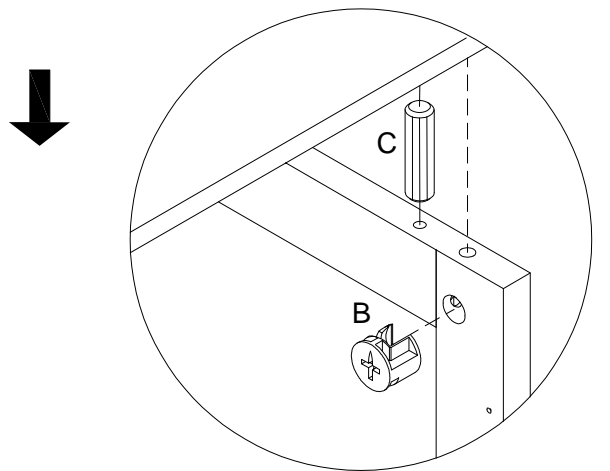


Step 13

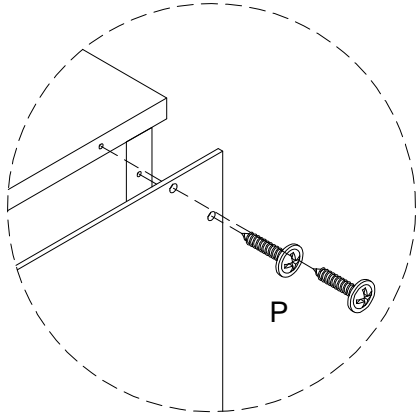
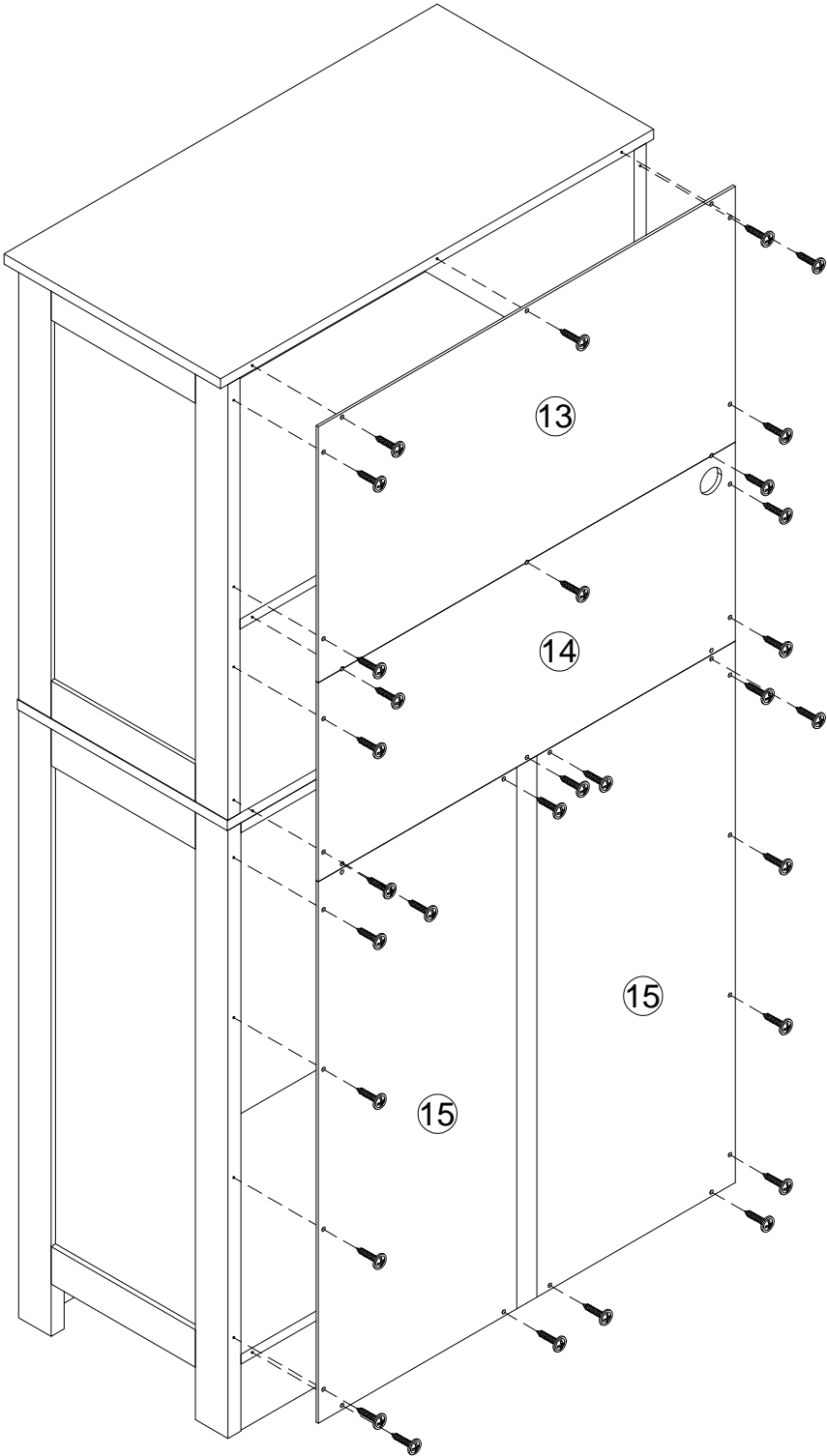
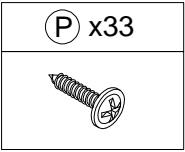


B x4	C x4	R x4
		


Noted team work here please.

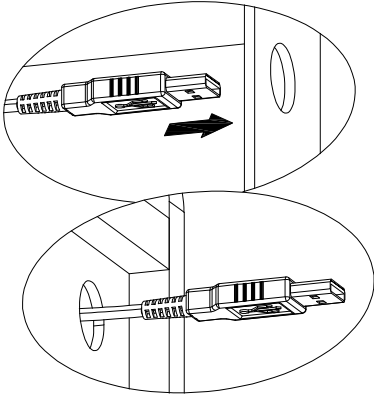
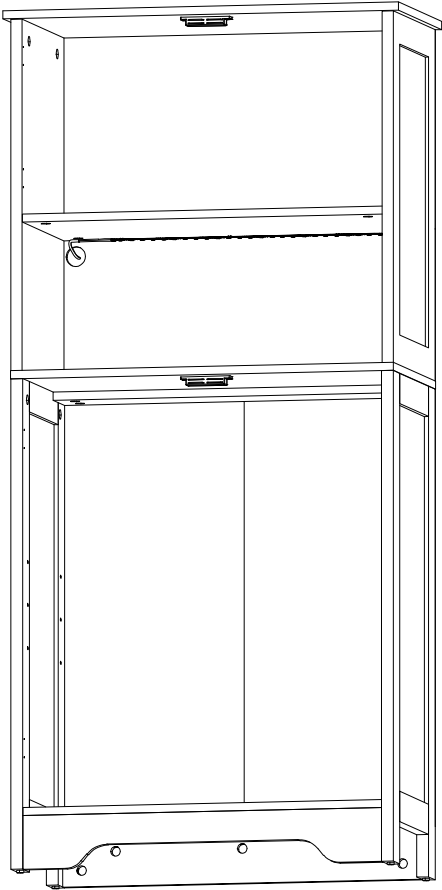


Step 14

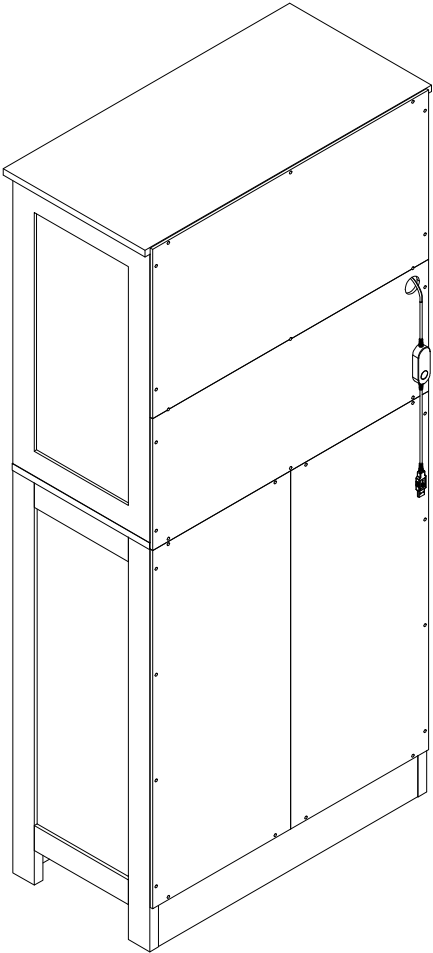


Step 15

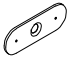

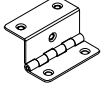
(S) x1


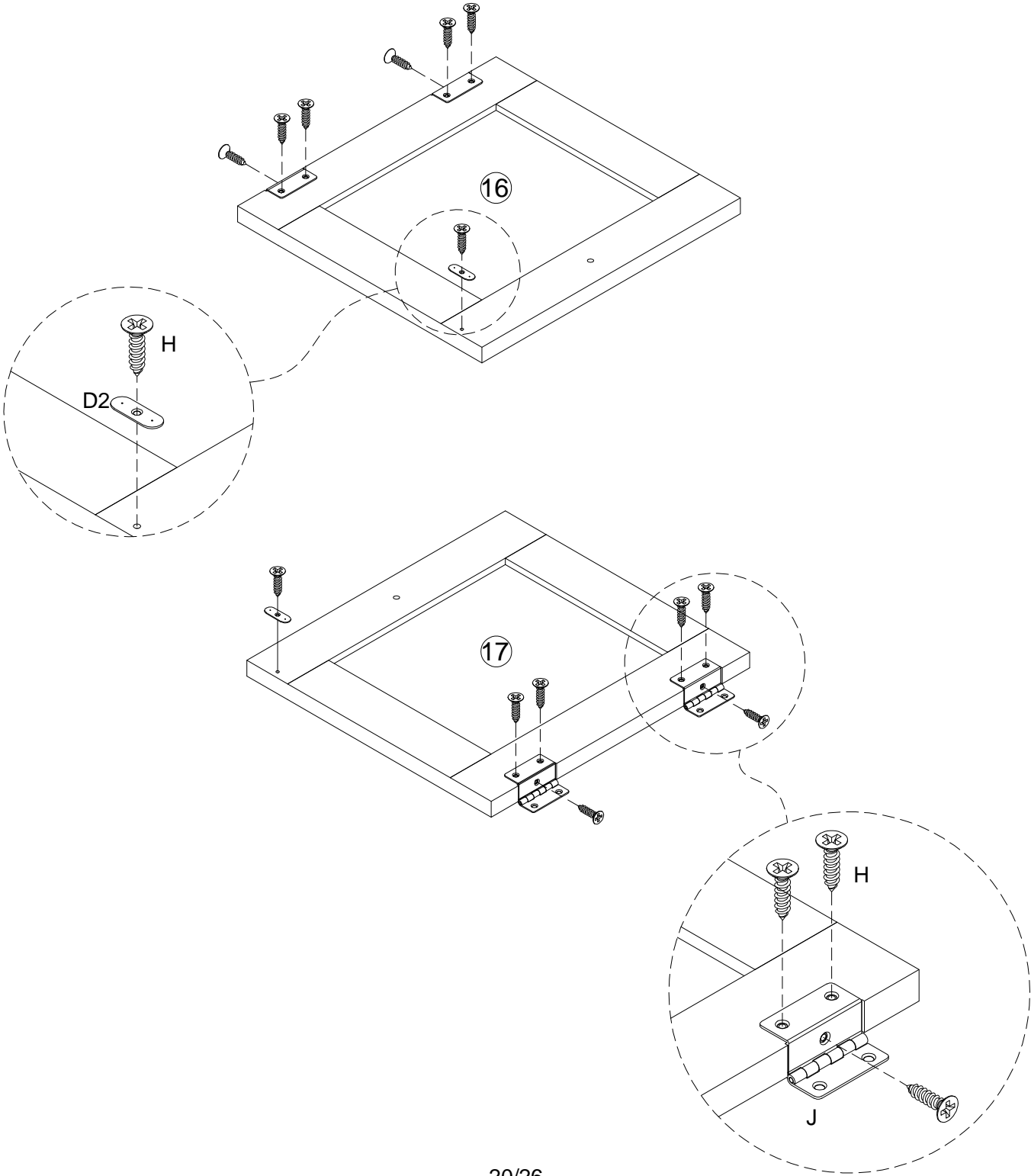


The LED light is attached to the panel near the backplane, and the USB connects to the power supply through the small hole

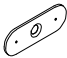

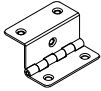


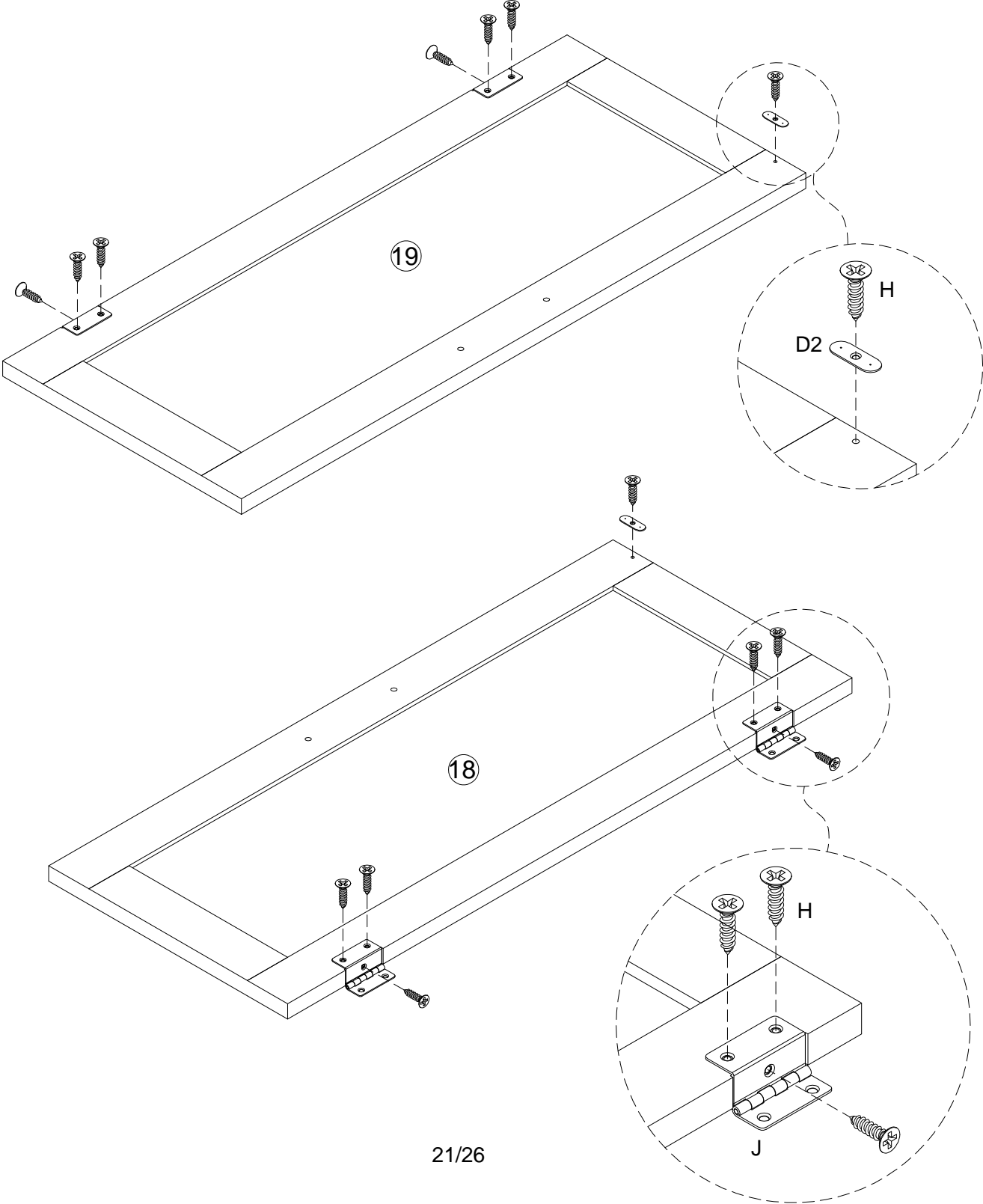
Step 16

ⓓ2 x2	ⓗ x14	ⓙ x4
		

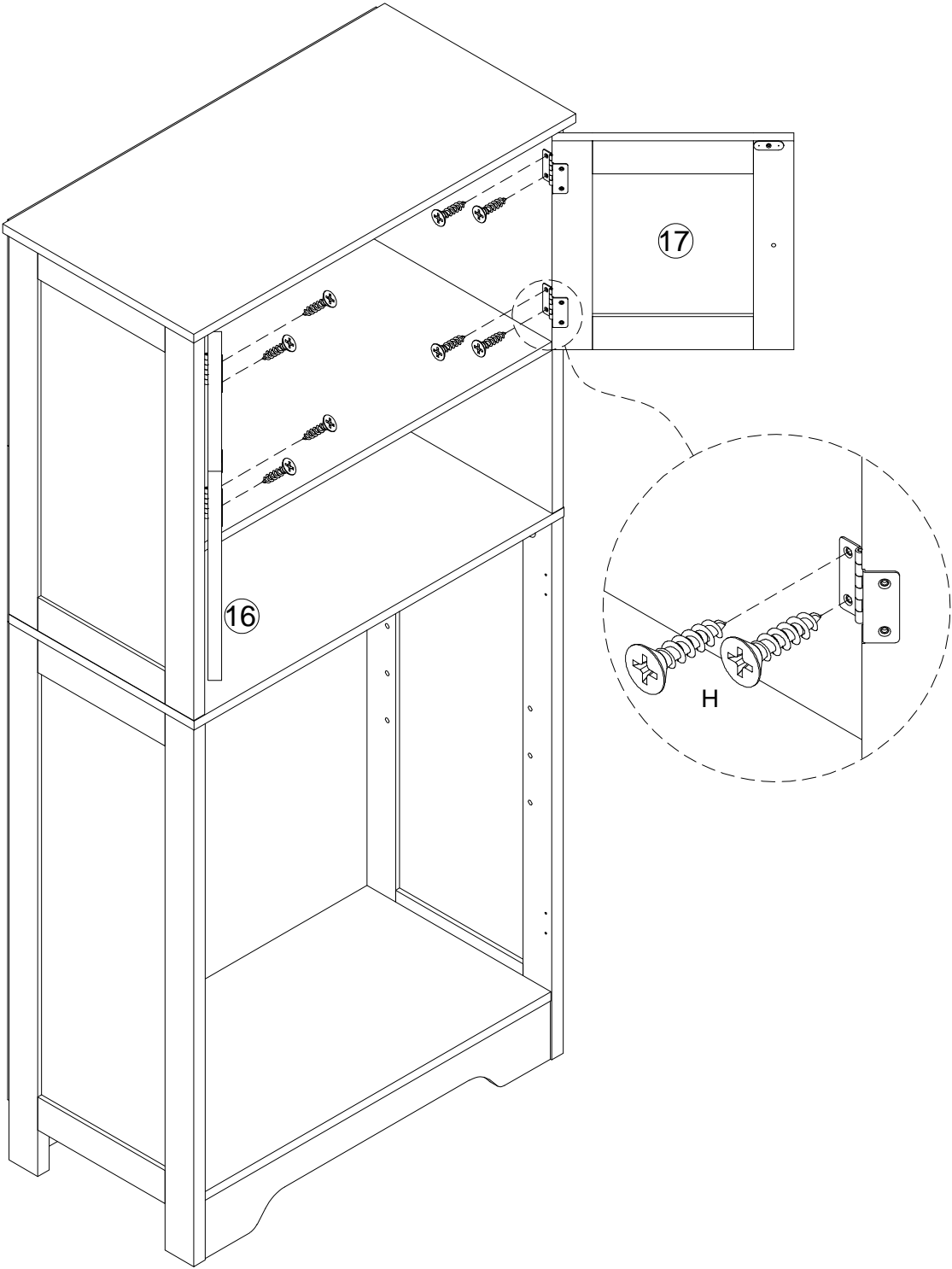
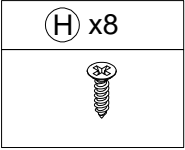


Step 17


ⓓ2 x2	ⓓ x14	ⓓ x4
		

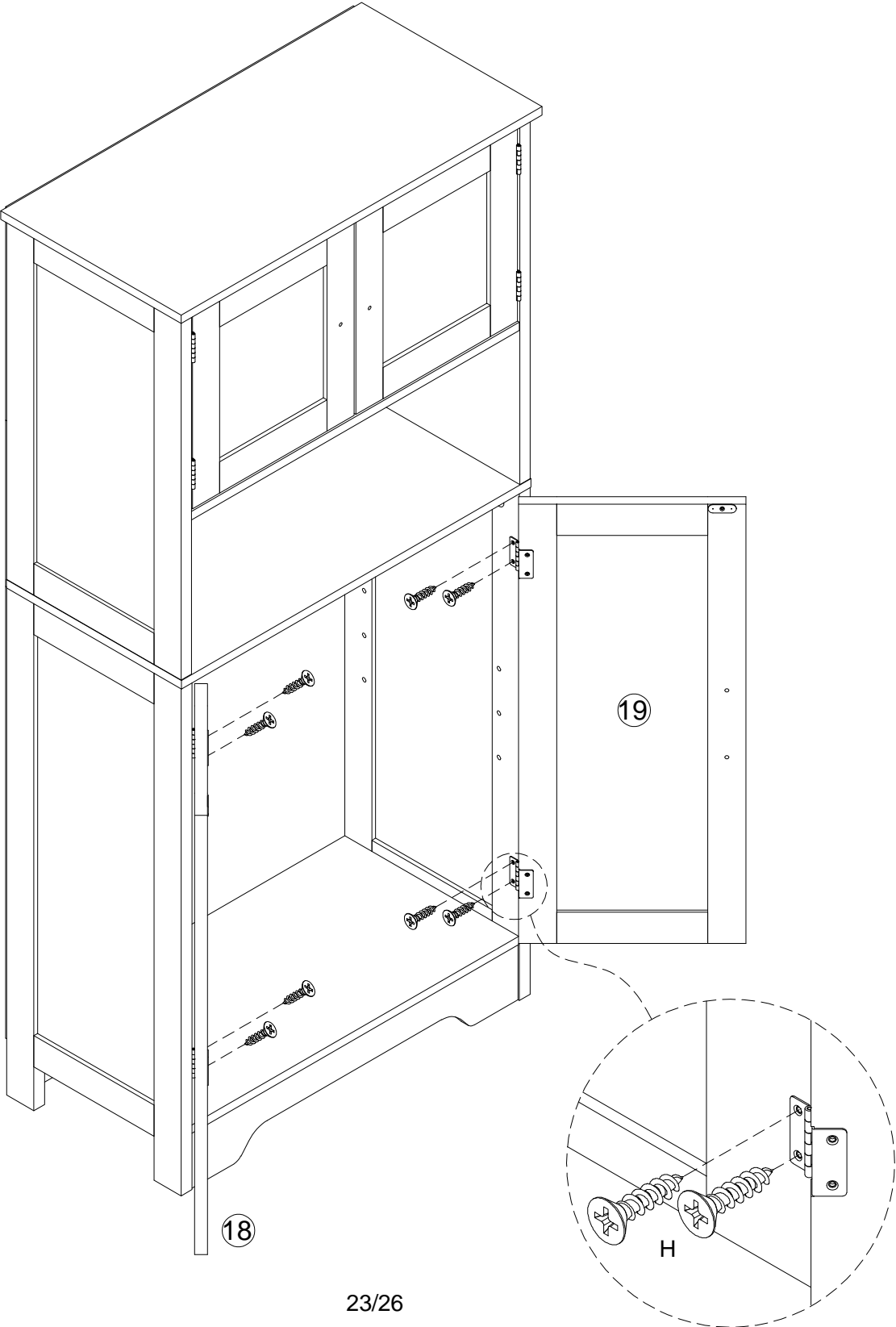


Step 18

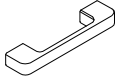
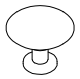
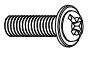


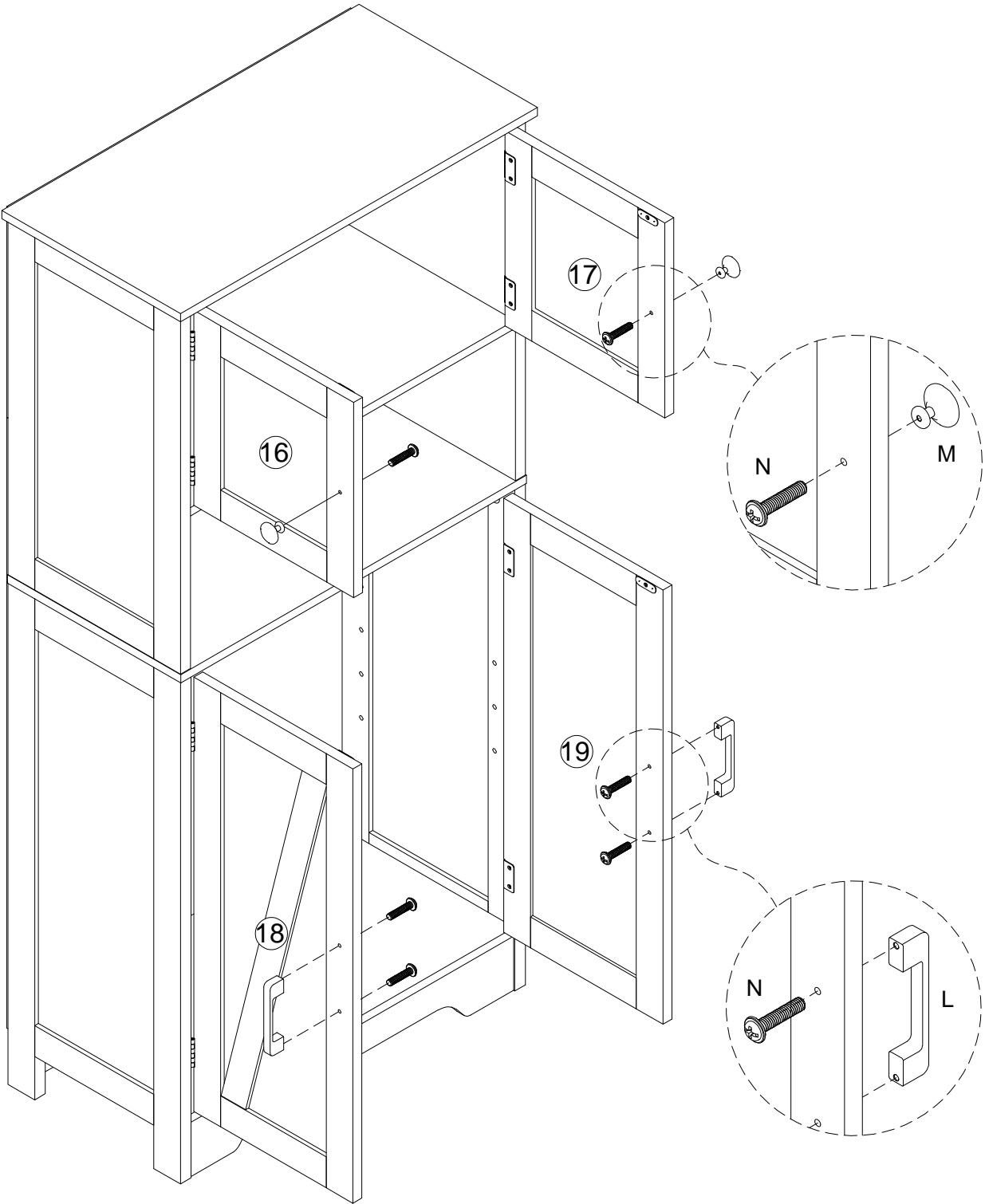
Step 19

(H) x8




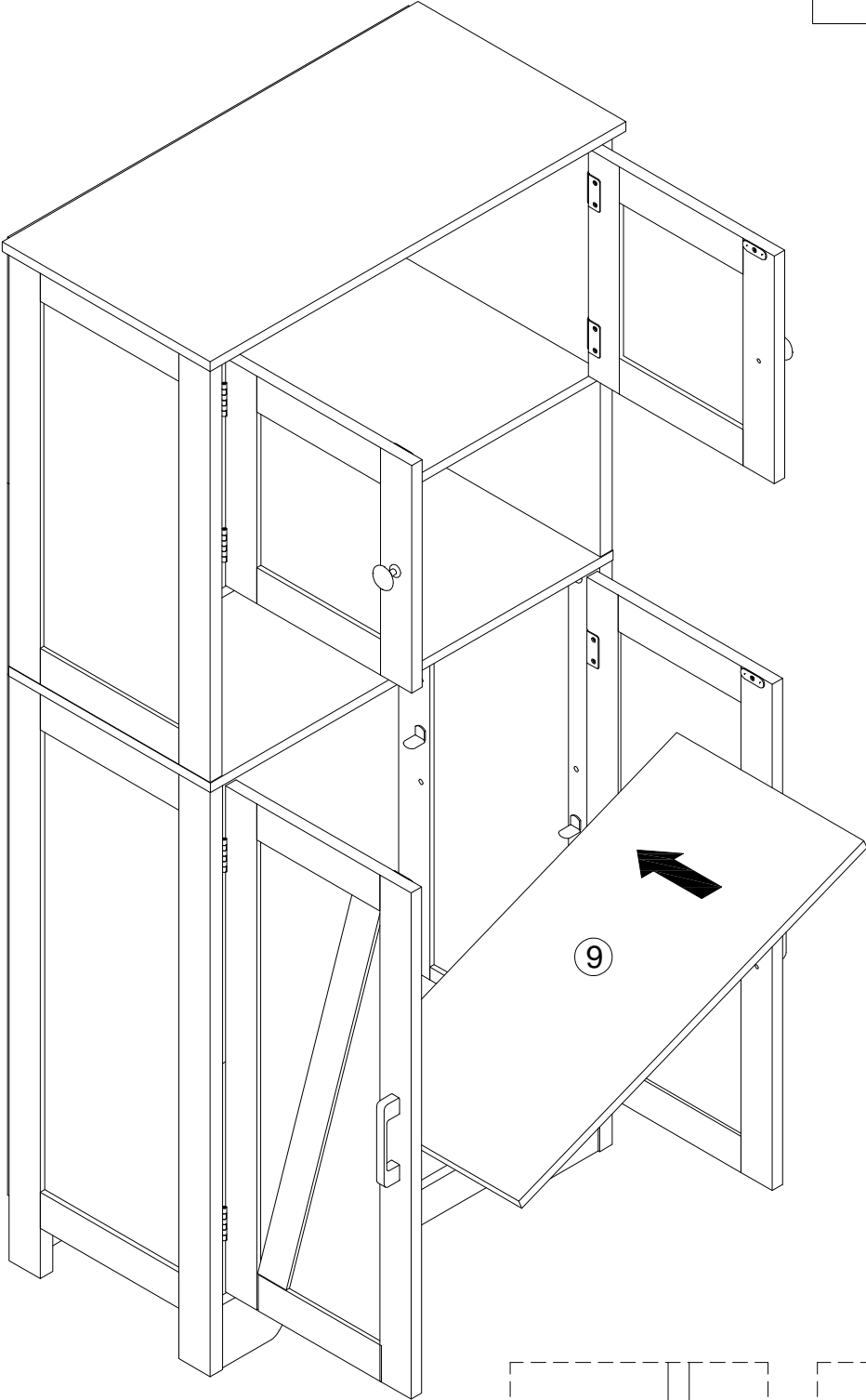
Step 20

(L) x2	(M) x2	(N) x6
		

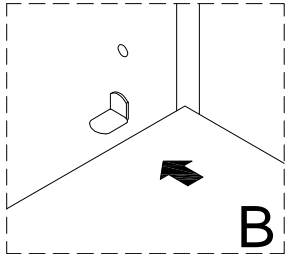
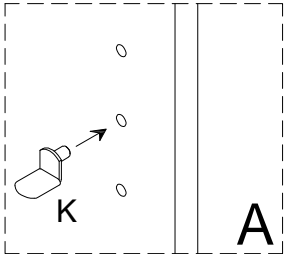


Step 21

Ⓚ x4



25/26



Step 22

