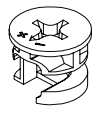
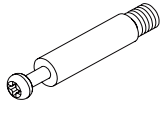
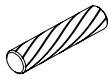

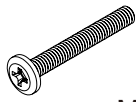
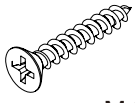
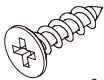



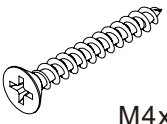

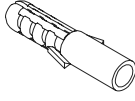
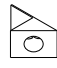
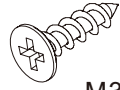

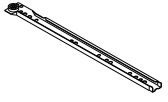
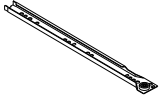

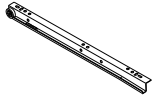
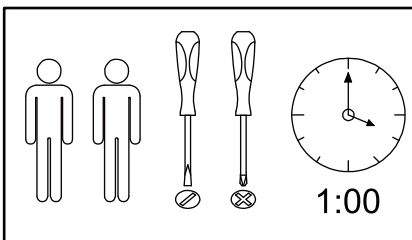


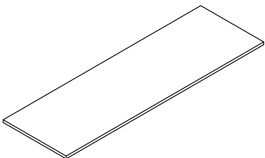
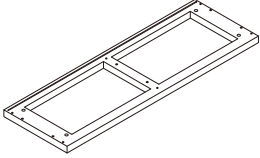
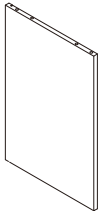
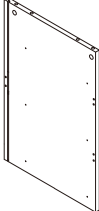

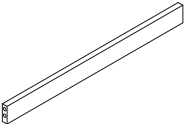
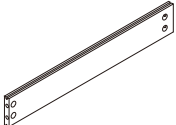
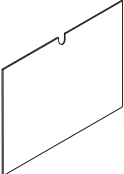
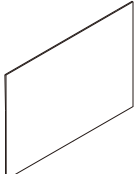
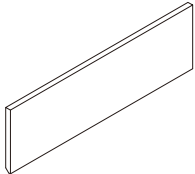
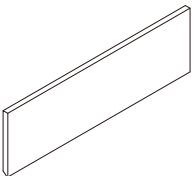
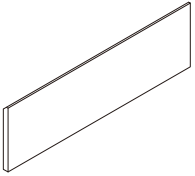
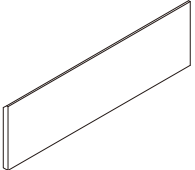
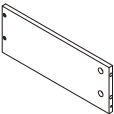
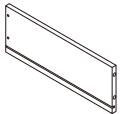
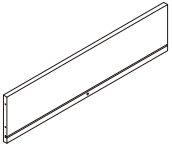
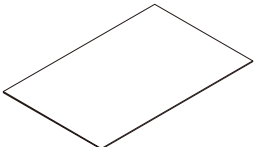
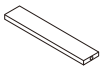


Hardware:

Ⓐx52	Ⓑx52	Ⓒx20	Ⓓx2	Ⓔx4
		 M6x30	 M6x60	 M6x60
Ⓕx32	Ⓖx48	Ⓗx4	Ⓘx2	Ⓙx4
 M4x30	 M3x12			
Ⓚx6	Ⓛx2	Ⓜx2	Ⓞx8	Ⓟx8
 M4x35	 M4x12			 M3x14
Ⓠx5	Ⓦx6	Ⓡx6	Ⓢx6	Ⓣx6
				

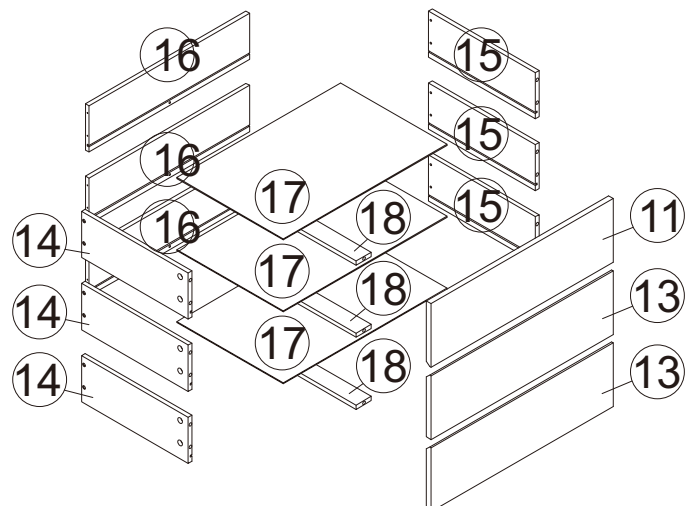
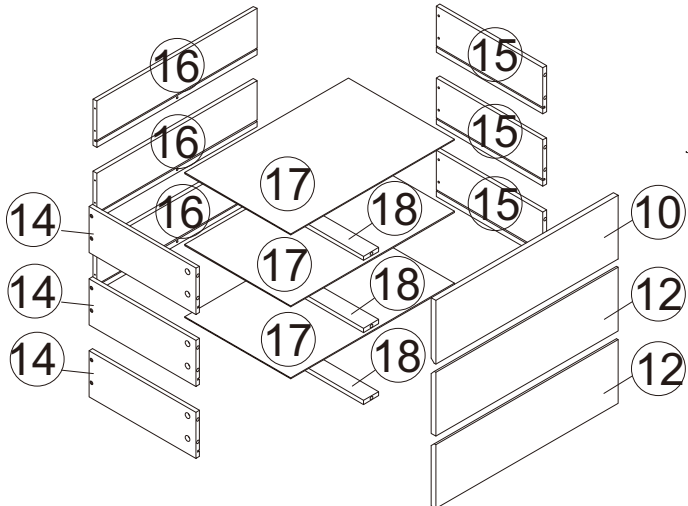
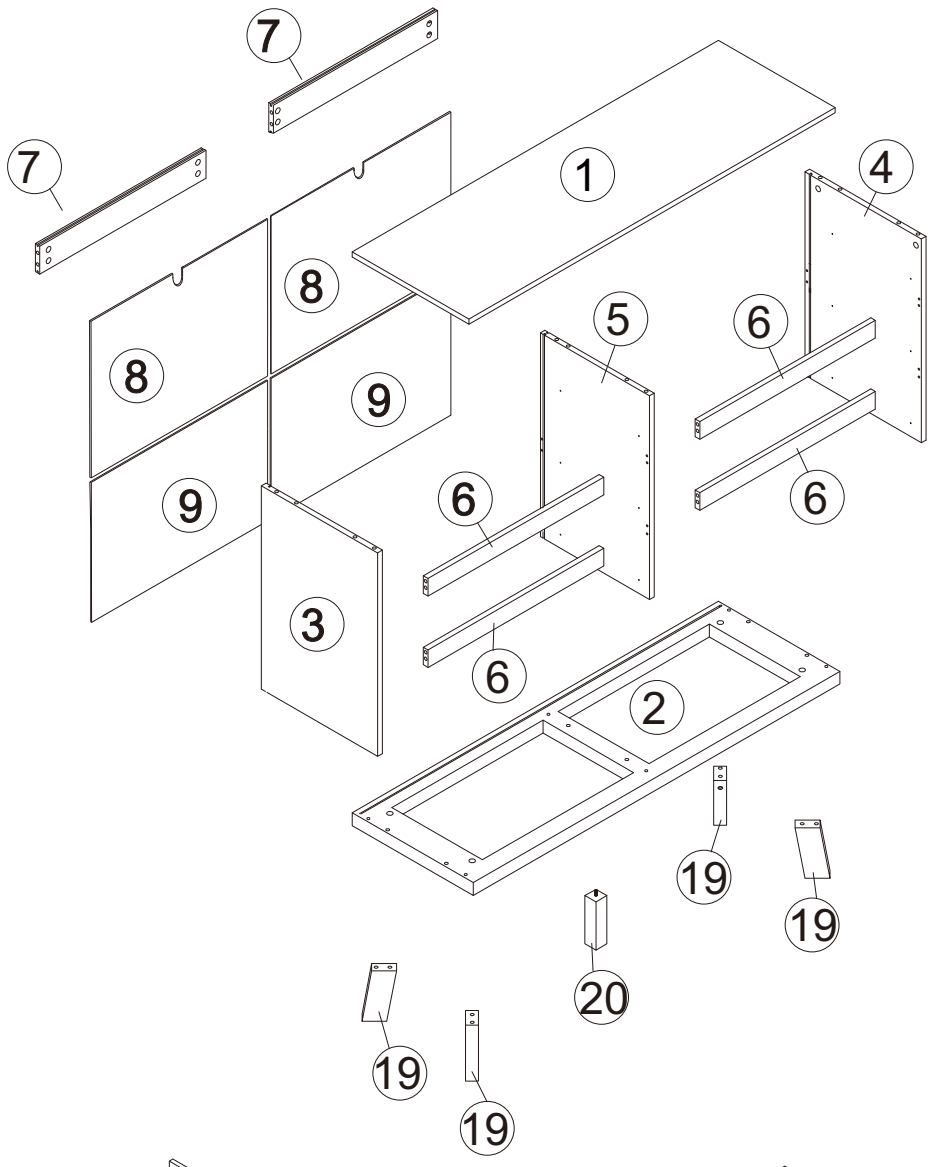


Tools required for assembly: Philips screwdriver and Flathead Screwdriver (if using power tools, use with care)

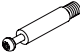



Panels:

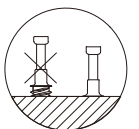
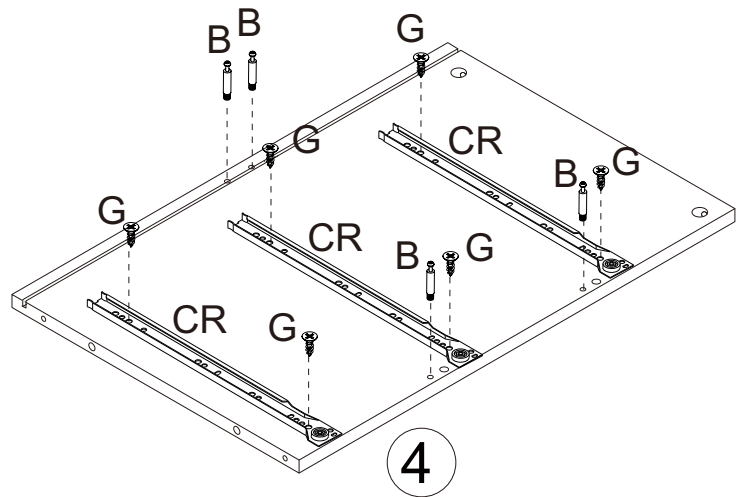
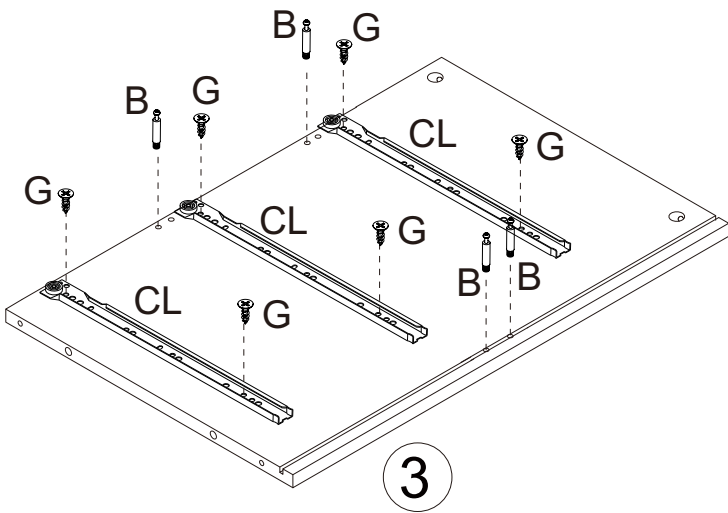
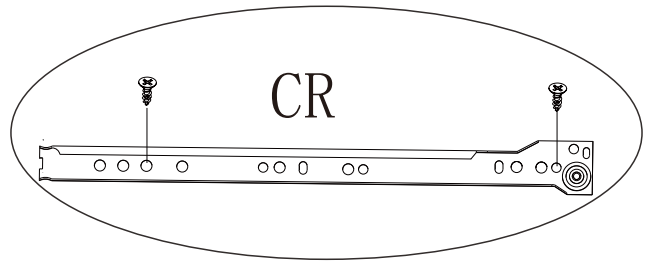
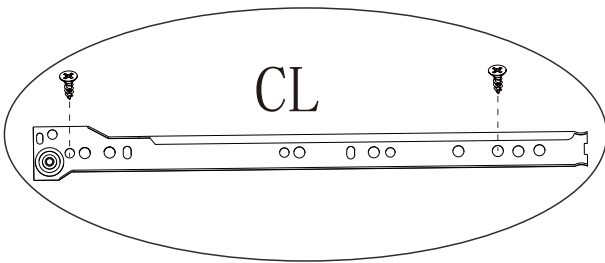
① x1	② x1	③ x1	④ x1	⑤ x1
				
⑥ x4	⑦ x2	⑧ x2	⑨ x2	⑩ x1
				
⑪ x1	⑫ x2	⑬ x2	⑭ x6	⑮ x6
				
⑯ x6	⑰ x6	⑱ x6	⑲ x4	⑳ x1
				

Panels:

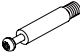





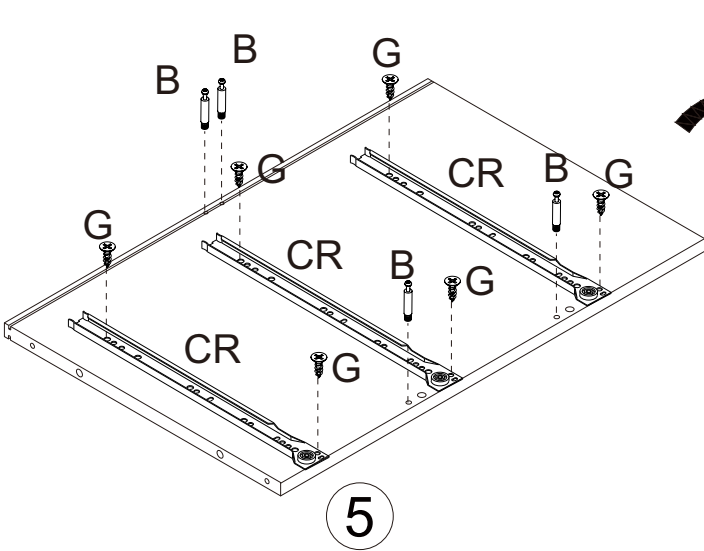
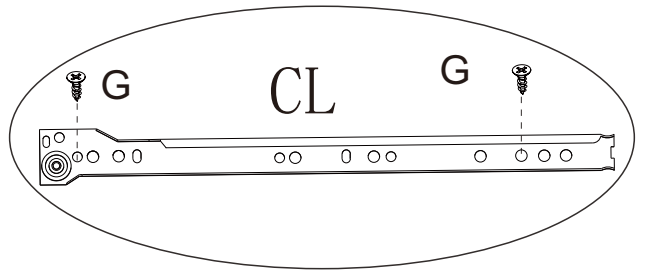
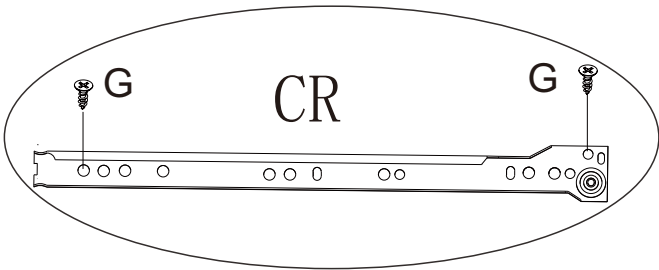
Step 1

ⓑ x8	ⓖ x12	ⒸⓁ x3	ⒸⓇ x3
			

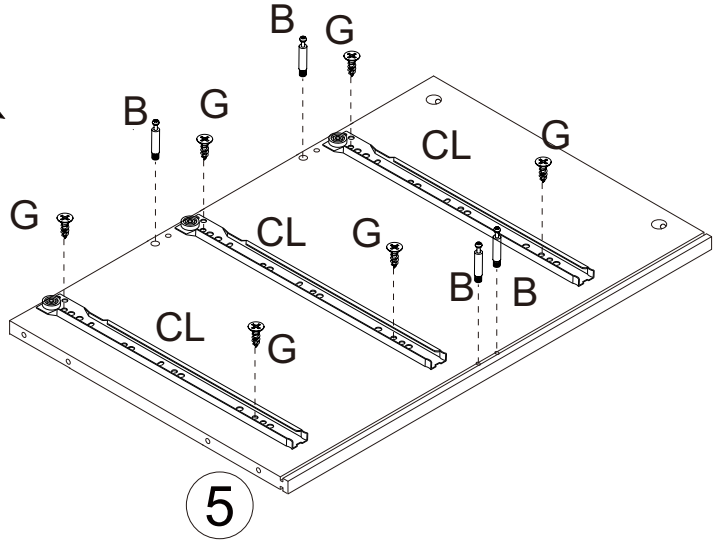


Step 2

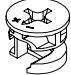

ⓑ x8	ⓖ x12	ⒸⓁ x3	ⒸⓇ x3
			

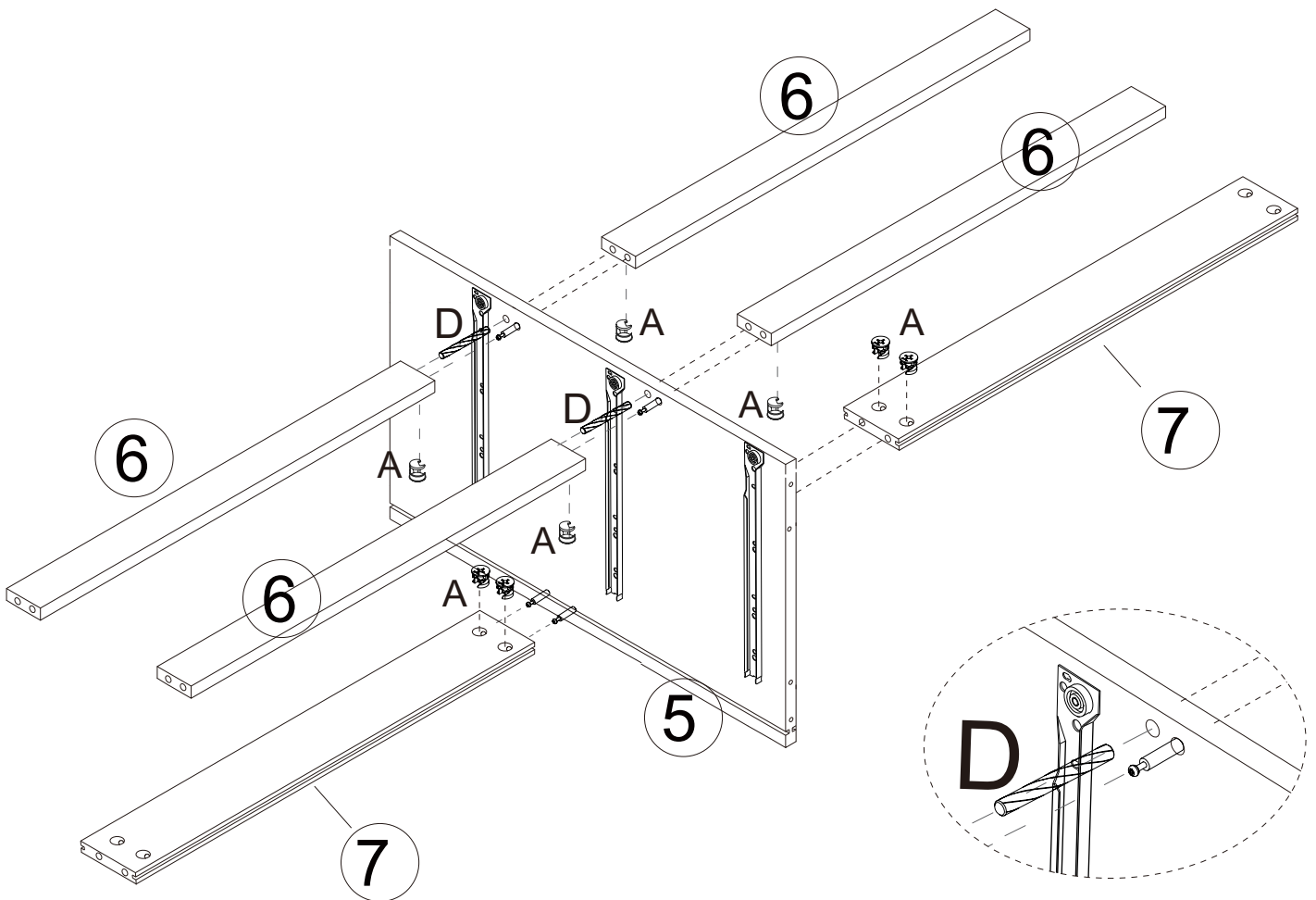


FLIP





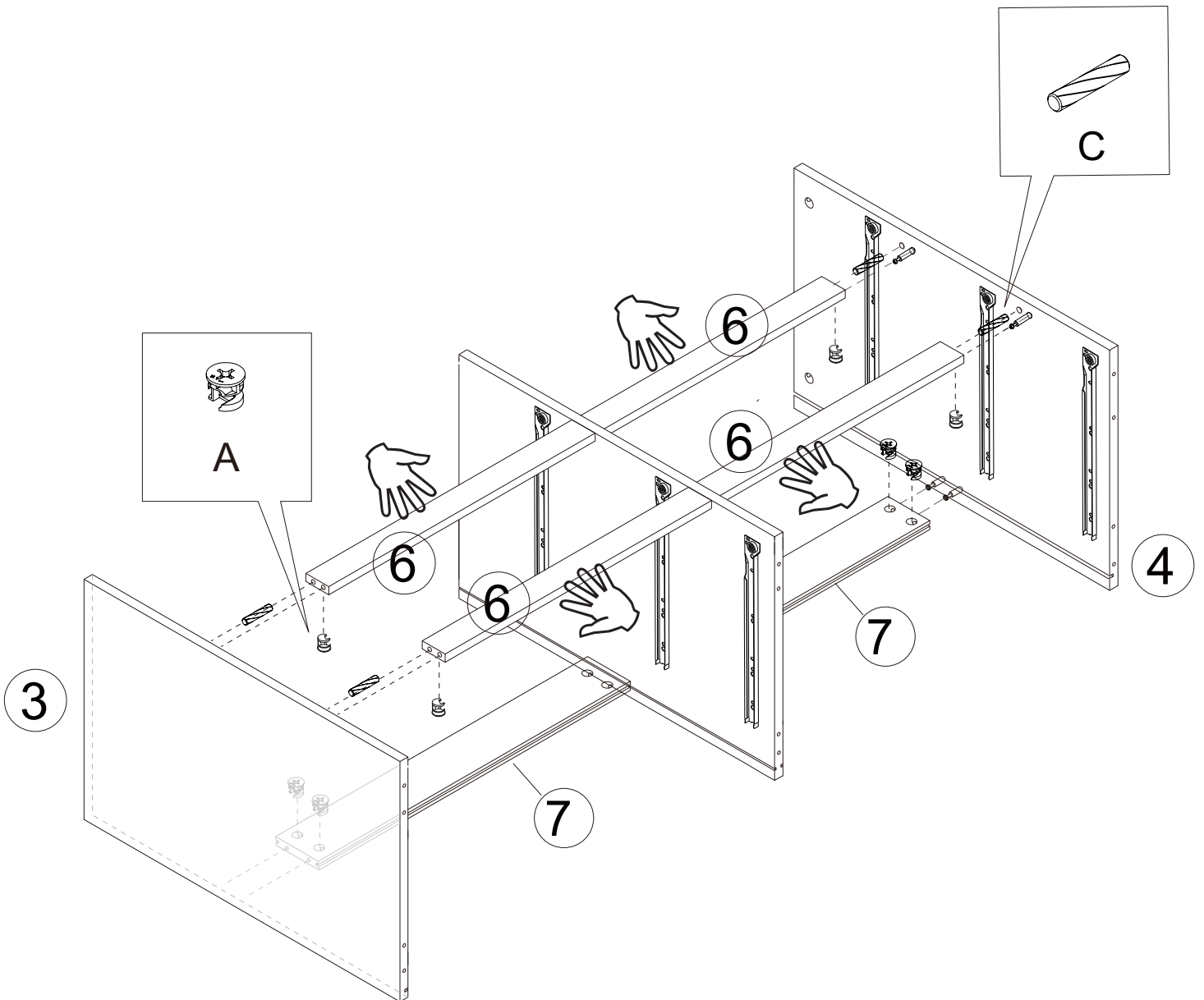
Step 3

$\textcircled{A} \times 8$	$\textcircled{D} \times 2$
	

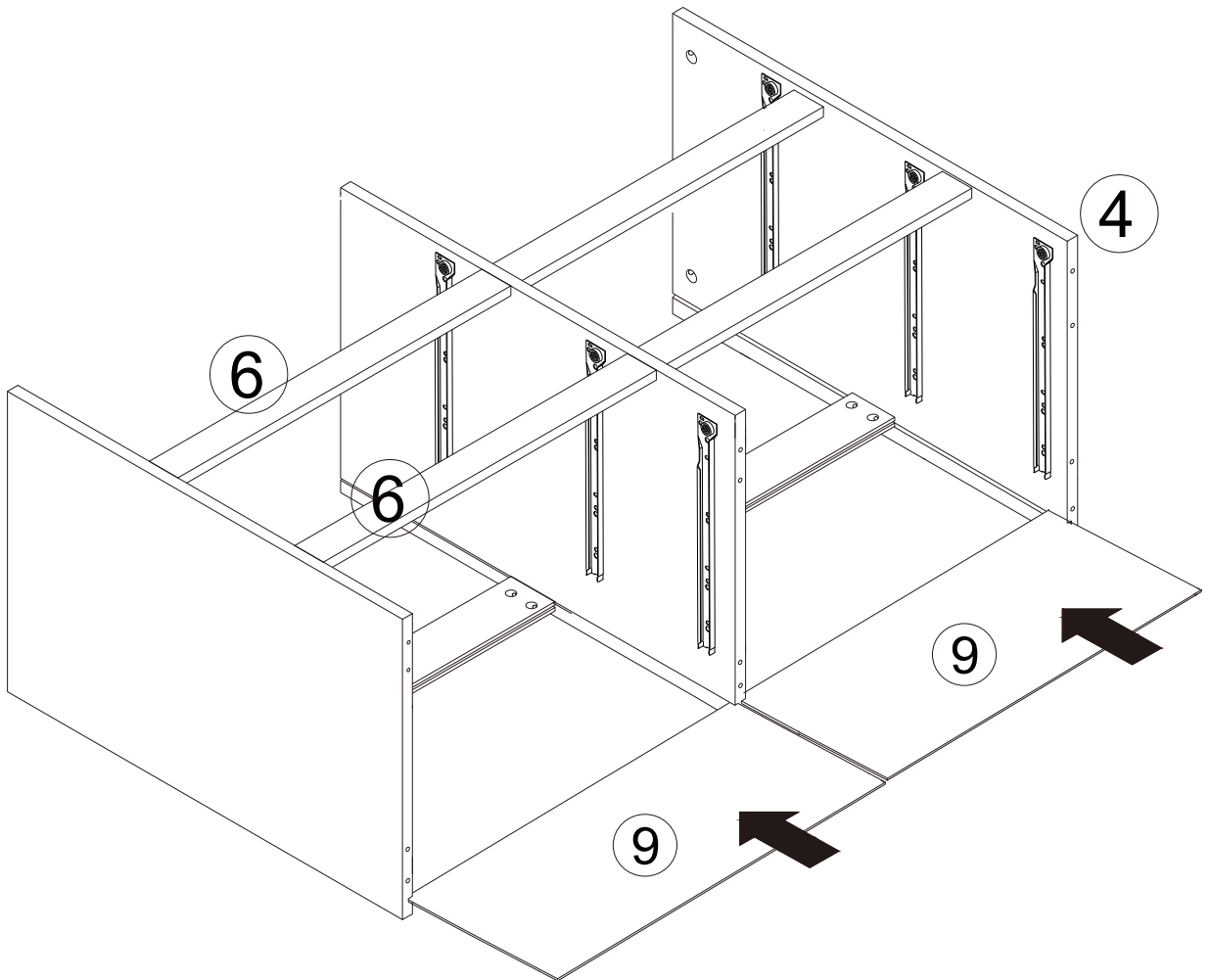


Step 4



A x8	C x4
	

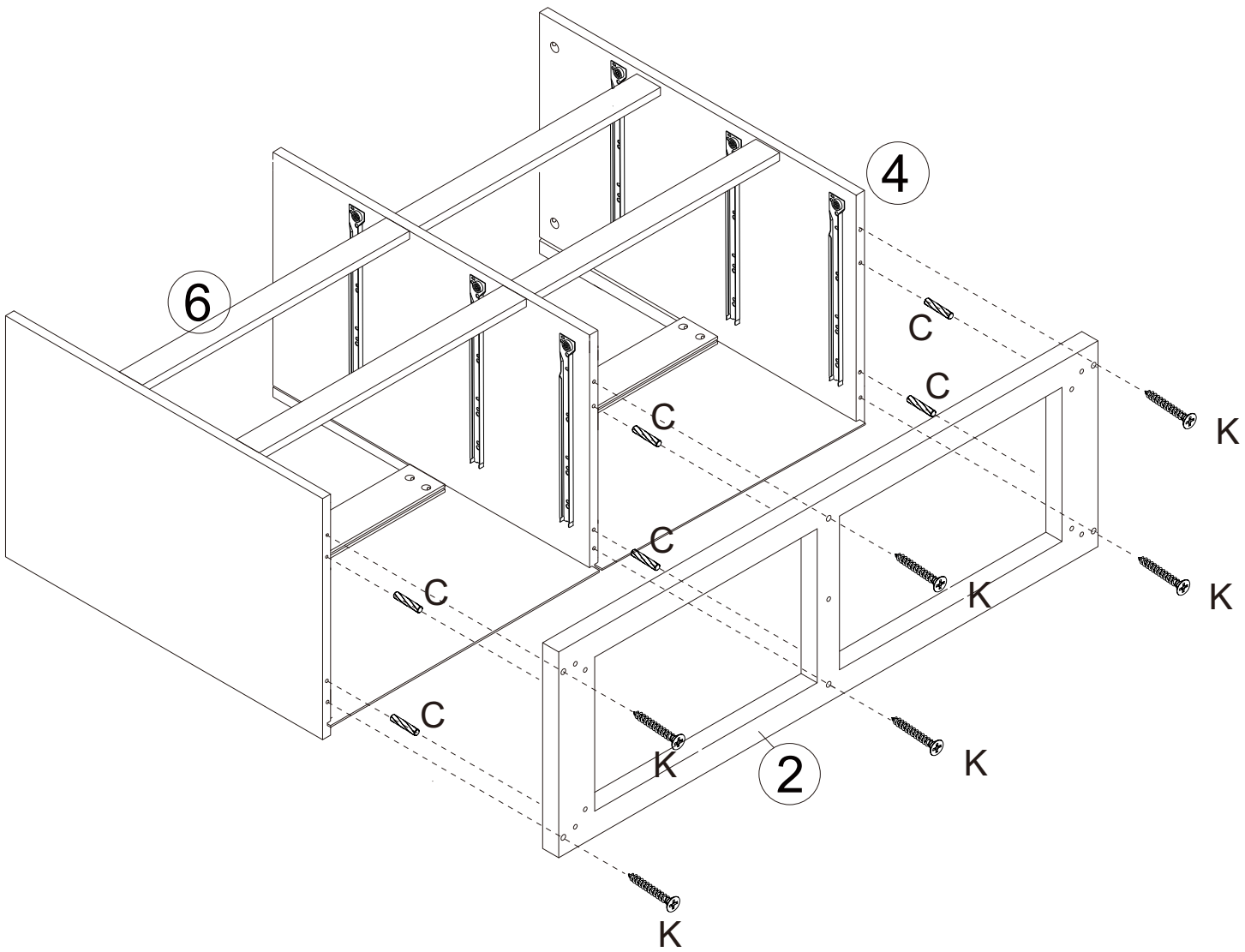


Step 5







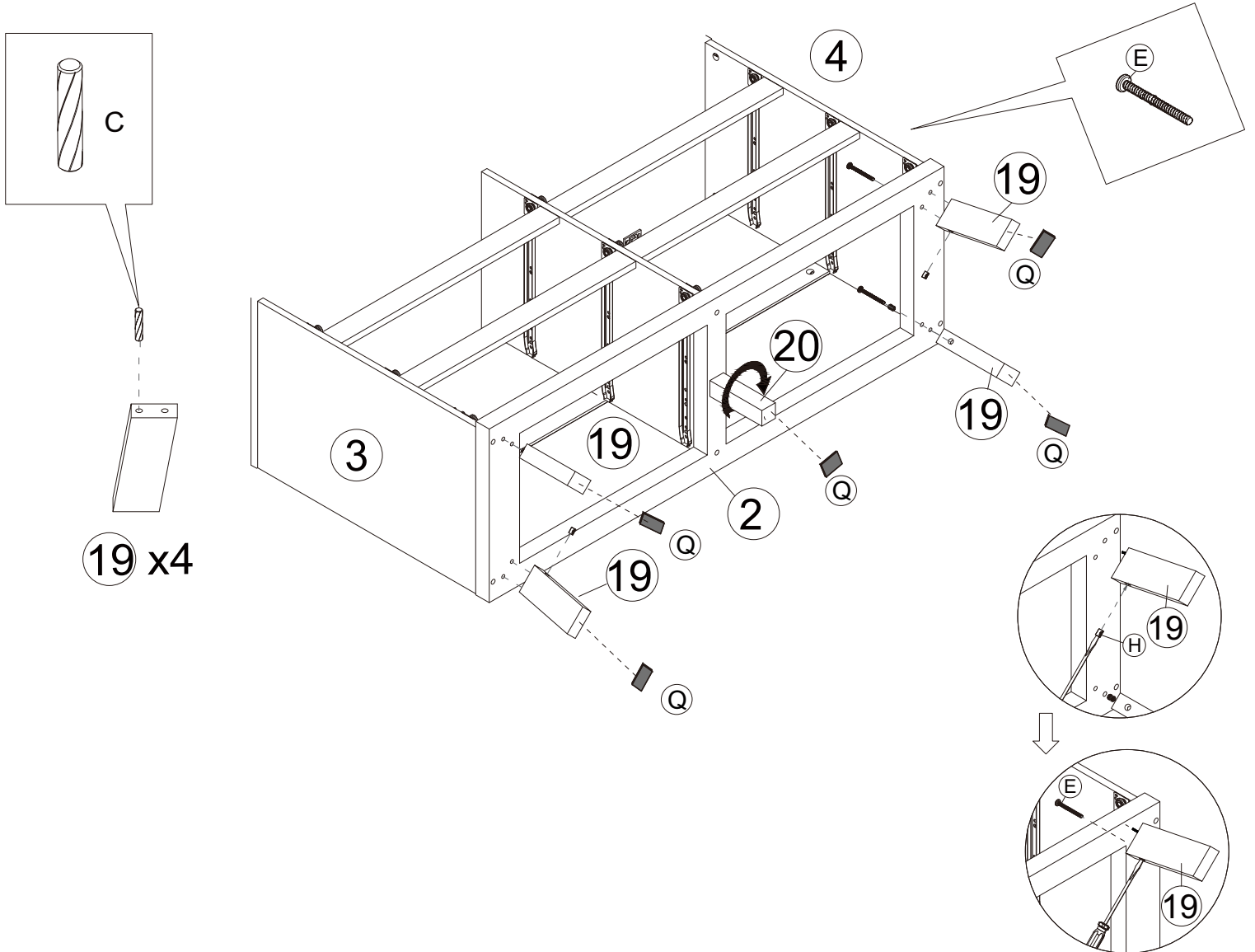
Step 6

ⓐ x6	Ⓚ x6
	

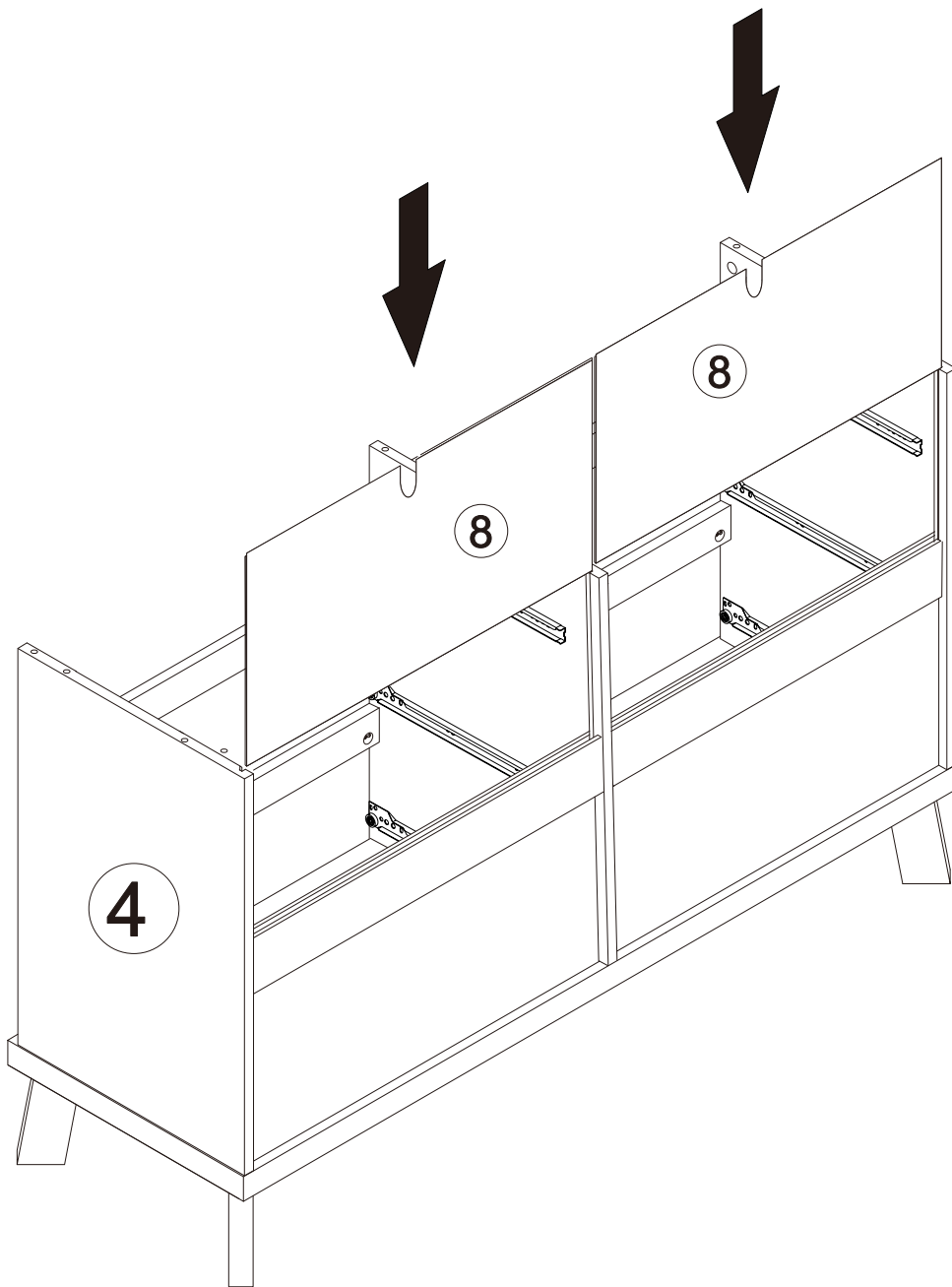


Step 7







ⓐ x4	ⓔ x4	ⓓ x4	Ⓠ x5
			

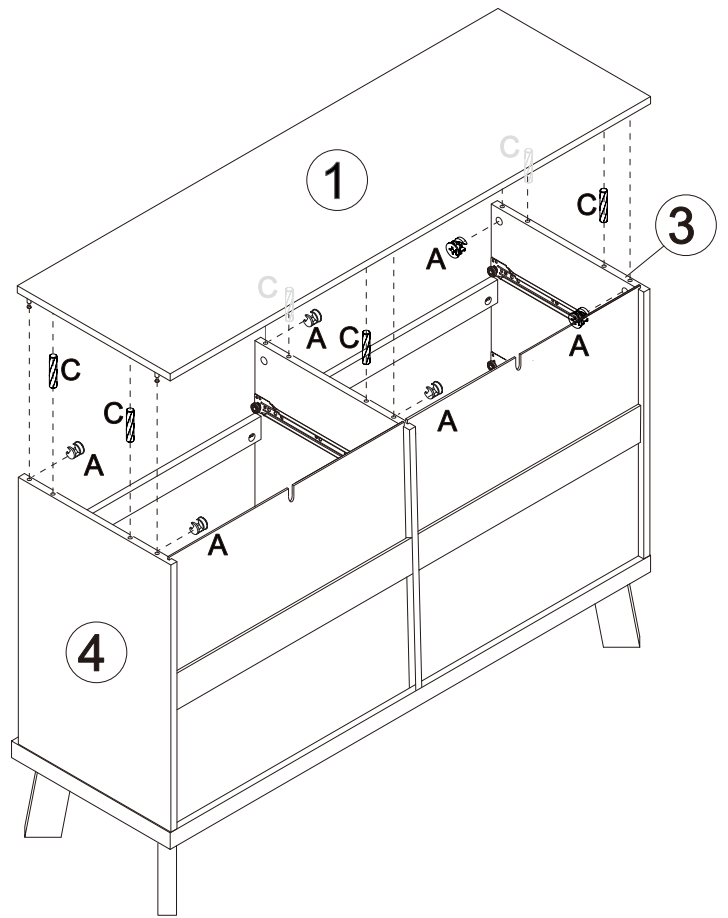
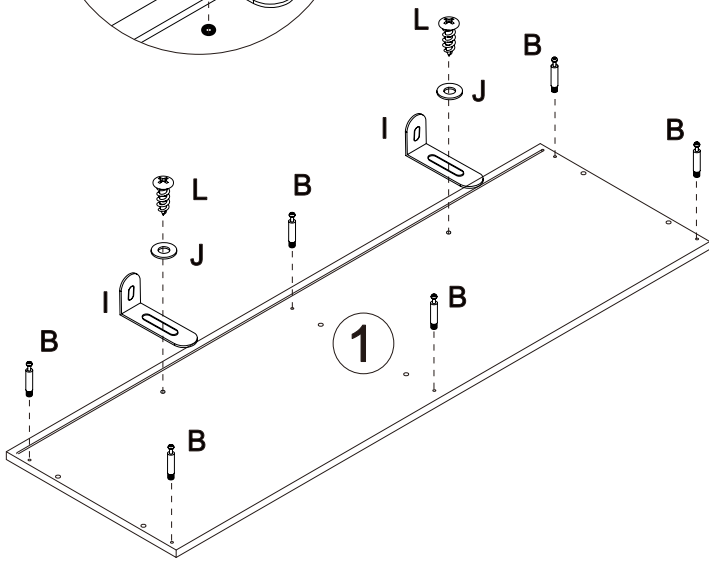
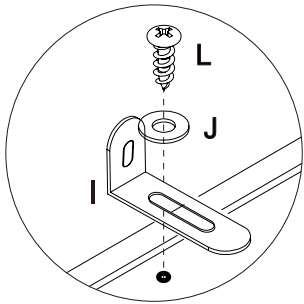


Step 8





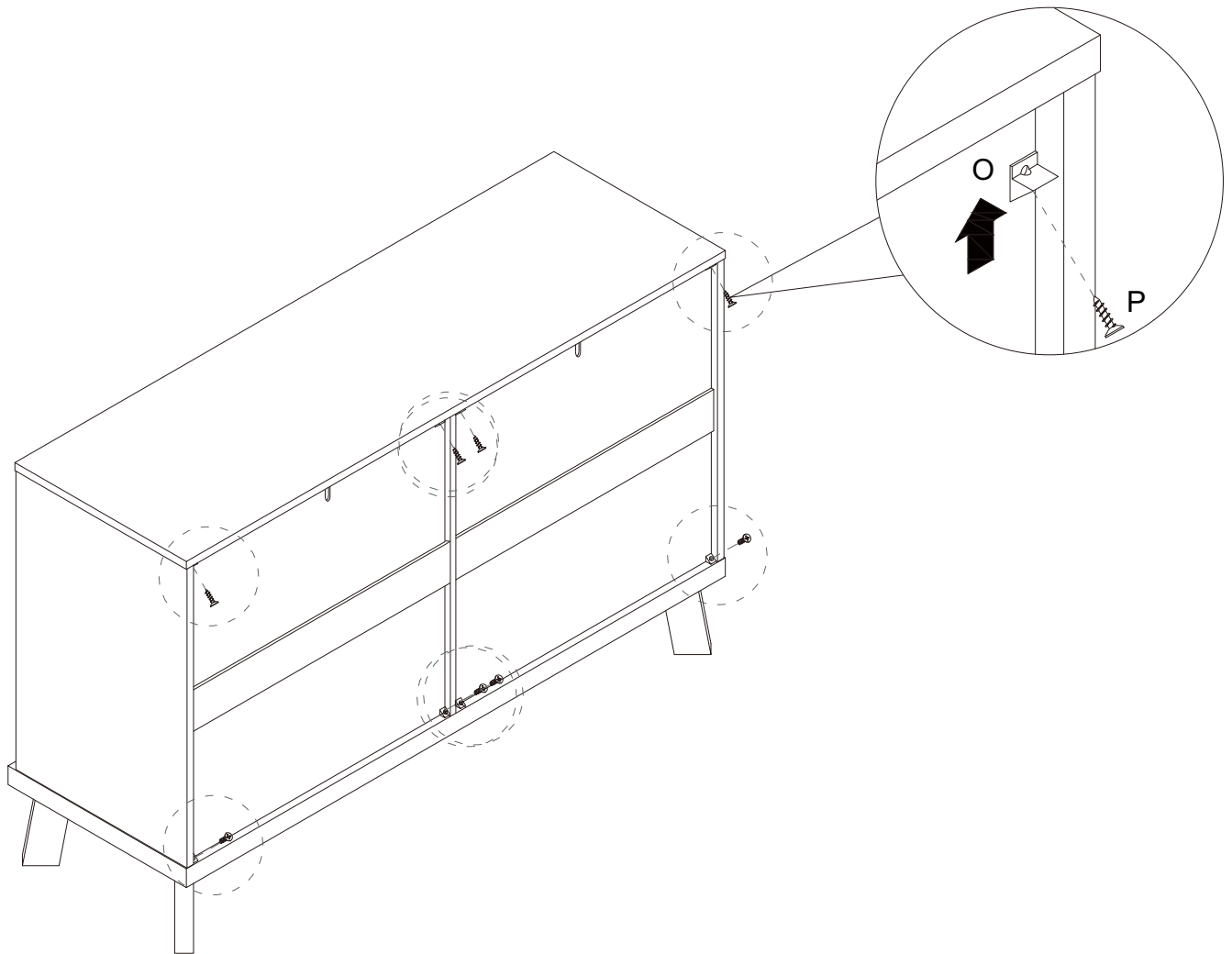
Step 9

Ⓐ x6	Ⓑ x6	Ⓒ x6	Ⓘ x2	Ⓙ x2	Ⓛ x2
					






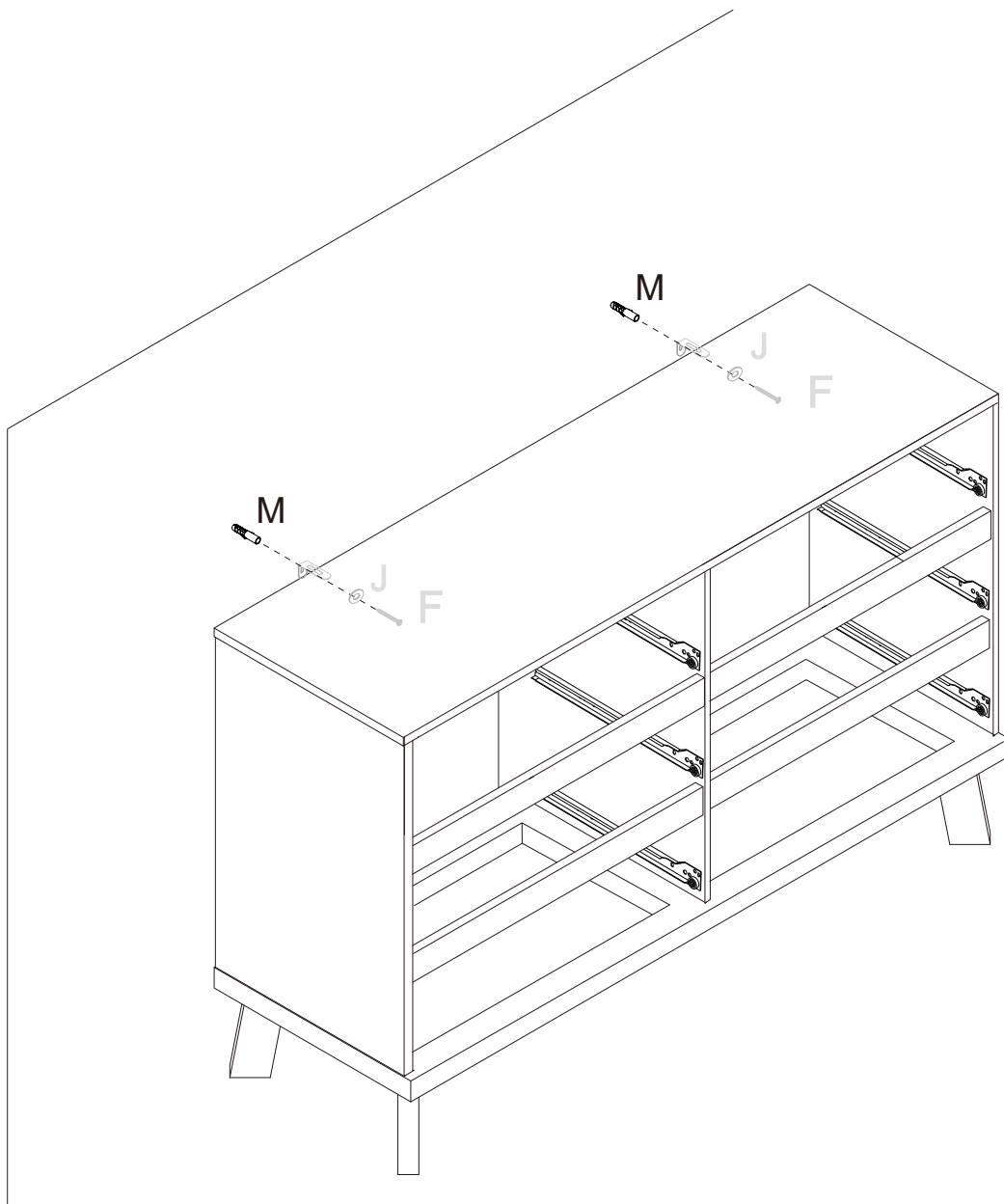
Step 10

○ x8	Ⓟ x8
	

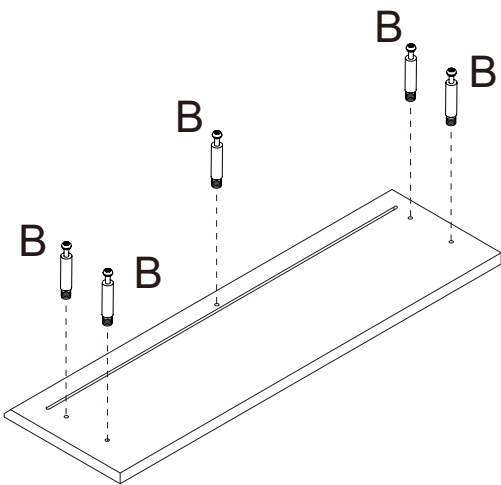
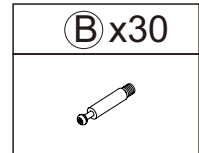


Step 11

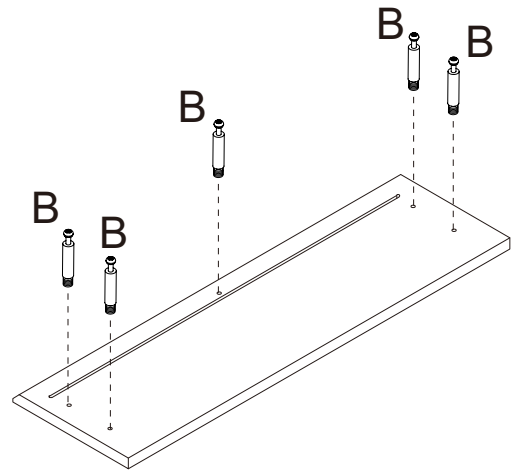
ⓕx2	ⓐx2	Ⓜx2
		



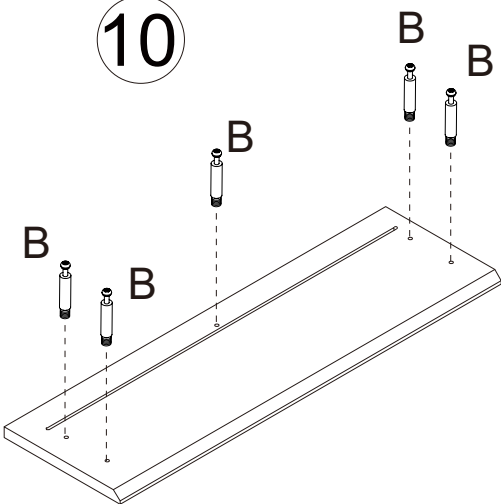
Step 12



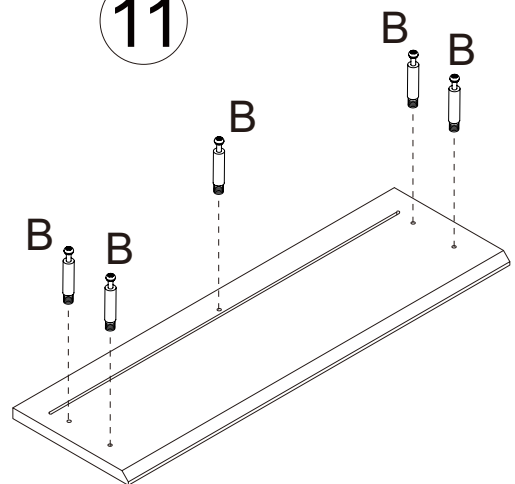
10



11

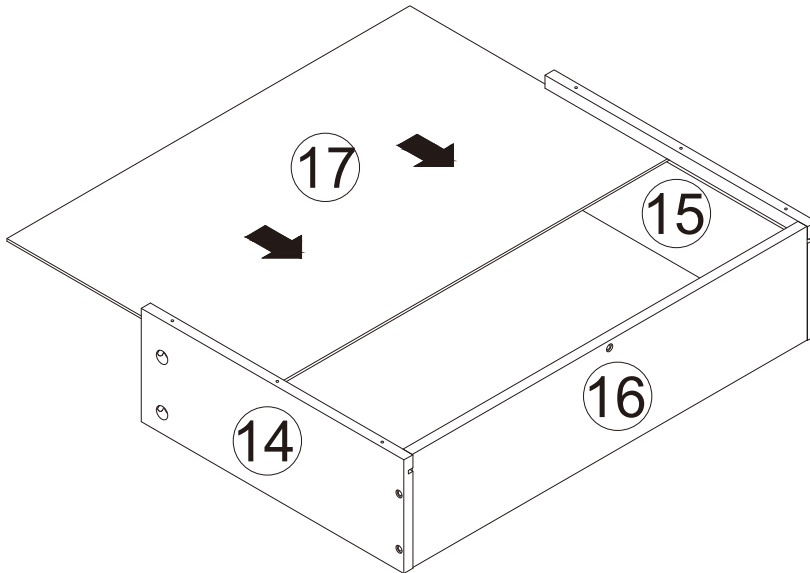
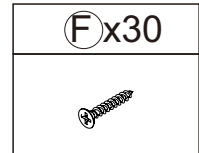


12 X 2

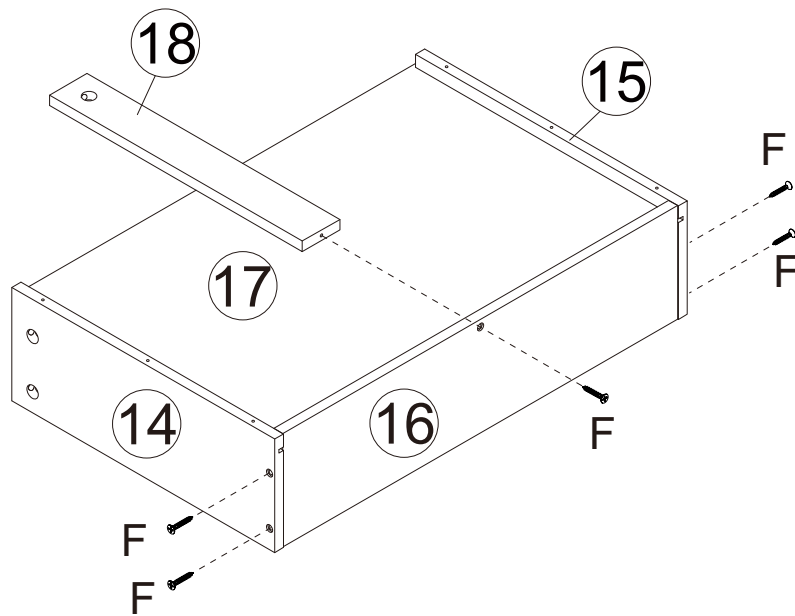


13 X 2

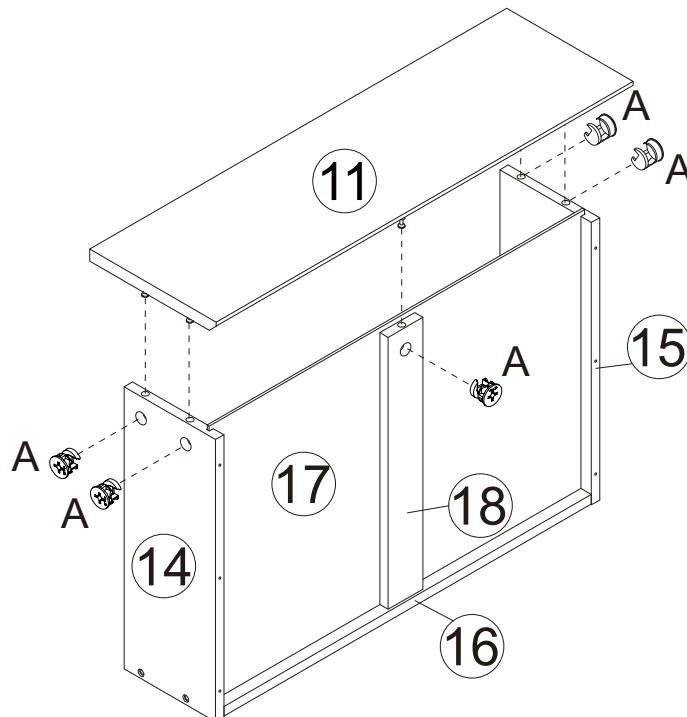
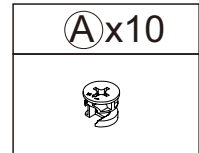
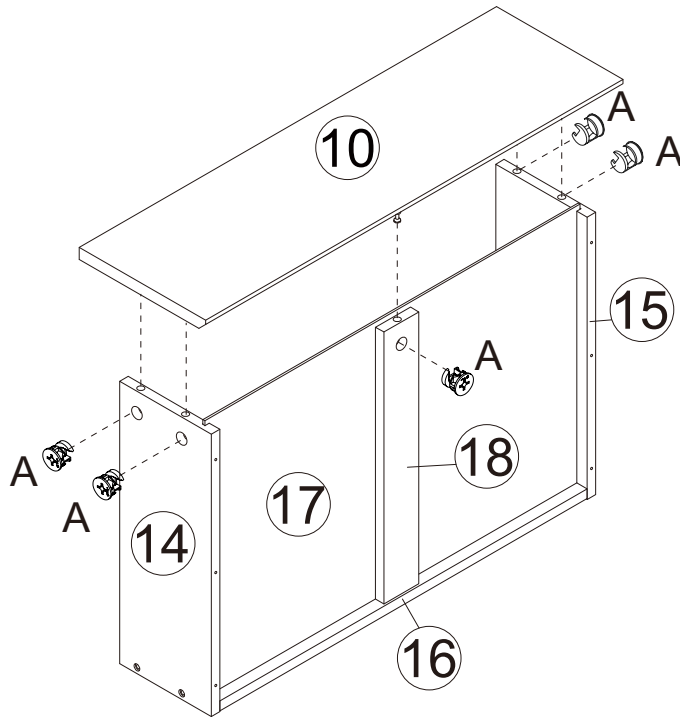
Step 13



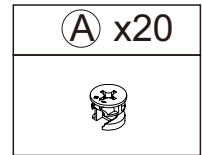
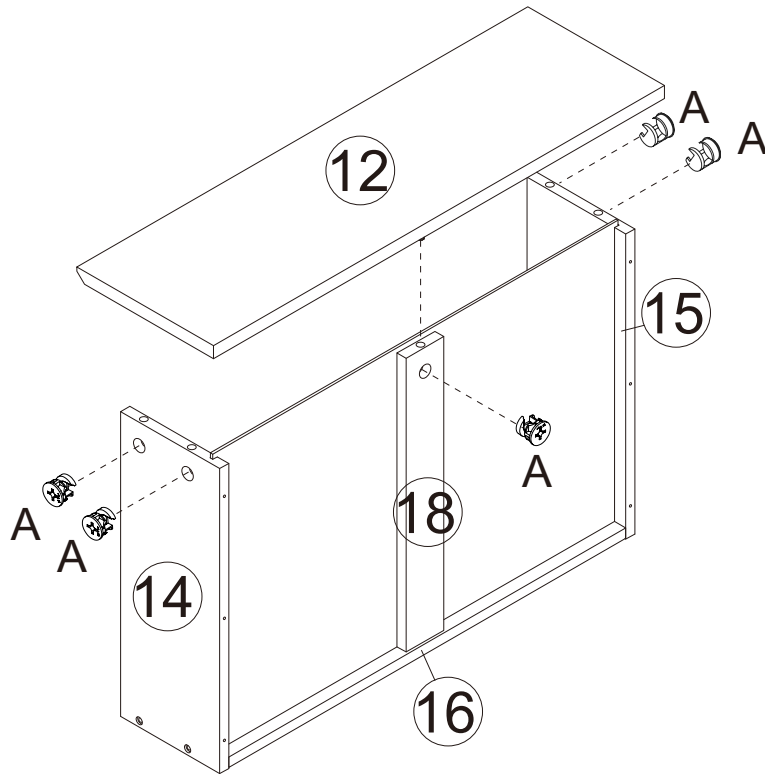
X 6



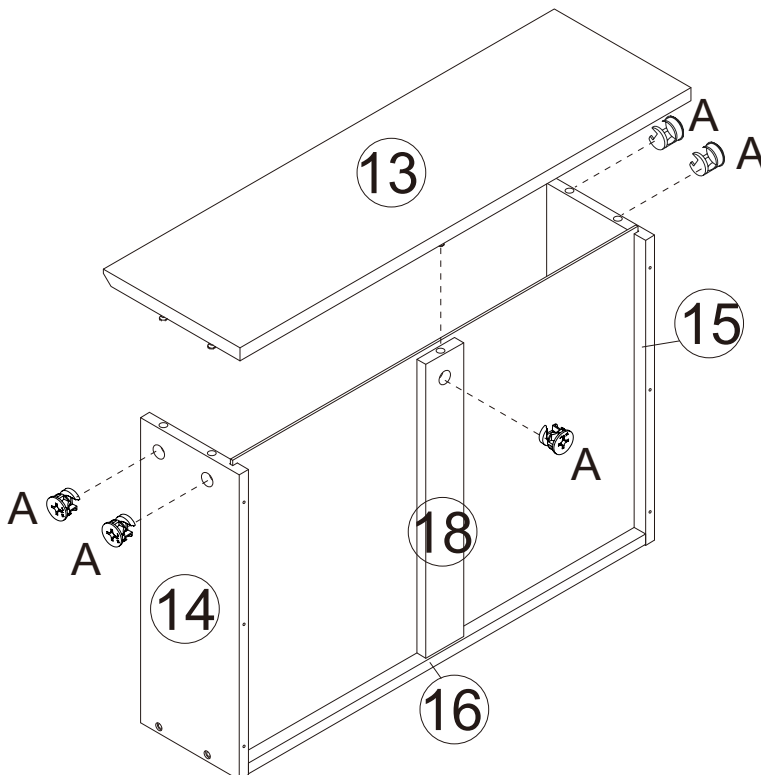
Step 14






Step 15



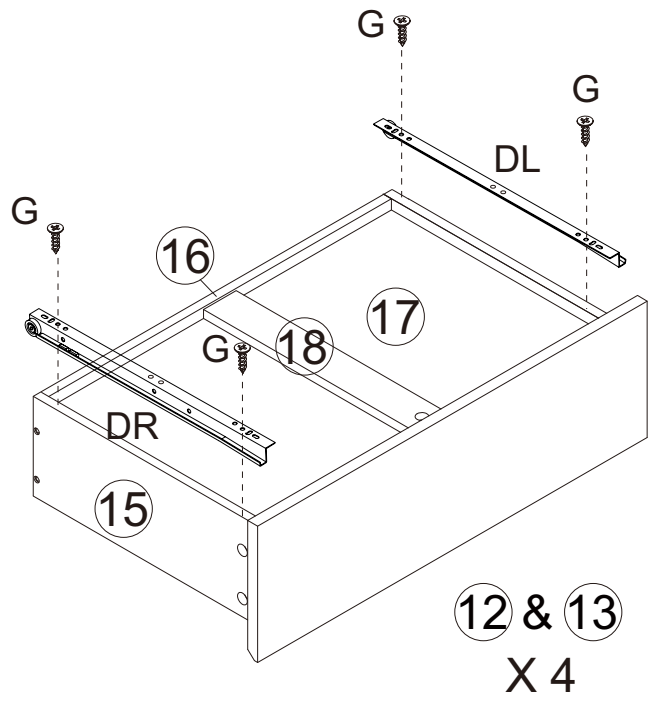
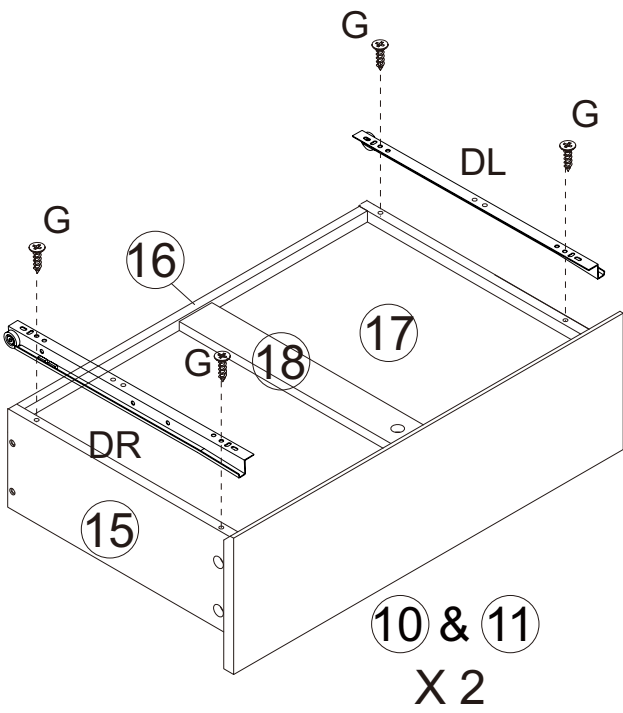
X 2



Step 16

ⓐ x24	ⓓ x6	ⓓ x6
		

Drawers x6



Step 17

