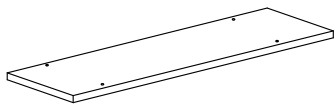
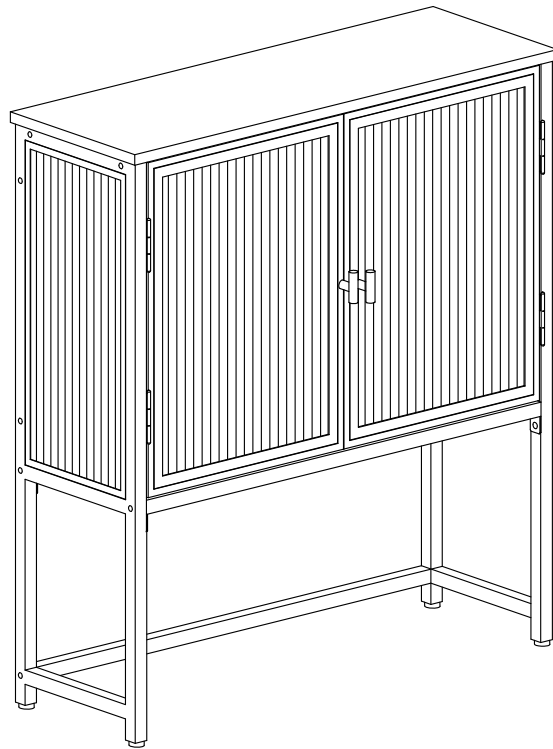
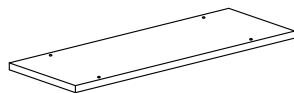


# ASSEMBLY INSTRUCTION

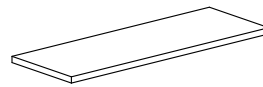
\*\*\* DO NOT TIGHTEN SCREWS UNTIL COMPLETELY ASSEMBLED\*\*\*



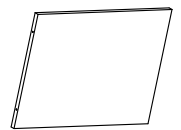
A×1PC



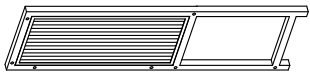
B×2PCS



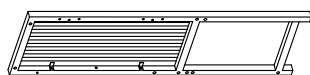
C×1PC



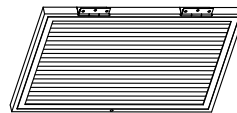
D×1PC



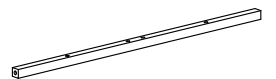
E×1PC



F×1PC



G×2PCS



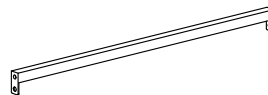
H×1PC



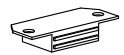
I×1PC



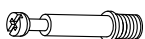
J×1PC



K×2PCS

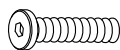


L×1PC



M6×35mm

M×4PCS



M6×30mm

N×14PCS



M6×12mm

O×8PCS



M4×10mm

P×14PCS

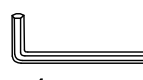


M4×25mm

Q×2PCS



R×2PCS



4mm

S×1PC

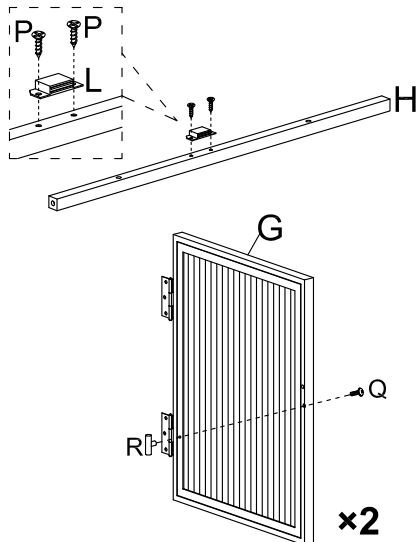
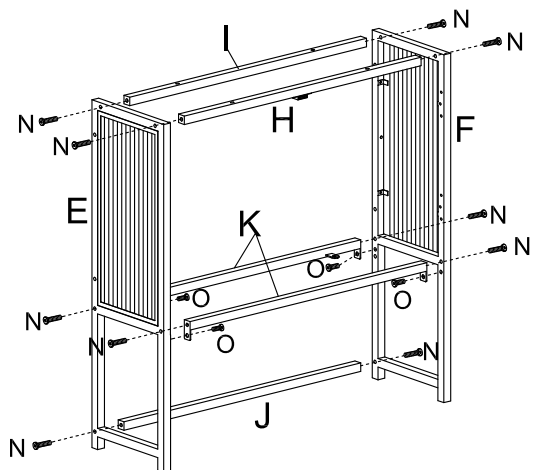
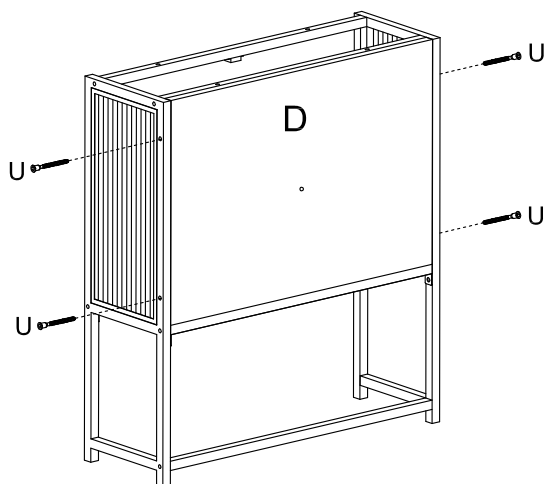
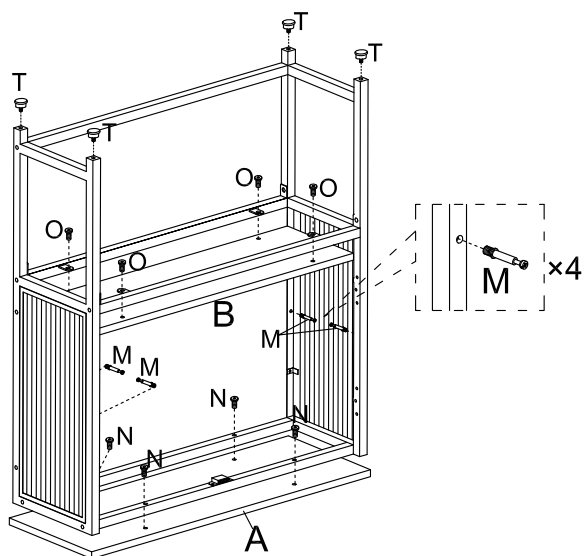
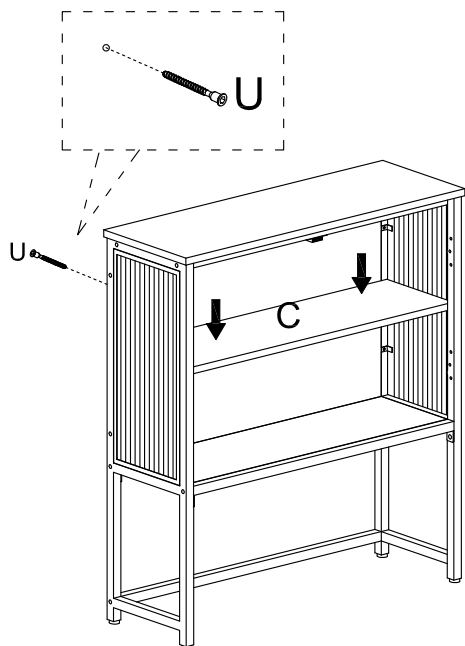


T×4PCS



M7×40mm

U×5PCS

**1****2****3****4****5****6**