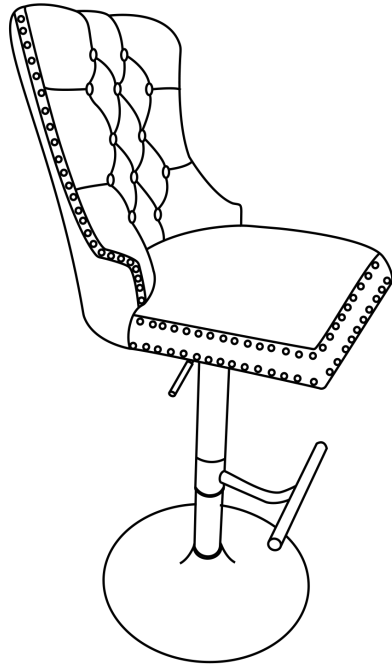
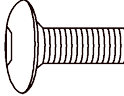



ASSEMBLY INSTRUCTION

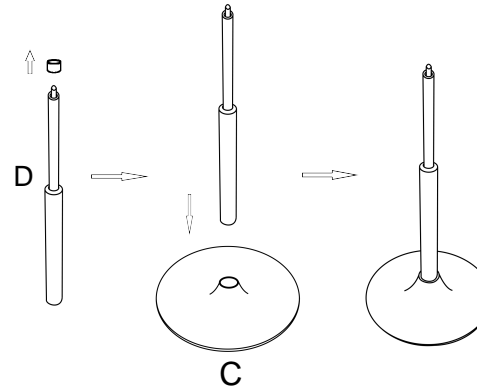


Hardware List

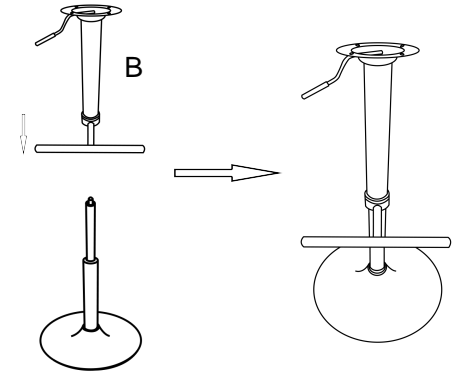
LABEL		DESCRIPTION	QTY
H1		Screw M6x16mm	4
H2		Allen key M6	1

Assembly Steps

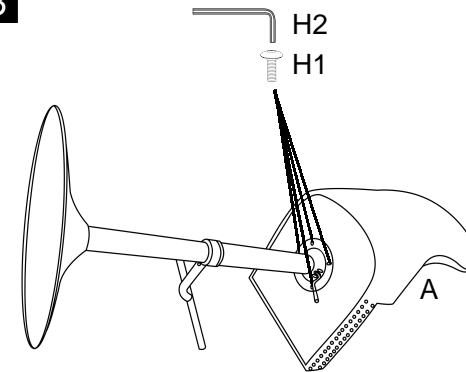
1 Remove the blackcap first



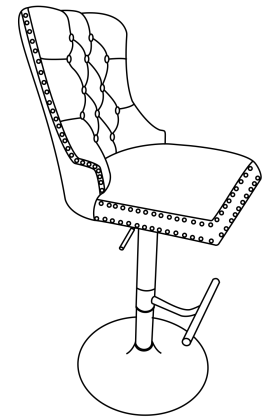
2




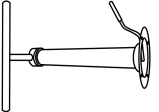
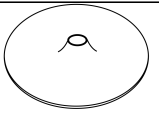
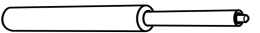
3



4



Component List

LABEL		DESCRIPTION	QTY
A		Seat	1
B		Footrest	1
C		Base	1
D		Gaslift	1

WARNING:

DO NOT STAND THE PRODUCT, DO NOT USE THIS PRODUCT AS A STEP LADDER.
DO NOT USE THIS PRODUCT UNLESS ALL BOLTS, SCREWS AND KNOBS ARE FIRMLY SECURED.
PLEASE DO NOT USE KNIFE TO OPEN ANY PARTS OR THE BOX OR PRODUCT