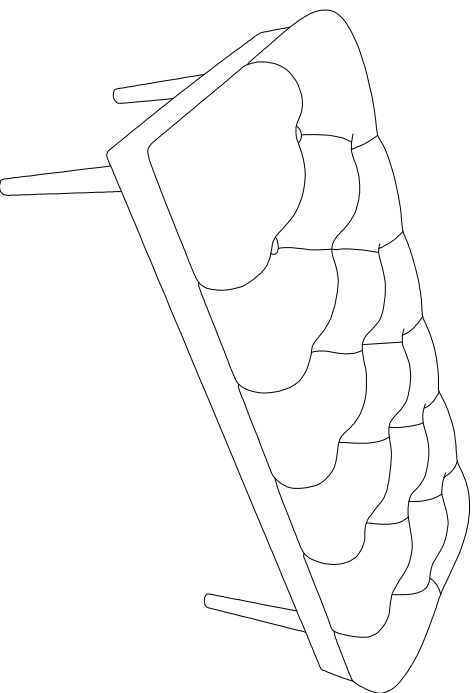


# ASSEMBLY INSTRUCTION

TN-2301



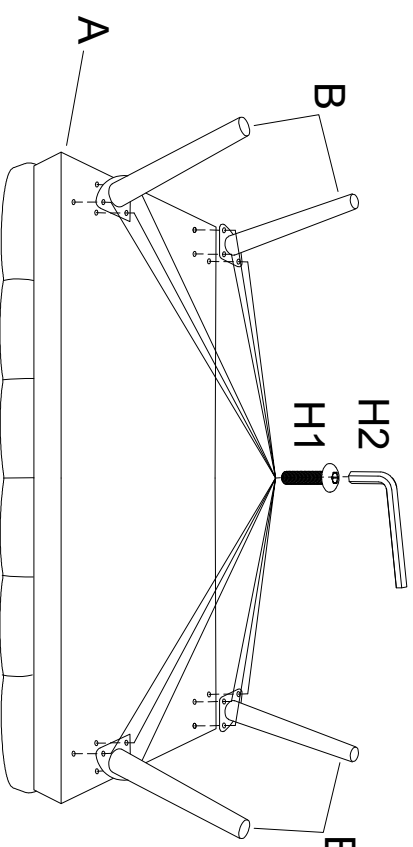
## Component List

LABEL	DESCRIPTION	QTY
A	Seat	1
B	Leg	4

## Hardware List

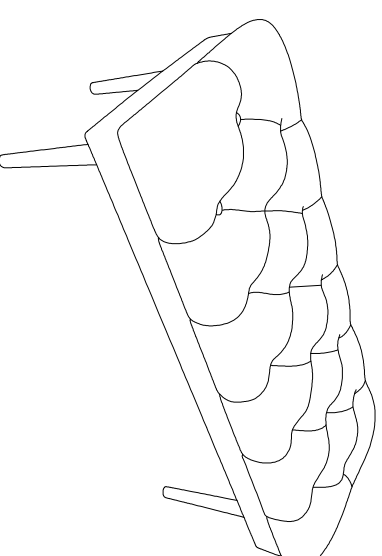
LABEL	DESCRIPTION	QTY
H1	SCREW M6×25mm	12
H2	Allen key M8	1

1



Tighten the screws to 80% tightness.

2



Adjust the chair so that it is level, then fully tighten all the screws.