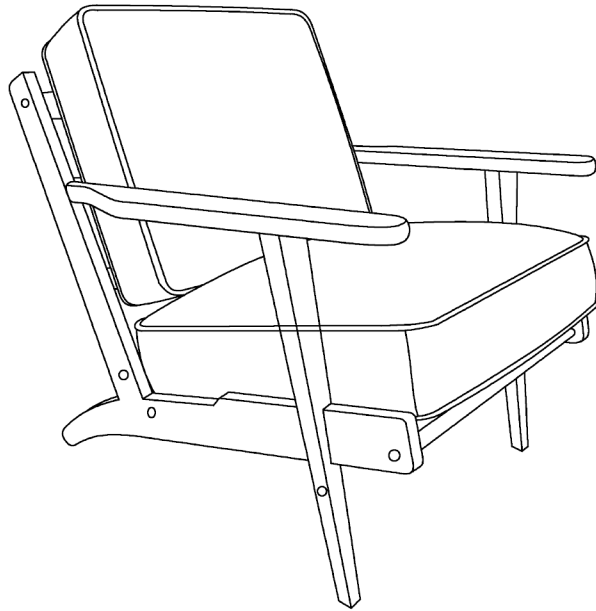
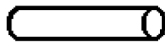
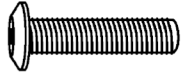



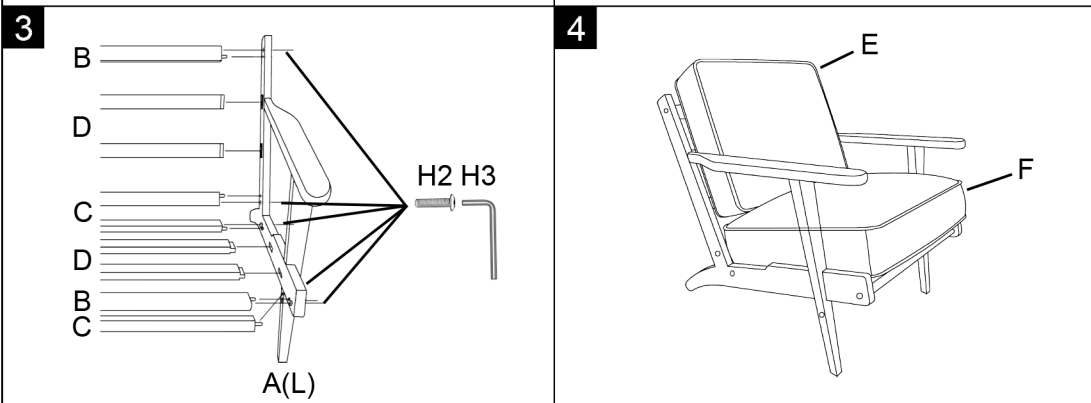
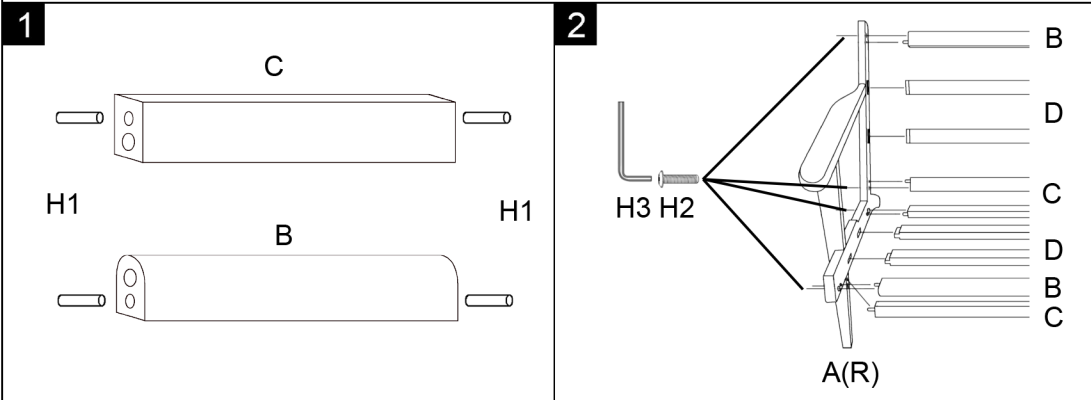
# ASSEMBLY INSTRUCTION



## Hardware List

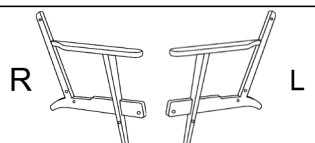



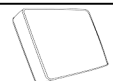

LABEL		DESCRIPTION	QTY
H1		Wood pin	10
H2		Screw	10
H3		Allen key	1

## Assembly Steps



**WARNING:**  
 DO NOT STAND THE PRODUCT, DO NOT USE THIS PRODUCT AS A STEP LADDER.  
 DO NOT USE THIS PRODUCT UNLESS ALL BOLTS, SCREWS AND KNOBS ARE FIRMLY SECURED.  
 PLEASE DO NOT USE KNIFE TO OPEN ANY PARTS OR THE BOX OR PRODUCT

## Component List

LABEL		DESCRIPTION	QTY
A		Arm	1
B		Wood crosspiea	2
C		Wood crosspiea	3
D		Wood crosspiea	4
E		Back cushion	1
F		Seat cushion	1