

# WARNING!!

**Children have died from furniture tipover. Tip restraints have been included with this product; you must install the tip restraints according to these instructions in order to minimize the risk of furniture tipping. If you have any questions about this product or the tip restraint, please send us an email at [tip\\_restraint\\_help@Noblehousefurniture.com](mailto:tip_restraint_help@Noblehousefurniture.com)**

**NEVER allow children to climb or hang on furniture, including drawers or cabinet doors.**

**In addition to installing the restrains, to help prevent tip-over**

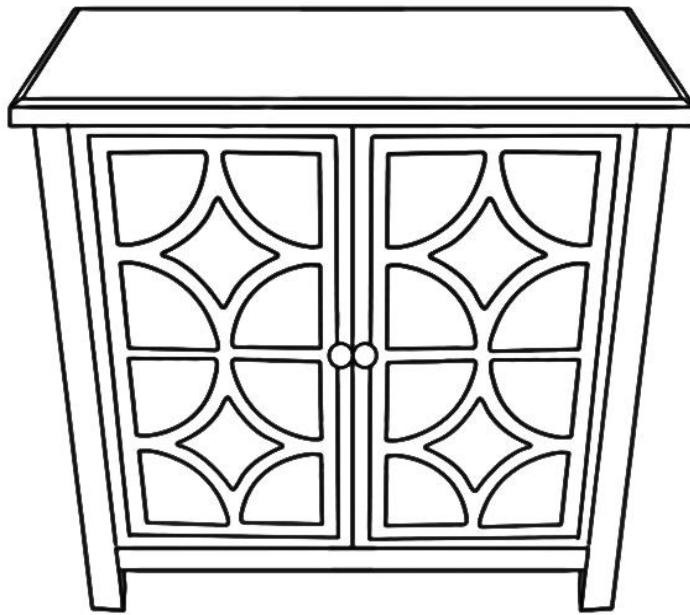
- 1. NEVER put a TV or other heavy objects on top of this product".**
- 2. Do not stand on the product**

<b>⚠ WARNING</b>	
	<p><b>Children have died from furniture tipover. To reduce the risk of furniture tipover:</b></p> <ul style="list-style-type: none"><li>• ALWAYS install tipover restraint provided.</li><li>• NEVER put a TV on this product.</li><li>• NEVER allow children to stand, climb or hang on drawers, doors, or shelves.</li><li>• NEVER open more than one drawer at a time.</li><li>• Place heaviest items in the lowest drawers.</li><li>• Do not defeat or remove the drawer interlock system.</li></ul>
	<p><i>This is a permanent label. Do not remove!</i></p>

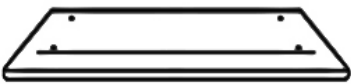
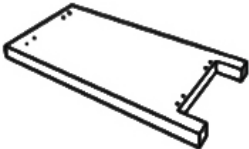
# Assembly Instructions

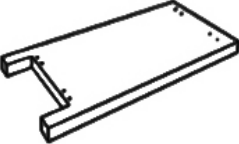



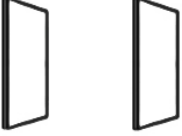




**Caution : You must read this before you proceed**

## Cabinet

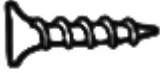











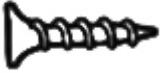

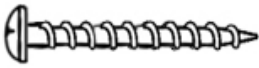


## Parts List

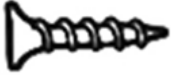

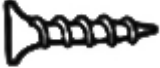



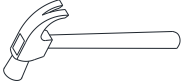
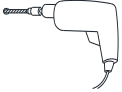
Label	Picture	Description	QTY
A		Top Panel	1
B		Left Side Panel	1

C		Right Side Panel	1
D		Bottom Panel	1
E		Left Door Panel	1
F		Right Door Panel	1
G		Back Panel	2
H		Shelf Panel	1
I		Slot Bar	1
J		Left Side Rail	1
K		Right Side Rail	1

# Hardware

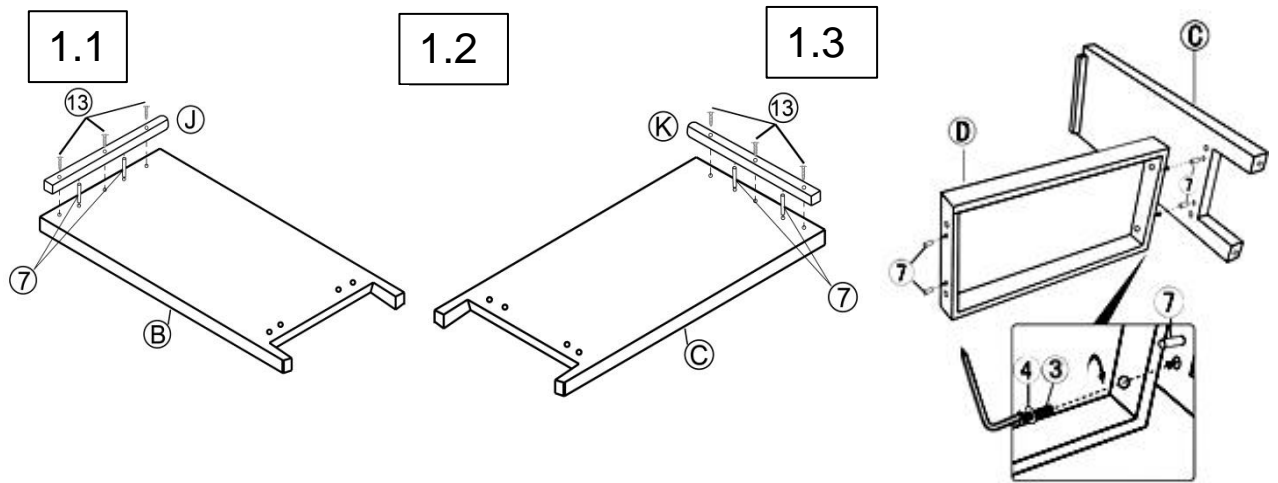
Label	Picture	Description	QTY
①		Screw (M3*14MM)	25
②		Bolt (M4*18MM)	3
③		Bolt (M6*35MM)	9
④		Washer	9
⑤		Door Stopper	2
⑥		Adjustable Leveller	5
⑦		Positioning Dowel	17

⑧		Door Knob	2
⑨		Allen Key	1
⑩		Corner Support	4
⑪		Bolt (M3*12MM)	5
⑫		Bolt (M3*14MM)	5
⑬		Bolt (M4*40MM)	7
⑭		Hinge	4
⑮		Washer	2

⑩⑥		Bolt (M3*16MM)	5
Restraint Device Hardware			
⑩⑦		Restraint Strap	2
⑩⑧		Screw	2
⑩⑨		Wall Anchor	2
⑩⑩		Screw	2
⑩⑪		Metal Gasket	4
⑩⑫		Hammer (not provided)	1
⑩⑬		Power Drill (not provided)	1

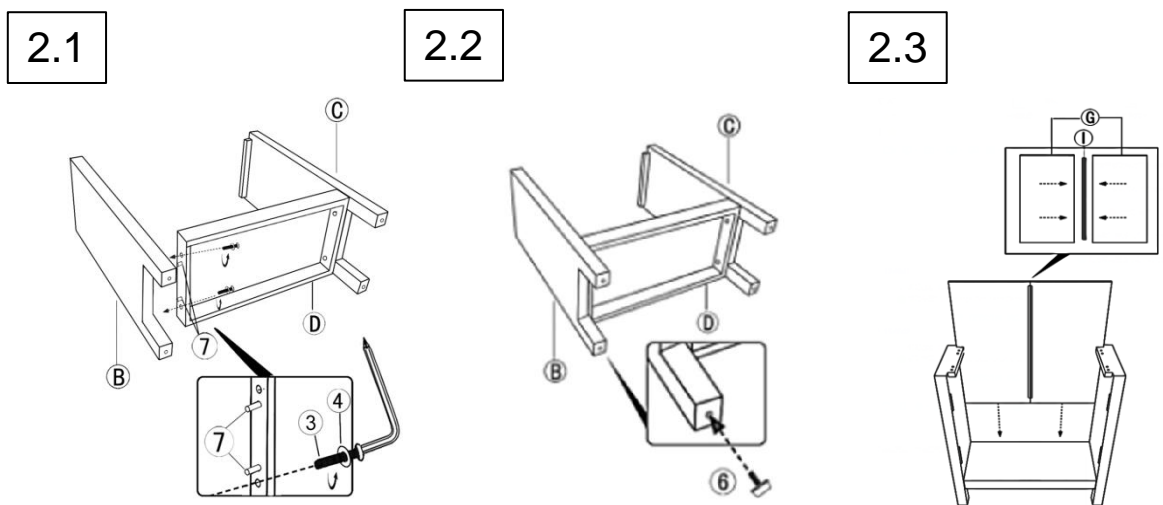


## Step 1



- 1.1) Insert Positioning Dowel(7) into the mounting positions on Left Side Panel(B) . Attach the Left Side Rail(J) to the Left Side Panel(B) using Bolt(13) with Allen Key(9) .
- 1.2) Insert Positioning Dowel(7) into the mounting positions on the Right Side Panel(C) . Attach Right Side Rail (K) to the Right Side Panel(C) using Bolt(13) with Allen Key(9) .
- 1.3) Insert Positioning Dowel(7) into the mounting positions on the Bottom Panel(D) . Attach the Right Side Panel(C) to the Bottom Panel(D) using Washer(4) and Bolt(3) . Fully tighten it until secure.

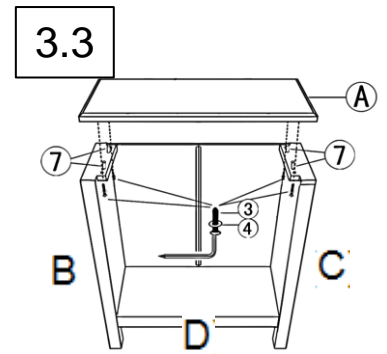
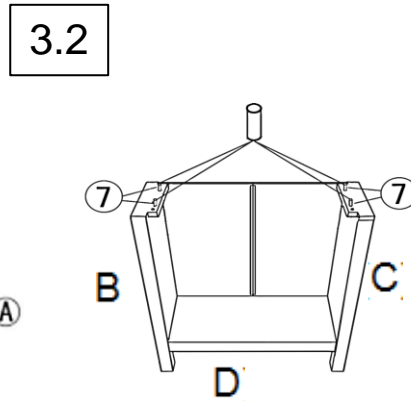
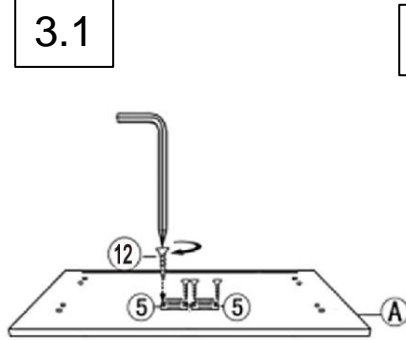
## Step 2



- 2.1) Attach Left Side Panel(B) to Bottom Panel(D) using Bolts(3) and Washers(4) with Allen Key(9).
- 2.2) Attach Adjustable Leveller(6) to the legs of Left Side Panel(B) and Right Side Panel(C) by hand.
- 2.3) Insert Back Panels(G) into the grooves on Left Side Panel(B), Right Side Panel(C) and Bottom Panel(D). Insert Slot Bar(I) into the middle of the Back Panels(G).



## Step 3

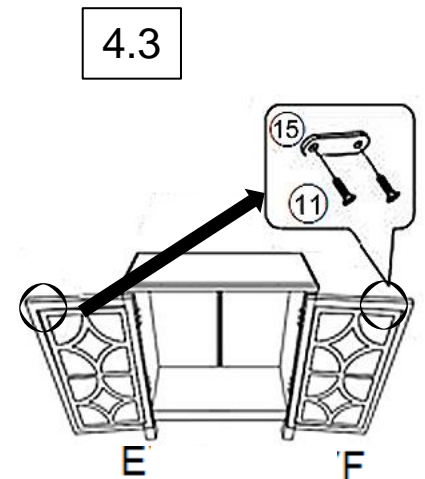
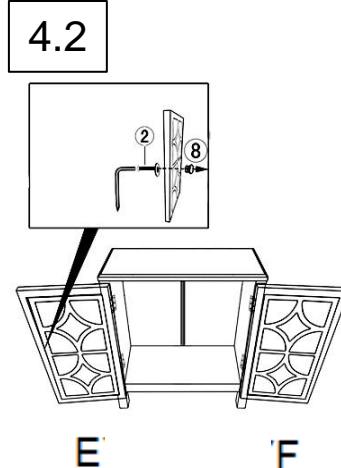
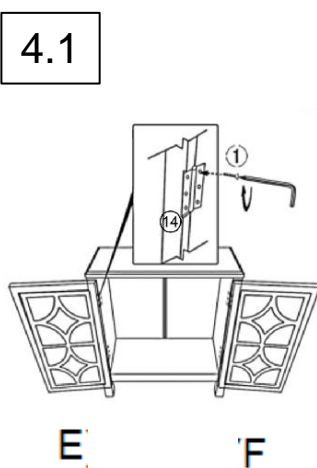


**3.1)** Attach Door Stopper(5) to the bottom side of the Top Panel(A) using Bolt(12) with Allen Key(9).

**3.2)** Insert Positioning Dowels(7) into mounting positions on the Left Side Panel(B) and Right Side Panel(C) as shown.

**3.3)** Attach Top Panel(A) to Left Side Panel(B) and Right Side Panel(C) using Bolts(3) and Washers(4) with Allen Key(9).

## Step 4



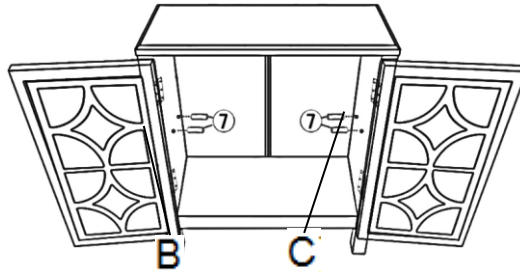
**4.1)** Attach the Left Door Panel(E) and Right Door Panel(F) to Left Side Panel(B) and Right Side Panel(C) using Hinge (14) and Screws(1) with Allen Key(9).

**4.2)** Attach Door Knobs(8) to the Left Door Panel(E) and Right Door Panel(F) using Bolts(2) with Allen Key(9).

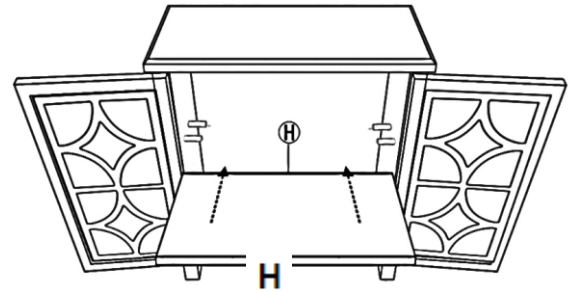
**4.3)** Attach Washer (15) to Left Door Panel(E)&Right Door Panel(F) with Bolt(11).

## Step 5

5.1



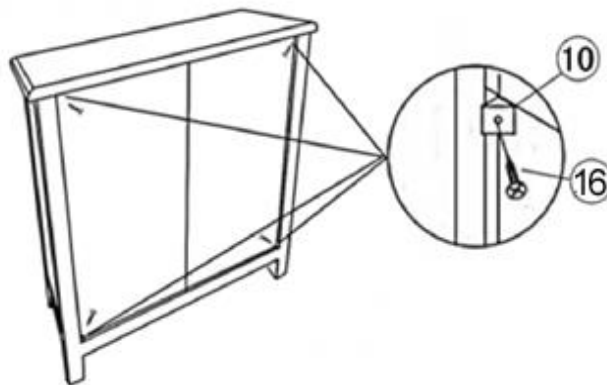
5.2



**5.1)** Insert Positioning Dowels(⑦) into the pre-drilled mounting positions in the inside of the Left Side Panel(B) and Right Side Panel(C).

**5.2)** Place the Shelf Panel(H) onto the Positioning Dowels(⑦).

## Step 6

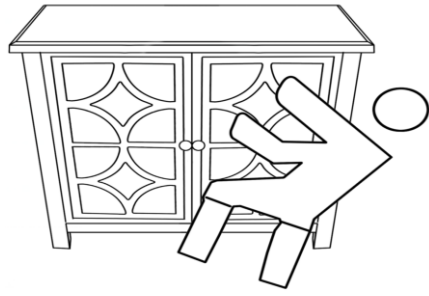


Attach Plastic Corner Supports(⑩) to the back four corners of the Cabinet using Screws(⑯) with Allen Key(⑨).



### WARNING

Serious or fatal crushing injuries can occur from tipping furniture.  
To help prevent tip-over: ALWAYS secure this furniture to the wall using  
the Cabinet Restraint Device.  
See product instructions for more ways to help prevent furniture tip-over.

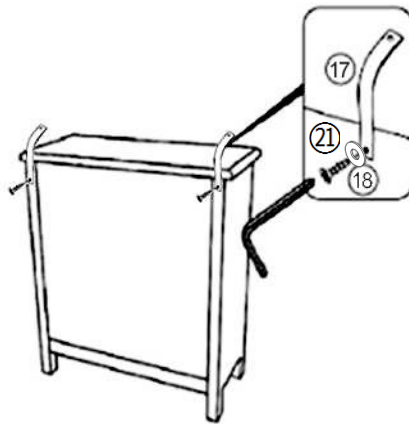


**Usage For Cabinet Restraint Device:**

To Secure Cabinet against wall, attach Restraint Strap(17) to wall and product.

**Instructions:**

**Step 7**

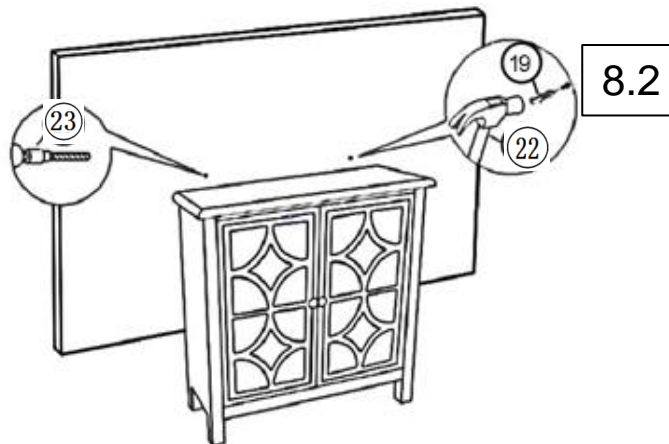


Turn the Cabinet so the back faces you.

Attach Restraint Strap(17) to the Left Side Panel(B) & Right Side Panel(C) using Screw(18) and Metal Gasket (21) with Allen Key(9).

**Step 8**

8.1



8.2

8.1) Drill two holes on wall with Power Drill(23) .

**You can mark these points in two ways as below:**

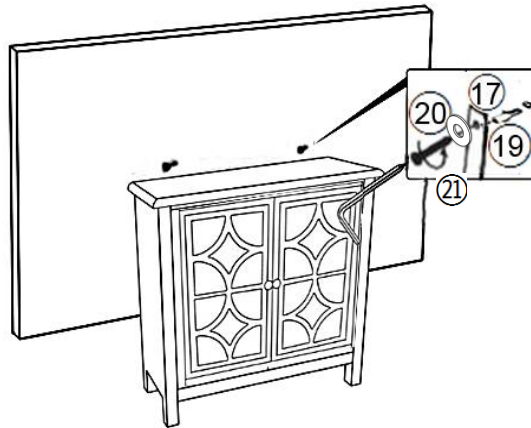
1) Move the Cabinet back to the wall.

**Note: The restraint strap need to be secured to solid, load bearing surface. Please use a Stud Finder(not supplied) if needed to locate the Wall Frame.**

2) Measure the height of Restraint Strap (17) with ruler/measuring tape and mark on wall to keep them accurate and same height.

8.2) Insert Wall Anchor (19) into drilled holes on wall with Hammer(22) .

## Step 9

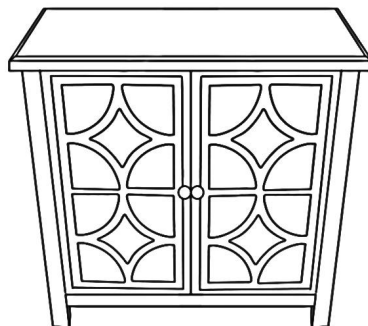


Attach Restraint Strap( 17) to Wall Anchor (19) using Screws(20) ) and Metal Gasket (21) with Allen Key(9).

Move Cabinet to the wall.

The Cabinet Restraint Device is installed.












## Step 10



Your Cabinet is ready for use.

**This Cabinet can only be used on a flat, level surface.**

## **Care & Maintenance**

- ✓  • Furniture may scratch floors. We recommend using furniture pads to protect your floors.
  - ⊘  • Do not put hot items directly on furniture surface.
  - ⊘  • Do not clean furniture with harsh cleansers or polish.
  - ⊘  • Do not place furniture under direct sunlight.
  - ⊘  • Do not place furniture near heating or cooling vents.
  - ⊘  • Do not write on furniture without a padded barrier to protect the surface.
  - ⊘  • Do not place furniture outside . For indoor use only.
  - ⊘  • Not for commercial use. For residential use only.
  - ⊘  • Stains may be removed with mild soap solution and damp cloth.
  - ⊘  • Children should not climb or jump on the furniture.
- 
- ✓  • Dust and pick-up spills using a clean, non-colored, lint-free cloth.

Noble house Home Furnishings LLC