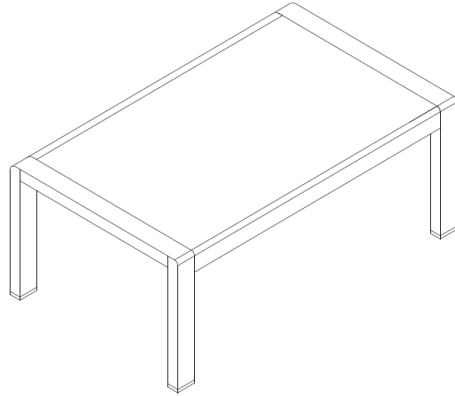


# Assembly Instructions

Caution: You must read this before you proceed

## Table



### Parts List

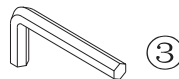
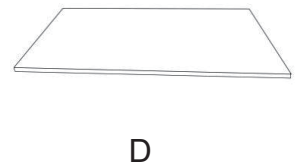
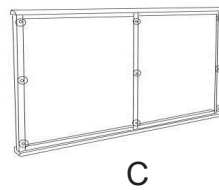
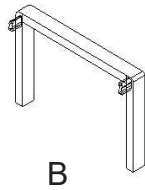
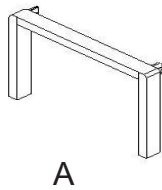
| Label | Picture | Description                         | QTY |
|-------|---------|-------------------------------------|-----|
| A     |         | Left Leg                            | 1   |
| B     |         | Right Leg                           | 1   |
| C     |         | Table Top Frame (with Suction Cups) | 1   |
| D     |         | Glass Top                           | 1   |

### Hardware

| Label | Picture | Description   | QTY |
|-------|---------|---------------|-----|
| ①     |         | Bolt(M6*20MM) | 5   |
| ②     |         | Bolt(M6*25MM) | 5   |
| ③     |         | Allen Wrench  | 1   |
| ④     |         | Glass sucker  | 1   |

# Assembly Preparation

Before Beginning Assembly:



- Read instructions, cover to cover-



- Have 2 adults on hand for assembly-



- Do not assemble on flooring or carpet-

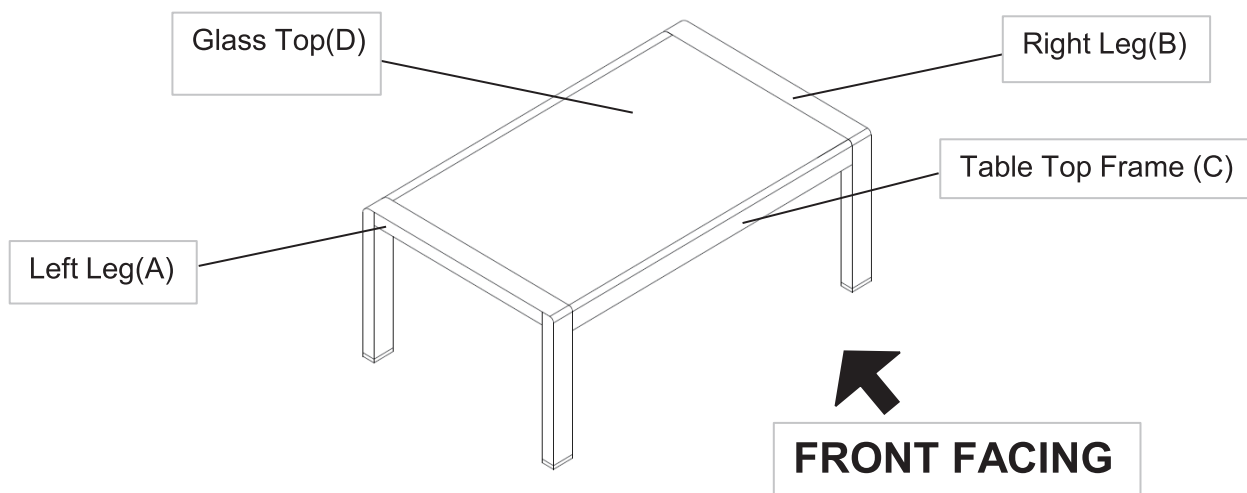


- Assemble on a clean non-marring surface (packing foam)-



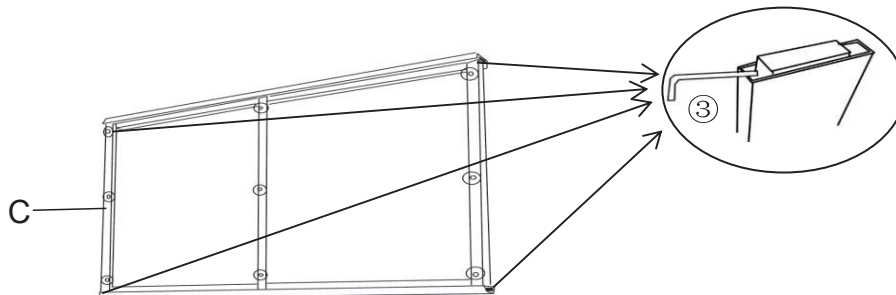
- Save all packaging until finished-

# Assembly Steps



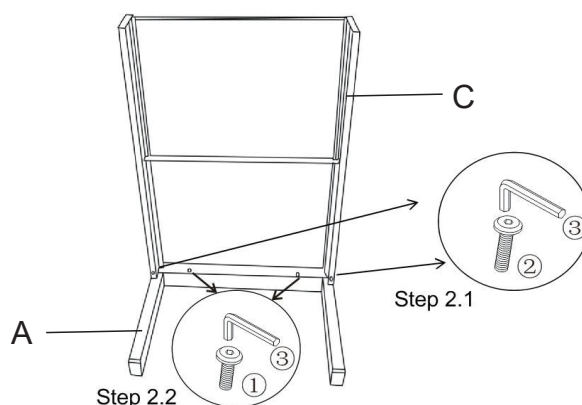
This Table has multiple parts and may require up to some 30 minutes to assemble. To give you an overview of the Table parts, the above picture is to help you put the various parts into perspective. Please read through the instructions below to familiarise yourself with the parts and steps before assembly.

## Step 1



Take out the sliders in the four ends of Table Top Frame(C ) using Allen wrench (③).

## Step 2



Open the carton and place all the parts on a clean, non-marring surface.

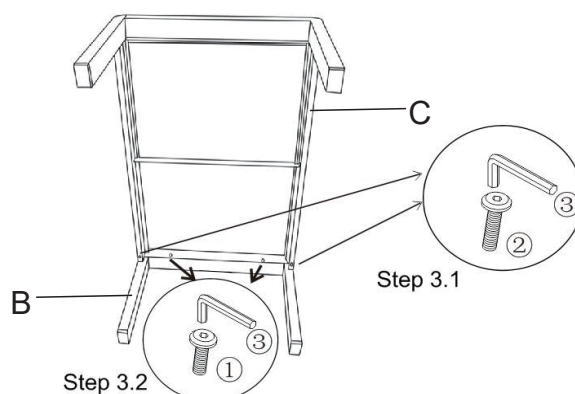
2.1 Attach the Table Top Frame(C) to the Left Leg(A) using Bolt(②) and Allen wrench(③) as shown in the picture.

2.2 Attach the Table Top Frame(C) to the Left Leg(A) using Bolt(①) and Allen wrench(③) as shown in the picture.

**Do not fully tighten the Bolt.**

**Caution: The Table and its Parts are Heavy. Two adults are required for lifting and moving them.**

## Step 3



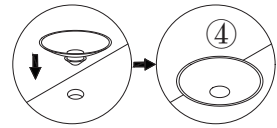
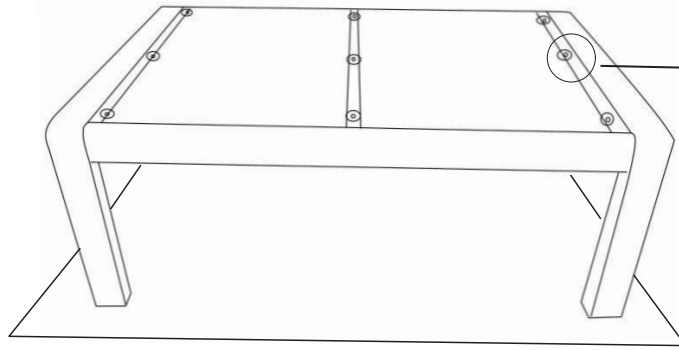
3.1 Attach the Table Top Frame(C) to the Right Leg(B) using Bolt(②) and Allen wrench(③) as shown in the picture.

3.2 Attach the Table Top Frame(C) to the Right Leg(B) using Bolt(①) and Allen wrench(③) as shown in the picture.

**Do not fully tighten the Bolt.**

**Caution: The Table and its Parts are Heavy. Two adults are required for lifting and moving them.**

## Step 4

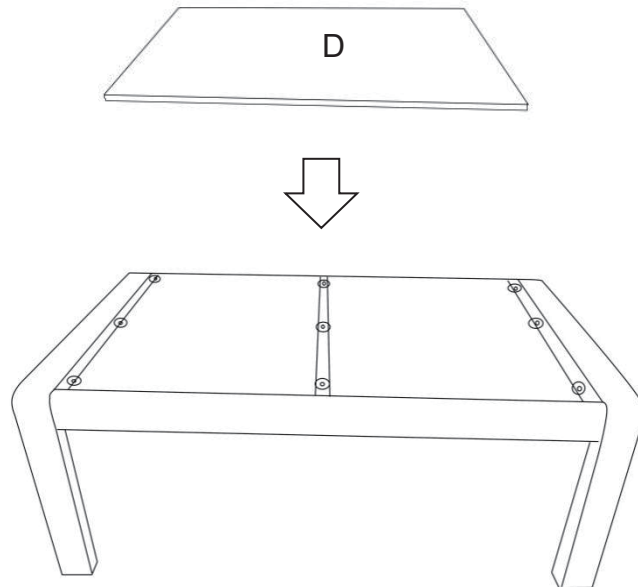


Caution: You can find glass suckers instead, if missing the plastic suction cups in the frame.

Stand up the table, check stability and then tighten the bolts.

**Note DO NOT fully tighten a BOLT in one go and then move on to the next. Rather, In a sequential manner, gradually tighten each Bolt until all bolts are evenly secured. This methodology will ensure maximum evenness once all Bolts are fully tightened.**

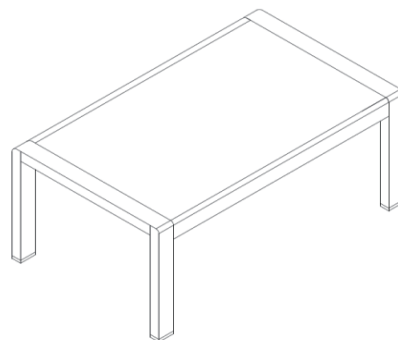
## Step 5



Place the Glass Top(D) on the assembled Table Frame.



















**Caution: The Table and its Parts are Heavy. Two adults are required for lifting and moving them.**

## Step 6



Your Table is ready for use.

## Care & Maintenance

-   ● Do not put hot items directly on furniture surface
  -   ● Do not clean furniture with harsh cleansers or polish.
  -   ● To obtain the longest lifespan of your outdoor products, minimizing exposure to direct sunlight is recommended.
  -   ● Children should not climb or jump on the furniture.
  -   ● Do not write on furniture without a padded barrier to protect the surface.
  -   ● To obtain the longest lifespan of your outdoor products, avoid extended and lengthy exposure to rain, snow, and direct sunshine. Whenever possible cover the product and /or place under patio or awnings.
  -   ● Not for commercial use. For residential use only .
  -   ● Stains may be removed with mild soap solution and damp cloth.
- 
-   ● Dust and pick-up spills using a clean, non-colored, lint-free cloth.