

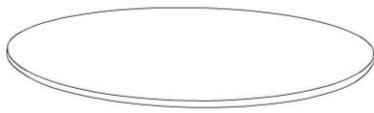

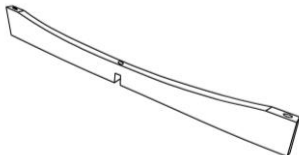
Assembly Instructions

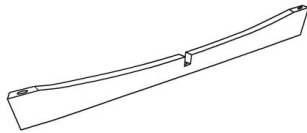
Caution : You must read this before you proceed

COFFEE TABLE


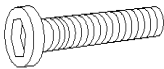



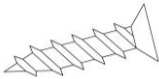
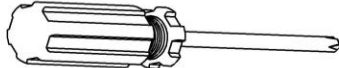


Parts List

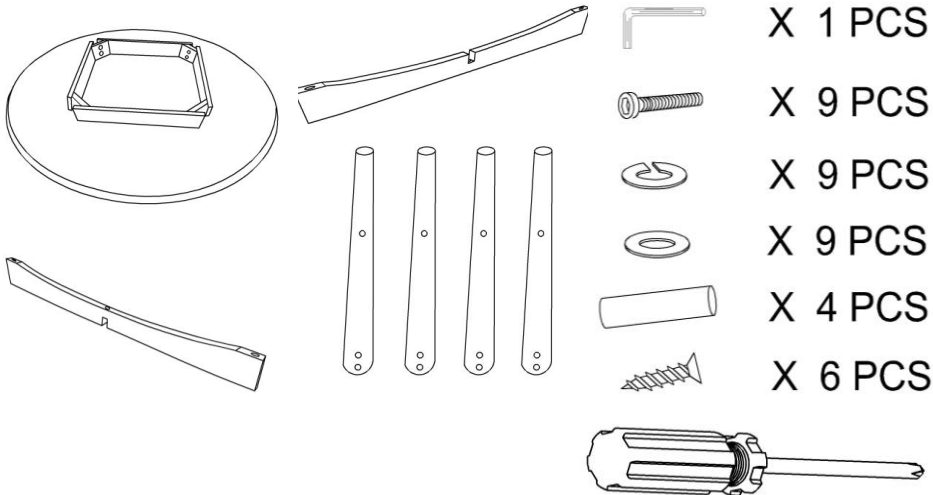
Label	Picture	Description	QTY
A		Table Top	1
B		Table Leg	4
C		Connecting rod	1

D		Connecting rod	1
---	---	----------------	---

Hardware

Label	Picture	Description	QTY
①		Allen Key (5mm)	1
②		Bolt (Φ 5/16"x2-1/4")	9
③		Spring Washer (Φ 5/16")	9
④		Flat Washer (Φ 5/16"x Φ 19x1.5mm)	9
⑤		Wood Tenon (Φ 8x30mm)	4
⑥		Rapid tooth (Φ 8x1-1/4")	6
⑦		Screwdriver (not provided)	1

Assembly Preparation

<p>Before Beginning Assembly:</p> 	<p>X 1 PCS</p> <p>X 9 PCS</p> <p>X 9 PCS</p> <p>X 9 PCS</p> <p>X 4 PCS</p> <p>X 6 PCS</p>
--	---



- Read instructions, cover to cover-



- Have 2 adults on hand for assembly-



- Do not assemble on flooring or carpet-



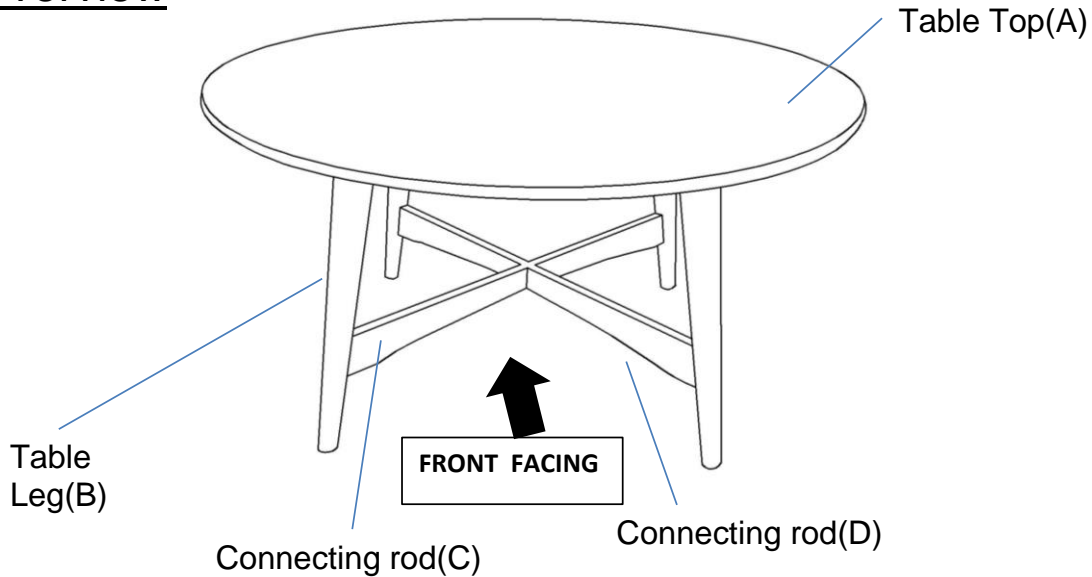
- Assemble on a clean non-marring surface (packing foam)-



- Save all packaging until finished-

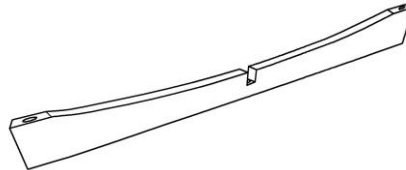
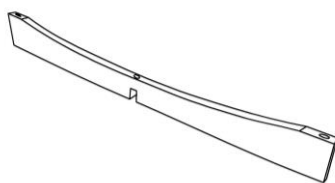
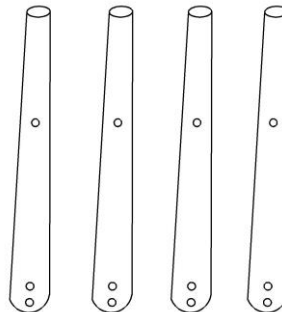
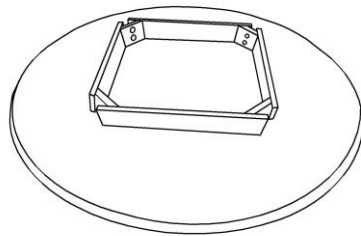
Assembly Steps

Overview



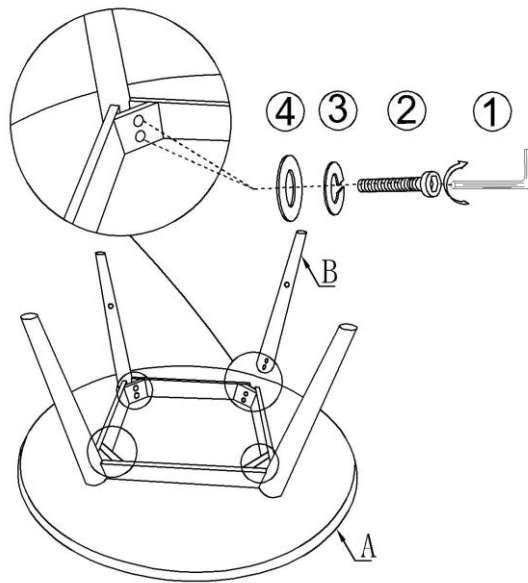
This table has multiple parts and may require up to some 30 minutes to assemble. To give you an overview of the table parts, the above picture is to help you put the various parts into perspective. Please read through the instructions below to familiarise yourself with the parts and steps before assembly.

Step 1



Unpack and place all parts on a clean, non-marring surface.

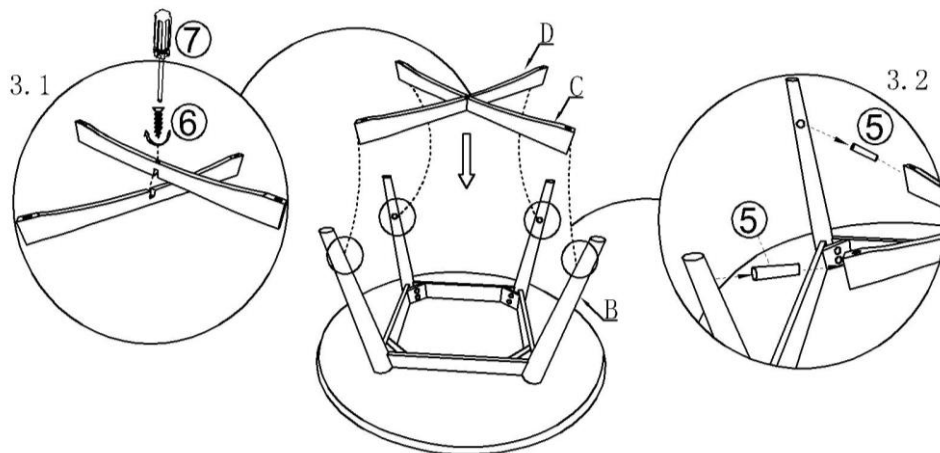
Step 2



Place Table Top (A) down and Table legs(B) up.
Place on a clean soft surface to avoid scratches or damage to the product.

Table top (A) and table leg (B) are secured with Allen Key (①) and Bolts (②), Spring washer (③), Flat washer (④) fixed. Loosely tighten the screws temporarily, as shown in the figure.

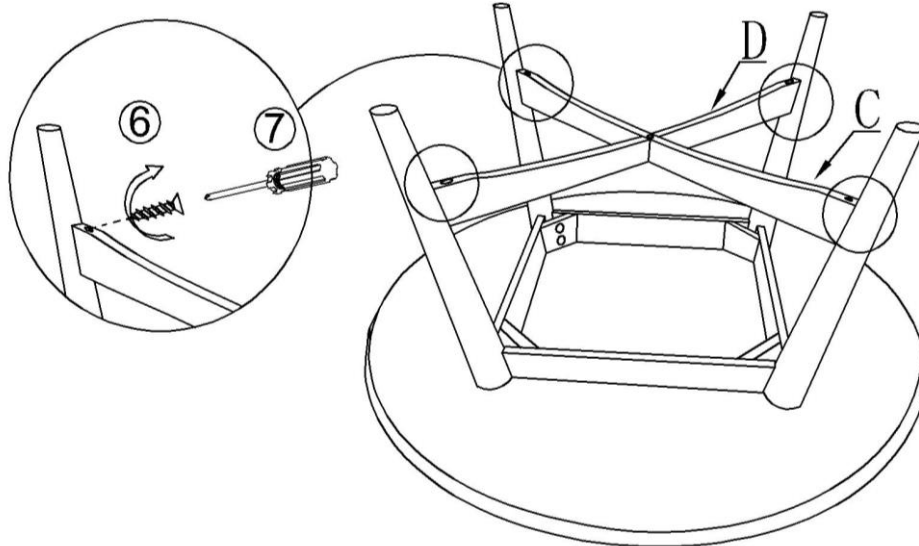
Step 3



First, fix the connecting rods (C) and (D) with a screwdriver (⑦) and Rapid tooth (⑥), as shown in Figure (3.1).

The wooden tenon (⑤) is inserted into the connecting rod (C) (D) and the table leg (B), as shown in Figure (3.2).

Step 4



Secure connecting rod (C) (D) and table leg (B) with Screwdriver (7) and Rapid tooth (6), as shown in the figure. Finally, tighten all the screws.

Step 5



CAUTION 1: When tightening these screws, tighten sequentially. If there is still wobbles, loosen the screws and execute this same process. Ensure all screws are fully locked into position.
Caution 2: This can only be used on a flat, level surface.
Your Table is ready for use.
This Table can only be used on a flat, level surface.

Care & Maintenance



- Furniture may scratch floors. We recommend using furniture pads to protect your floors.



- Do not put hot items directly on furniture surface.



- Do not clean furniture with harsh cleansers or polish.



- Do not place furniture under direct sunlight.



- Do not place furniture near heating or cooling vents.



- Do not write on furniture without a padded barrier to protect the surface.



- Do not place furniture outside . For indoor use only.



- Not for commercial use. For residential use only.



- Stains may be removed with mild soap solution and damp cloth.



- Children should not climb or jump on the furniture.



- Dust and pick-up spills using a clean, non-colored, lint-free cloth.