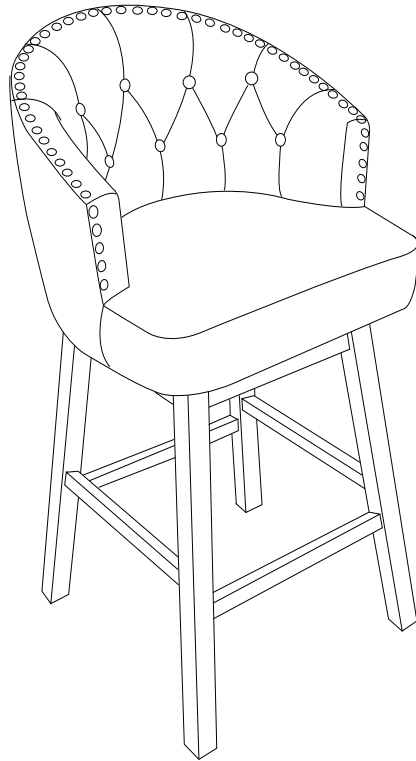


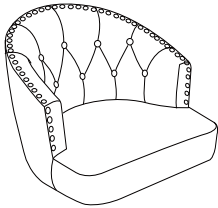
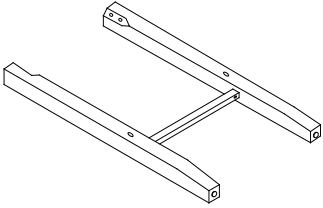
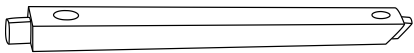
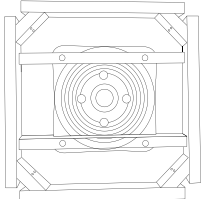
Assembly Instructions

Caution: You must read this before you proceed.

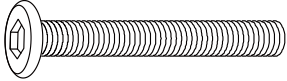
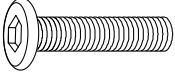
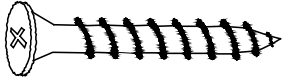

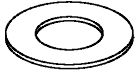

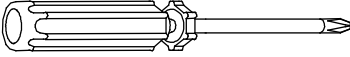
Bar Chair



Parts List

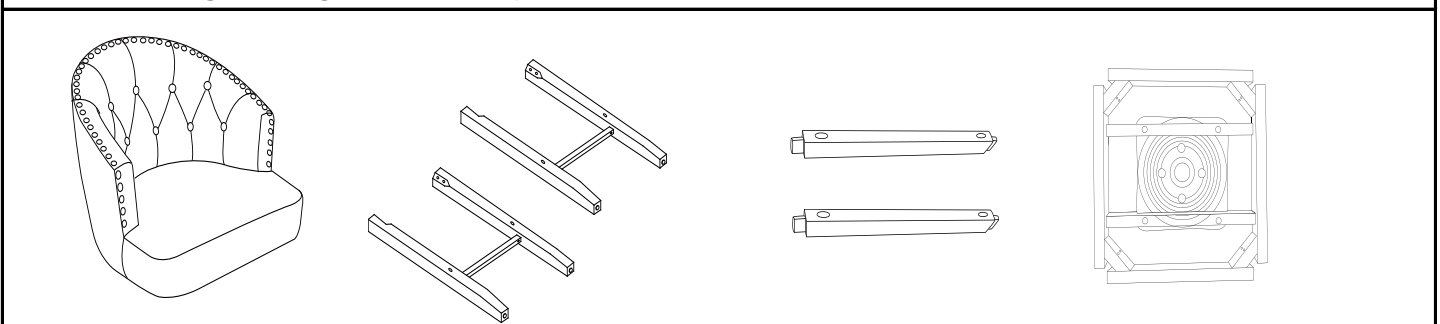
Part NO.	Picture	Description	QTY
A		Chair Back	1 PC
B		Chair Leg	2 PCS
C		Side Rail	2 PCS
D		Seat Plate	1 PC

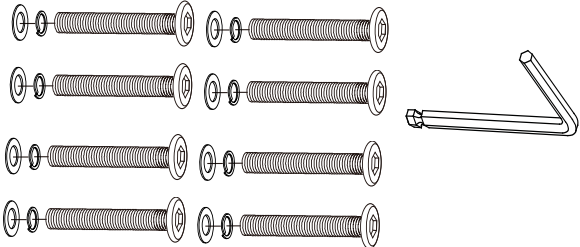
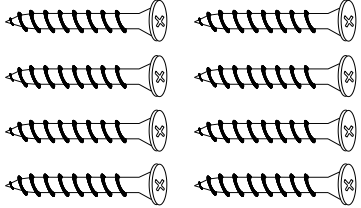
Hardware

Label	Picture	Description	QTY
①		Bolt (M8x50mm)	9 PCS
②		Bolt (M8x25mm)	5 PCS
③		Screw (M4x40mm)	5 PCS
④		Spring Washer	13 PCS
⑤		Washer	13 PCS
⑥		Allen Key	1 PC
⑦		Screwdriver	1 PC

Assembly Preparation

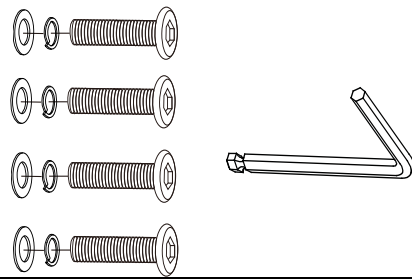
Before Beginning Assembly:



<p>Pack A for assembling the Chair Leg(B) to the Chair Back(A)</p>	<p>Bolt(M8x60mm) Washer Spring Washer Allen Key</p>	
<p>Pack B for assembling the Side Rail(C) to the Chair Leg(B)</p>	<p>Screw(M4x40mm)</p>	

Pack C for assembling the Seat Plate(D) to the Chair Back(A)

Bolt(M8x25mm)
Washer
Spring Washer
Allen Key



• Read instructions, cover to cover-



• Have 2 adults on hand for assembly-



• Do not assemble on flooring or carpet-



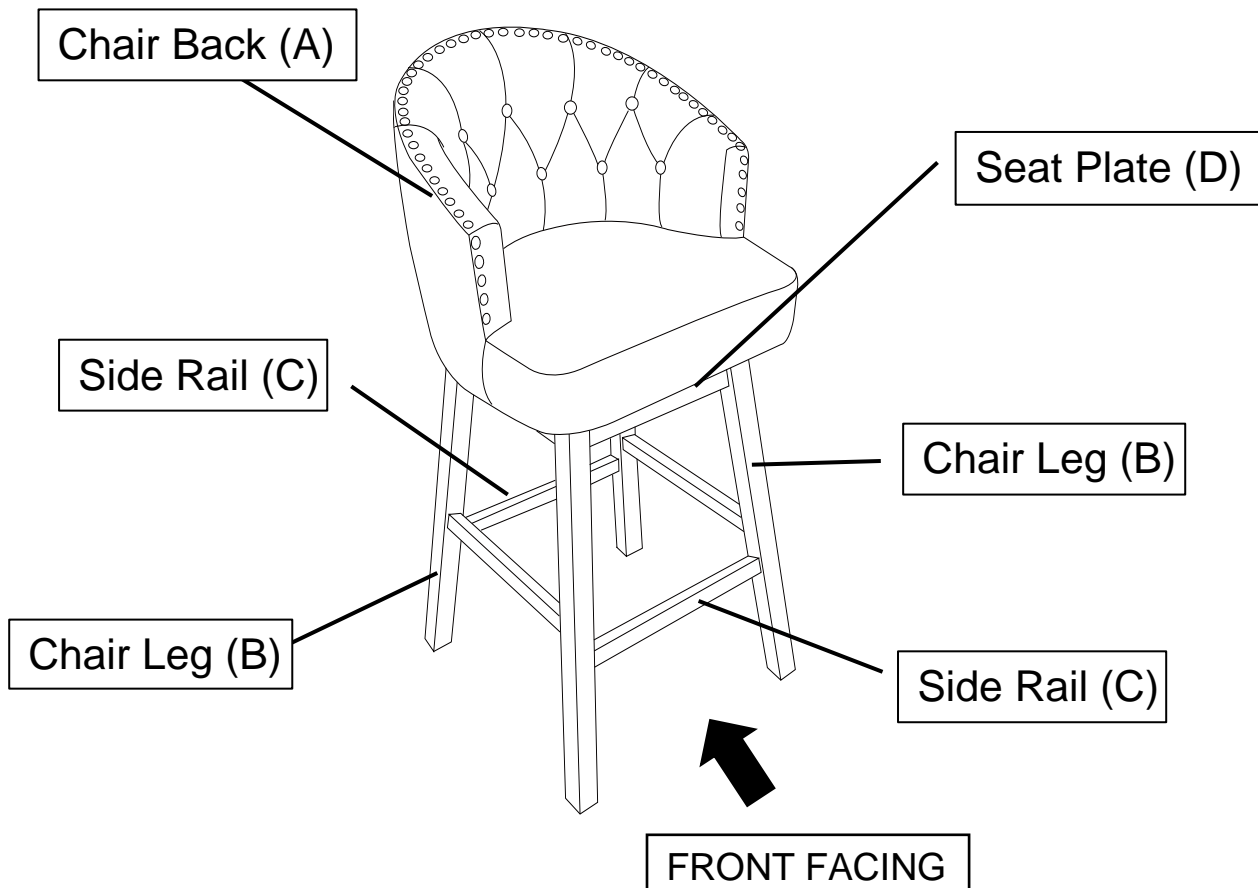
• Assemble on a clean non-marring surface (packing foam)-



• Save all packaging until finished-

Assembly Steps

Overview

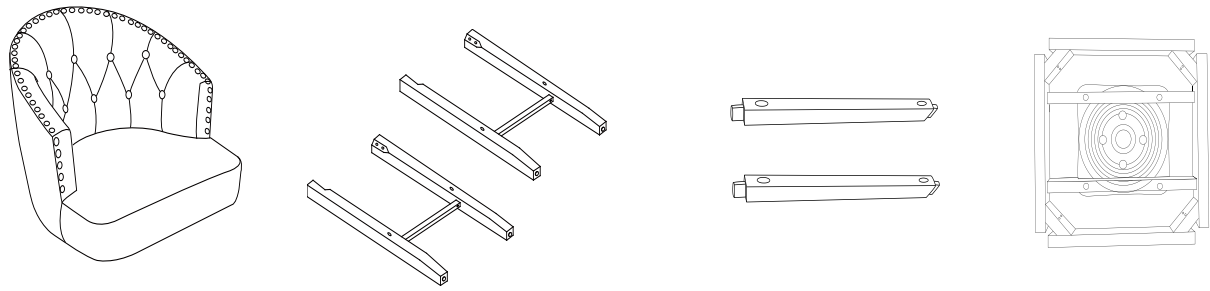


This Bar Chair has multiple parts and may require up to 30 minutes to assemble.

To give you an overview of the Bar Chair parts, the above picture is to help you put the various Table parts into perspective.

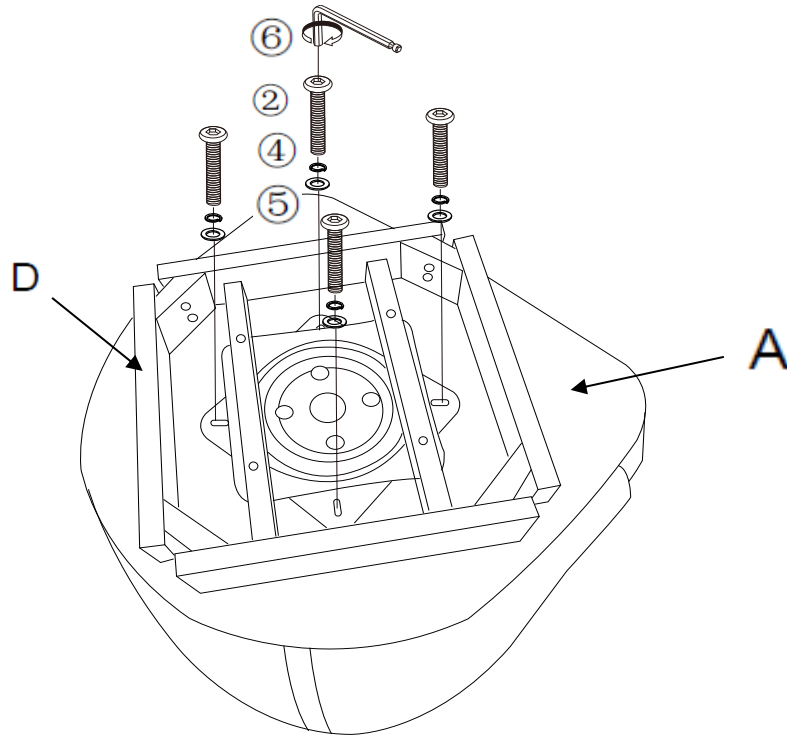
Please read through the instructions herebelow to familiarise yourself with the parts and steps before assembly.

Step 1



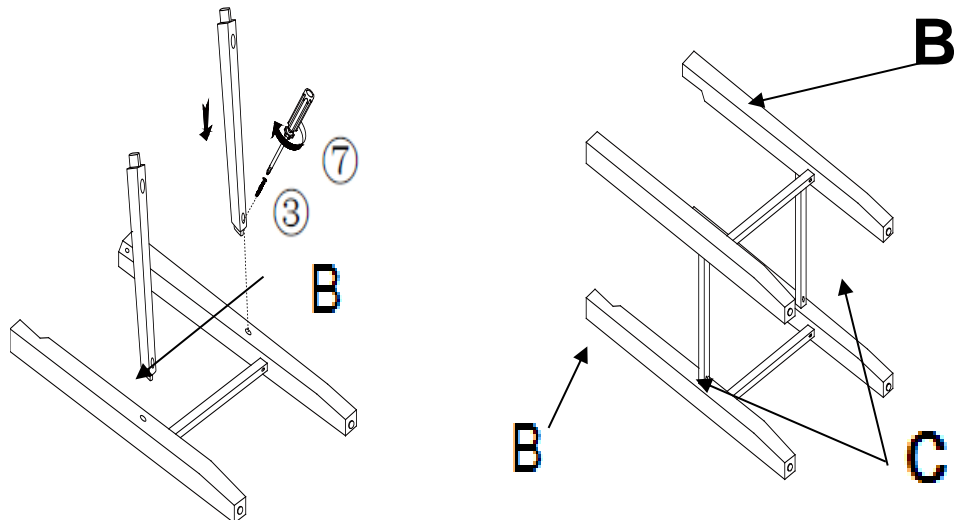
Unpack and place all parts on a clean, soft surface.

Step 2



Place the chair onto the side of a table.
Attach Seat Plate (D) to the Chair Back (A) using Bolt (2), Washer (5) and Spring Washers (4) with Allen Key (6).

Step 3



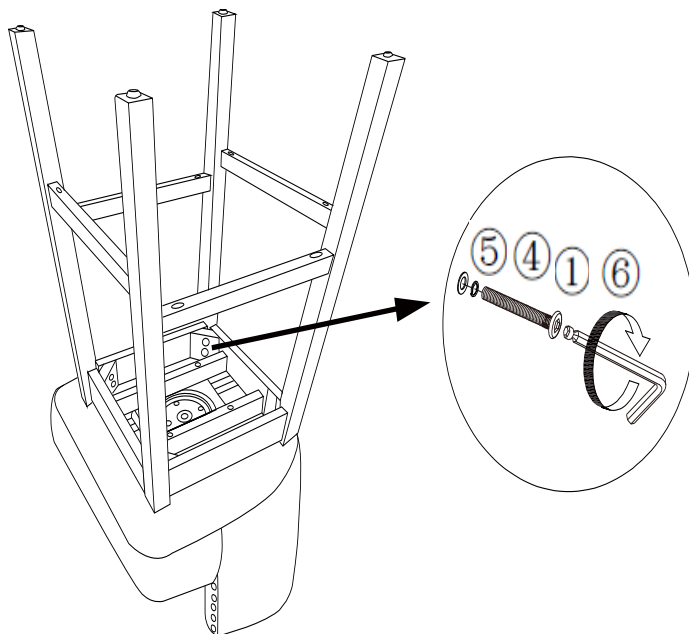
Insert the Side Rail(C) into the mounting positions of Chair Leg(B) as shown above.

Then, attach the Side Rail(C) to the Chair Leg(B) using Screw(③) with Screwdriver(⑦).

Repeat this process until you complete the Chair Base.

DO NOT fully tighten at this stage.

Step 4



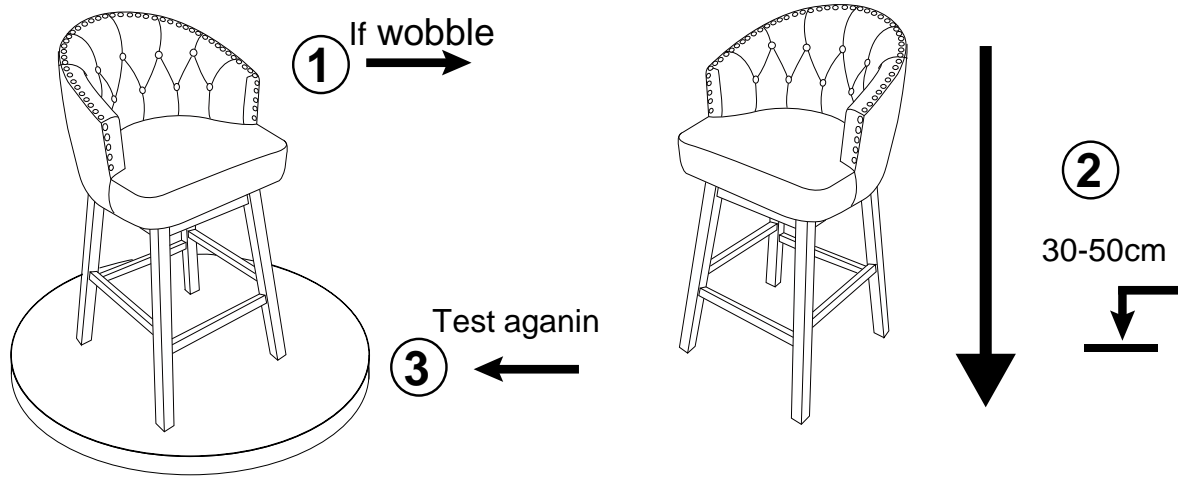
Next, place the chair onto the side of a table as shown in the Picture. Place Chair Legs(B) onto the Chair Back(A).

Attach the Chair Legs(B) to Chair Back(A) using Bolt(①), Washer(⑤) and Spring Washers(④) with Allen Key(⑥).

Tighten up to 80%.

Caution : At this stage, Do not fully tighten Bolts

Step 5



Place the chair on a **LEVEL SURFACE** to see if it wobbles.

If it wobbles, lift the chair to some 30cm to 50cm height from the ground. Keep your feet and toes well away from the drop zone.

Drop the chair freely and vertically with the four legs, hitting the ground, at the same time.

This Drop Test will help to ensure that all the bolts and gaps to all reach full alignment status.

Test again for evenness on a **LEVEL SURFACE**.

If no wobbles found, proceed to tighten all the bolts.

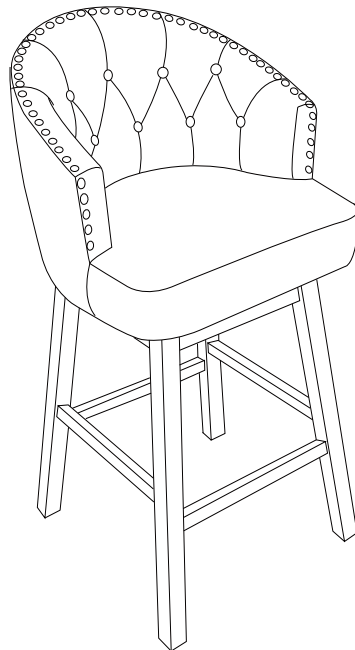
CAUTION : When tightening these bolts, tighten sequentially.

DO NOT tighten any screw fully and then towards the next one.

This would cause the frame to warp.

If there is still wobbles, loosen the bolts and execute this same drop tests.





















Step 5



Stand the Chair right side up and it is now ready for use.

Caution: This Chair can only be used on a flat, level surface.

Care & Maintenance

-   ● Do not put hot items directly on furniture surface
 -   ● Do not clean furniture with harsh cleansers or polish.
 -   ● Do not place furniture under direct sunlight.
 -   ● Do not place furniture near heating or cooling vents.
 -   ● Do not write on furniture without a padded barrier to protect the surface.
 -   ● Do not place furniture outside . For indoor use only .
 -   ● Not for commercial use. For residential use only .
 -   ● Stains may be removed with mild soap solution and damp cloth.
 -   ● Children should not climb or jump on the furniture.
-
-   ● Dust and pick-up spills using a clean, non-colored, lint-free cloth .

What is Proposition 65?

Proposition 65 is a California law that requires warning labels on products that may contain one of more than 800-plus chemicals or ingredients that the California Office of Environmental Health Hazard Assessment (OEHHA) has deemed to cause cancer or other reproductive toxicity. Chemicals and elements on this list include wood dust, brass, and other everyday substances, which can be found in very common household items, such as: lamps, tableware, jewelry, crystal glasses, electric cords, beauty products, automobiles, and furniture.

Why Did I Find a Proposition 65 Warning on My Home Goods Product?

We include Proposition 65 warnings on all of our products because there is always a chance that one of the 800-plus common chemicals and ingredients listed under this law could potentially be on our furniture or packing materials. We risk large fines under this law, if we don't include this warning.

Should I worry?

We realize you may be worried finding this warning on our products, but we want to reassure you that the hazardous exposure limits for any of these chemicals have never been found on furniture products that we've shipped to our customers. Additionally, this warning label is very common and can be found on almost every piece of furniture sold in the state of California.

Just How Common Are Proposition 65 Warnings?

Proposition 65 warnings have become so common in California that it is hard to take a trip to a local bank, grocery store, or restaurant without finding at least one warning. In fact, even the Disney Land Resort has a Proposition 65 warning:

