

# Assembly Instructions

**Caution: You must read this before you proceed.**


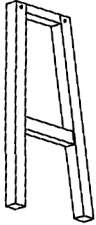

Please look in bench rail pack for hardware packs

## Bench




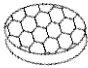


**WARNING:** These bench are intended only for normal use with all four bench legs on the ground. These consumer bench have relatively thin legs and are not designed to be sat in with only two bench legs on the ground (as from tipping back, forward, or to the side), and such can cause stress and failure of one or more bench legs. Any misuse of the bench voids any warranties, express or implied.

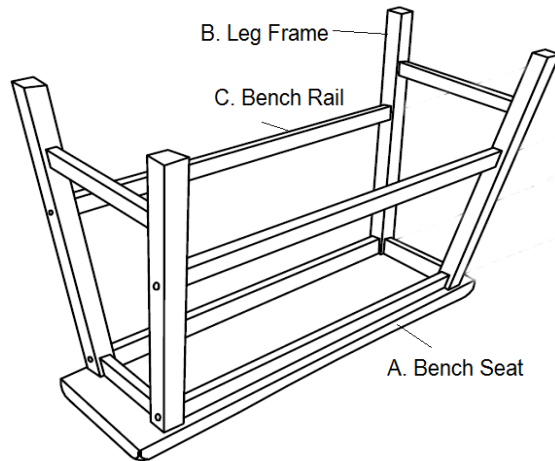
## Parts List

Part NO.	Picture	Description	QTY
A		Bench Seat	1 PC
B		Leg Frame	2 PCS
C		Bench Rail	2 PCS

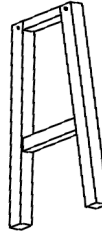
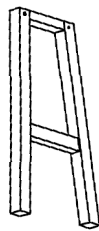
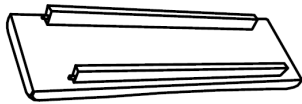
## Hardware

Label	Picture	Description	QTY
D		Screw(M6*35MM)	8 PCS
E		Wood Button	8 PCS
F		Allen Key	1 PC
G		Foam Pad	4 PCS

# Assembly Preparation



Before Beginning Assembly:



- Read instructions, cover to cover-



- Have 2 adults on hand for assembly-



- Do not assemble on flooring or carpet-



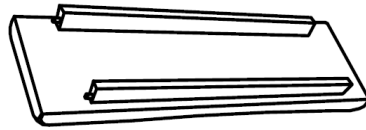
- Assemble on a clean non-marring surface (packing foam)-



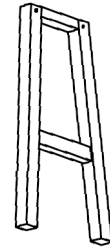
- Save all packaging until finished-

# Assembly Steps

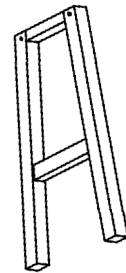
## Step 1



A. Bench Seat



B. Leg Frame



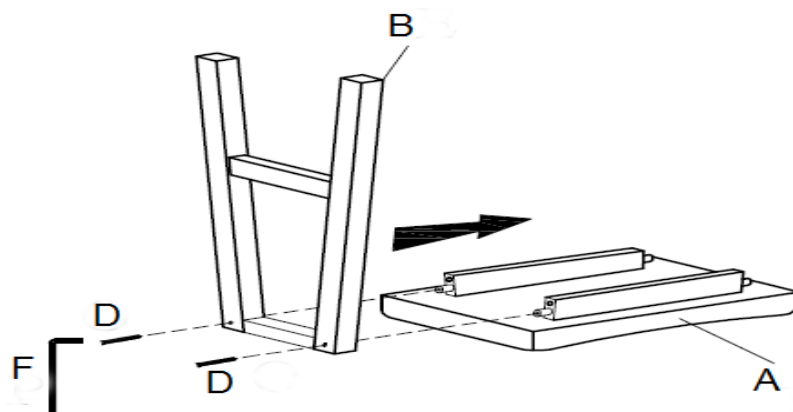
B. Leg Frame



C. Bench Rail

Place the Bench Seat(A)& Leg Frames(B)&Bench Rail ( C ) on a clean, non-marring surface. Remove the Seat Base Cover from the underside of the Bench Seat(A) and take out all of the Parts and Hardware.

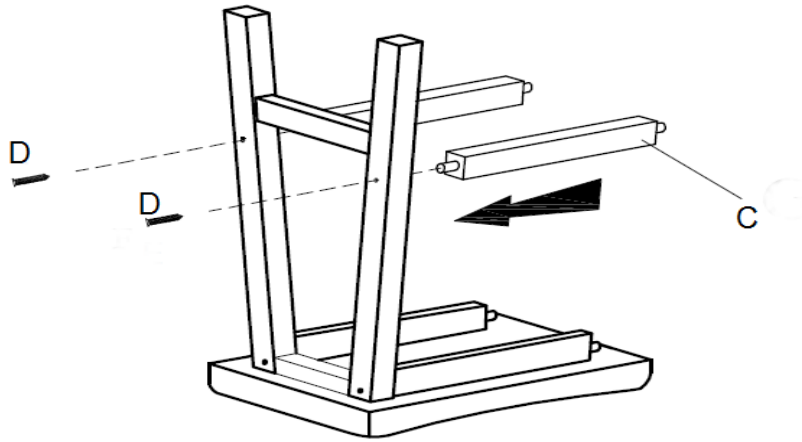
## Step 2



Put the Bench Seat(A) onto a flat table top.  
Slide the Leg Frame(B) into the bottom Bench Seat dowls.  
Align and attach Leg Frame using Screws(D) with Allen Key(F)

**Caution : At this stage, LOOSELY FASTEN these bolts**

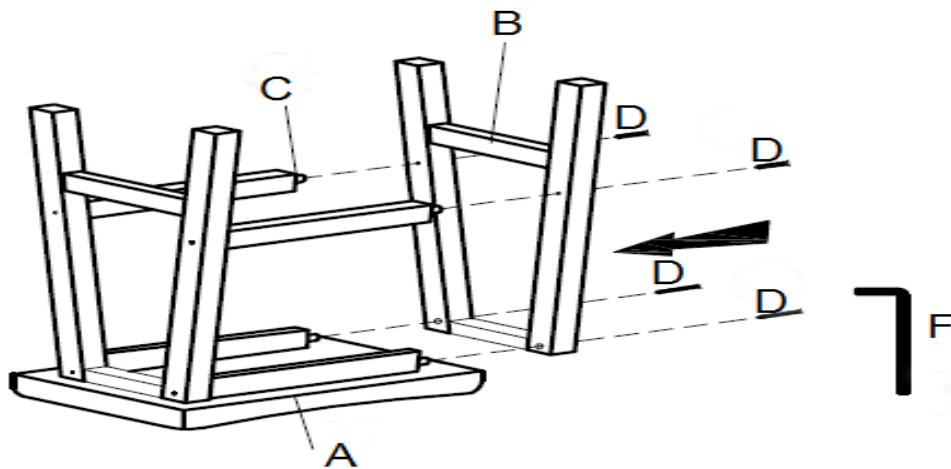
Step 3



Insert Bench Rail(C) into the Leg Frame(B) as shown above.  
Then, attach using Screw(D) with Allen Key(F).

**Caution : At this stage, LOOSELY FASTEN these bolts**

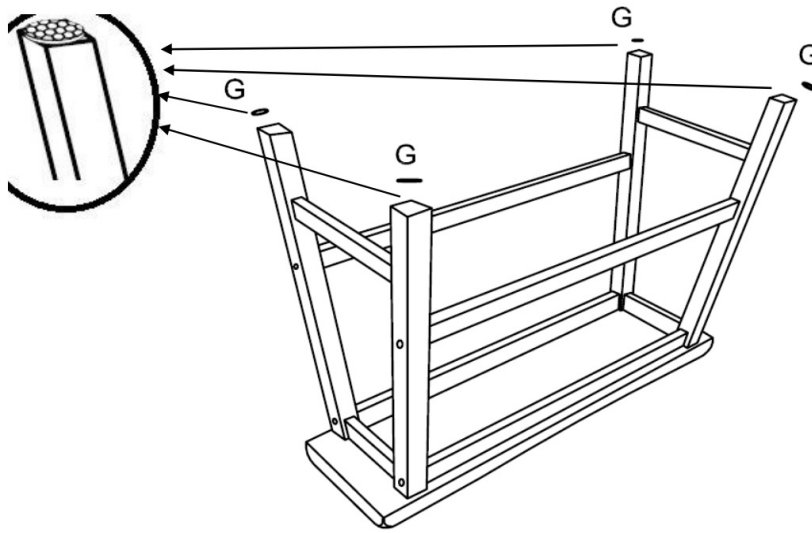
Step 4



Slide the Leg Frame(B) into the bottom of Bench Seat dowls and Bench Rails(C).  
Secure using Screws with Allen Key(F),

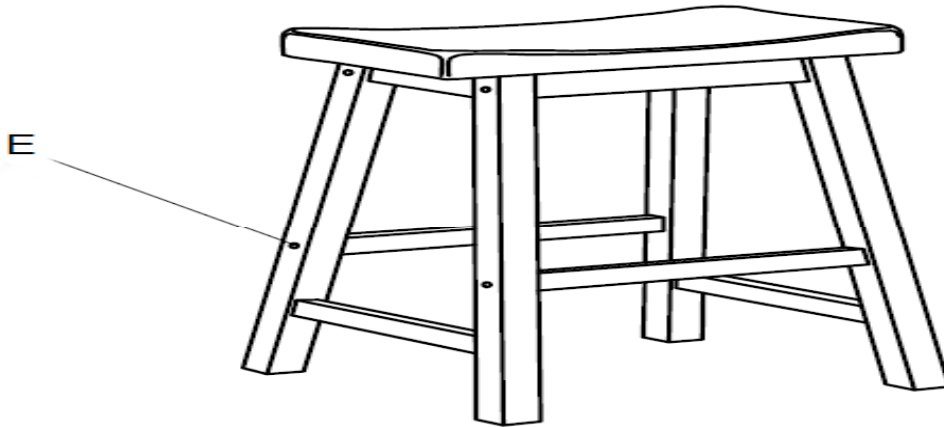
**Proceed to tighten all the bolts**

Step 5



Adhere the Foam Pads(G) under the Legs.

Step 6



Stand the bench rightside up.  
Insert the wood button(E) into the leg support rail screw Hole  
Your Bench is ready for use.

## Care & Maintenance



- Furniture may scratch floors. We recommend using furniture pads to protect your floors.



- Do not put hot items directly on furniture surface.



- Do not clean furniture with harsh cleansers or polish.



- Do not place furniture under direct sunlight.



- Do not place furniture near heating or cooling vents.



- Do not write on furniture without a padded barrier to protect the surface.



- Do not place furniture outside . For indoor use only.



- Not for commercial use. For residential use only.



- Stains may be removed with mild soap solution and damp cloth.



- Children should not climb or jump on the furniture.



- Dust and pick-up spills using a clean, non-colored, lint-free cloth.