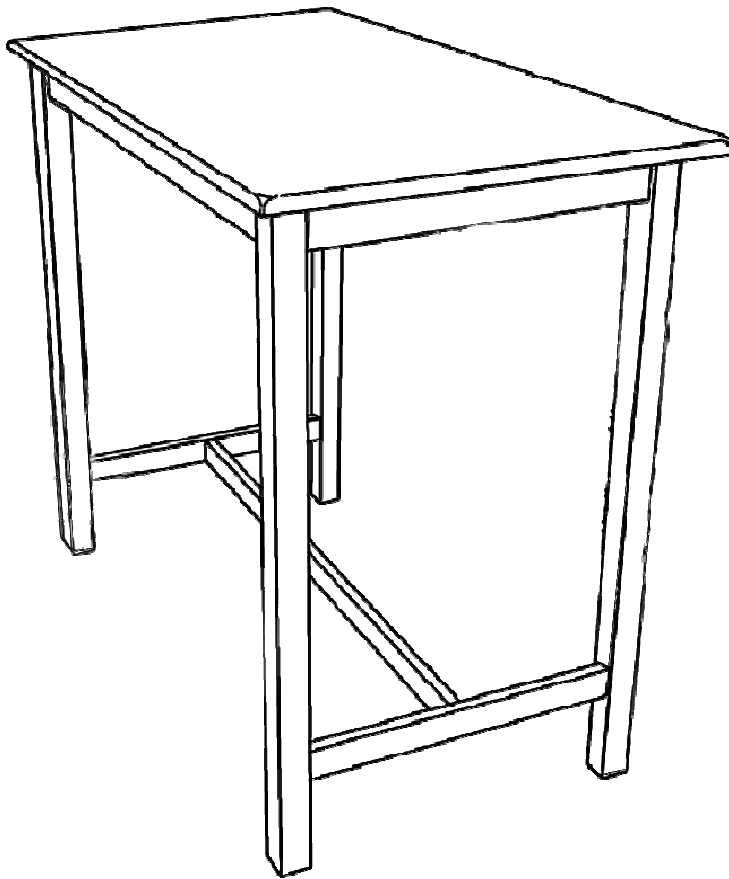


# Assembly Instructions

**Caution: You must read this before you proceed.**

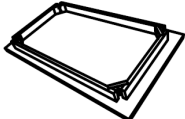
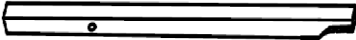
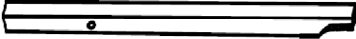


Please look in underneath Table Top for hardware packs

## Table

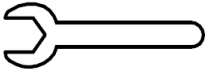





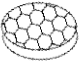



**WARNING: These table are intended only for normal use with all four table legs on the ground. These consumer table have relatively thin legs and are not designed to be sat in with only two table legs on the ground (as from tipping back, forward, or to the side), and such can cause stress and failure of one or more table legs. Any misuse of the table voids any warranties, express or implied.**

# Parts List

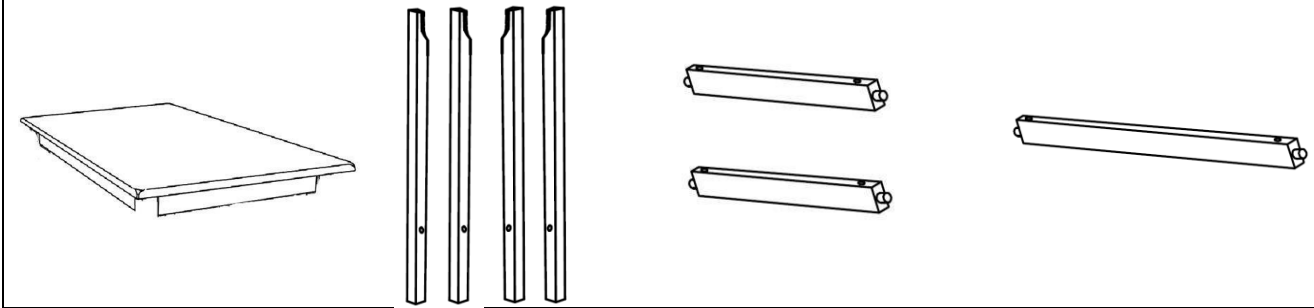
Part NO.	Picture	Description	QTY
A		Table TOP	1 PC
B		Table Leg ( Left )	2 PCS
C		Table Leg ( Right )	2 PCS
D		Table Short Support Rail	2 PCS
E		Table Long Support Rail	1 PC

# Hardware

Label	Picture	Description	QTY
F		Spanner	1PC
G		JCBC Bolt ( M6*60mm )	8 PCS
H		Flat Washer Ring	8 PCS
I		Spring Washer Ring	8 PCS
J		Screw	6 PCS
K		Allen Key	1 PC
L		Foam Pad	4 PCS
M		Screwdriver	Not provided

# Assembly Preparation

Before Beginning Assembly:



- Read instructions, cover to cover-



- Have 2 adults on hand for assembly-



- Do not assemble on flooring or carpet-

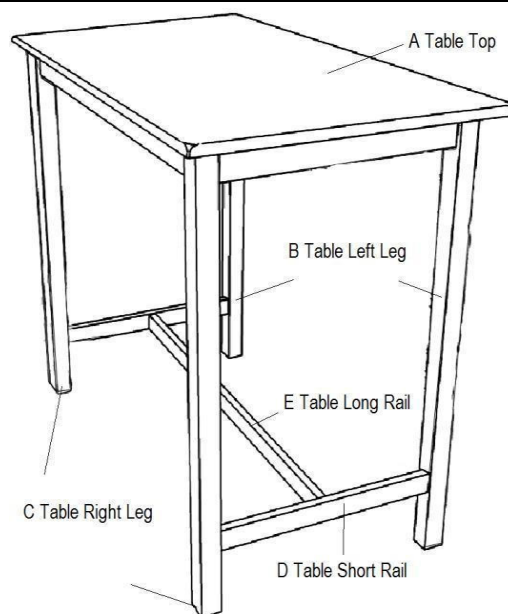


- Assemble on a clean non-marring surface (packing foam)-



- Save all packaging until finished-

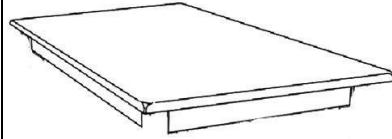
# Assembly Steps



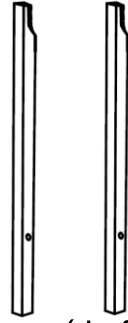
**This Table has multiple parts and may require up to 20 minutes to assemble. To give you an overview of the Table parts, the above picture is to help you put the various Table parts into perspective.**

**Please read through the instructions herebelow to familiarise yourself with the parts and steps before assembly.**

Step 1



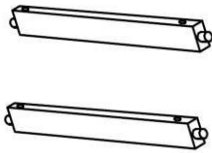
A. Table TOP



B. Table Leg ( Left )



C. Table Leg ( Right )



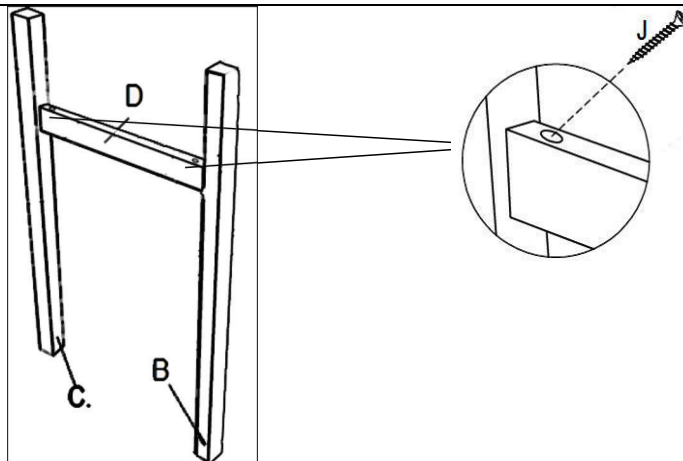
D. Table Short Support Rail



E. Table Long Support Rail

Place the Table Top (A)&Table Left Leg (B)&Table Right Leg (C) on a soft surface to avoid any scratches or damages to the product.  
REMOVE the Table Top Cover from the underside of the Table Top (A), take out Table short rail(D) &Table long rail(E) and hardware.

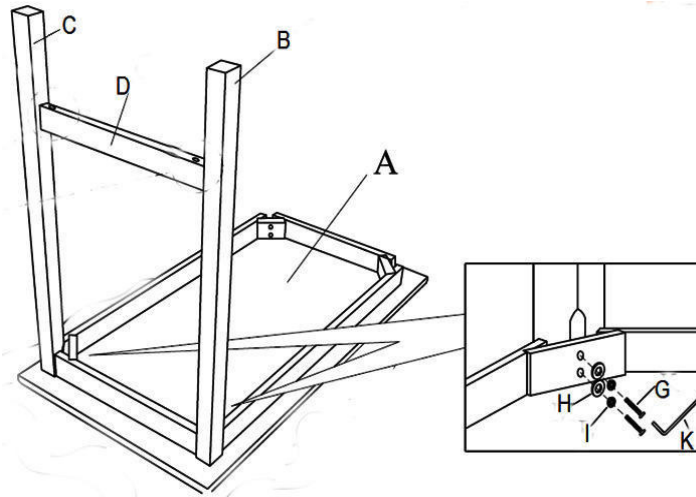
Step 2



Align Table Short support Rail(D) to Table left leg(B) and Table right Leg (C),tighten with screw(J), Connect the other side of Table support Rail(D), Table left Leg(B) and Table right Leg(C) with the same process.

**Caution : At this stage, LOOSELY FASTEN these bolts**

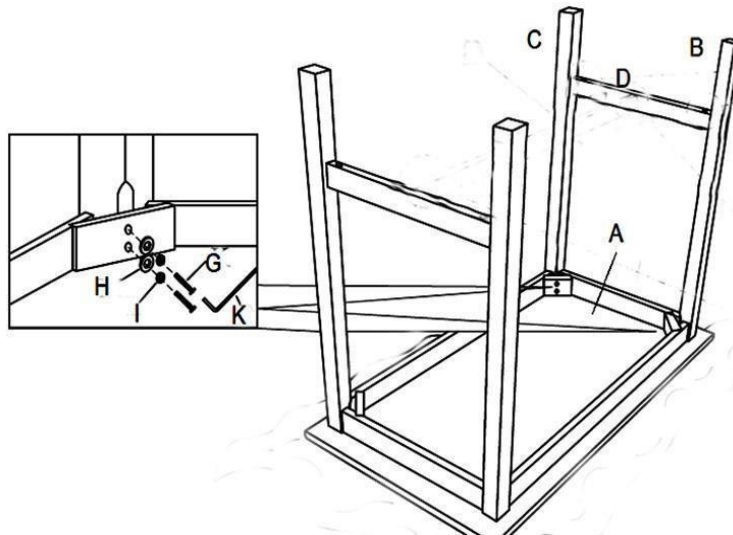
**Step 3**



Attach Table left leg(B) and Table Right Leg(C) to Table top (A),using Flat washer Ring(H),Spring washer Ring(I) and JCBC bolt(G),Tighten JCBC bolt with Allen Key(J)

**Caution : At this stage, LOOSELY FASTEN these bolts**

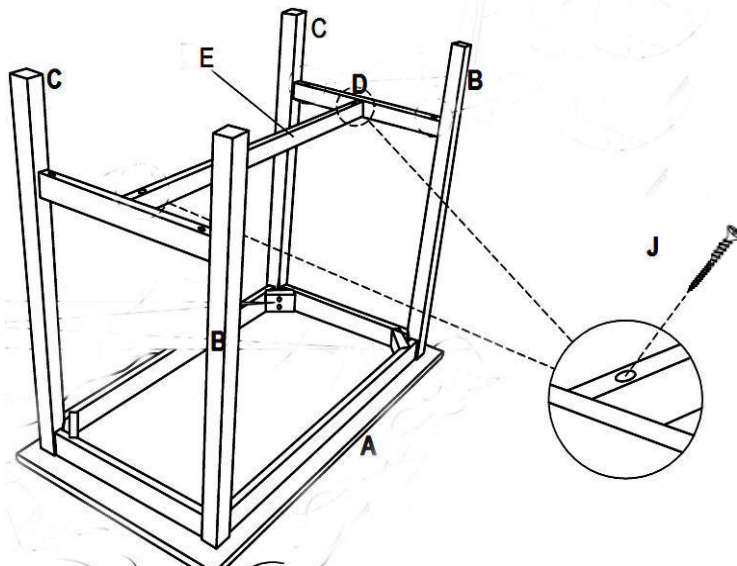
**Step 4**



Prepare the other side of assembled Table Left Leg(B)&Table Right (C)&Table short supprt Rail(D), Attach Table left leg(B) and Table Right Leg(C) to Table top (A),using Flat washer Ring(H),Spring washer Ring(I) and JCBC bolt(G),Tighten JCBC bolt with Allen Key(J)

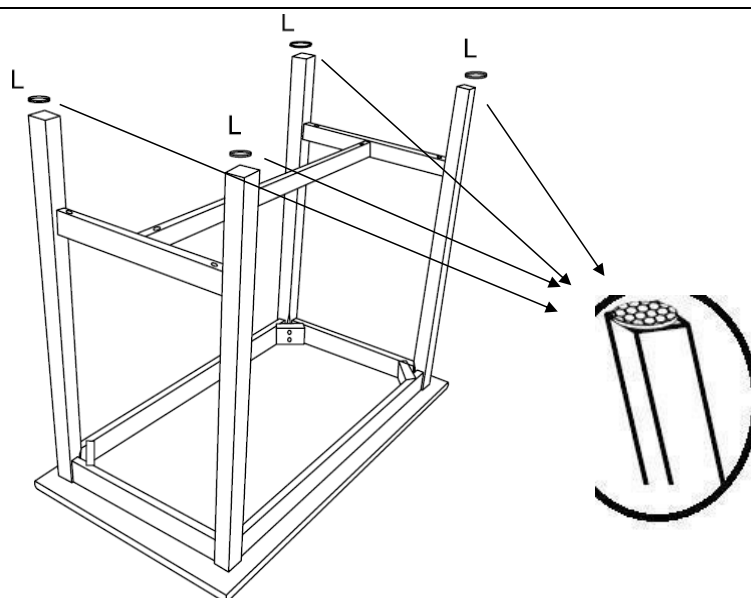
**Caution : At this stage, LOOSELY FASTEN these bolts**

**Step 5**



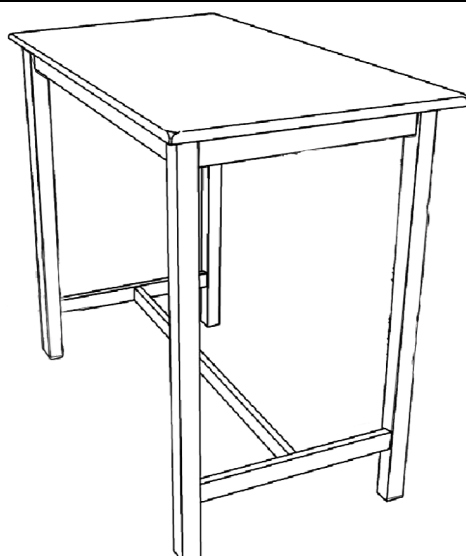
Attach Table long support rail ( E ) to both side of Table short support Rail using screw(J).  
**Tighten all the screws and bolts.**

**Step 6**



Adhere the Foam Pad(L) under the Legs(B & C).

**Step 7**



Stand the Table rightside up.  
Your Table is ready for use.

## Care & Maintenance



- Furniture may scratch floors. We recommend using furniture pads to protect your floors.



- Do not put hot items directly on furniture surface.



- Do not clean furniture with harsh cleansers or polish.



- Do not place furniture under direct sunlight.



- Do not place furniture near heating or cooling vents.



- Do not write on furniture without a padded barrier to protect the surface.



- Do not place furniture outside . For indoor use only.



- Not for commercial use. For residential use only.



- Stains may be removed with mild soap solution and damp cloth.



- Children should not climb or jump on the furniture.



- Dust and pick-up spills using a clean, non-colored, lint-free cloth.