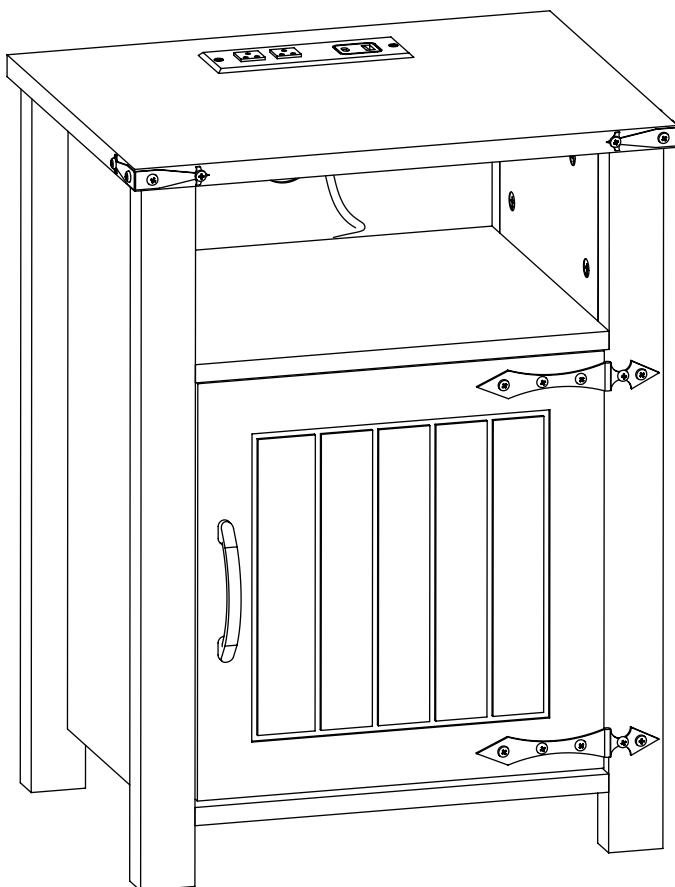


---

# USER'S MANUAL

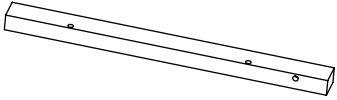
End Table

Q-CTG-W



# PARTS LIST

A x 1



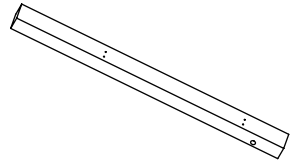
B x 1



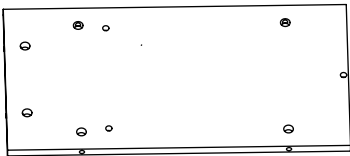
C x 1



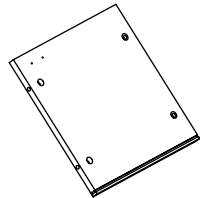
D x 1



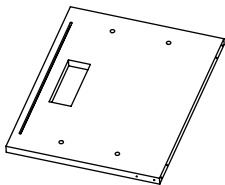
E x 2



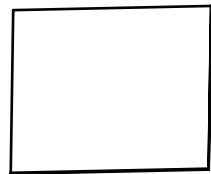
F x 1



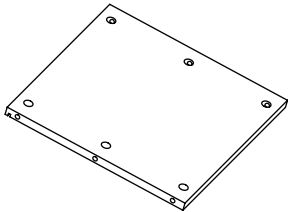
G x 1



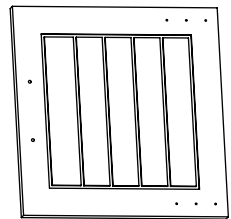
H x 1



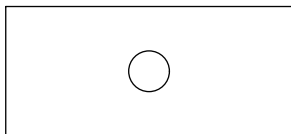
J x 1



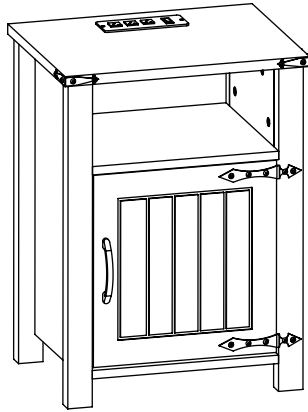
K x 1



L x 1

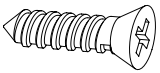


# OVERVIEW



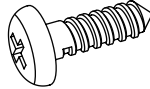
## Hardware

① x 4



(M4 x 12)

② x 18



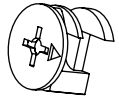
(M4 x 14)

③ x 2

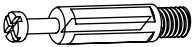


(M4 x 20)

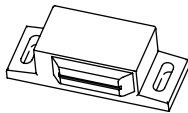
④ x 22



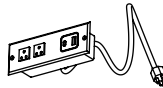
⑤ x 22



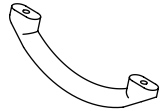
⑥ x 1



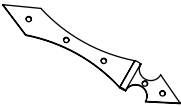
⑦ x 1



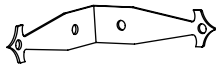
⑧ x 1



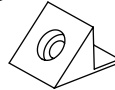
⑨ x 2



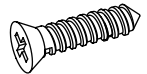
⑩ x 2



⑪ x 4



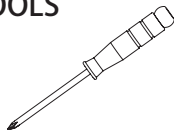
⑫ x 4



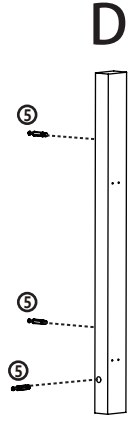
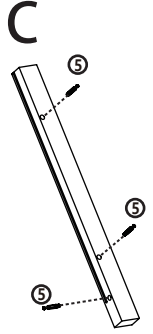
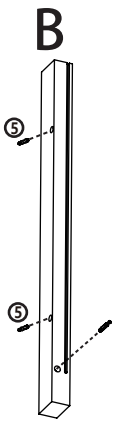
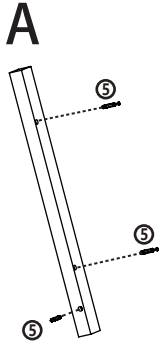
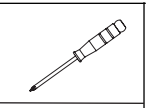
⑬ x 1



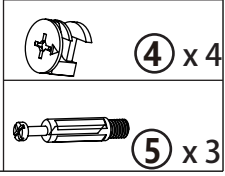
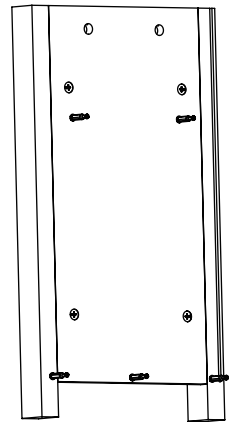
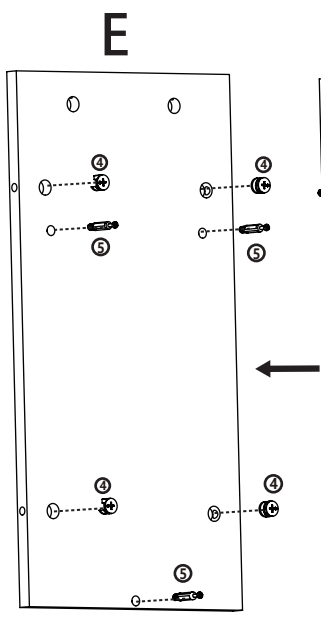
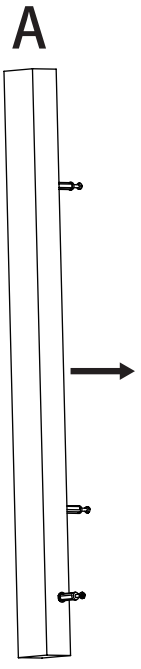
TOOLS



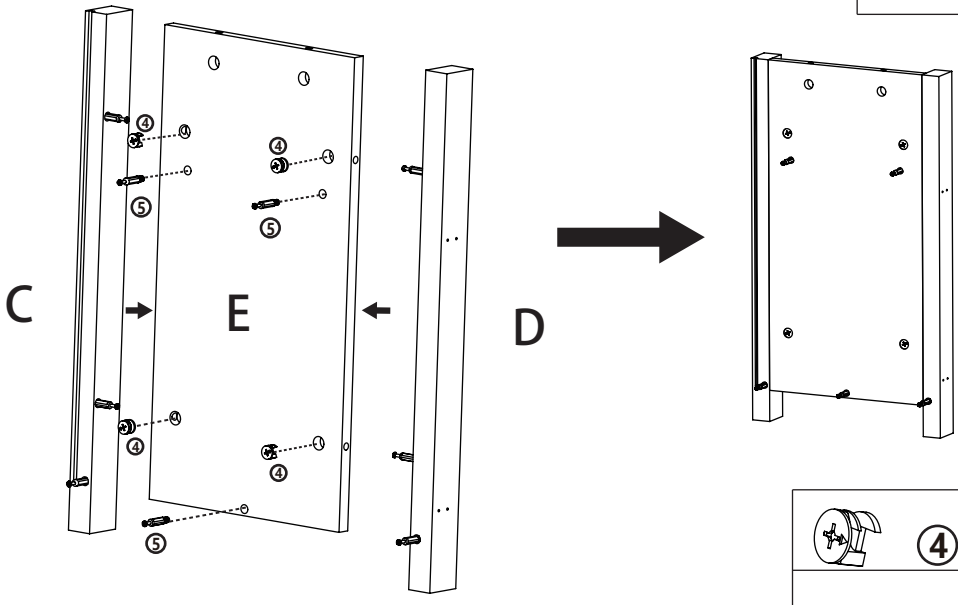
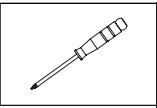
# Step 1



# Step 2

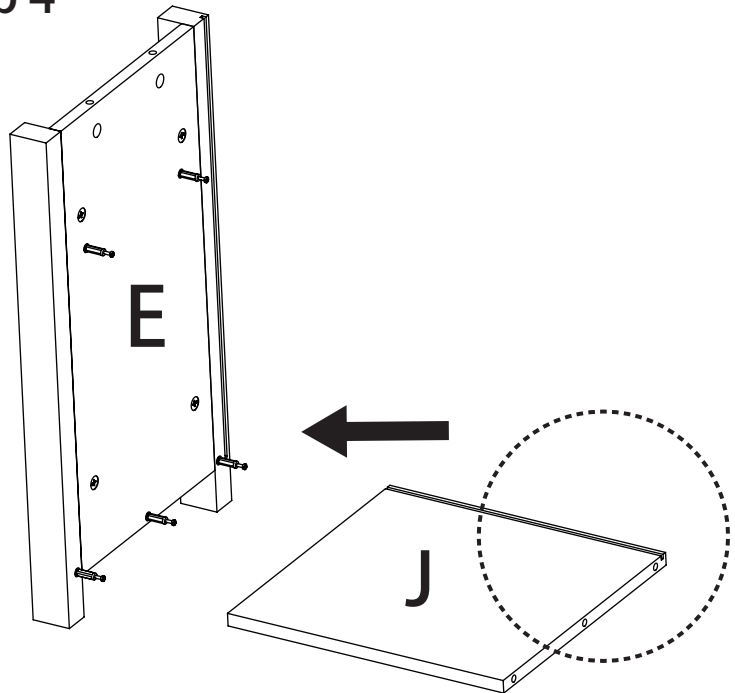


# Step 3

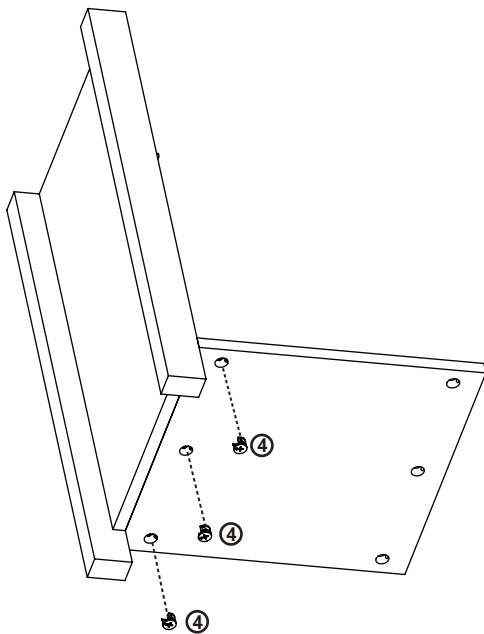


- ④ x 4
- ⑤ x 3

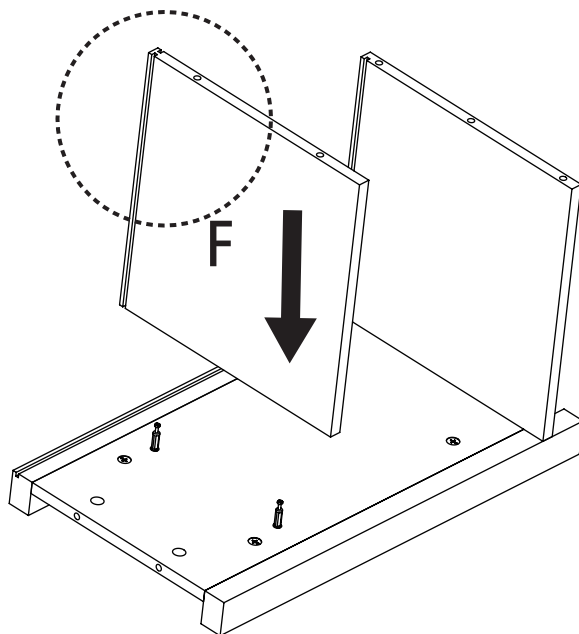
# Step 4



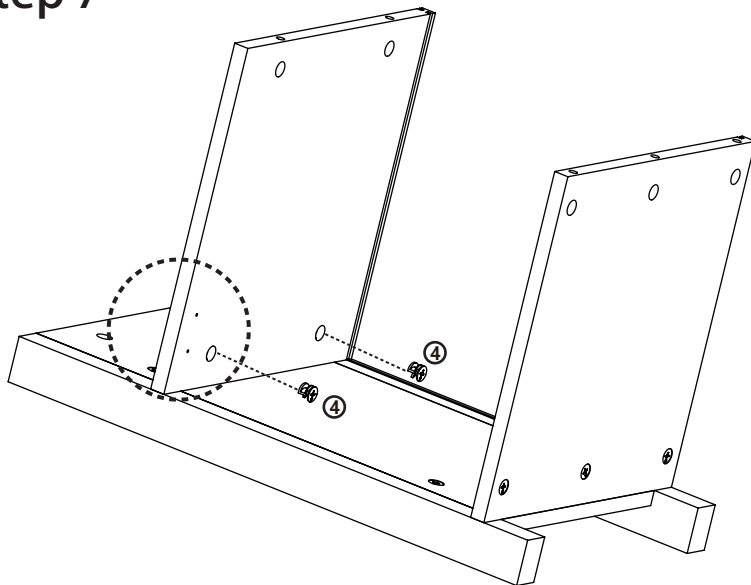
# Step 5



# Step 6

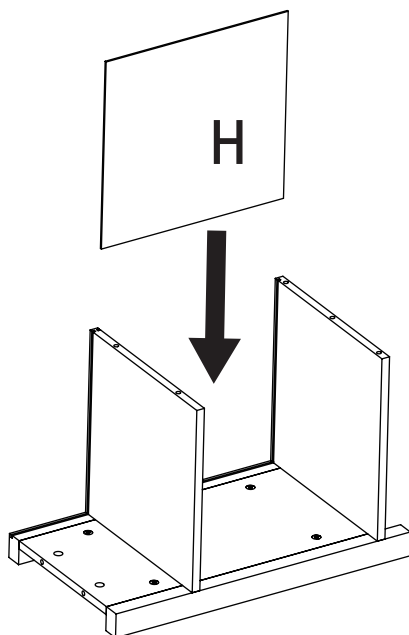


# Step 7

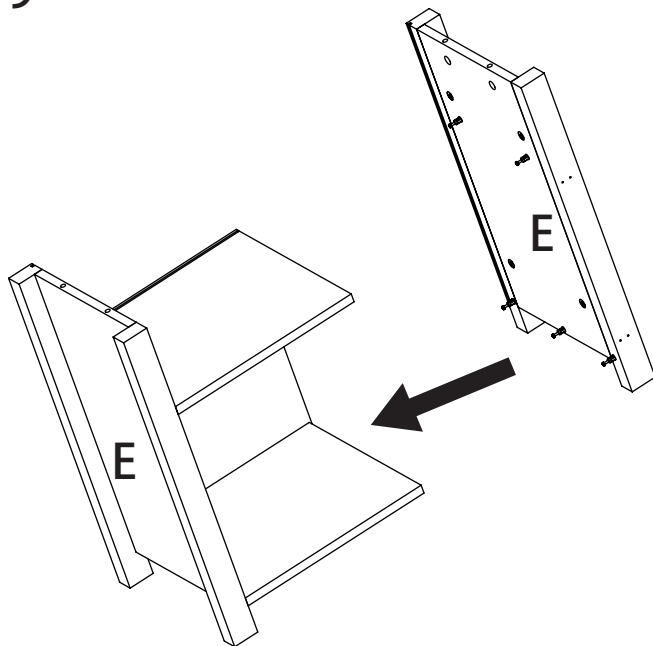


④ x 2

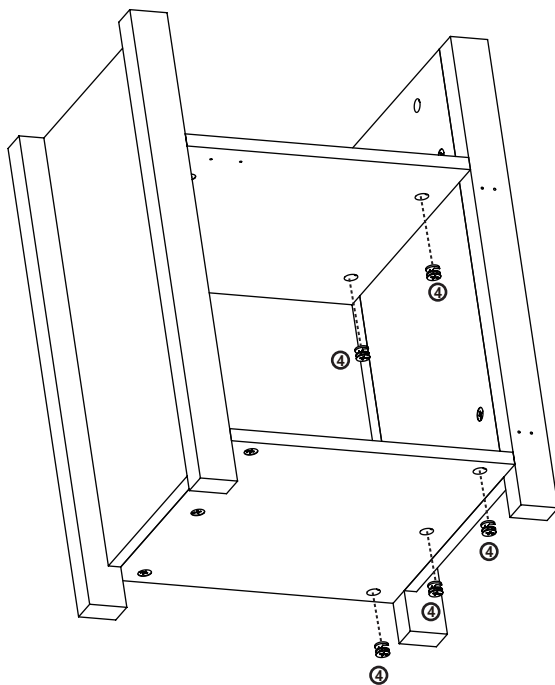
# Step 8



# Step 9

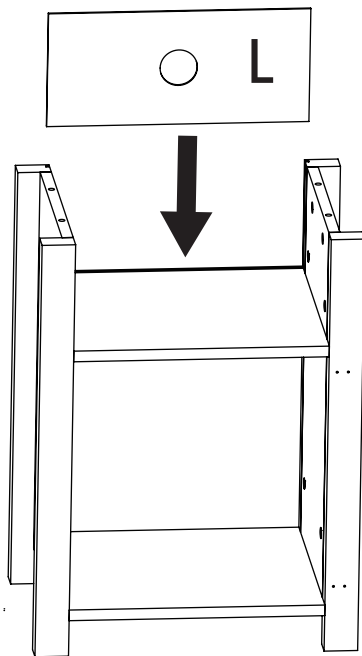


# Step 10

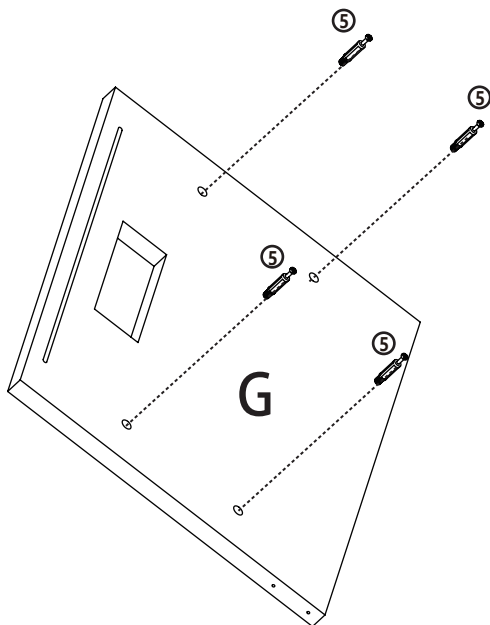




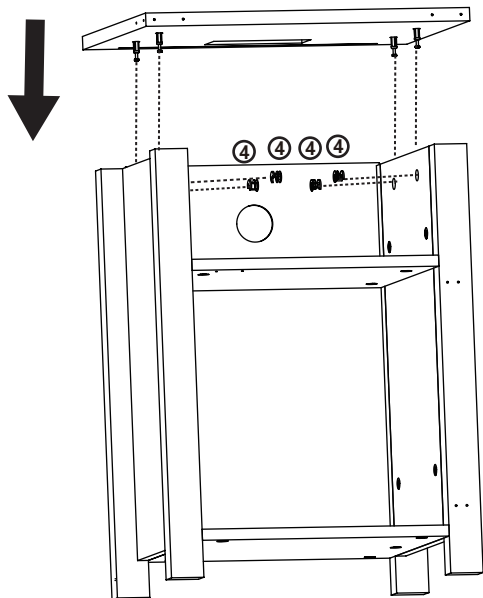
# Step 11



# Step 12

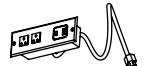
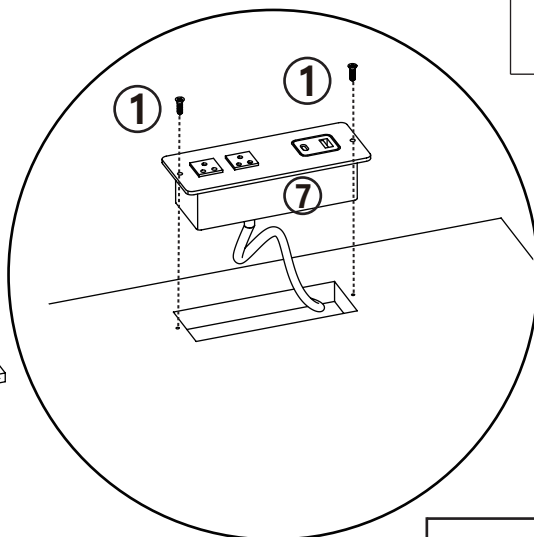
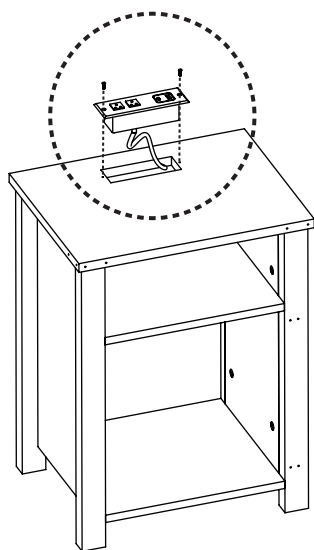


# Step 13



④ x 4

# Step 14

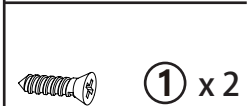
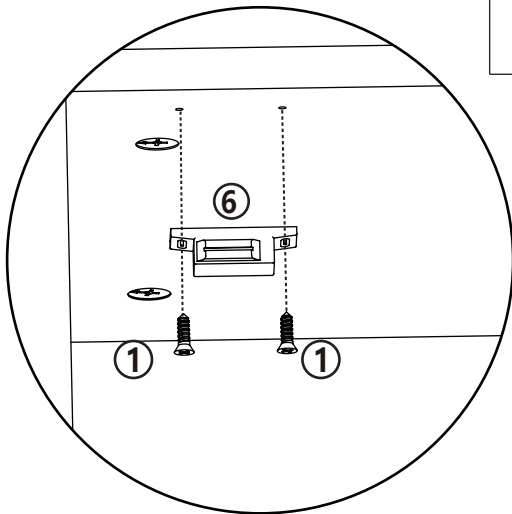
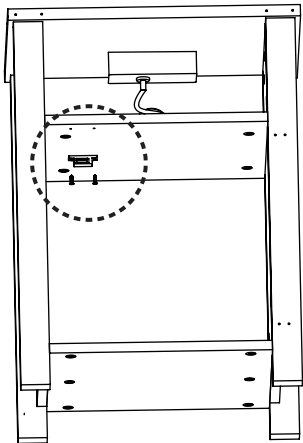
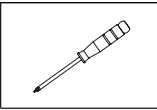


⑦ x 1

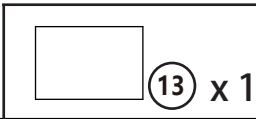
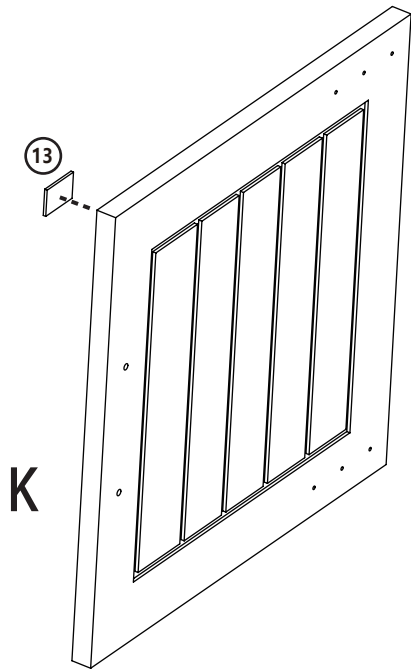


① x 2

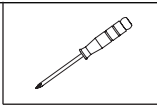
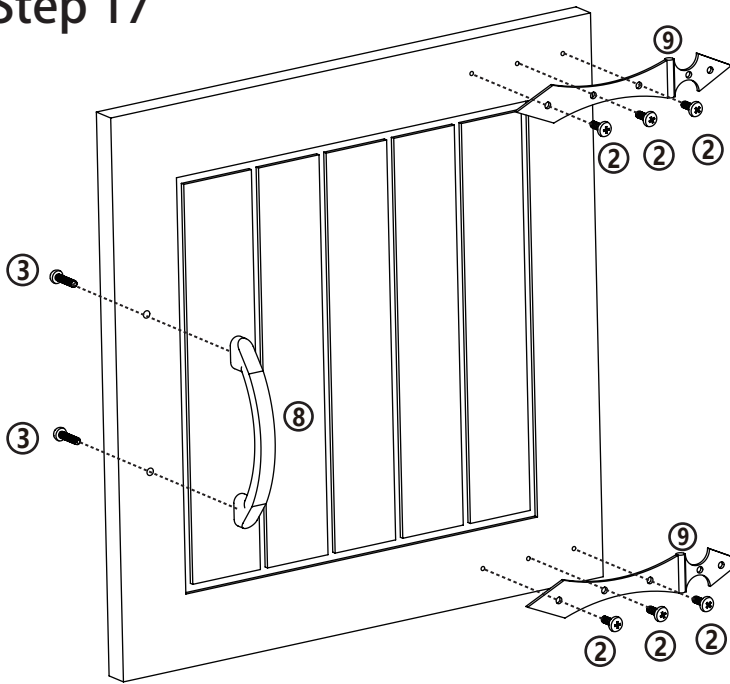
# Step 15







# Step 16

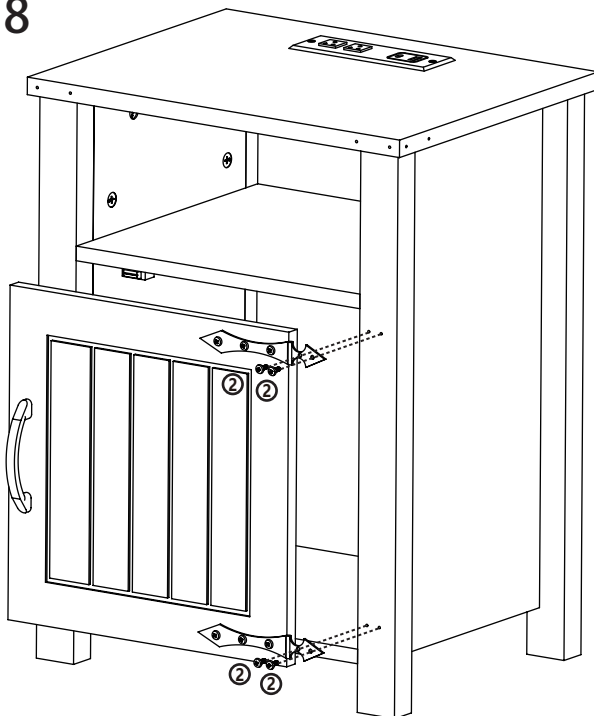


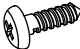
# Step 17



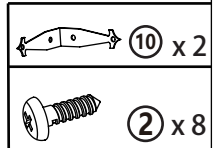
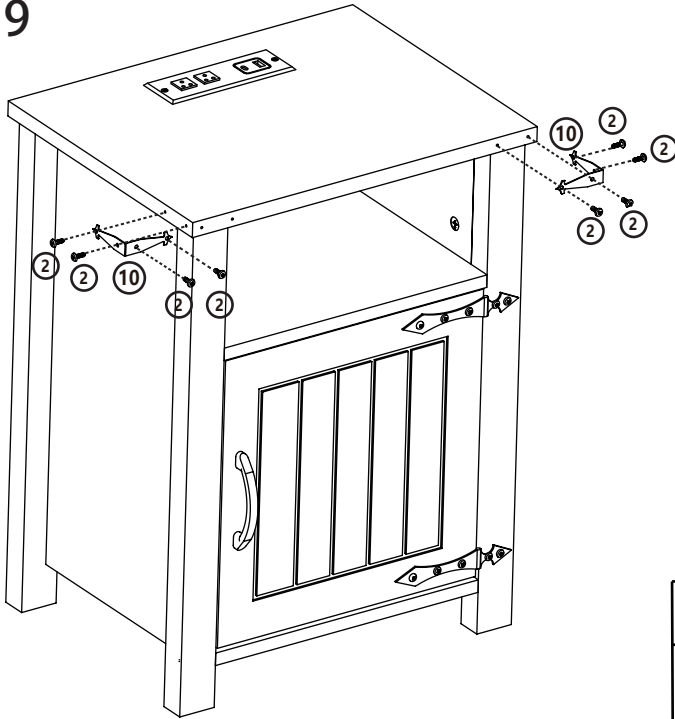
-  ③ x 2
-  ② x 6
-  ⑧ x 1
-  ⑨ x 2

# Step 18

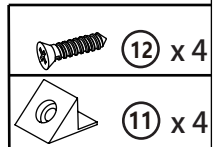
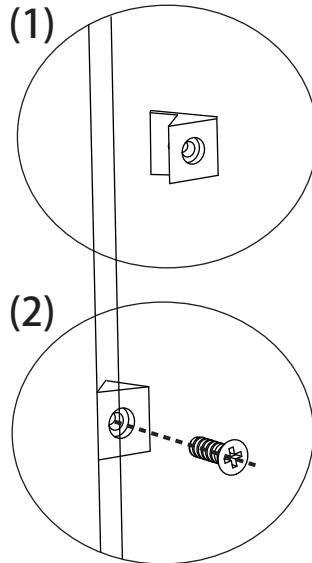
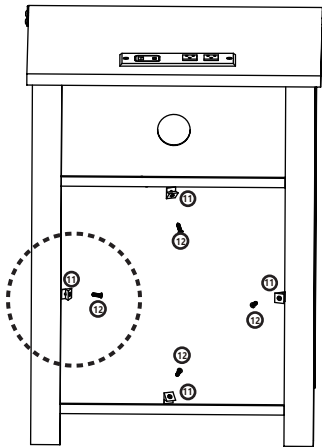


-  ② x 4

# Step 19



# Step 20



ACCOMPLISHED

