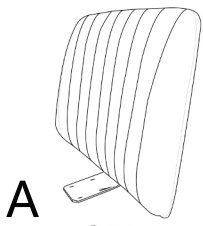
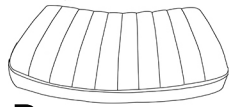


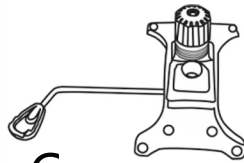
Assembly Instruction



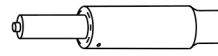
A



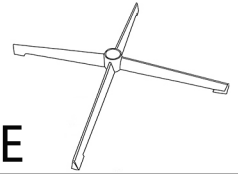
B



C



D



E



M6*25

F



M6*20

G

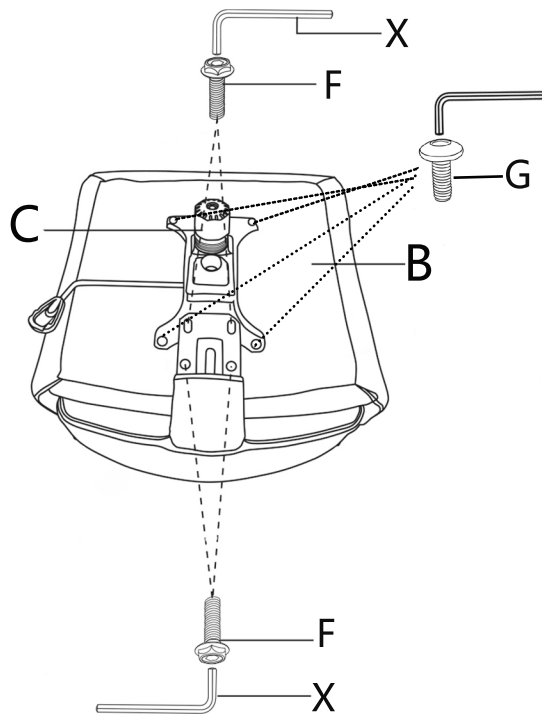


X

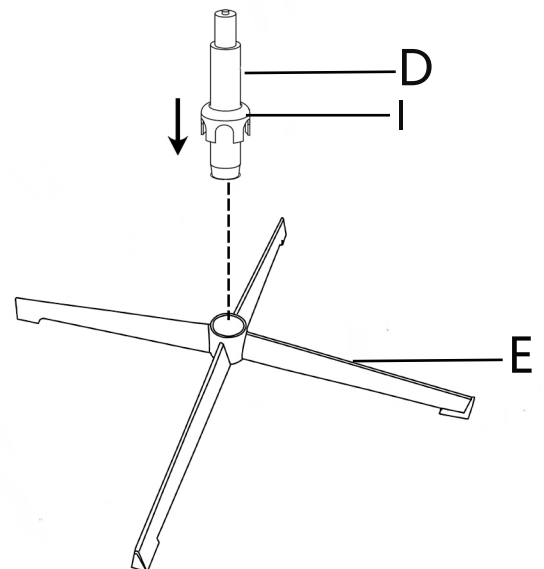


I

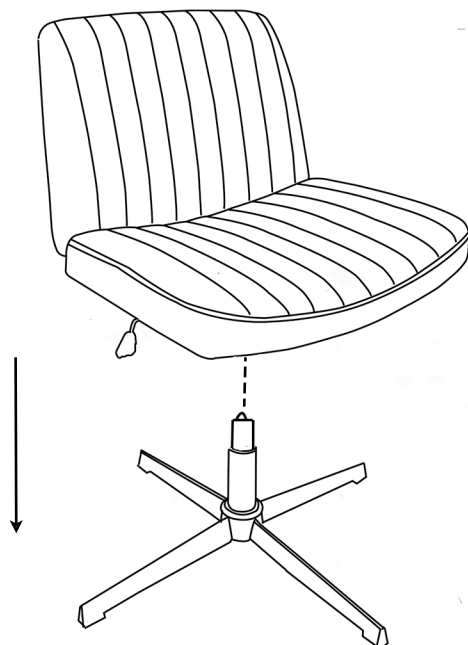
1



2



3



4

