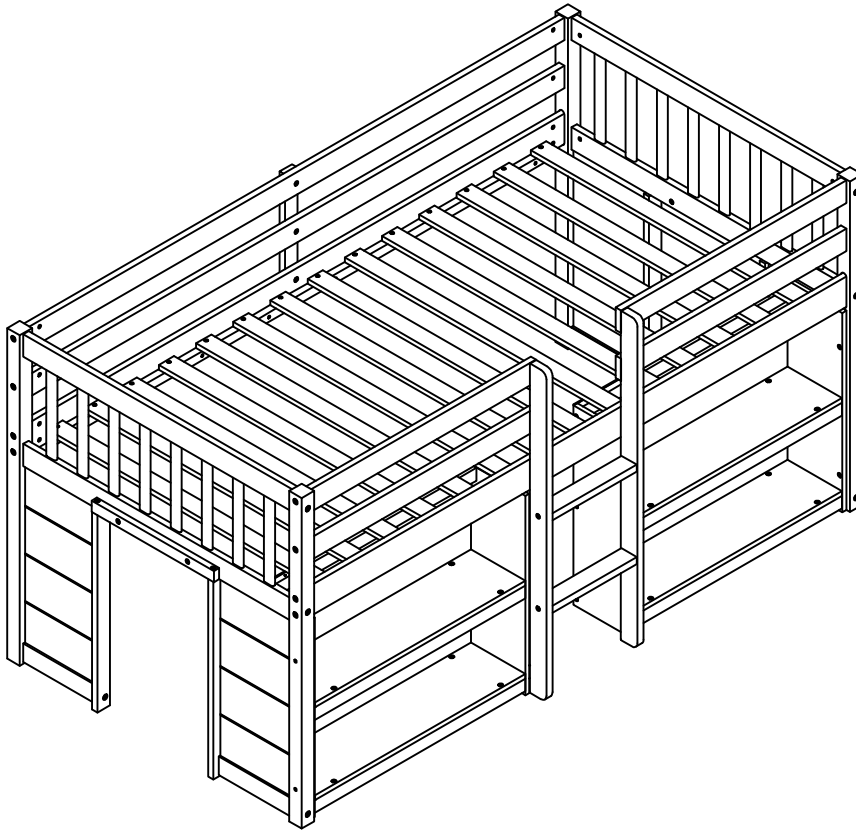


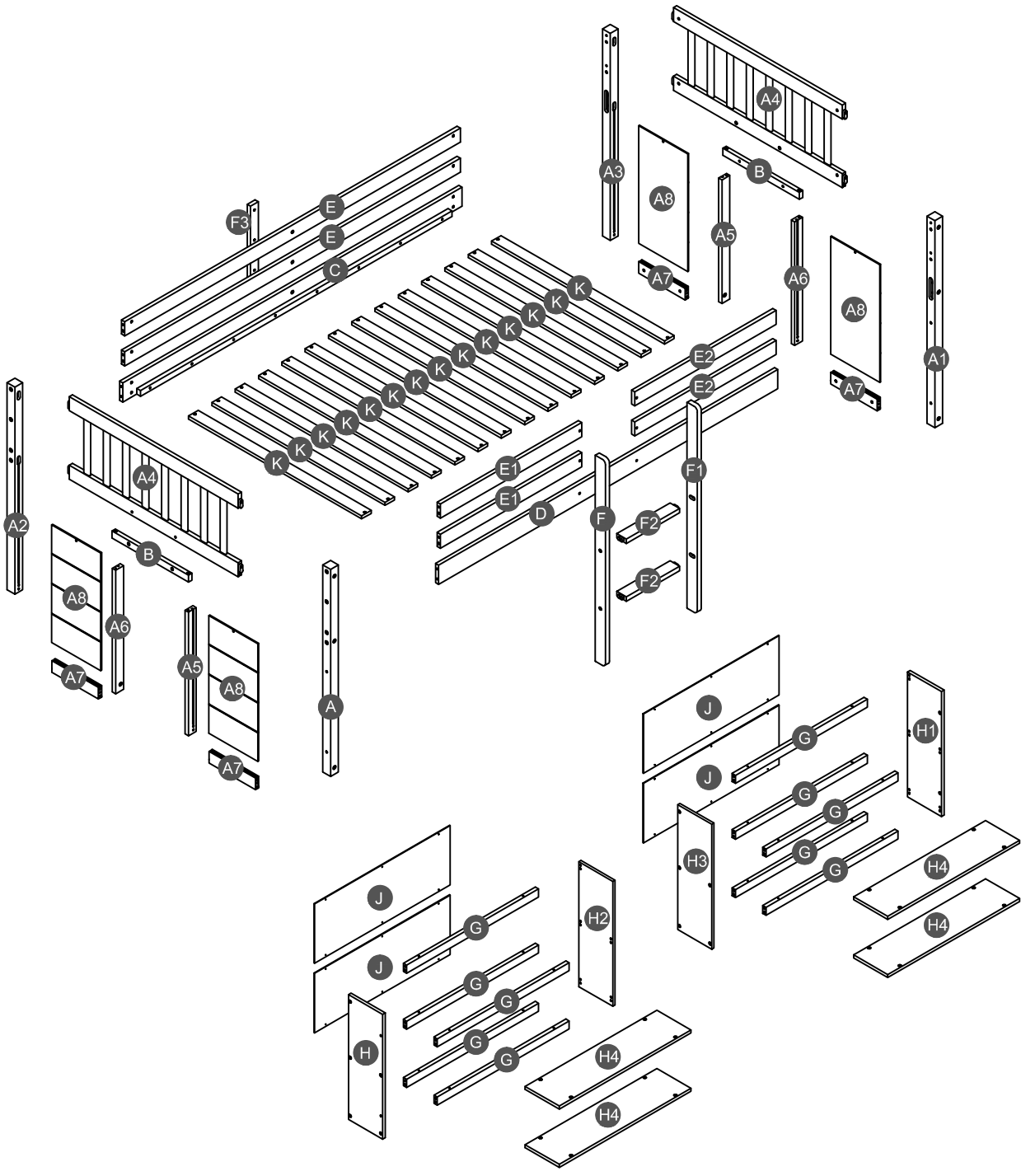
ASSEMBLY INSTRUCTIONS

TWIN LOFT BED WITH SHELF

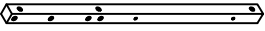
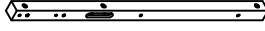


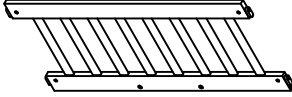

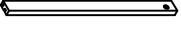
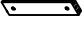



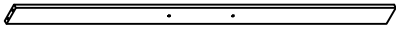
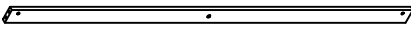
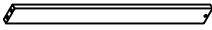
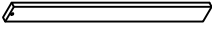
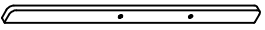
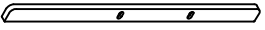
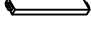
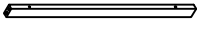
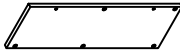



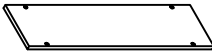
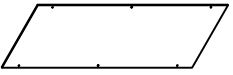



YX5536
(W697P153472/W697P153473)

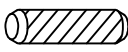




Detail View



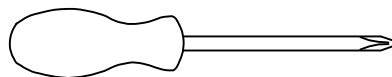
Part List

<p>A</p>  <p>Leg (left-front) - 1pc</p>	<p>A1</p>  <p>Leg (right-front) - 1pc</p>	<p>A2</p>  <p>Leg (left-back) - 1pc</p>
<p>A3</p>  <p>Leg (right-back) - 1pc</p>	<p>A4</p>  <p>Frame HB/FB - 2pcs</p>	<p>A5</p>  <p>Vertical bar HB/FB - 2pcs</p>
<p>A6</p>  <p>Vertical bar HB/FB - 2pcs</p>	<p>A7</p>  <p>Lower horizontal bar HB/FB - 4pcs</p>	<p>A8</p>  <p>Side panel HB/FB - 4pcs</p>
<p>B</p>  <p>Support HB/FB - 2pcs</p>	<p>C</p>  <p>Side rail (back) - 1pc</p>	<p>D</p>  <p>Side rail (front) - 1pc</p>
<p>E</p>  <p>Long guard rail (back) - 2pcs</p>	<p>E1</p>  <p>Short guard rail (left) - 2pcs</p>	<p>E2</p>  <p>Short guard rail (right) - 2pcs</p>
<p>F</p>  <p>Ladder (left) - 1pc</p>	<p>F1</p>  <p>Ladder (right) - 1pc</p>	<p>F2</p>  <p>Step ladder - 2pcs</p>
<p>G</p>  <p>Horizontal bar - 10pcs</p>	<p>H</p>  <p>Side panel (left) - 1pc</p>	<p>H1</p>  <p>Side panel (right) - 1pc</p>
<p>H2</p>  <p>Divider side panel (left) - 1pc</p>	<p>H3</p>  <p>Divider side panel (right) - 1pc</p>	<p>H4</p>  <p>Shelf + Bottom panel - 4pcs</p>
<p>J</p>  <p>Back panel - 4pcs</p>	<p>K</p>  <p>Slats - 14pcs</p>	

Hardware List



1  Ø10*40mm Wood dowel (8pcs)	2  Ø8*30mm Wood dowel (20pcs)	3  (Ø15)1/4"*100mm Hex-Head bolts (16pcs)
4  (Ø15)1/4"*80mm Hex-Head bolts (12pcs)	5  (Ø12)1/4"*60mm Hex-Head bolts (32pcs)	6  (Ø12)1/4"*40mm Hex-Head bolts (6pcs)
7  (Ø12)1/4"*30mm Hex-Head bolts (7pcs)	8  1/4"*15 (9.5mm) Horizontal-Hole bolts(56pcs)	9  (Ø12)1/4"*50mm Hex-Head bolts (4pcs)
10  (Ø12)1/4"*40mm Hex-Head bolts (16pcs)	11  (1/4")4.5*58mm Allen key (1pc)	12  Ø4*30mm Wood screws (28pcs)
13  Ø3.5*15mm Wood screws (24pcs)	14  Ø3.5*15mm Wood screws (9pcs)	15  L1900mm Led light (1pc)
16  L3000mm Adapter and wire strip (1pc)	17  22*10*6mm Clamp plastic (1pc)	18  40*18*18*2mm Metal bracket (2pcs)

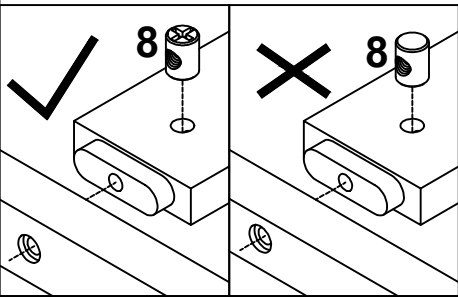
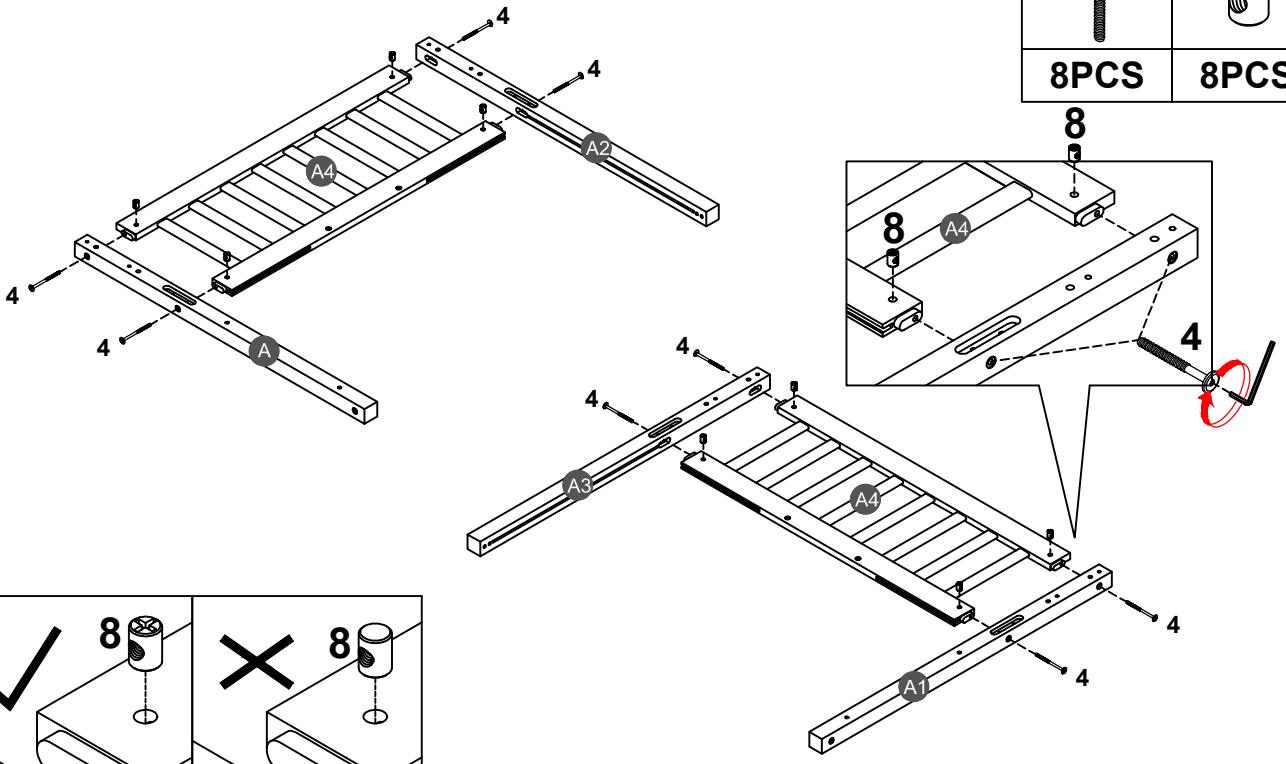
ASSEMBLY TOOLS REQUIRED (NOT INCLUDED)



PLEASE BE CAREFUL DO NOT DAMAGE THE HOLE POSITION WHEN YOU USE POWER TOOLS !




STEP 1:

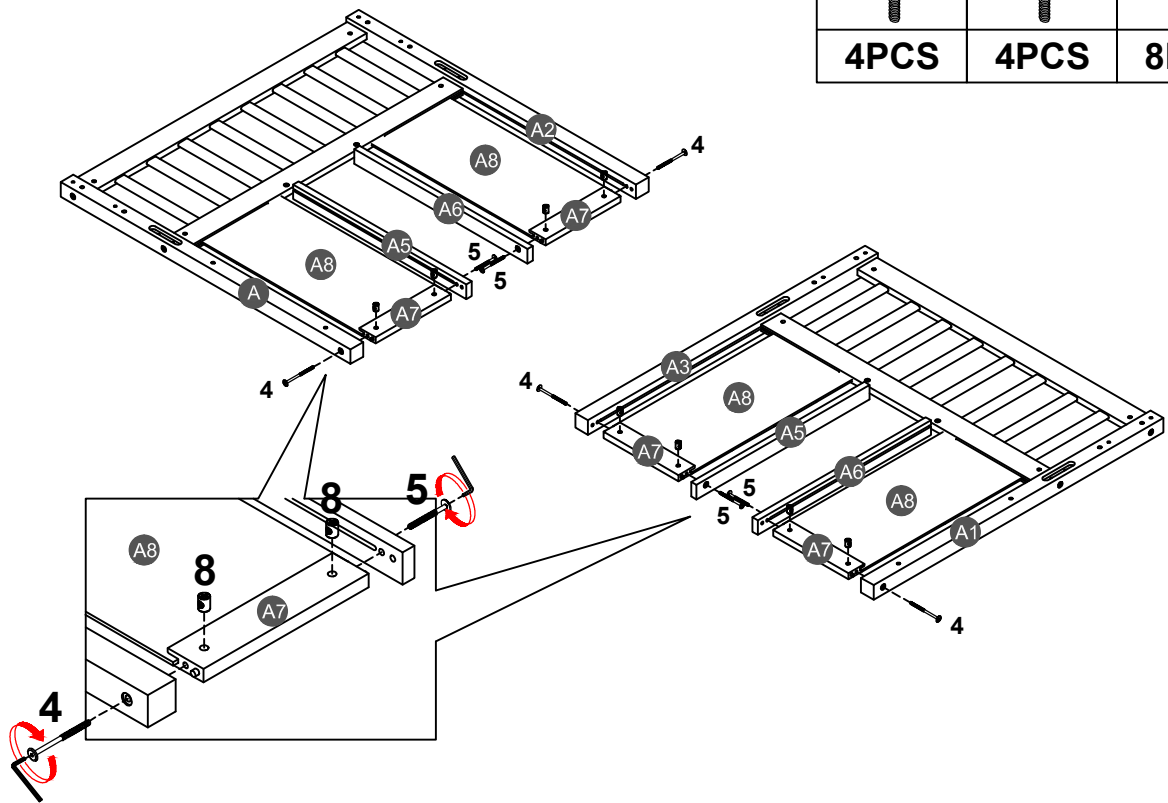
4		8	
8PCS		8PCS	



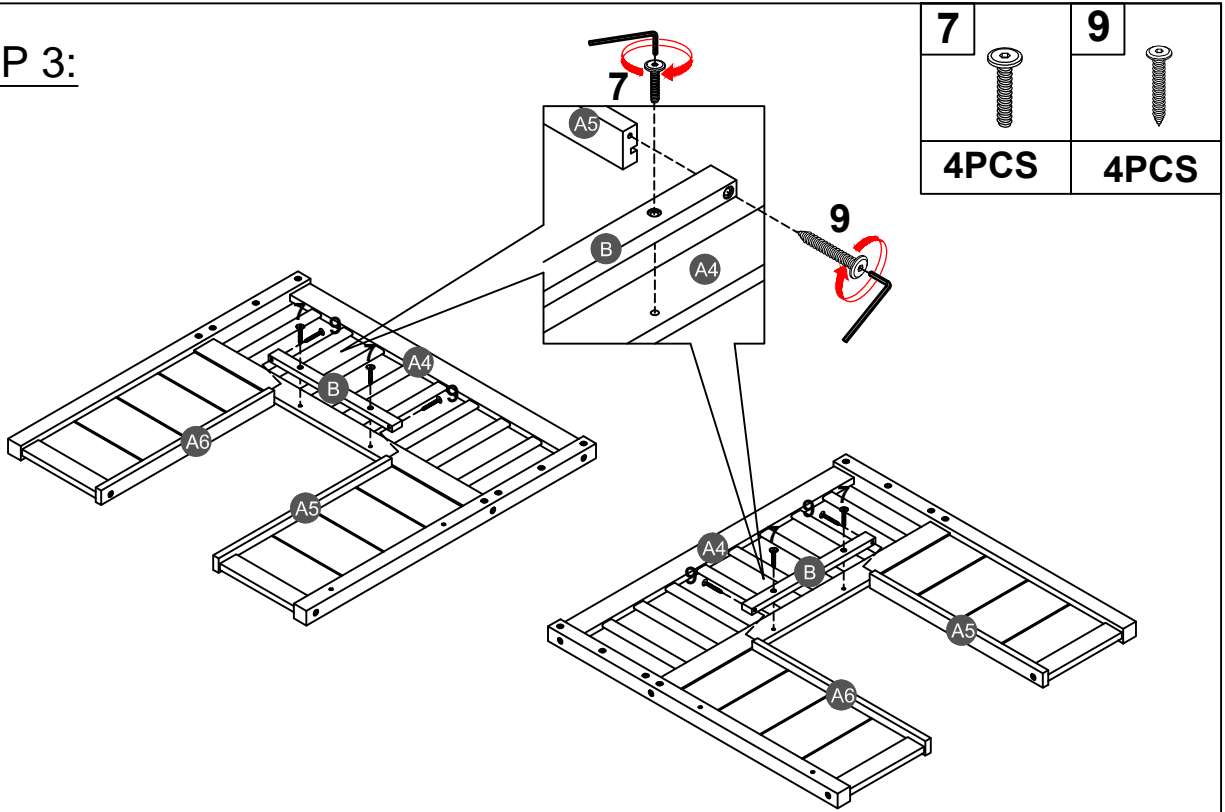
Note: Part 8 will face up with the "x" mark on it, otherwise it cannot be tightened



STEP 2:

4		5		8	
4PCS		4PCS		8PCS	

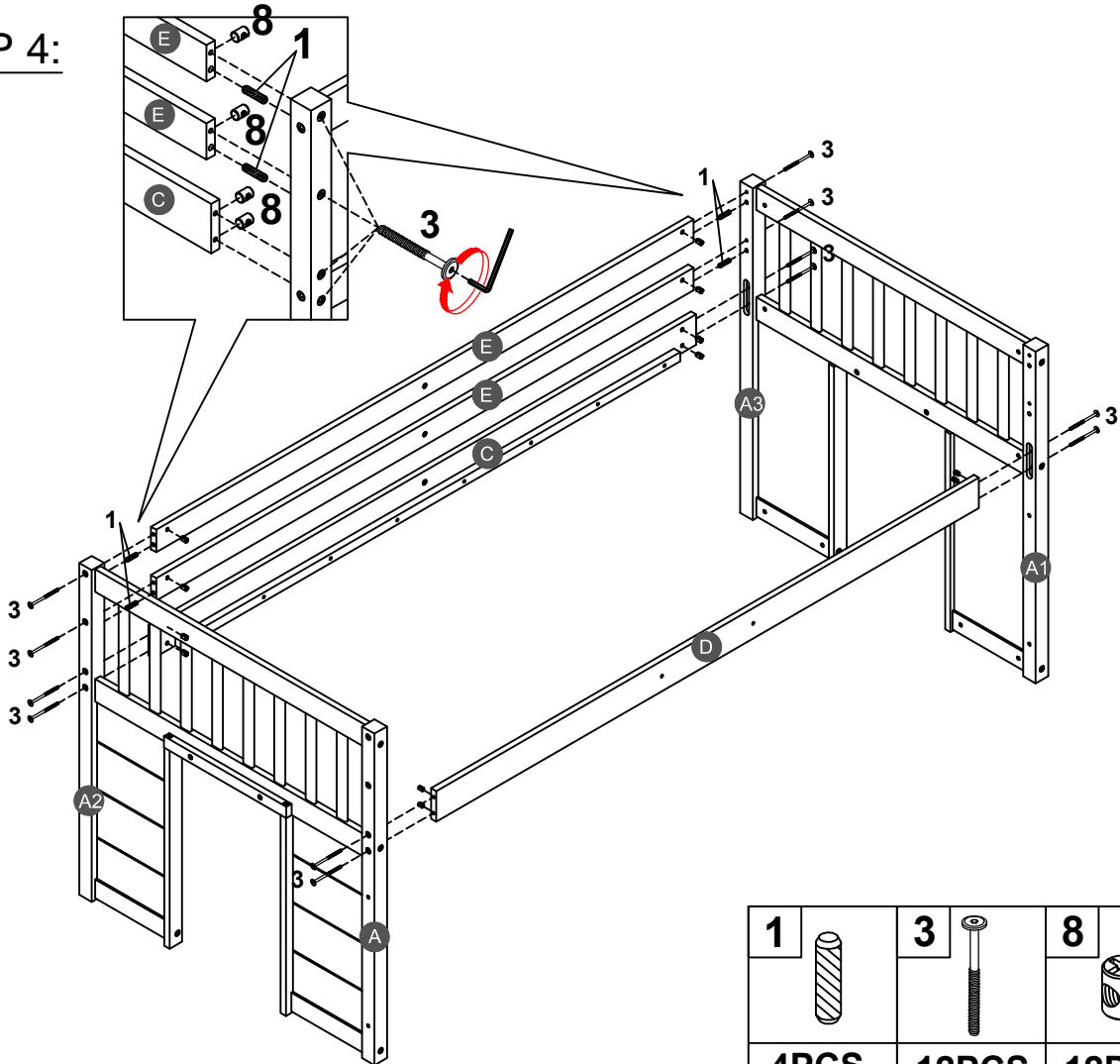





STEP 3:



7		9	
	4PCS		4PCS

STEP 4:



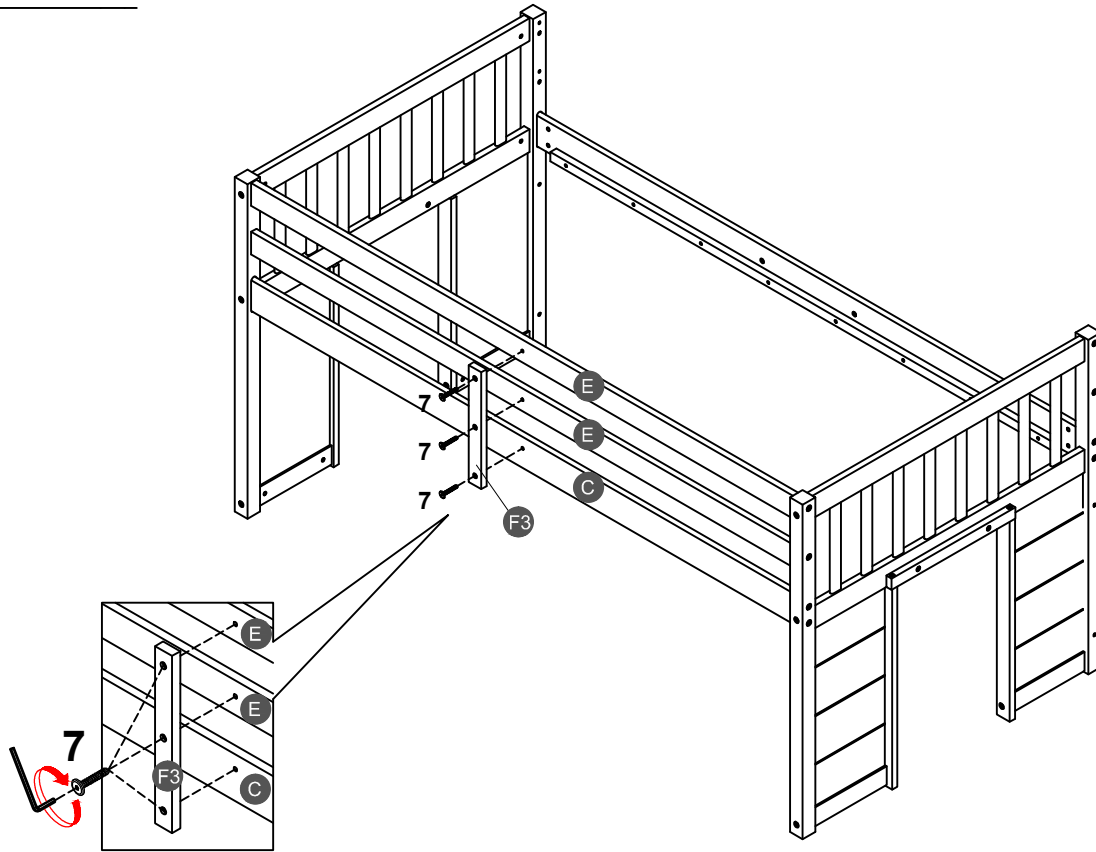
1		3		8	
	4PCS		12PCS		12PCS

STEP 5:

7



3PCS



STEP 6:

5



4PCS

8



4PCS

14

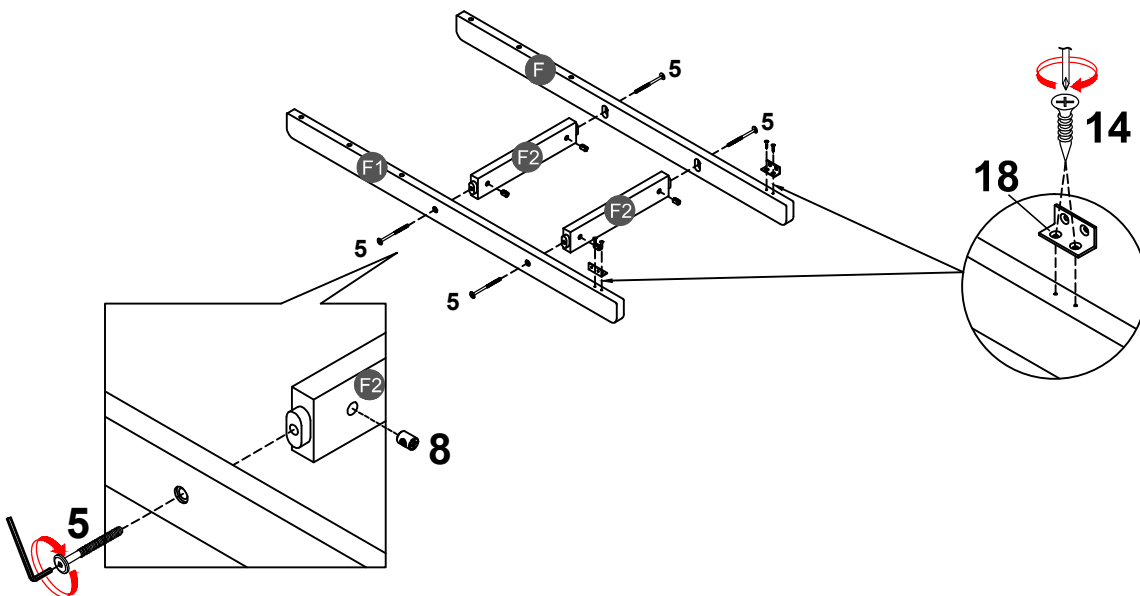


4PCS





18

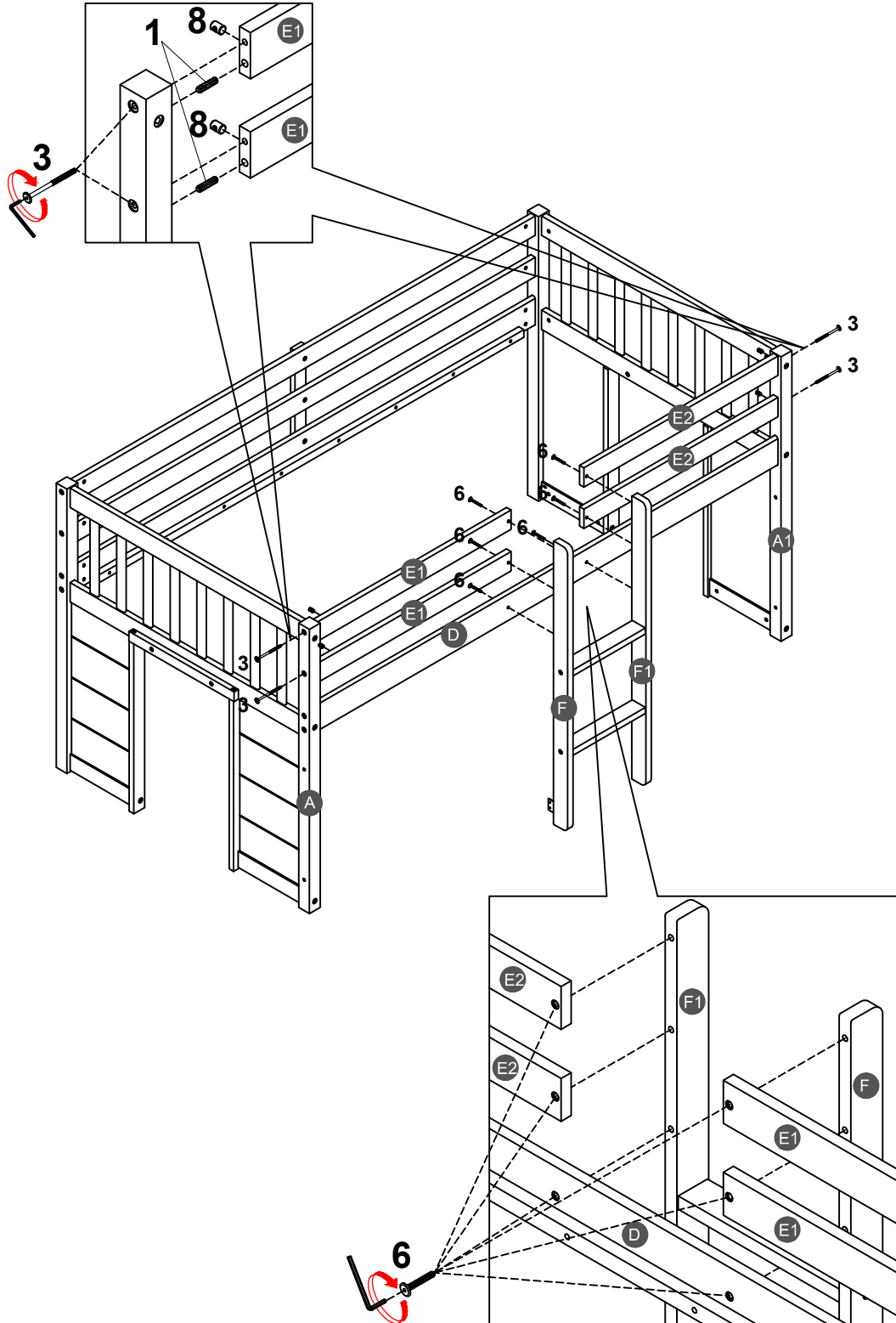


2PCS

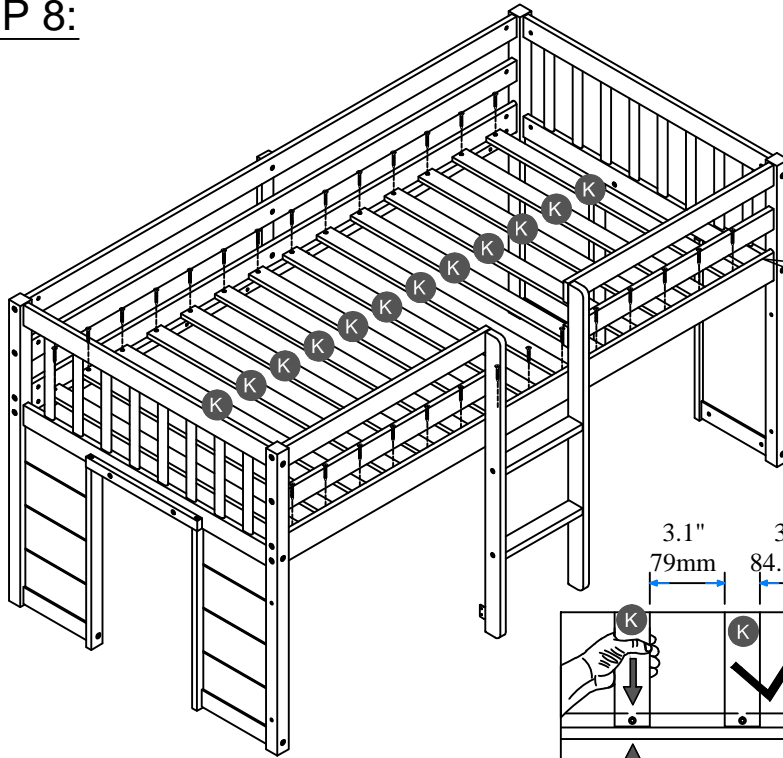


STEP 7:

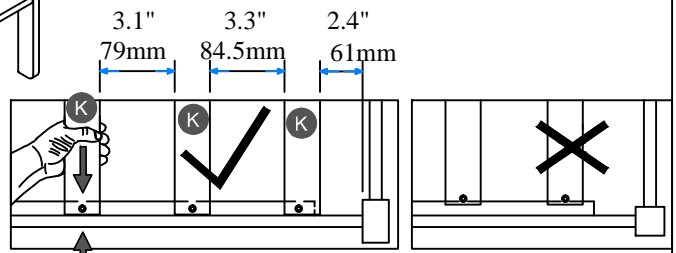
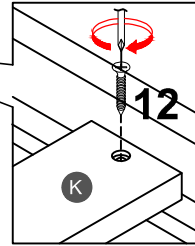
1		3		6		8	
4PCS		4PCS		6PCS		4PCS	



STEP 8:

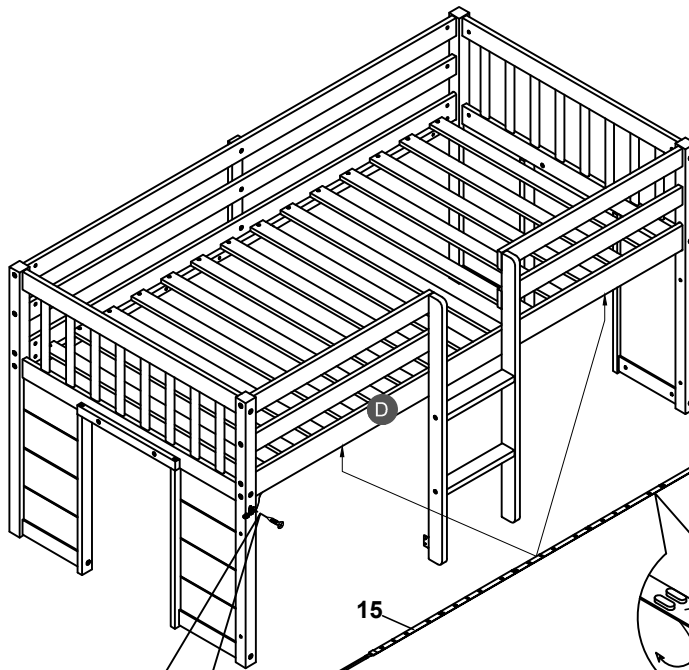


- 12
- 28PCS

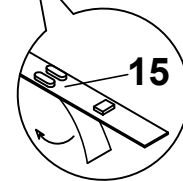
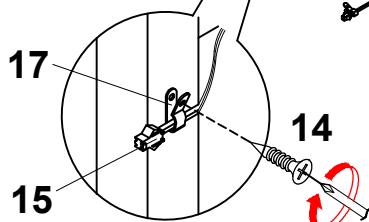
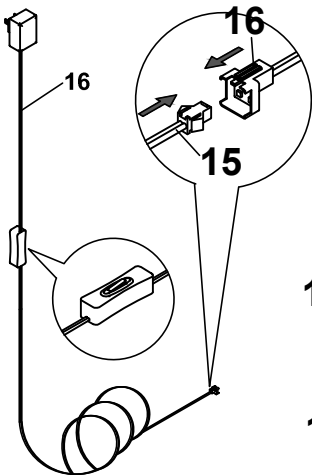


NOTE: Please make sure the bed slats close to the side rail before locking the screws to avoid breakage. This step is required for both the left and right sides. Moreover, please do not lock the screws of the bed slats at the outermost edge to avoid damaging.




STEP 9:

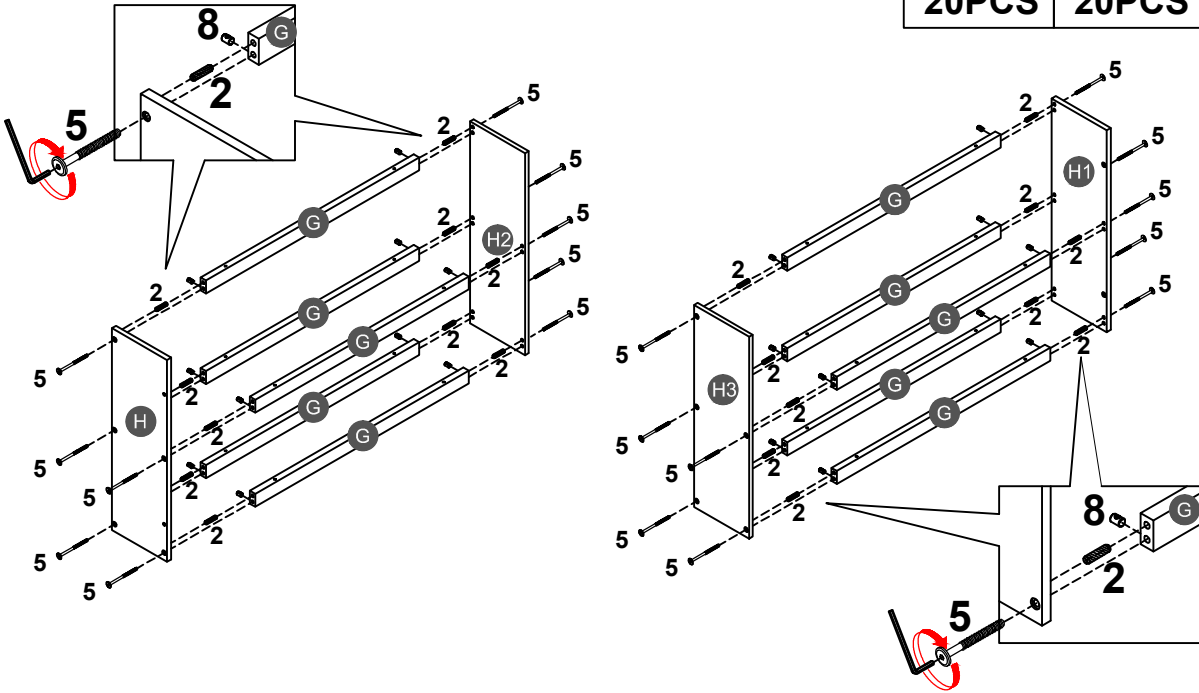


- 14
- 1PC
- 15
- 1PC
- 16
- 1PC
- 17
- 1PC




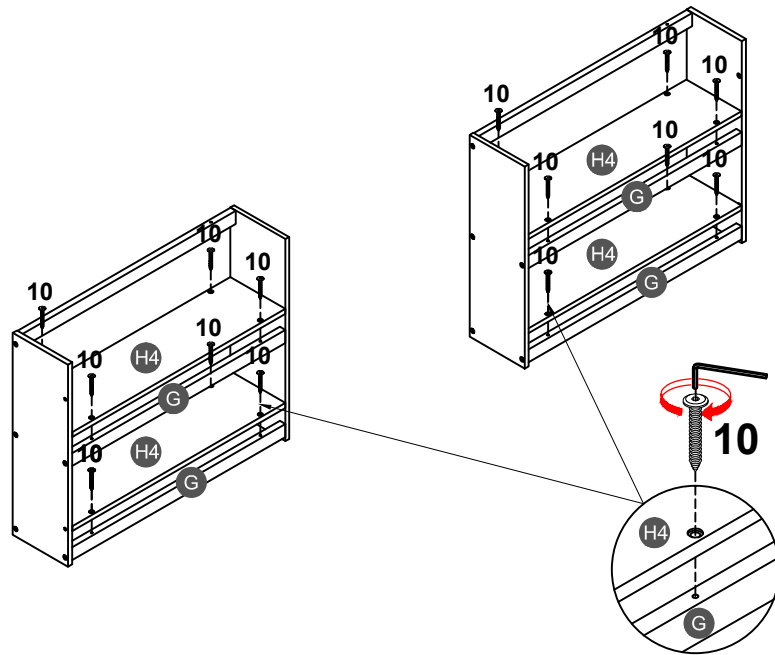
STEP 10:

2		5		8	
20PCS		20PCS		20PCS	



STEP 11:

10	
16PCS	

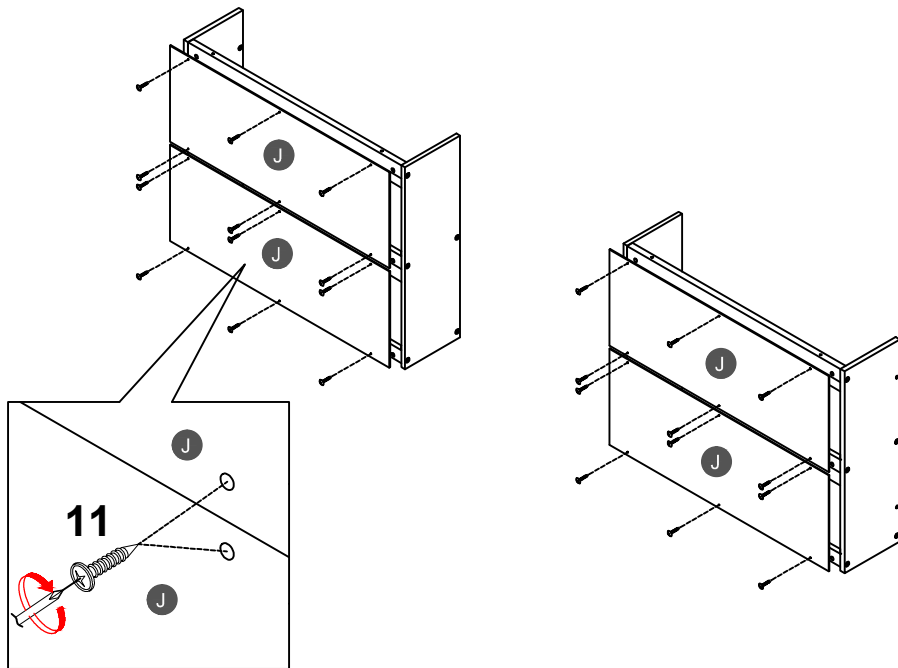


STEP 12:

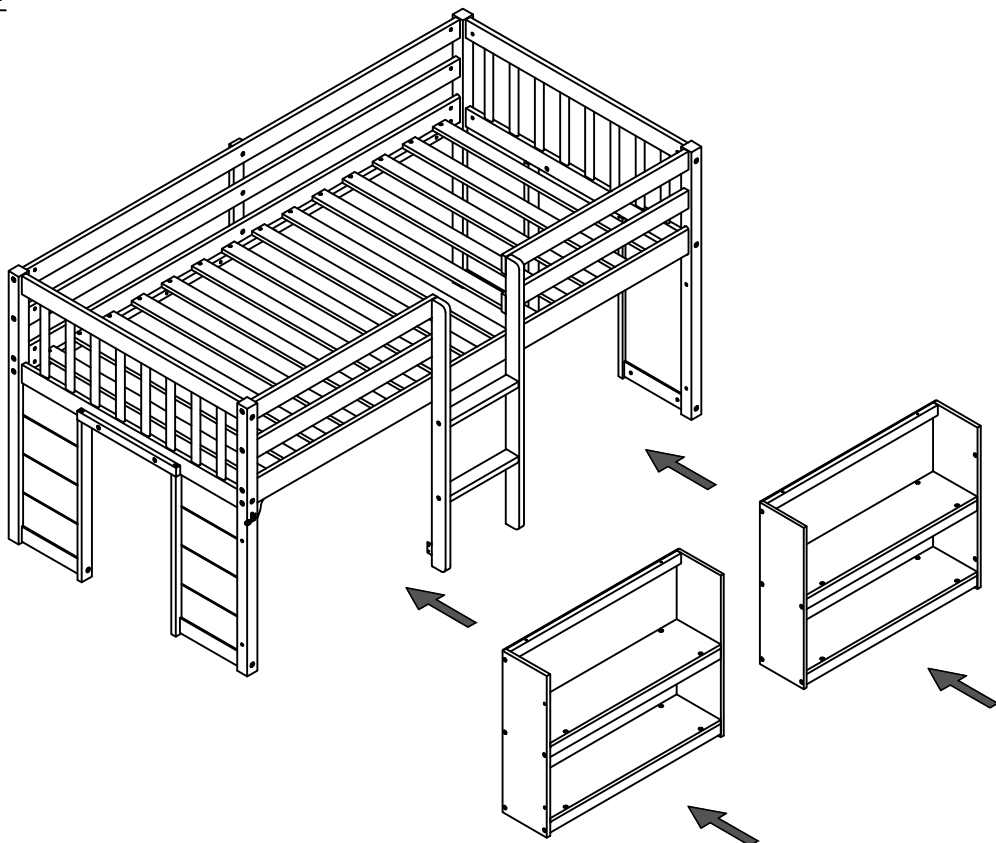
13



24PCS



STEP 13:

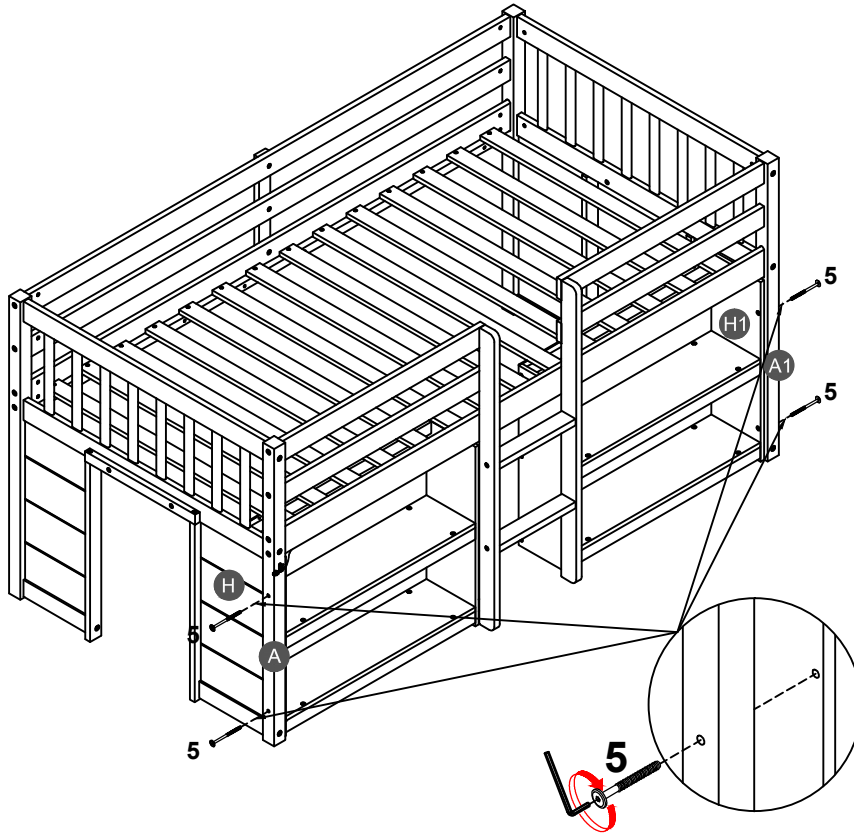


STEP 14:

5



4PCS



STEP 15:

14



4PCS

