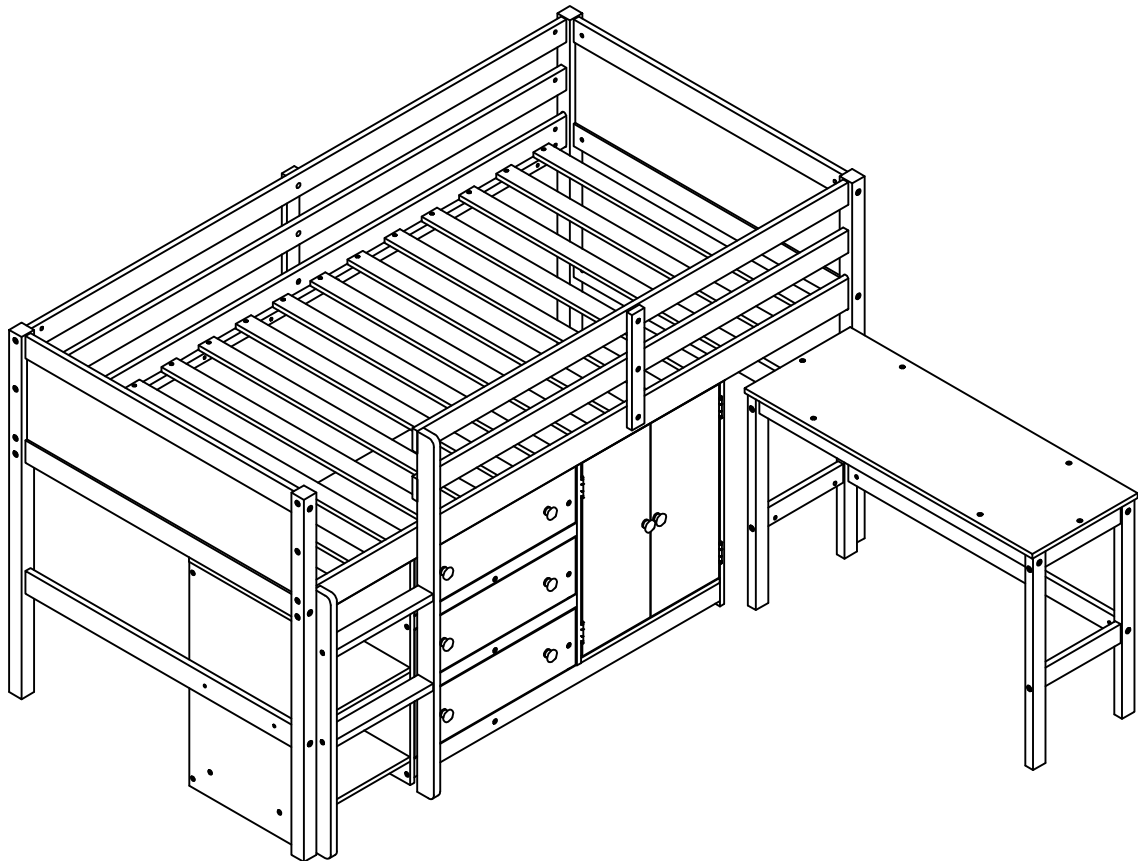


ASSEMBLY INSTRUCTIONS

TWIN MID SLEEP BED WITH DRAWERS, CLOSET AND TABLE



YX5535

**(W697P153414/W697P153415/
W697P153416/W697P153417)**



SAFETY WARNING



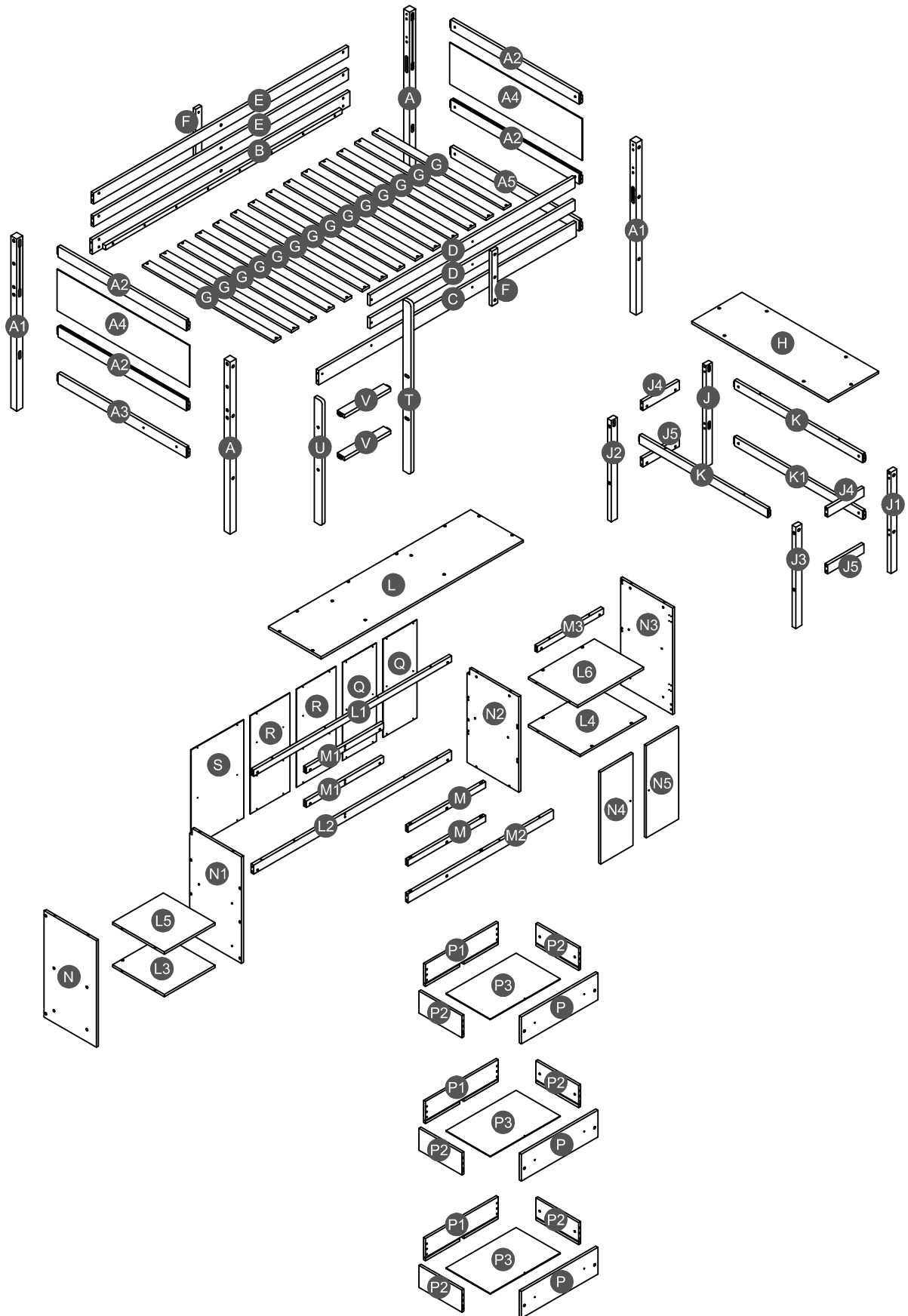
1. This bed is designed for use only mattress (es) meeting the following specifications on the upper bunk, and lower bunk:

Upper bunk (Bunk bed and tribed included)

Bed type	Length	With	Thickness
Twin Standard	74"-75"	38 1/2"	6"

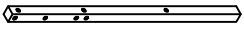
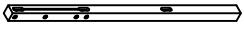
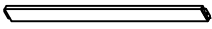







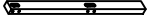
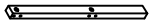
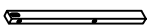
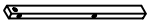







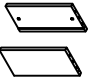
2. Replacement parts, including additional guardrails, maybe obtained from any of our (YX INC.) dealers
3. Follow the information on the warnings appearing on the upper bunk bed end structure and on the carton. Do not remove warning label from bed.
4. Always use the recommended size mattresses or mattress supports, or both, to help prevent the likelihood of entrapment or falls.
5. Surface of mattress must be at least 5" (127mm) below the upper edge of guardrails.
6. Do not allow children under 6 years of age to use the upper bunk.
7. Periodically check and ensure that the guardrail, ladder, and other components are in their proper position, free from damage, and that all connectors are tight.
8. Do not allow horseplay on or under the bed and prohibit jumping on the bed.
9. Always use the ladder for entering and leaving the upper bunk.
10. Do not use substitute part. Contact the manufacture or dealer for replacement part.
11. Use of a night light may provide added safety precaution for a child using the upper bunk.
12. Always use guardrails on both long sides of the upper bunk. If the bunk bed will be placed next to the wall, the guardrail that runs the full length of the bed should be placed against the wall to prevent entrapment between the bed and wall.
13. The use of water or sleep flotation mattresses is prohibited.
14. STRANGULATION HAZARD - Never attach or hang items to any part of the bunk bed that are not designed for use with the bed; for example, but not limited to, hook, belts and jump ropes.
15. Keep these instruction for future reference.
16. Prohibit more than one person on upper bunk
17. We recommend assembling your bunk bed on the shipping carton to protect your floor or carpet.
18. Be certain all staples are out of the box before beginning assembly on the shipping carton.

Detail View



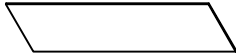




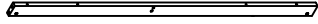



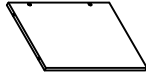


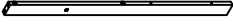
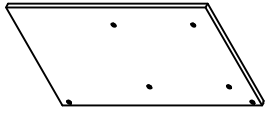
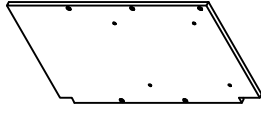
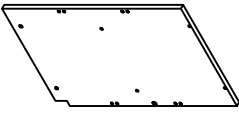
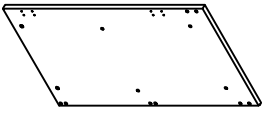
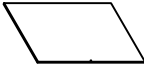
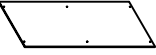

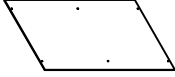
Part List

YX5535 (1-2)

<p>A</p>  <p>Leg (Left front/Right back) - 2pcs</p>	<p>A1</p>  <p>Leg (Left back/Right front) - 2pcs</p>	<p>A2</p>  <p>Upper horizontal bar HB/FB - 4pcs</p>
<p>A3</p>  <p>Lower horizontal bar FB - 1pc</p>	<p>A5</p>  <p>Lower horizontal bar HB - 1pc</p>	<p>B</p>  <p>Side rail (Back) - 1pc</p>
<p>C</p>  <p>Side rail (Front) - 1pc</p>	<p>E</p>  <p>Long guard rail (Back) - 2pcs</p>	<p>F</p>  <p>Vertical guard rail - 2pcs</p>
<p>G</p>  <p>Slat - 14pcs</p>	<p>J</p>  <p>Leg table (Left back) - 1pc</p>	<p>J1</p>  <p>Leg table (Right back) - 1pc</p>
<p>J2</p>  <p>Leg table (Left front) - 1pc</p>	<p>J3</p>  <p>Leg table (Right front) - 1pc</p>	<p>J4</p>  <p>Upper horizontal bar - 2pcs</p>
<p>J5</p>  <p>Lower horizontal bar - 2pcs</p>	<p>K</p>  <p>Horizontal bar - 2pcs</p>	<p>K1</p>  <p>Lower horizontal bar (Back) - 1pc</p>
<p>M3</p>  <p>Horizontal bar (Right back) - 1pc</p>	<p>P</p>  <p>Front drawer panel - 3pcs</p>	<p>P1</p>  <p>Back drawer panel - 3pcs</p>
<p>P2</p>  <p>Left / right drawer panel - 6pcs</p>		

Part List

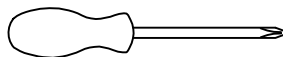
YX5535 (2-2) + Hardware inside

A4  Side panel HB/FB - 2pcs	D  Short guard rail (Front) - 2pcs	H  Top table - 1pc
L  Upper horizontal bar (Back) - 1pc	L1  Lower horizontal bar (Back) - 1pc	L2  Lower horizontal bar (Back) - 1pc
L3  Bottom panel (Left) - 1pc	L4  Bottom panel (Right) - 1pc	L5  Shelf panel (Left) - 1pc
L6  Shelf panel (Right) - 1pc	M  Divider horizontal bar (Front)- 2pcs	M1  Divider horizontal bar (Back)- 2pcs
M2  Lower horizontal bar (Front) - 1pc	N  Side panel (Left) - 1pc	N1  Divider side panel (Left) - 1pc
N2  Divider side panel (Right) - 1pc	N3  Side panel (Right) - 1pc	P3  Drawer bottom - 3pcs
Q  Back panel (Right) - 2pcs	R  Divider back panel - 2pcs	S  Back panel (Left) - 2pcs

Hardware List YX5535 (2-2)

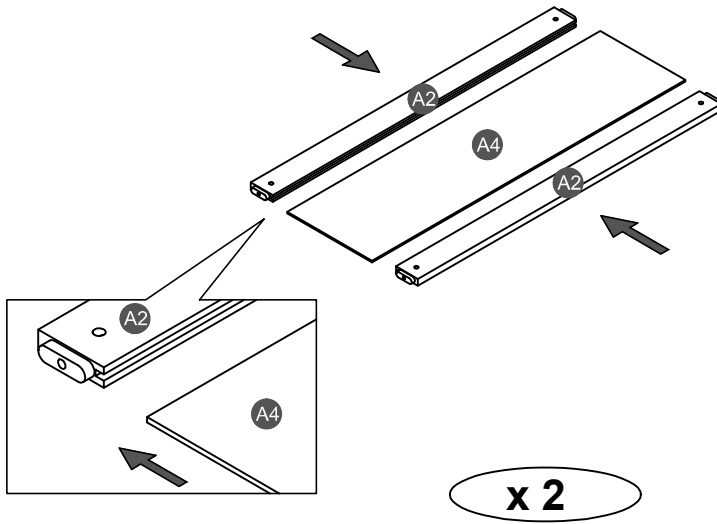
<p>1</p>  <p style="text-align: center;">Ø10*40mm</p> <p style="text-align: center;">Wood dowel (6pcs)</p>	<p>2</p>  <p style="text-align: center;">Ø10*20mm</p> <p style="text-align: center;">Wood dowel (1pc)</p>	<p>3</p>  <p style="text-align: center;">Ø8*30mm</p> <p style="text-align: center;">Wood dowel (48pcs)</p>
<p>4</p>  <p style="text-align: center;">(Ø15)1/4"*100mm</p> <p style="text-align: center;">Hex-Head bolts (14pcs)</p>	<p>5</p>  <p style="text-align: center;">(Ø15)1/4"*80mm</p> <p style="text-align: center;">Hex-Head bolts (22pcs)</p>	<p>6</p>  <p style="text-align: center;">(Ø12)1/4"*70mm</p> <p style="text-align: center;">Hex-Head bolts (6pcs)</p>
<p>7</p>  <p style="text-align: center;">(Ø12)1/4"*60mm</p> <p style="text-align: center;">Hex-Head bolts (60pcs)</p>	<p>8</p>  <p style="text-align: center;">(Ø12)1/4"*40mm</p> <p style="text-align: center;">Hex-Head bolts (4pcs)</p>	<p>9</p>  <p style="text-align: center;">(Ø12)1/4"*30mm</p> <p style="text-align: center;">Hex-Head bolts (6pcs)</p>
<p>10</p>  <p style="text-align: center;">1/4"*15 (9.5mm)</p> <p style="text-align: center;">Horizontal-Hole bolts(102pcs)</p>	<p>11</p>  <p style="text-align: center;">(Ø12)1/4"*40mm</p> <p style="text-align: center;">Hex-Head bolts (18pcs)</p>	<p>12</p>  <p style="text-align: center;">Ø4*30mm</p> <p style="text-align: center;">Wood screws (30pcs)</p>
<p>13</p>  <p style="text-align: center;">Ø3.5*15mm</p> <p style="text-align: center;">Wood screws (34pcs)</p>	<p>14</p>  <p style="text-align: center;">365*58*28mm</p> <p style="text-align: center;">Lower slider drawer (3pcs)</p>	<p>15</p>  <p style="text-align: center;">340*30mm</p> <p style="text-align: center;">Upper slider drawer (3pcs)</p>
<p>16</p>  <p style="text-align: center;">Ø38*31mm</p> <p style="text-align: center;">Pine Knob (8pcs)</p>	<p>17</p>  <p style="text-align: center;">3/16"*25mm</p> <p style="text-align: center;">Ph zinc(Knob) (8pcs)</p>	<p>18</p>  <p style="text-align: center;">42*12*1mm</p> <p style="text-align: center;">Metal magnet (2pcs)</p>
<p>19</p>  <p style="text-align: center;">Ø3.5*15mm</p> <p style="text-align: center;">Wood screws (41pcs)</p>	<p>20</p>  <p style="text-align: center;">70*37*28mm (135°)</p> <p style="text-align: center;">Metal bracket (4pcs)</p>	<p>21</p>  <p style="text-align: center;">140*41*21mm</p> <p style="text-align: center;">Stopper door (1pc)</p>
<p>22</p>  <p style="text-align: center;">50*24*24*2mm</p> <p style="text-align: center;">Metal bracket (1pc)</p>	<p>23</p>  <p style="text-align: center;">(1/4")4.5*58mm</p> <p style="text-align: center;">Allen key (1pc)</p>	

ASSEMBLY TOOLS REQUIRED (NOT INCLUDED)





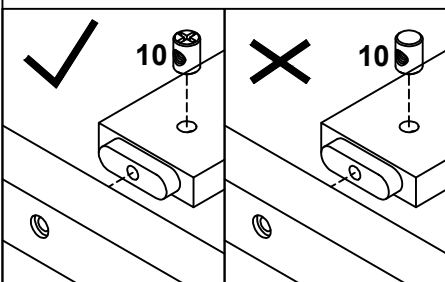
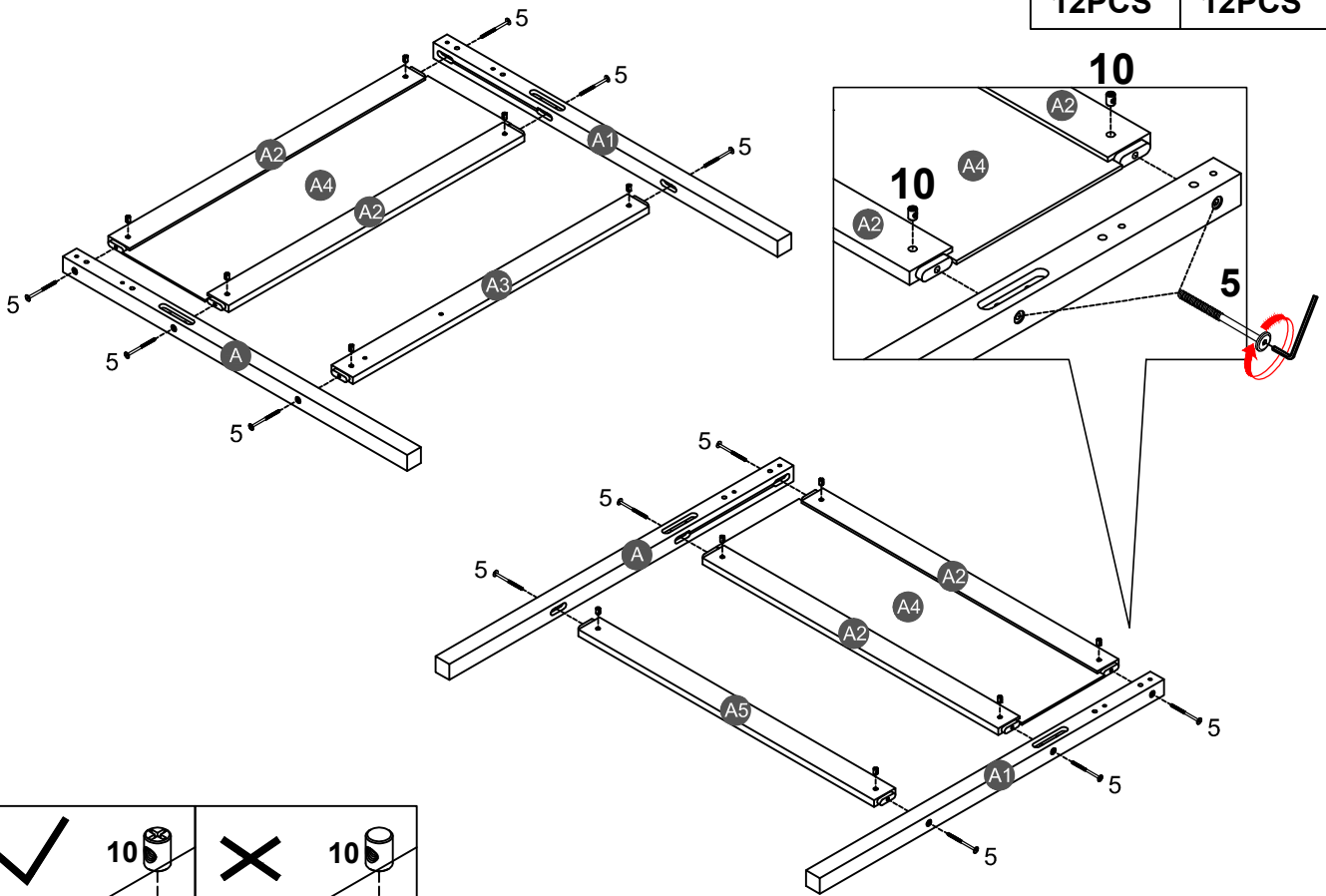
PLEASE BE CAREFUL DO NOT DAMAGE THE HOLE POSITION WHEN YOU USE POWER TOOLS !

STEP 1:



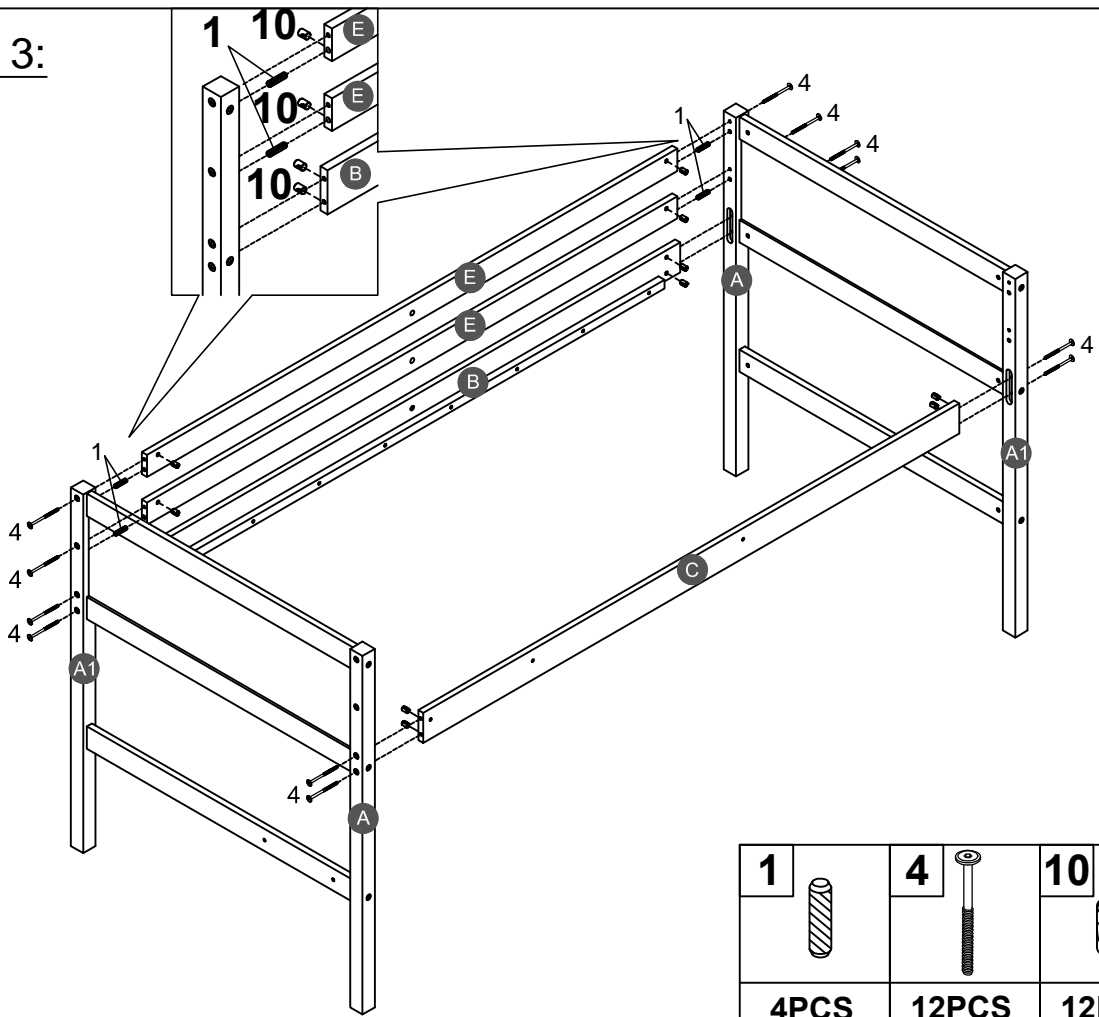
STEP 2:


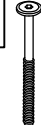

5		10	
12PCS		12PCS	



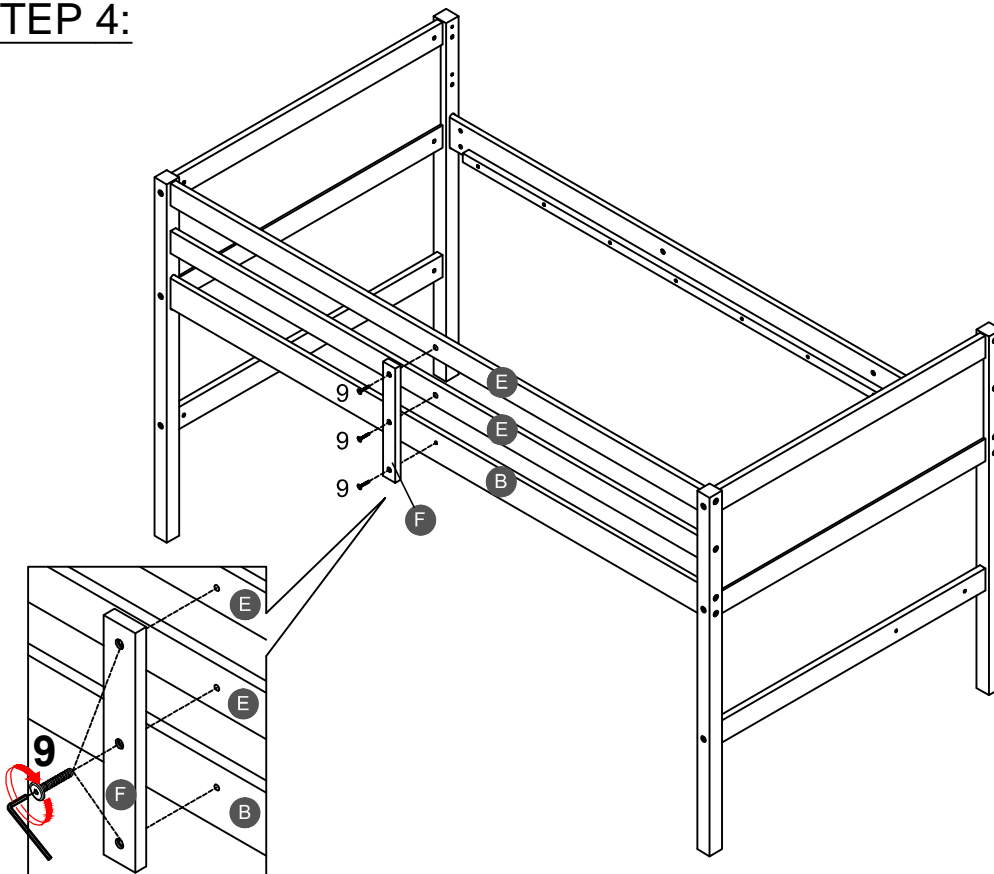
Note: Part 10 will face up with the "x" mark on it, otherwise it cannot be tightened


STEP 3:



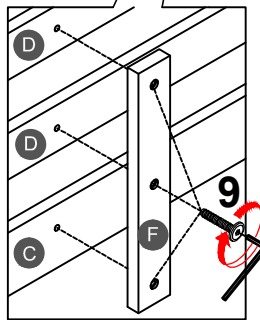
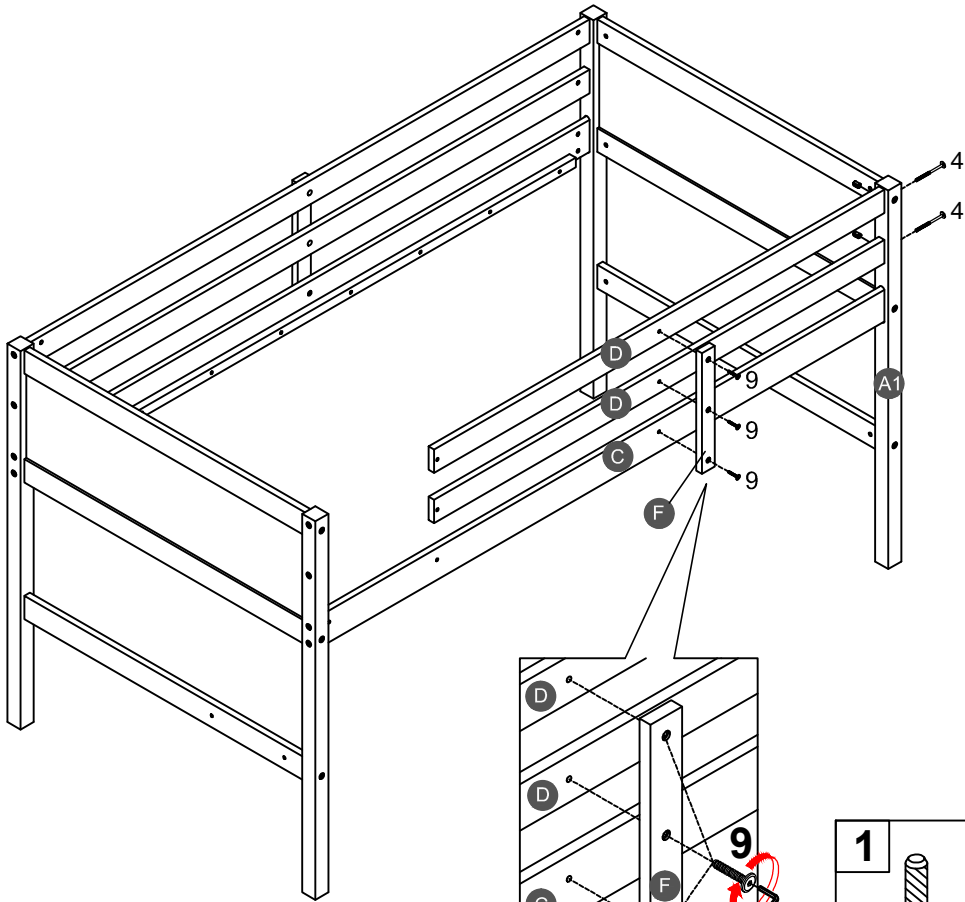
1		4		10	
4PCS		12PCS		12PCS	

STEP 4:



9	
3PCS	

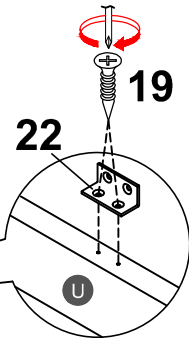
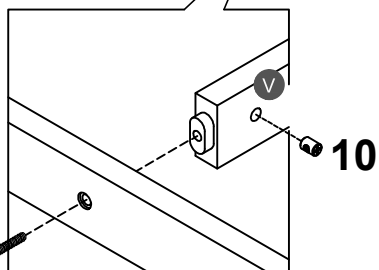
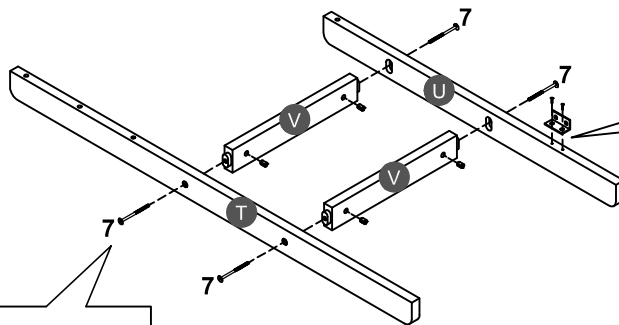
STEP 5:



1 	4 	9
2PCS	2PCS	3PCS

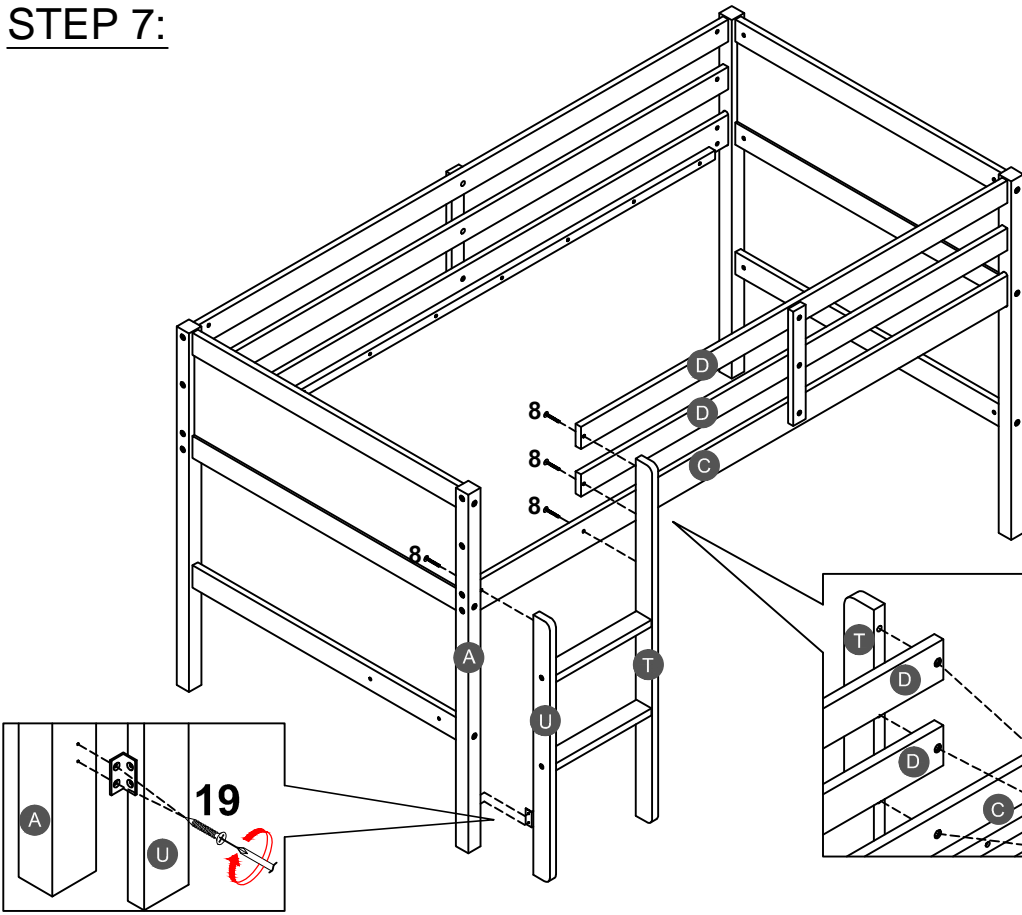
10
2PCS

STEP 6:



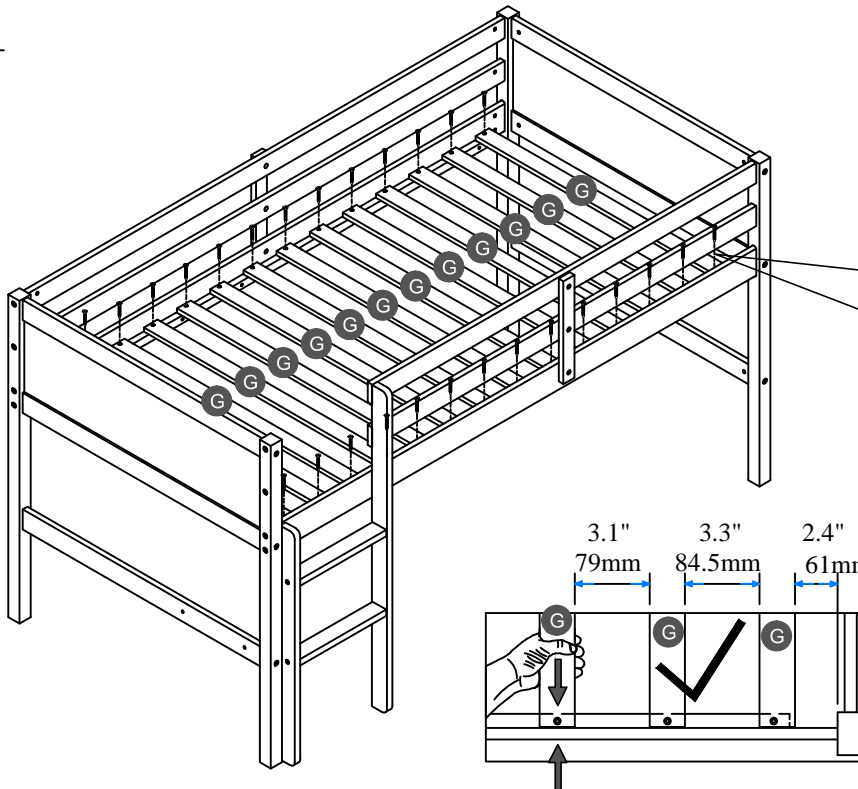
7 	10 	19 	22
4PCS	4PCS	2PCS	1PC

STEP 7:



- 8
- 4PCS
- 19
- 2PCS



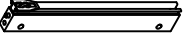
STEP 8:

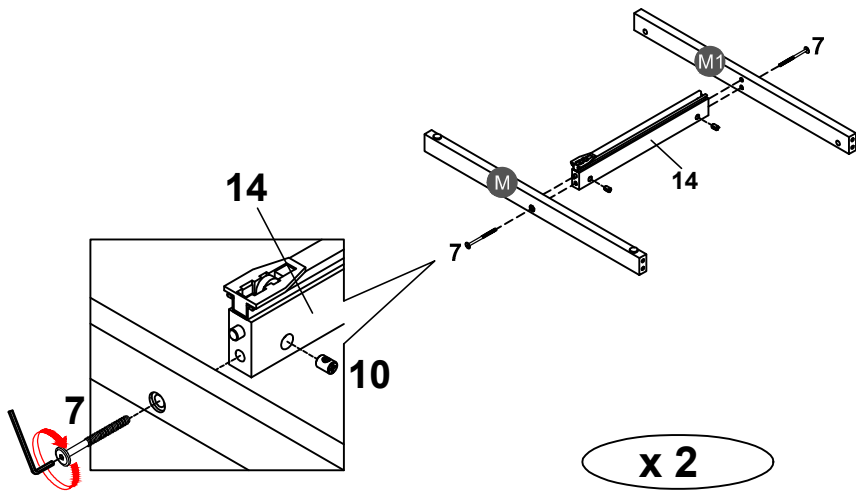


- 12
- 28PCS




NOTE: Please make sure the bed slats close to the side rail before locking the screws to avoid breakage. This step is required for both the left and right sides. Moreover, please do not lock the screws of the bed slats at the outermost edge to avoid damaging.

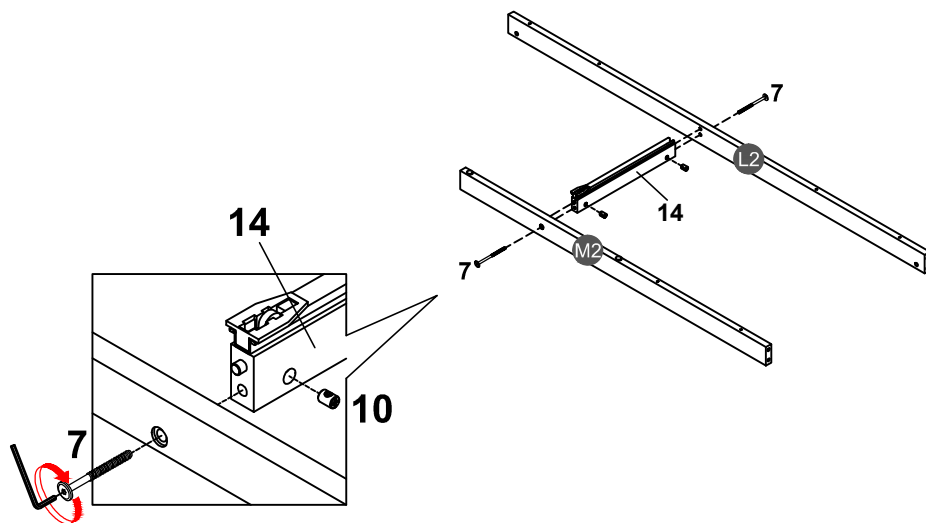
STEP 9:

7		10		14	
4PCS		4PCS		2PCS	





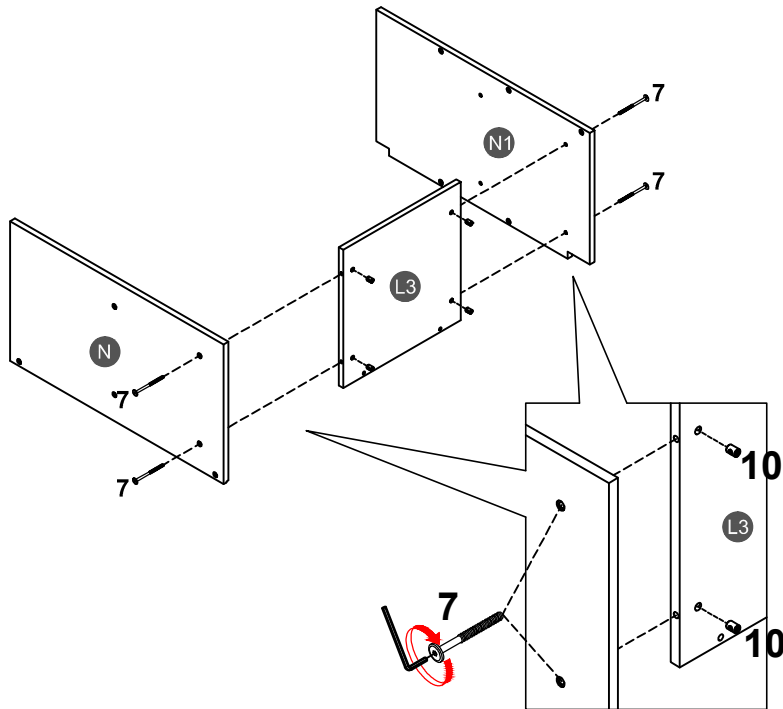
STEP 10:

7		10		14	
2PCS		2PCS		1PC	






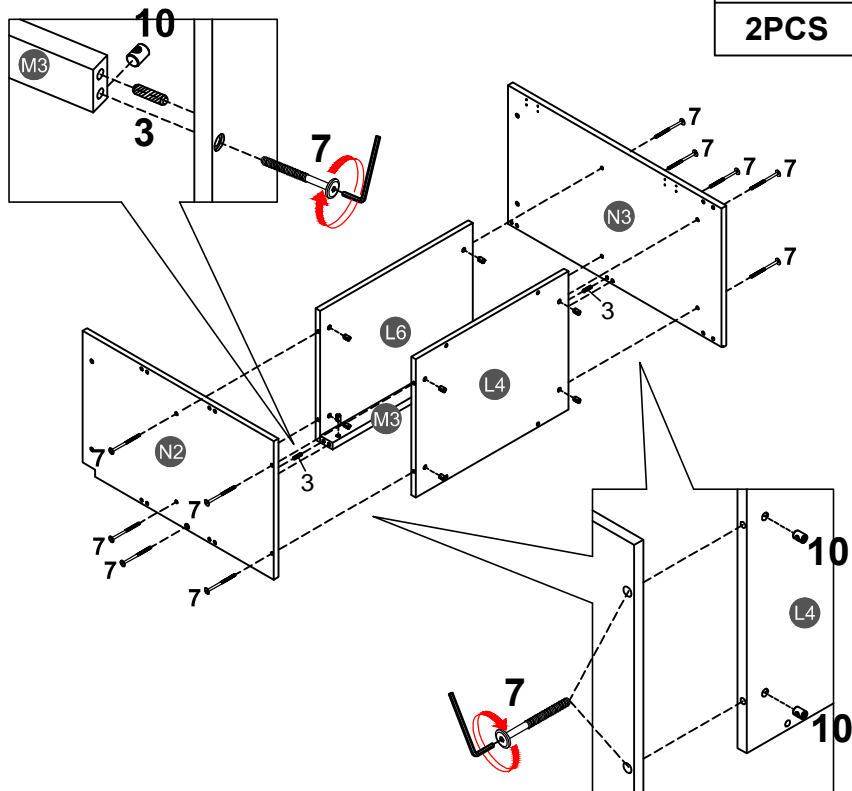
STEP 11:

7		10	
4PCS		4PCS	

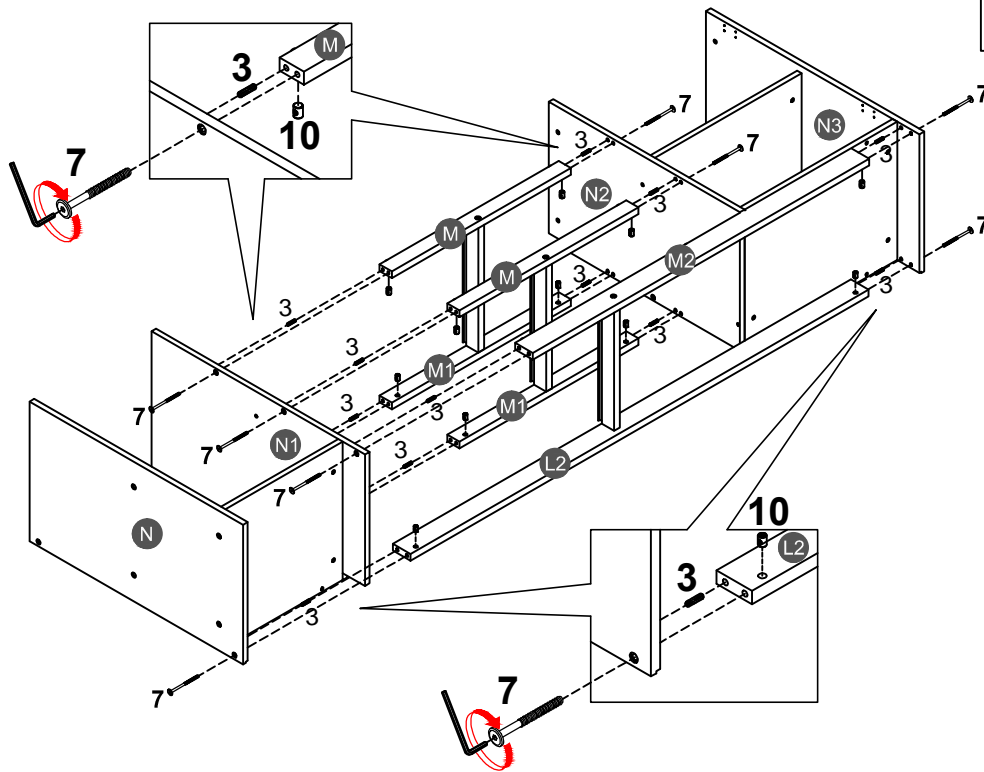


STEP 12:

3		7		10	
2PCS		10PCS		10PCS	

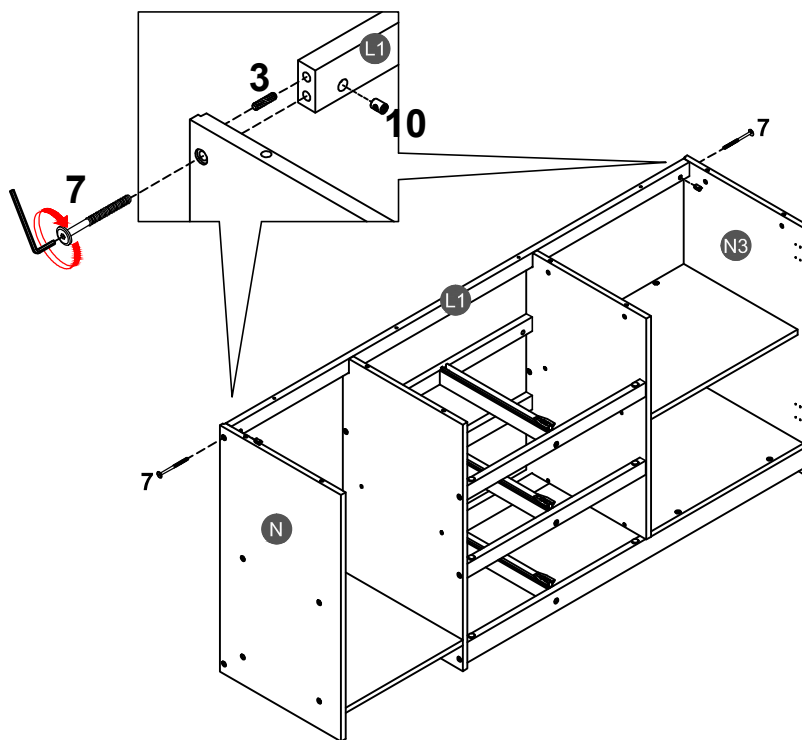


STEP 13:



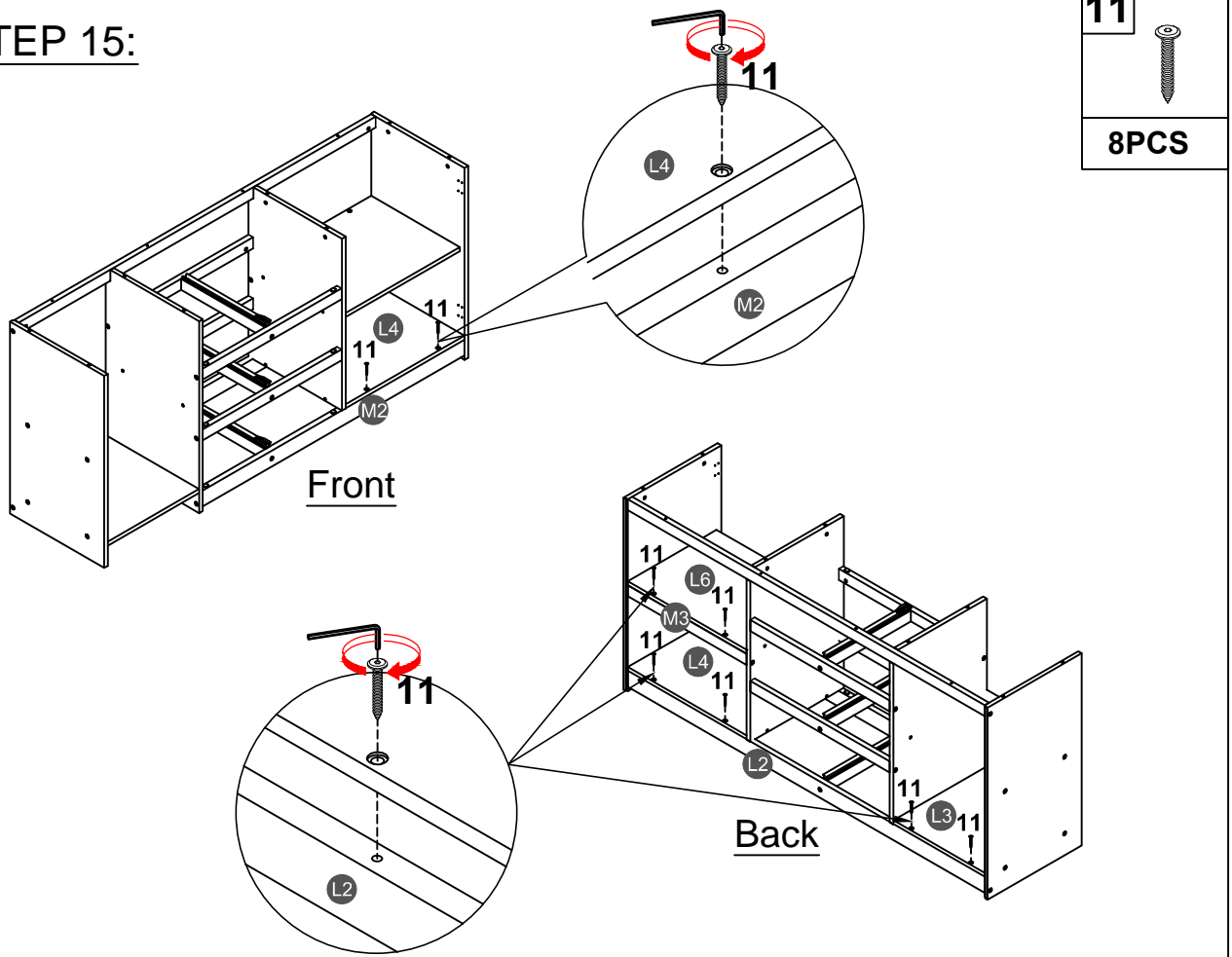
3		7	
12PCS		12PCS	
		10	
		12PCS	


STEP 14:



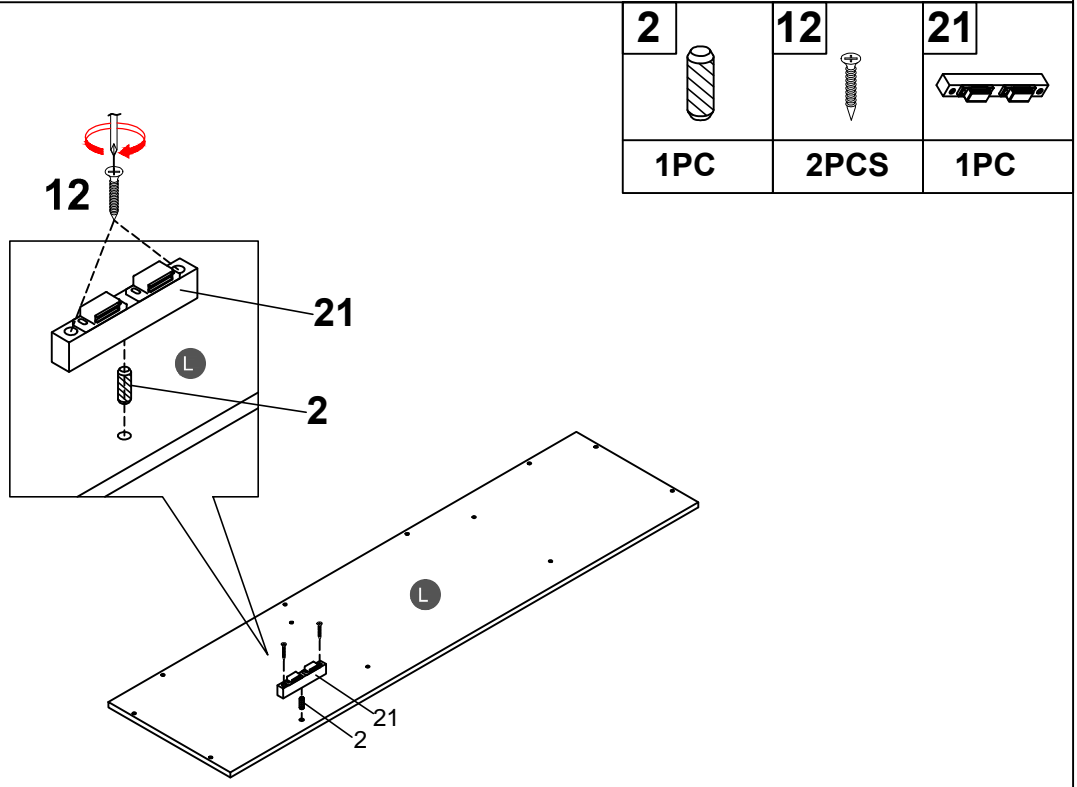
3		7	
2PCS		2PCS	
		10	
		2PCS	



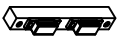
STEP 15:



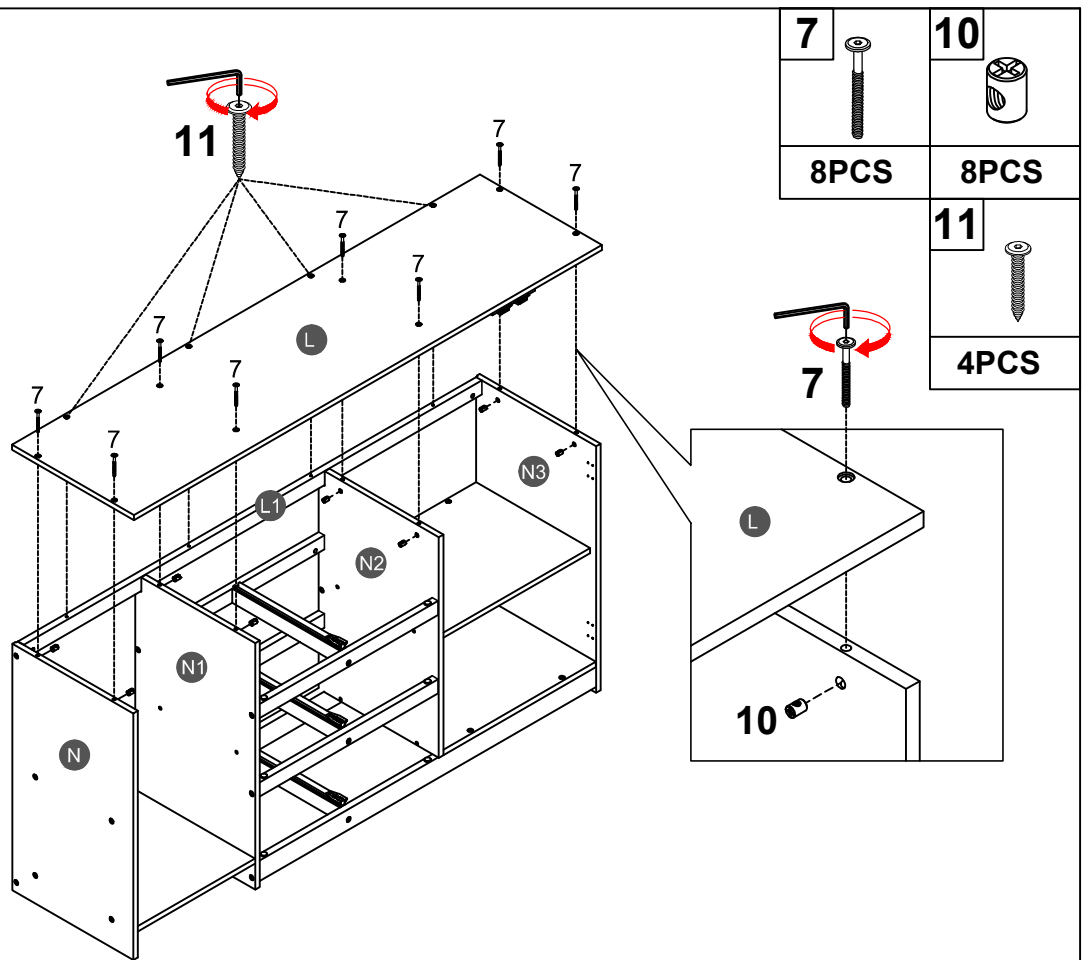
11	
8PCS	

STEP 16:

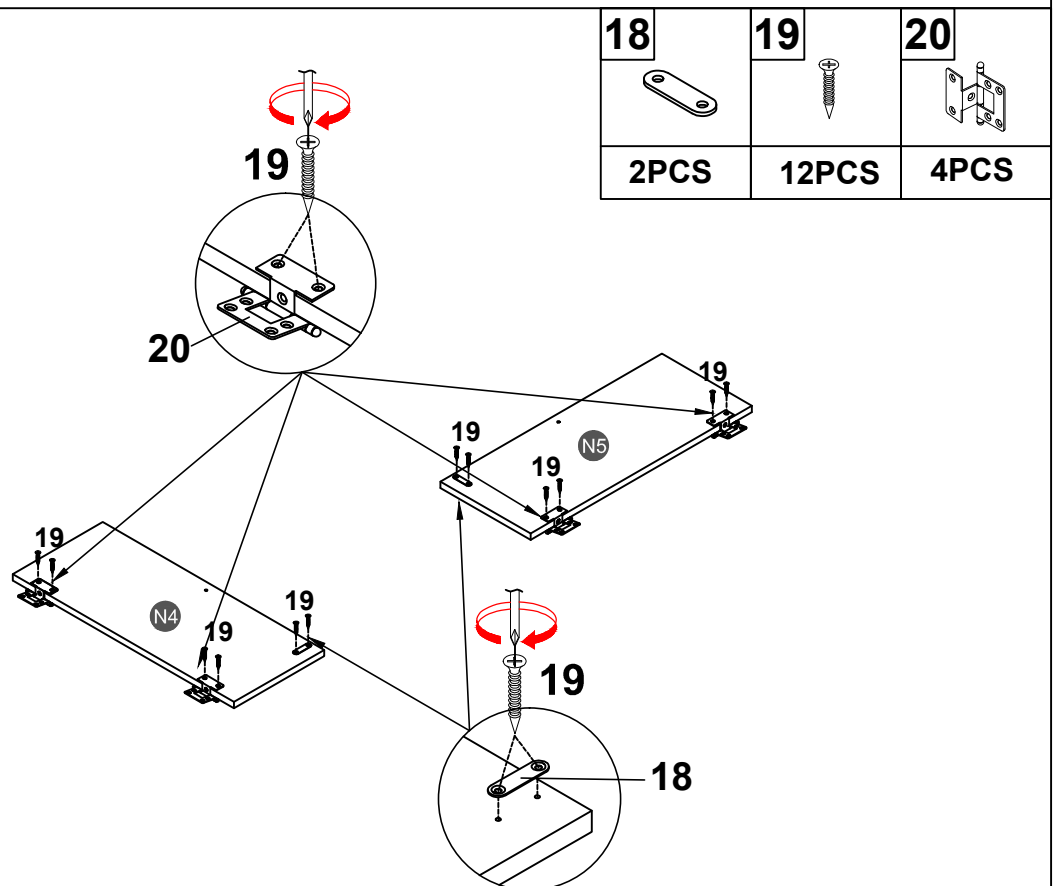


2		12		21	
1PC		2PCS		1PC	



STEP 17:

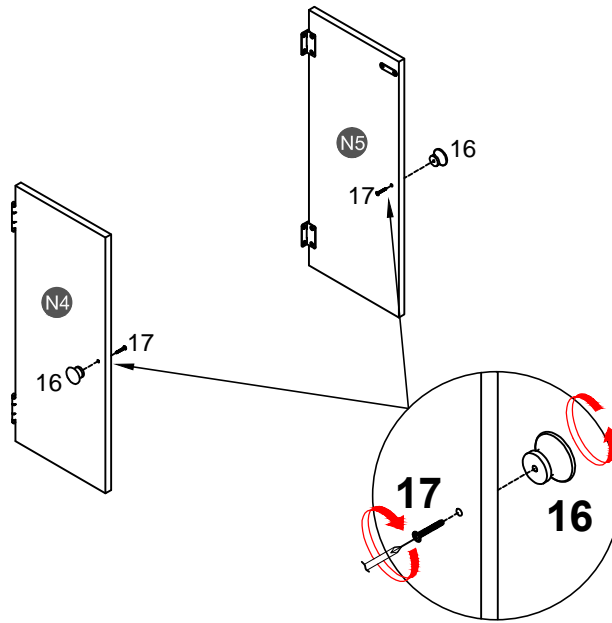


STEP 18:




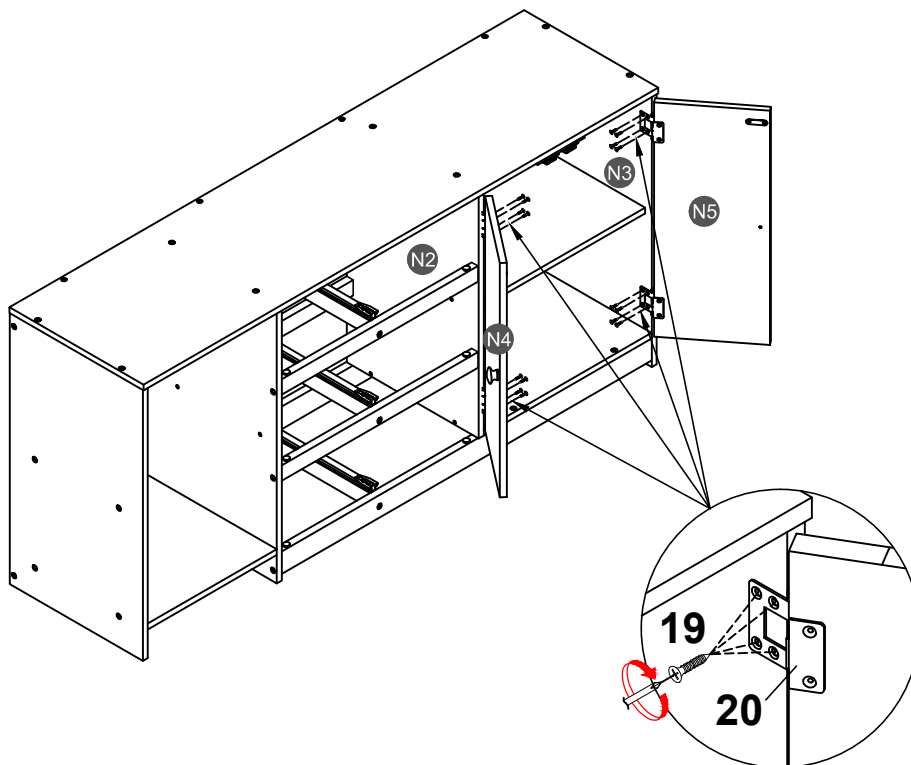
STEP 19:

16	17
	
2PCS	2PCS



STEP 20:

19

16PCS

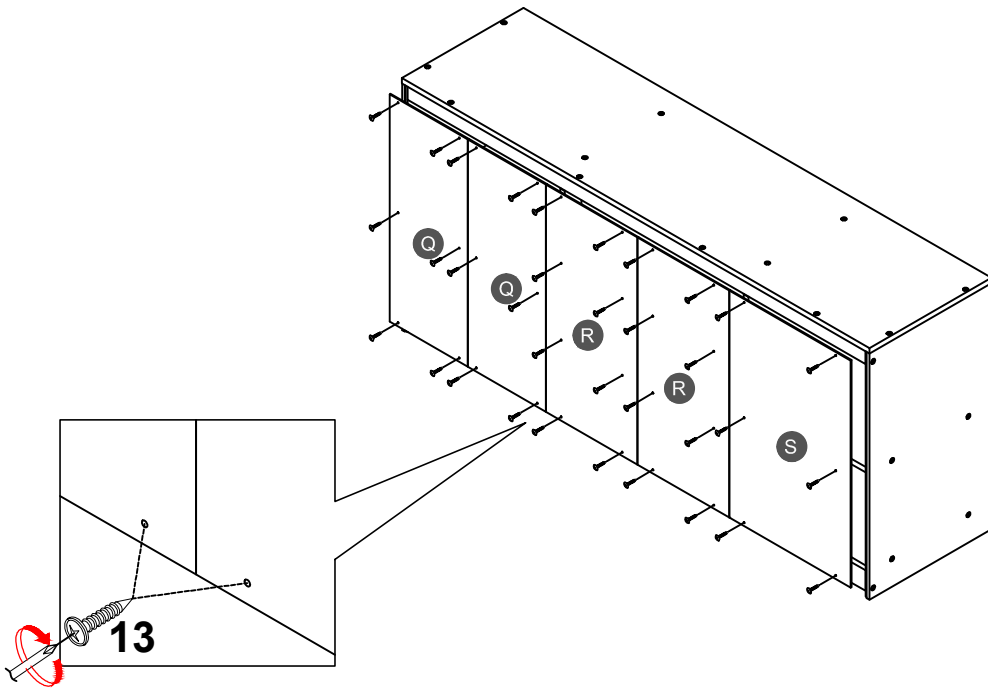


STEP 21:

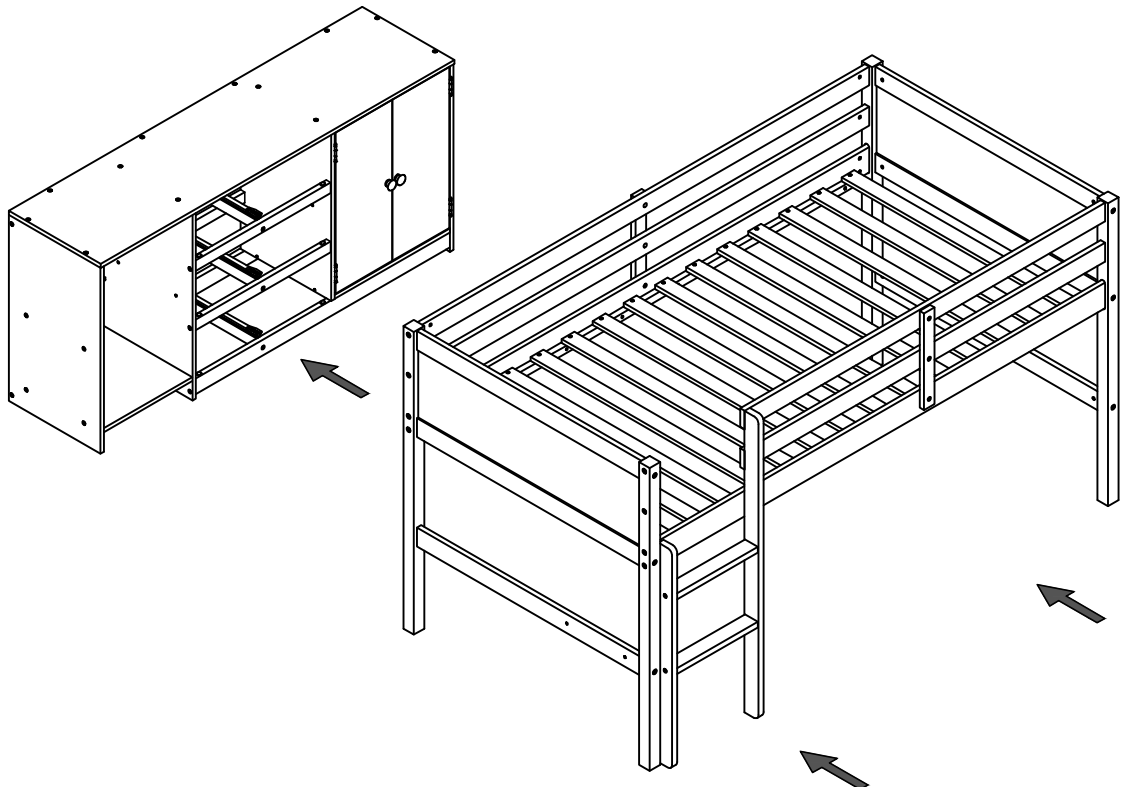
13



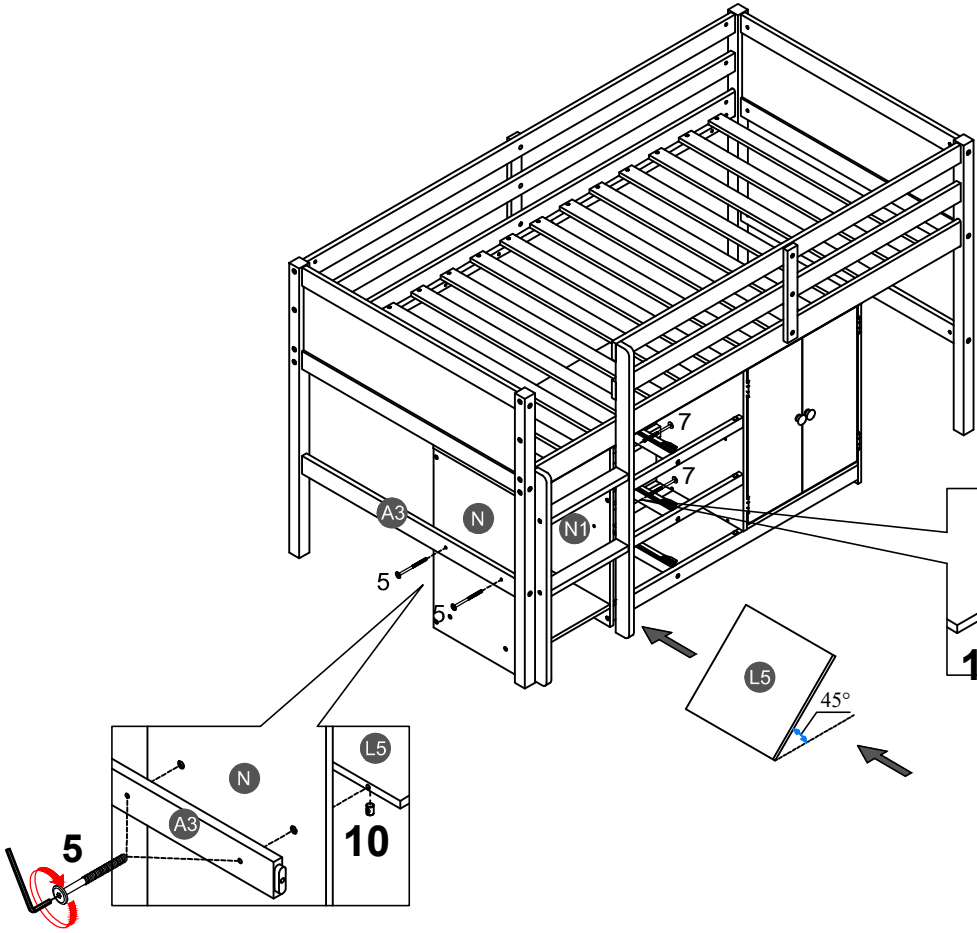
34PCS



STEP 22:

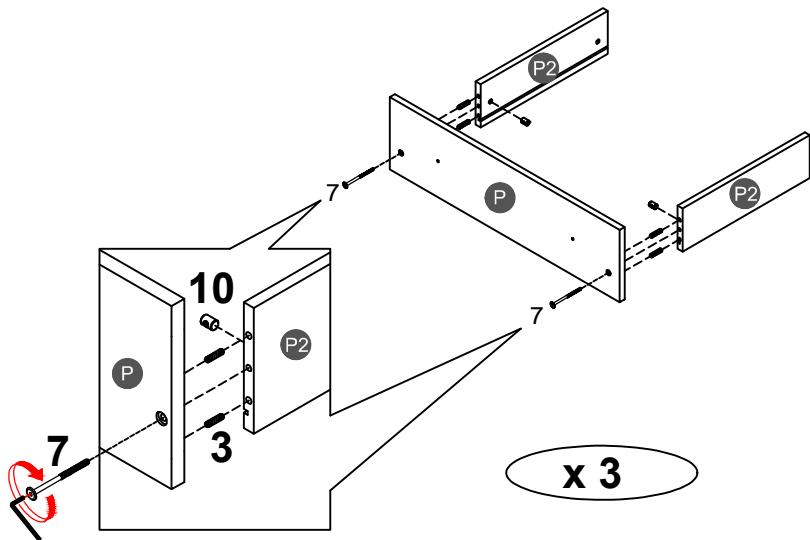


STEP 23:






5		7	
2PCS		2PCS	
		10	
		4PCS	

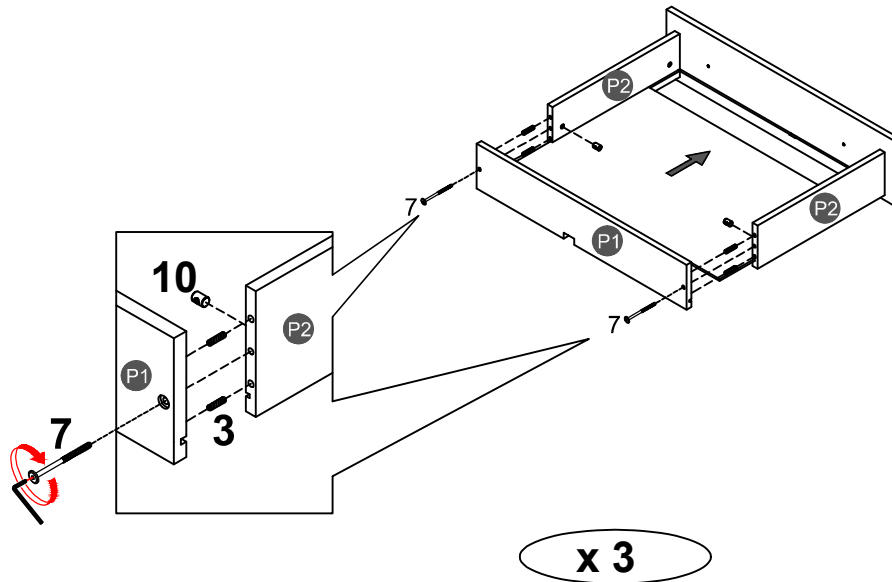
STEP 24:





3		7	
12PCS		6PCS	
		10	
		6PCS	

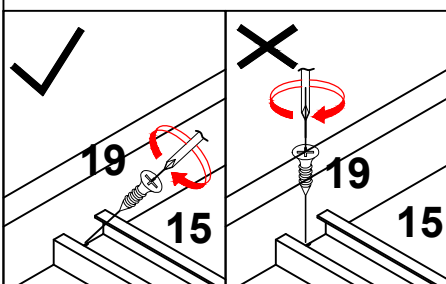
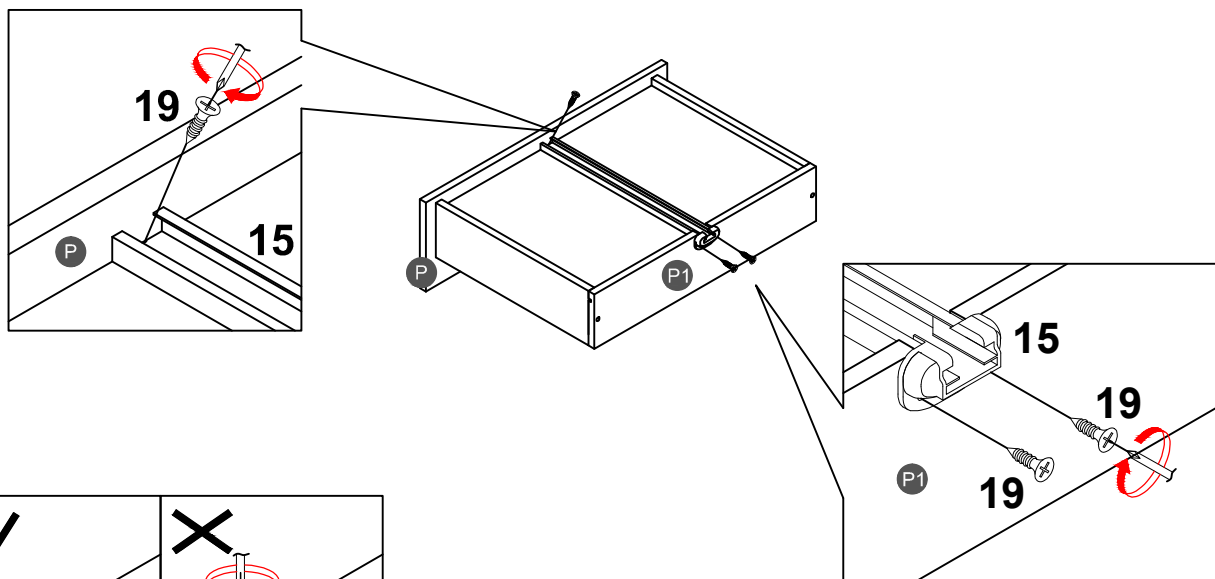
STEP 25:

3		7	
12PCS		6PCS	
		10	
		6PCS	





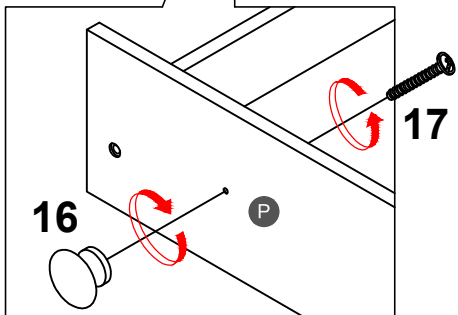
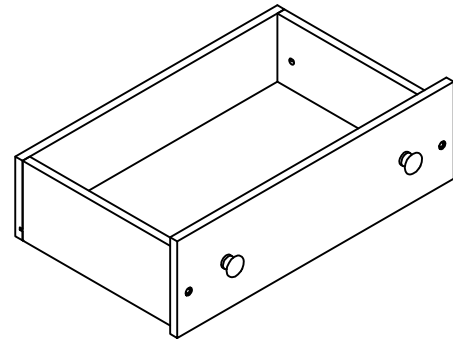
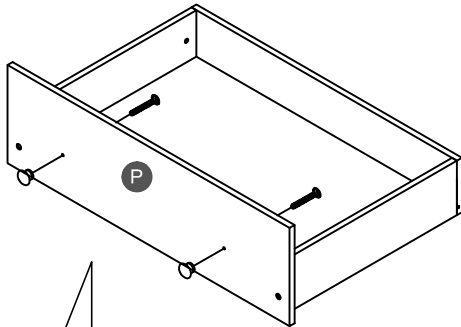
STEP 26:

15		19	
3PCS		9PCS	



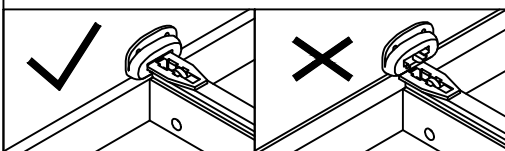
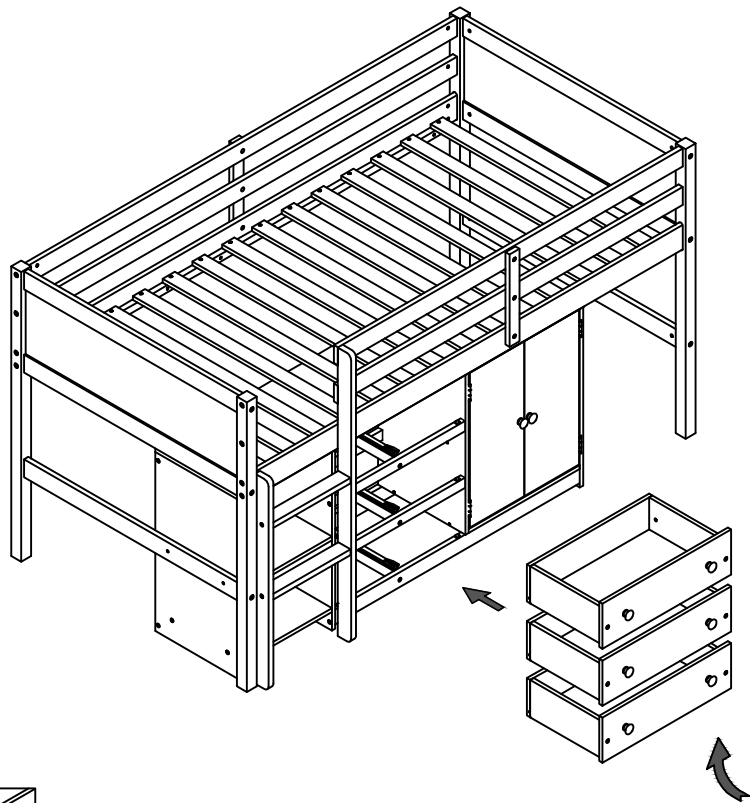
STEP 27:

16		17	
6PCS		6PCS	






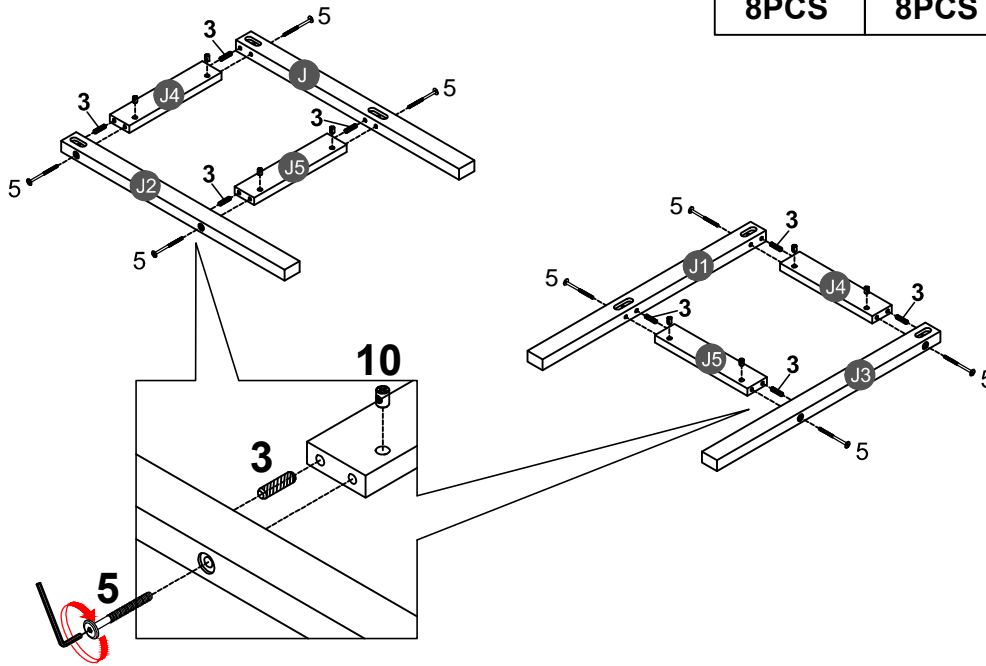
x 3

STEP 28:





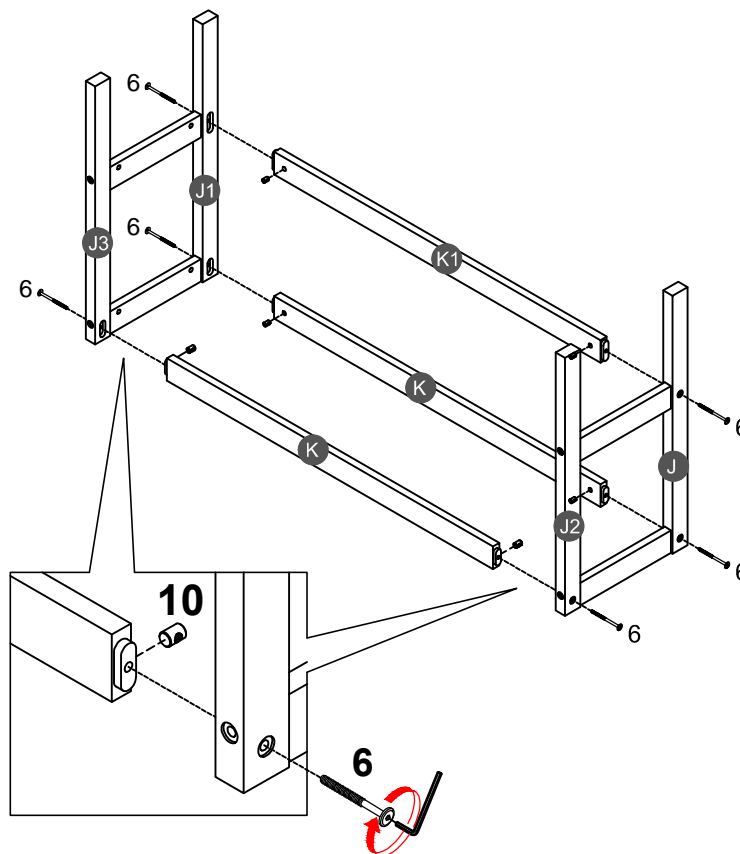
STEP 29:

3		5		10	
8PCS		8PCS		8PCS	



STEP 30:

6		10	
6PCS		6PCS	

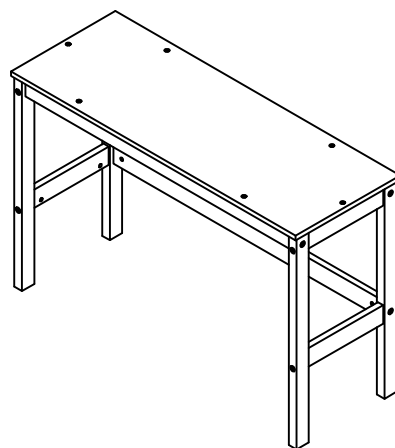
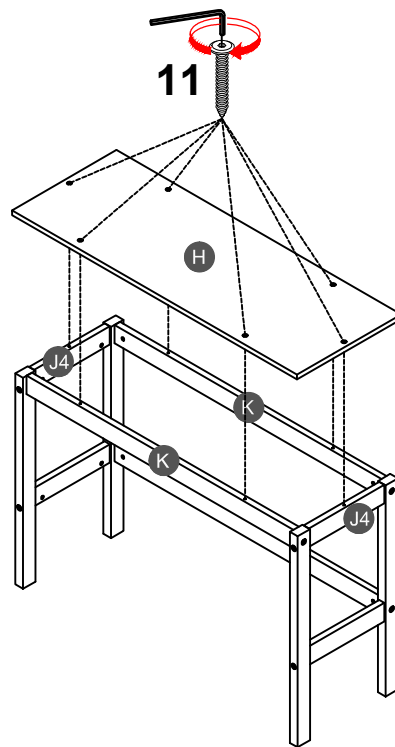


STEP 31:

11



6PCS



STEP 32:

