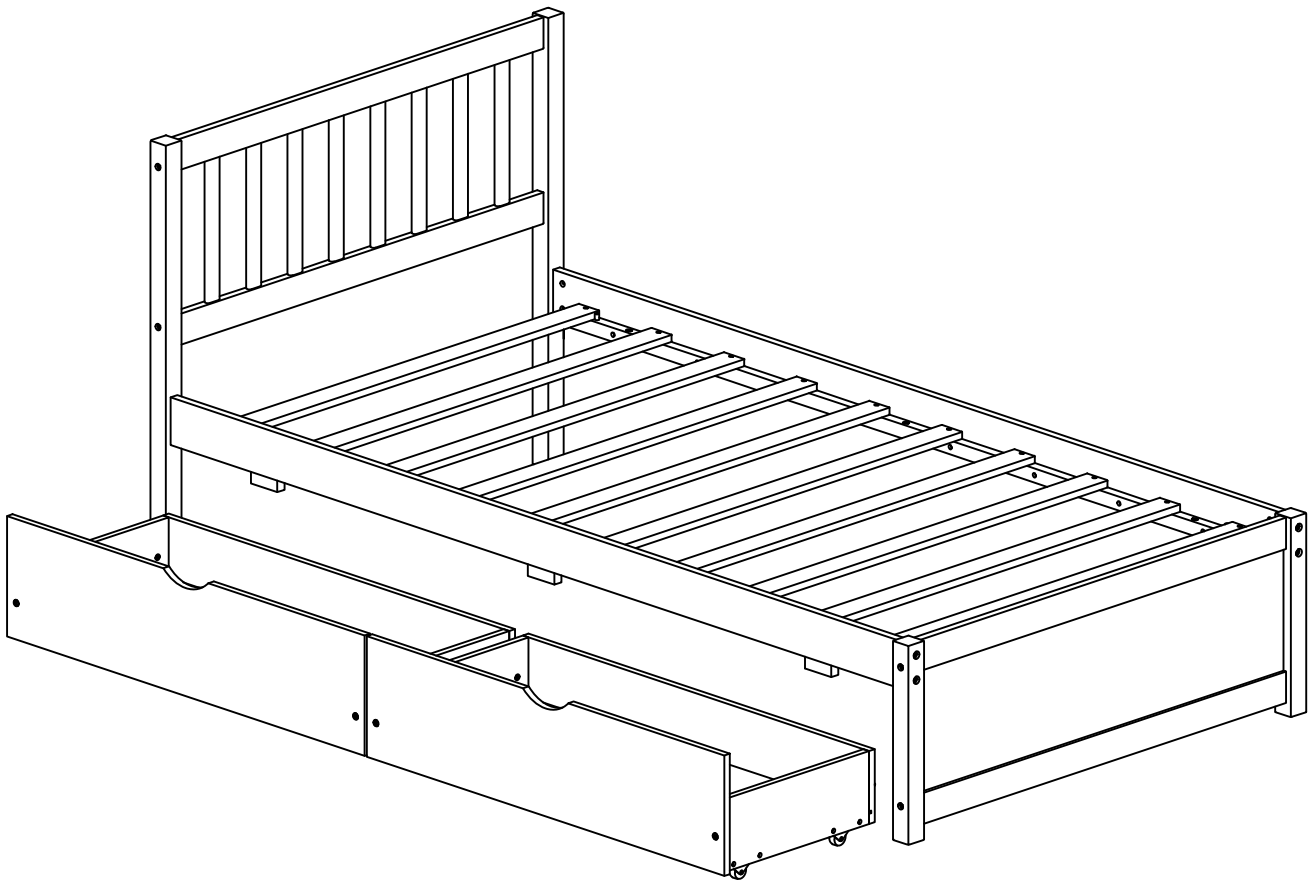


# ASSEMBLY INSTRUCTIONS

W697121849

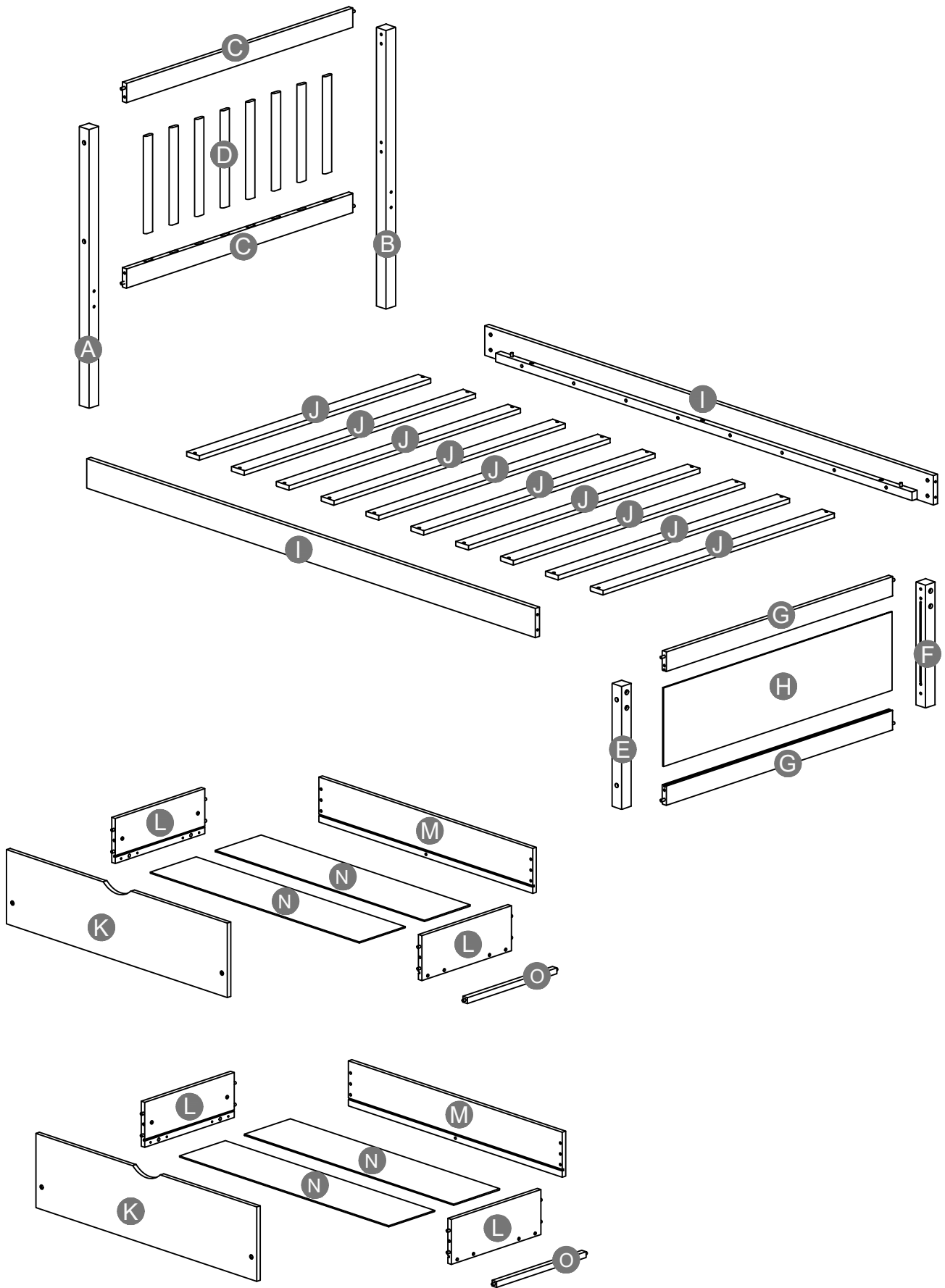
W697121850

W697121851

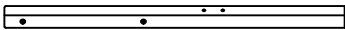
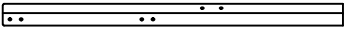
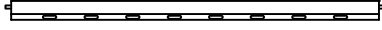
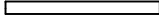
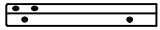
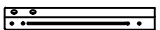
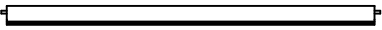


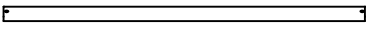

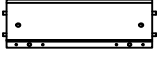
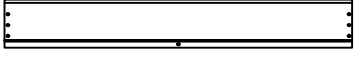
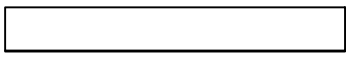



YX7103

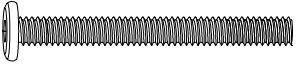

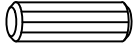

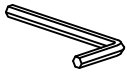


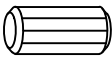

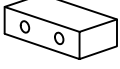
# Detail View



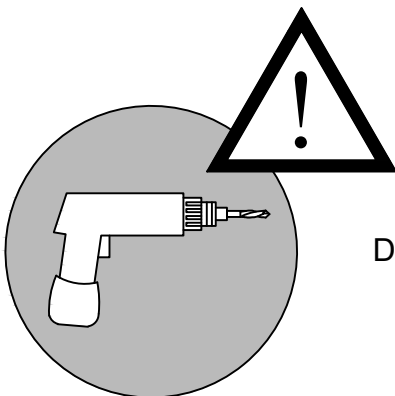
# Part List

<p><b>A</b></p>  <p>Headboard leg (Left)-1pc</p>	<p><b>B</b></p>  <p>Headboard leg (Right)-1pc</p>	<p><b>C</b></p>  <p>Horizontal bar HB-2pcs</p>
<p><b>D</b></p>  <p>Vertical bar HB-8pcs</p>	<p><b>E</b></p>  <p>Footboard leg (Left)-1pc</p>	<p><b>F</b></p>  <p>Footboard leg (Right)-1pc</p>
<p><b>G</b></p>  <p>Horizontal bar FB-2pcs</p>	<p><b>H</b></p>  <p>Footboard panel-1pc</p>	<p><b>I</b></p>  <p>Side rail-2pcs</p>
<p><b>J</b></p>  <p>Slat-10pcs</p>	<p><b>K</b></p>  <p>Front panel of drawer - 2pcs</p>	<p><b>L</b></p>  <p>Side panel of drawer - 4pcs</p>
<p><b>M</b></p>  <p>Back panel of drawer - 2pcs</p>	<p><b>N</b></p>  <p>Bottom panel of drawer-4pcs</p>	<p><b>O</b></p>  <p>Crossprece-2pcs</p>

# Hardware List

<b>1</b>  (Spare Hardware-2pcs) (Ø12)1/4"*70mm	<b>2</b>  (Spare Hardware-2pcs) 1/4"*15mm	<b>3</b>  Ø8*25mm
Hex-Head bolts (18pcs)      Horizontal-Hole bolts(18pcs)      Wood dowel (7pcs)		
<b>4</b>  (Spare Hardware-4pc) Ø4*25mm	<b>5</b>  (1/4")4*60mm	<b>6</b>  (Spare Hardware-1pc) (Ø12)1/4"*55mm
Wood screws (40 pcs)      Allen key (1pc)      Hex-Head bolts (12pcs)		
<b>7</b>  (Spare Hardware-1pc) 1/4"*12mm	<b>8</b>  (Spare Hardware-1pc) Ø10*20mm	<b>9</b>  100*53*19mm
Horizontal-Hole bolts(9pcs)      Wood dowel (9pcs)      Wheels (8pcs)		
<b>10</b>  70*38*19mm Stopper (3pcs)		

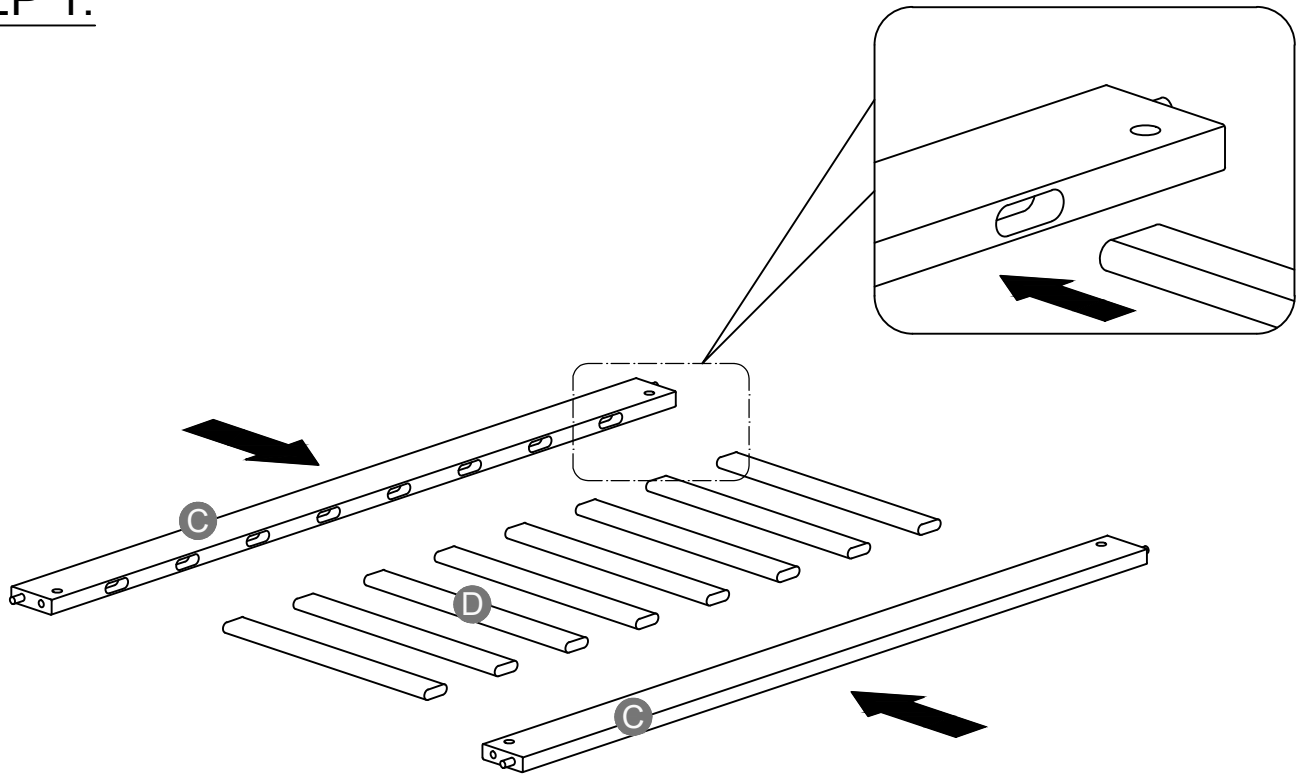
## ASSEMBLY TOOLS REQUIRED ( NOT INCLUDED )





DO NOT USE POWER TOOLS TO ASSEMBLE THIS PRODUCT !

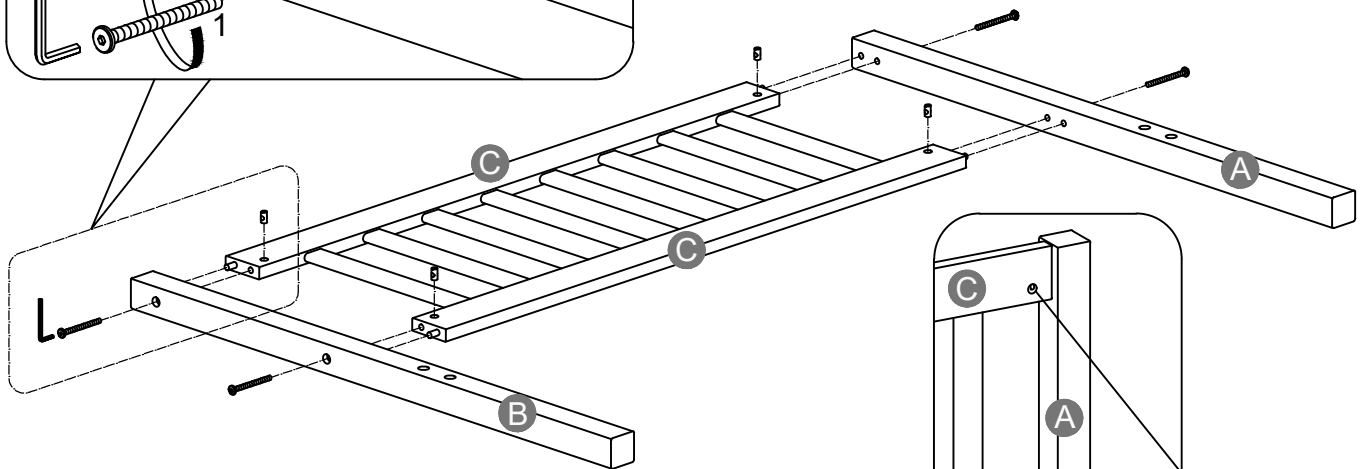
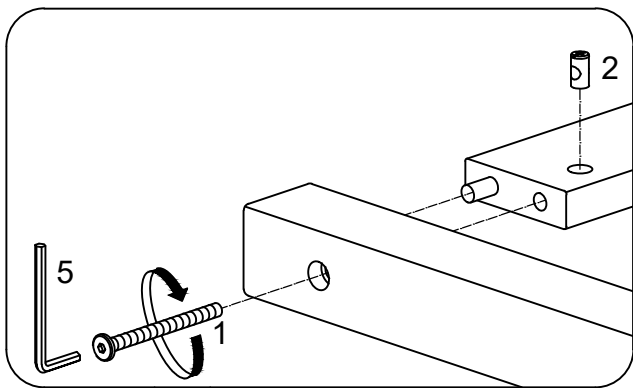
**Remark: We recommend you assemble your bed in the flat ground.**

**STEP 1:**

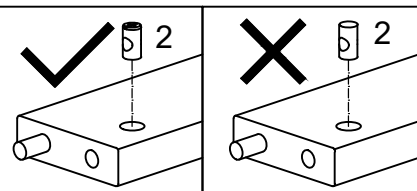


**STEP 2:**

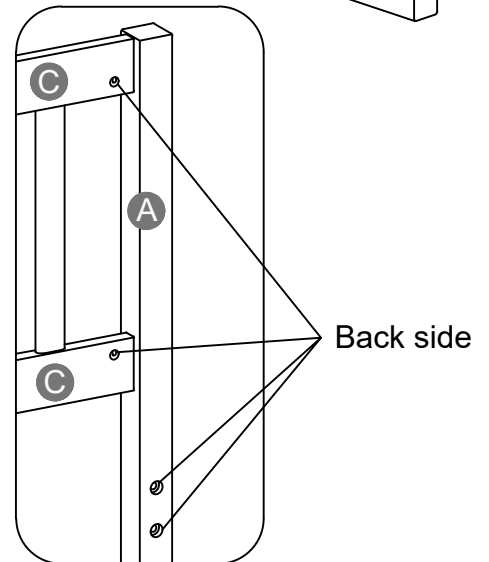
<b>1</b>	<b>2</b>
 (Ø12)1/4"*70mm	
4pcs	4pcs



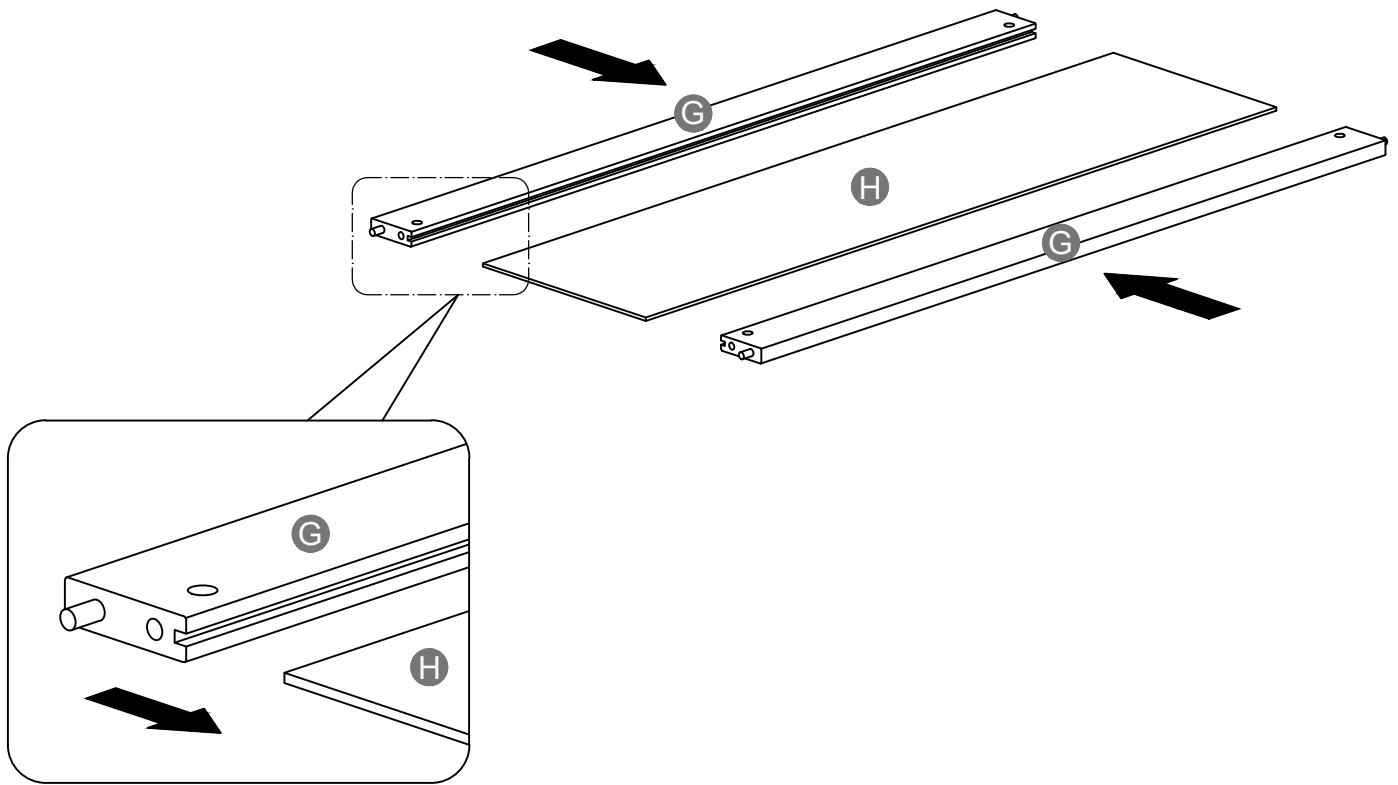
Note: Part 2 will face up with the "x" mark on it, otherwise it cannot be tightened



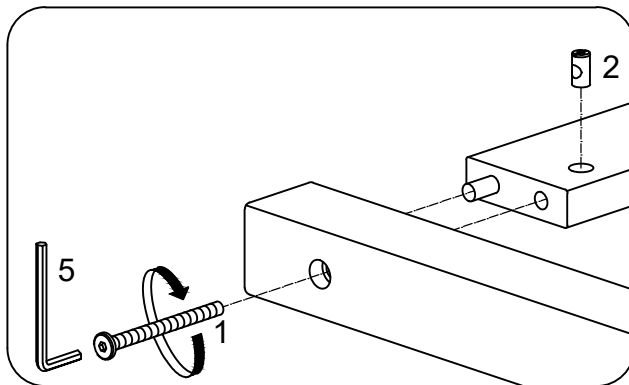
Make sure bars A,B,C are connected together on the same side (front-front, back-back)





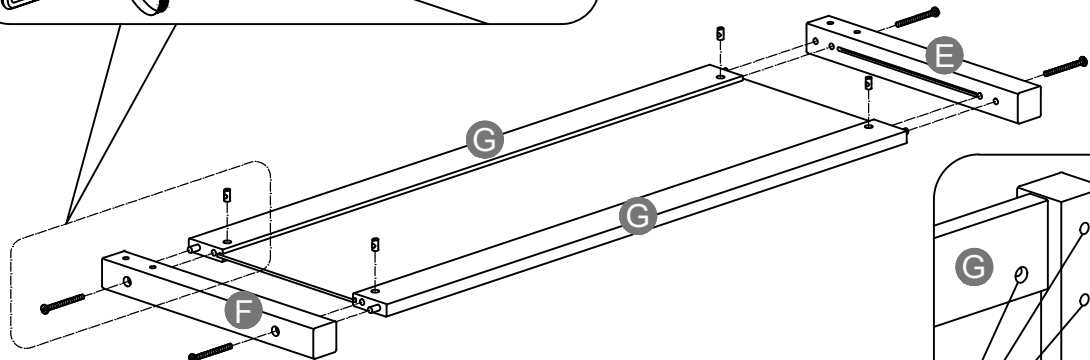
### STEP 3:



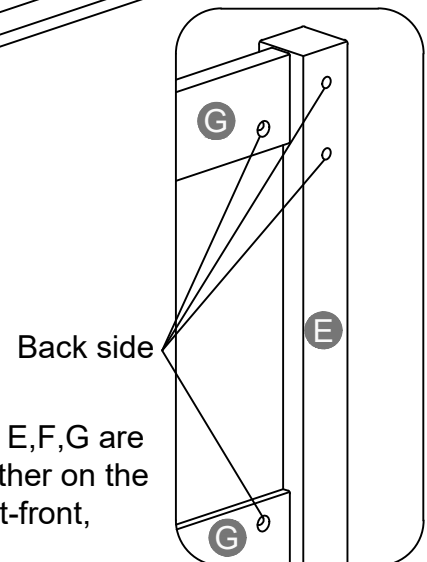
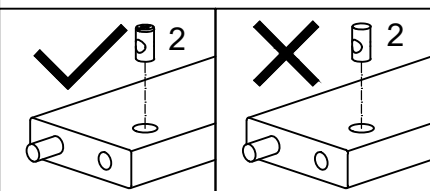
### STEP 4:



<b>1</b>	<b>2</b>
 (Ø12)1/4"*70mm	
4pcs	4pcs

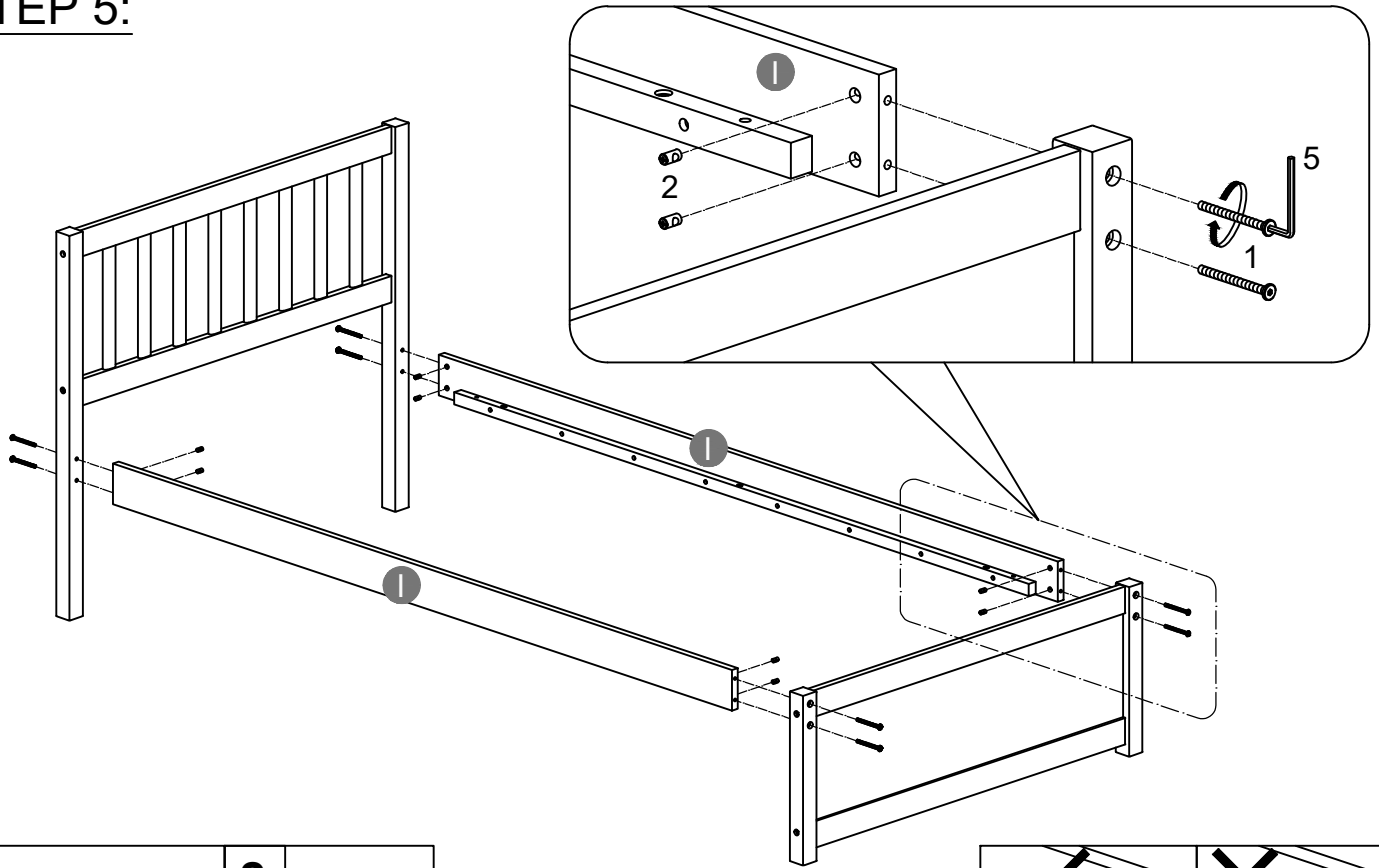


Note: Part 2 will face up with the "x" mark on it, otherwise it cannot be tightened



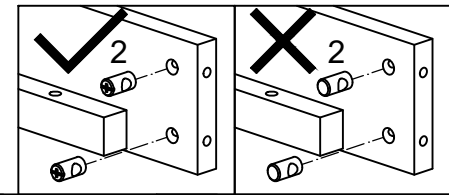
Make sure bars E,F,G are connected together on the same side (front-front, back-back)

## STEP 5:

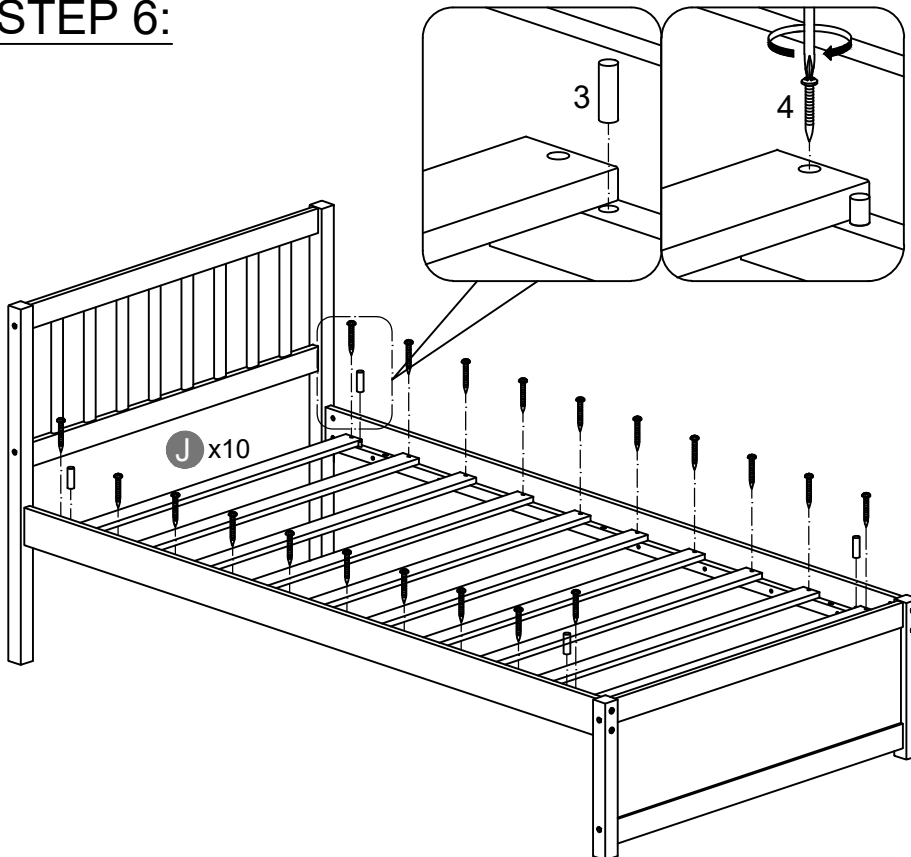


<p><b>1</b></p> <p>(Ø12)1/4"*70mm</p> <p>8pcs</p>	<p><b>2</b></p> <p>8pcs</p>
---------------------------------------------------	-----------------------------

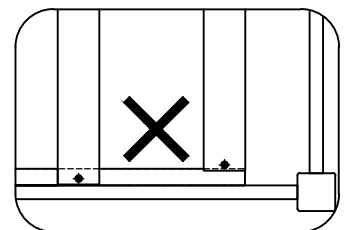
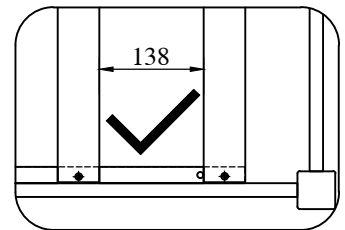
Note: Part 2 will face up with the "x" mark on it, otherwise it cannot be tightened



## STEP 6:



<p><b>3</b></p> <p>4pcs</p>	<p><b>4</b></p> <p>20 pcs</p>
-----------------------------	-------------------------------



Note: Do not lock the screws of the bed slats to the outermost edge of the bed slats, you need to leave a certain space at the edges, otherwise it will cause the board to break. Do not lock the bed slats on the edge of the wood, please hold firmly before screwing, hold it in place with one hand, then lock the screw.

# STEP 7:

6

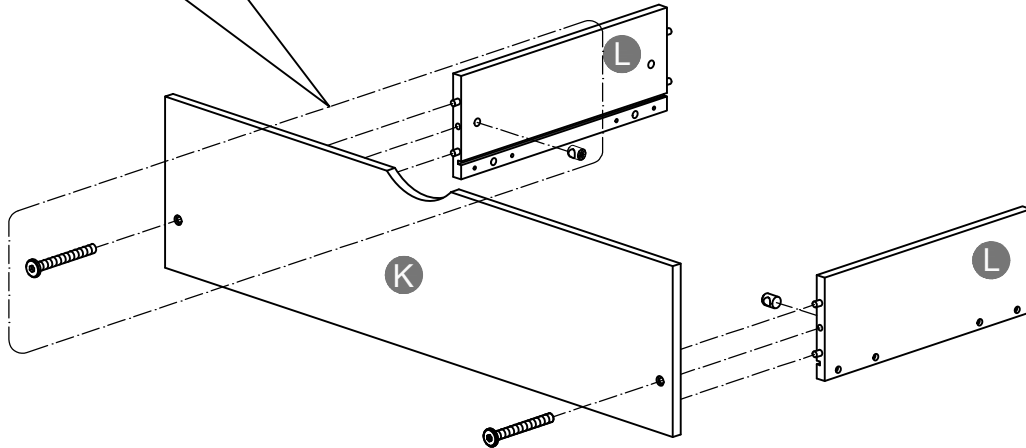
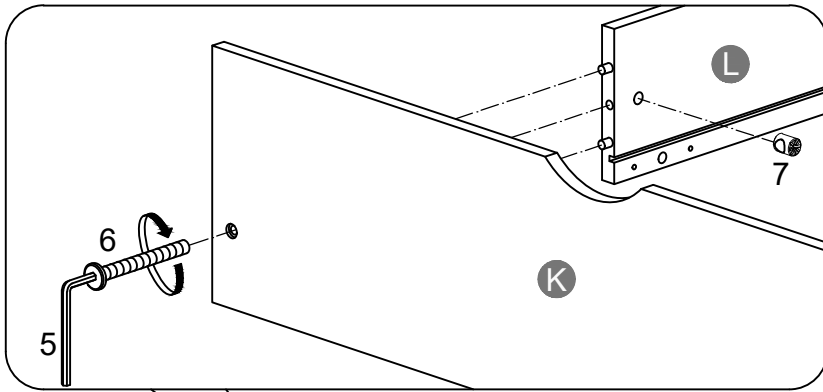
(Ø12)1/4"\*55mm

4pcs

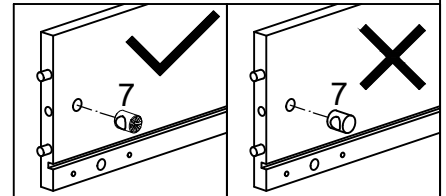
7



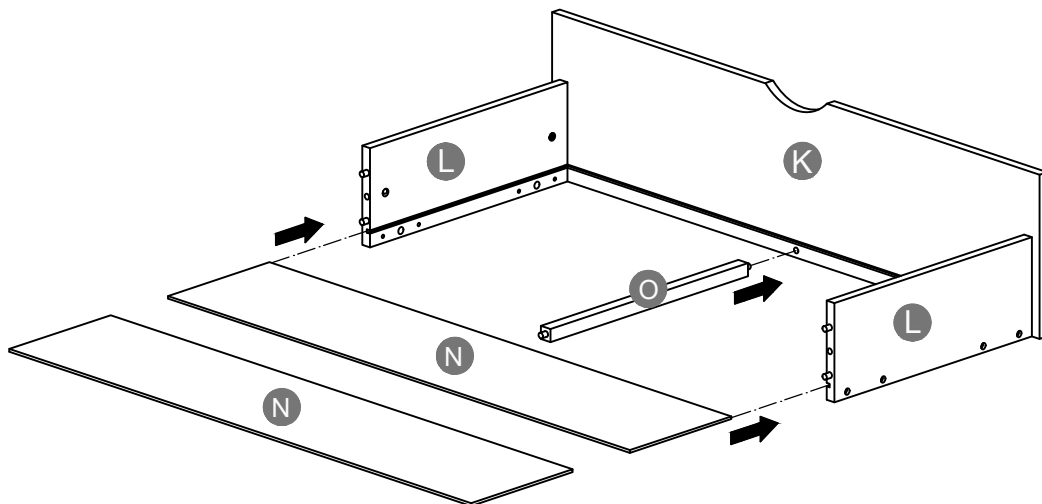
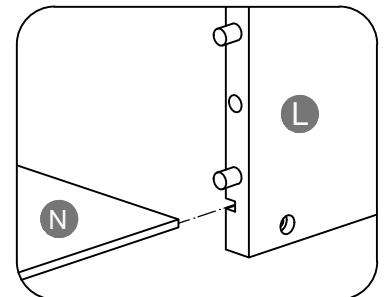
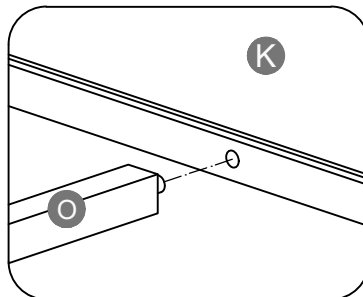
4pcs



Note: Part 7 will face up with the "\*" mark on it, otherwise it cannot be tightened

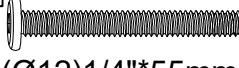



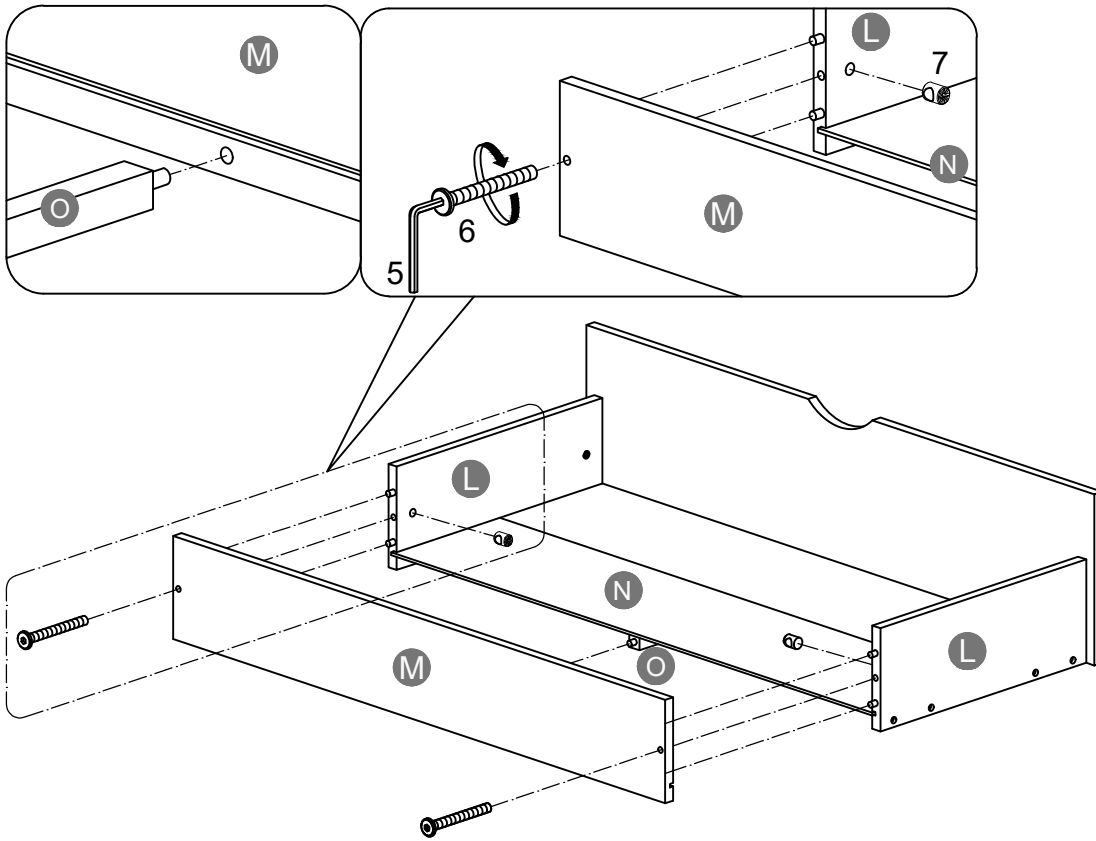
# STEP 8:



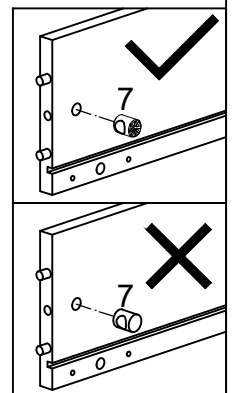


# STEP 9:

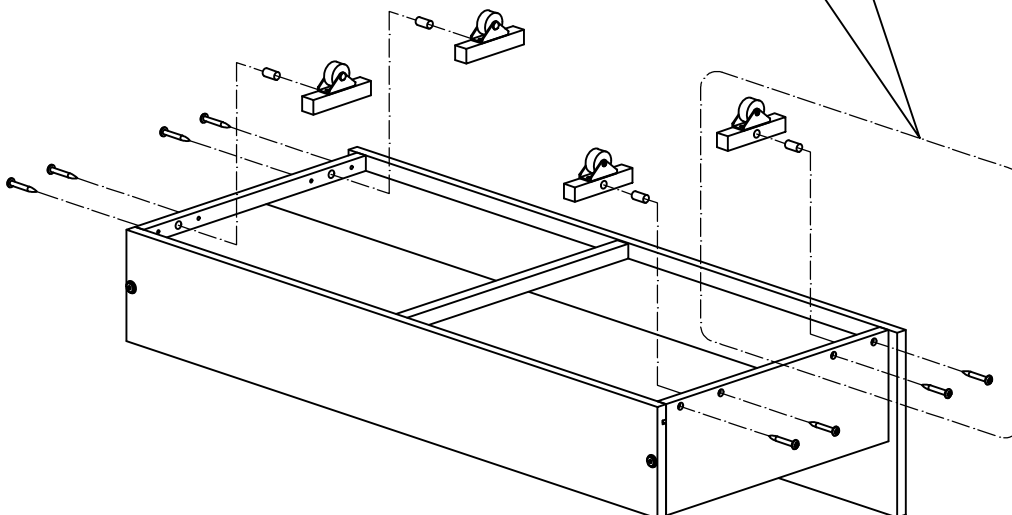
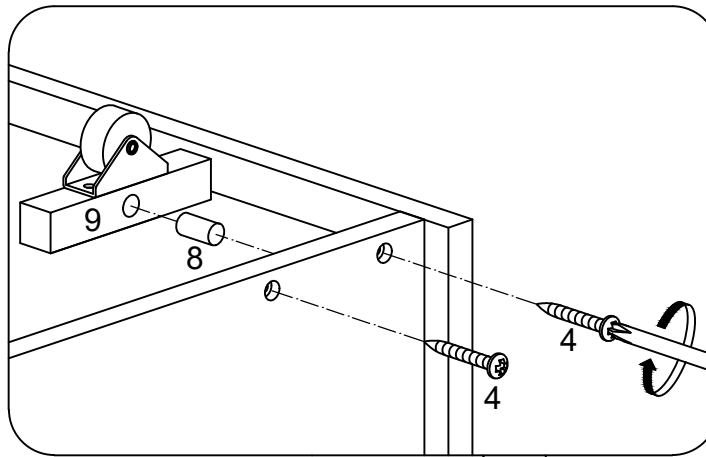
<b>6</b>	 (Ø12)1/4"*55mm	<b>7</b>	
	4pcs		4pcs


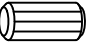
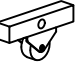


Note: Part 7 will face up with the "\*" mark on it, otherwise it cannot be tightened


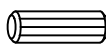



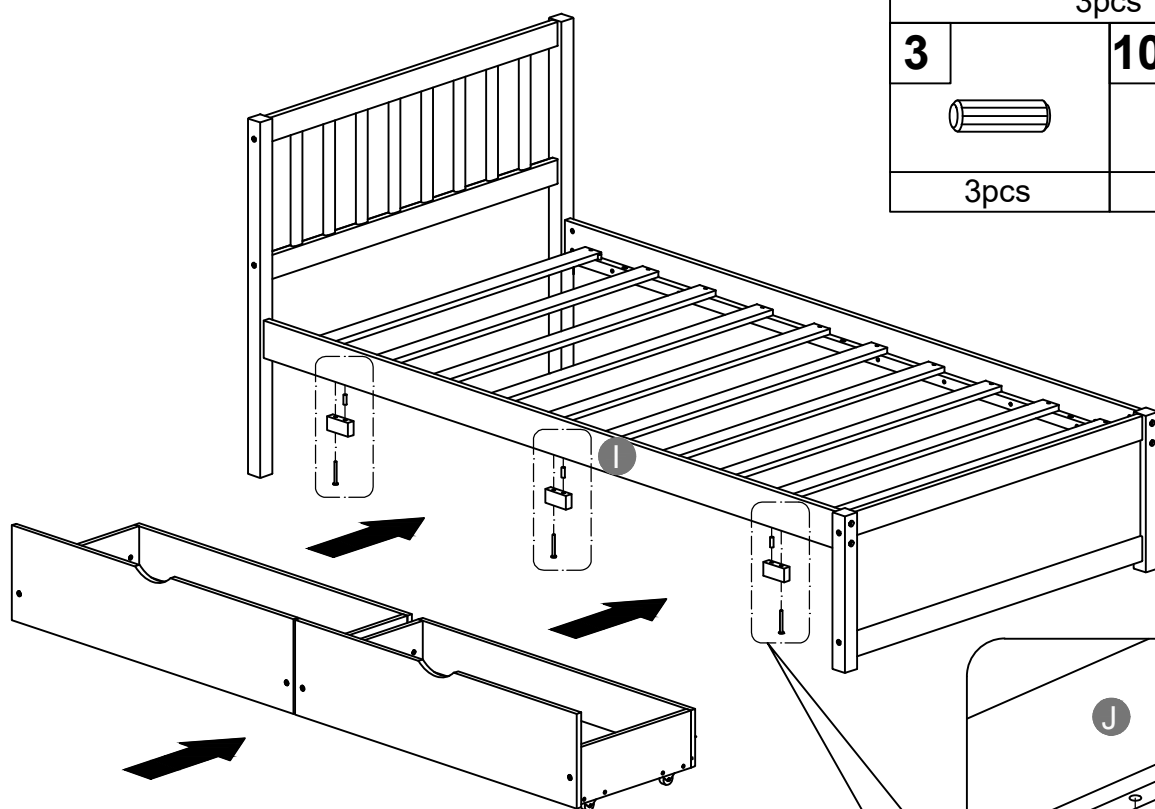
# STEP 10:



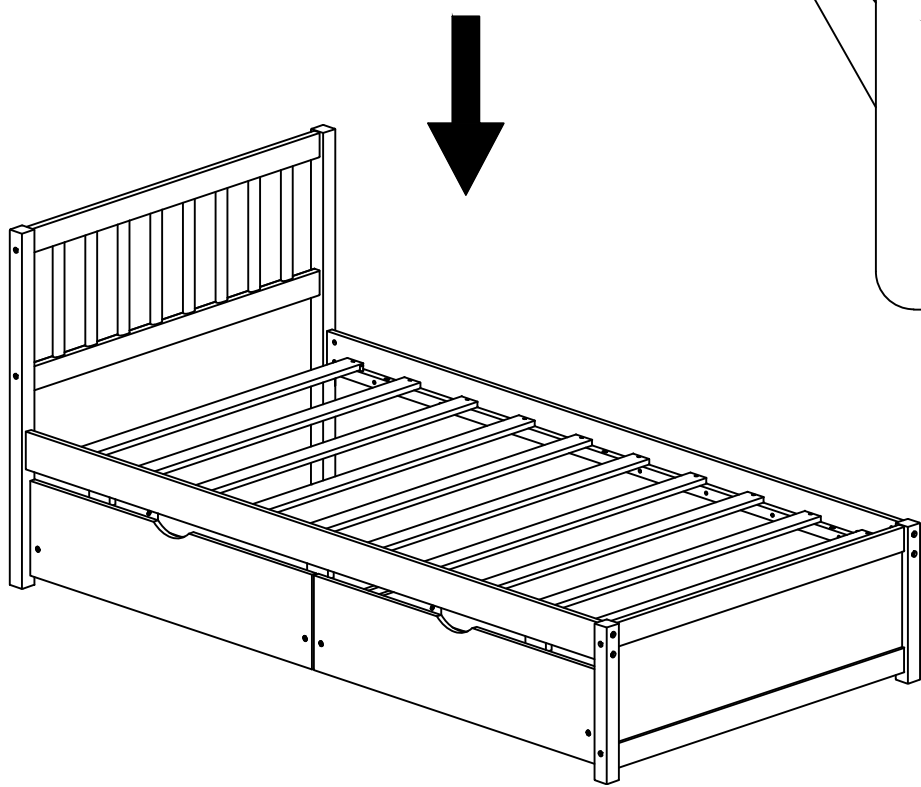
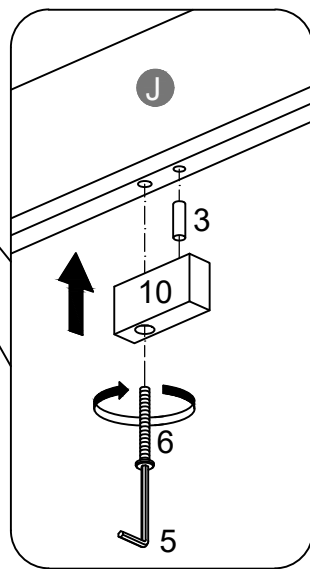
<b>4</b>	
	16 pcs
<b>8</b>	
	8pcs
<b>9</b>	
	8pcs

# STEP 11:

<b>6</b>	 (Ø12)1/4"*55mm
3pcs	
<b>3</b>	
3pcs	
<b>10</b>	
3pcs	



Push Drawers under the bottom of Bed.



**Make sure to tighten all the screws of the bed.**