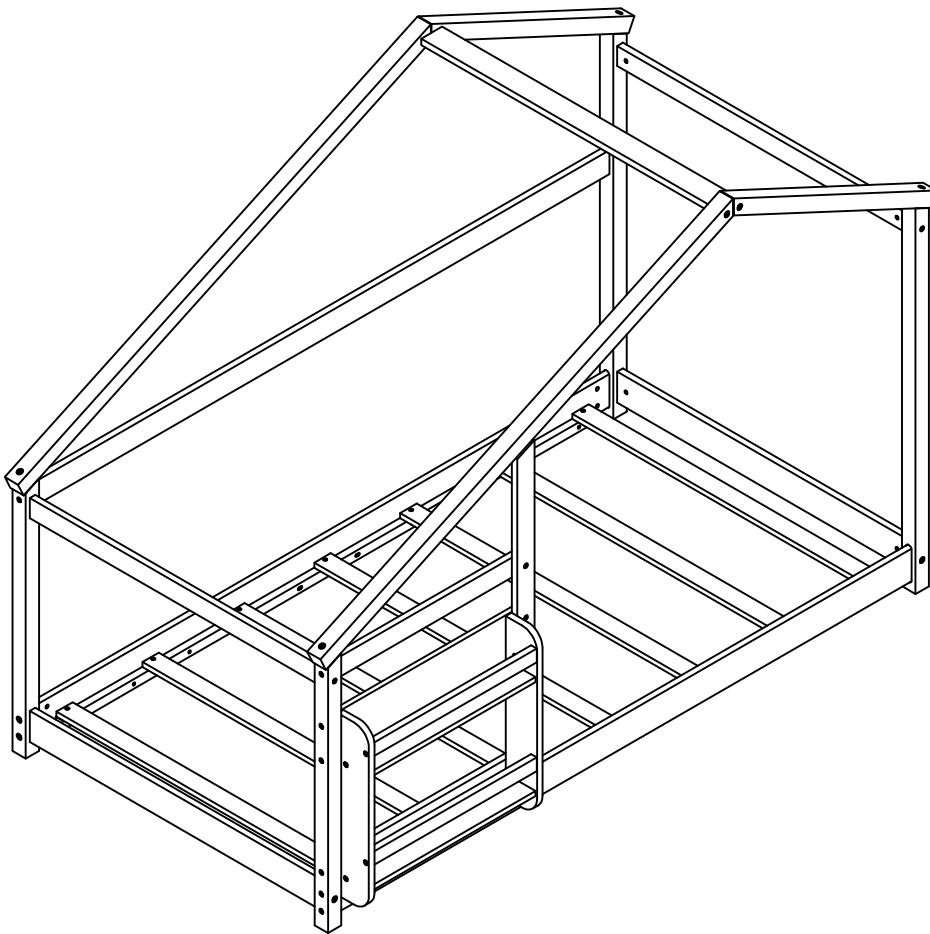


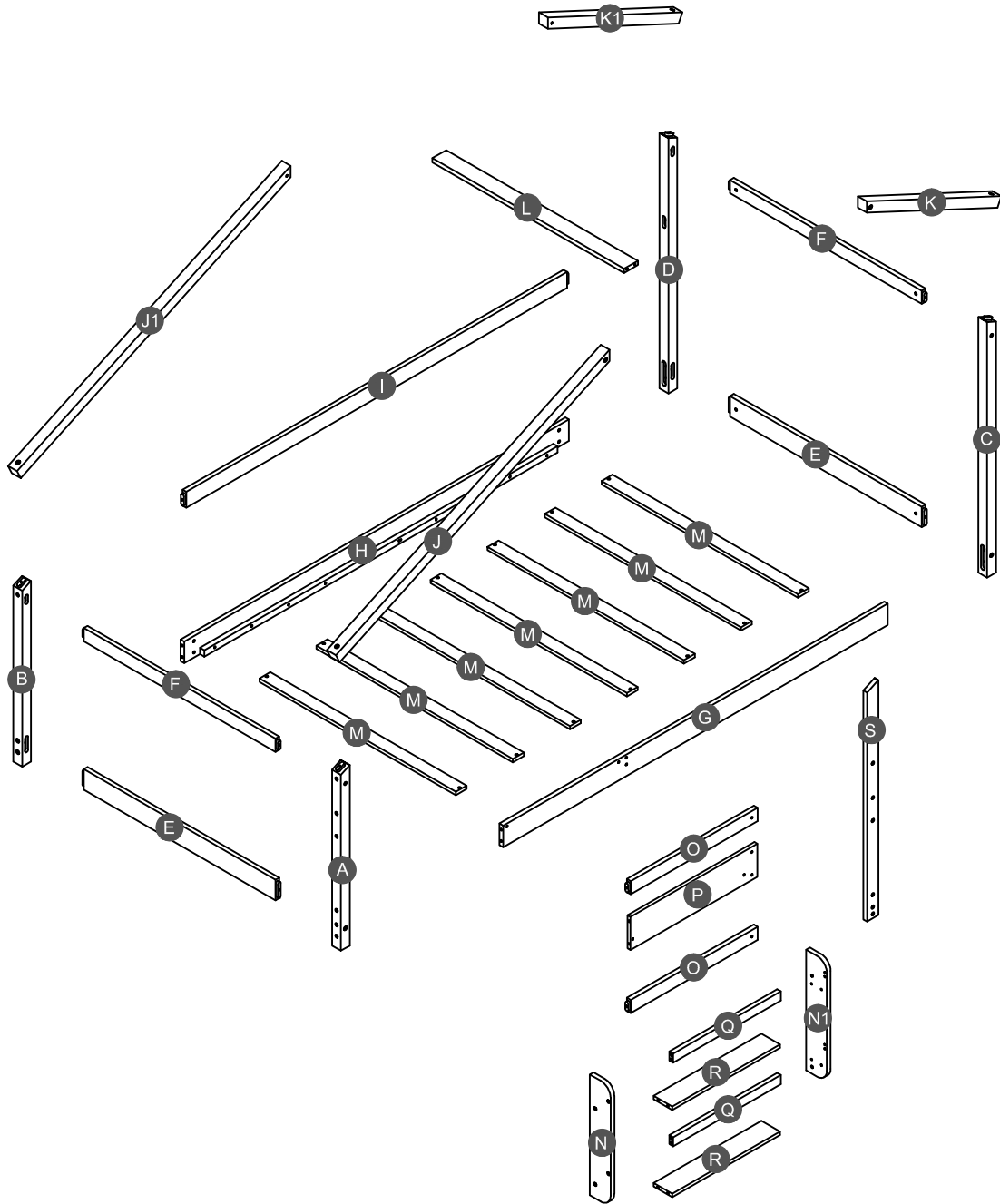
# ASSEMBLY INSTRUCTIONS

## HOUSE TWIN BED

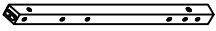
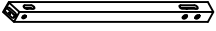
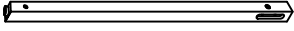
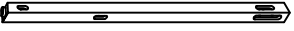
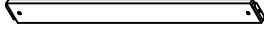
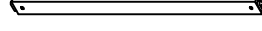
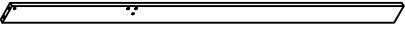

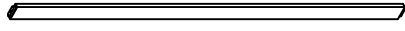
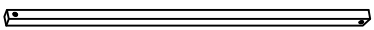
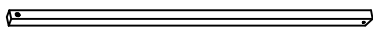
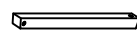
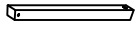
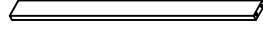
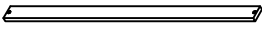

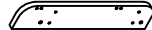
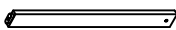
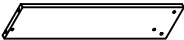
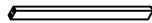
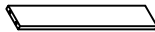



**YX5526**  
**(W69782586-W69782587)**

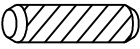
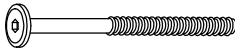
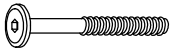
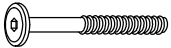





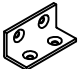

# Detail View



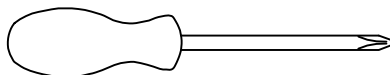
# Part List

<p><b>A</b></p>  <p>Leg (left-front)-1pc</p>	<p><b>B</b></p>  <p>Leg (left-back)-1pc</p>	<p><b>C</b></p>  <p>Leg (right-front)-1pc</p>
<p><b>D</b></p>  <p>Leg (right-back)-1pc</p>	<p><b>E</b></p>  <p>Lower horizontal bar HB/FB - 2pcs</p>	<p><b>F</b></p>  <p>Upper horizontal bar HB/FB - 2pcs</p>
<p><b>G</b></p>  <p>Side rail (front) - 1pc</p>	<p><b>H</b></p>  <p>Side rail (back) - 1pc</p>	<p><b>I</b></p>  <p>Horizontal bar (back) - 1pc</p>
<p><b>J</b></p>  <p>Upper horizontal bar (left-front) - 1pc</p>	<p><b>J1</b></p>  <p>Upper horizontal bar (left-back) - 1pc</p>	<p><b>K</b></p>  <p>Upper horizontal bar (right-front) - 1pc</p>
<p><b>K1</b></p>  <p>Upper horizontal bar (right-back) - 1pc</p>	<p><b>L</b></p>  <p>Upper divider horizontal bar - 1pc</p>	<p><b>M</b></p>  <p>Slats - 7pcs</p>
<p><b>N</b></p>  <p>Side panel (left) - 1pc</p>	<p><b>N1</b></p>  <p>Side panel (right) - 1pc</p>	<p><b>O</b></p>  <p>Upper horizontal bar (back) - 2pcs</p>
<p><b>P</b></p>  <p>Back panel - 1pc</p>	<p><b>Q</b></p>  <p>Horizontal bar (front) - 2pcs</p>	<p><b>R</b></p>  <p>Shelf panel - 2pcs</p>
<p><b>S</b></p>  <p>Vertical bar support (front) - 1pc</p>		

## Hardware List

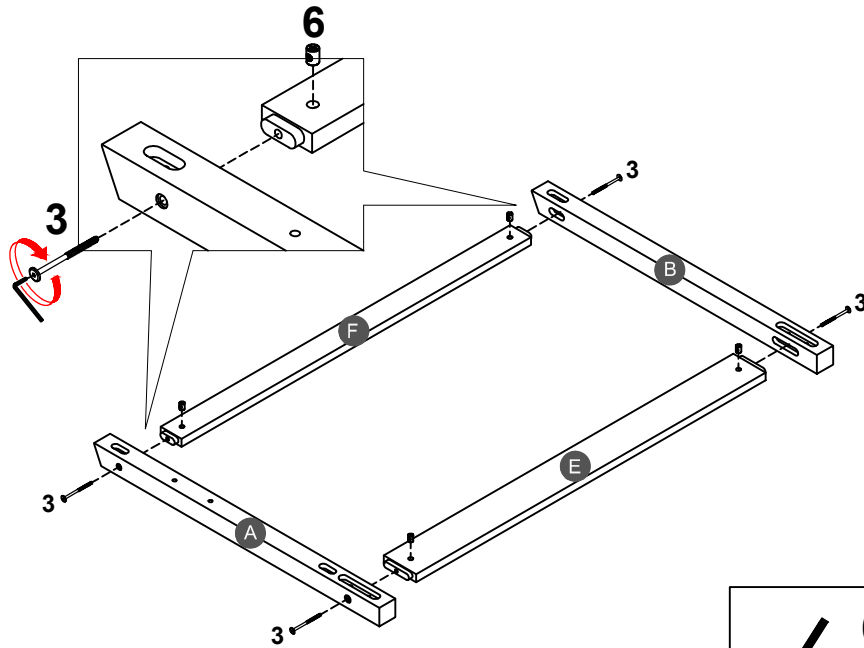
<b>1</b>  Ø8*30mm Wood dowel (8pcs)	<b>2</b>  (Ø15)1/4"*100mm Hex-Head bolts (10pcs)	<b>3</b>  (Ø15)1/4"*80mm Hex-Head bolts (16pcs)
<b>4</b>  (Ø12)1/4"*60mm Hex-Head bolts (12pcs)	<b>5</b>  (Ø12)1/4"*30mm Hex-Head bolts (6pcs)	<b>6</b>  1/4"*15 (9.5mm) Horizontal-Hole bolts(38pcs)
<b>7</b>  Ø4*30mm Wood screws (14pcs)	<b>8</b>  (Ø12)1/4"*65mm Hex-Head bolts (4pcs)	<b>9</b>  (1/4")4.5*58mm Allen key (1pc)
<b>10</b>  50*24*24*2mm Metal bracket (1pc)	<b>11</b>  Ø3.5*15mm Wood screws (4pcs)	

### ASSEMBLY TOOLS REQUIRED ( NOT INCLUDED )



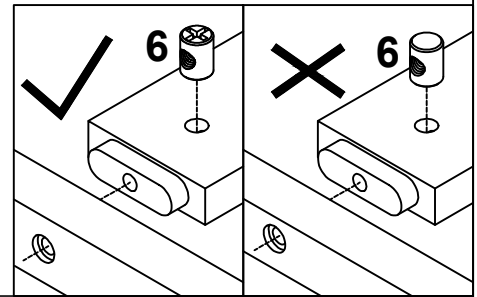
PLEASE BE CAREFUL DO NOT DAMAGE THE HOLE POSITION WHEN YOU USE POWER TOOLS !

**STEP 1:**

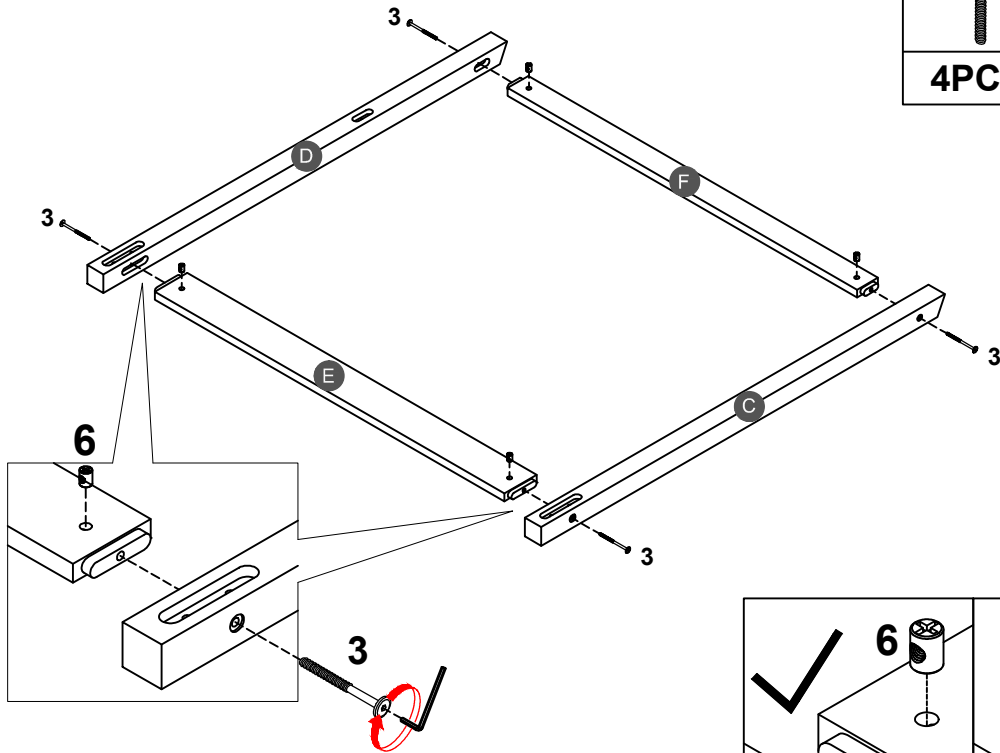


<b>3</b>		<b>6</b>	
<b>4PCS</b>		<b>4PCS</b>	

Note: Part 6 will face up with the "x" mark on it, otherwise it cannot be tightened

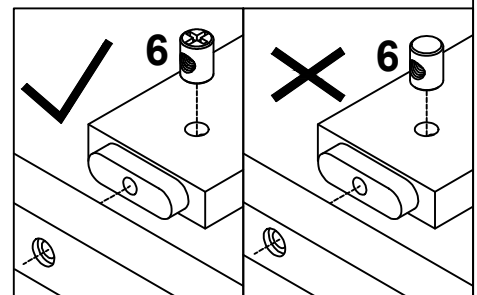


**STEP 2:**

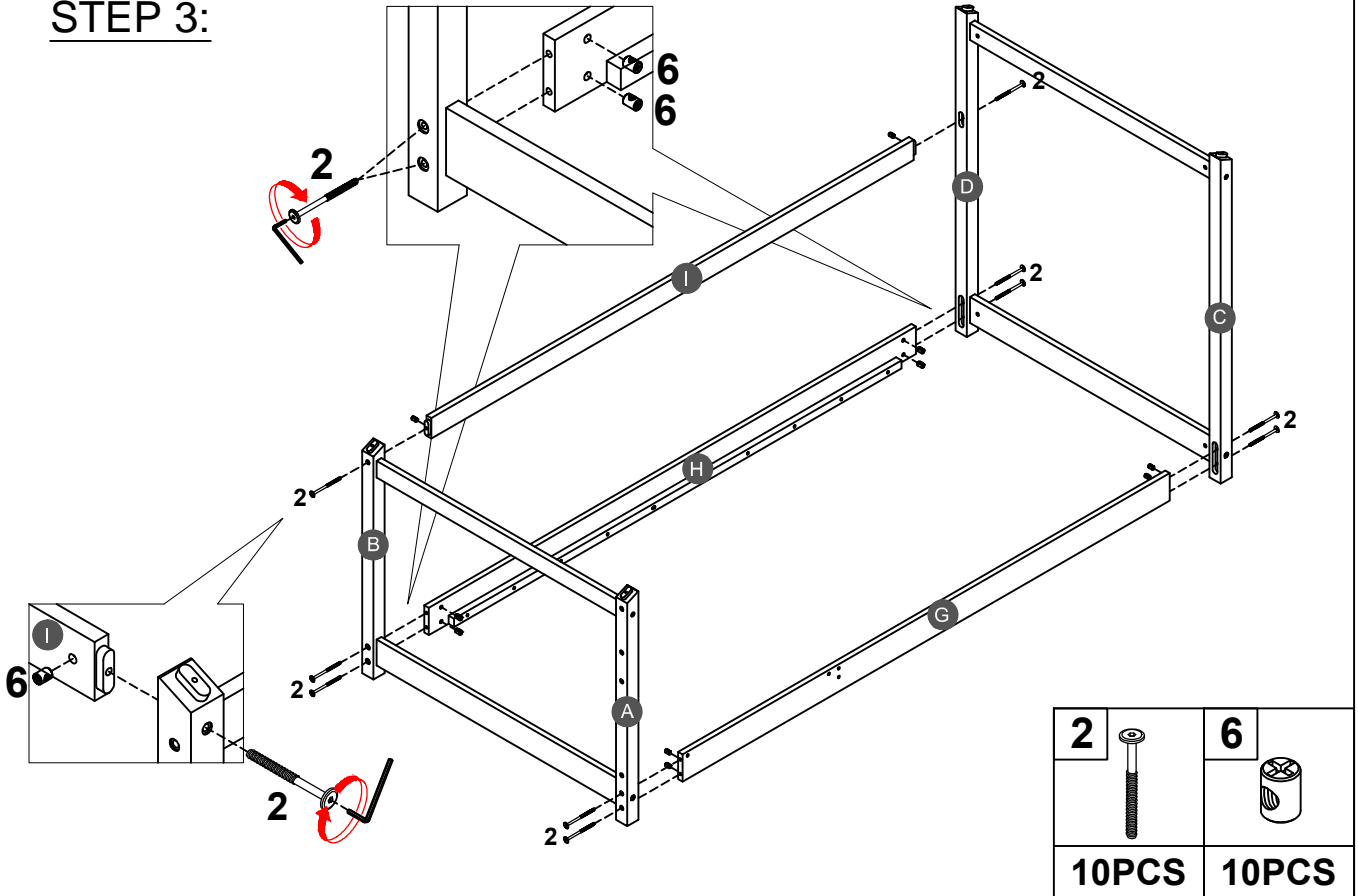




<b>3</b>		<b>6</b>	
<b>4PCS</b>		<b>4PCS</b>	

Note: Part 6 will face up with the "x" mark on it, otherwise it cannot be tightened

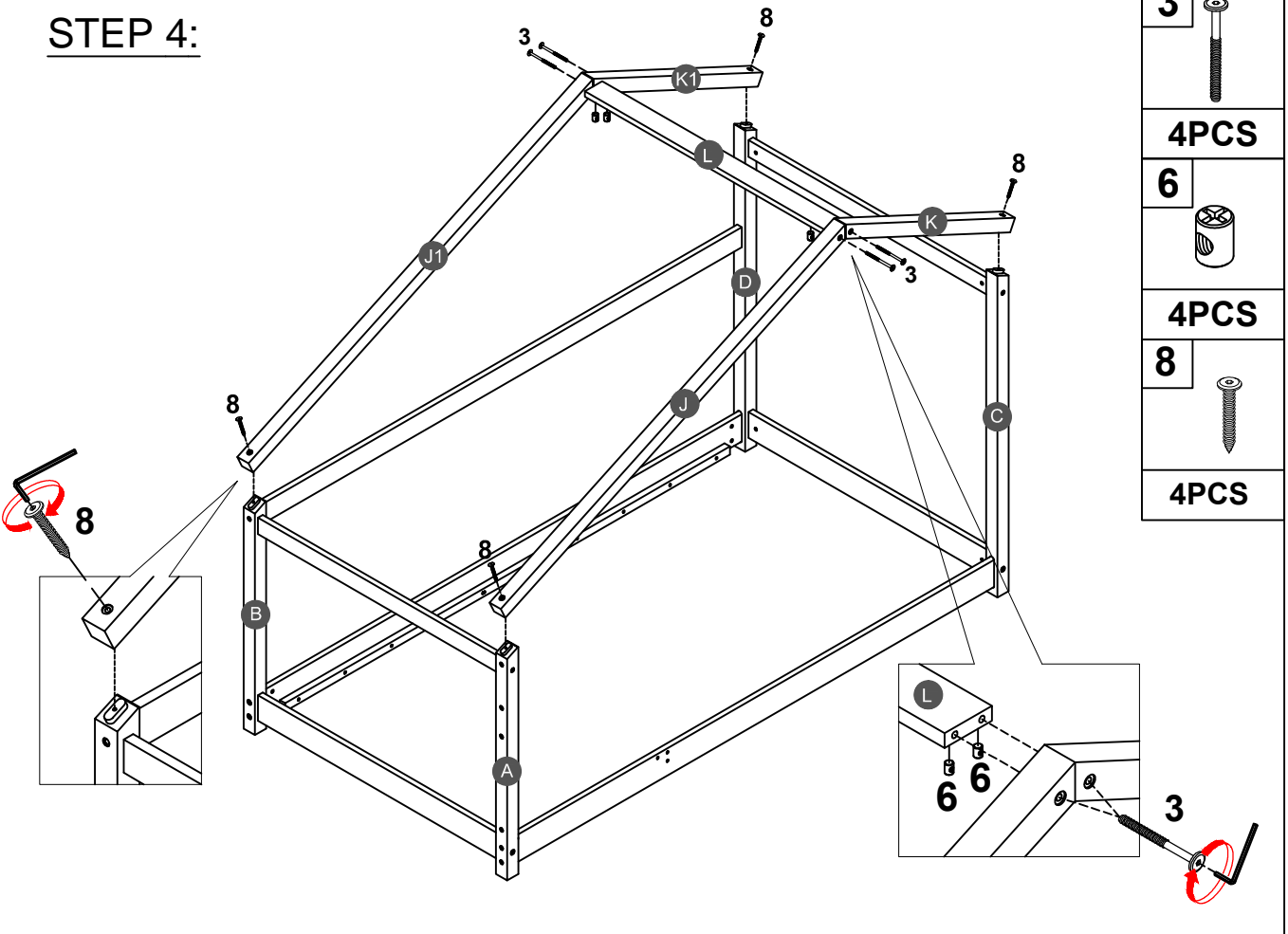





**STEP 3:**



<b>2</b>	<b>6</b>
	
<b>10PCS</b>	<b>10PCS</b>

**STEP 4:**



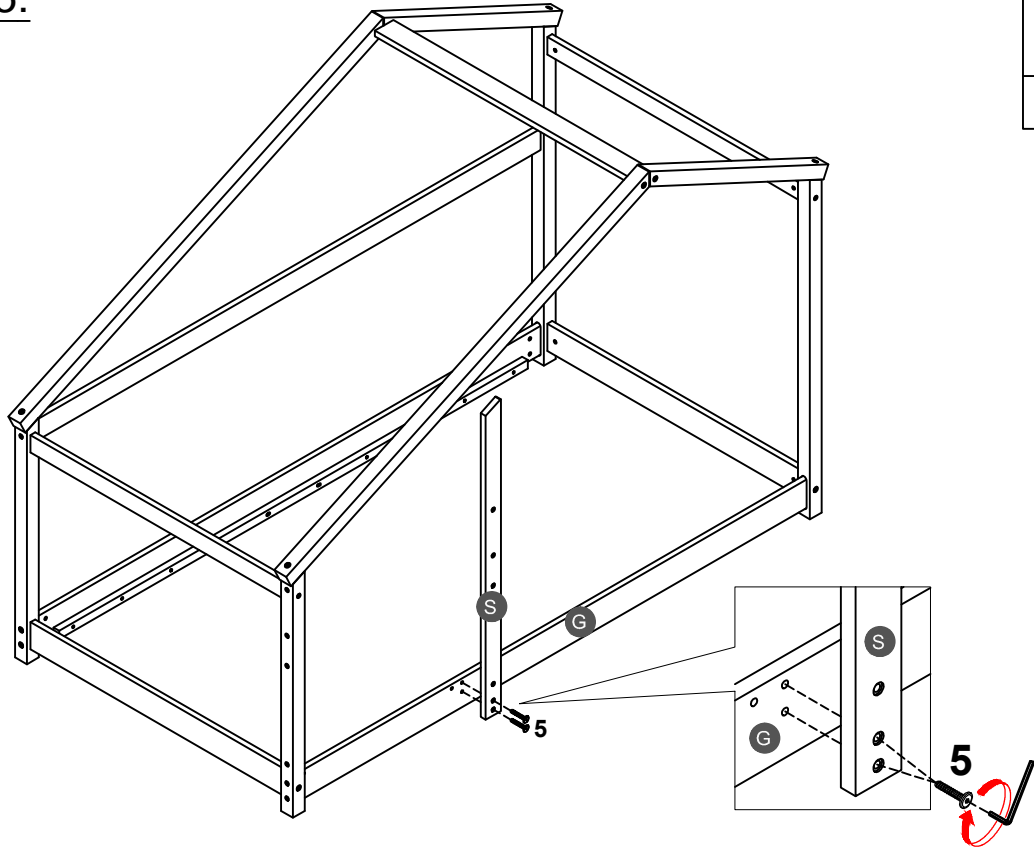
<b>3</b>	<b>4PCS</b>
	
<b>6</b>	<b>4PCS</b>
	
<b>8</b>	<b>4PCS</b>
	

**STEP 5:**

**5**



**2PCS**



**STEP 6:**

**10**

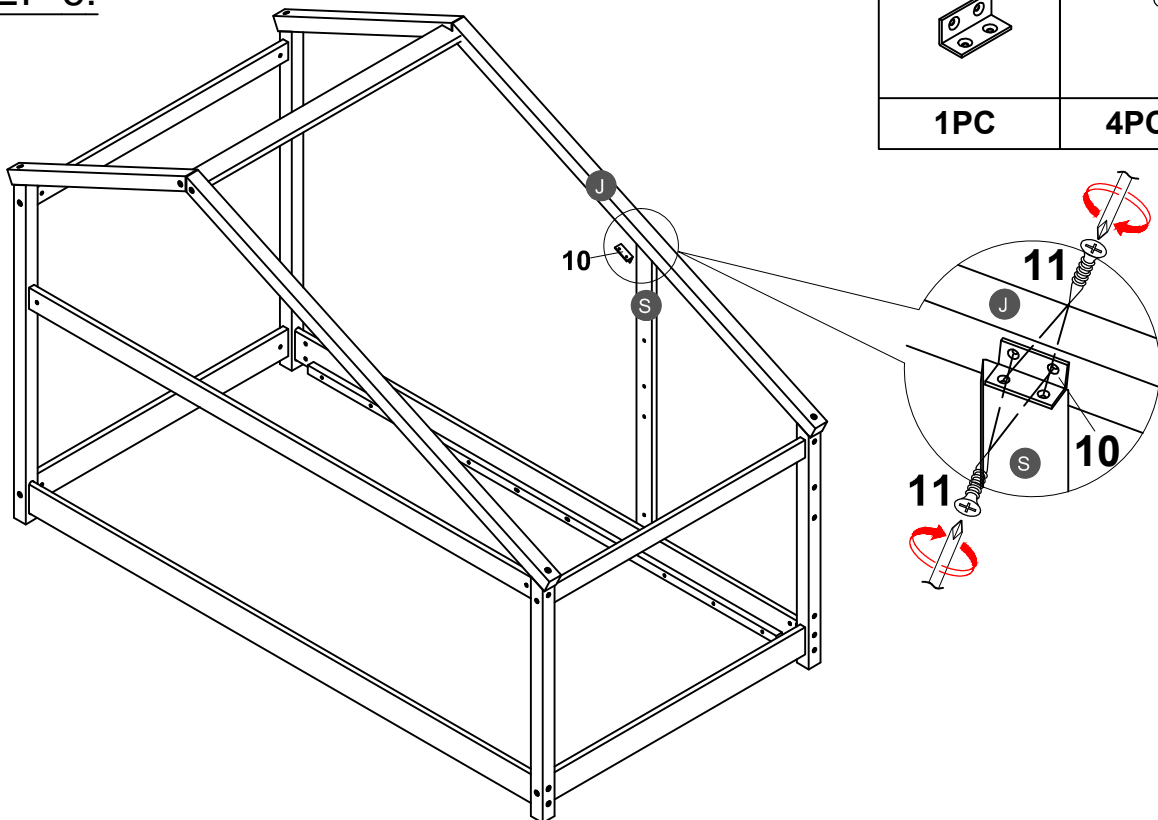


**1PC**

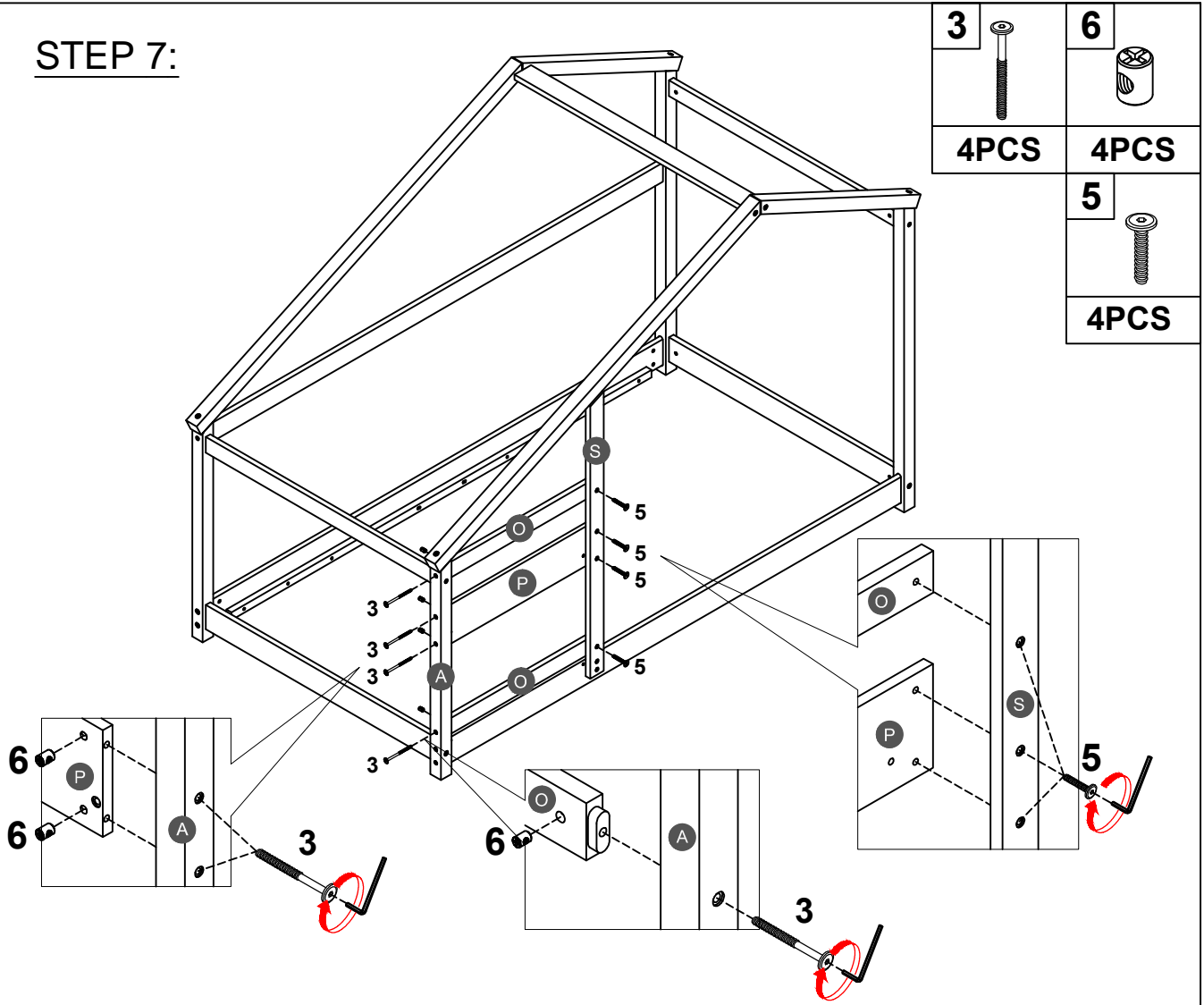
**11**



**4PCS**

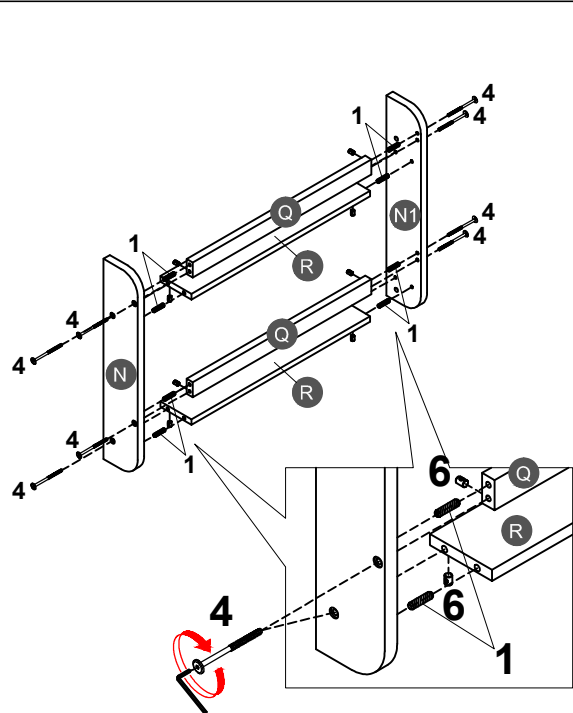


**STEP 7:**



<b>3</b>		<b>6</b>	
<b>4PCS</b>		<b>4PCS</b>	
		<b>5</b>	
		<b>4PCS</b>	

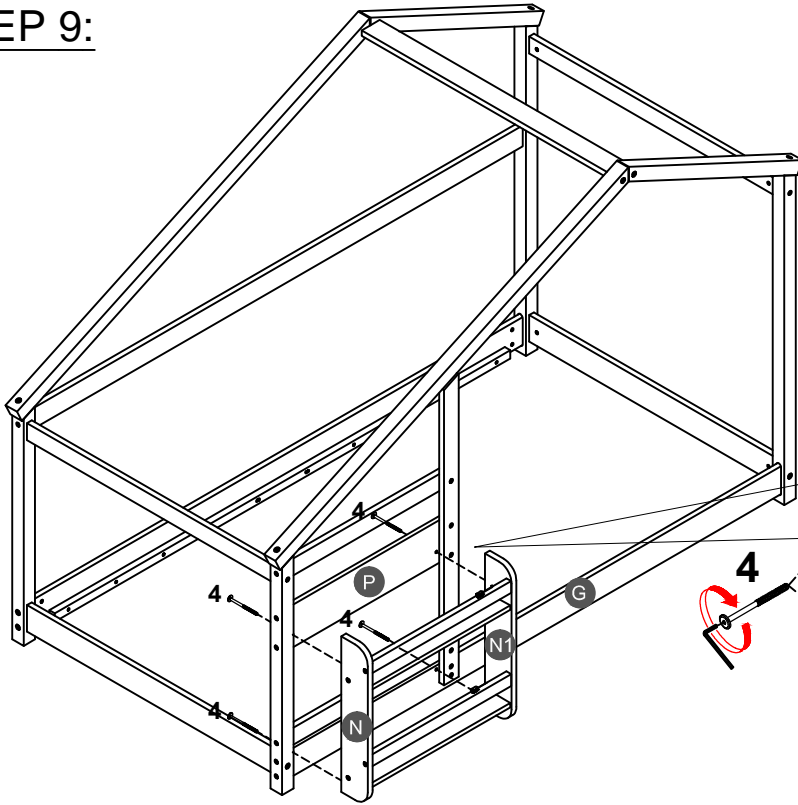
**STEP 8:**



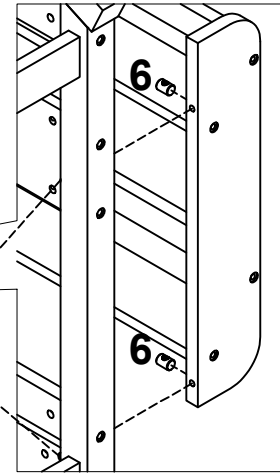
<b>1</b>		<b>4</b>	
<b>8PCS</b>		<b>8PCS</b>	
		<b>6</b>	
		<b>8PCS</b>	



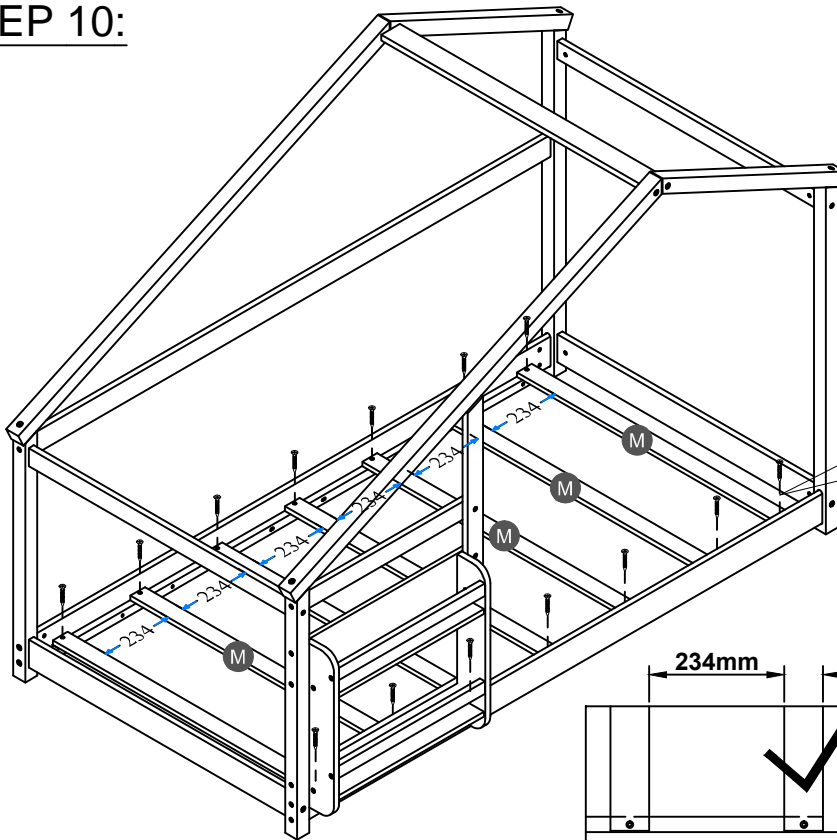
**STEP 9:**



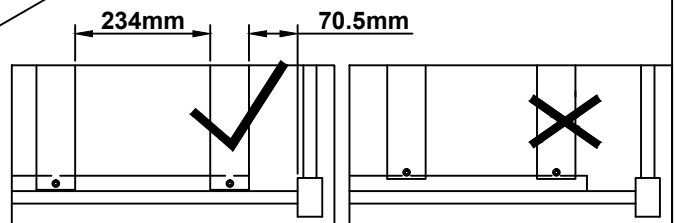
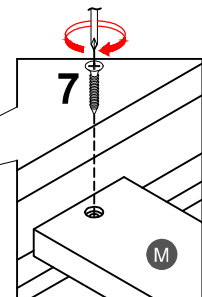
<b>4</b>		<b>6</b>	
<b>4PCS</b>		<b>4PCS</b>	



**STEP 10:**



<b>7</b>	
<b>14PCS</b>	



Note: Do not lock the screws of the bed slats to the outermost edge of the bed slats, you need to leave a certain space at the edges, otherwise it will cause the board to break. Do not lock the bed slats on the edge of the wood, please hold firmly before screwing , hold it in place with one hand, then lock the screw.