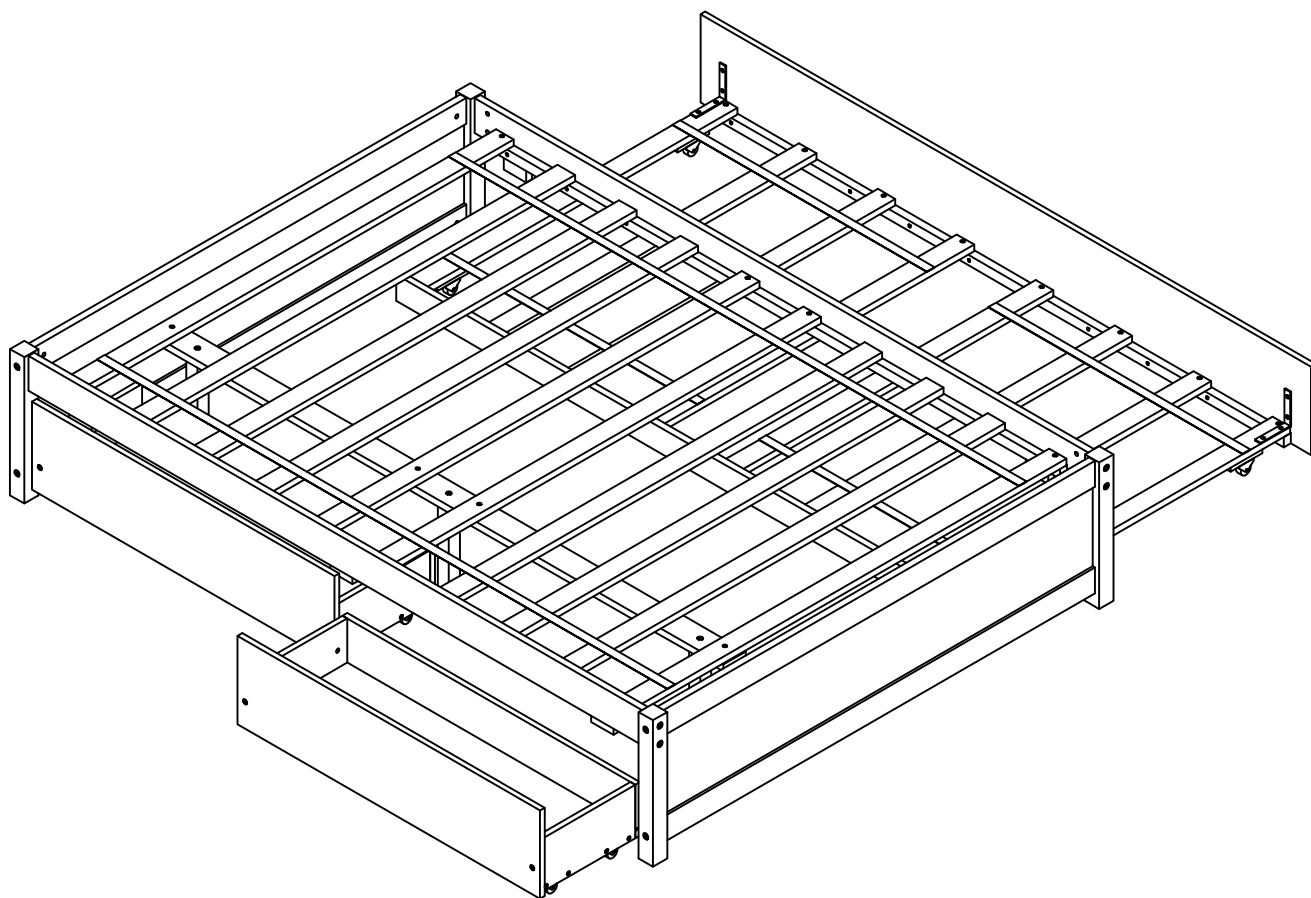


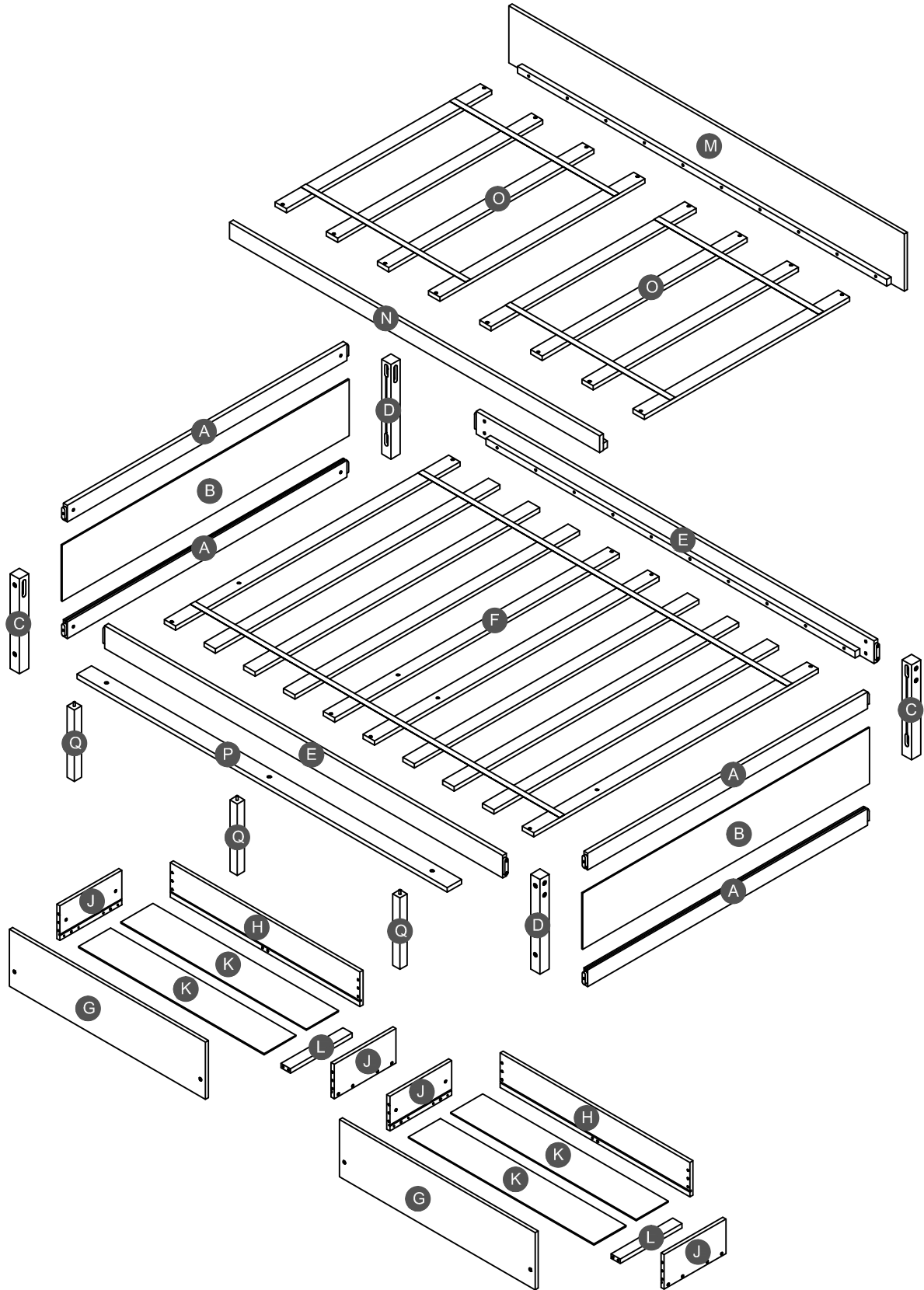
# ASSEMBLY INSTRUCTIONS

FULL BED WITH TWIN TRUNDLE AND 2 DRAWERS

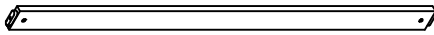
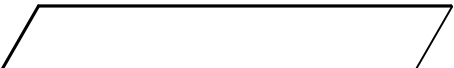

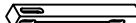

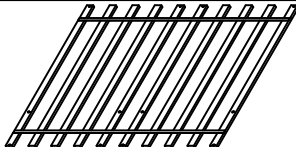
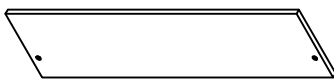

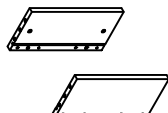
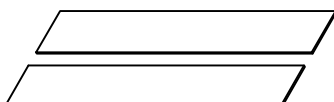
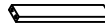
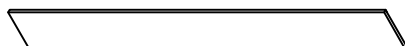
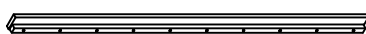
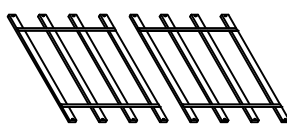

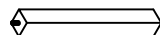


**YX5504**


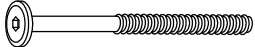
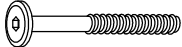
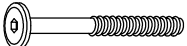


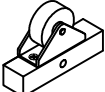
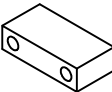



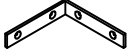
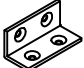

# Detail View



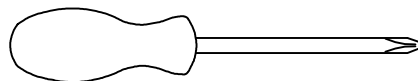
# Part List

<p><b>A</b></p>  <p>HB/FB horizontal - 4pcs</p>	<p><b>B</b></p>  <p>HB/FB side panel - 2pcs</p>	<p><b>C</b></p>  <p>Leg (Left front&amp;Right back) - 2pcs</p>
<p><b>D</b></p>  <p>Leg (Left back&amp;Right front) - 2pcs</p>	<p><b>E</b></p>  <p>Side rail (Front &amp; back) - 2pcs</p>	<p><b>F</b></p>  <p>Slat - (10pcs)</p>
<p><b>G</b></p>  <p>Drawer front - 2pcs</p>	<p><b>H</b></p>  <p>Drawer back - 2pcs</p>	<p><b>J</b></p>  <p>Drawer (Left / Right)- 4pcs</p>
<p><b>K</b></p>  <p>Drawer bottom - 4pcs</p>	<p><b>L</b></p>  <p>Drawer support - 2pcs</p>	<p><b>M</b></p>  <p>Front panel of trundle - 1pc</p>
<p><b>N</b></p>  <p>Back panel side rail of trundle - 1pc</p>	<p><b>O</b></p>  <p>Trundle Slat - (8pcs)</p>	<p><b>P</b></p>  <p>Support slat - 1pc</p>
<p><b>Q</b></p>  <p>Leg support - 3pcs</p>		

# Hardware List

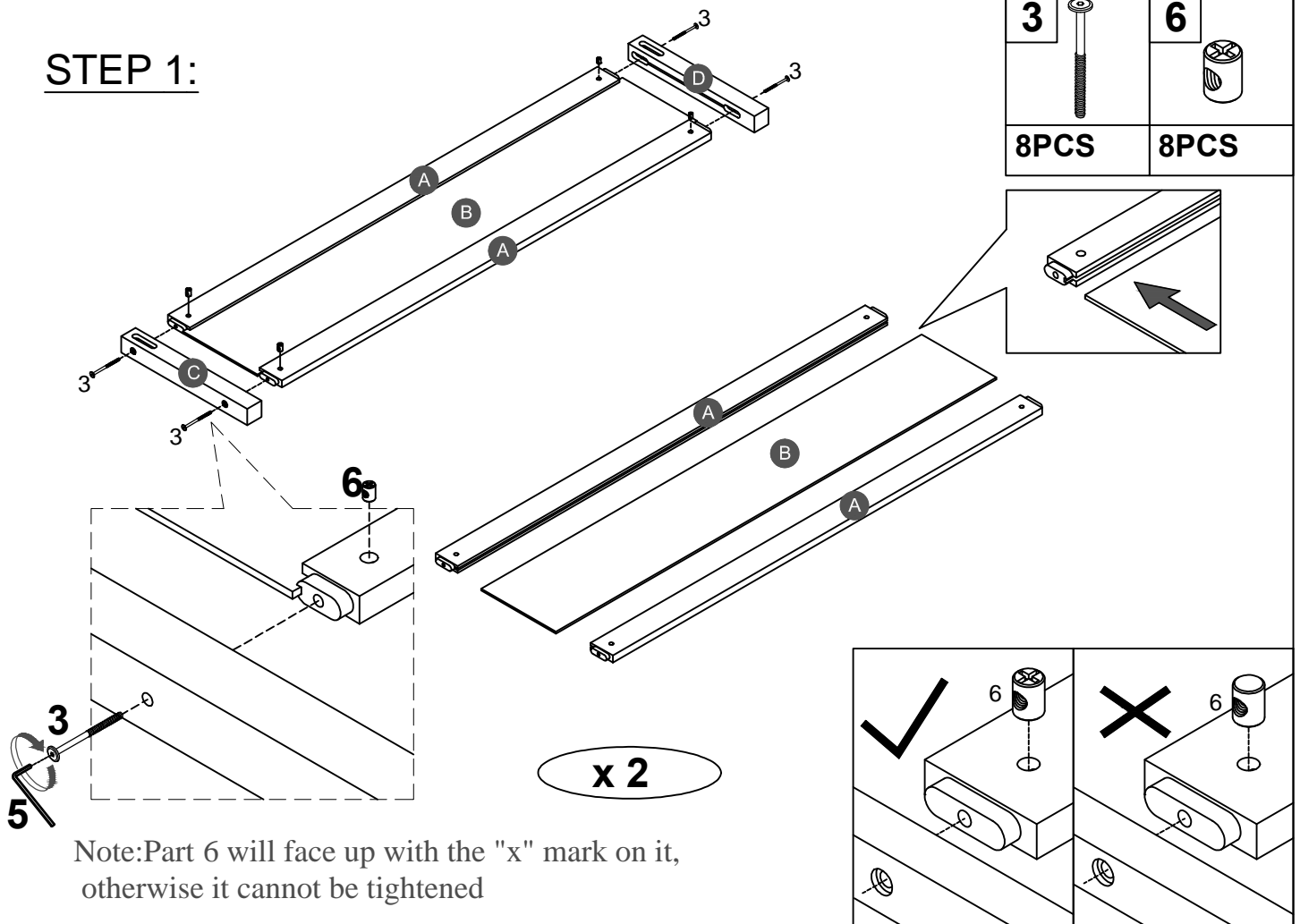
<b>1</b>  Ø8*30mm Wood dowel (24pcs)	<b>2</b>  (Ø15)1/4"*100mm Hex-Head bolts (8pcs)	<b>3</b>  (Ø15)1/4"*80mm Hex-Head bolts (8pcs)
<b>4</b>  (Ø12)1/4"*60mm Hex-Head bolts (8pcs)	<b>5</b>  (1/4")4.5*58mm Allen key (1pc)	<b>6</b>  1/4"*15 (9.5mm) Horizontal-Hole bolts(24pcs)
<b>7</b>  100*54*20 mm Wheels (8pcs)	<b>8</b>  70*35*19 mm Drawer stopper (5pcs)	<b>9</b>  Ø10*20mm Wood dowel (8pcs)
<b>10</b>  Ø4*30mm Wood screws (62pcs)	<b>11</b>  100*63*20mm Wheels (4pcs)	<b>12</b>  95*95*18*3mm Metal bracket (2pcs)
<b>13</b>  40*18*18*2mm Metal bracket (2pcs)	<b>14</b>  Ø3.5*15mm Wood screws (16pcs)	

## ASSEMBLY TOOLS REQUIRED ( NOT INCLUDED )

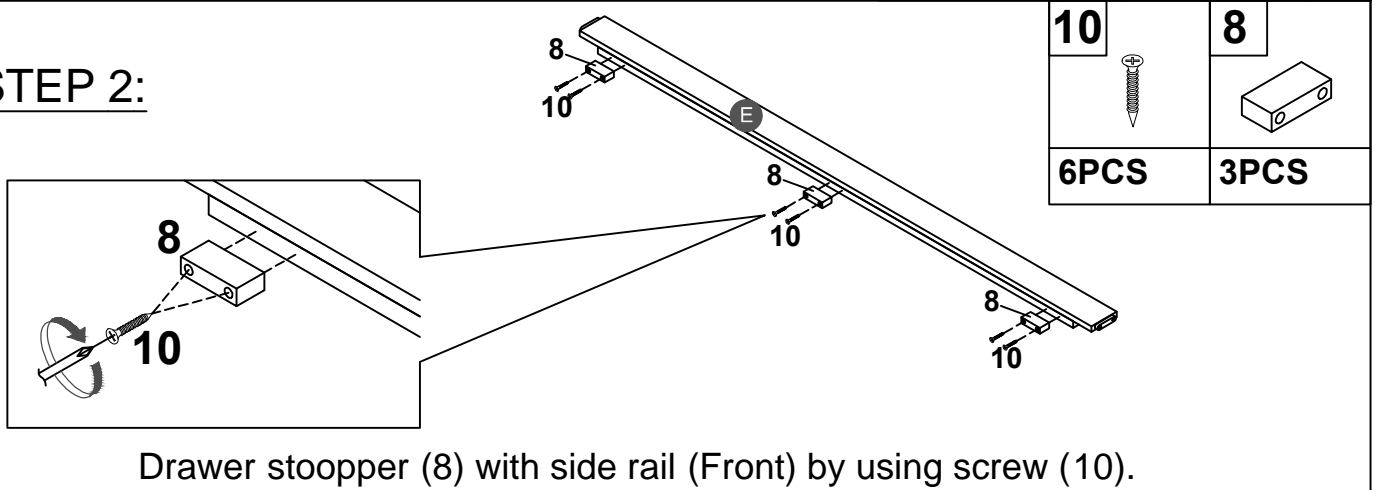


PLEASE BE CAREFUL DO NOT DAMAGE THE HOLE POSITION WHEN YOU USE POWER TOOLS !

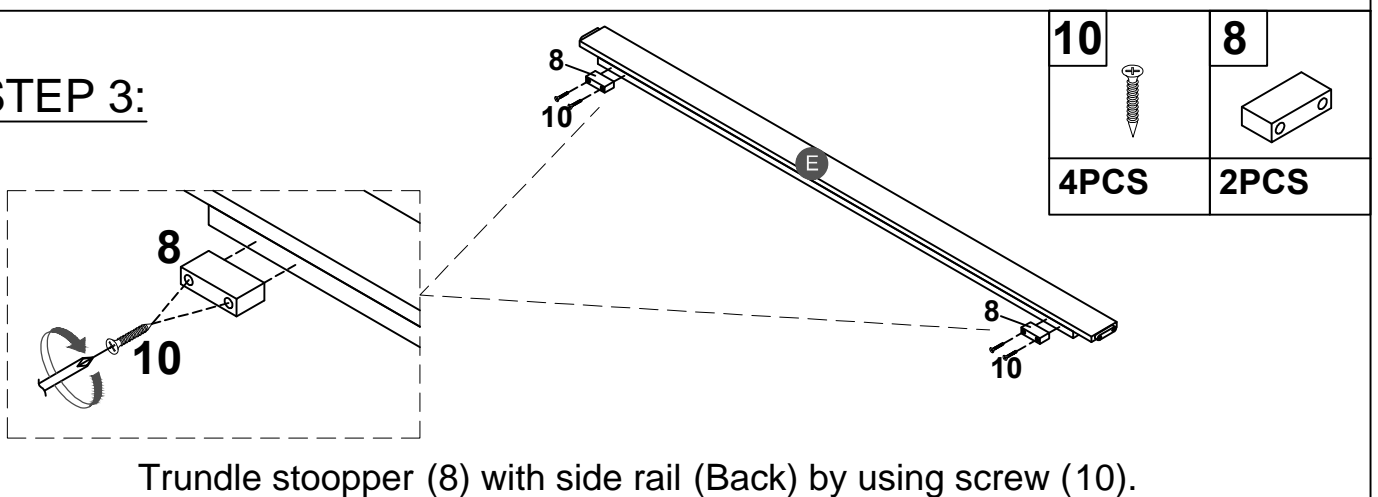
**STEP 1:**



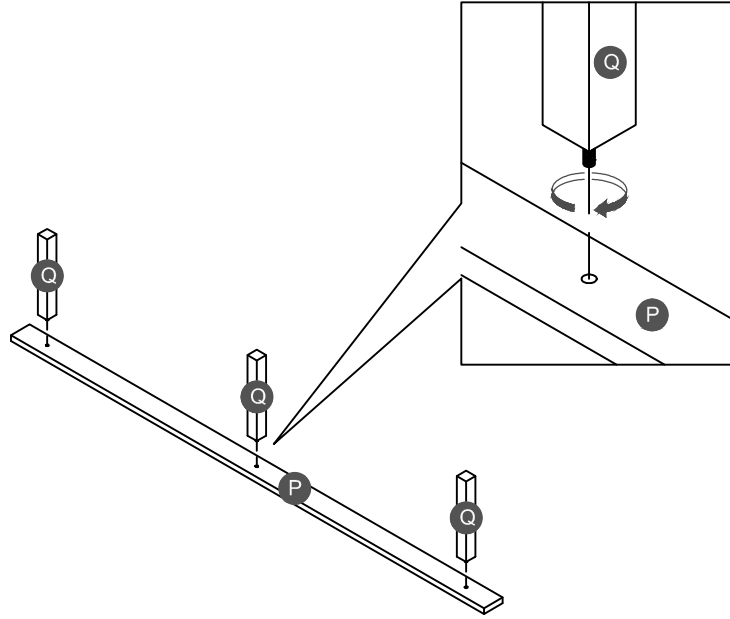
**STEP 2:**





**STEP 3:**

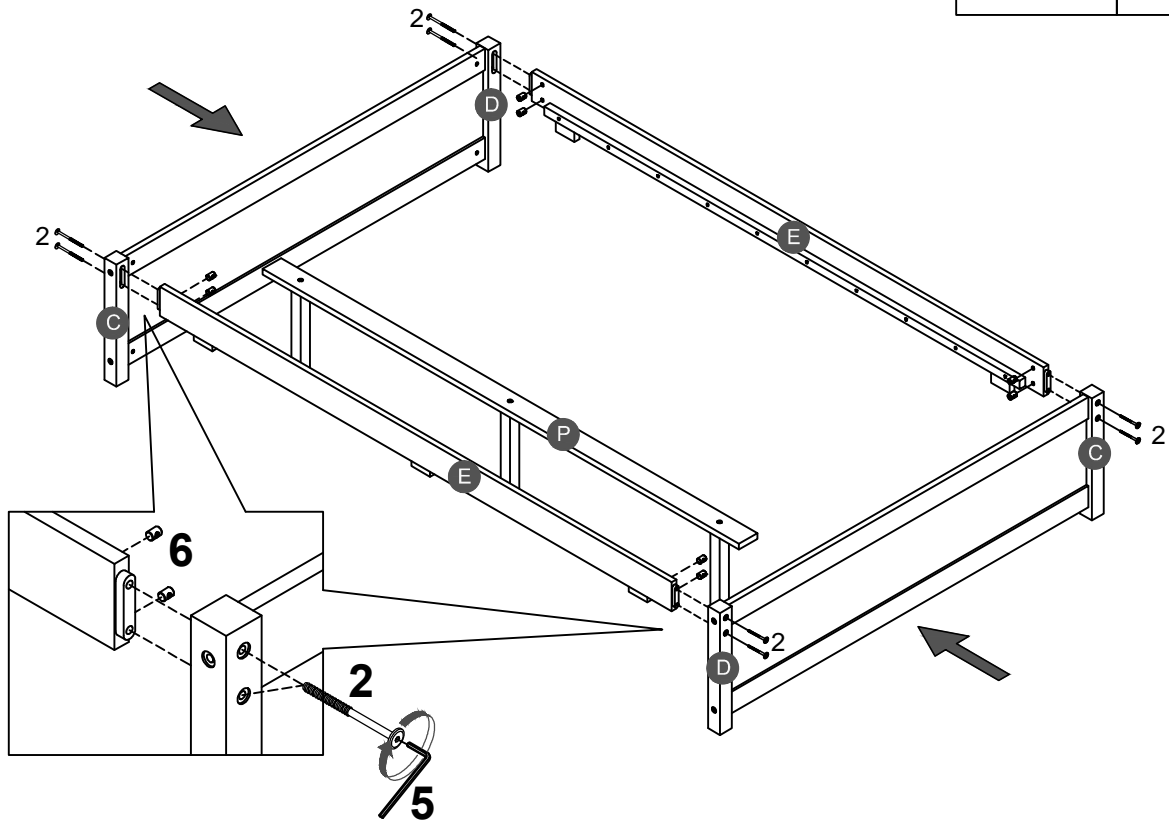


**STEP 4:**




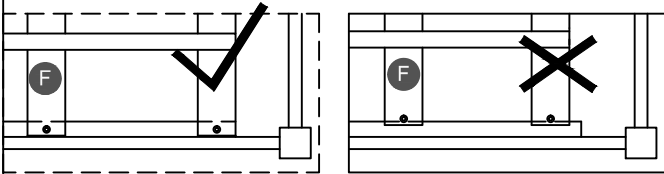
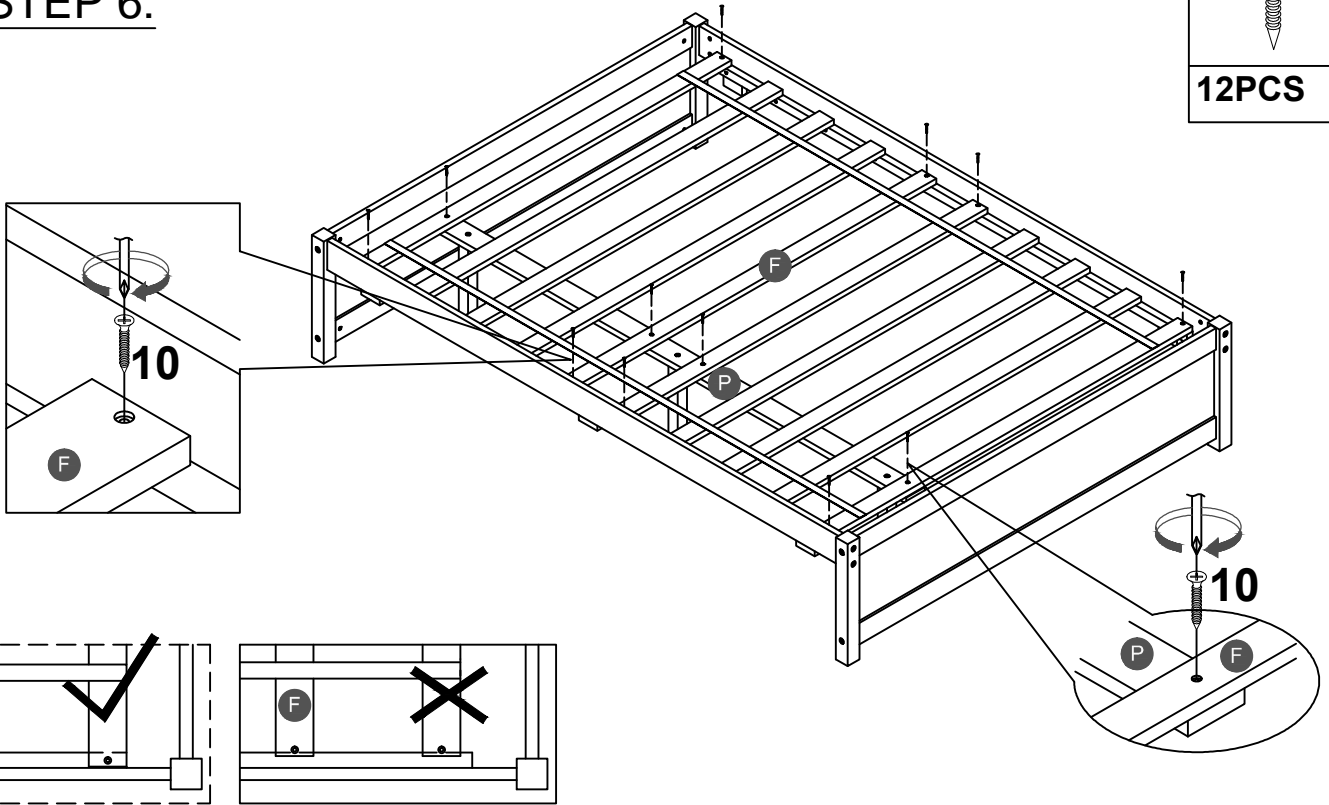
**STEP 5:**

<b>2</b>		<b>6</b>	
<b>8PCS</b>		<b>8PCS</b>	






# STEP 6:

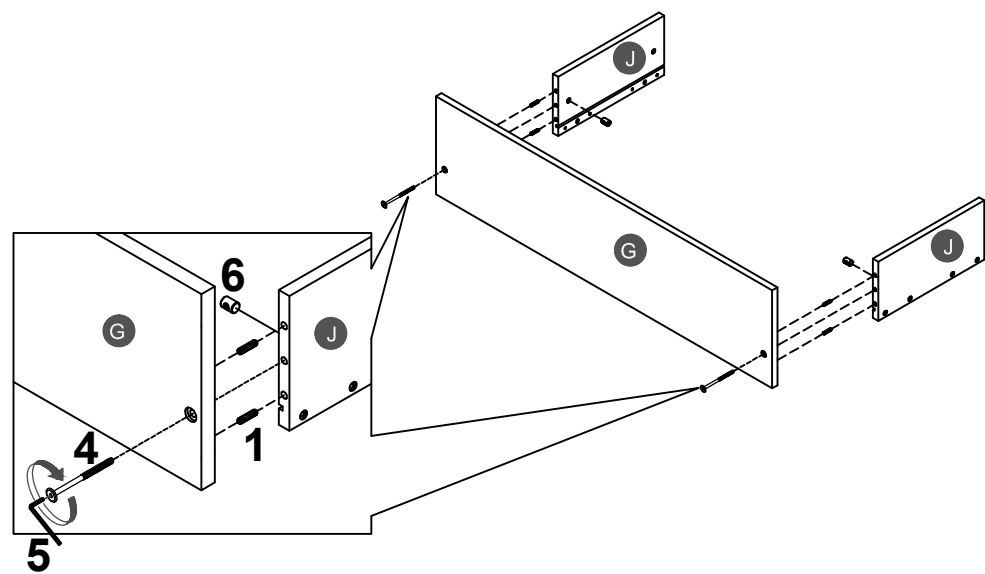
**10**  
  
**12PCS**



Note: Do not lock the screws of the bed slats to the outermost edge of the bed slats, you need to leave a certain space at the edges, otherwise it will cause the board to break




# STEP 7:

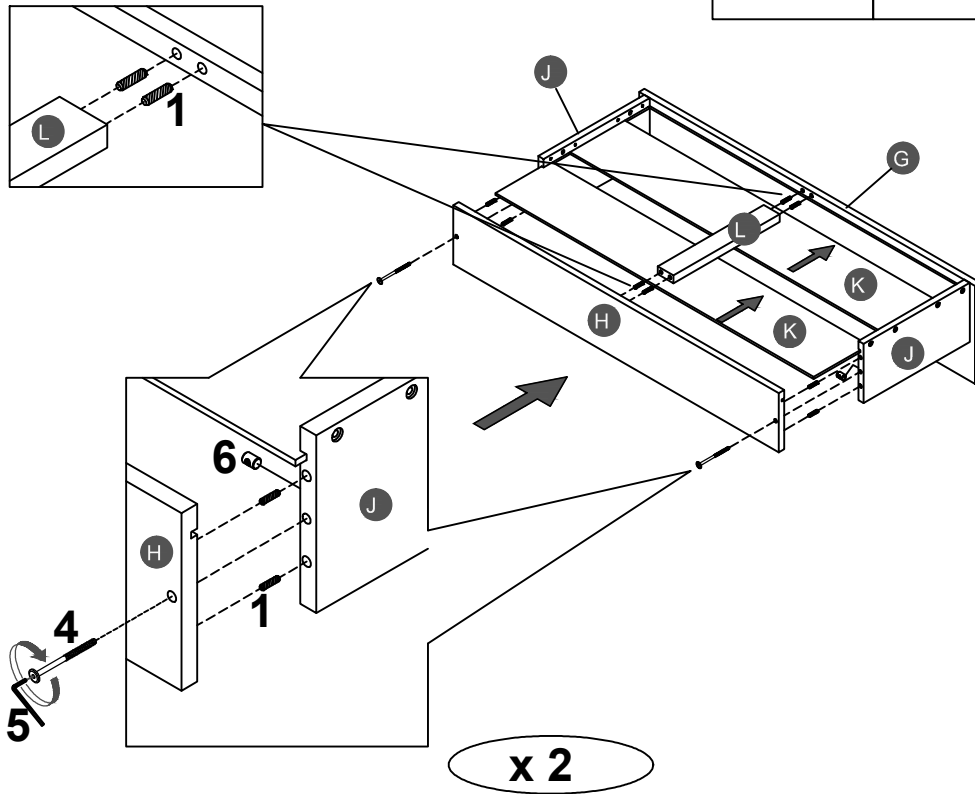
<b>1</b> 	<b>4</b> 	<b>6</b> 
<b>8PCS</b>	<b>4PCS</b>	<b>4PCS</b>



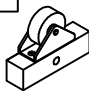


**x 2**

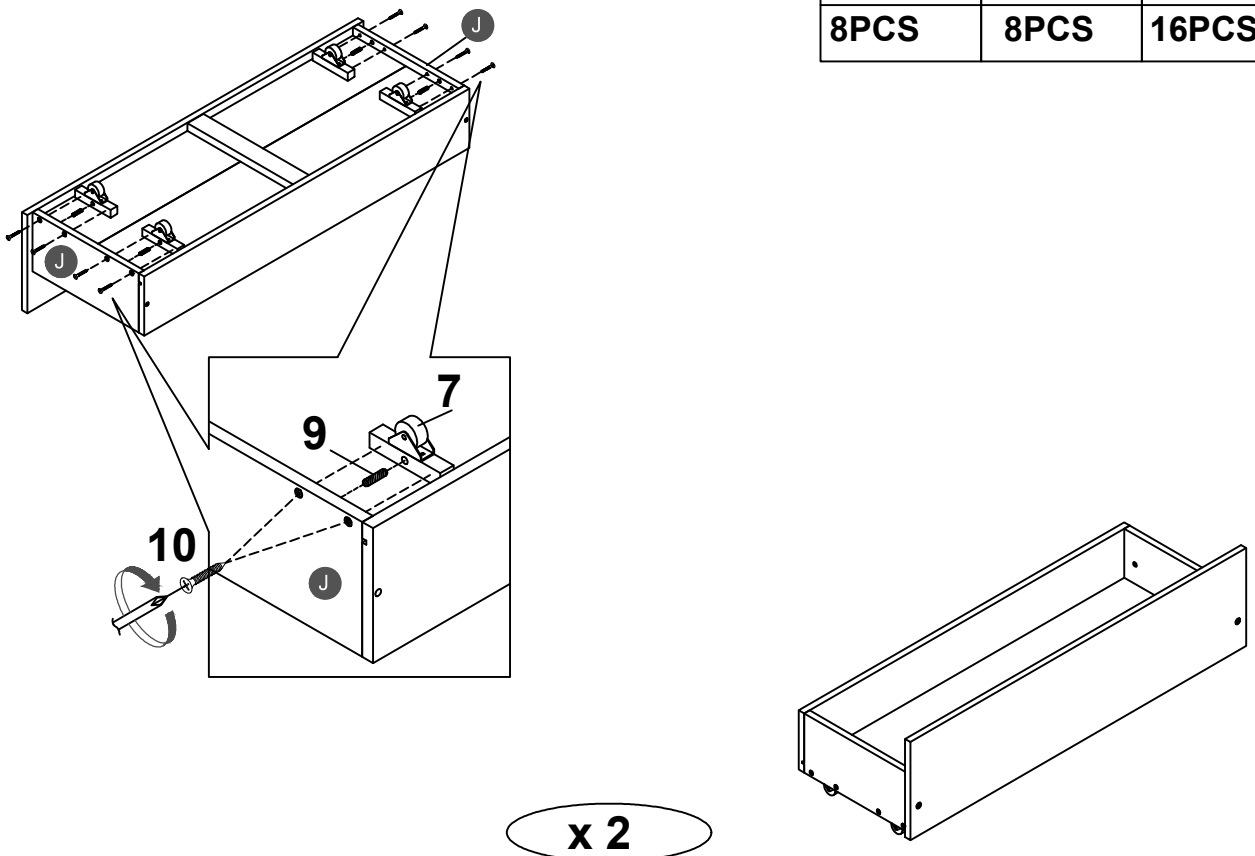
**STEP 8:**

<b>1</b>		<b>4</b>		<b>6</b>	
<b>16PCS</b>		<b>4PCS</b>		<b>4PCS</b>	





**STEP 9:**

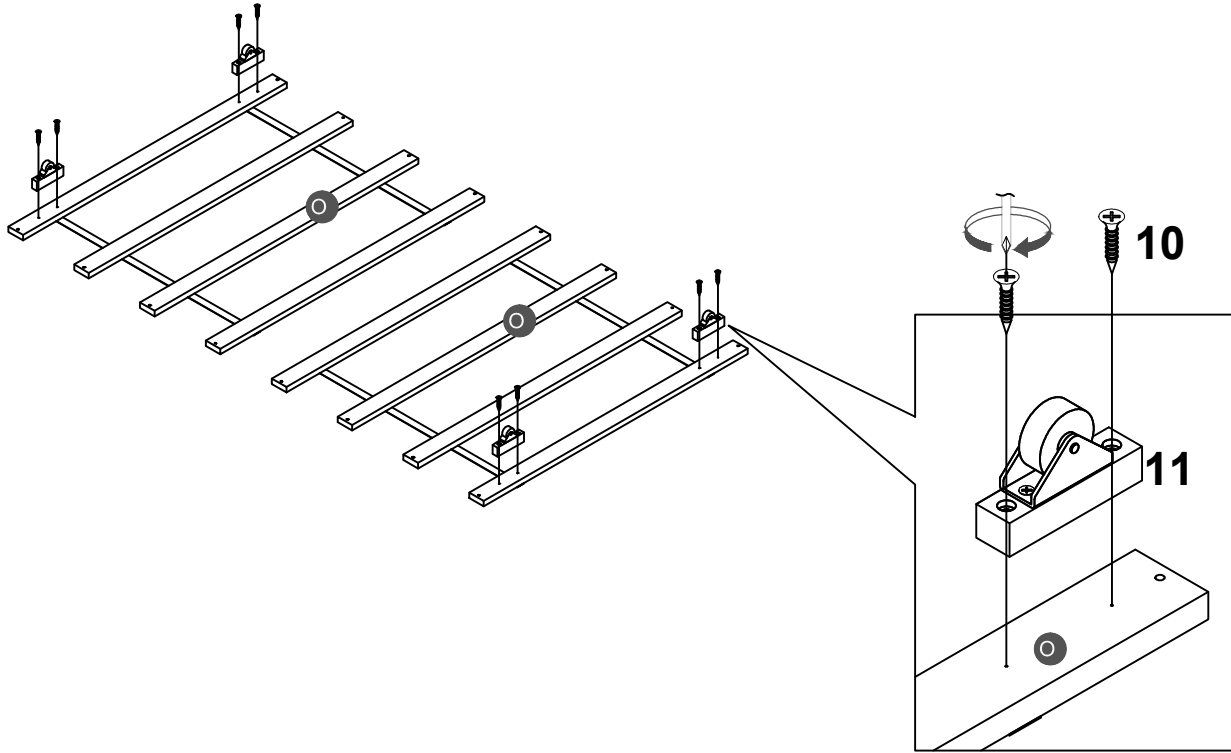
<b>7</b>		<b>9</b>		<b>10</b>	
<b>8PCS</b>		<b>8PCS</b>		<b>16PCS</b>	






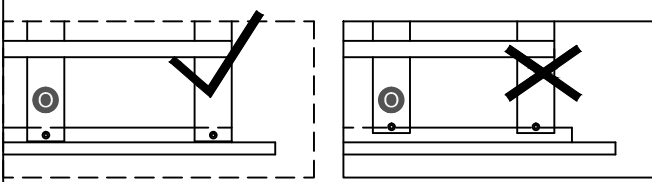
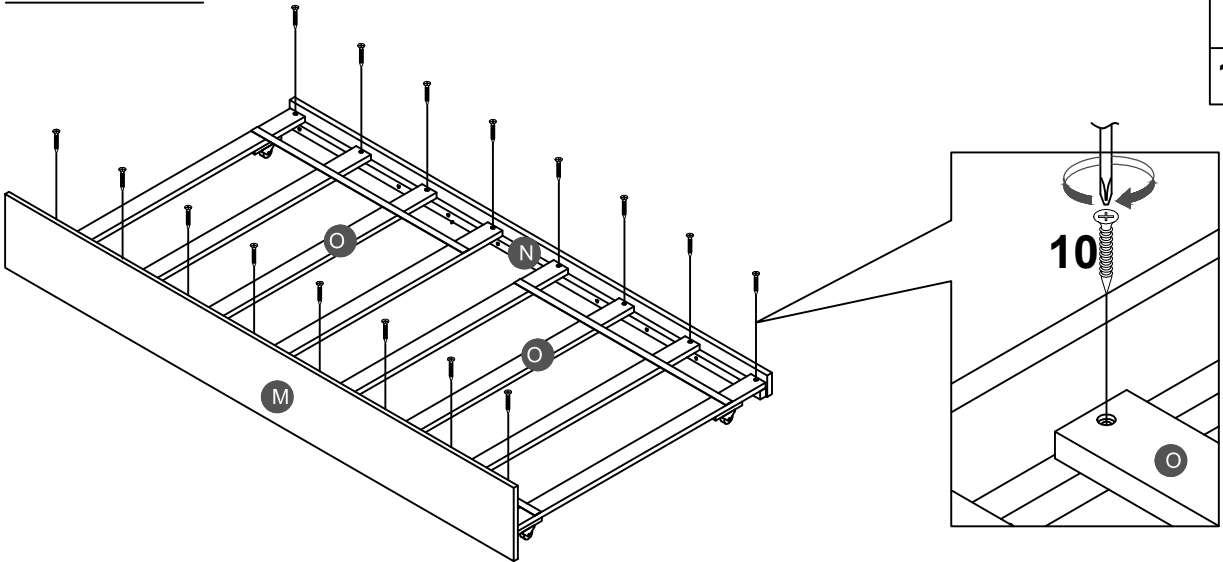
# STEP 10:

<b>11</b> 	<b>10</b> 
<b>4PCS</b>	<b>8PCS</b>





# STEP 11:

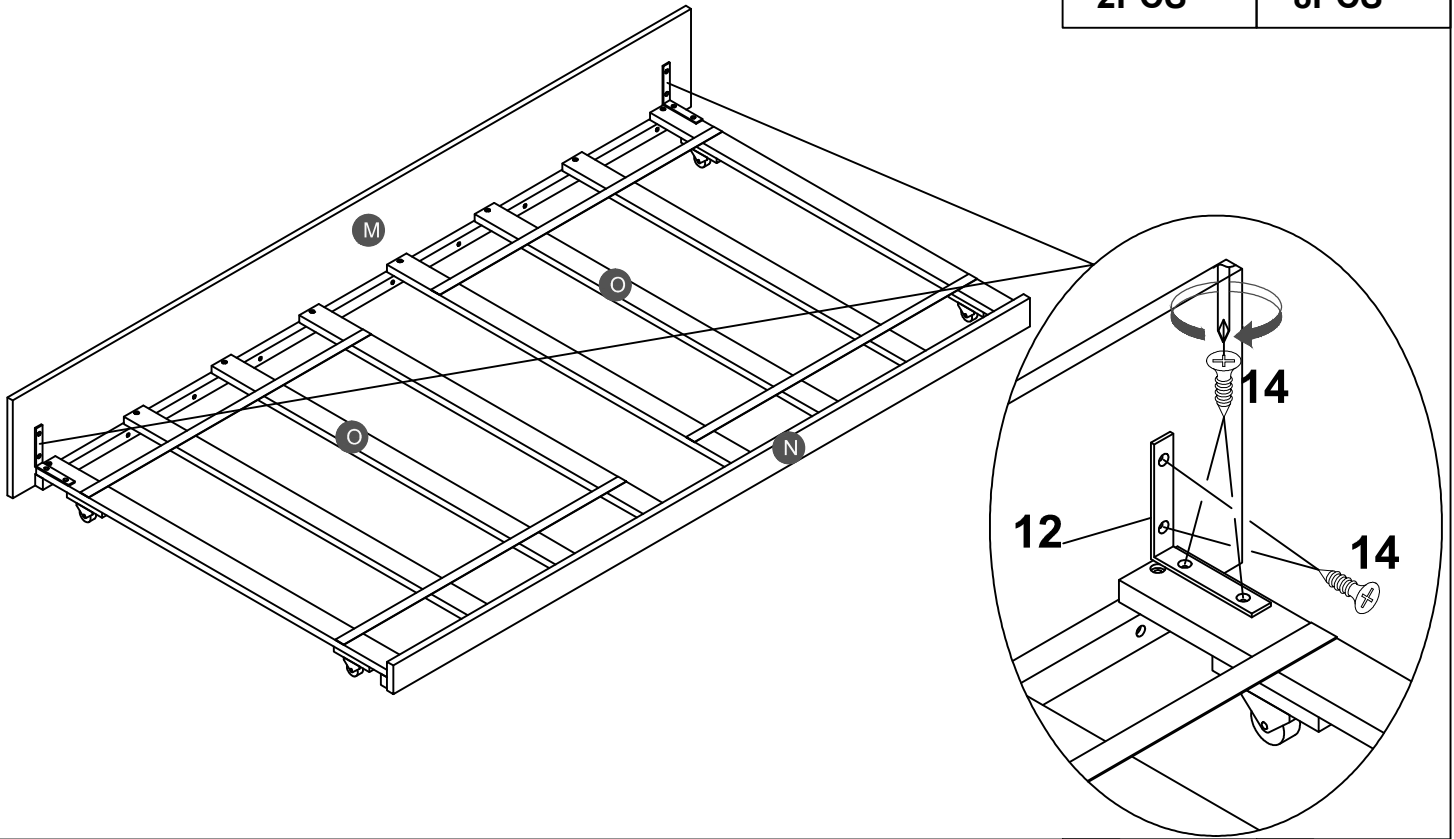
<b>10</b> 
<b>16PCS</b>



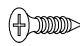
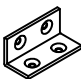
Note: Do not lock the screws of the bed slats to the outermost edge of the bed slats, you need to leave a certain space at the edges, otherwise it will cause the board to break

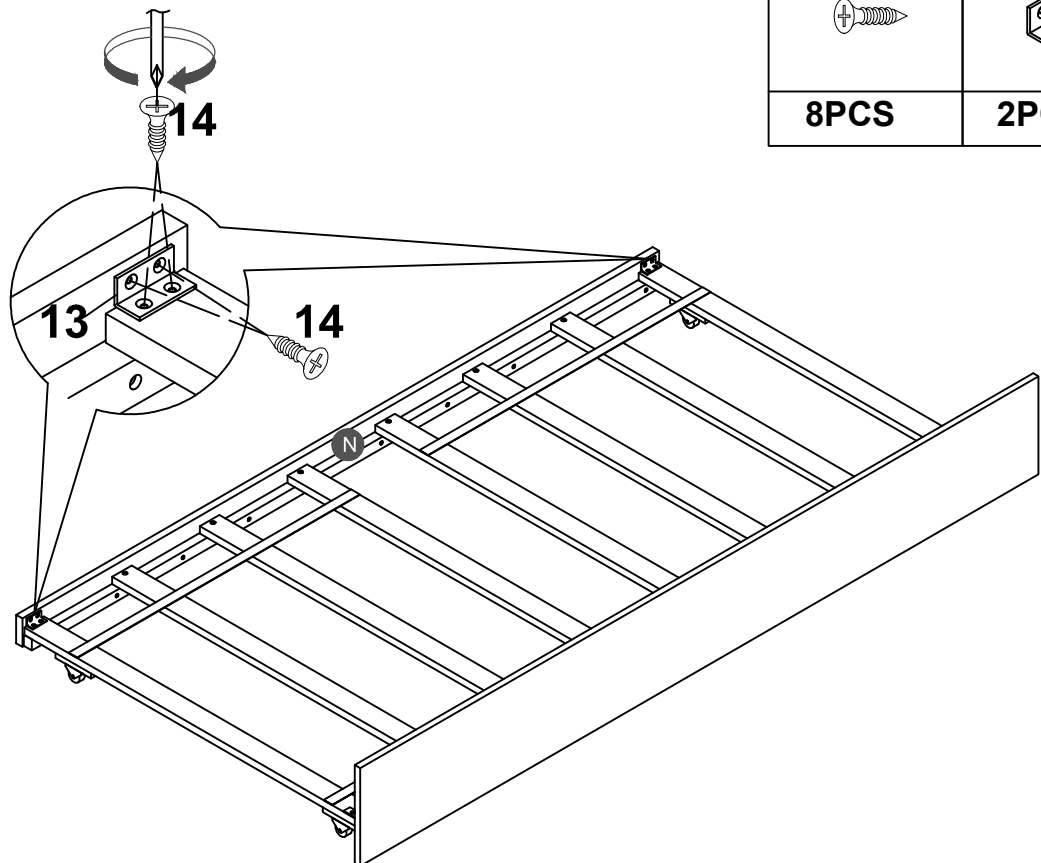
**STEP 12:**

<b>12</b>	<b>14</b>
	
<b>2PCS</b>	<b>8PCS</b>

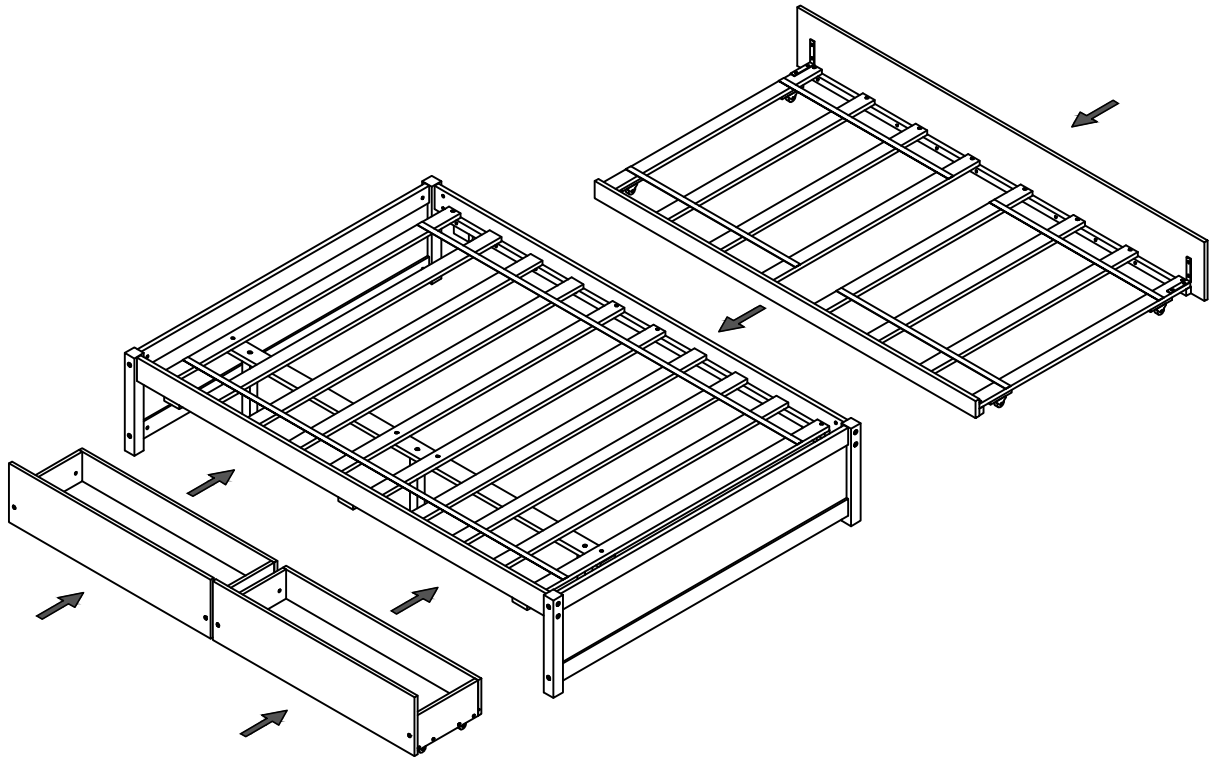


**STEP 13:**

<b>14</b>	<b>13</b>
	
<b>8PCS</b>	<b>2PCS</b>



**STEP 14:**



Push Drawers and Trundle under the bottom of Full bed.

