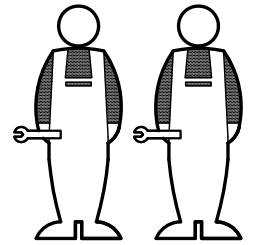
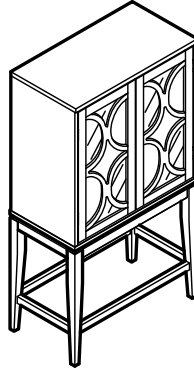
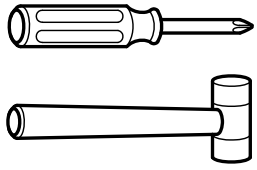


ASSEMBLY  
INSTRUCTIONS

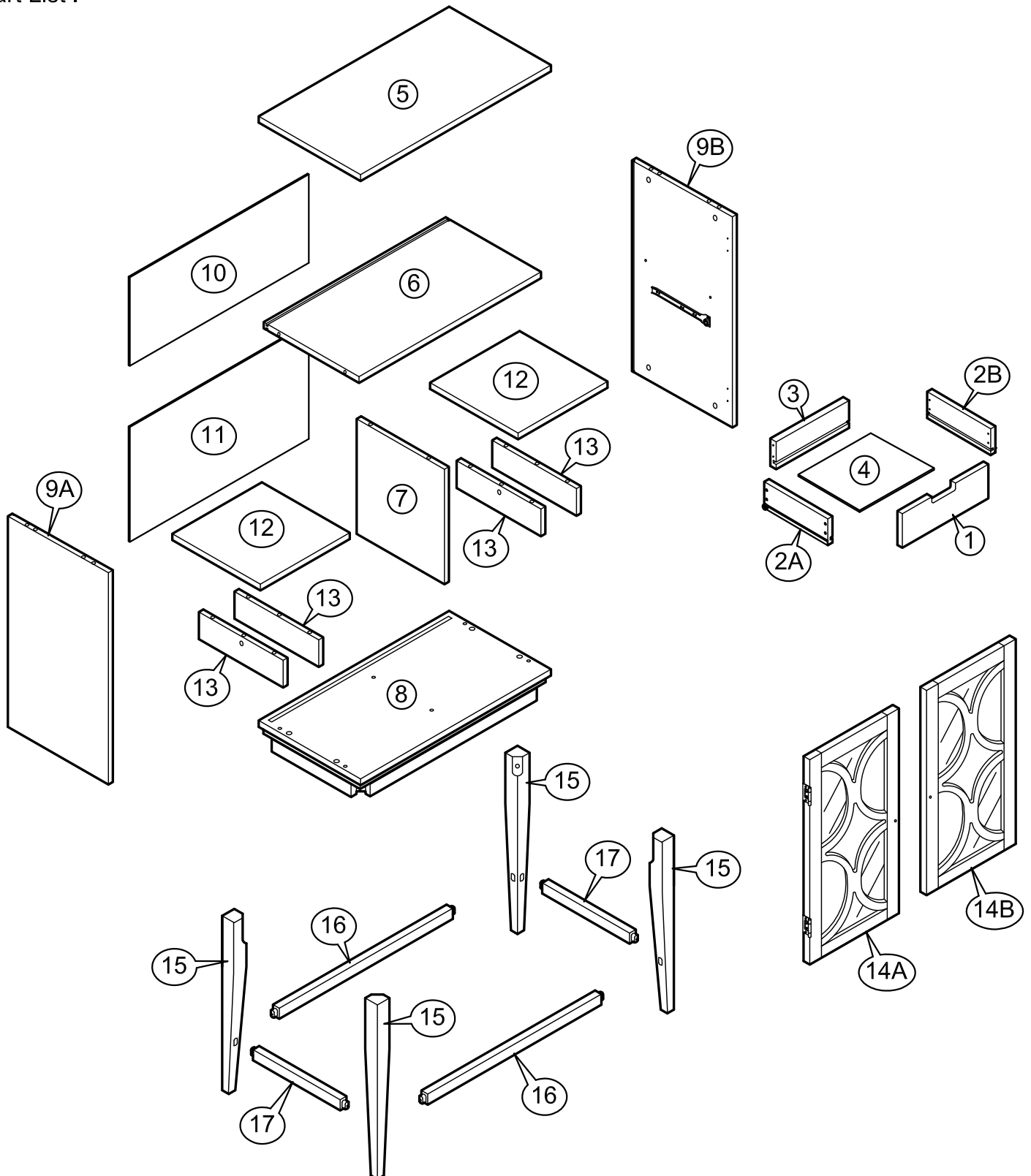
W69165659  
DIVA WINE CABINET







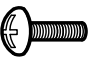






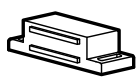



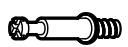


Not Provided

2 Persons



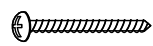
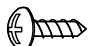
Part List :



## HARDWARE LIST

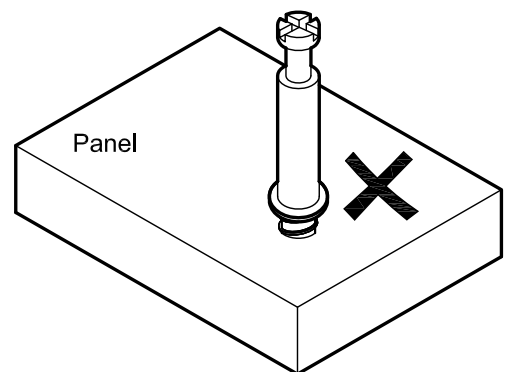
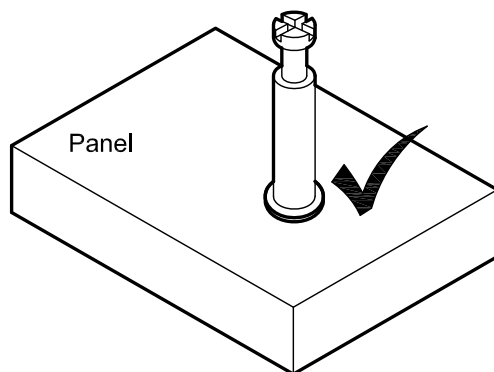
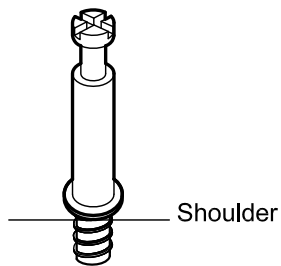
A	 = 2	F	 = 8	K	 1/4" = 4	P	 M6 x 30mm = 8
B	 20mm = 2	G	 M3 x 20mm = 8	L	 M3 x 12mm (Black) = 8	Q	 M8 x 30mm = 8
C	 M4 = 1	H	 #8 x 1 1/4" = 8	M	 M3 x 16mm (Black) = 4	R	 = 2
D	 9mm = 20	I	 M6 x 60mm = 4	N	 M3.5 x 12mm = 8	S	
E	 24mm = 20	J	 1/4" = 4	O	 M4 x 38mm = 8		

### ANTI-TIPPING WITH METAL STRAPE ( 2 SET )

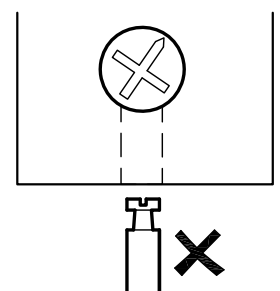
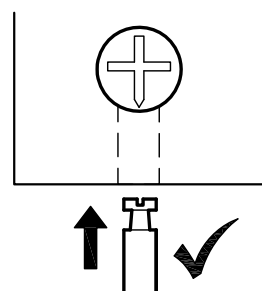
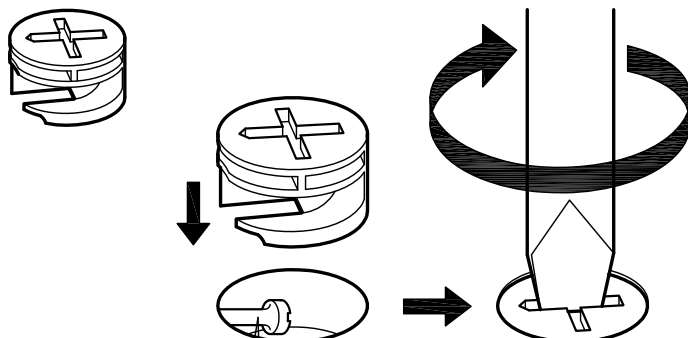
Metal Bracket	Cabinet Restraint Strap	Pan Head Screw ( Long )	Pan Head Screw ( Short )
 ( 2 X 2 SET )	 ( 1 X 2 SET )	 ( 1 X 2 SET )	 ( 1 X 2 SET )

## SPECIAL TIPS FOR FITTING CAM-LOCKS AND QUICKFIT

### QUICKFIT

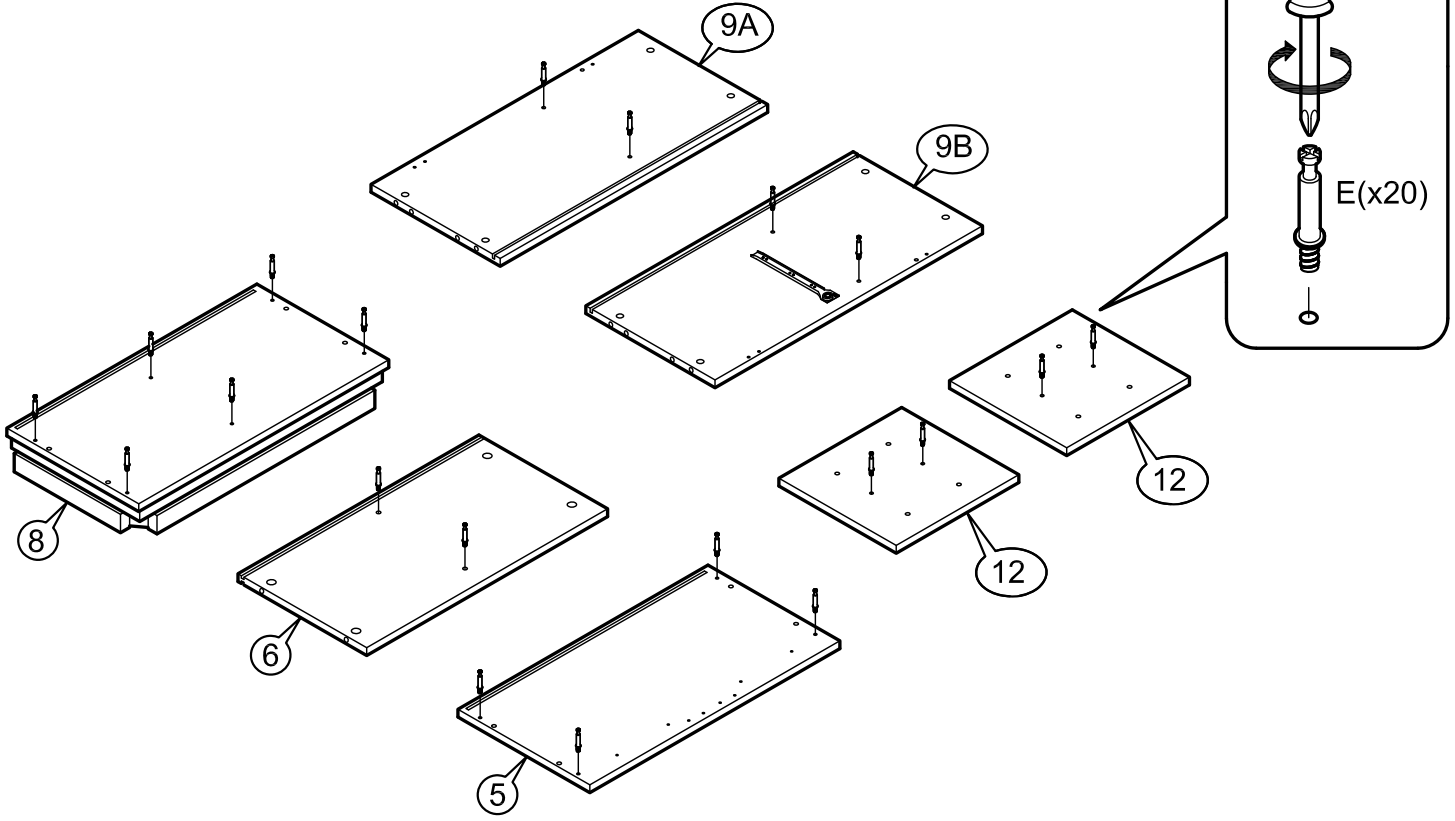


### CAM-LOCK

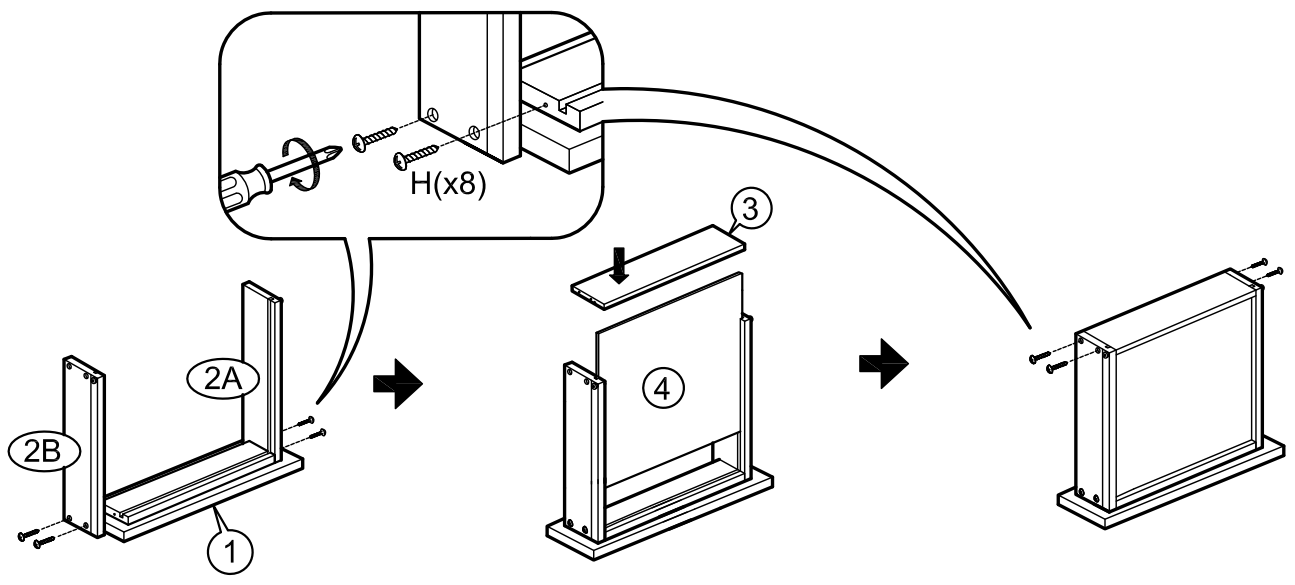


QUICKFIT HEAD NEEDS TO BE IN CENTRE

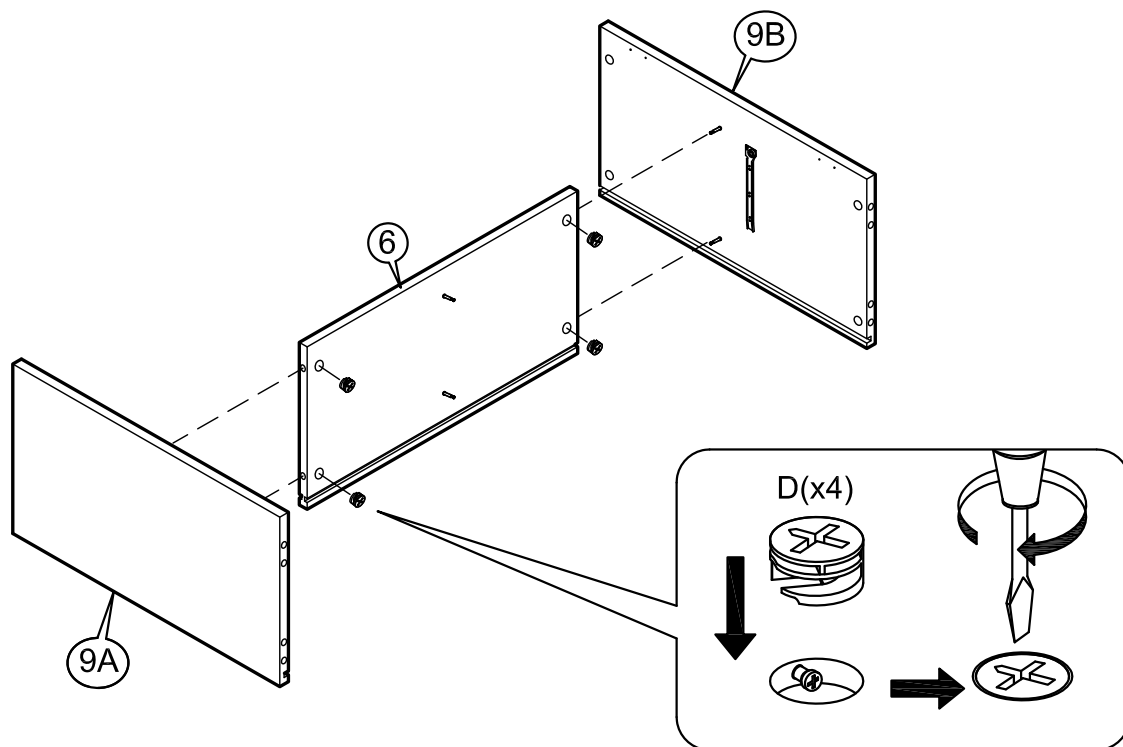
1



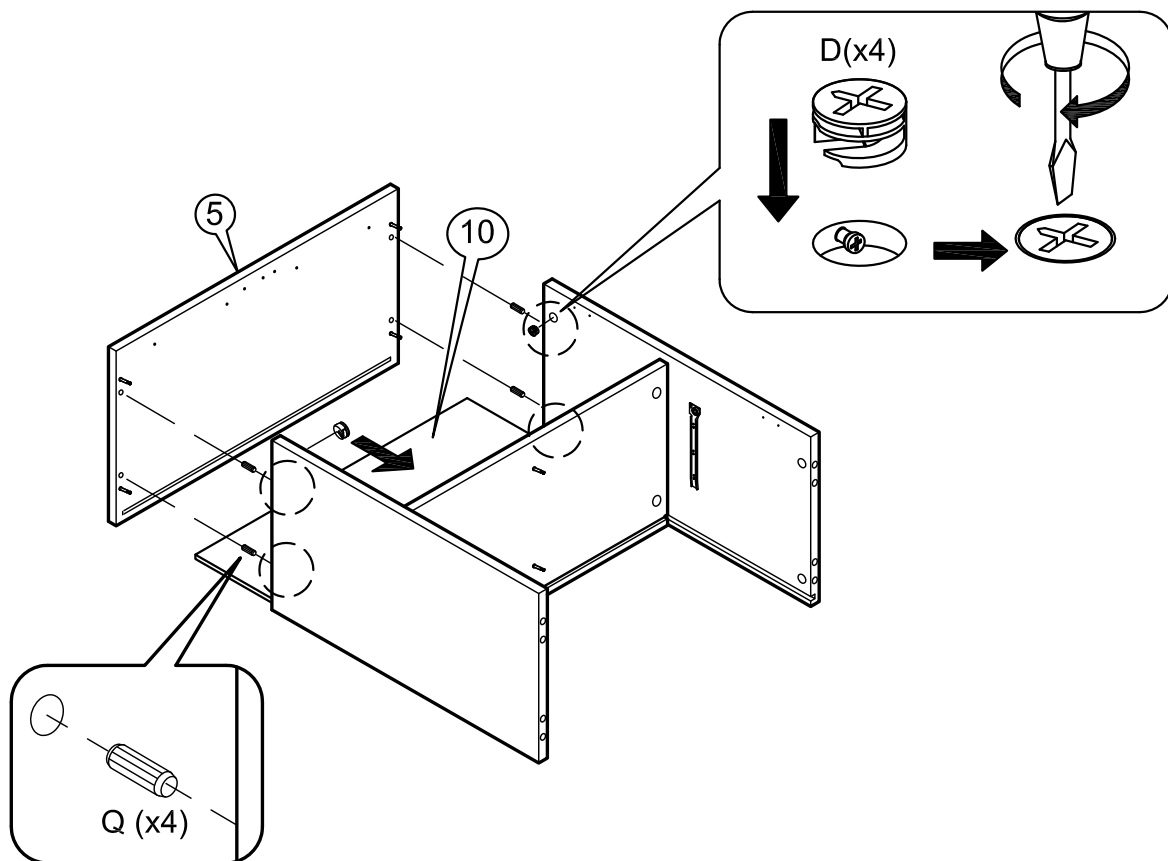
2



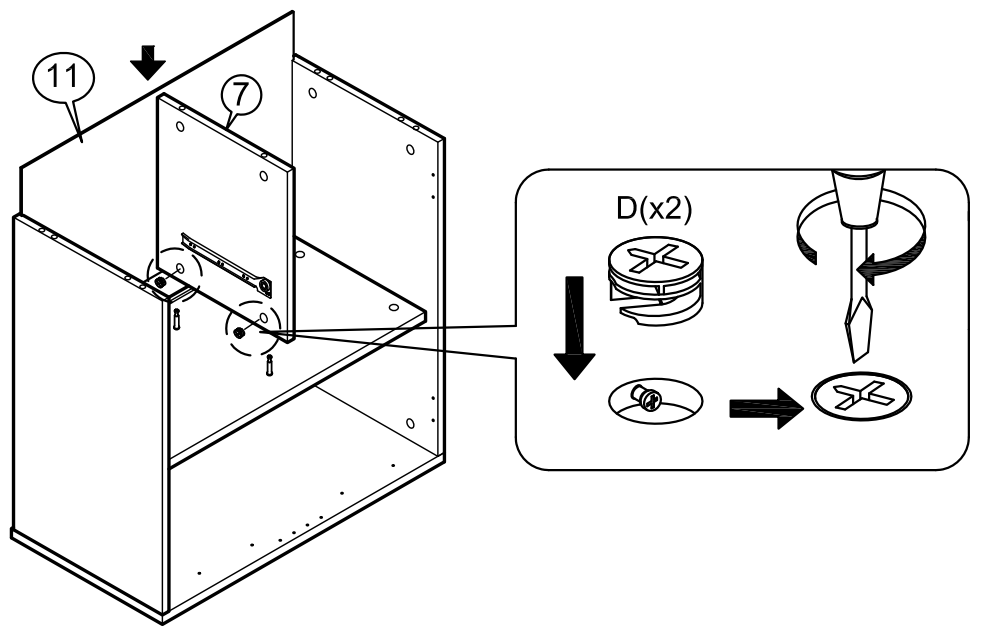
3



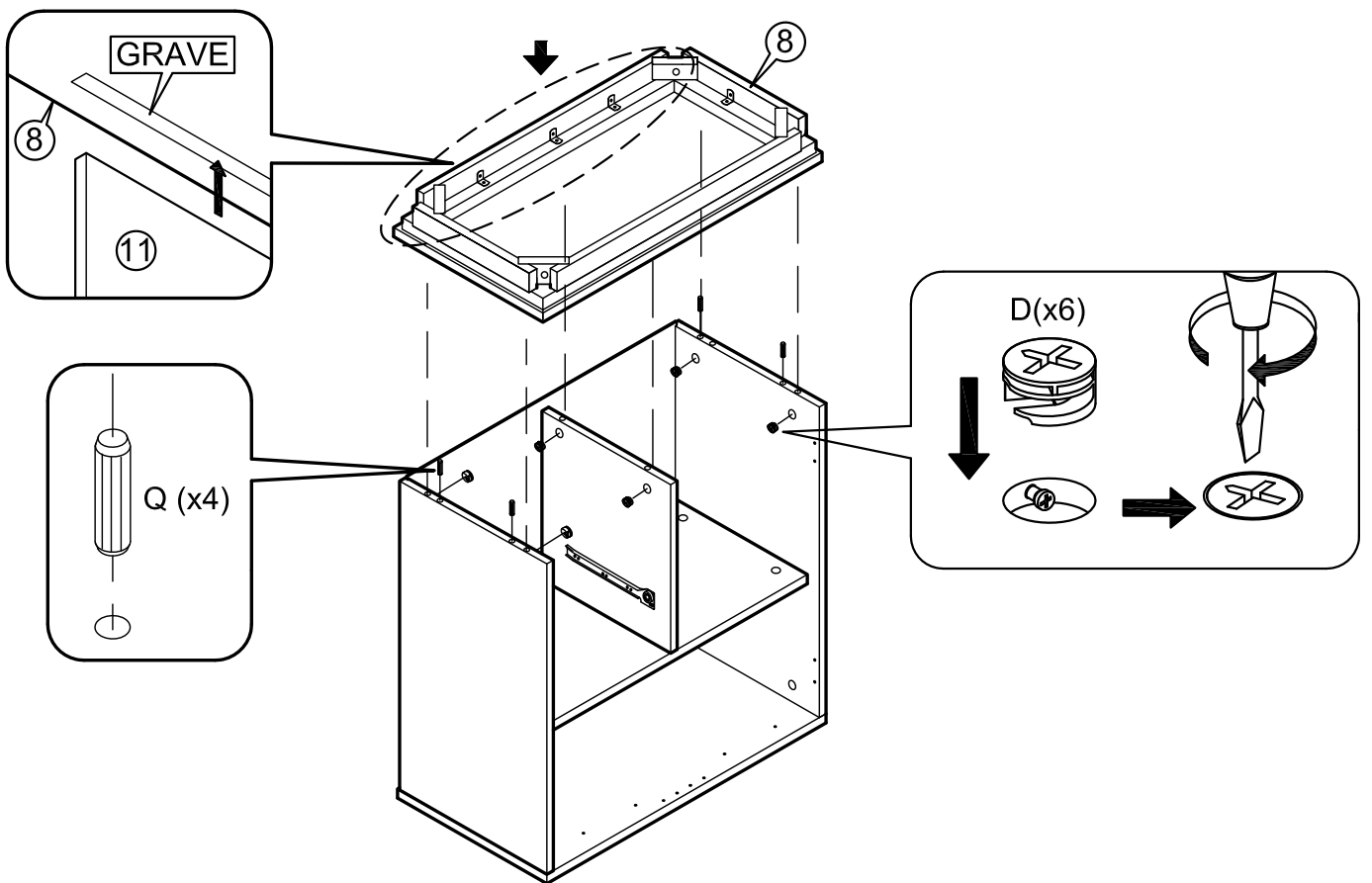
4



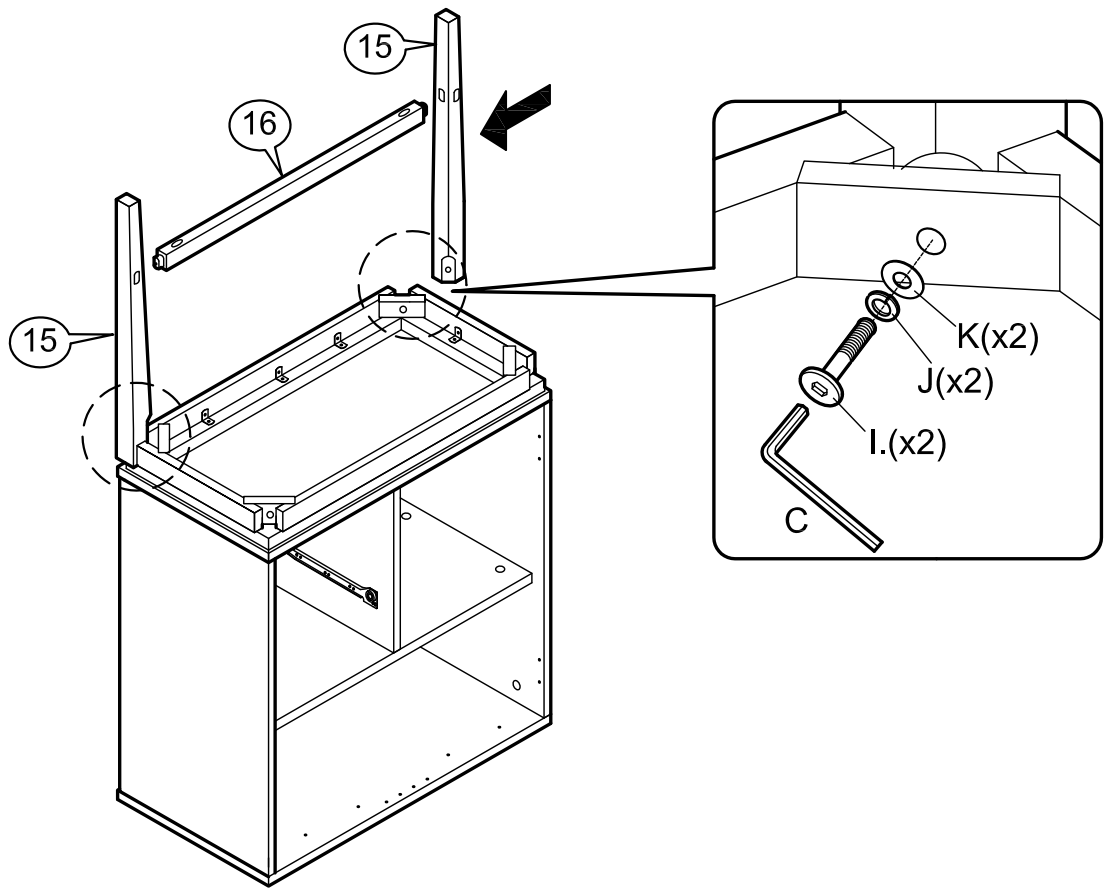
5



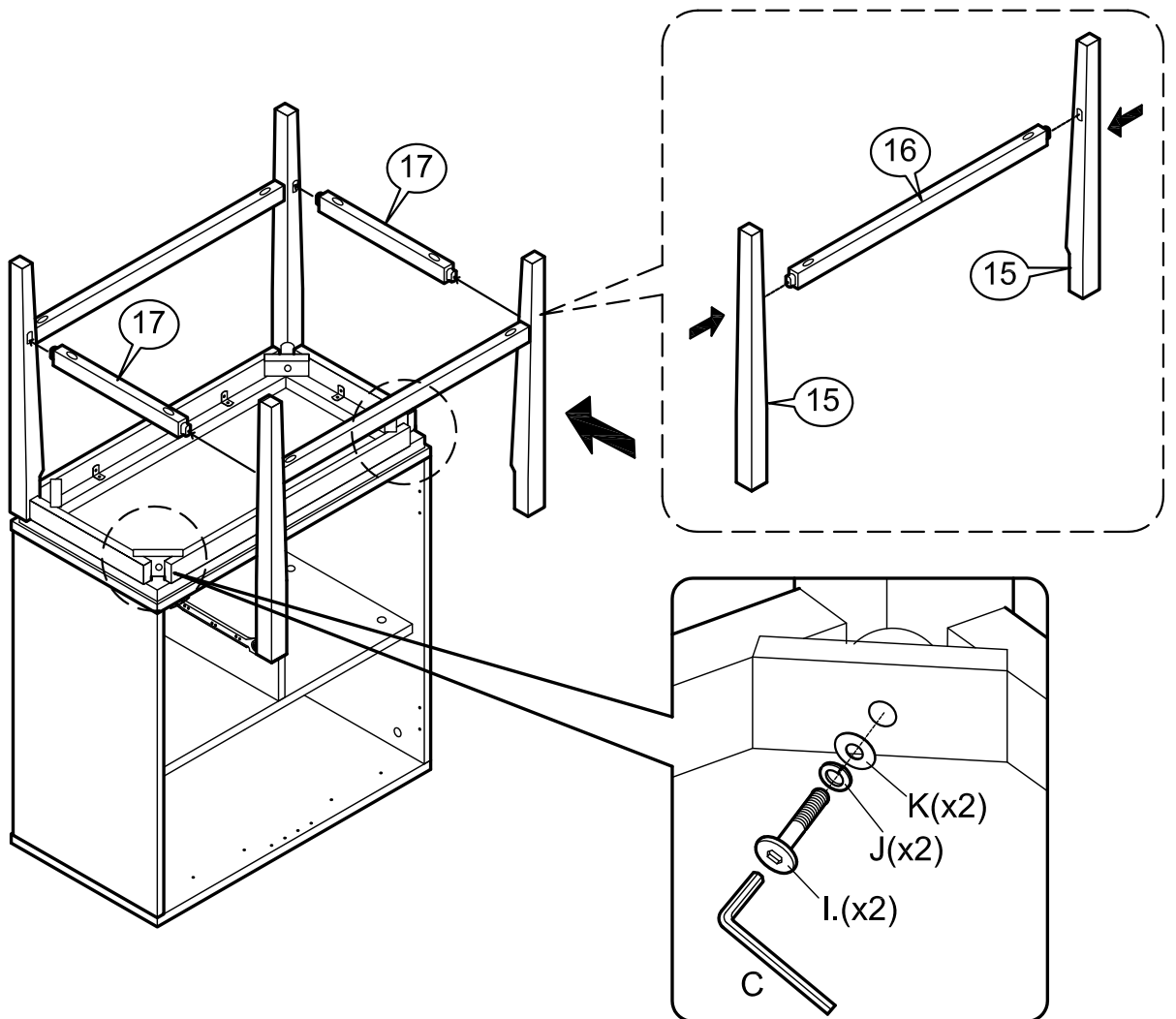
6



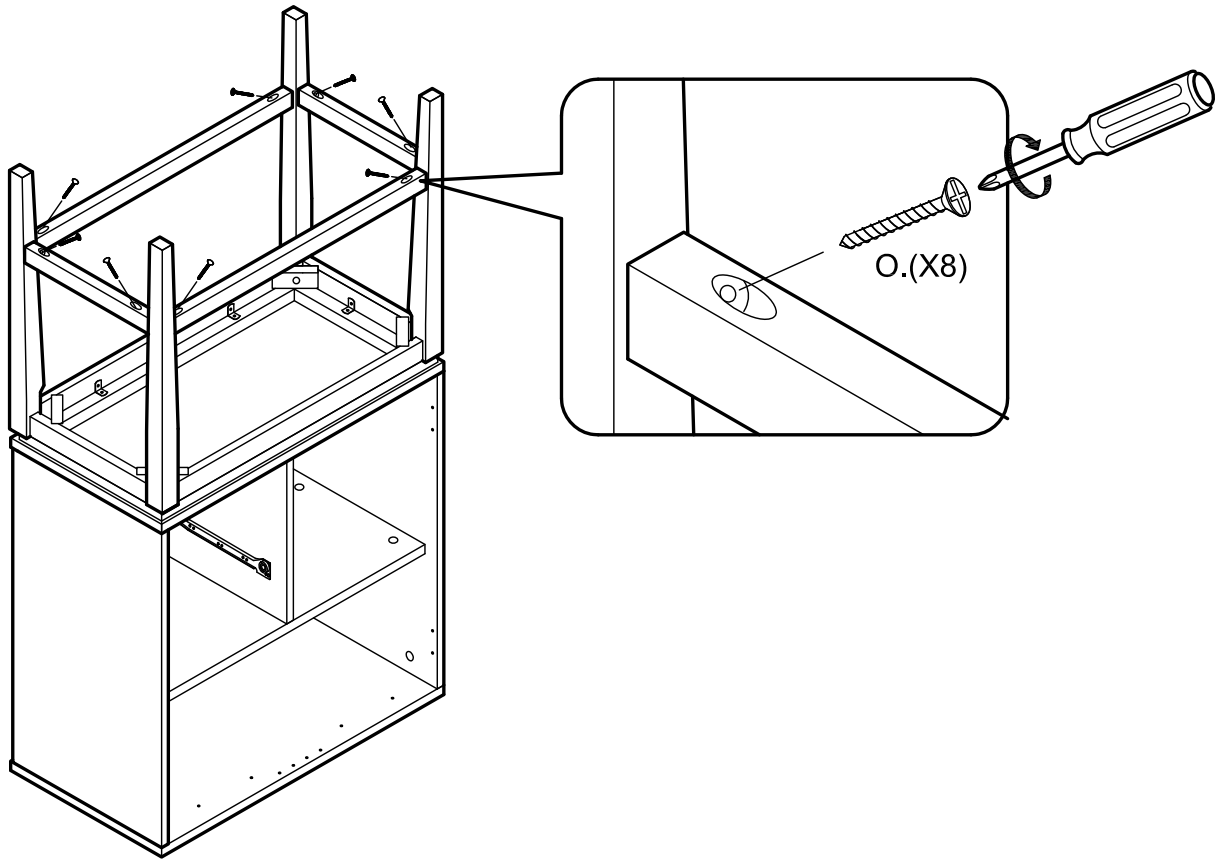
7



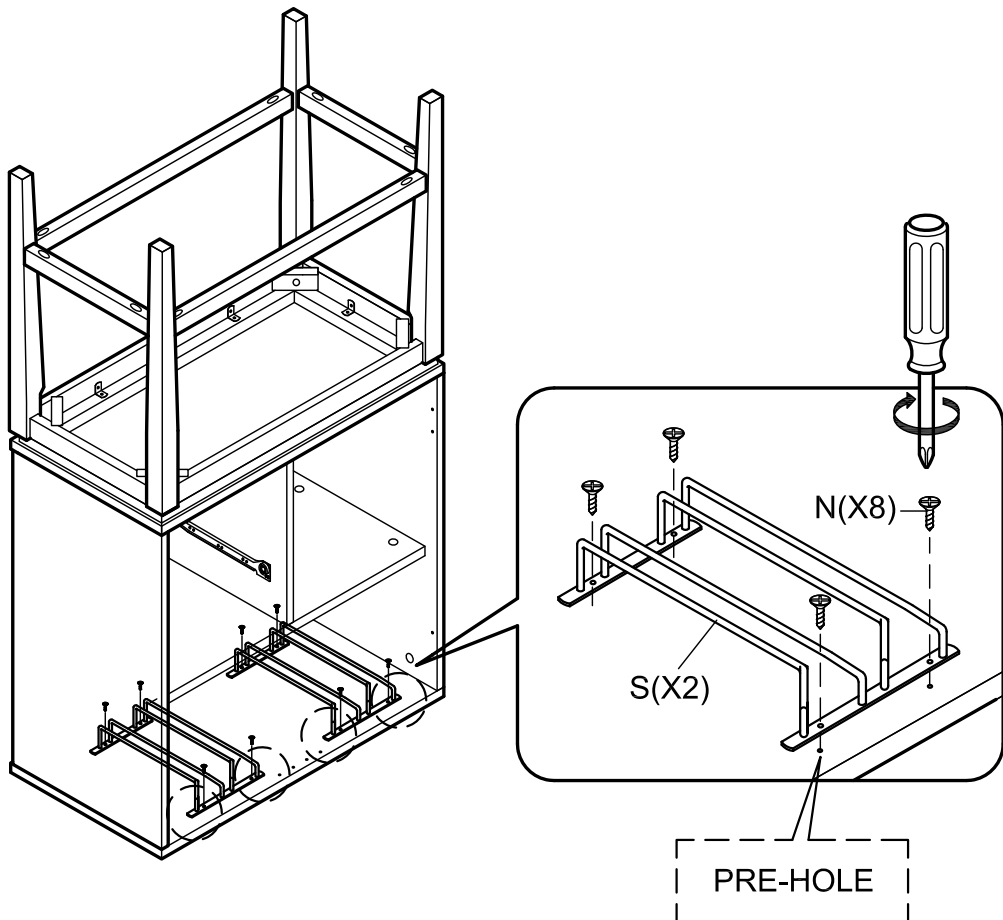
8



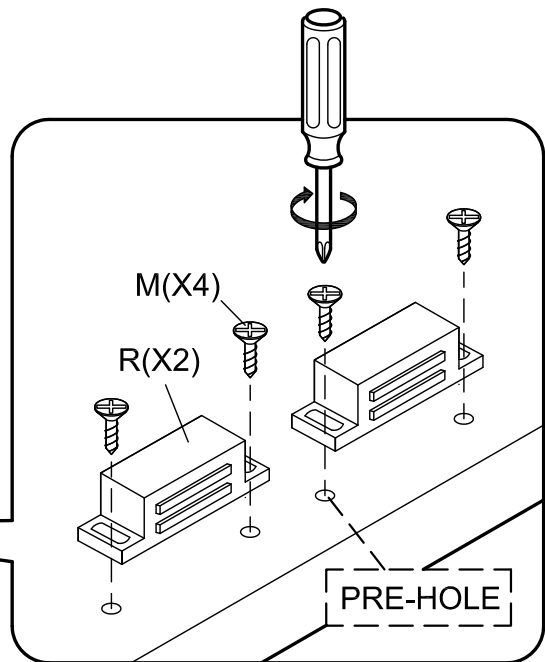
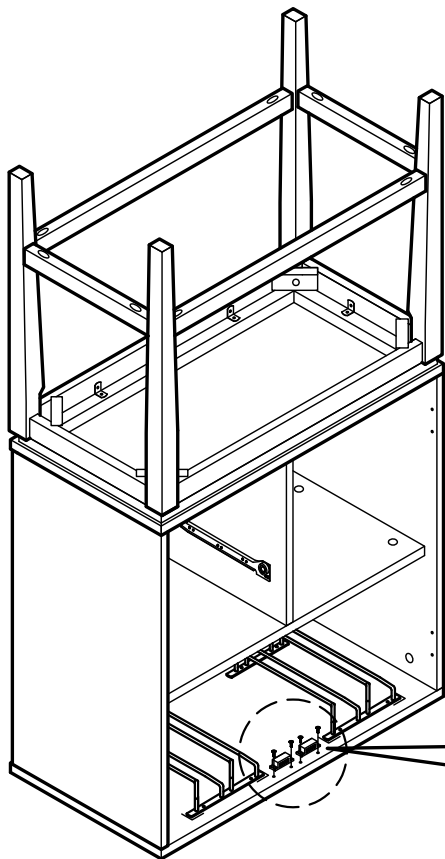
9



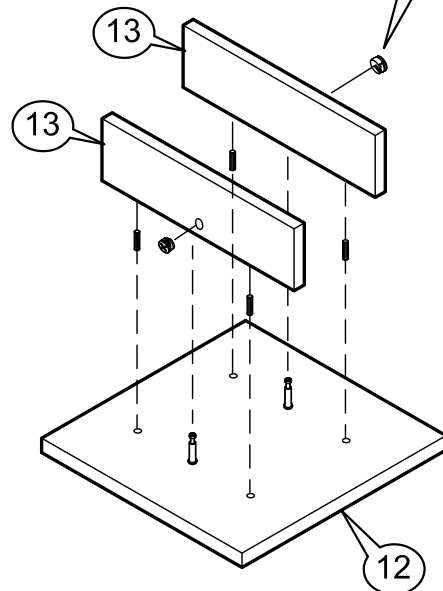
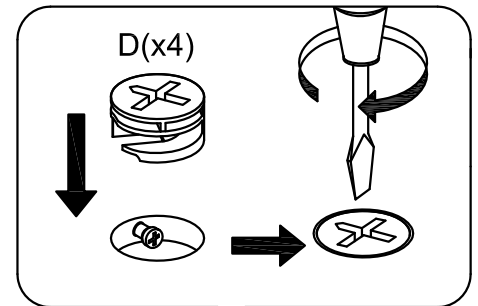
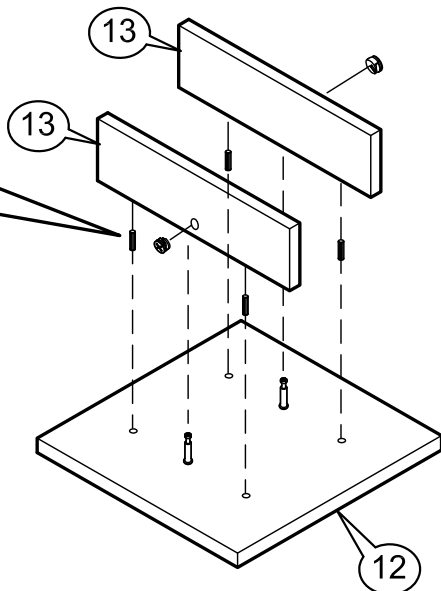
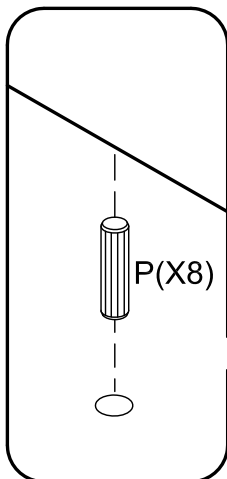
10



11

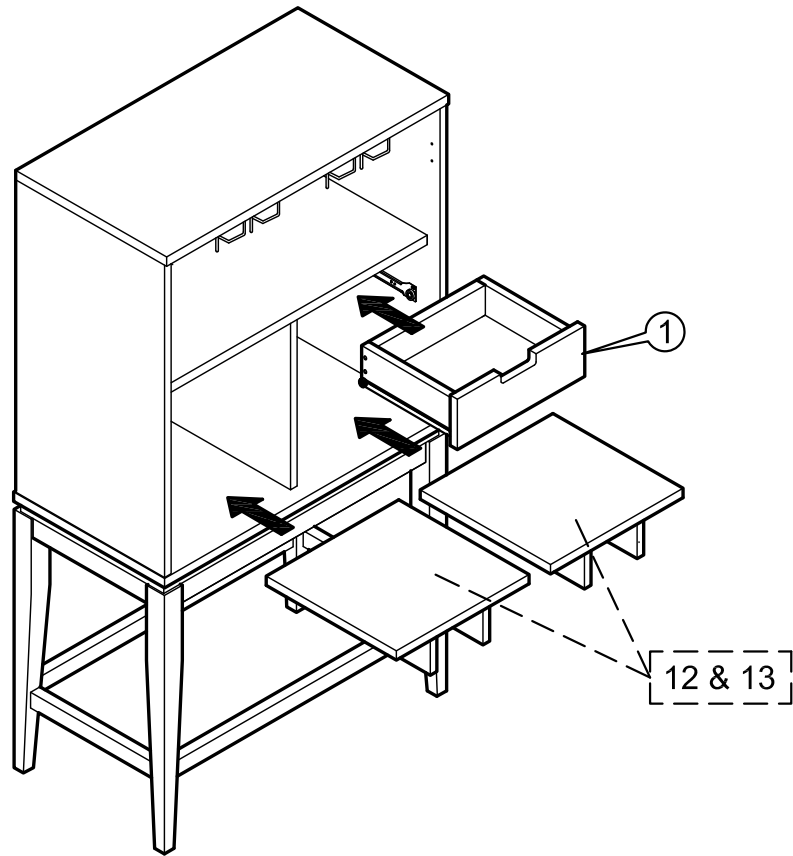


12

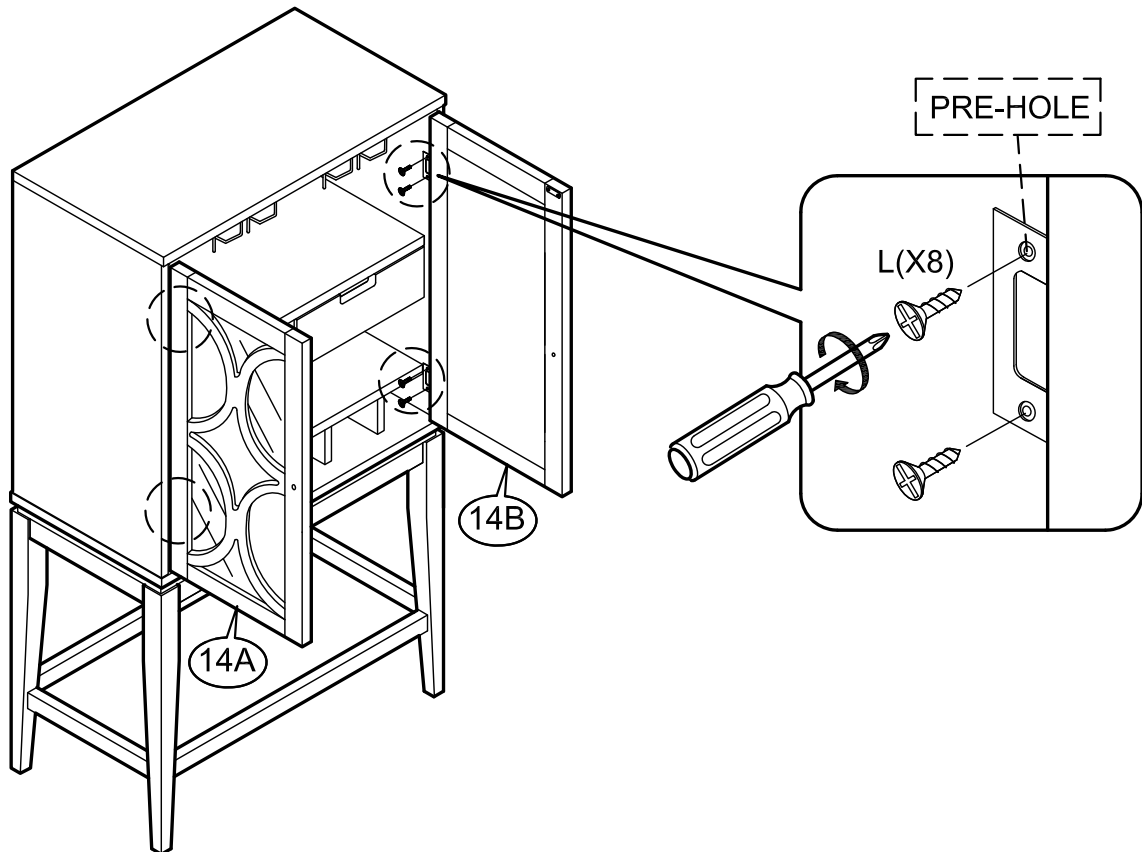




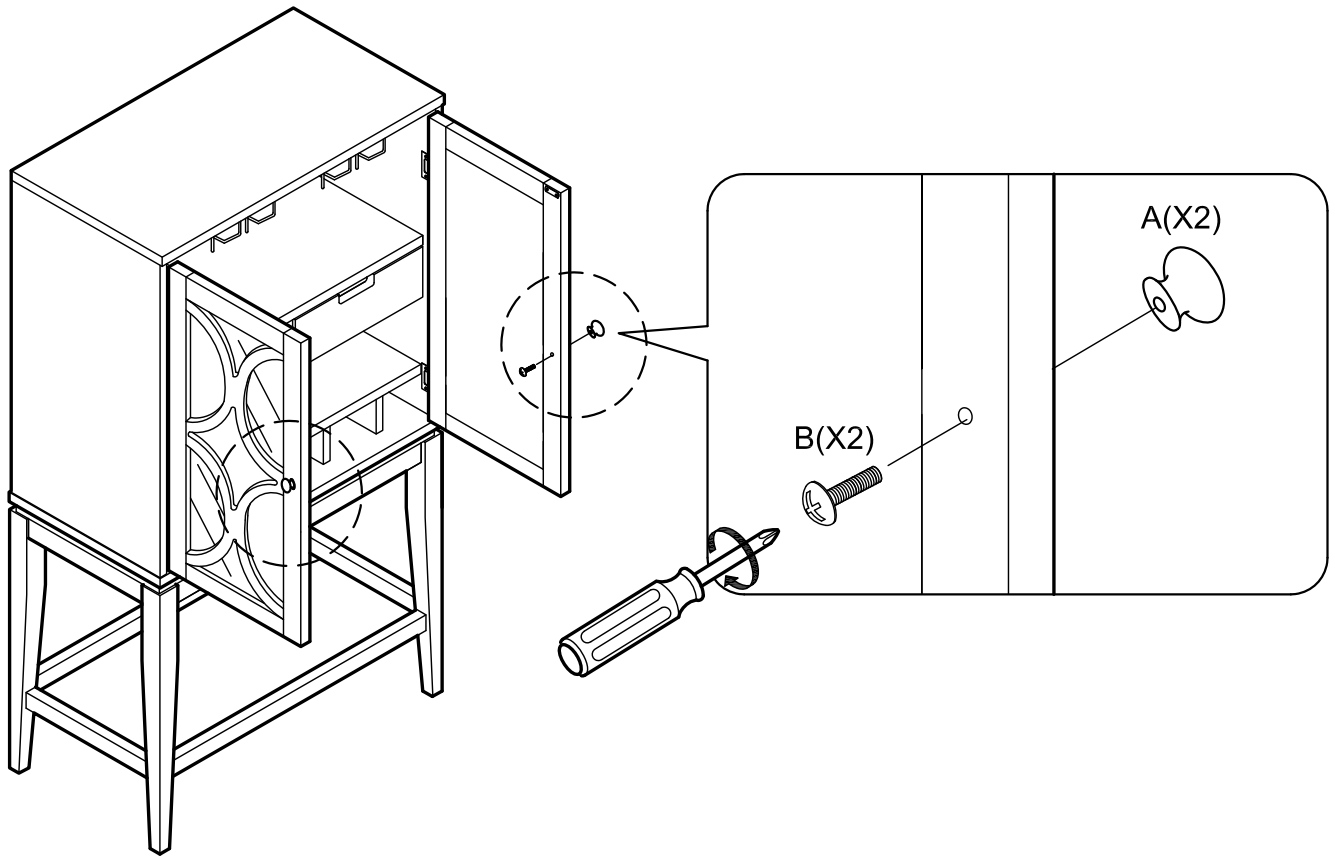
13



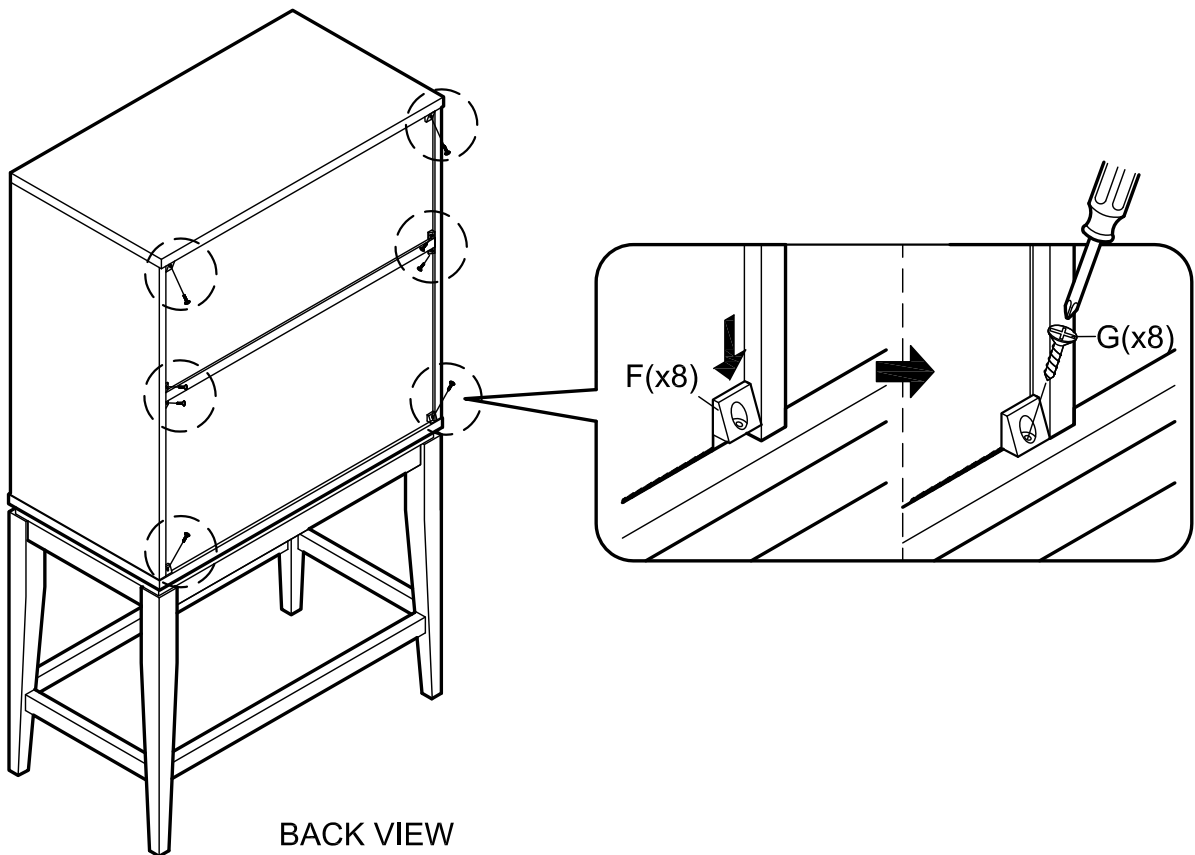
14



15



16



## ANTI-TIPPING WITH METAL STRAPE ( 2 SET )

Metal Bracket



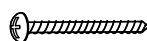
( 2 X 2SET )

Cabinet Restraint Strap



( 1 X 2SET )

Pan Head Screw ( Long )



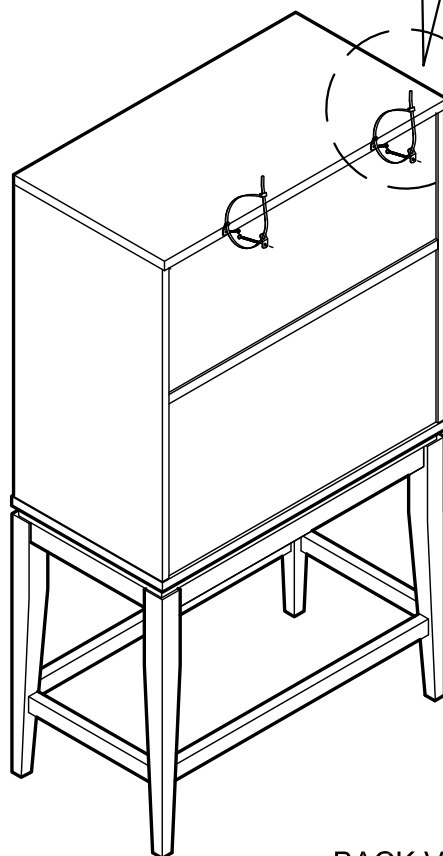
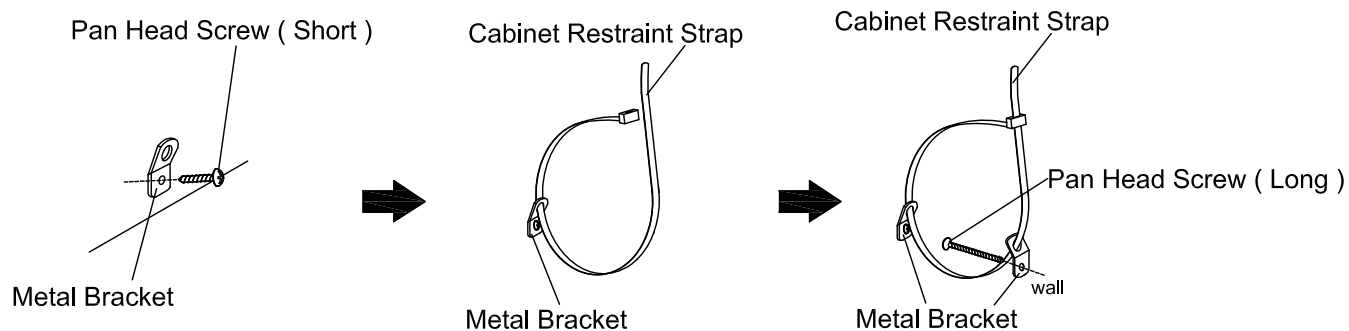
( 1 X 2SET )

Pan Head Screw ( Short )



( 1 X 2SET )

1. Place the furniture into position so both mounting brackets are vertically in line.
2. Lace the end of the Cabinet Restraint Strap through the larger mounting position in each mounting bracket.  
Bring both ends together and slide the flat end through the locking end and draw it through until all slack is removed.
3. Confirm that the Cabinet Restraint Strap is securely laced and locked.



BACK VIEW