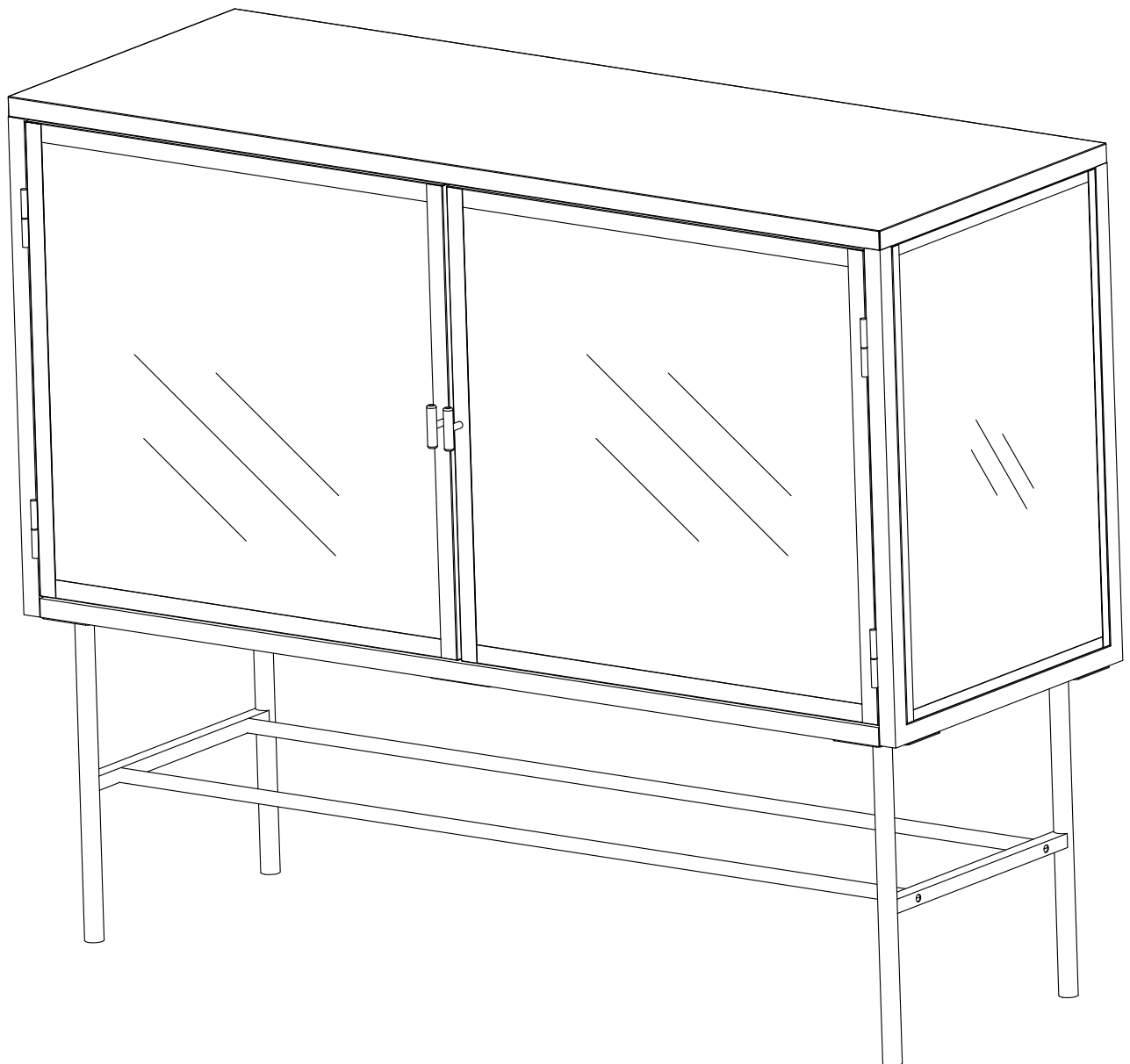
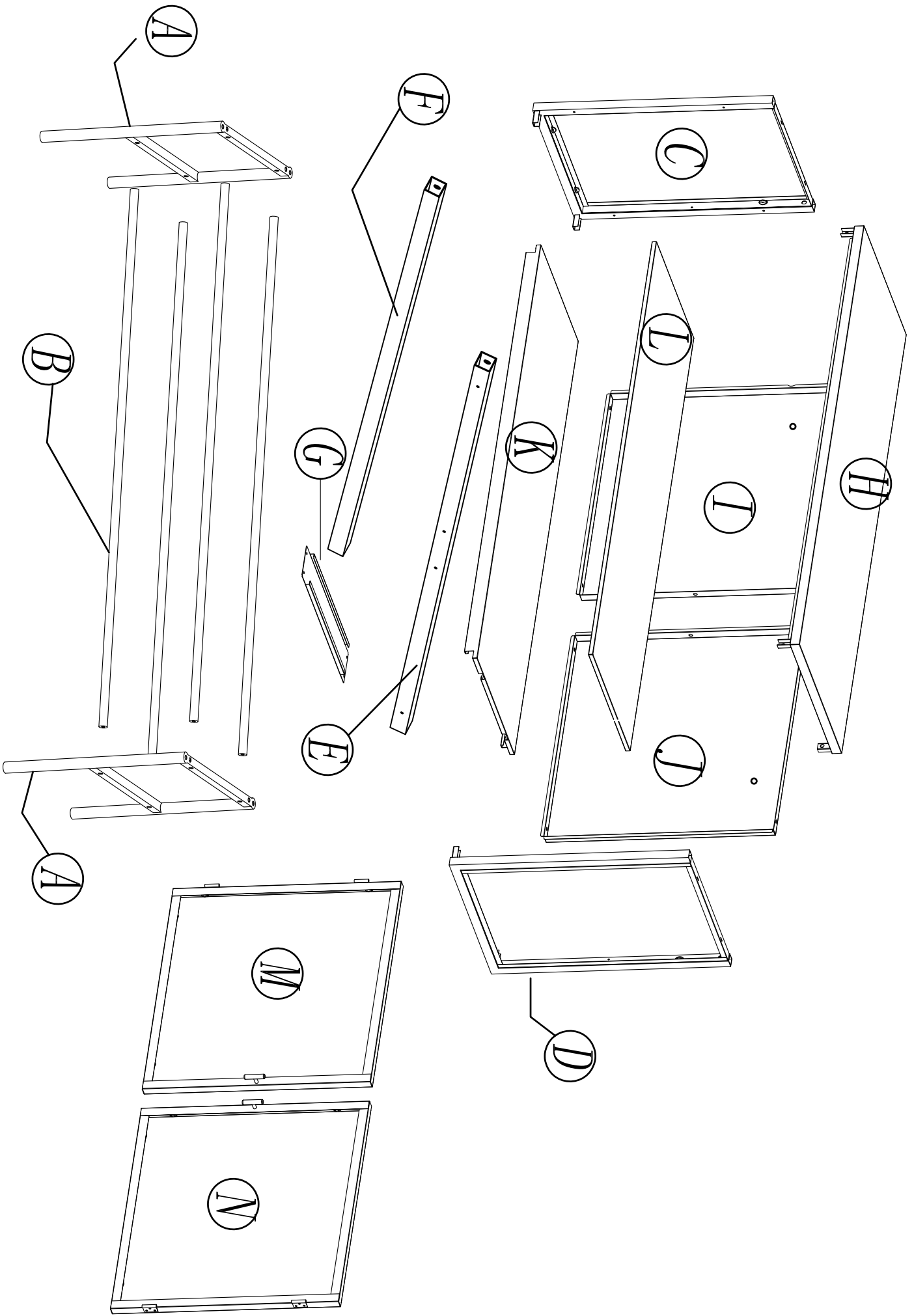


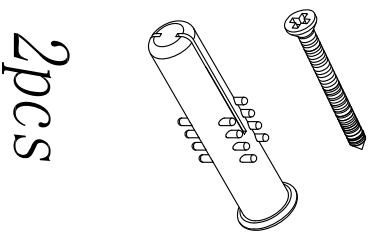
Assembly Instructions

W68743731



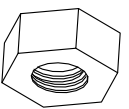


a



2pcs

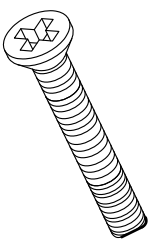
e



M6

1pcs

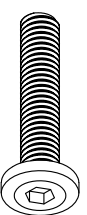
i



M4*25

2pcs

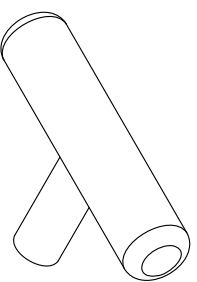
b



M6*30

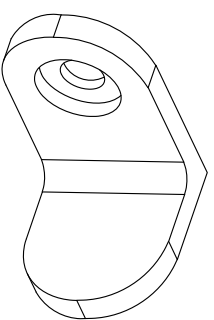
8pcs

f



2pcs

j



4pcs

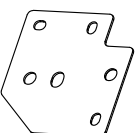
c



M5*12

24pcs

g



4pcs

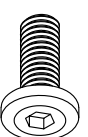
m



M4*10

4pcs

d



M6*10

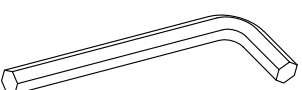
17pcs

h



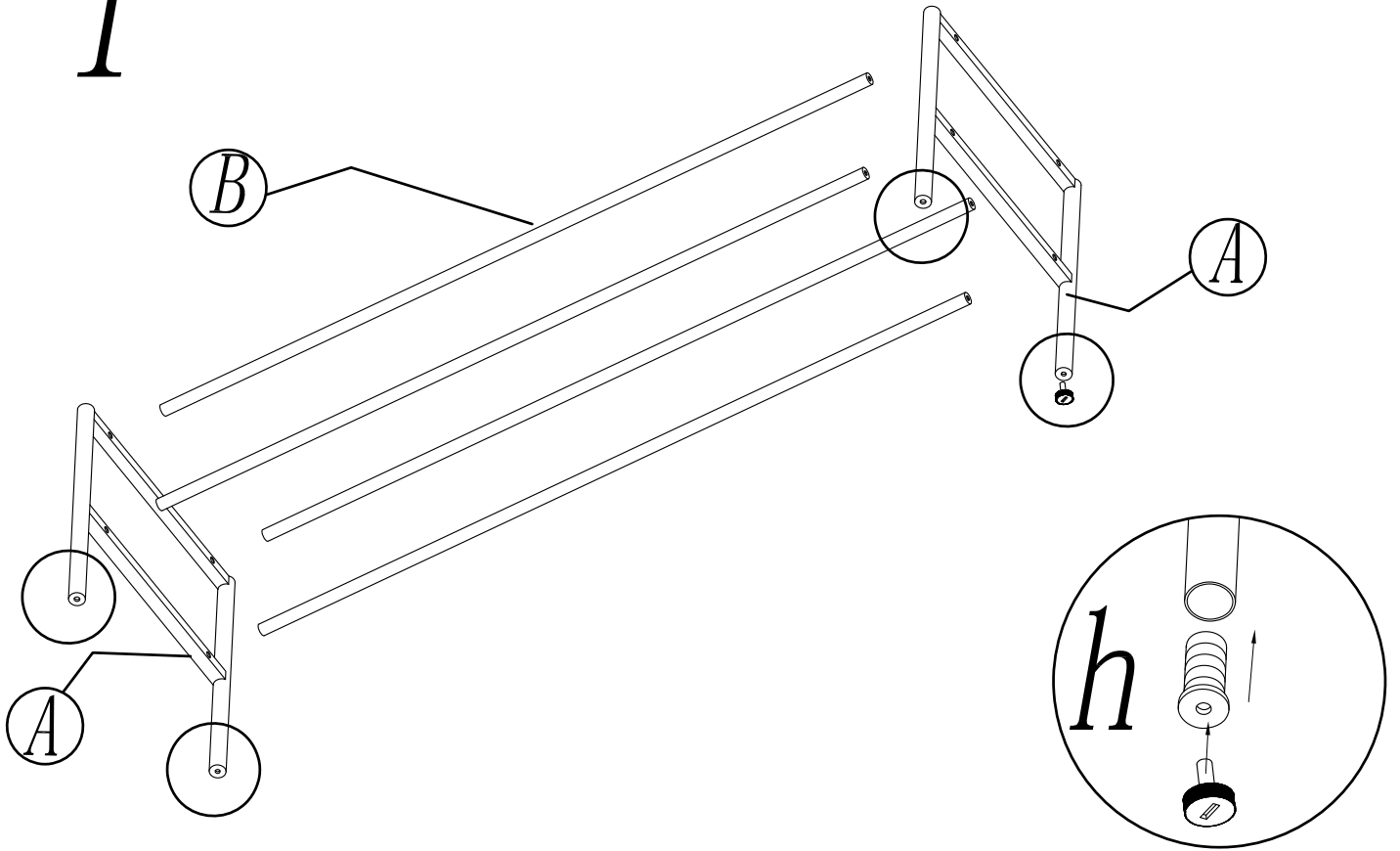
4pcs

n



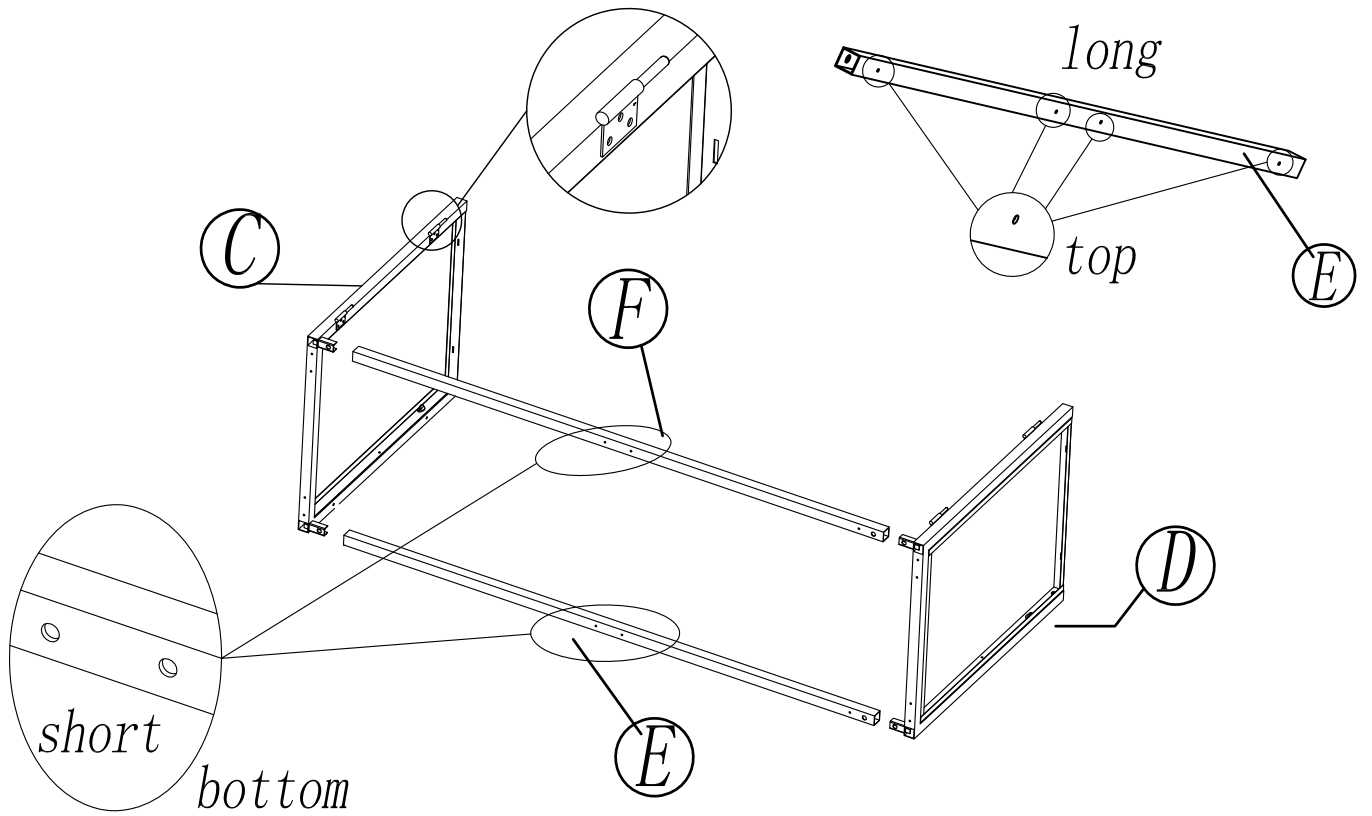
1pcs

1

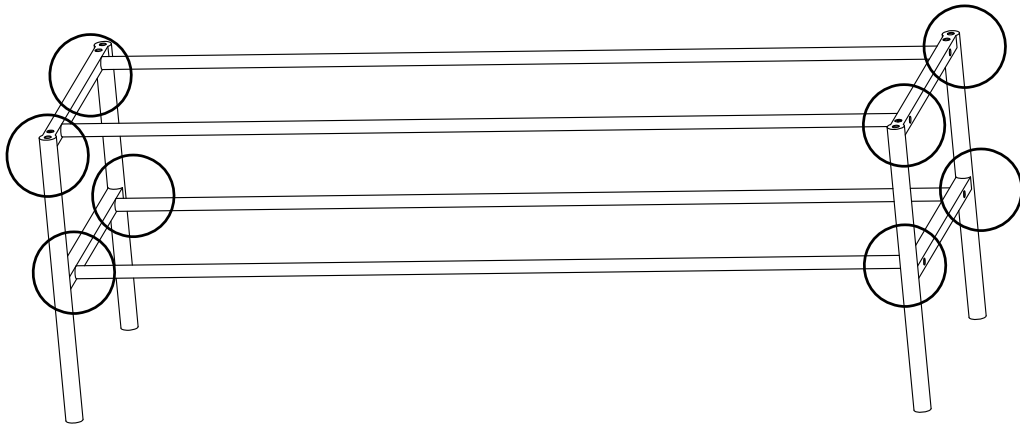
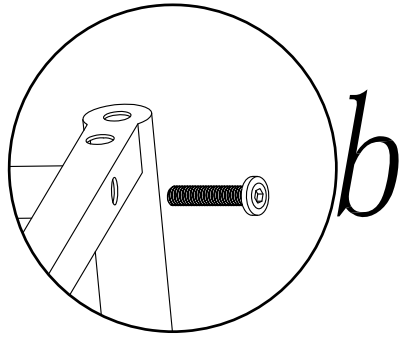


$h*4$

3



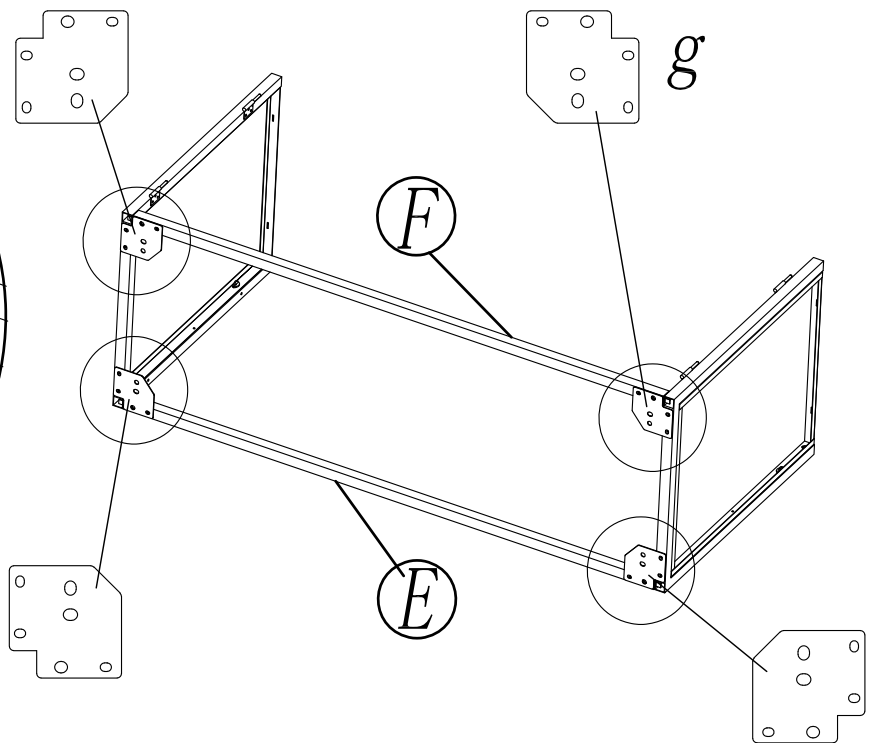
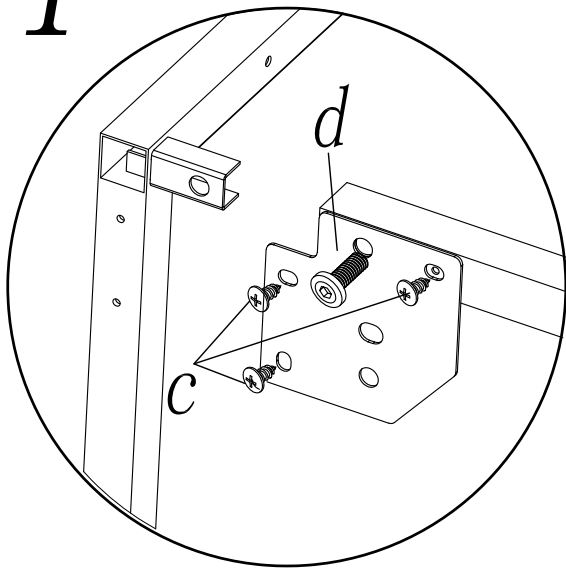
2



$b*8$

$n*1$

4



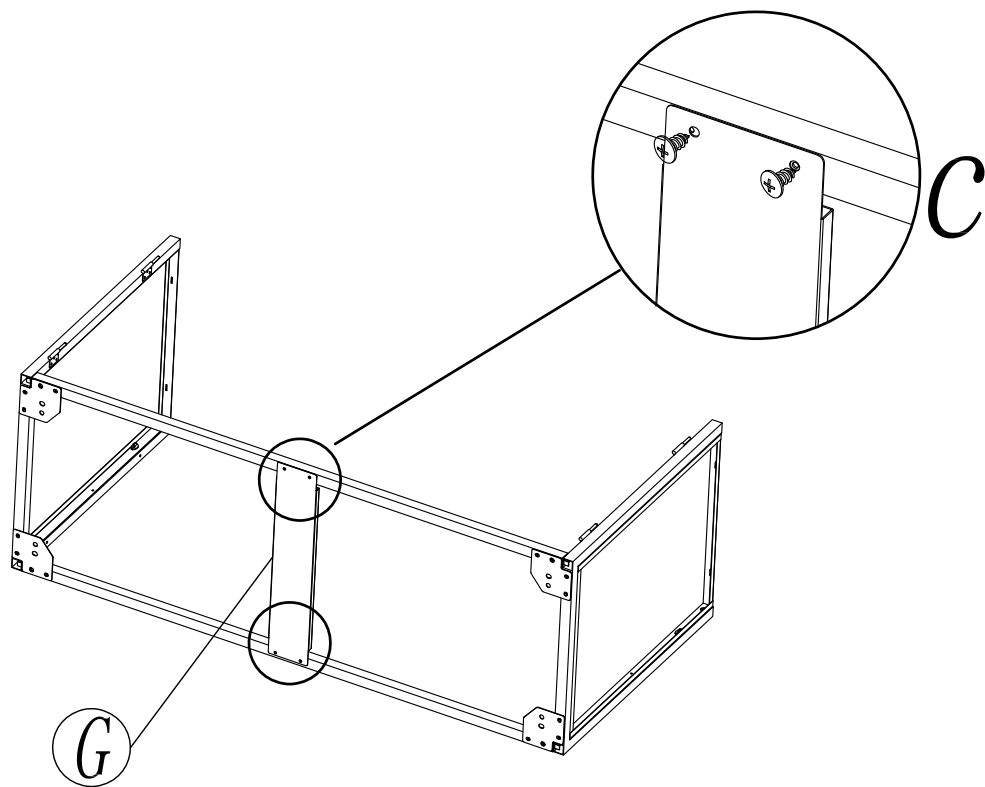
$c*12$

$d*4$

$n*1$

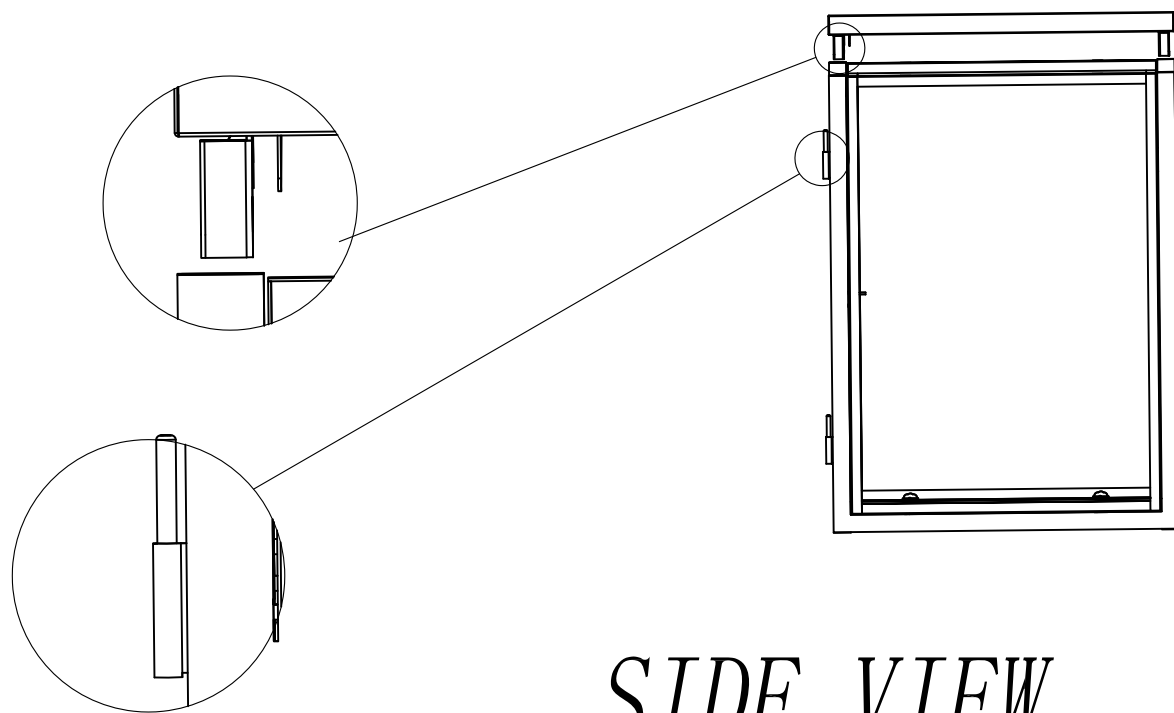
$g*4$

5



*c*4*

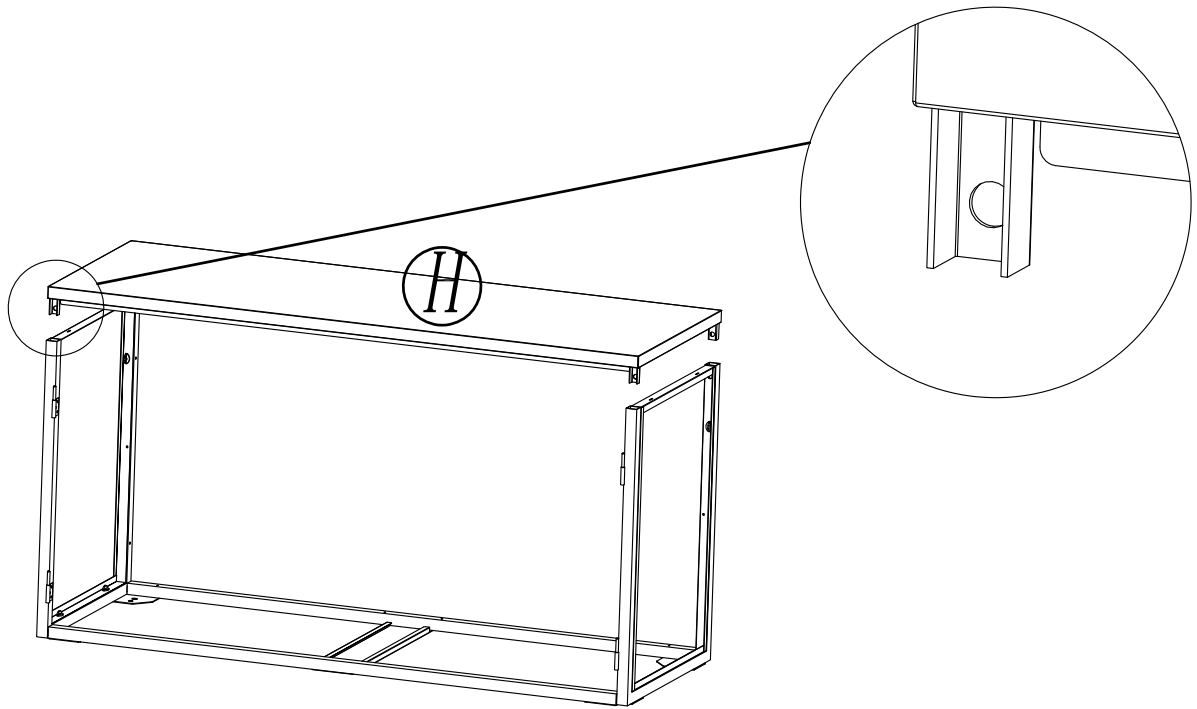
7



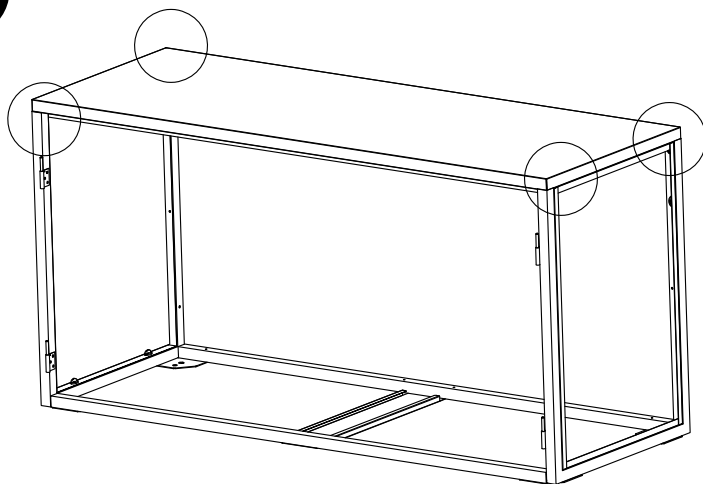
SIDE VIEW

6

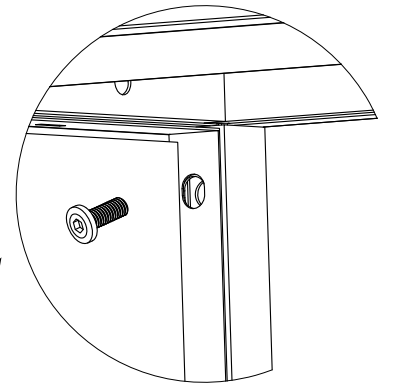
FRONT



8

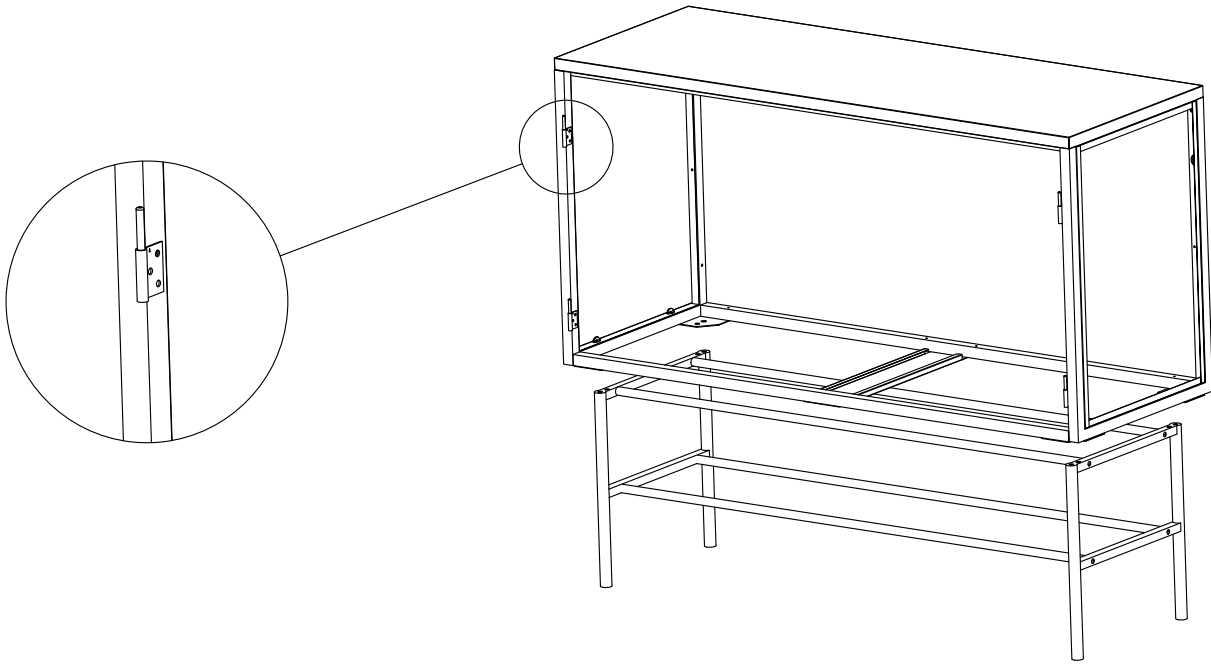
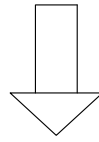


d

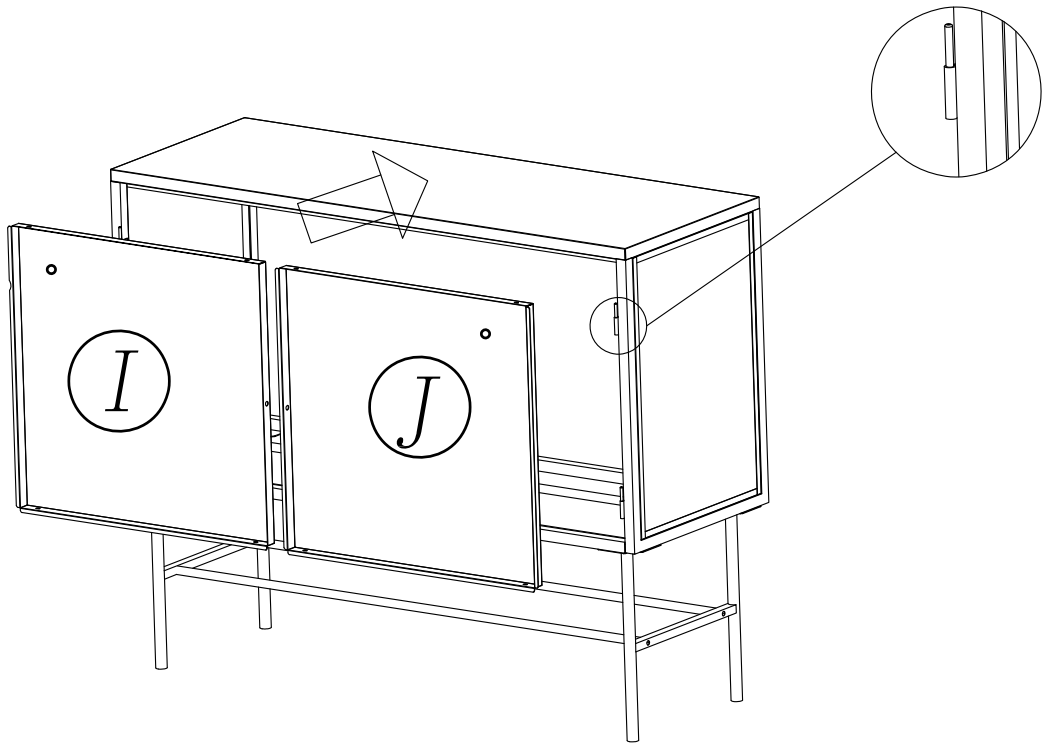


$d*4$ $n*1$

9

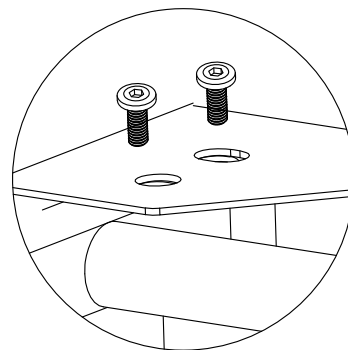
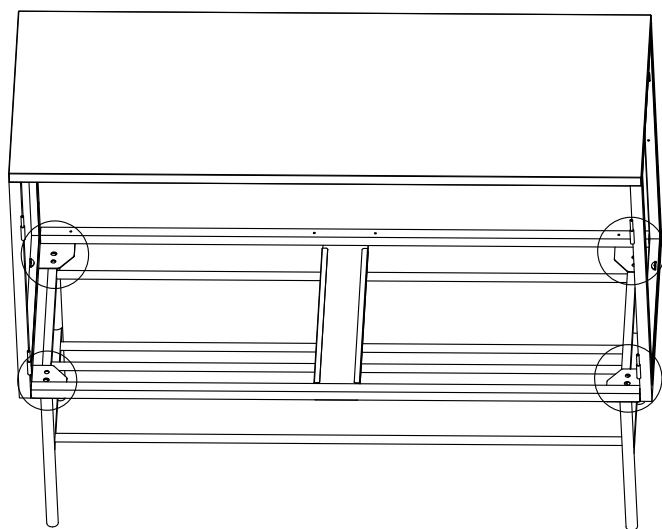


11



10

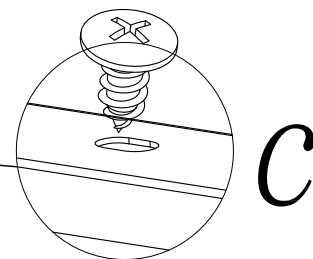
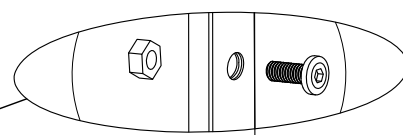
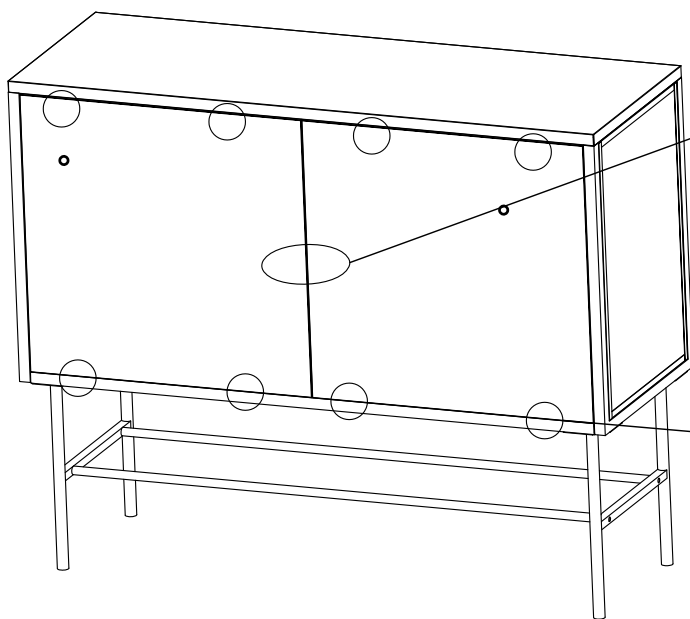
$d*2-4$



$d*8$ $n*1$

12

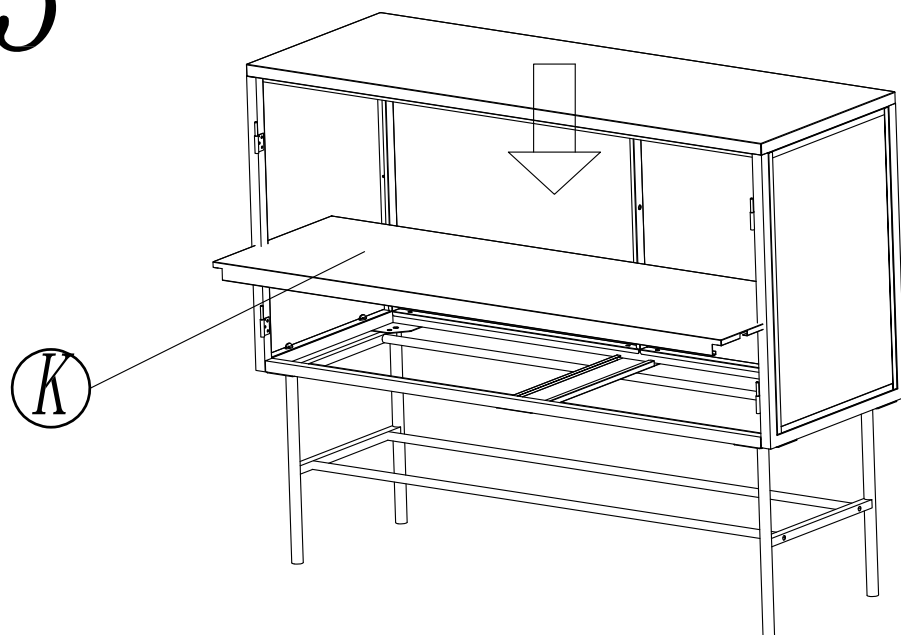
d/e



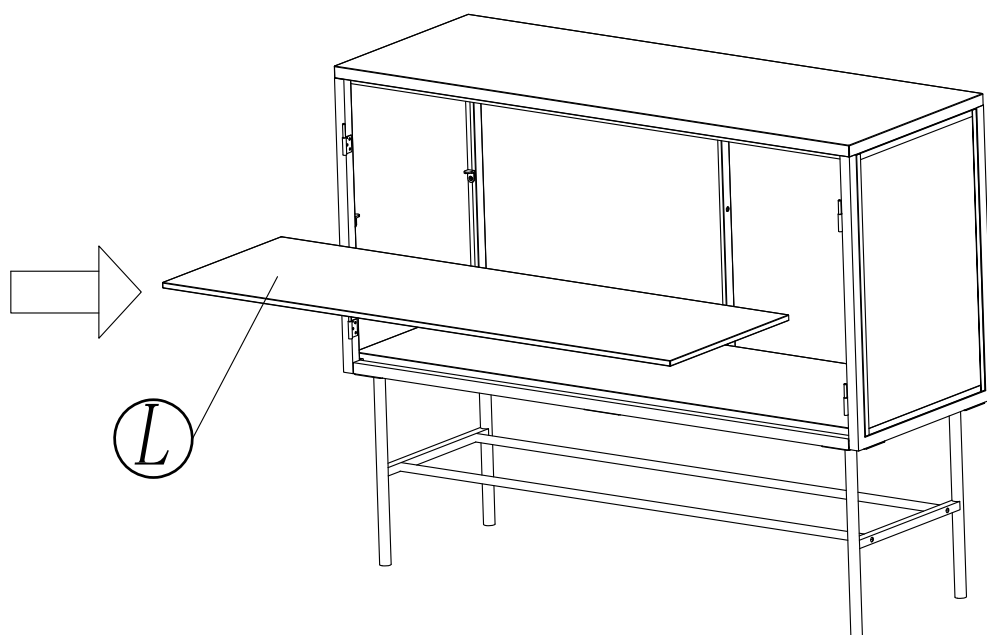
c

$c*8$ $d*1$ $e*1$ $n*1$

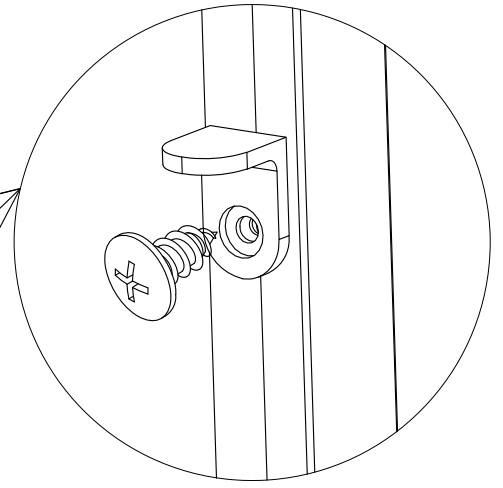
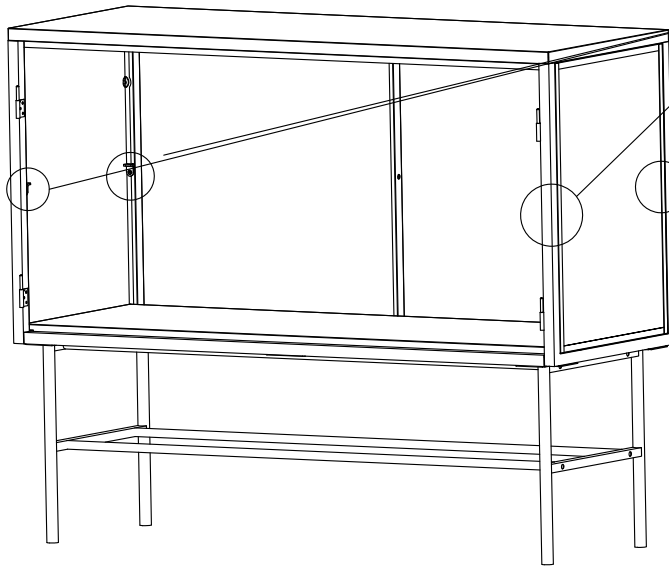
13



15



14



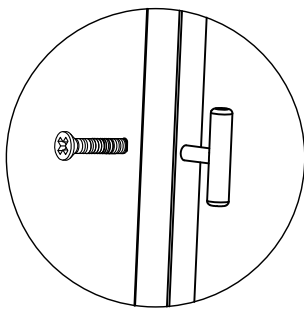
j/m

*m*4*

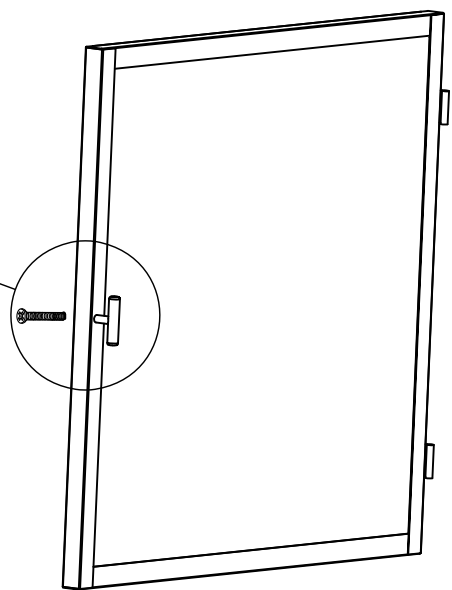
*j*4*

16

i



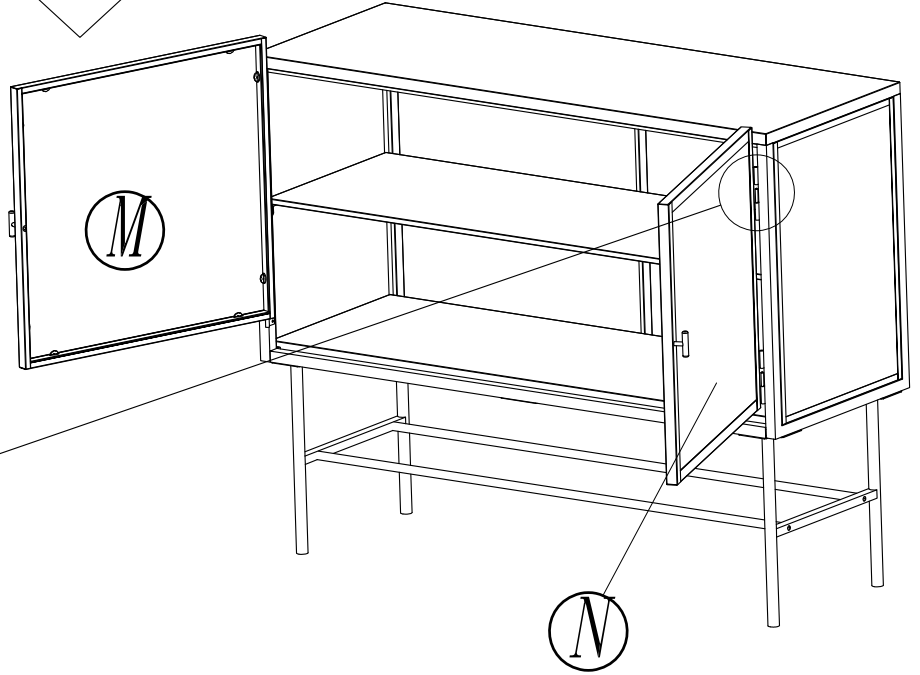
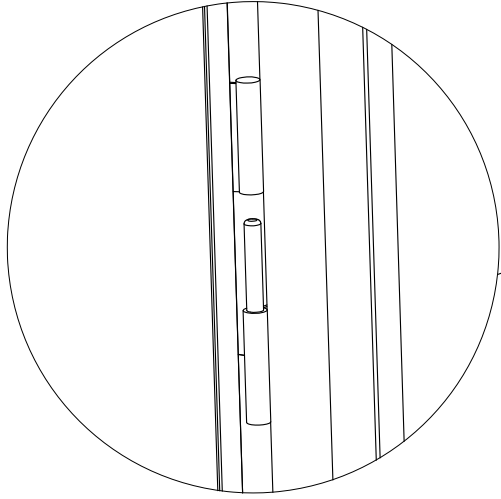
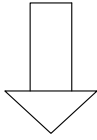
f



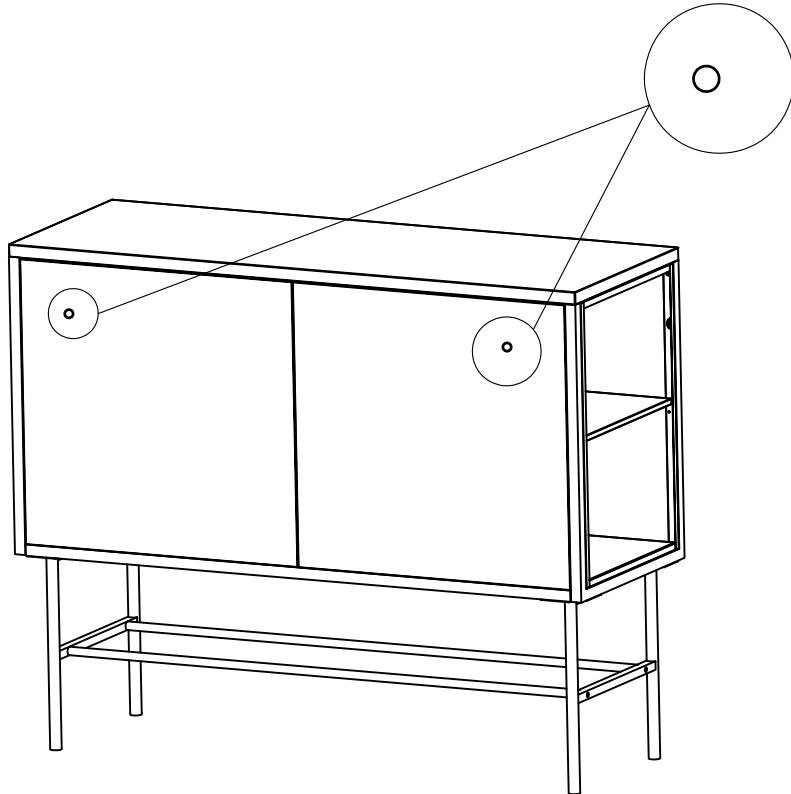
*i*2*

*f*2*

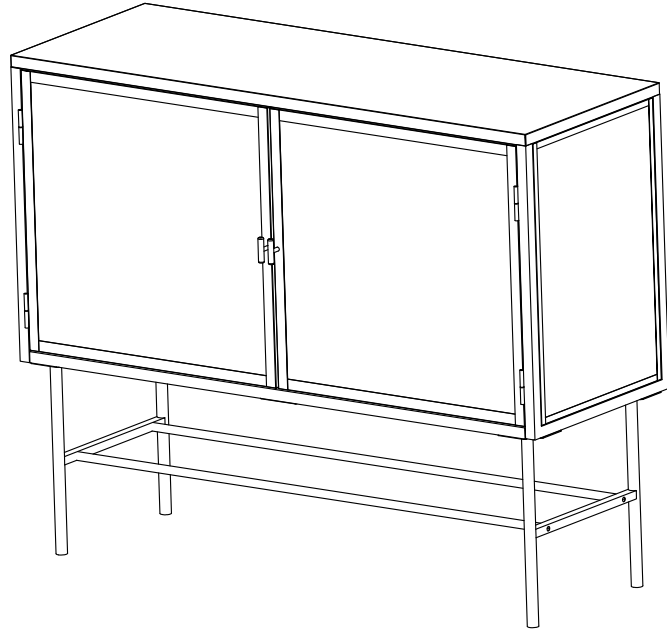
17



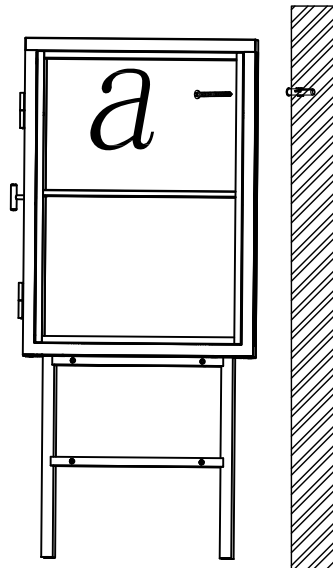
19



18



20



$a*2$