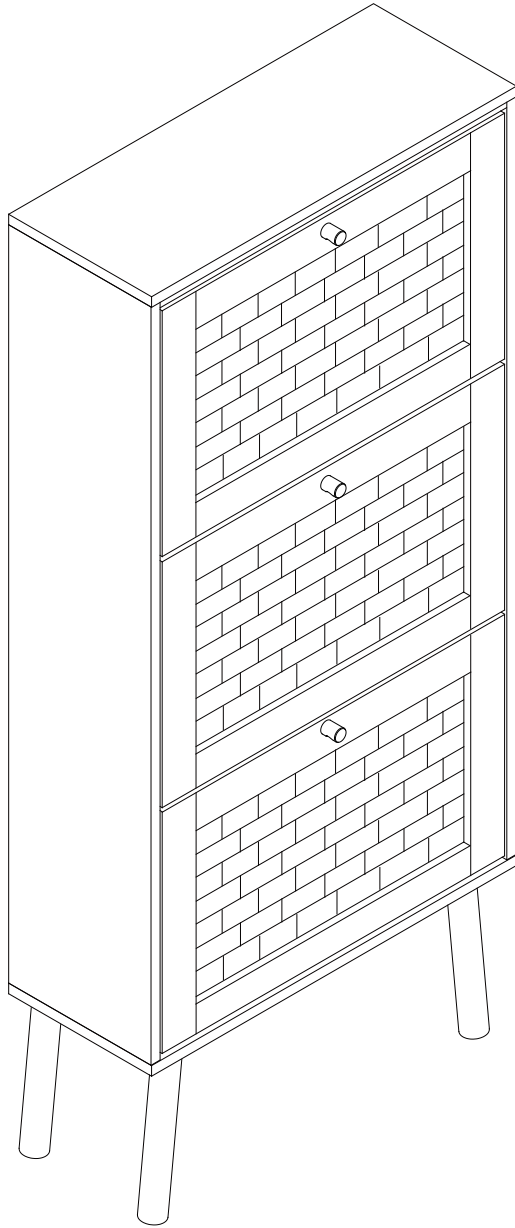


# Installation Instruction



Product name

---

**3 Door Shoe Rack**

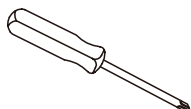
Ver.1.0 20240308

# Assembling

# What 's included

## What you need

- Use the packaging carton as a working surface to prevent product damage during assembly
- Phillips head screwdriver



## Weight Limitation



**40** | **11**  
lbs table top | lbs per shelf



2 PERSONS

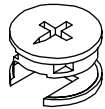
Code	Description	Qty
A	Cam Bolt M6X35MM	12
B	Cam Lock 15X10MM	12
C	Wooden Dowel 6X30MM	8
D	Screw M4X35MM	4
E	Screw M4X14MM	22
F	Metal Plate	2
G	Handle	3
H	Anchor M6X30MM	2
I	Screw M4X14MM	36
J	Inner Shaft	6
K	Metal Pin	4
L	Left Plastic Holder	3
M	Plastic Stopper	6
N	External Shaft	6
O	Bolt M4X20MM	3
P	Screw M4X40MM	2
Q	Plastic Corner Support	12
R	Right Plastic Holder	3
S	Screw M4X12MM	6
T	Screw M3X16MM	12

# The Hardwares

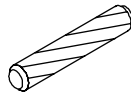
A



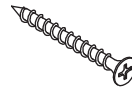
B



C



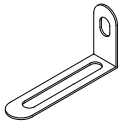
D



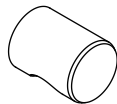
E



F



G



H



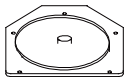
I



J



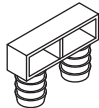
K



L



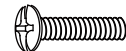
M



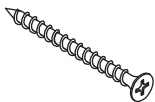
N



O



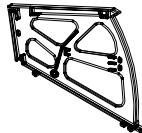
P



Q



R



S



T



## IMPORTANT :

1. Do not tighten bolts / screws completely until all bolts / screws are lined up and inserted into holes.
2. Do not over tighten screws and bolts to avoid stripping.
3. Please use hand tools to assemble this product. Do not use power tools.
4. Must need 2 people to assemble this product.

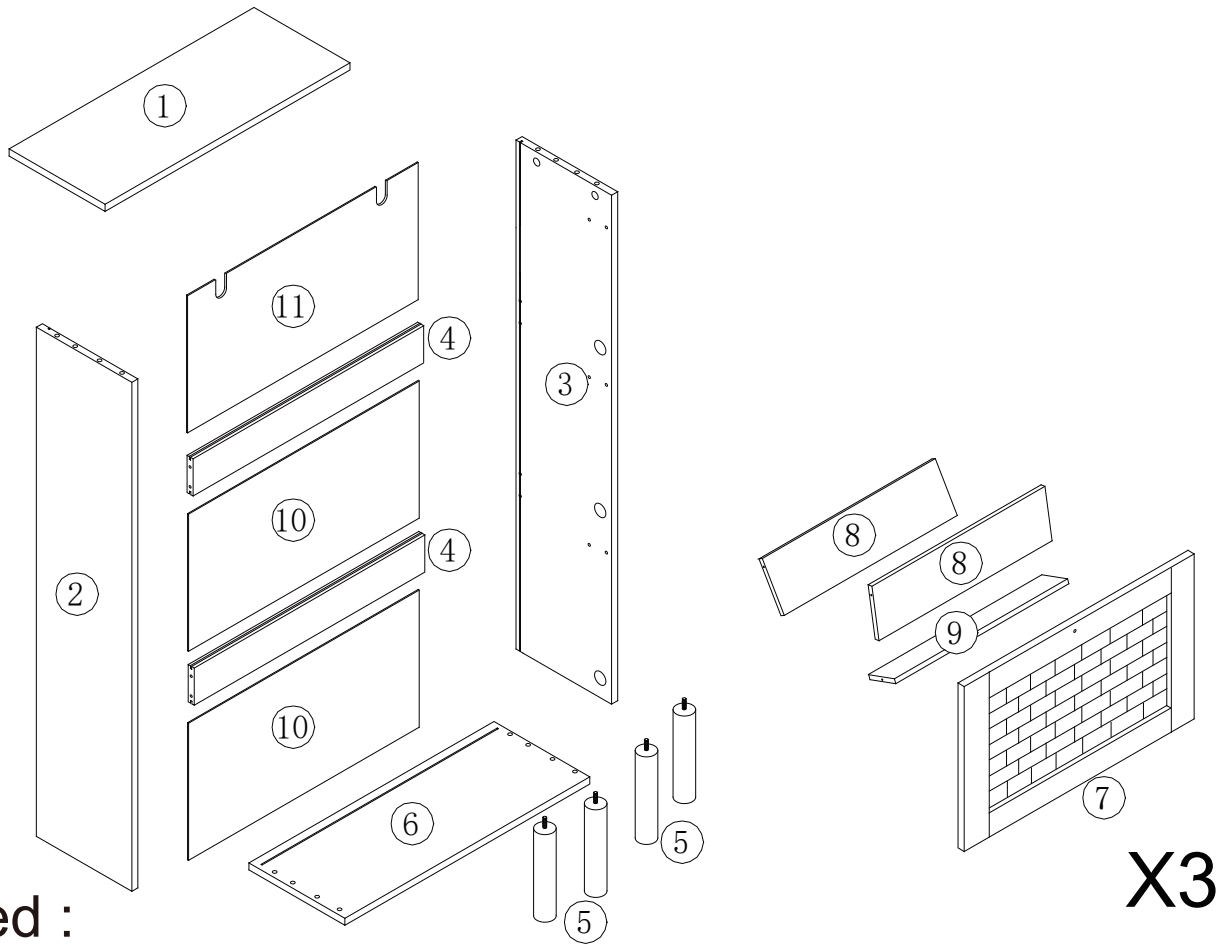


2 PERSONS

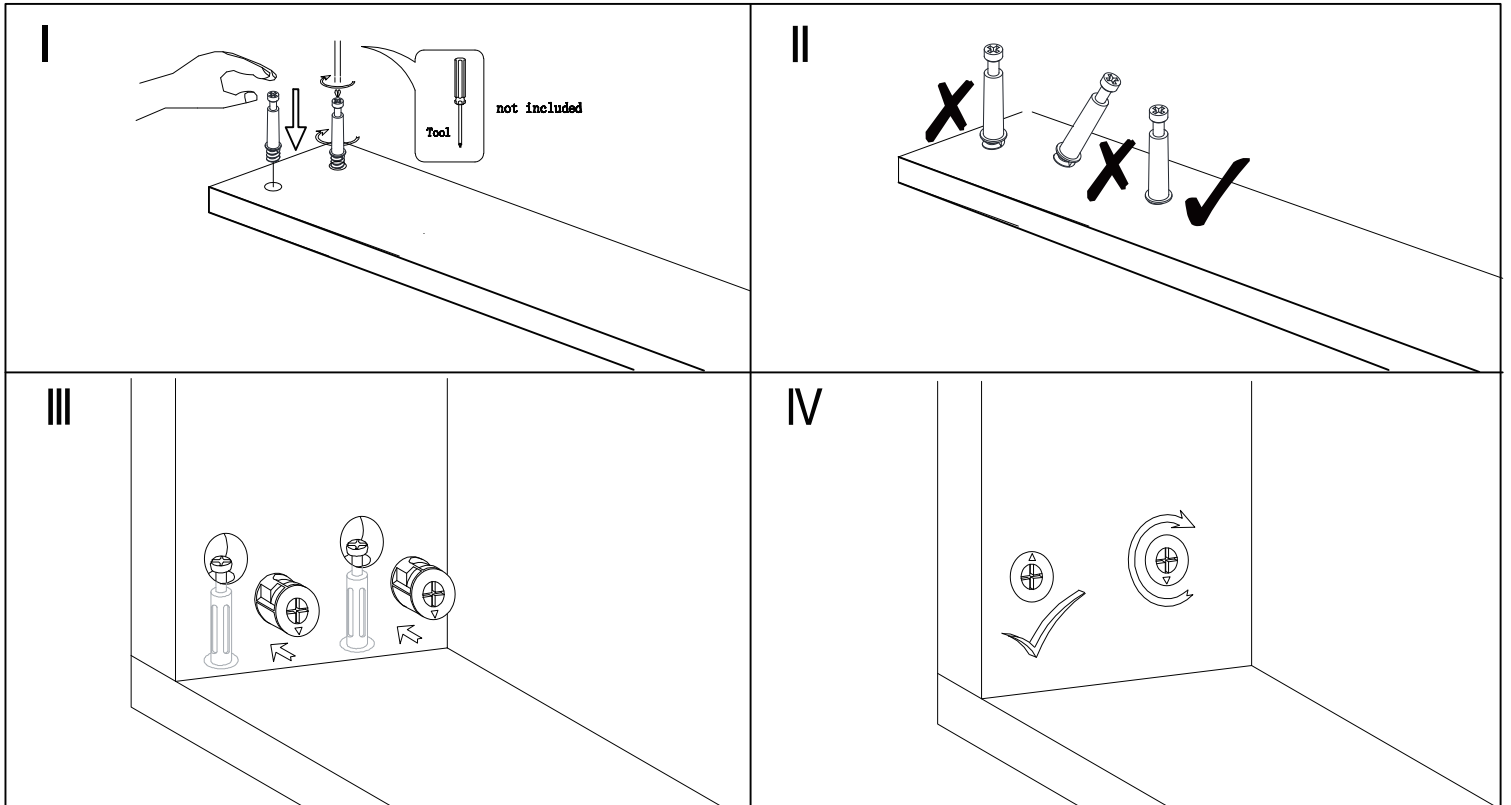
# Included Accessories

<b>Code</b>	<b>Description</b>	<b>Qty</b>
<b>1</b>	<b>Cabinet Top</b>	<b>1</b>
<b>2</b>	<b>Left Side Panel</b>	<b>1</b>
<b>3</b>	<b>Right Side Panel</b>	<b>1</b>
<b>4</b>	<b>Back Stretcher</b>	<b>2</b>
<b>5</b>	<b>Leg</b>	<b>4</b>
<b>6</b>	<b>Bottom Panel</b>	<b>1</b>
<b>7</b>	<b>Front Door Panel</b>	<b>3</b>
<b>8</b>	<b>Large Partition Board</b>	<b>6</b>
<b>9</b>	<b>Small Partition Board</b>	<b>3</b>
<b>10</b>	<b>Back Panel</b>	<b>2</b>
<b>11</b>	<b>Top Back Panel</b>	<b>1</b>

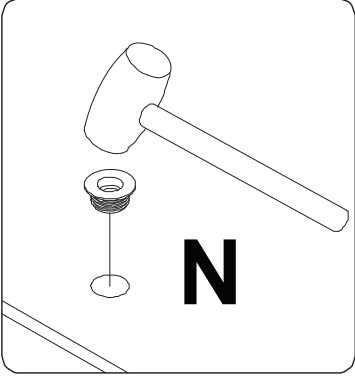
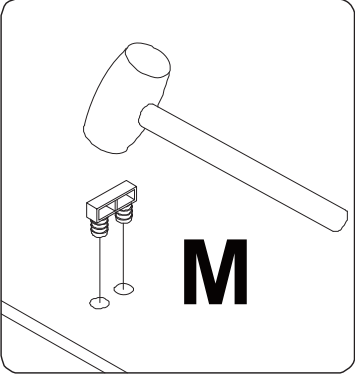
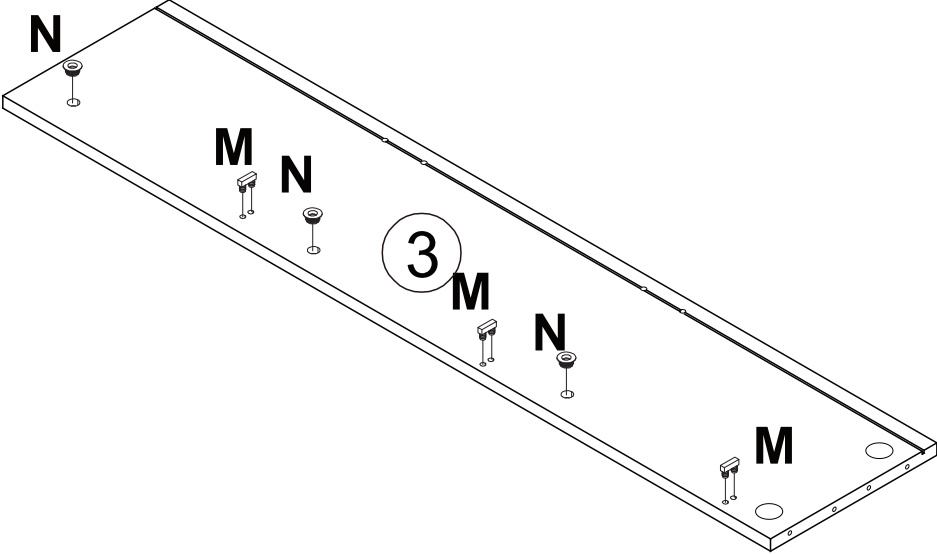
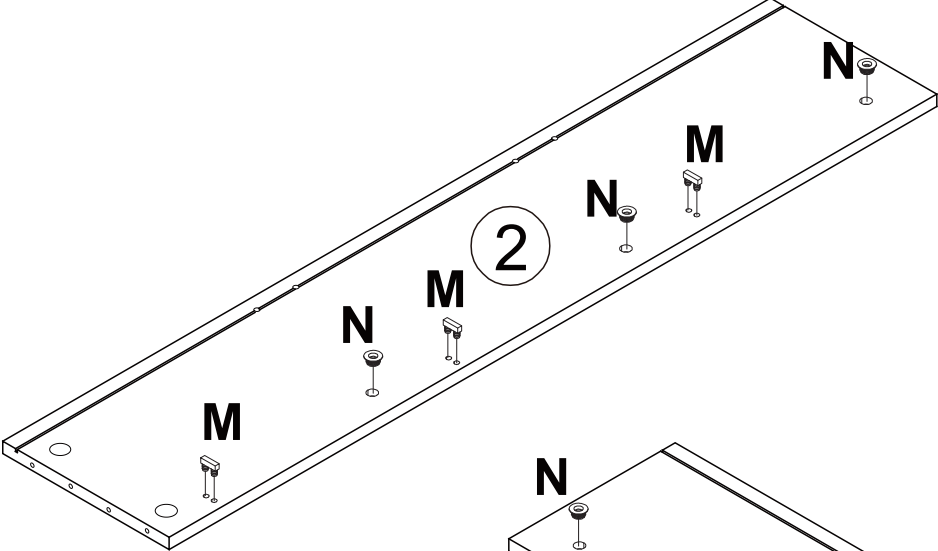
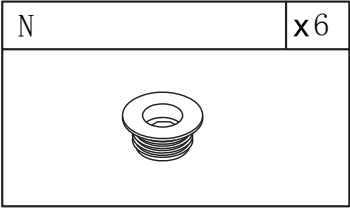
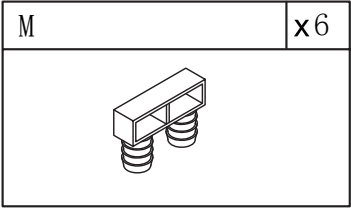
# The Accessories



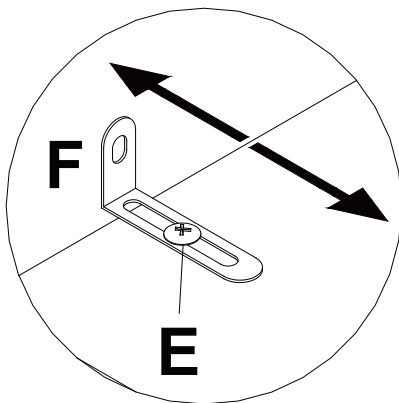
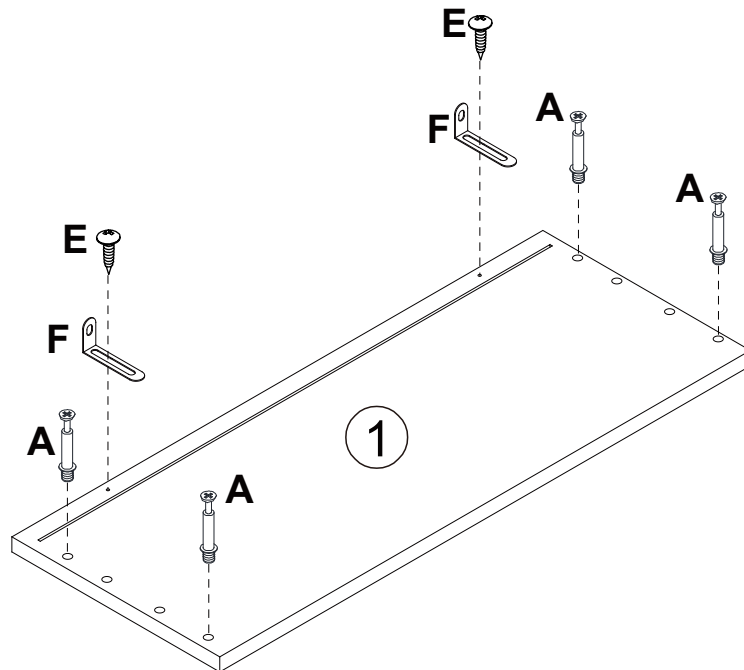
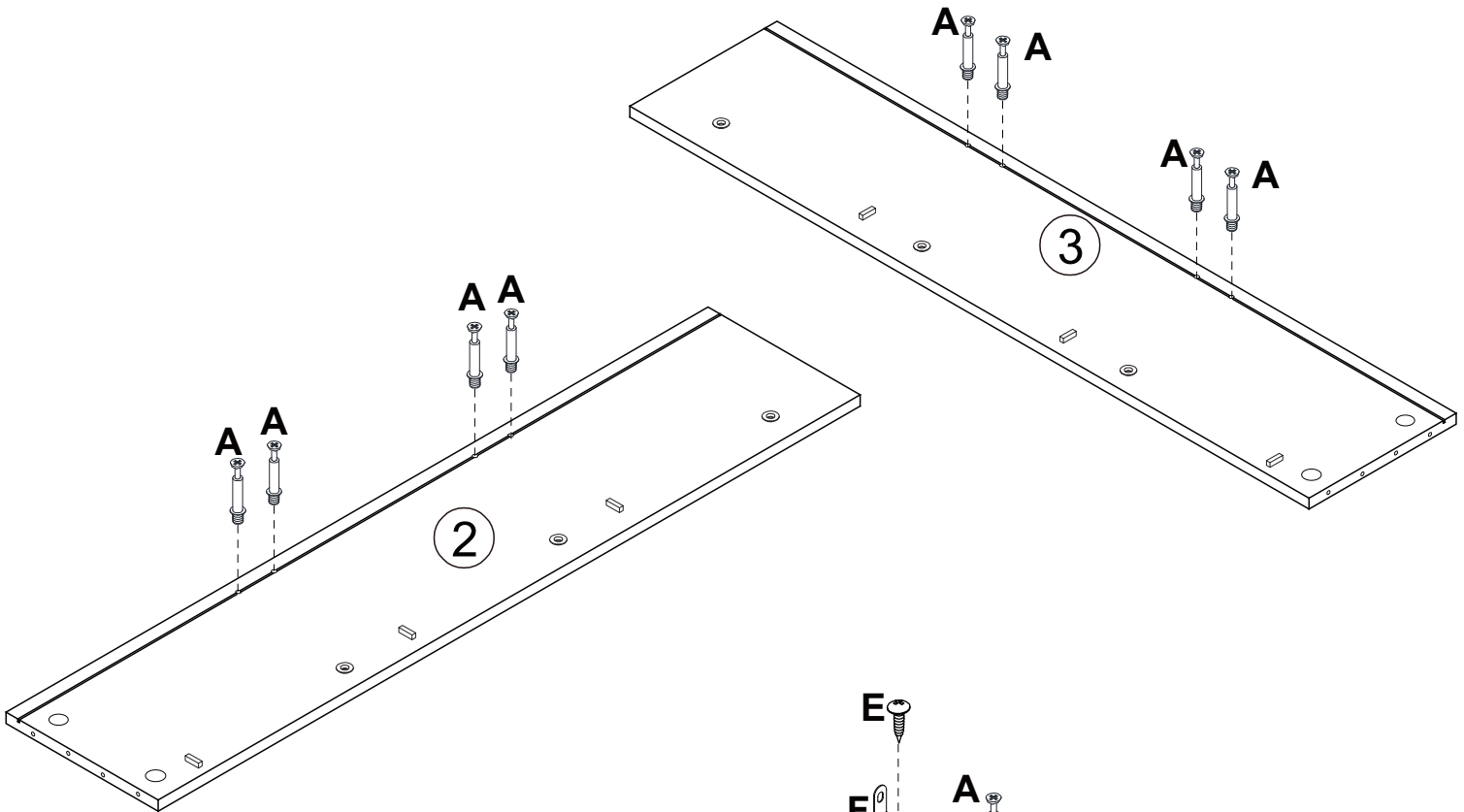
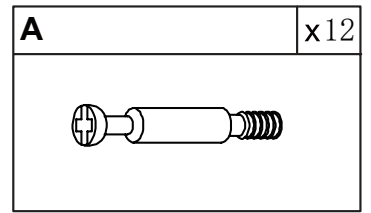
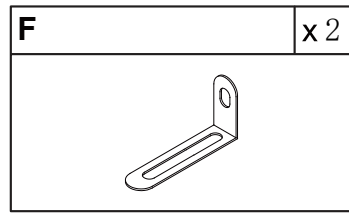
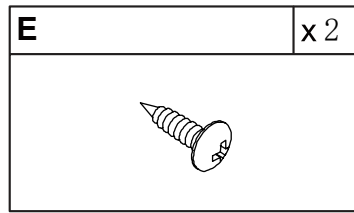
Noted :



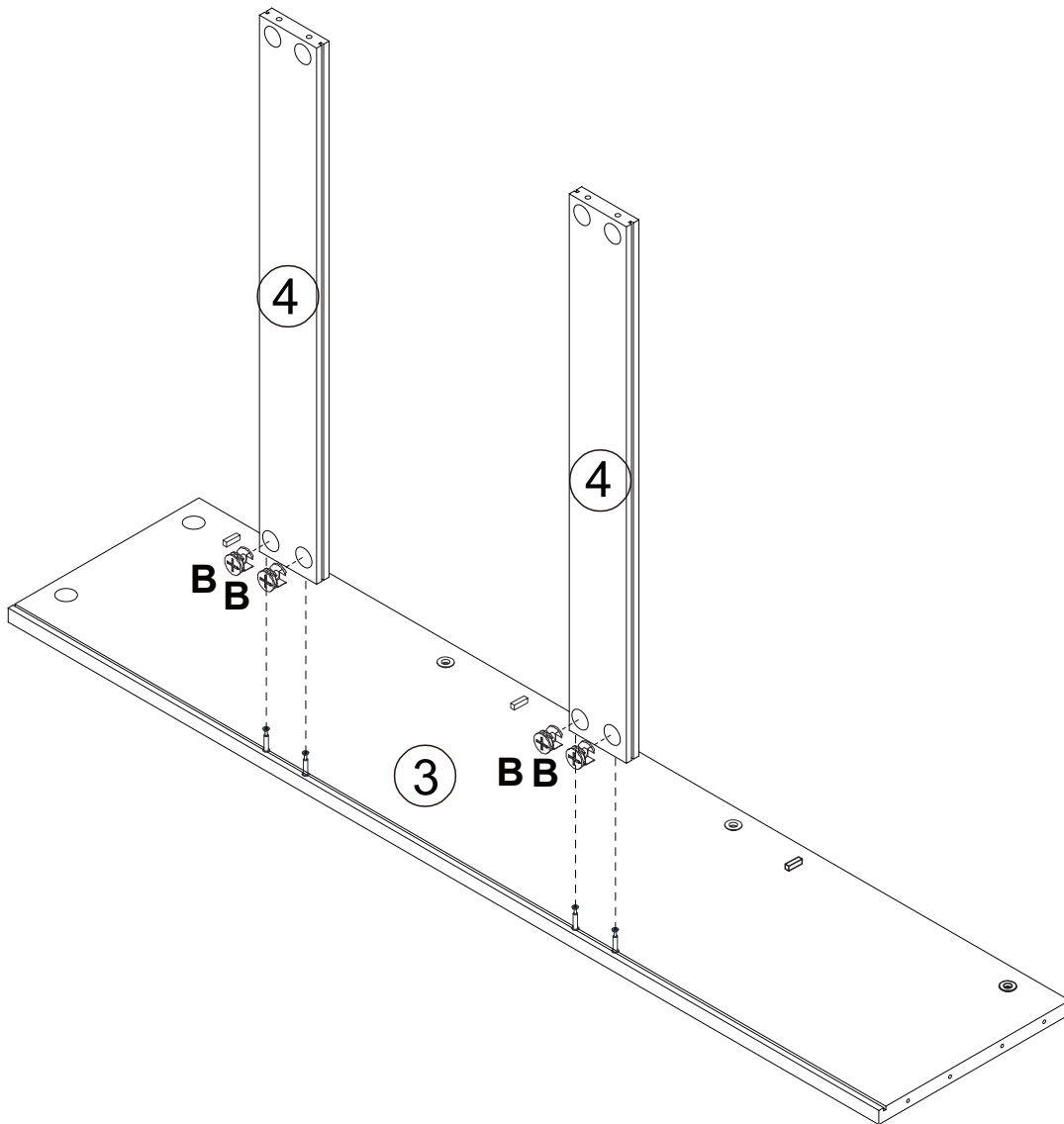
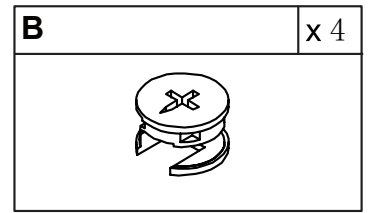
# Step 1



# Step 2

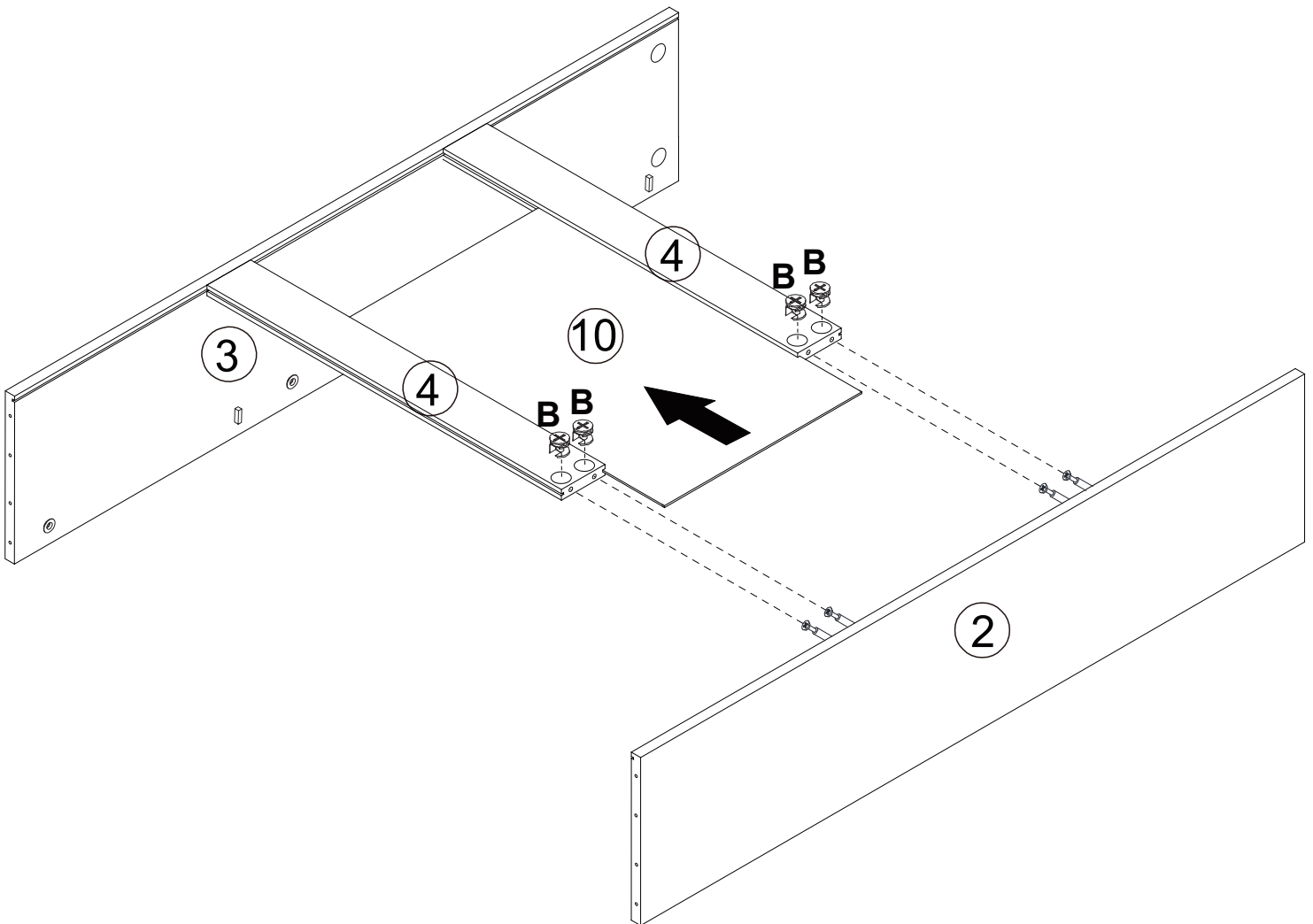
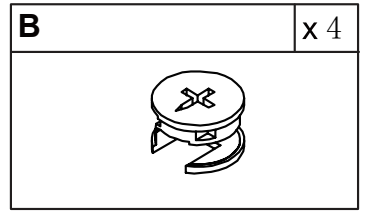


# Step 3




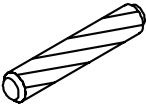


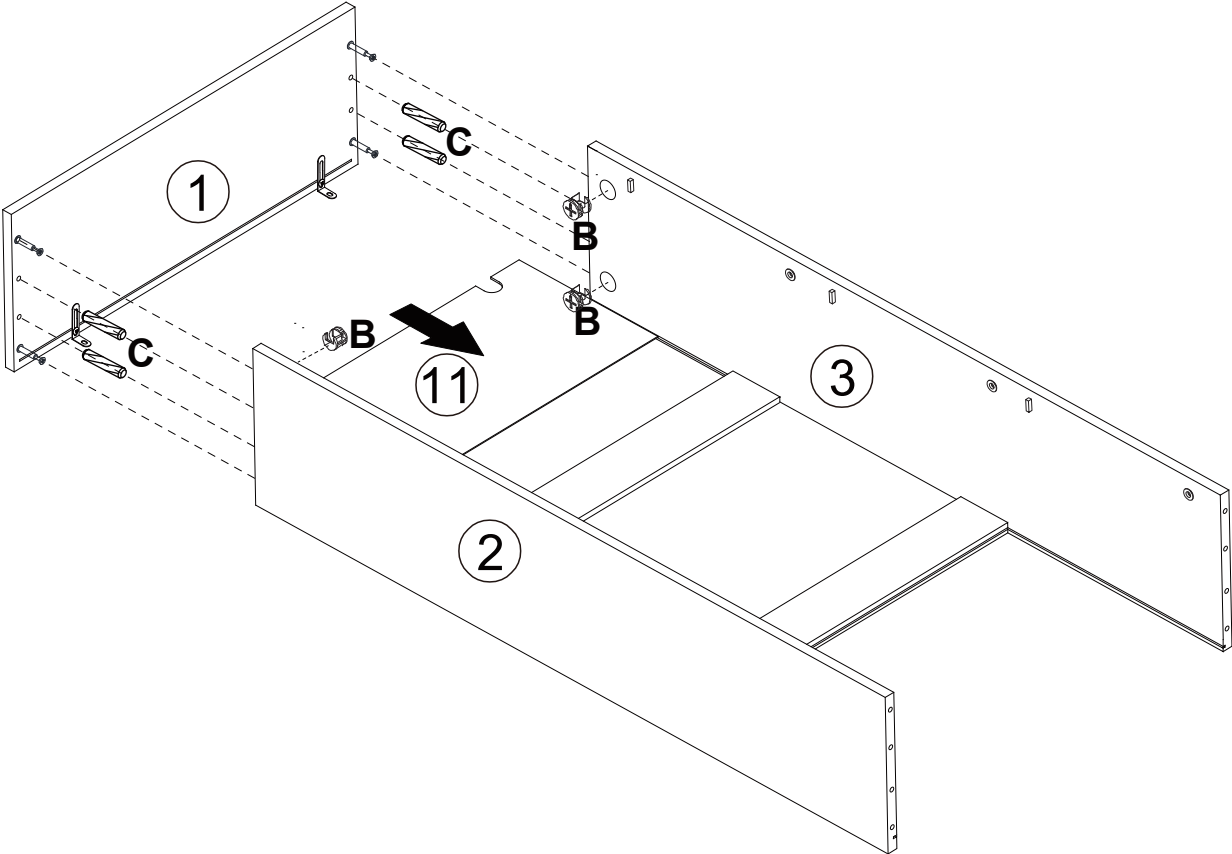
# Step 4



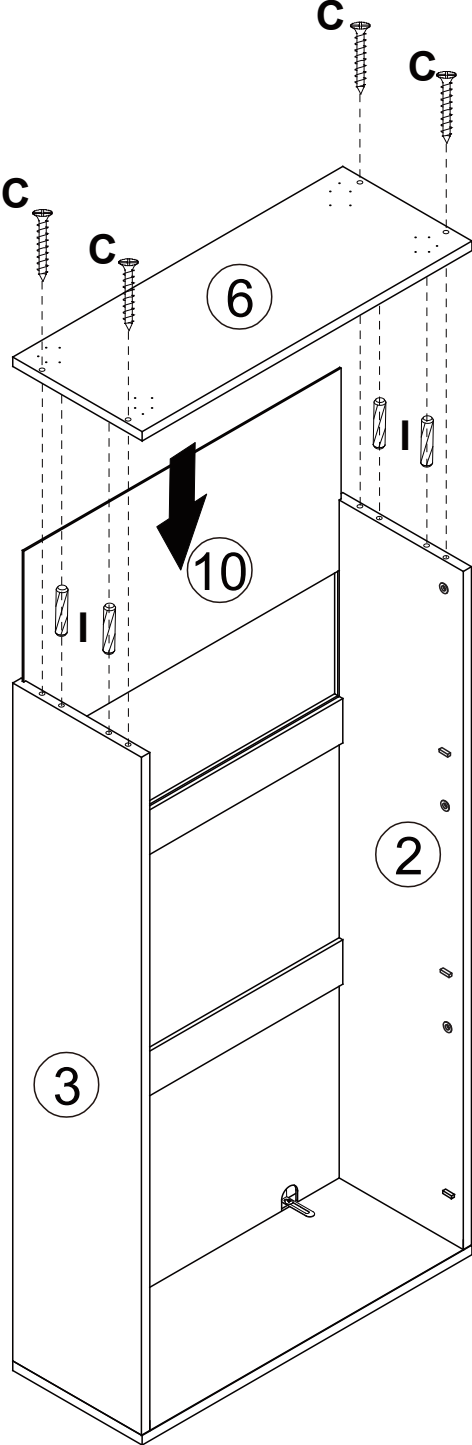
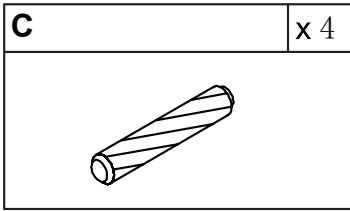
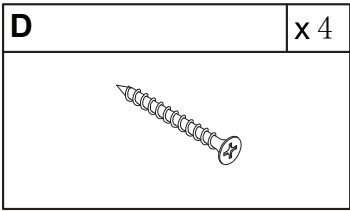
# Step 5

B	x4
	

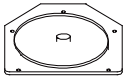
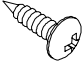
C	x4
	

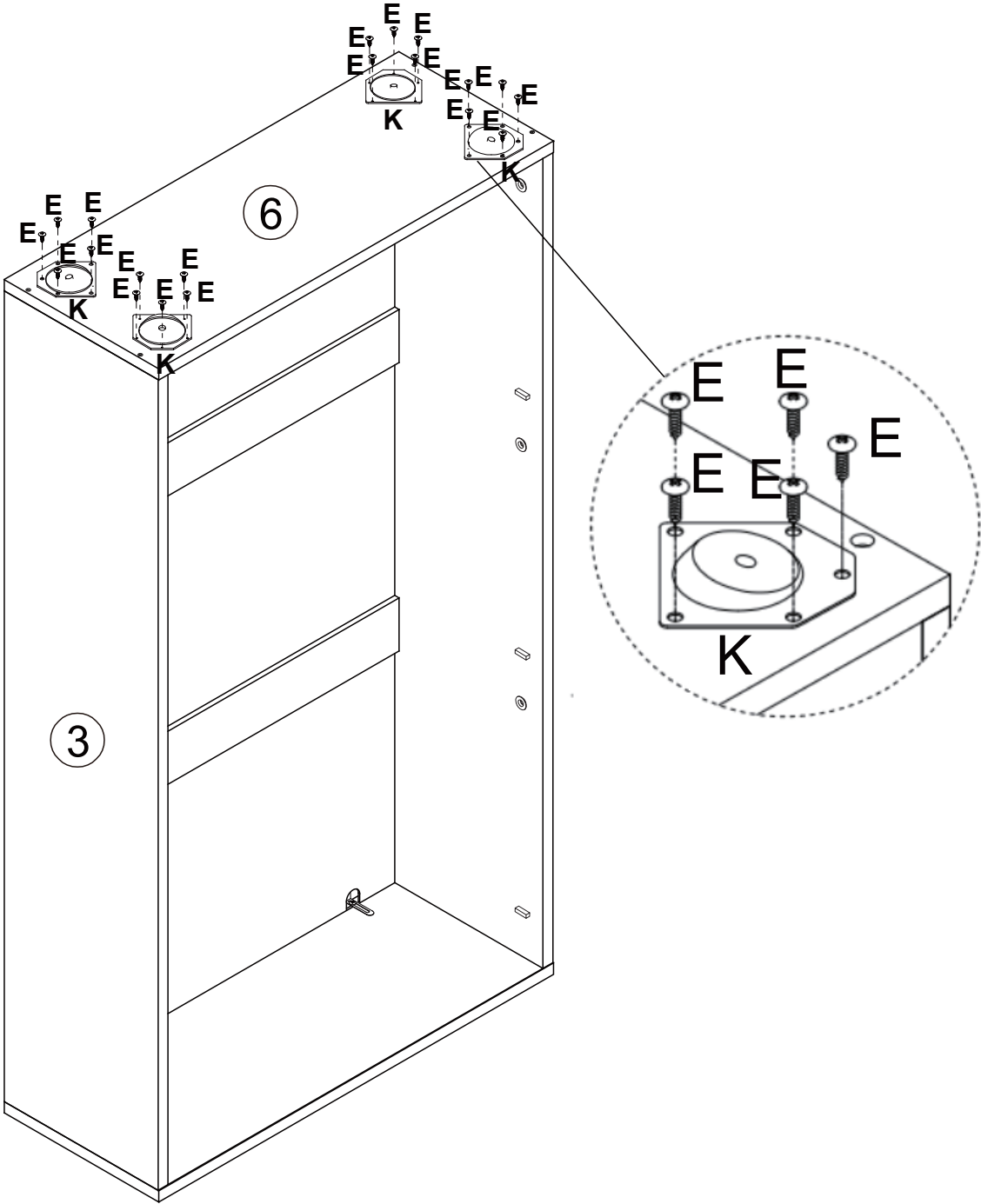


# Step 6

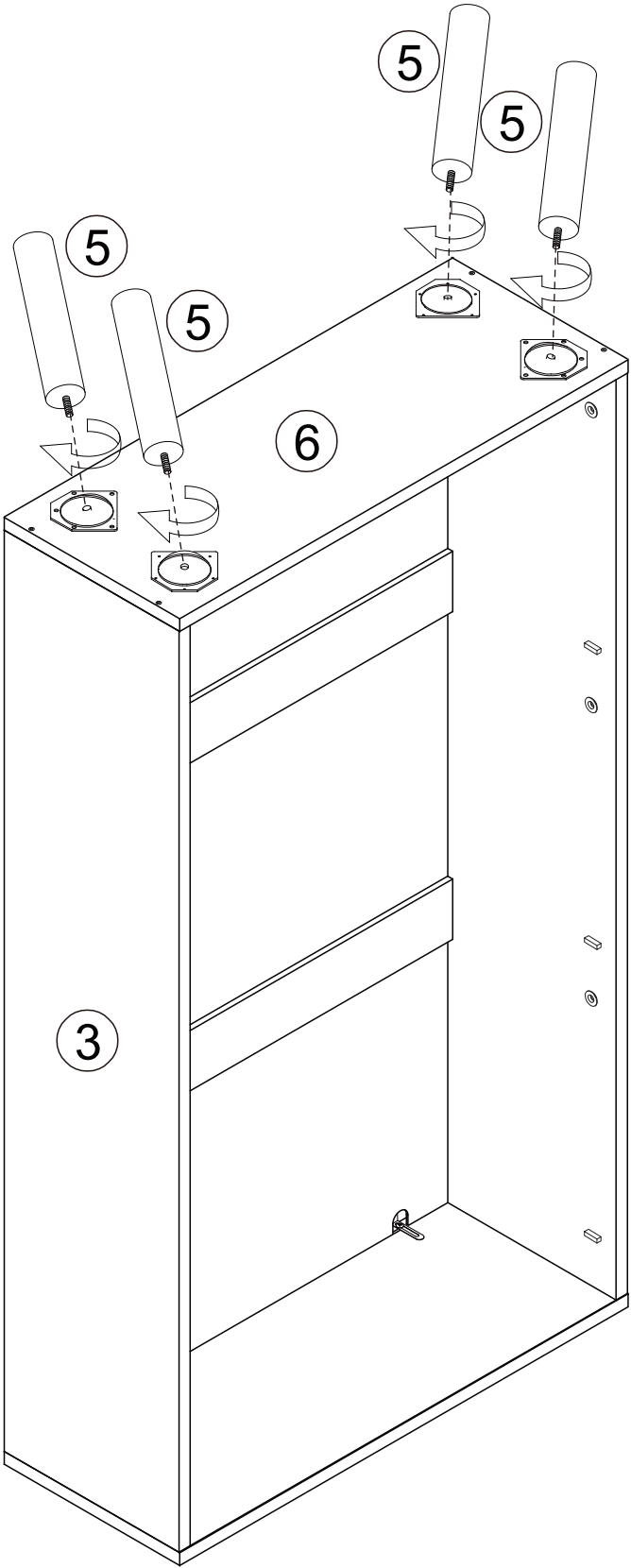


# Step 7

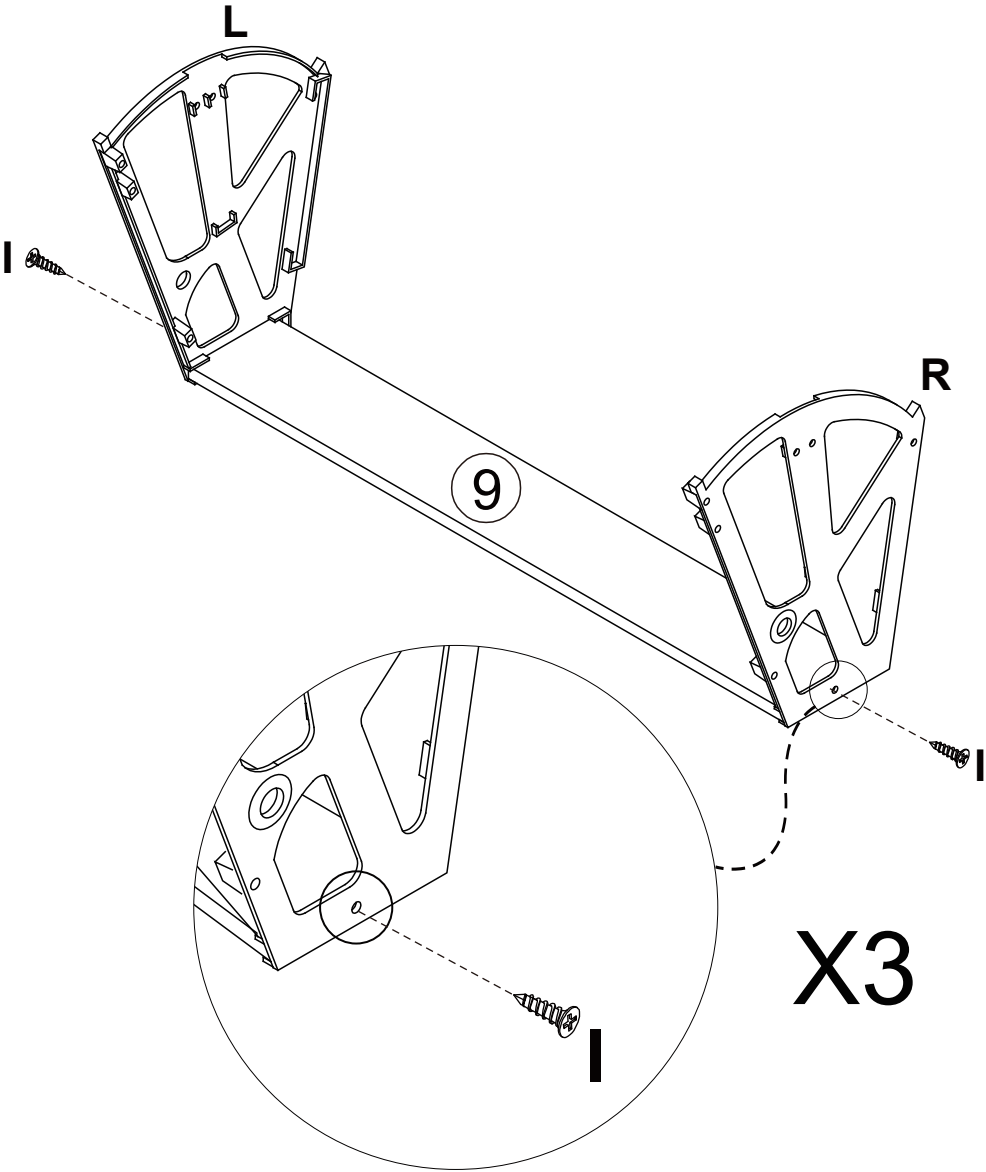
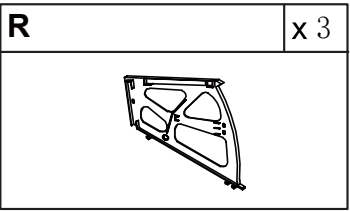
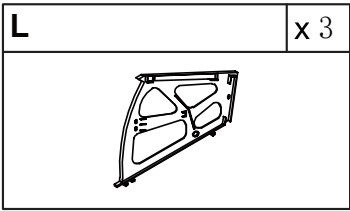
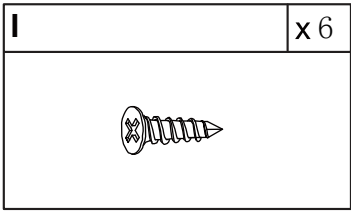
<b>K</b>	x4	<b>E</b>	x20
			




# Step 8




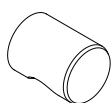
# Step 9

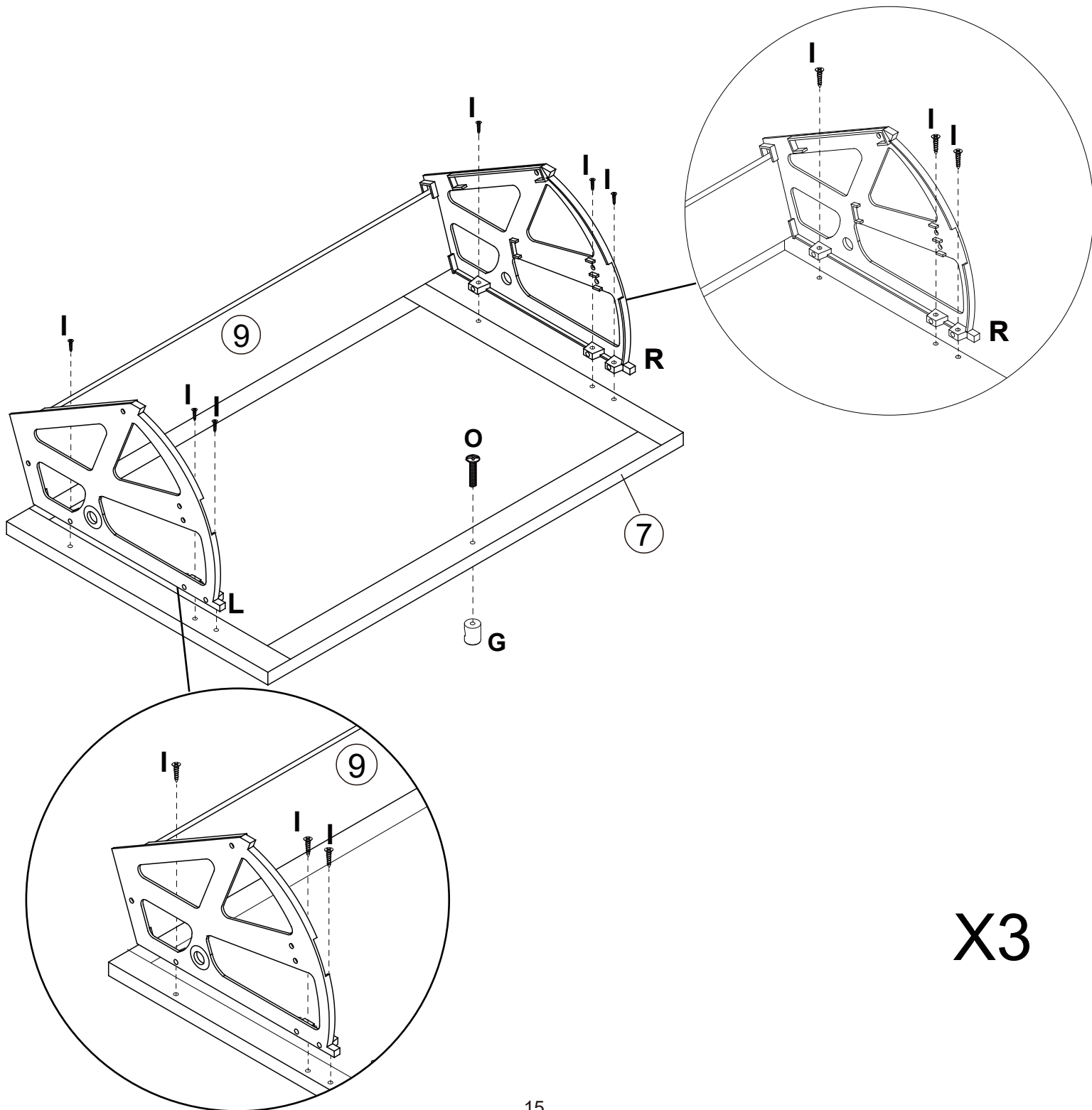


# Step 10

<b>I</b>	x18
	


<b>O</b>	x3
	

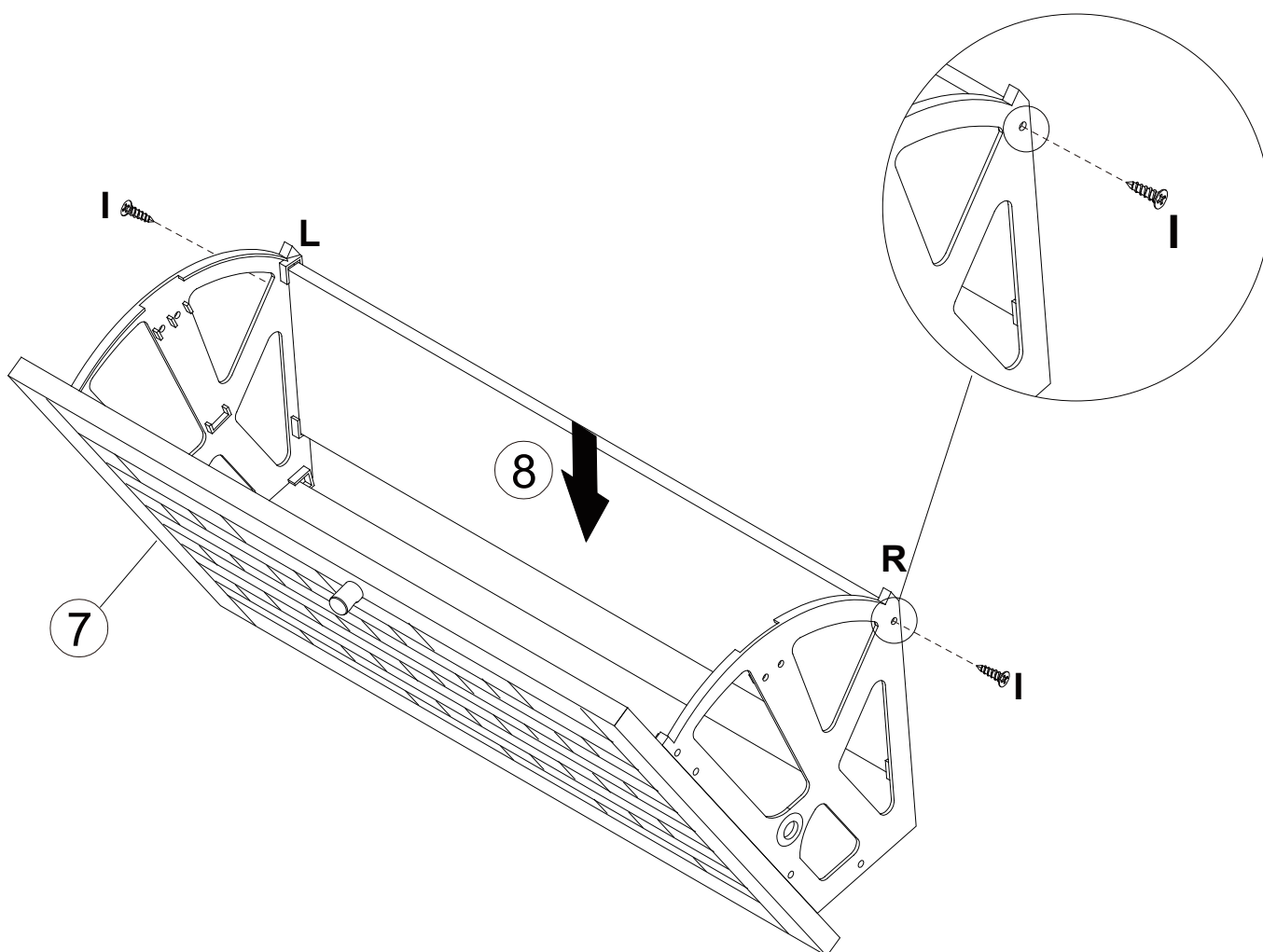
<b>G</b>	x3
	



**X3**

# Step 11

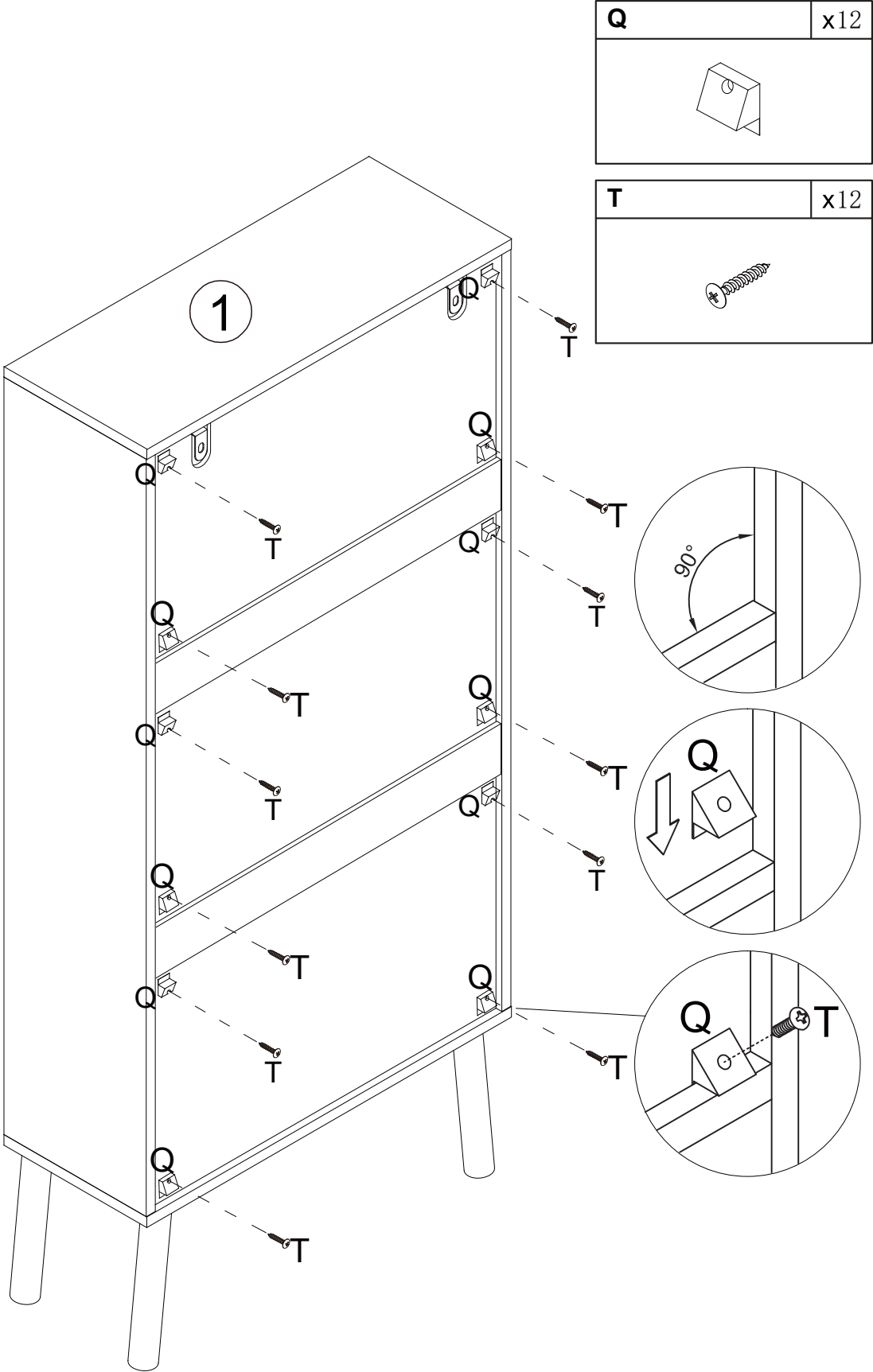
I	x6
	



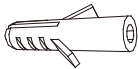
X3

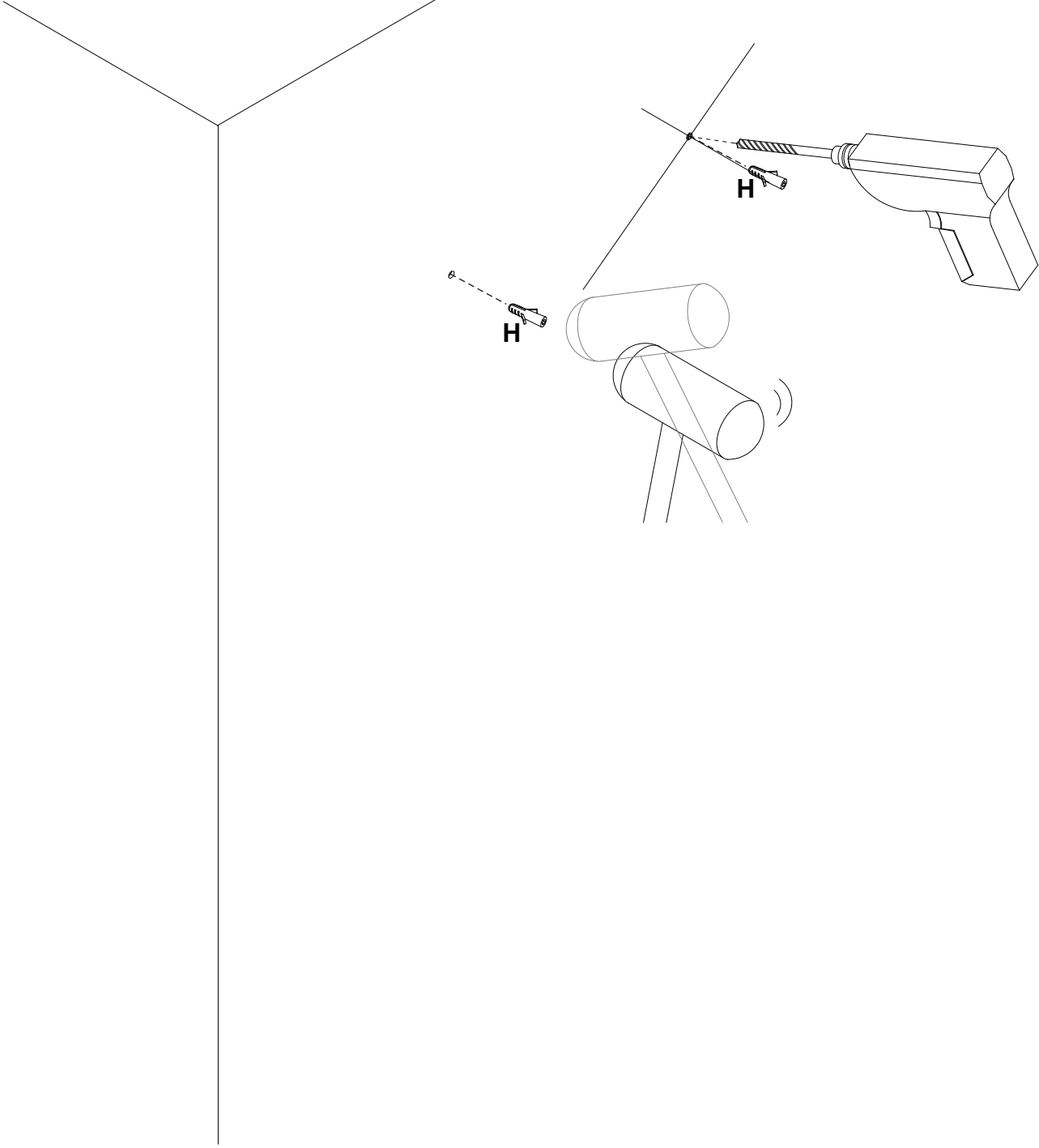


# Step 12

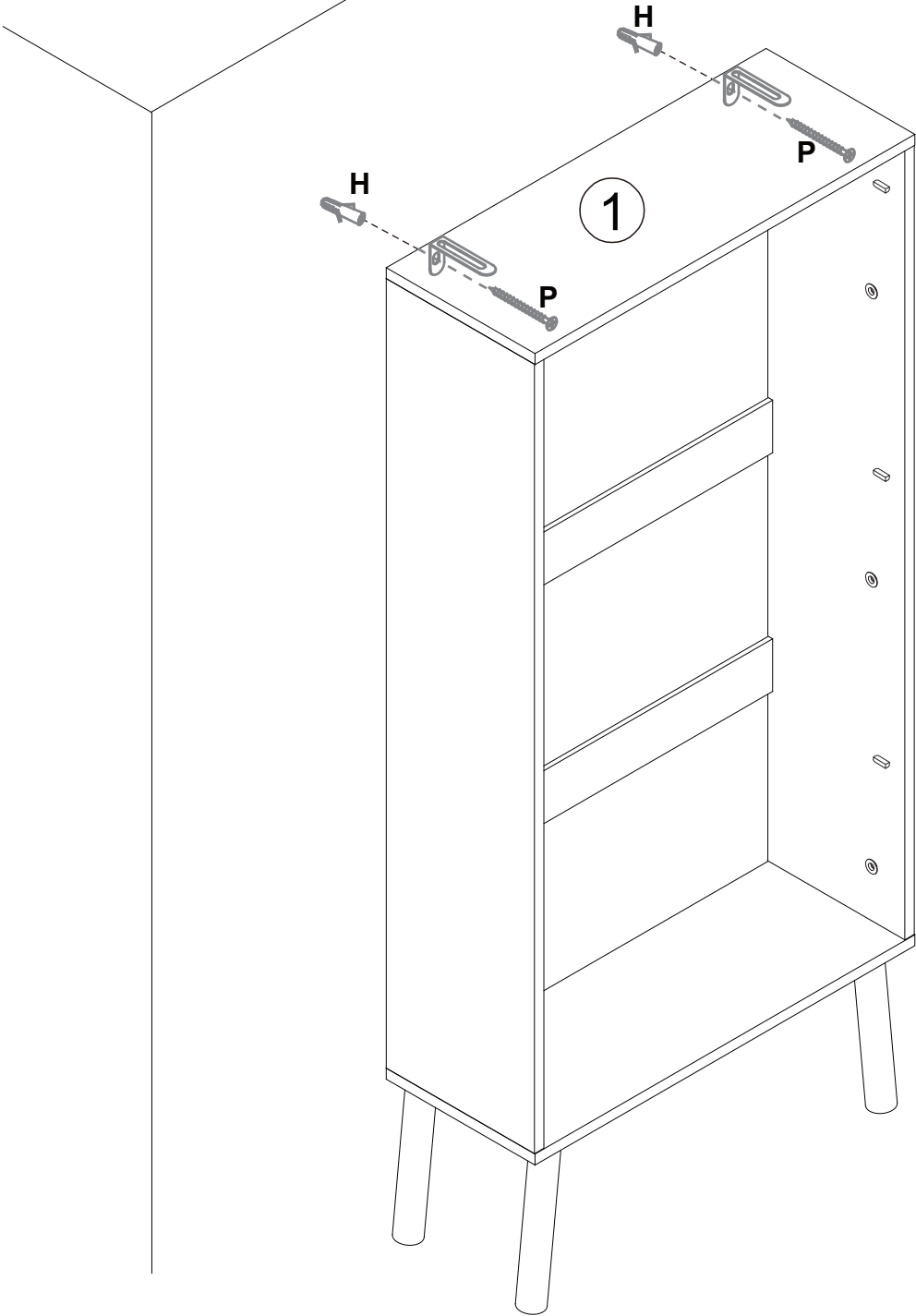
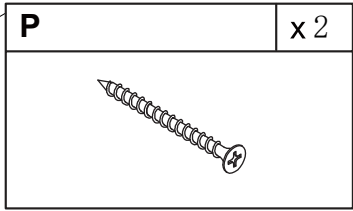


# Step 13


<b>H</b>	<b>x2</b>
	




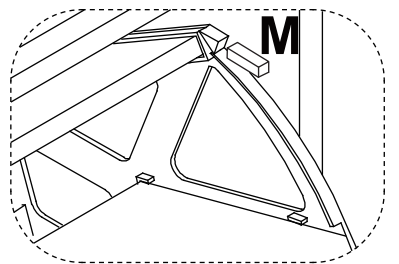
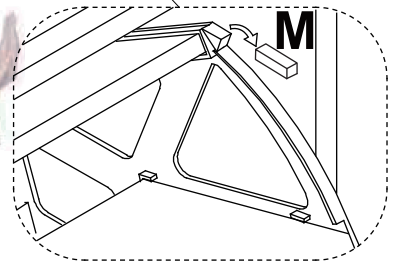
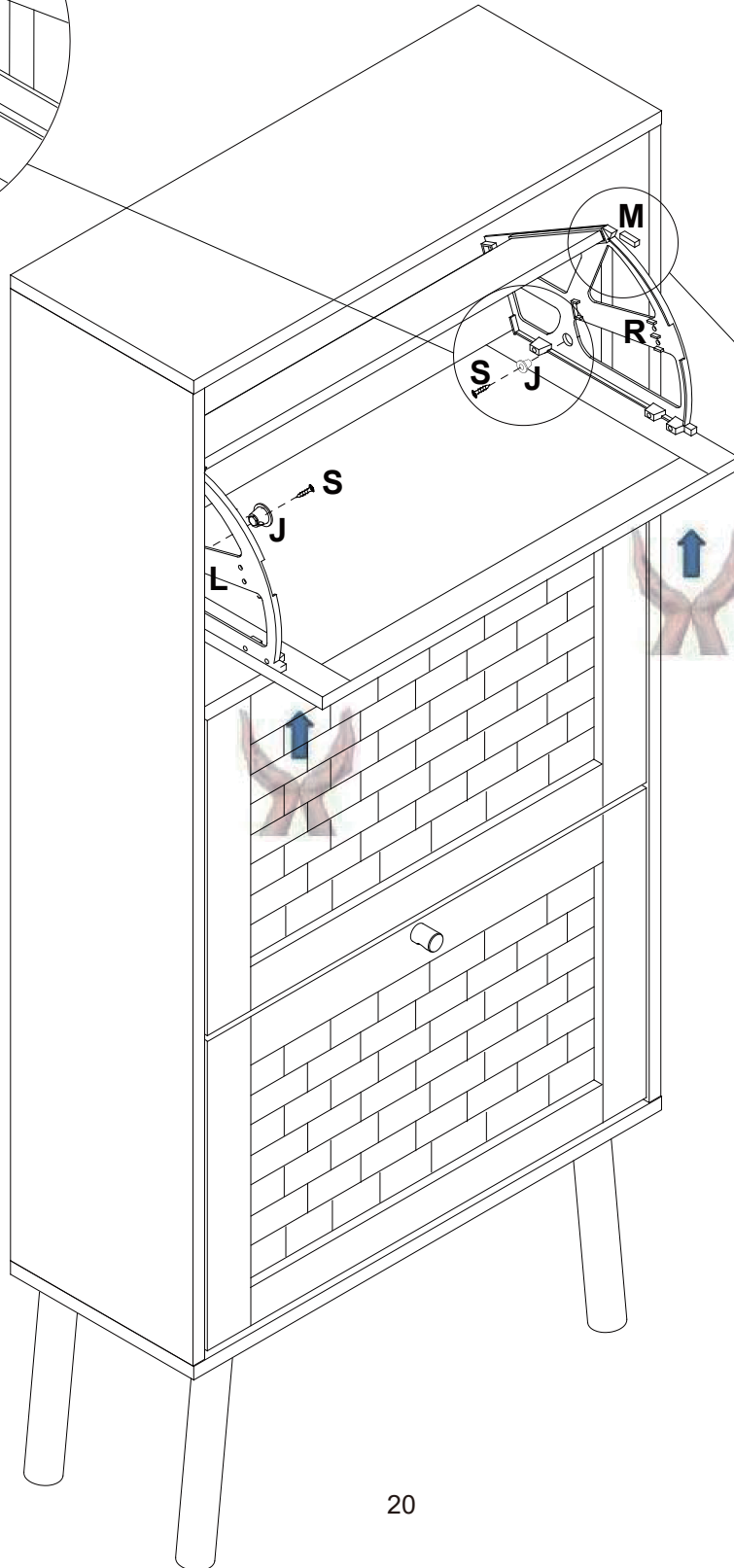
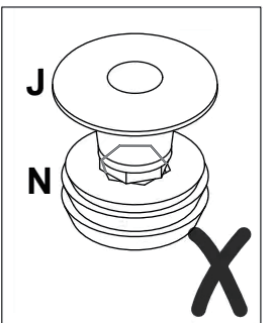
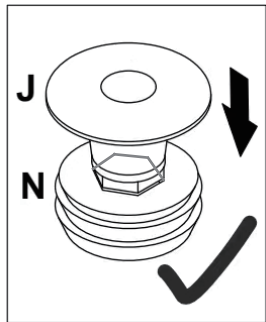
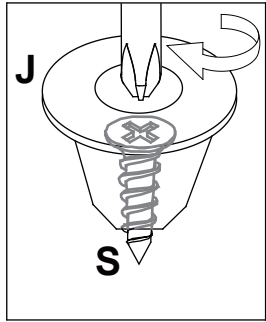
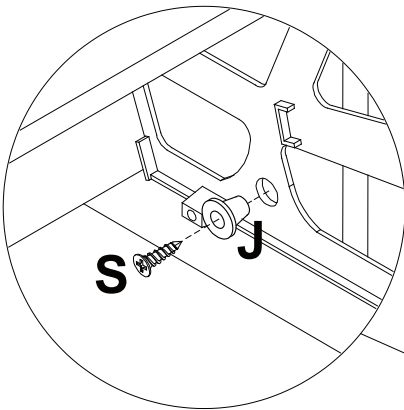
# Step 14



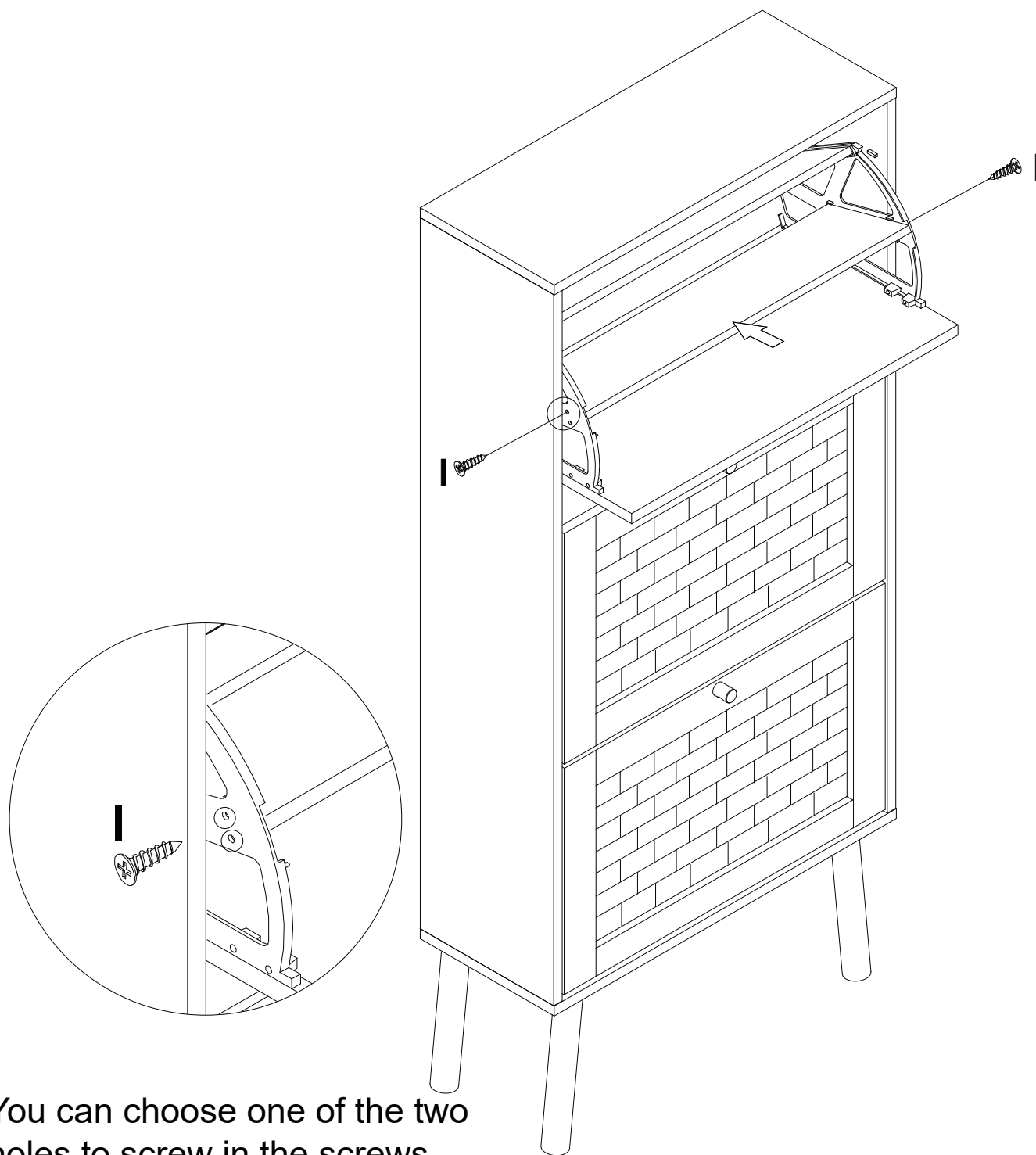
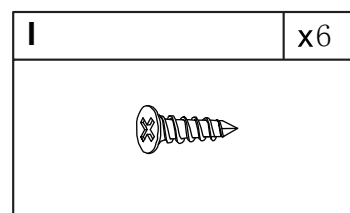
# Step 15

<b>S</b>	x6
	

<b>J</b>	x6
	



# Step 16



You can choose one of the two holes to screw in the screws according to your needs

# Proper Use

- DO NOT** use for commercial purposes
- DO NOT** use as a step stool or stand on table
- DO NOT** put hot serving liquid directly on the table top
- DO NOT** leave spilled liquid on the table top
- DO NOT** use table if damaged
- DO NOT** exceed weight limit
- DO NOT** make temporary repairs
- DO NOT** use outdoor

Dear Customer :

Thank you for purchasing our product,we wish you satisfy our service,if you have any further questions or any quality issues, please show the belows number and don't hesitate to contact our Customer Service People:

**W688202404**