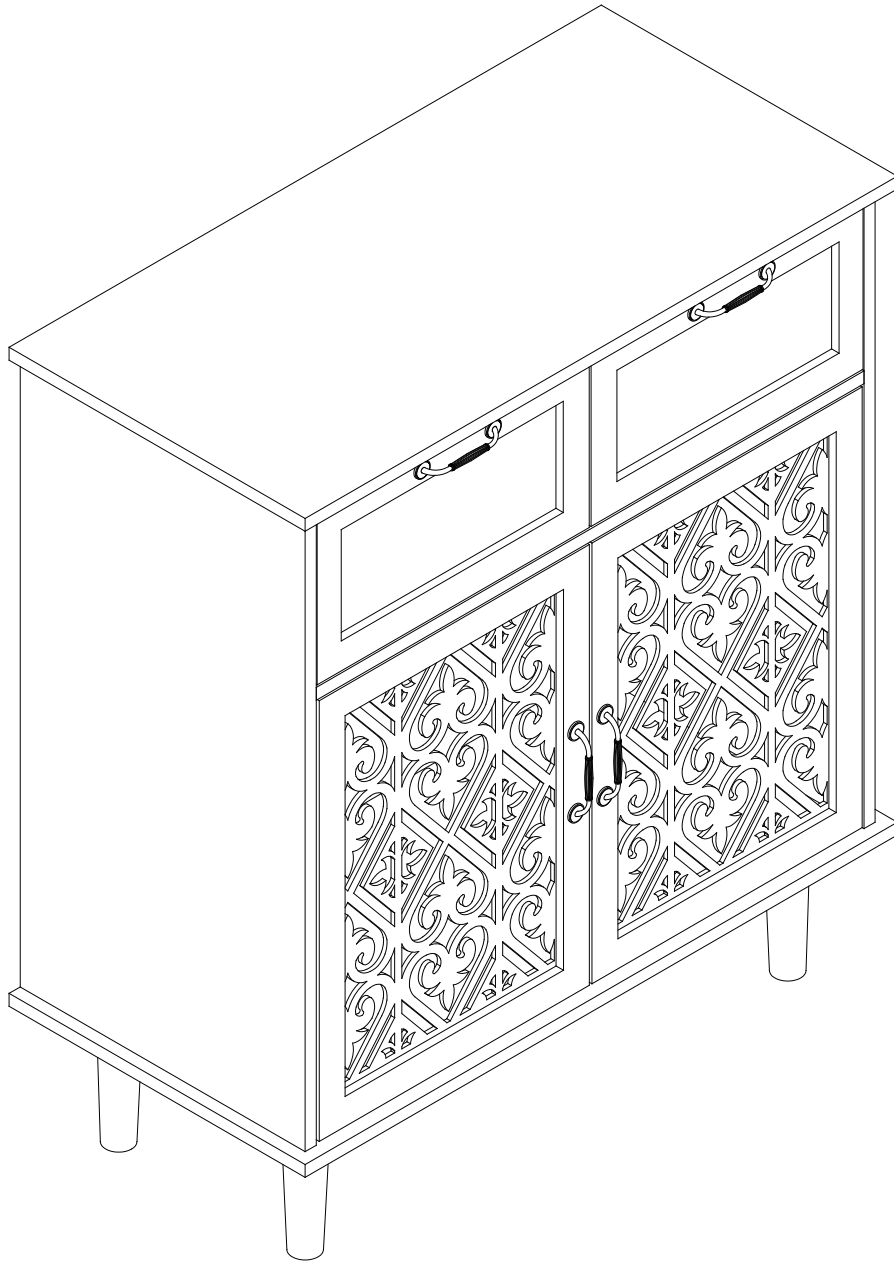


Installation Instruction



Product name

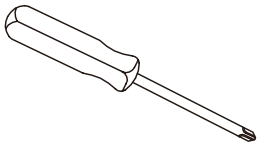
2 Door 2 Drawer Cabinet

Ver.1.0 20240427

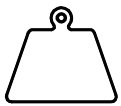
Assembling

What you need

- Use the packaging carton as a working surface to prevent product damage during assembly
- Phillips head screwdriver



Weight Limitation



60 | 11

lbs cabinet top | lbs per drawer

22 |

lbs per shelf

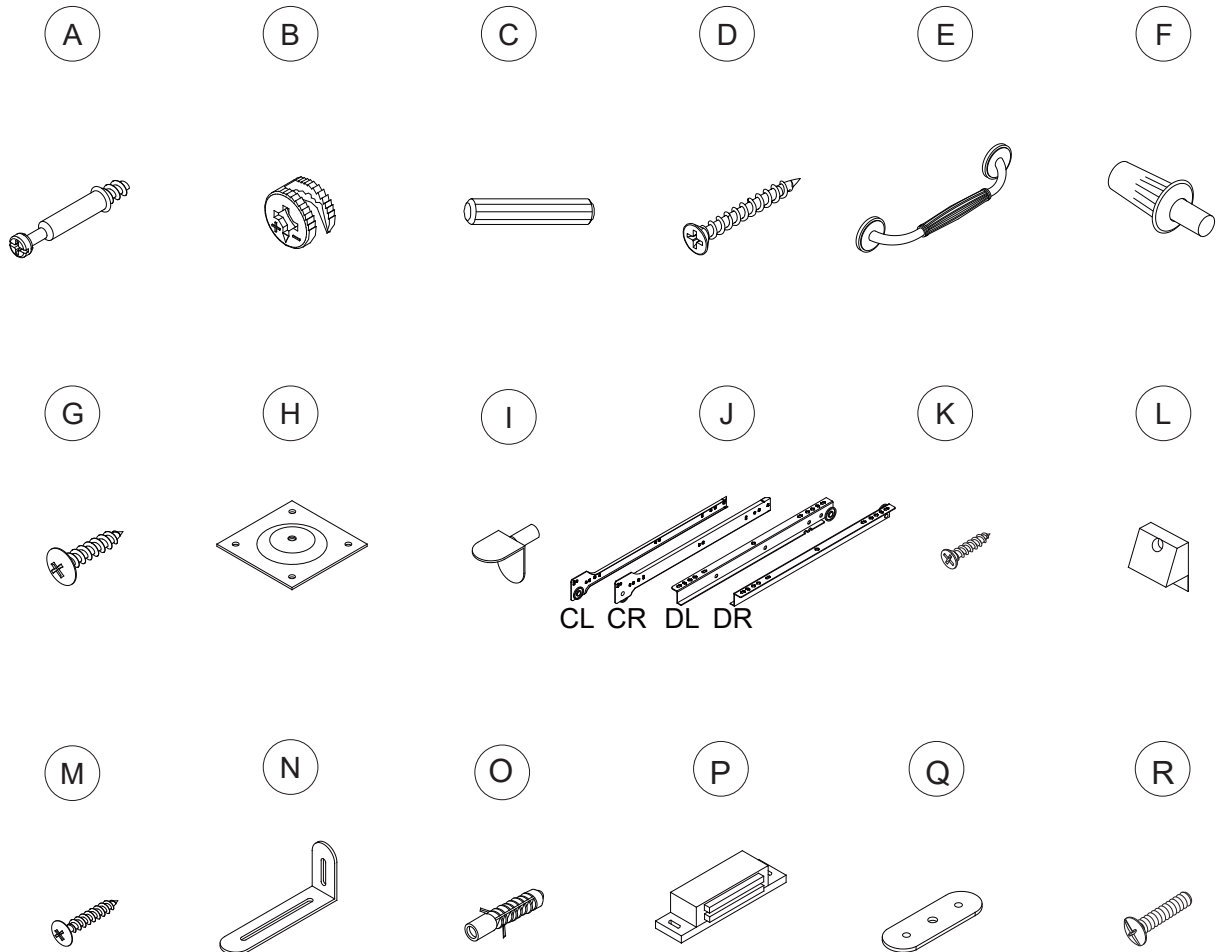


2 PERSONS

What 's included

Code	Description	Qty
A	Cam Bolt M6X35MM	20
B	Cam Lock 15X10MM	20
C	Wooden Dowel M6X30MM	13
D	Screw M4X35MM	16
E	Handle	4
F	Metal Pin	4
G	Screw M4X14MM	22
H	Metal Pin	4
I	Metal Support	4
J	Slide Sets	2
K	Screw M3X12MM	28
L	Plastic Corner Support	8
M	Screw M3X16MM	12
N	Metal Plate	2
O	Anchor M6X30MM	2
P	Magnetic Door Catcher	2
Q	Door Metal Plate	4
R	Bolt M4X20MM	8

The Hardware



IMPORTANT :

1. Do not tighten bolts / screws completely until all bolts / screws are lined up and inserted into holes.
2. Do not over tighten screws and bolts to avoid stripping.
3. Please use hand tools to assemble this product. Do not use power tools.
4. Must need 2 people to assemble this product.

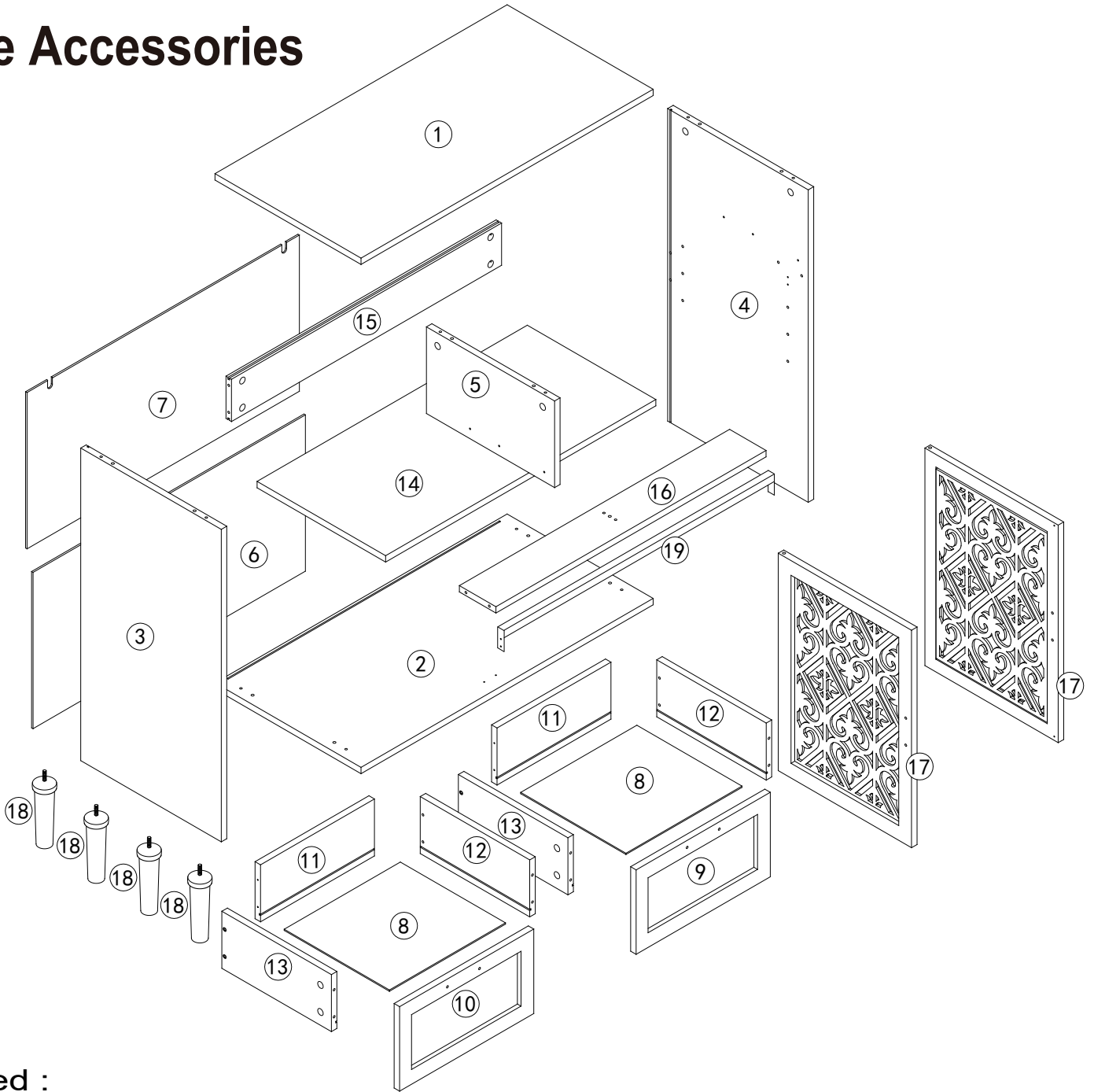


2 PERSONS

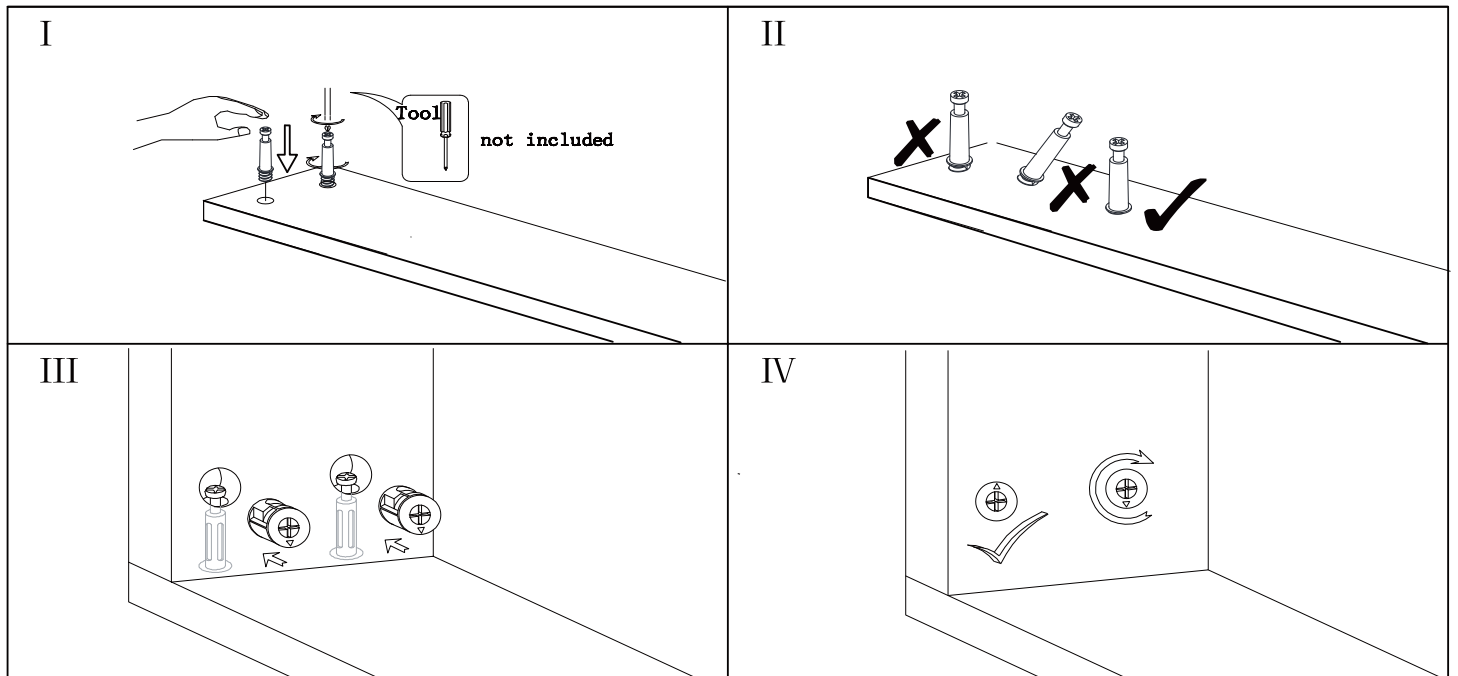
Included Accessories

Code	Description	Qty
1.	Cabinet Top	1
2.	Bottom Panel	1
3.	Left Side Panel	1
4.	Right Side Panel	1
5.	Division Panel	1
6.	Lower Back Panel	1
7.	Upper Back Panel	1
8.	Drawer Bottom Panel	2
9.	Right Drawer Front Panel	1
10.	Left Drawer Front Panel	1
11.	Drawer Back Panel	2
12.	Drawer Right Side Panel	2
13.	Drawer Left Side Panel	2
14.	Middle Shelf Panel	1
15.	Back Stretcher	1
16.	Front Support Panel	1
17.	Door	2
18.	Feet	4
19.	Metal Pipe	1

The Accessories

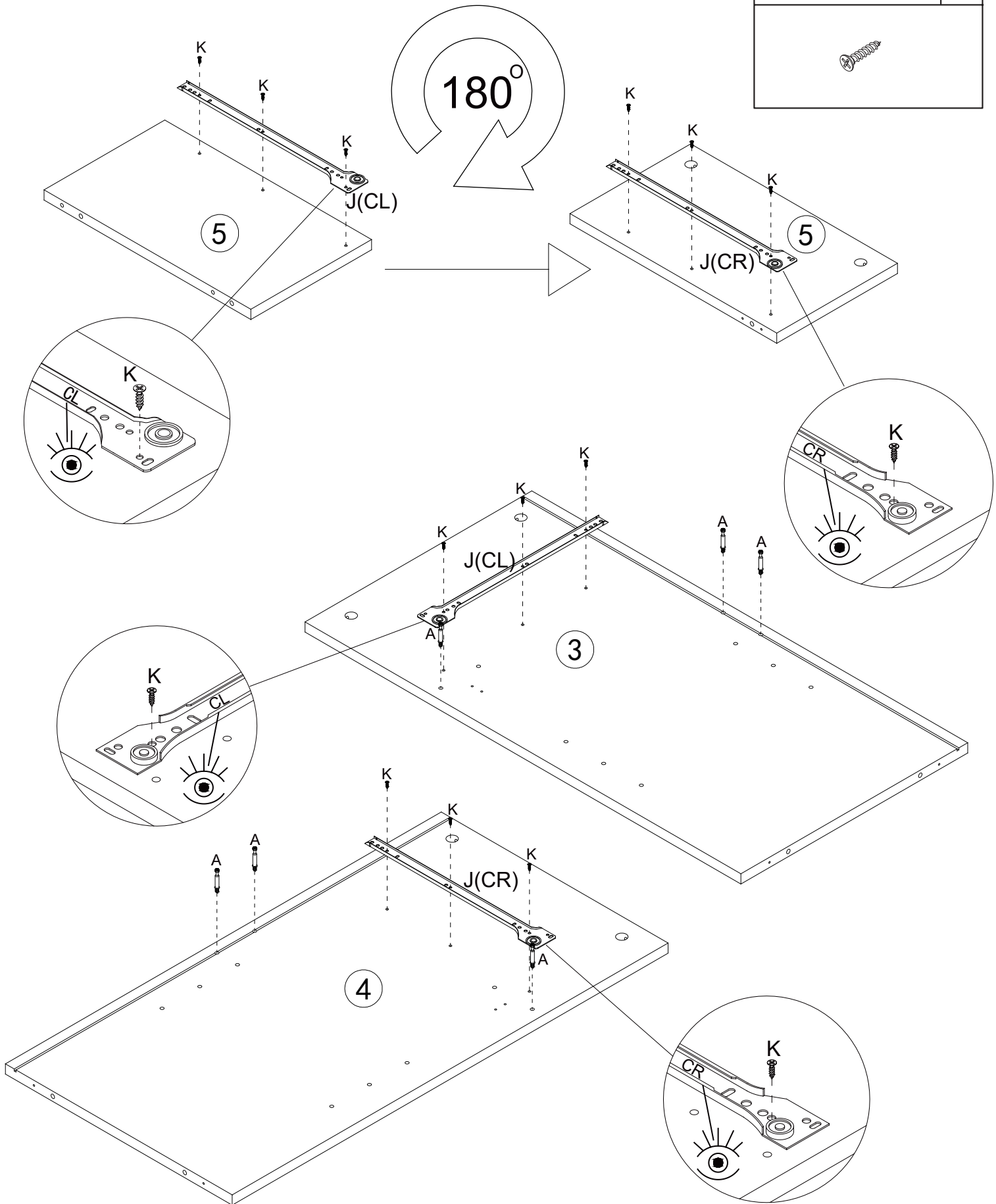


Noted :

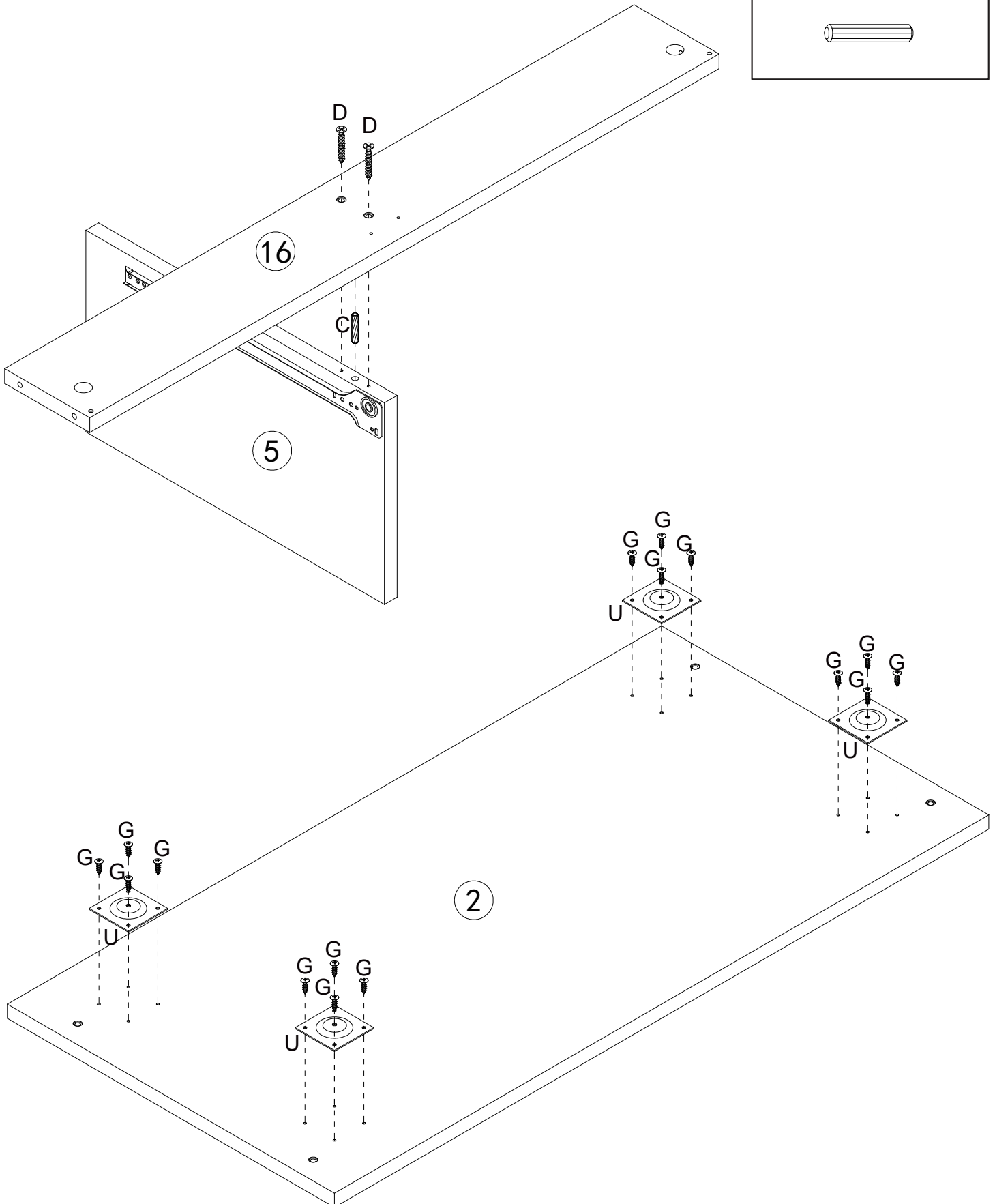
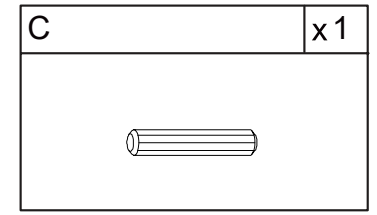
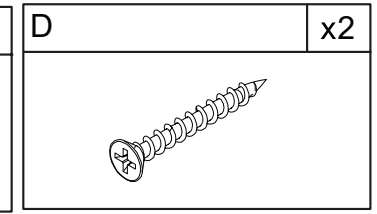
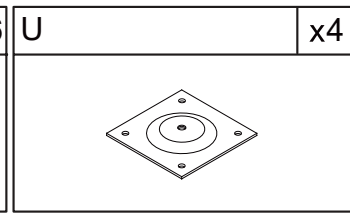
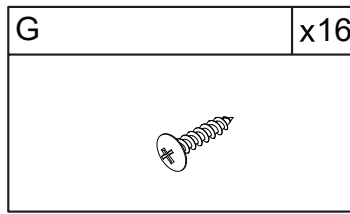


STEP 1

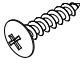
J(CL)	x2	J(CR)	x2	A	x6
				K	x12

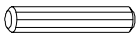



STEP 2

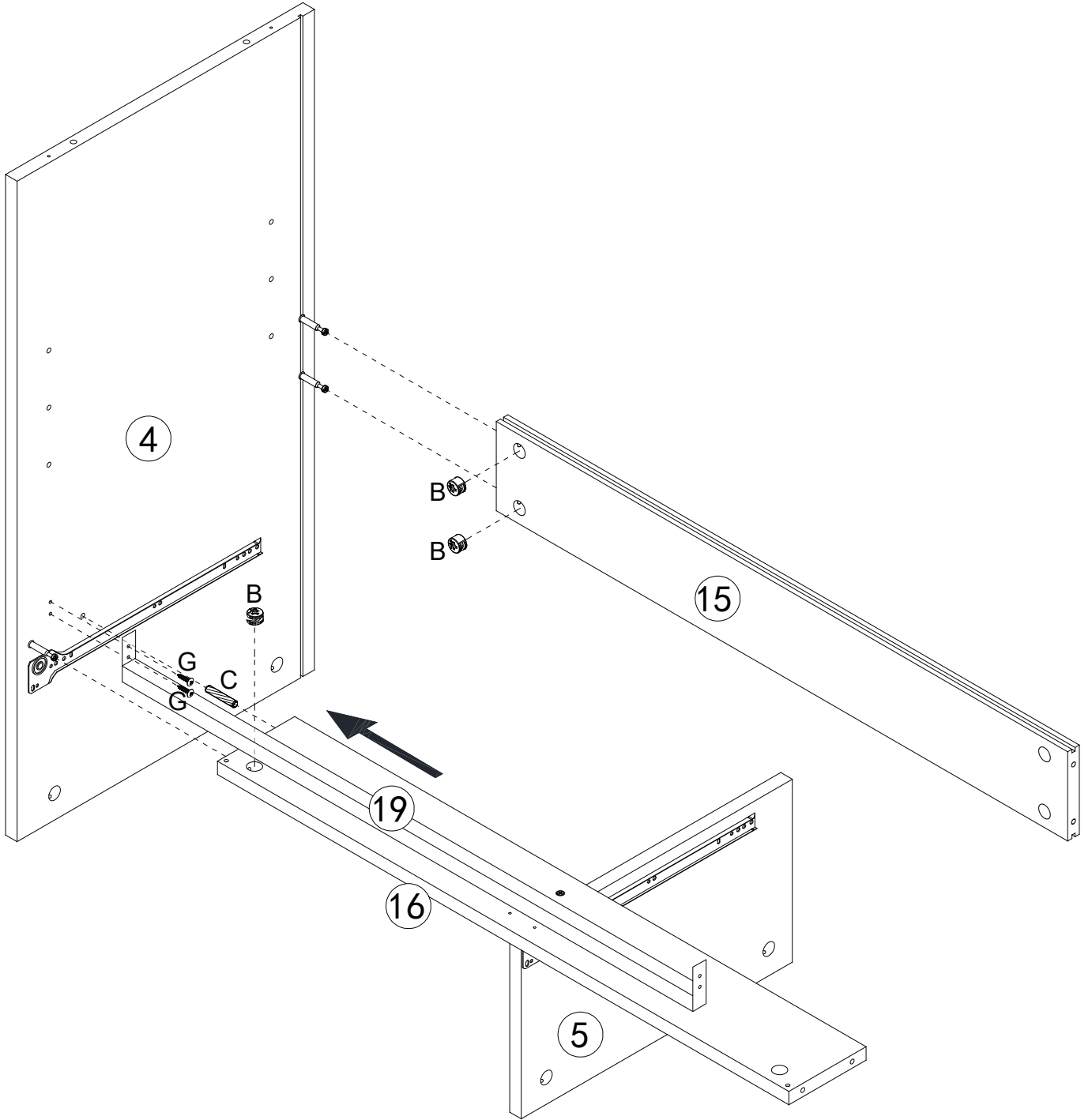


STEP 3

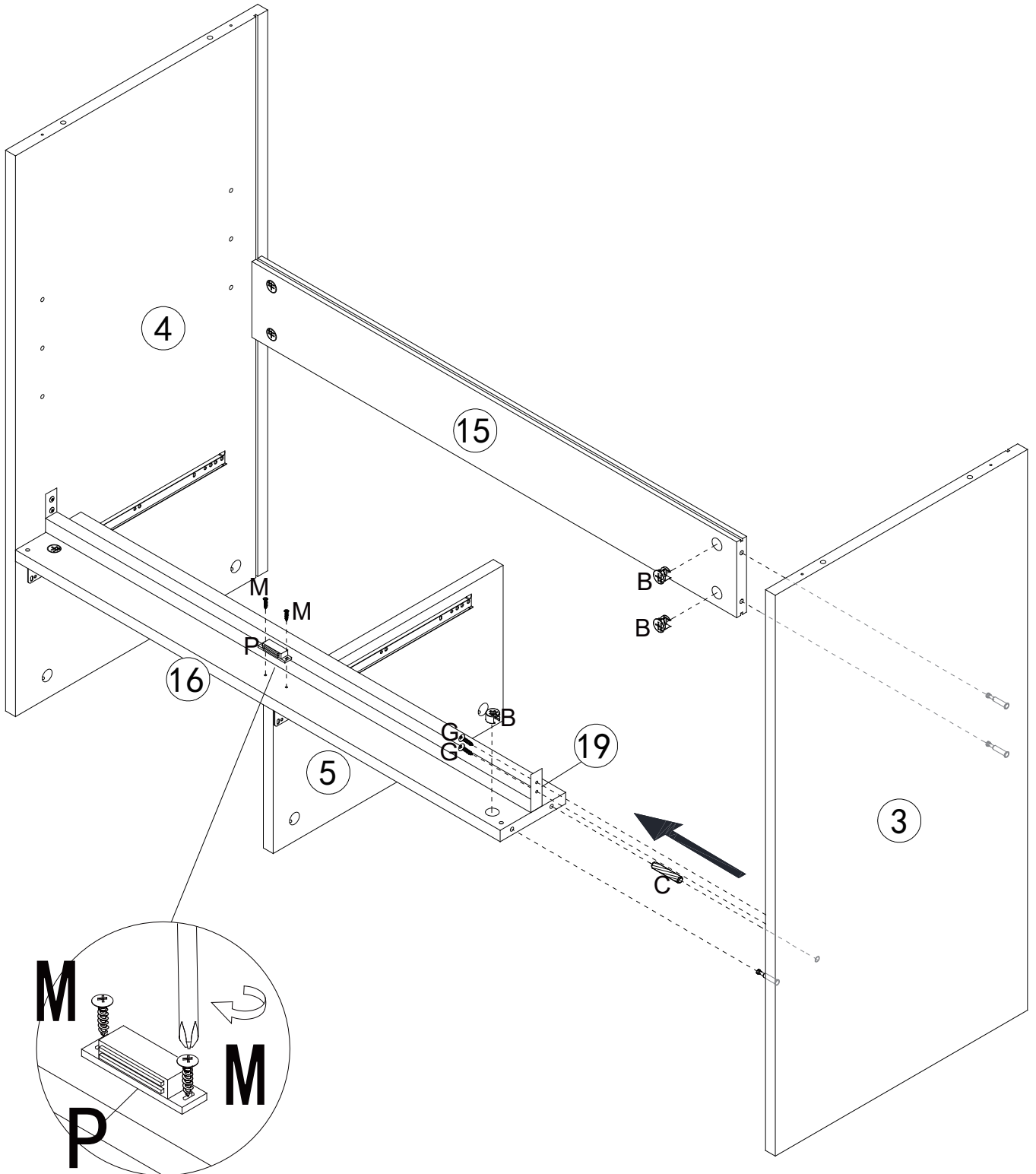
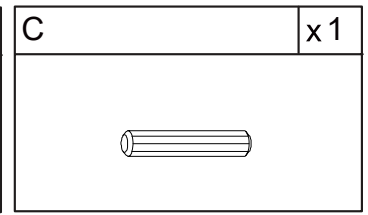
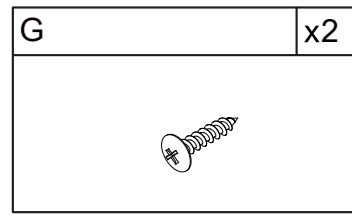
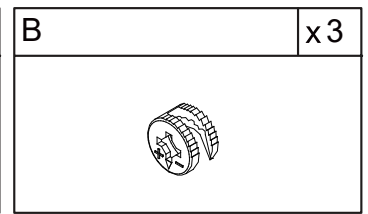
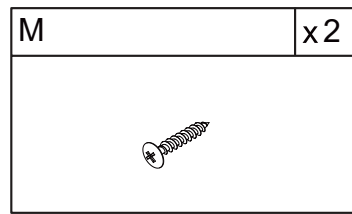
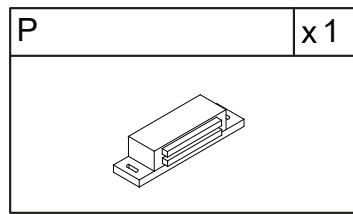
G	x2
	

C	x1
	

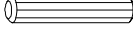
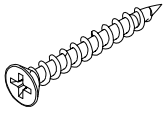
B	x3
	

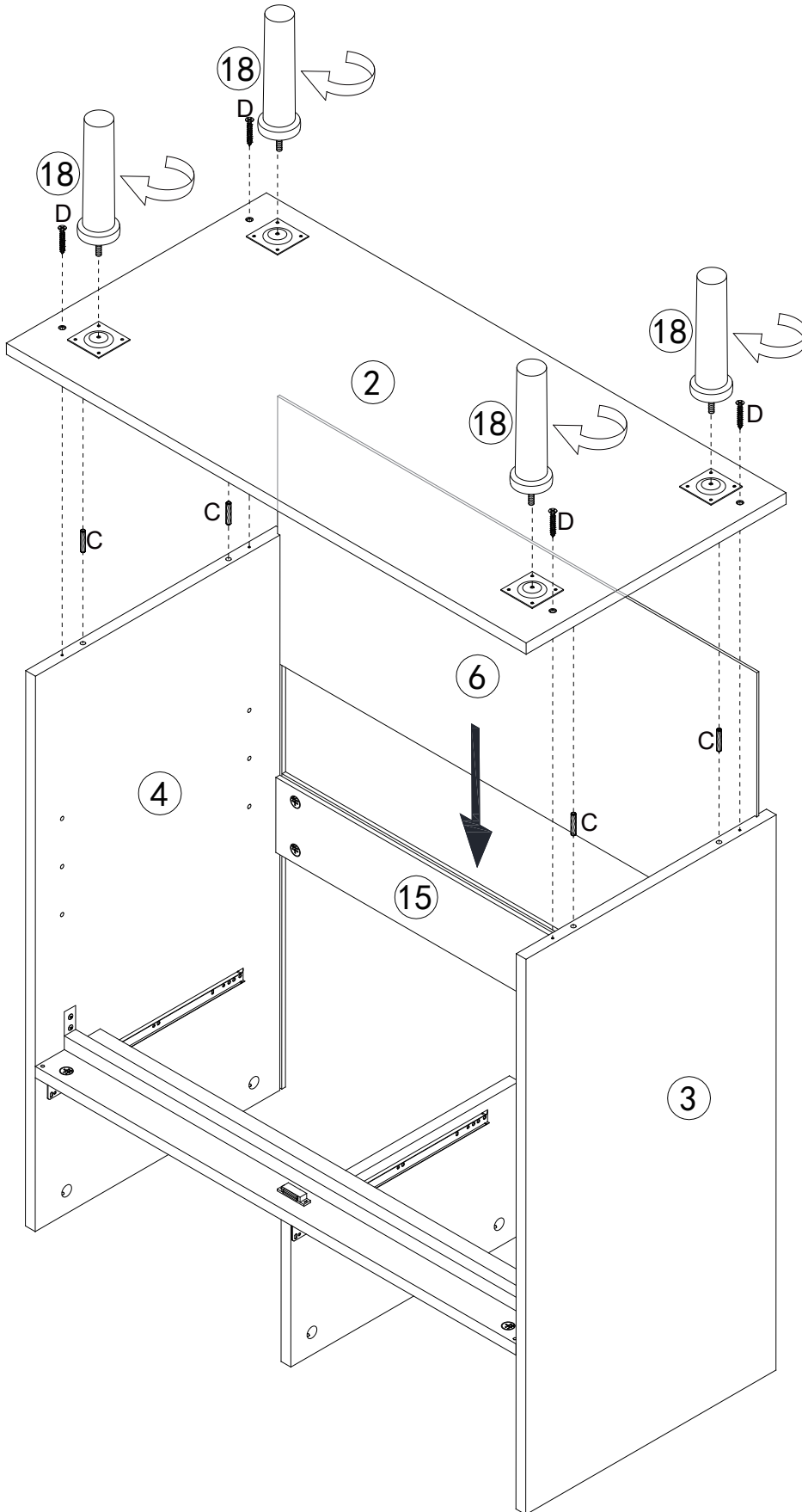


STEP 4

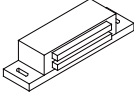



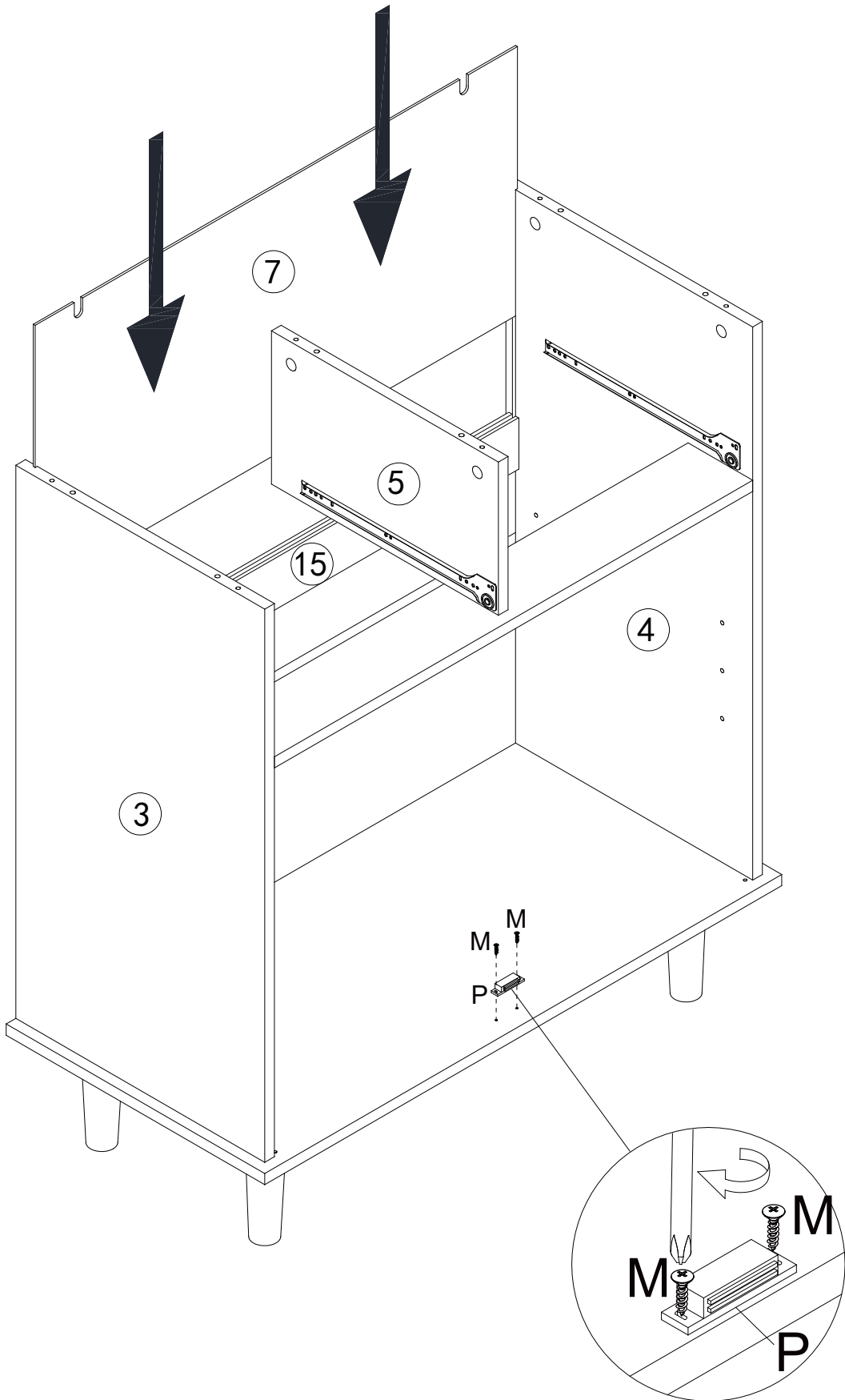
STEP 5

C	x4	D	x4
			

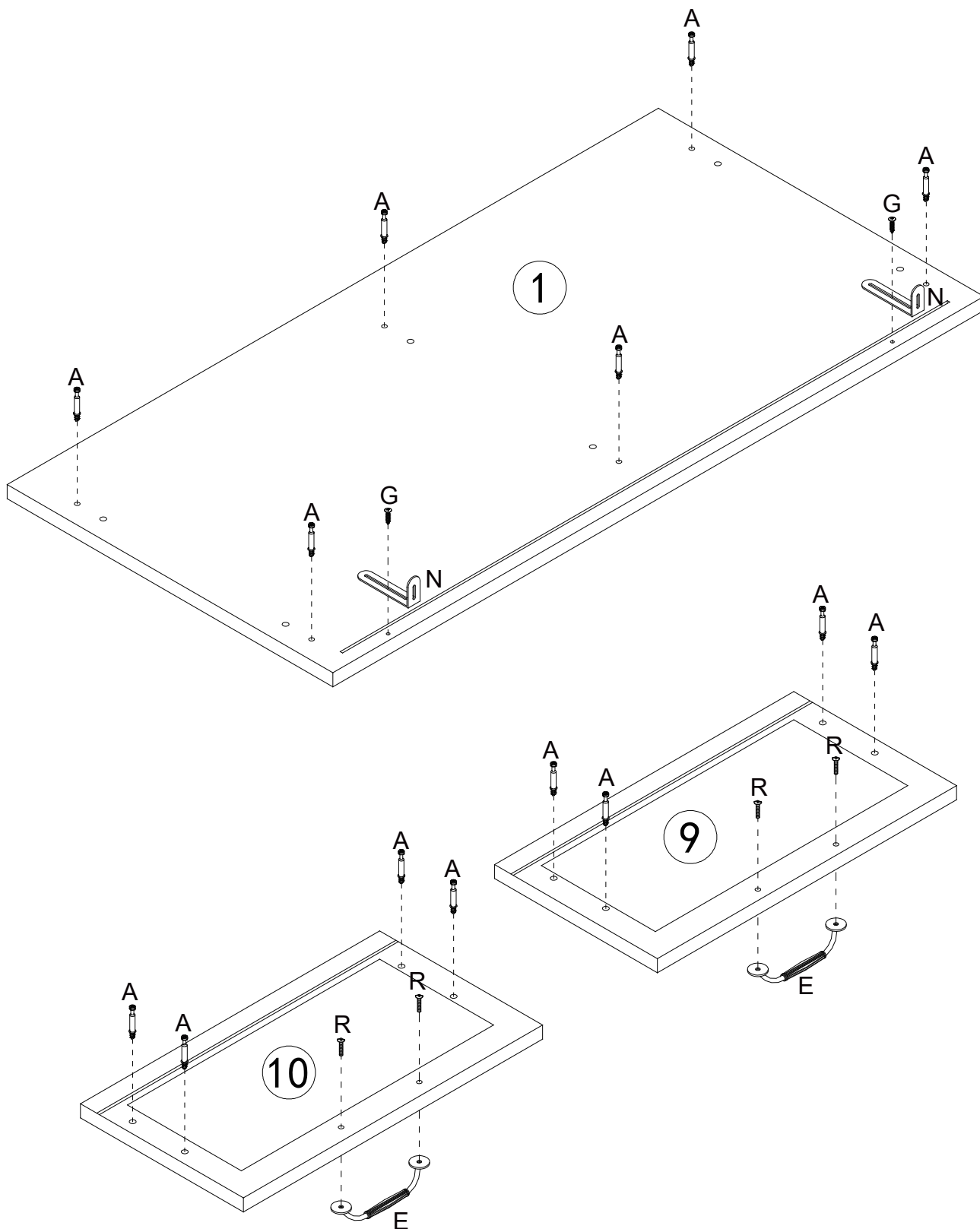
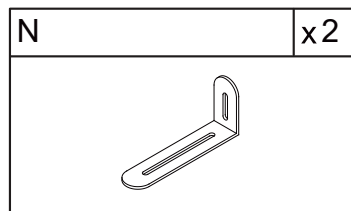
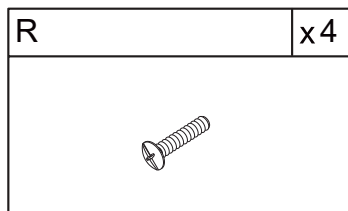
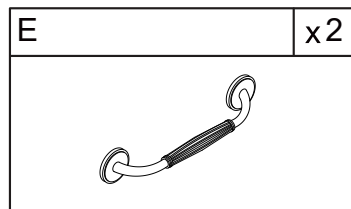
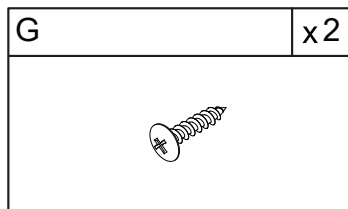
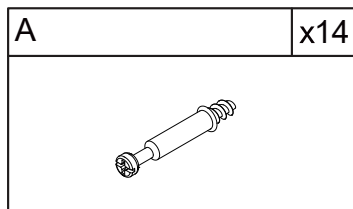


STEP 6


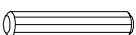
P	x1	M	x2
			

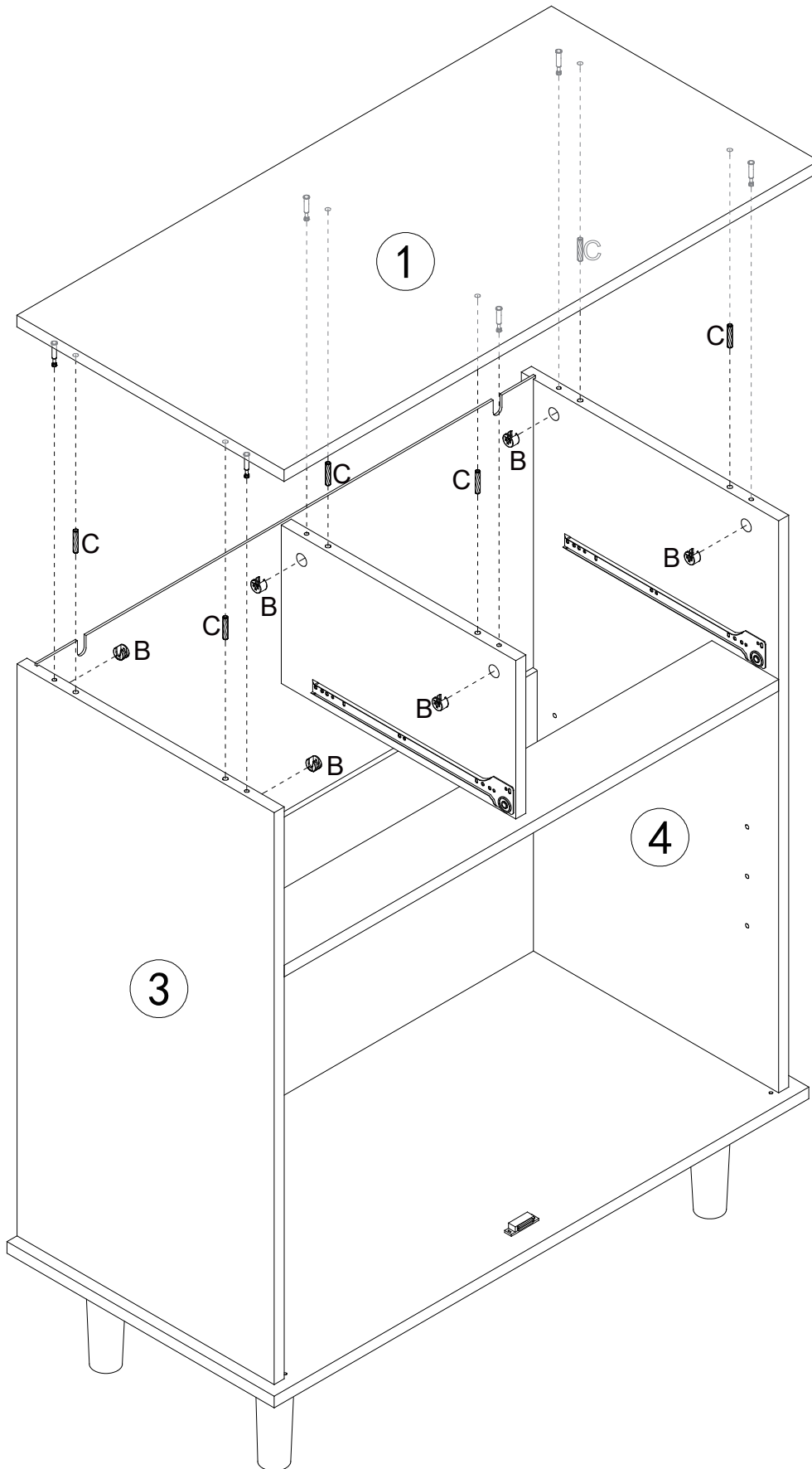


STEP 7

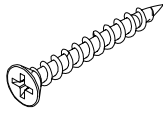



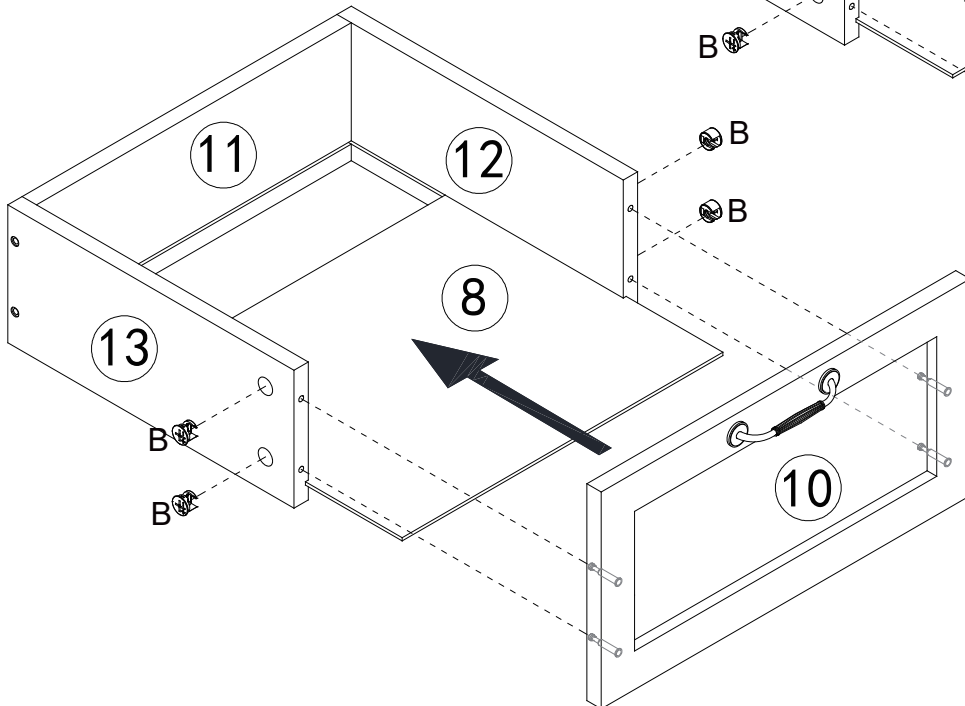
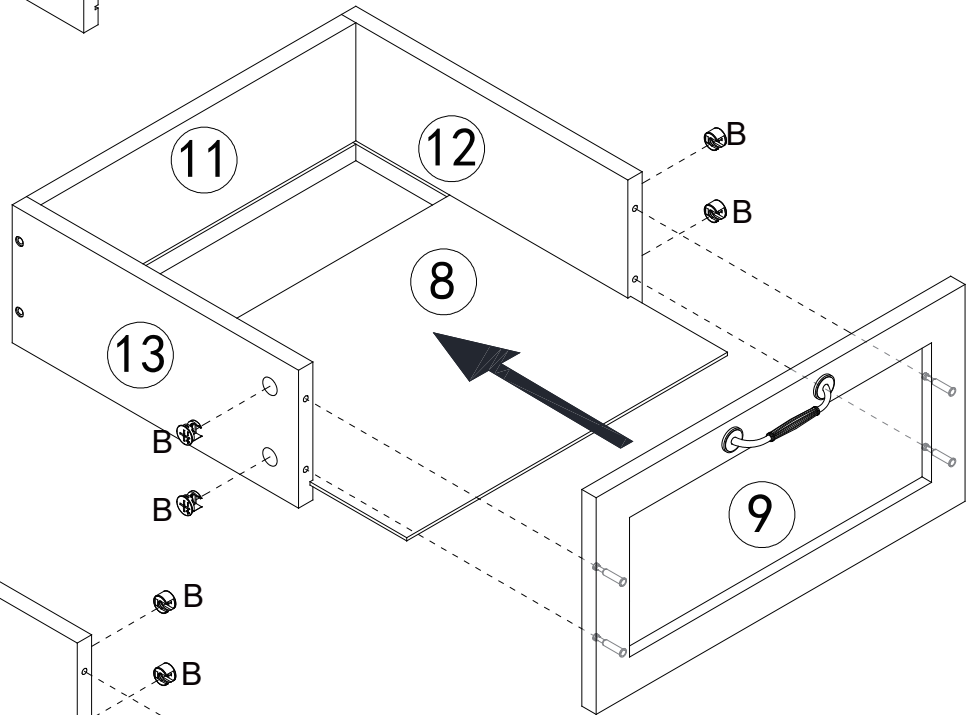
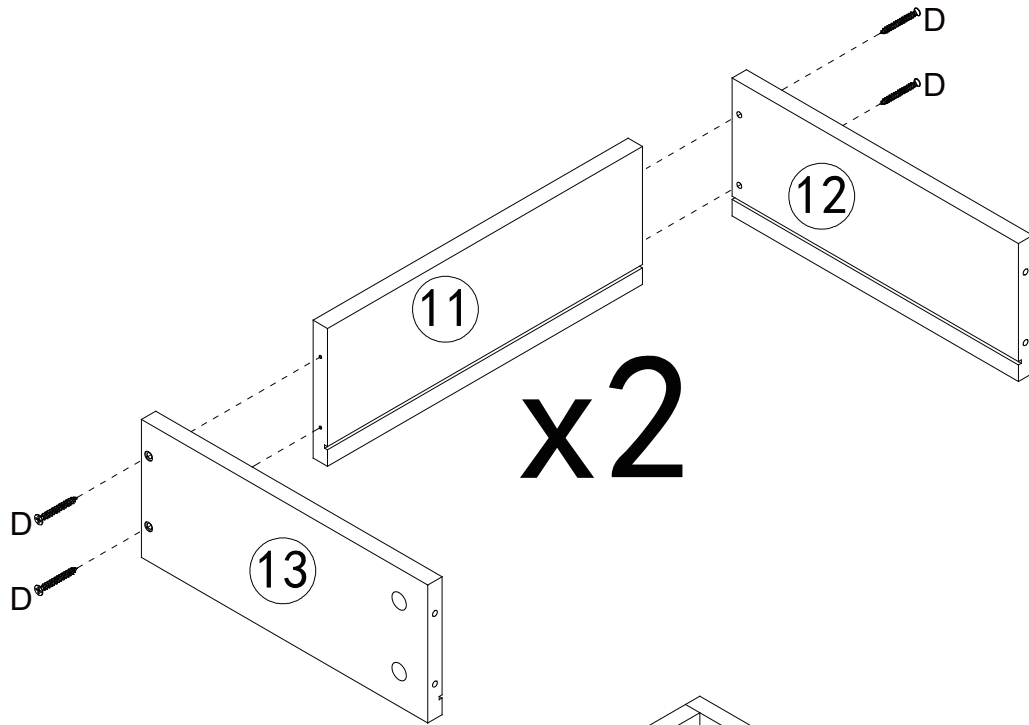
STEP 8

B	x6	C	x6
			


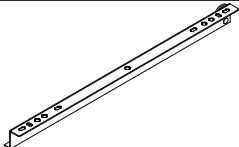
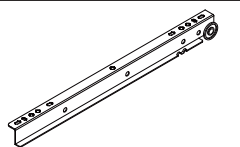


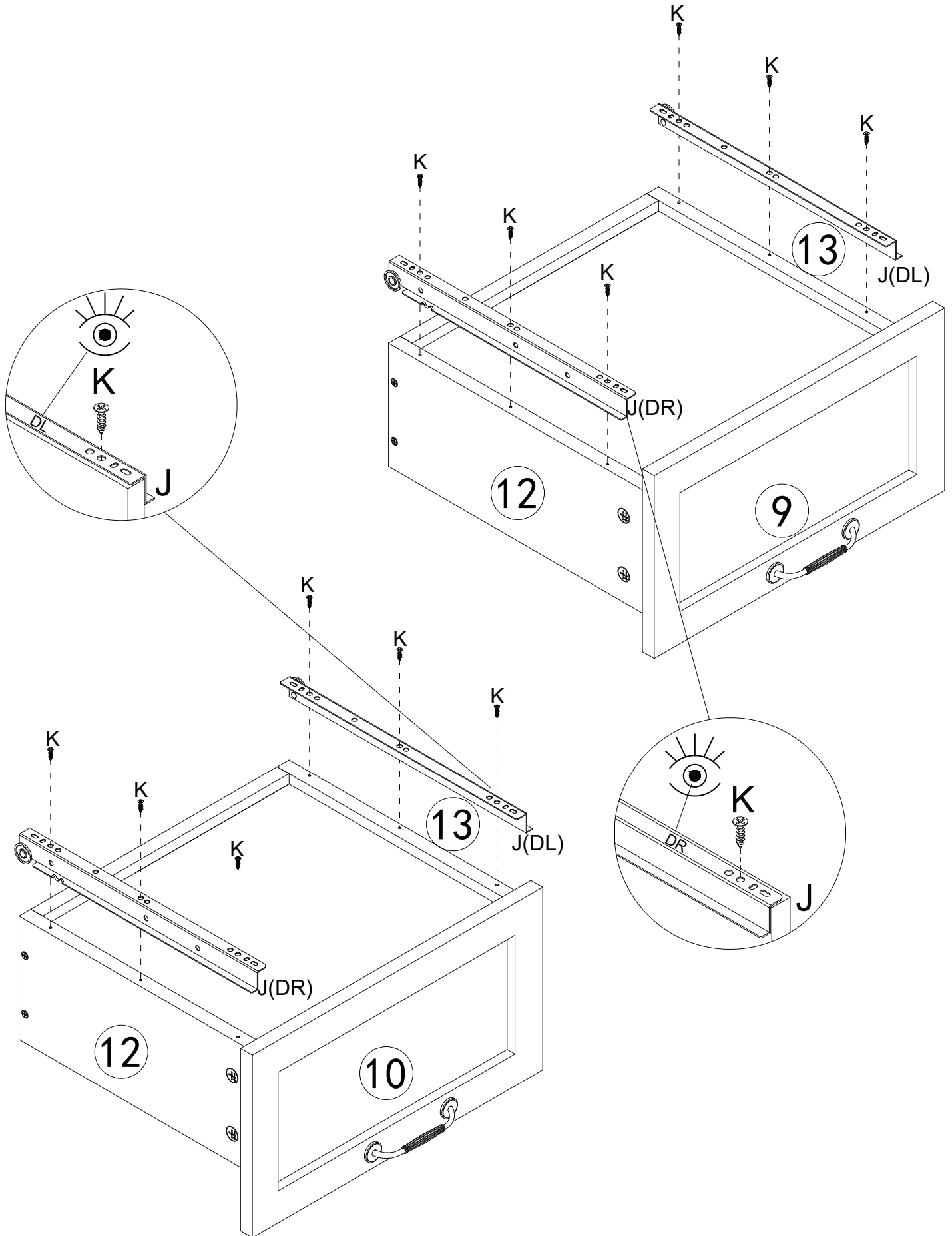
STEP 9

D	x8	B	x8
			

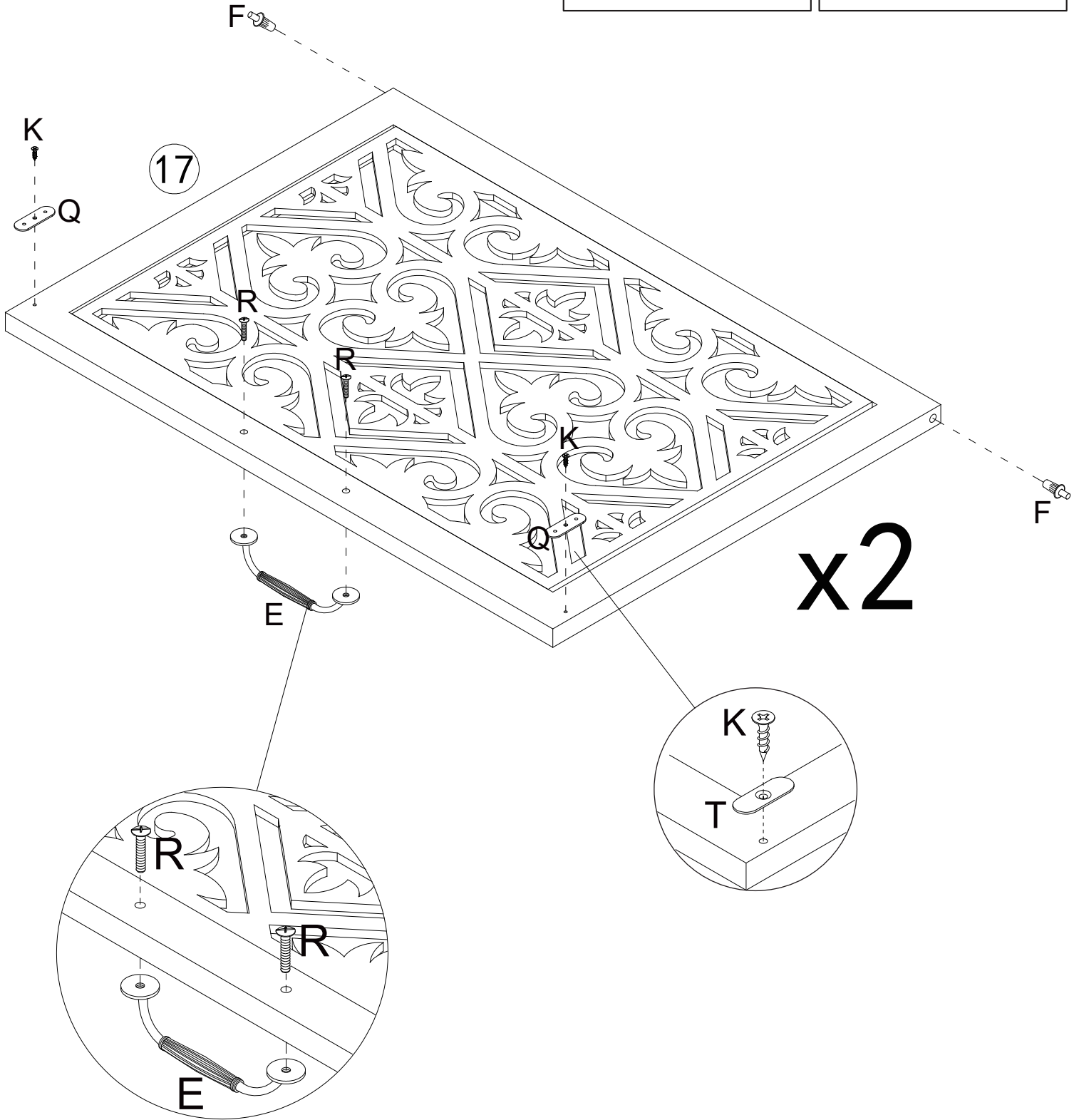
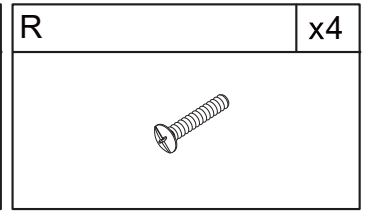
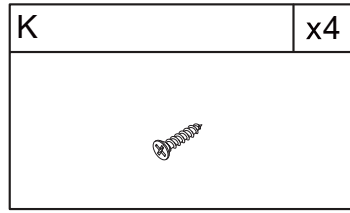
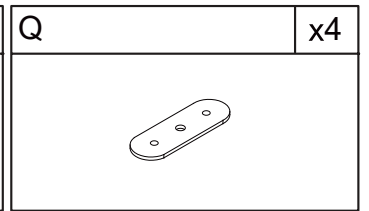
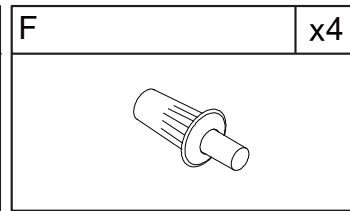
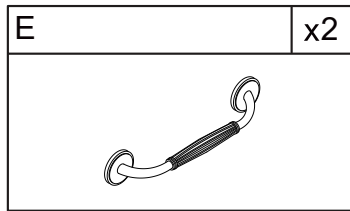


STEP 10

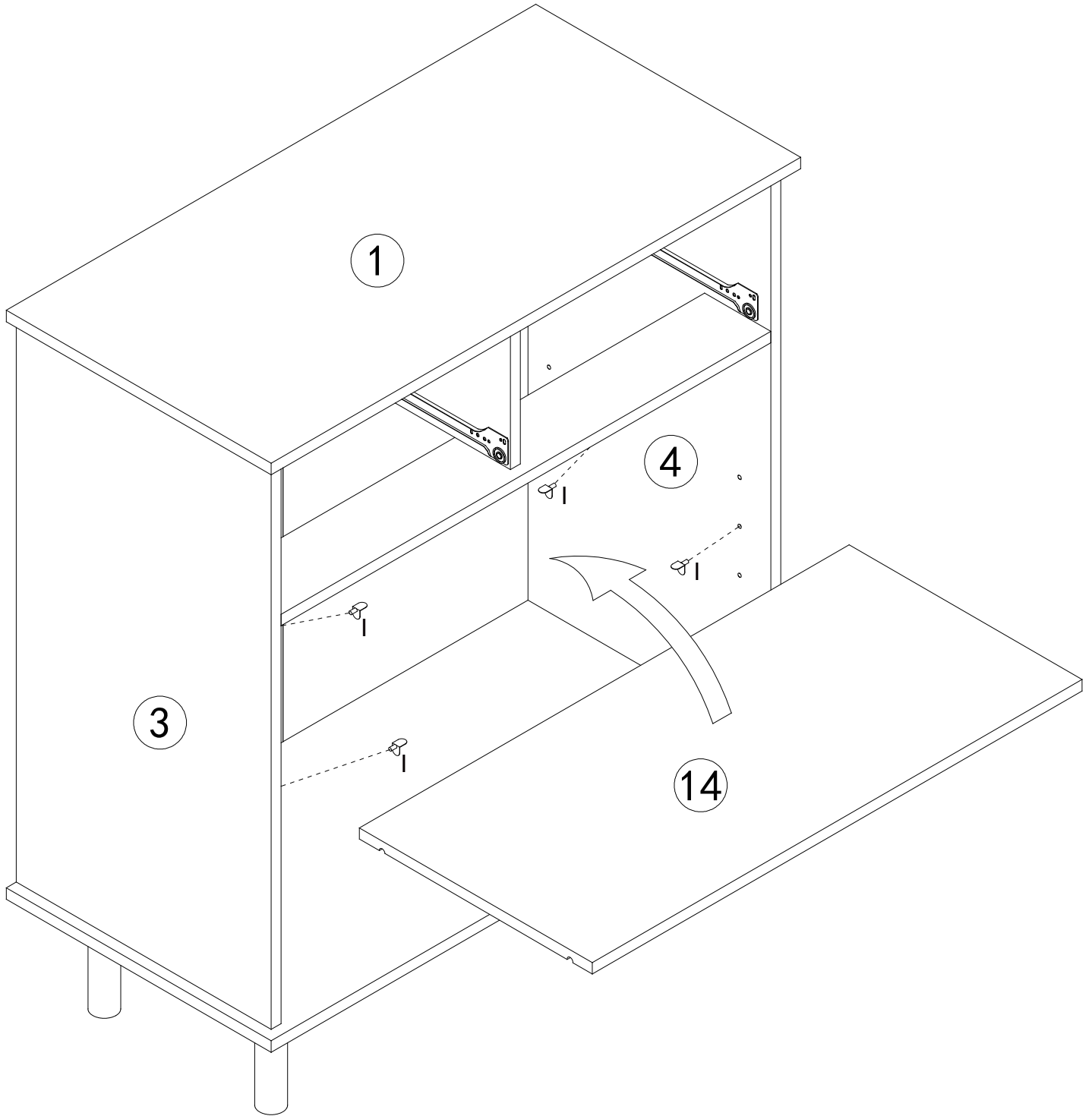
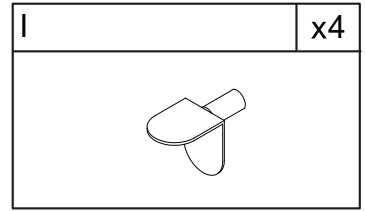
K	x12	J(DR)	x2	J(DL)	x2
					



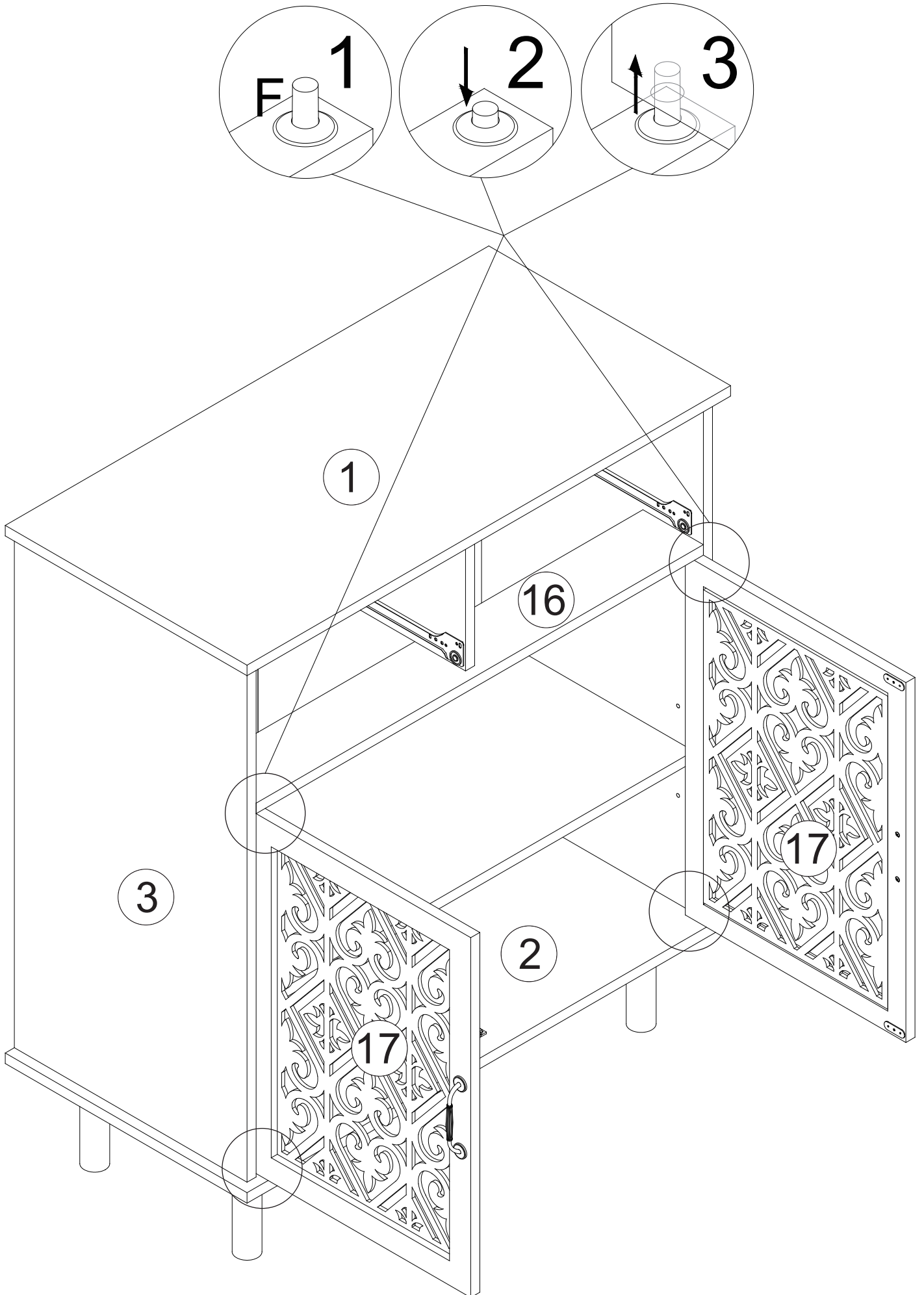
STEP 11



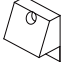

STEP 12

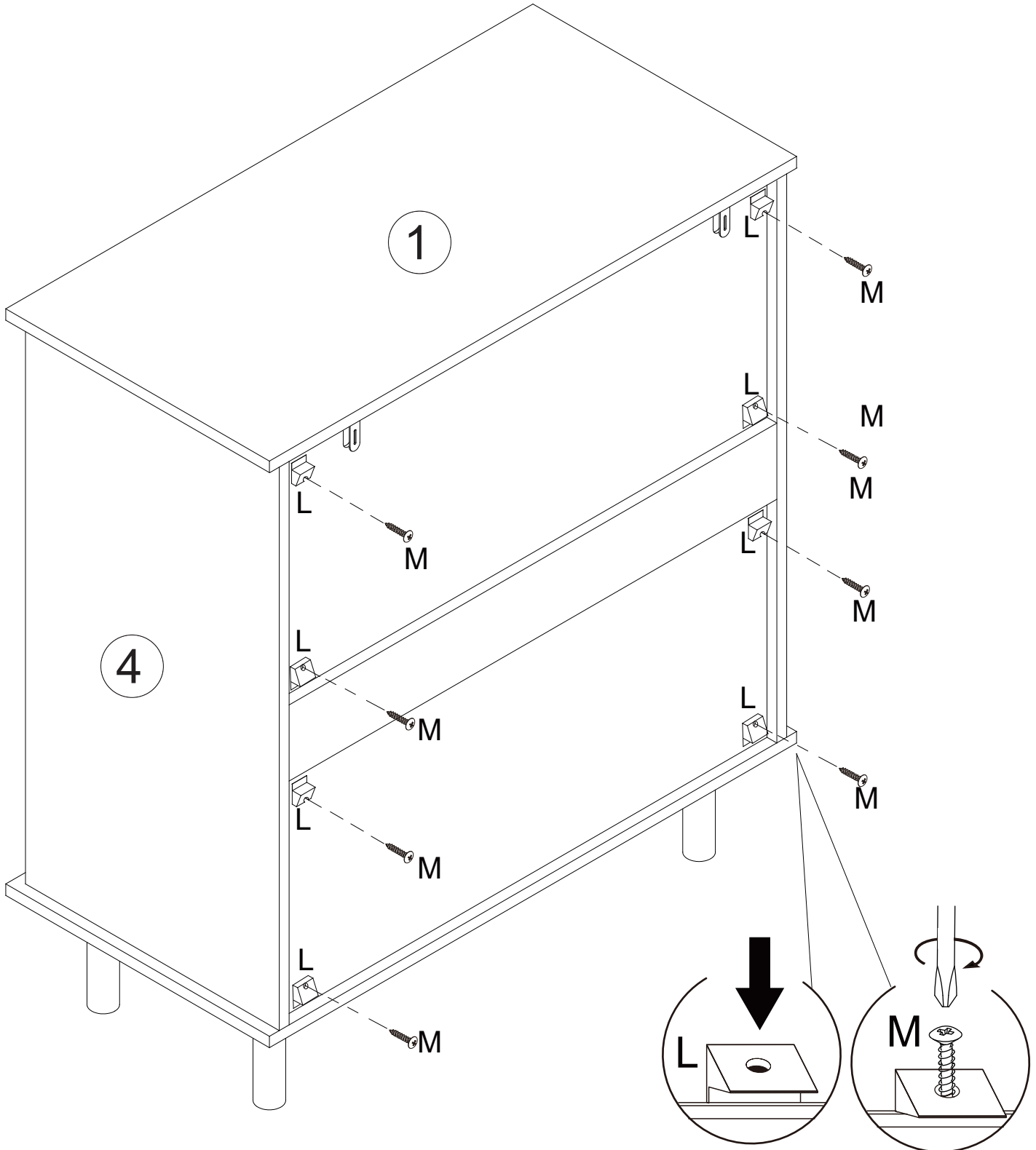


STEP 13


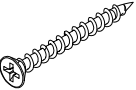


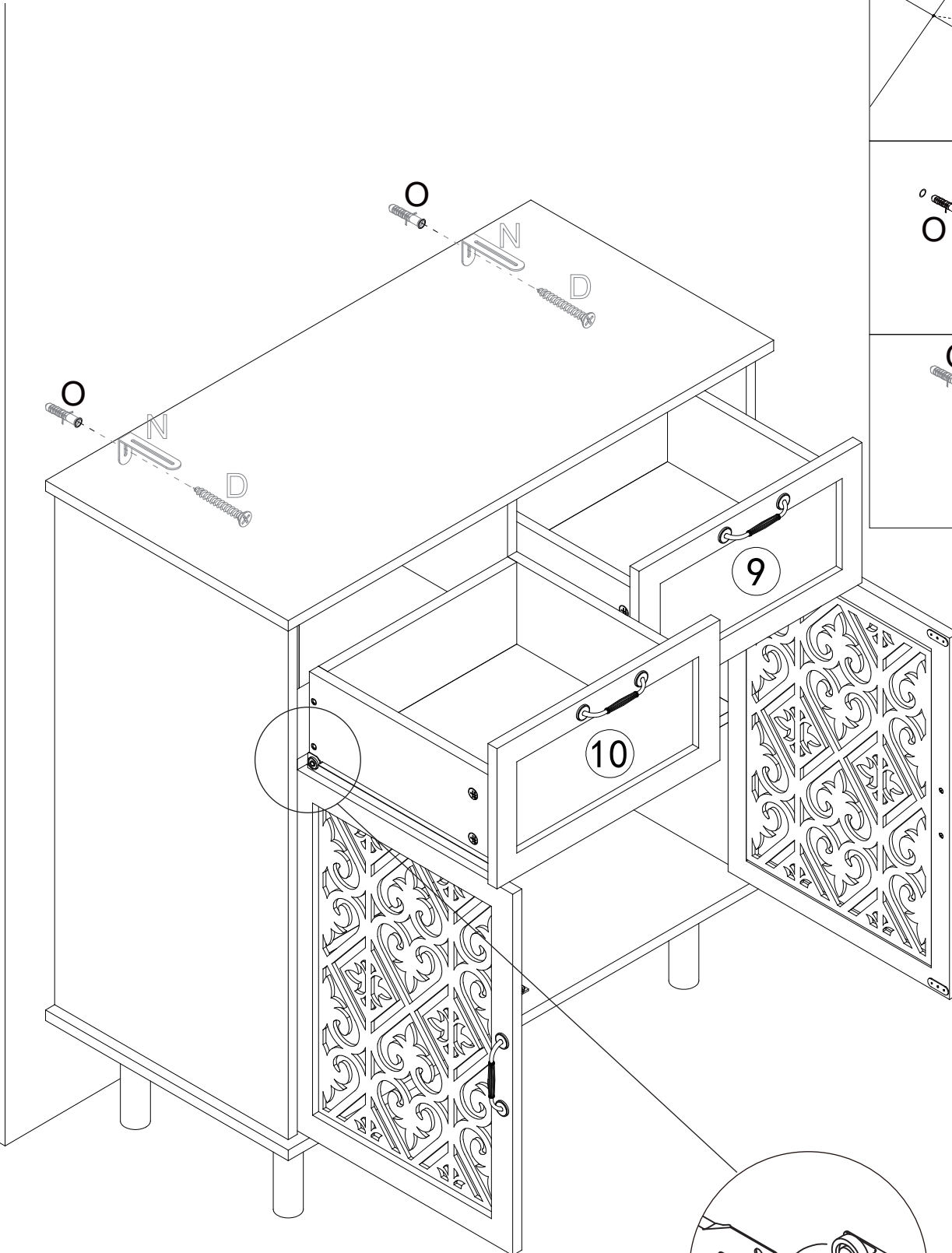
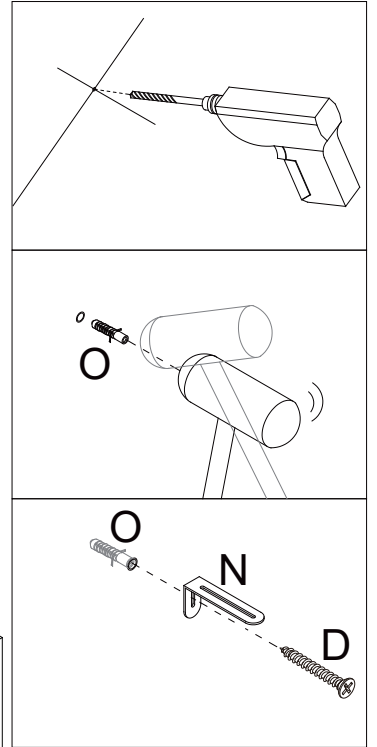
STEP 14

L	x8	M	x8
			



STEP 15

O	x2	D	x2
			



Proper Use

- DO NOT** use for commercial purposes
- DO NOT** use as a step stool or stand on table
- DO NOT** put hot serving liquid directly on the table top
- DO NOT** leave spilled liquid on the table top
- DO NOT** use table if damaged
- DO NOT** exceed weight limit
- DO NOT** make temporary repairs
- DO NOT** use outdoor

Dear Customer:

Thank you for purchasing our product,we wish you satisfy our service,if you have any further questions or any quality issues,please show the belows number and don't hesitate to contact our Customer Service People:

W688202405