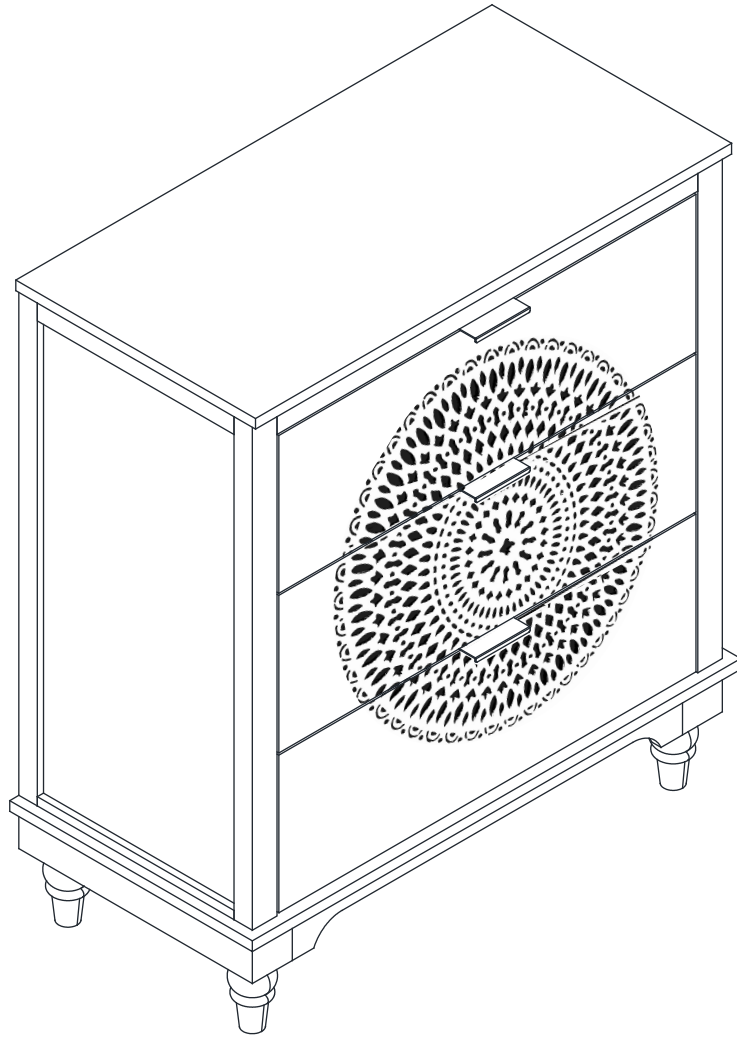


Installation Instruction



Product Name

3 Drawer Cabinet

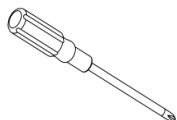
Ver.1.0 20231220

Assembling

What you need

Use the packaging carton as a working surface to prevent product damage during assembly

Phillips head screwdriver



Weight Limitation



2 PERSONS

What's included

Code	Description	Qty
A	Bolt M6X35MM	4
B	Wooden Dowel M6X30MM	4
C	Screw Φ 3x16mm	8
D	Screw Φ 4x16mm	6
E	Handle	3
F	Metal Washer	4
G	Cam Lock 15X10MM	14
H	Allen Key	1
I	Plastic Corner Support	8
J	Screw Φ 4x35mm	18
K	Nylon Strap	2
L	Screw M4X12MM	2
M	Anchor M6X30MM	2
N	Cam Bolt M6X35MM	14

The Hardwares

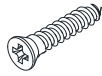
A



B



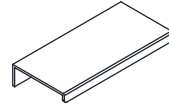
C



D



E



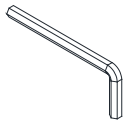
F



G



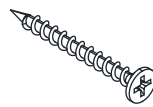
H



I



J



K



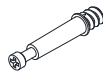
L



M



N



IMPORTANT:

1. Do not tighten bolts / screws completely until all bolts / screws are lined up and inserted into holes.
2. Do not over tighten screws and bolts to avoid stripping.
3. Please use hand tools to assemble this product. Do not use power tools.
4. Must need 2 people to assemble this product.

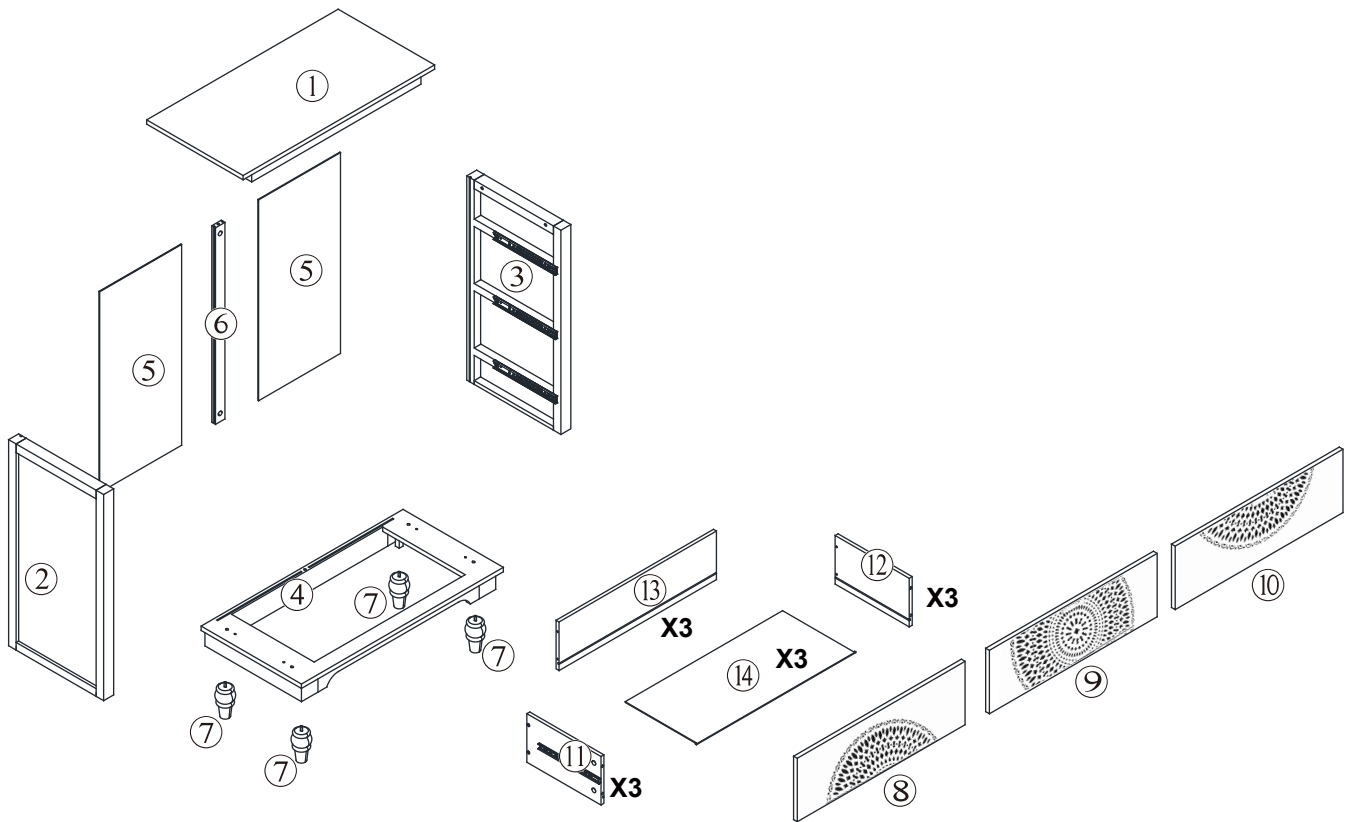


2 PERSONS

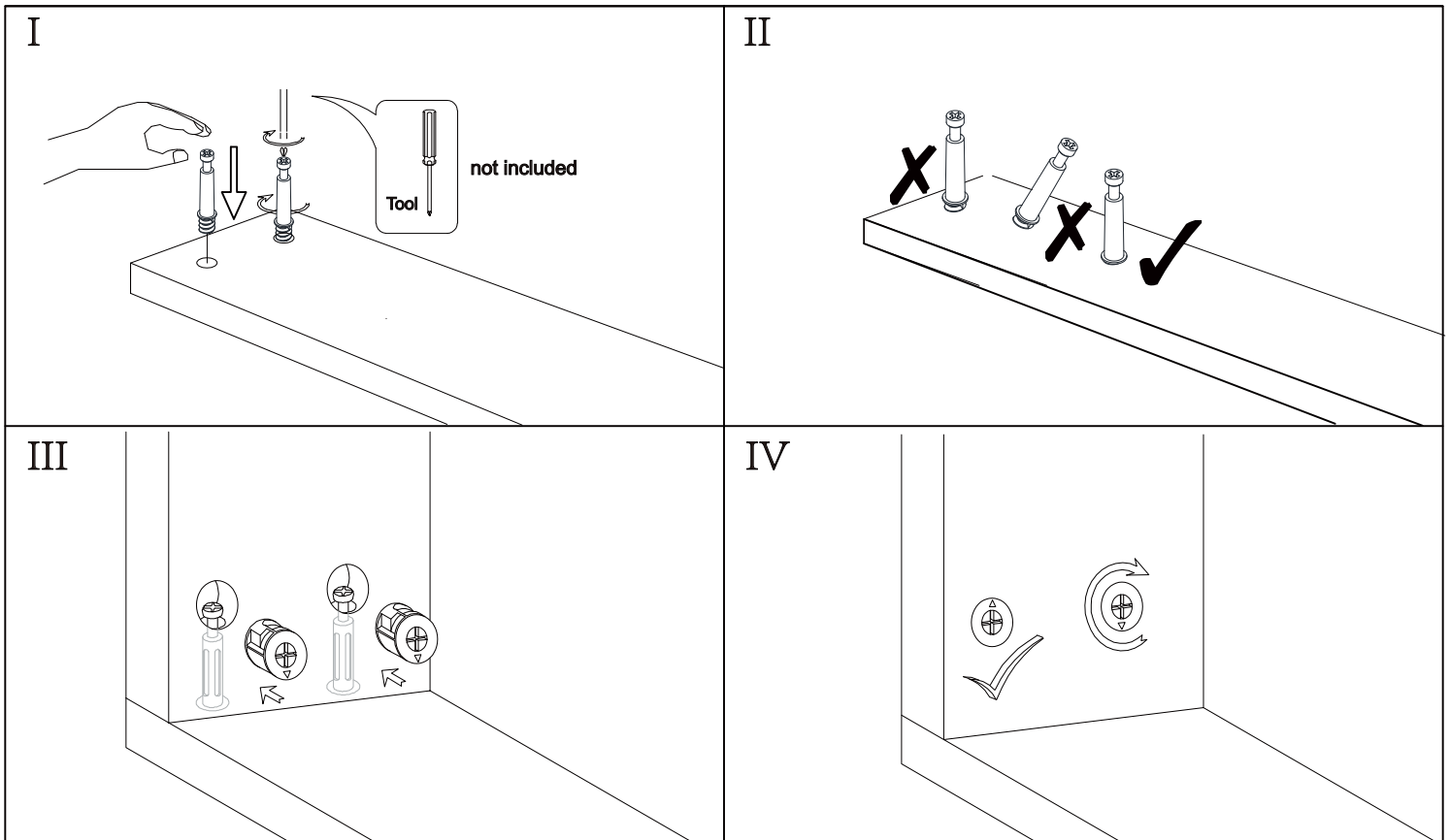
Included Accessories

Code	Description	Qty
1	Cabinet Top	1
2	Left Side Panel	1
3	Right Side Panel	1
4	Bottom Panel	1
5	Back Panel	2
6	Back Stretcher	1
7	Foot	4
8	Upper Drawer Front Panel	1
9	Middle Drawer Front Panel	1
10	Lower Drawer Front Panel	1
11	Drawer Left Side Panel	3
12	Drawer Right Side Panel	3
13	Drawer Back Panel	3
14	Drawer Bottom Panel	3

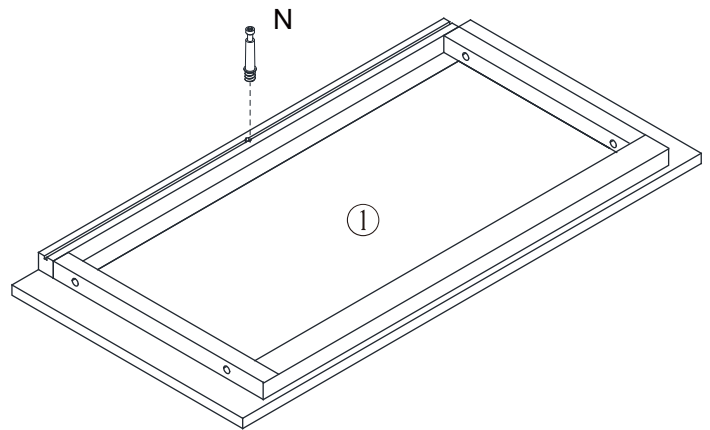
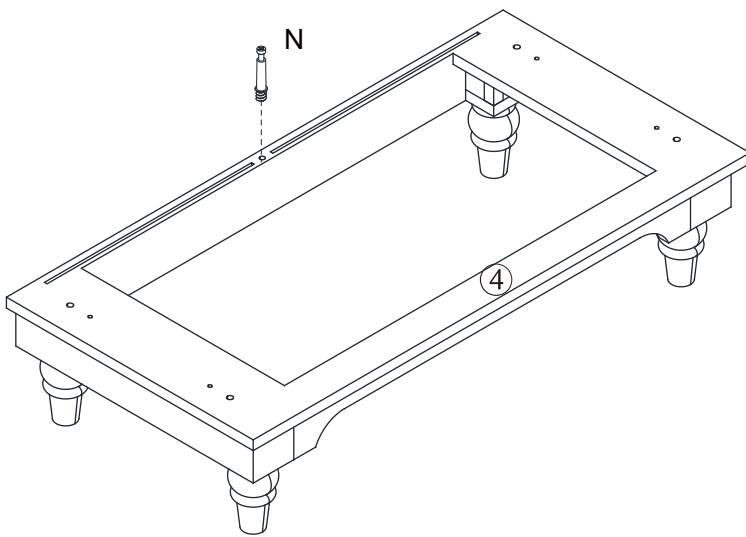
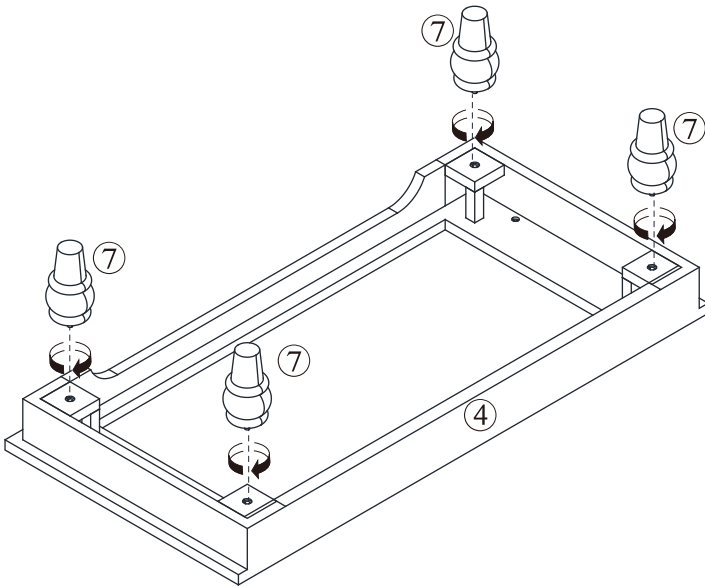
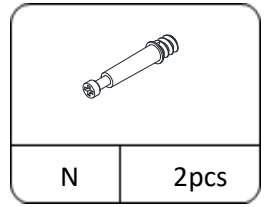
The Accessoriess



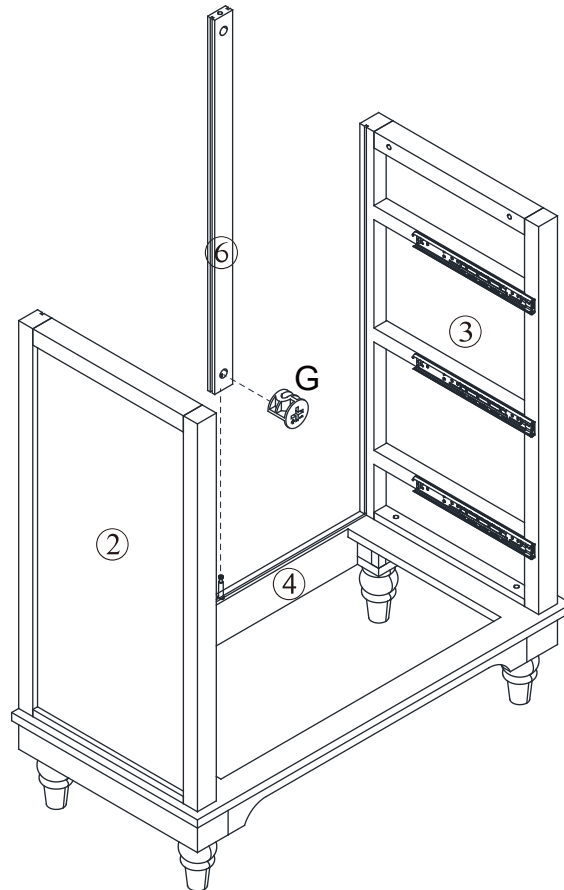
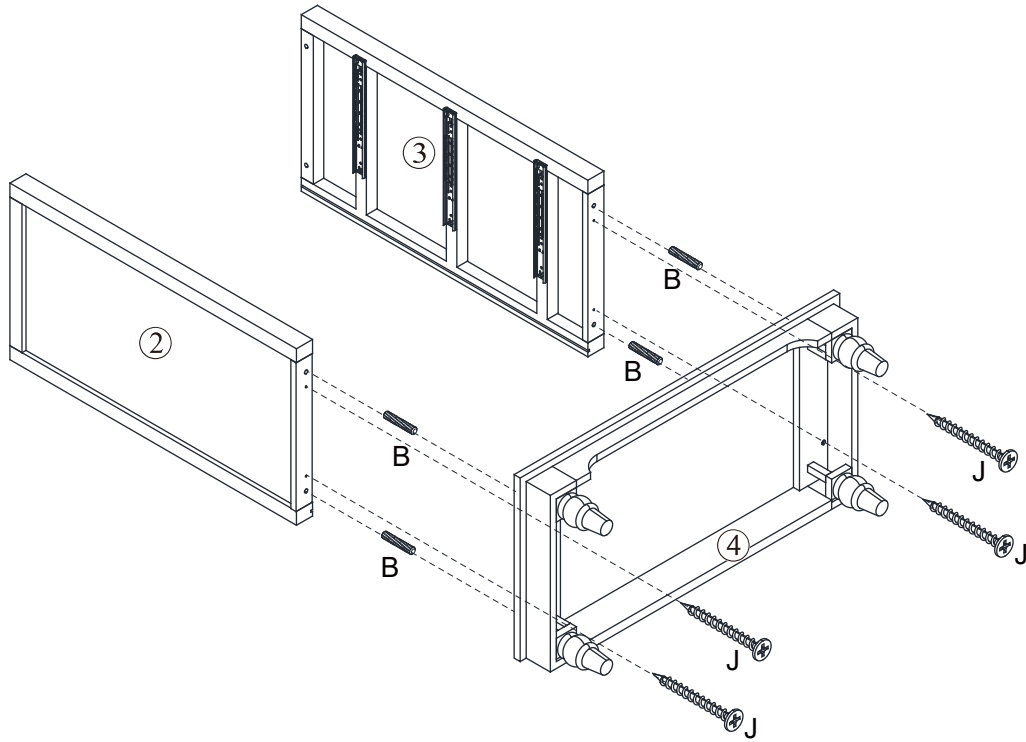
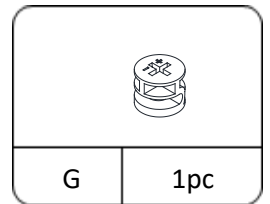
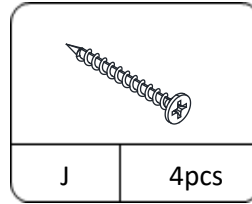
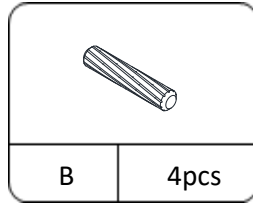
NOTED:



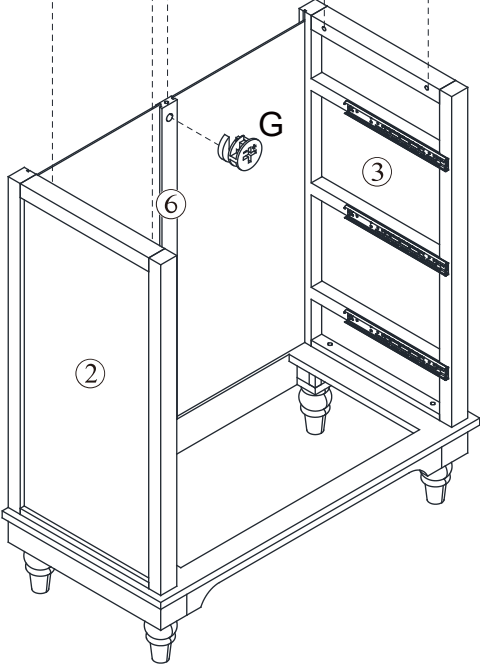
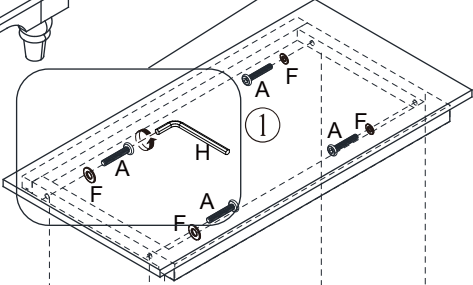
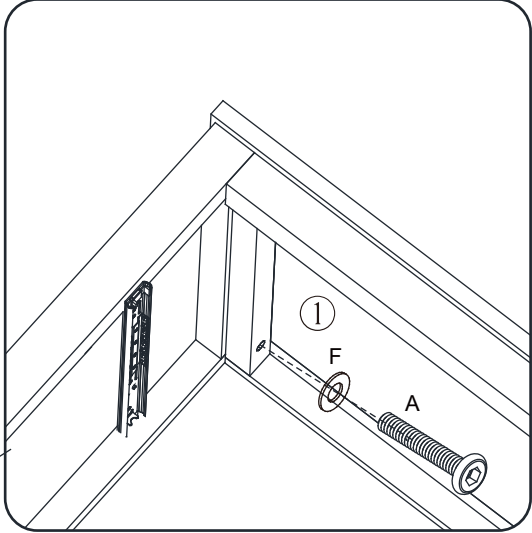
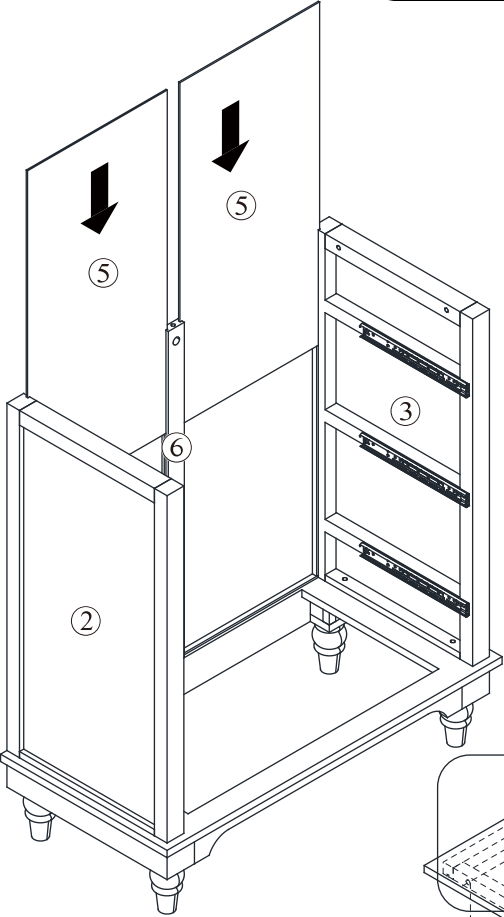
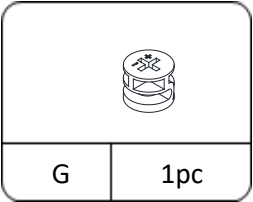
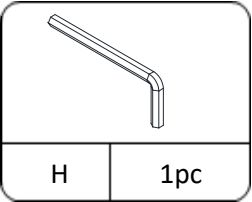
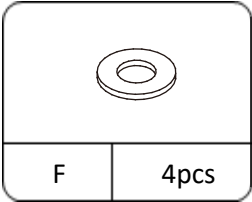
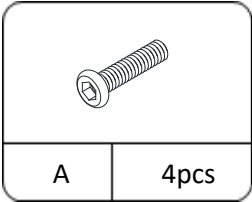
Step1



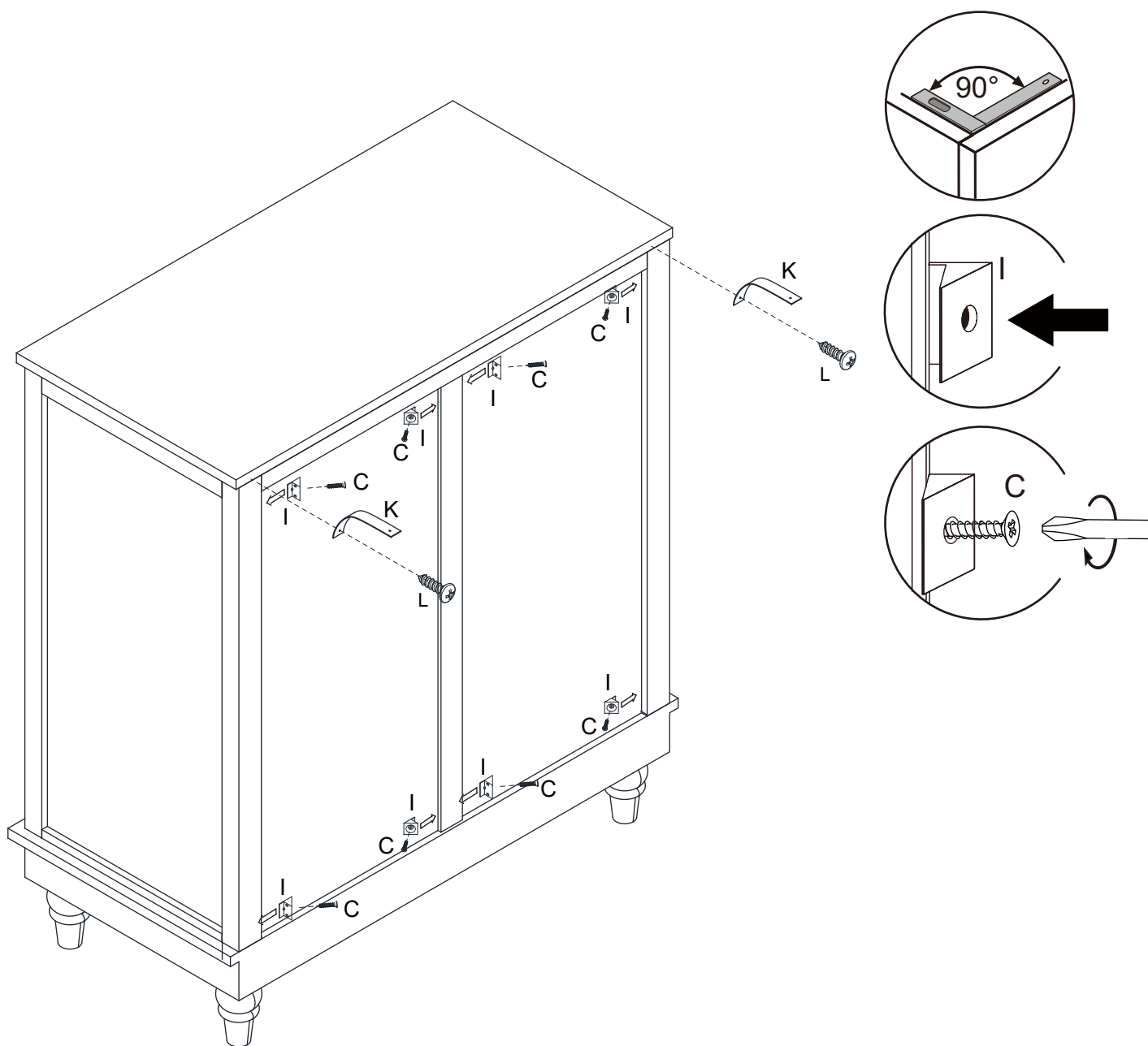
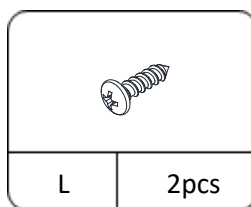
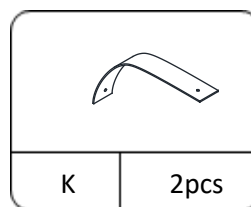
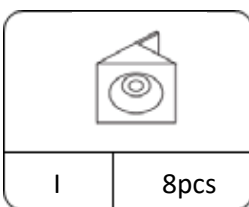
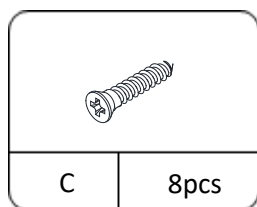
Step2




Step3

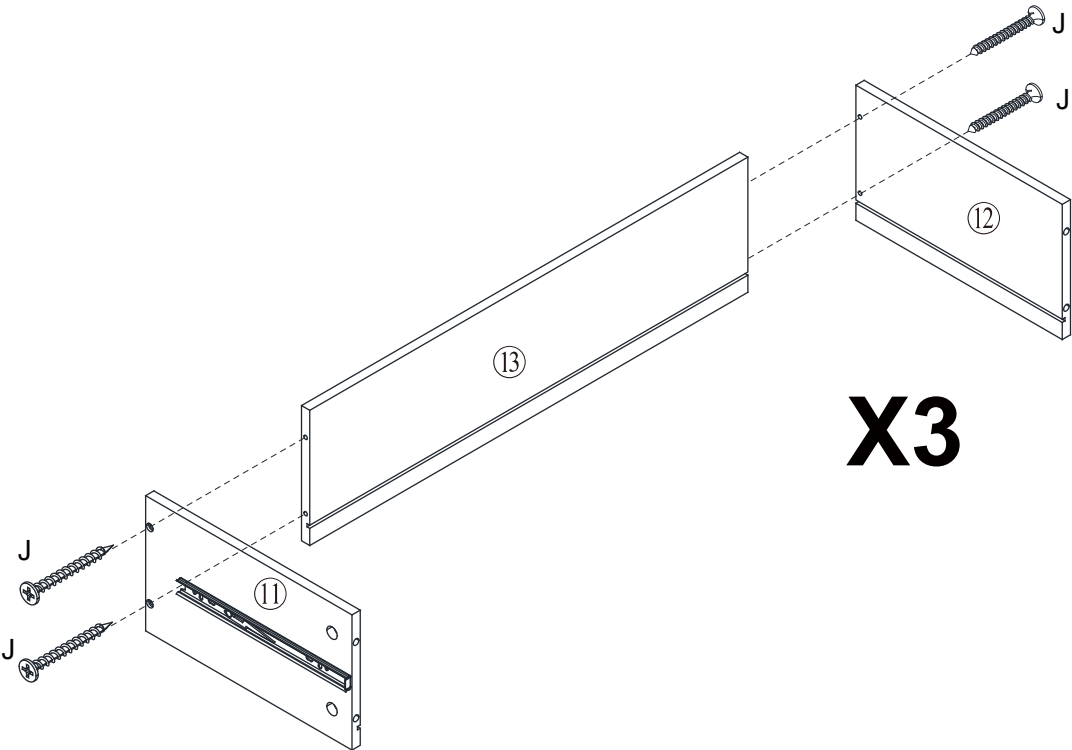


Step4

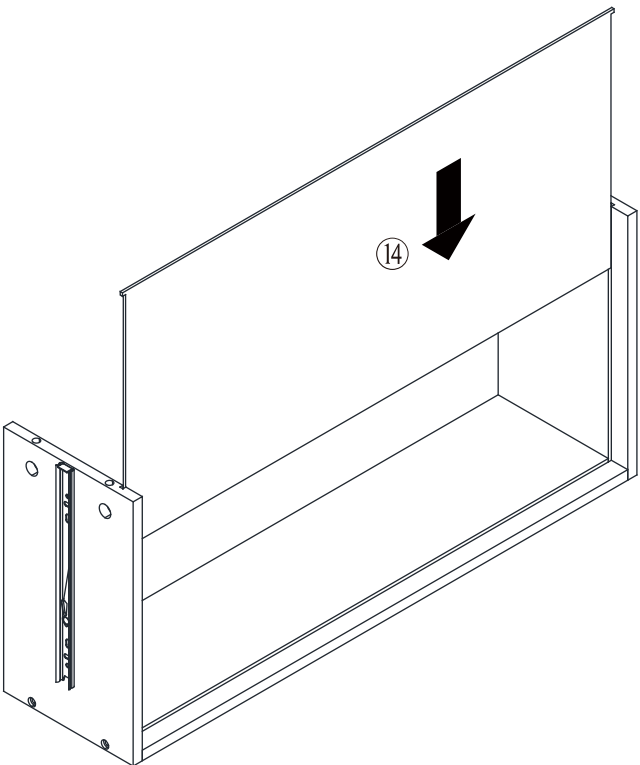


Step5

	
J	12 pcs

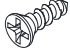


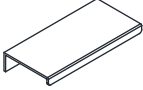
X3

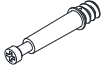


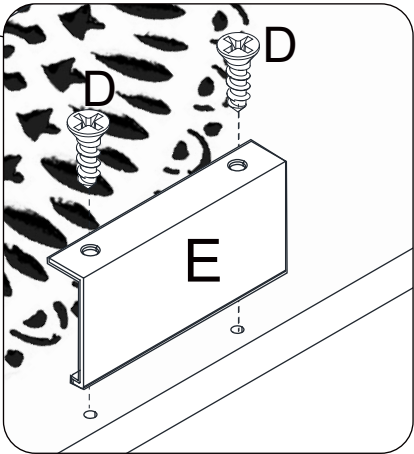
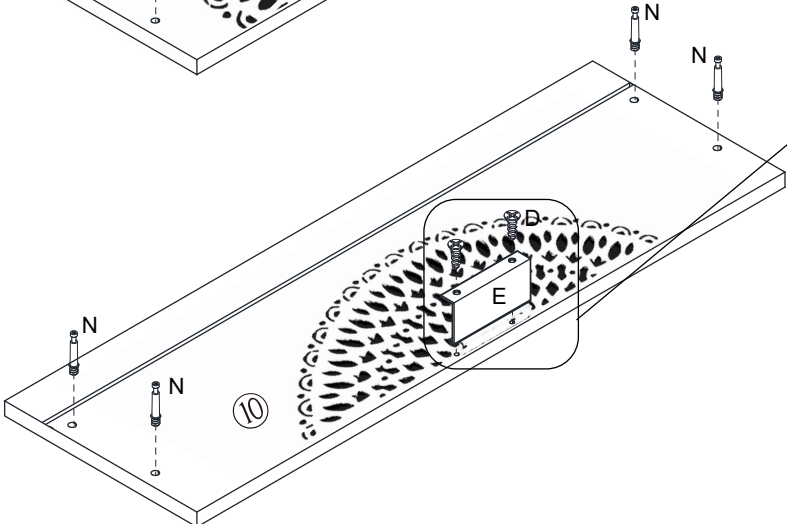
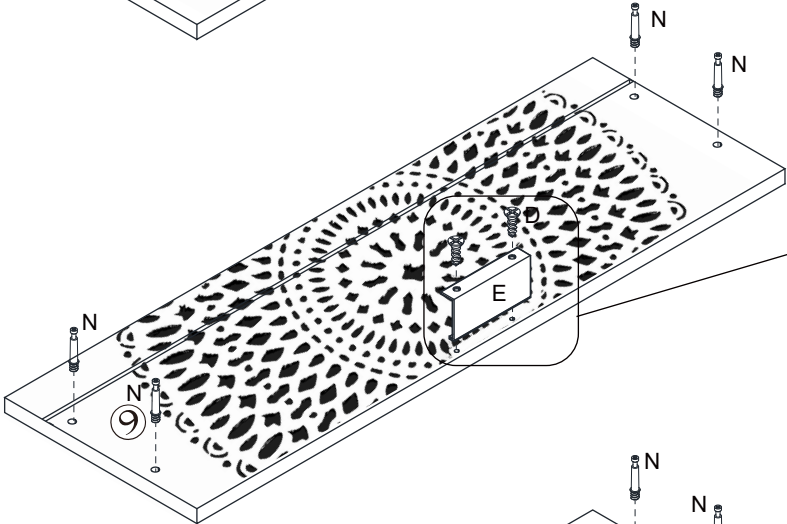
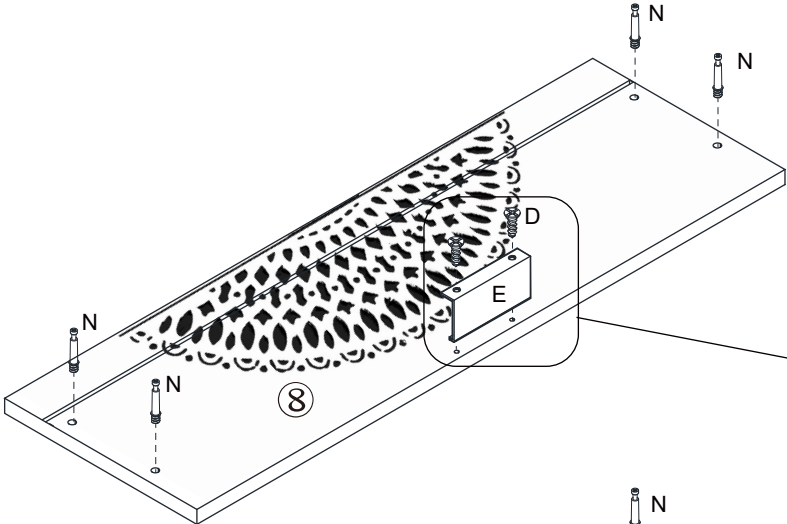
X3

Step6


	
D	6pcs

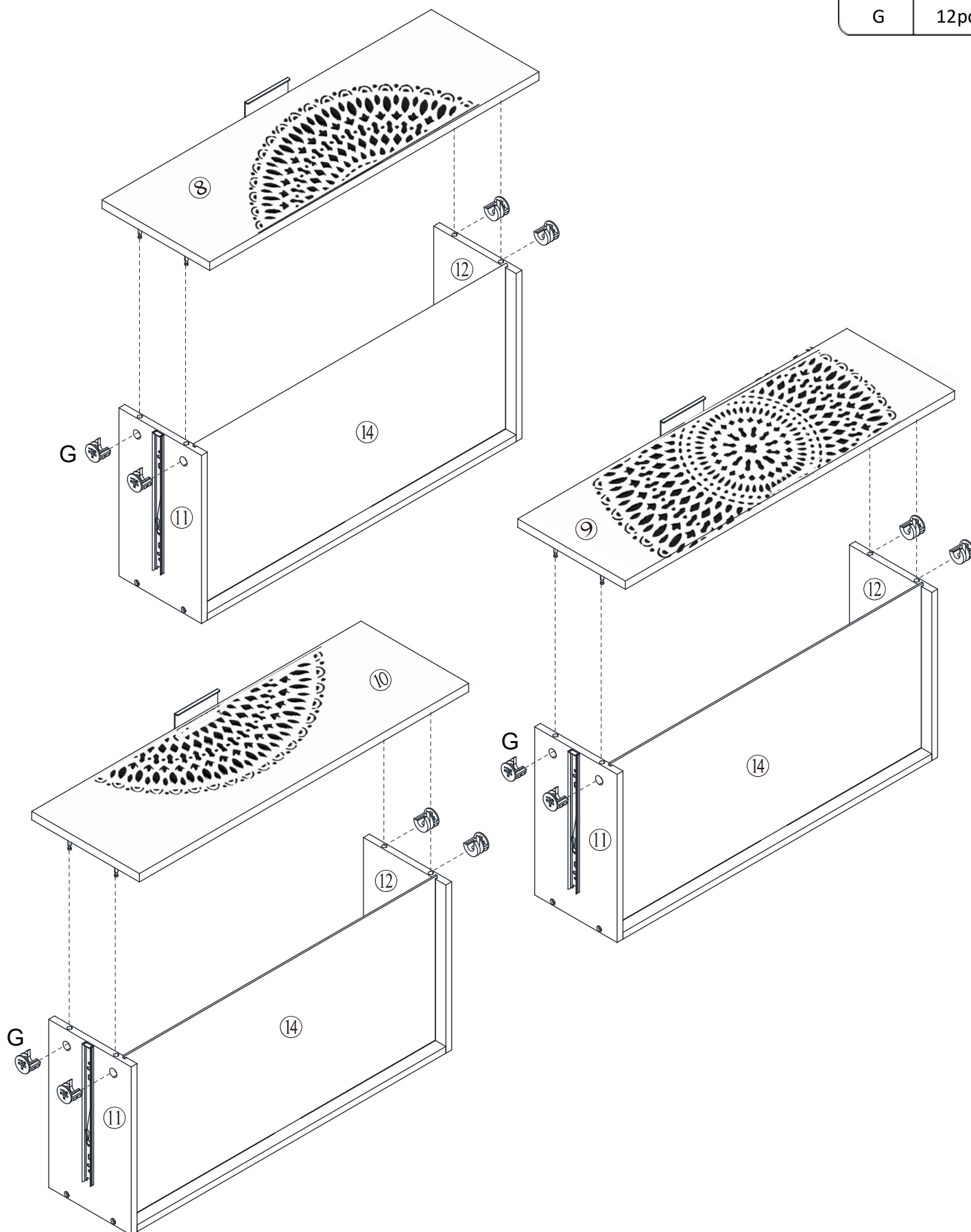
	
E	3pcs

	
N	12pcs

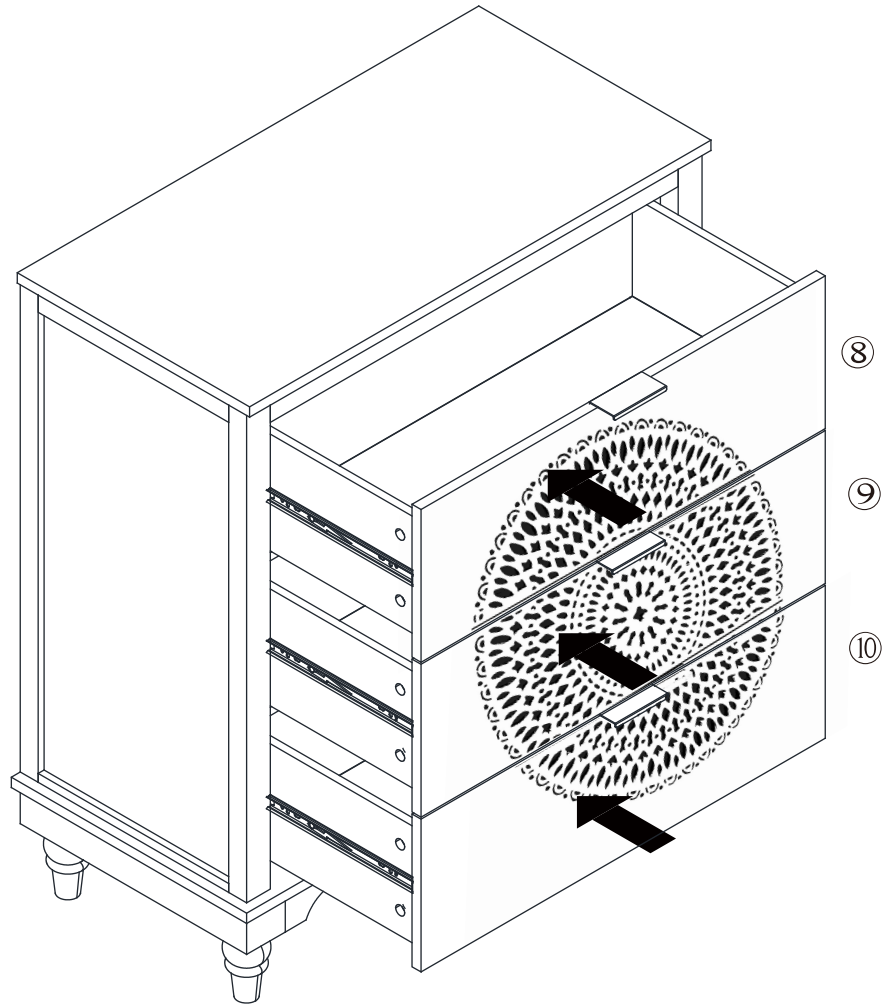
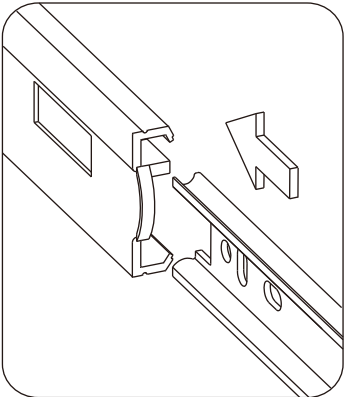
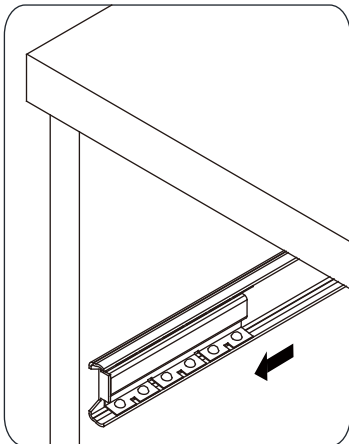


Step 7

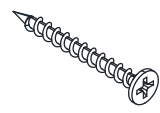
	
G	12pcs




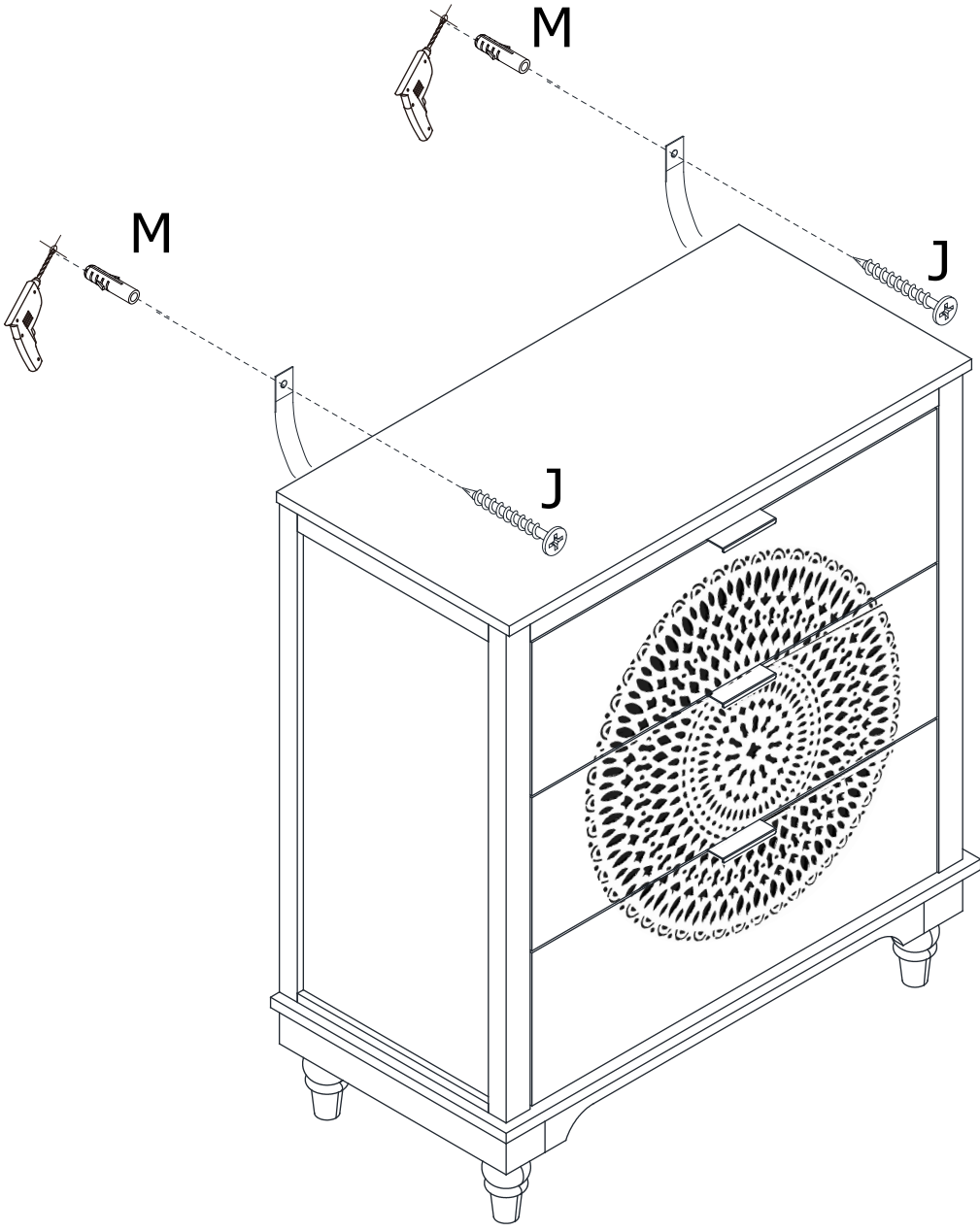
Step 8



Step9

	
J	2pcs

	
M	2pcs



Proper Use

- DO NOT** use for commercial purposes
- DO NOT** use as a step stool or stand on table
- DO NOT** put hot serving liquid directly on the table top
- DO NOT** leave spilled liquid on the table top
- DO NOT** use table if damaged
- DO NOT** exceed weight limit
- DO NOT** make temporary repairs
- DO NOT** use outdoor

Dear Customer:

Thank you for purchasing our product, we wish you satisfy our service, if you have any further questions or any quality issues, please show the belows number and don't hesitate to contact our Customer Service People :

W688202312