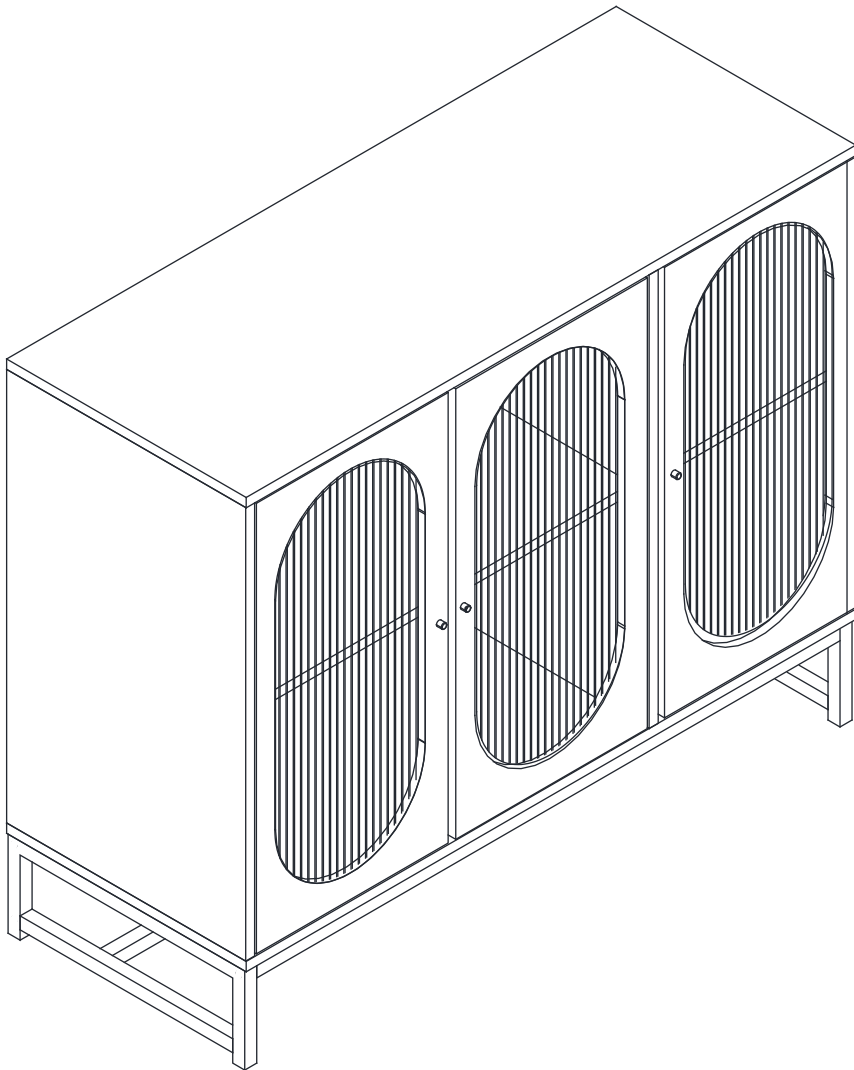


Installation Instruction



product name

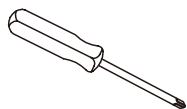
3 Door Cabinet

Ver.1.0 20221024

Assembling

What you need

- Use the packaging carton as a working surface to prevent product damage during assembly
- Phillips head screwdriver



Weight Limitation



44

lbs table top

22

lbs per shelf



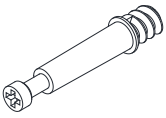
2 PERSONS

What's included

| Code | Description | Qty |
|------|------------------------|-----|
| A | Cam Bolt M6X35MM | 14 |
| B | Cam Lock 15X10MM | 14 |
| C | Wooden Dowel M6X30MM | 14 |
| D | Wooden Dowel M6X50MM | 1 |
| E | Magnetic Door Catcher | 4 |
| F | Screw M3X14MM | 16 |
| G | Screw M4X35MM | 10 |
| H | Nylon Strap | 2 |
| I | Bolt M6X30MM | 10 |
| J | Metal Support | 8 |
| K | Anchor M6X30MM | 2 |
| L | Bolt M4X18MM | 3 |
| M | Handle | 3 |
| N | Screw M3X12MM | 6 |
| O | Metal Plate | 6 |
| P | Metal Pin | 6 |
| Q | Allen Key | 1 |
| R | Plastic corner support | 8 |
| S | Screw M4X14MM | 2 |

The Hardwares

A



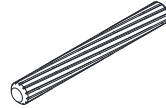
B



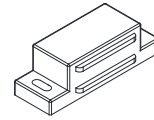
C



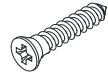
D



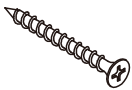
E



F



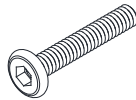
G



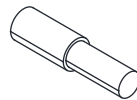
H



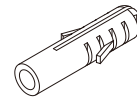
I



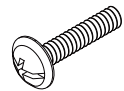
J



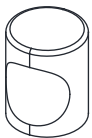
K



L



M



N



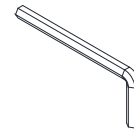
O



P



Q



R



S



IMPORTANT:

1. Do not tighten bolts / screws completely until all bolts / screws are lined up and inserted into holes.
2. Do not over tighten screws and bolts to avoid stripping.
3. Please use hand tools to assemble this product. Do not use power tools.
4. Must need 2 people to assemble this product.

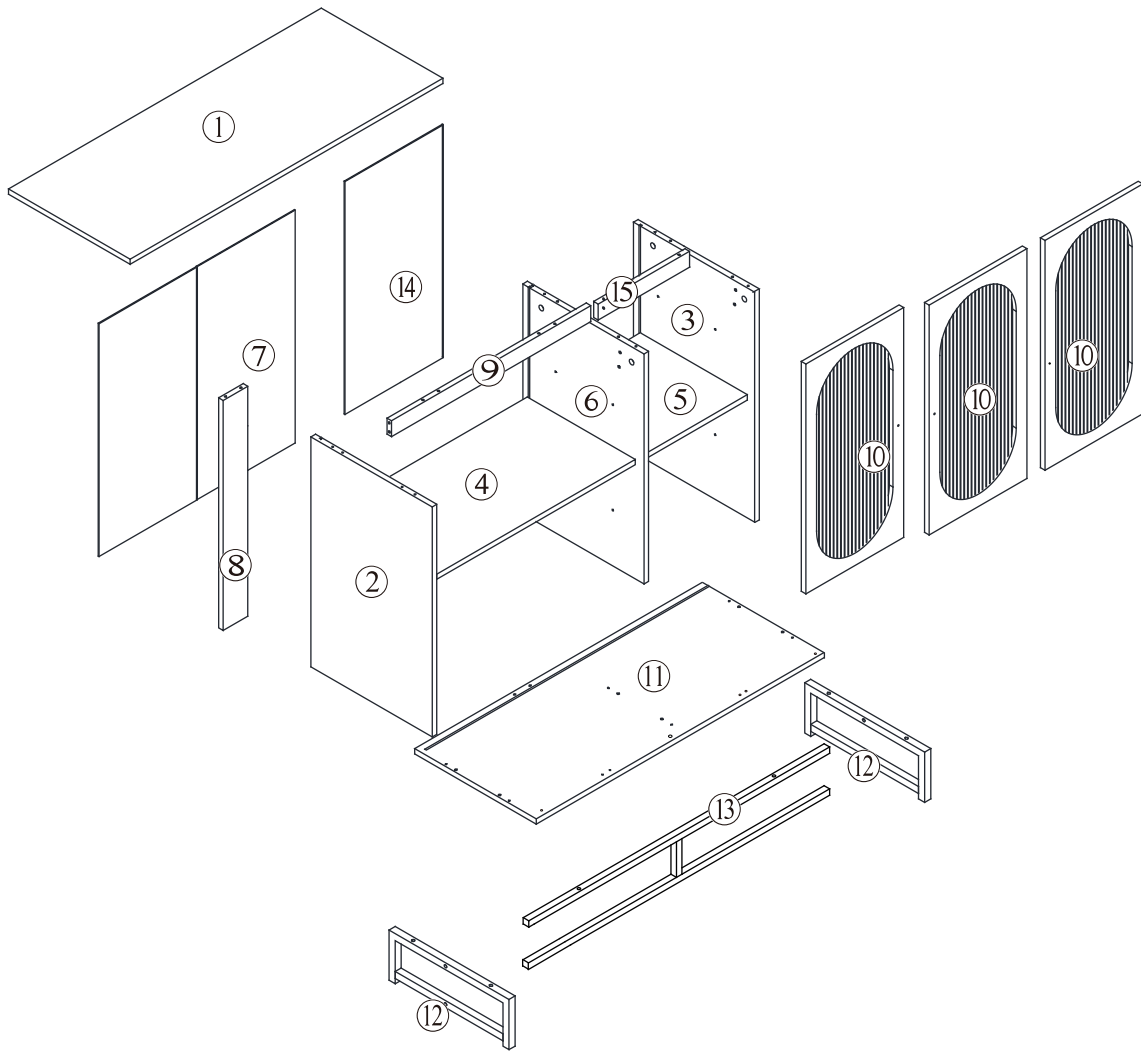


2 PERSONS

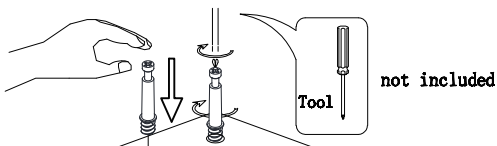
Included Accessories

| Code | Description | Qty |
|------|----------------------------------|-----|
| 1 | Cabinet Top | 1 |
| 2 | Left Side Panel | 1 |
| 3 | Right Side Panel | 1 |
| 4 | Shelf | 1 |
| 5 | Shelf | 1 |
| 6 | Middle Division Panel | 1 |
| 7 | Left Back Panel | 1 |
| 8 | Vertical Back Stretcher | 1 |
| 9 | Left Horizontal Front Stretcher | 1 |
| 10 | Door | 3 |
| 11 | Bottom Panel | 1 |
| 12 | Side Frame | 2 |
| 13 | Top Metal Stretcher | 1 |
| 14 | Right Back Panel | 1 |
| 15 | Right Horizontal Front Stretcher | 1 |

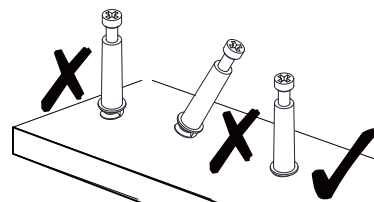
The Accessoriess



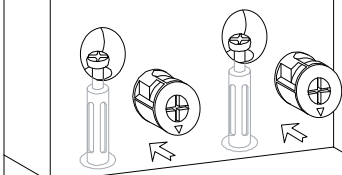
I



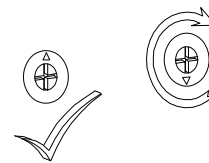
II



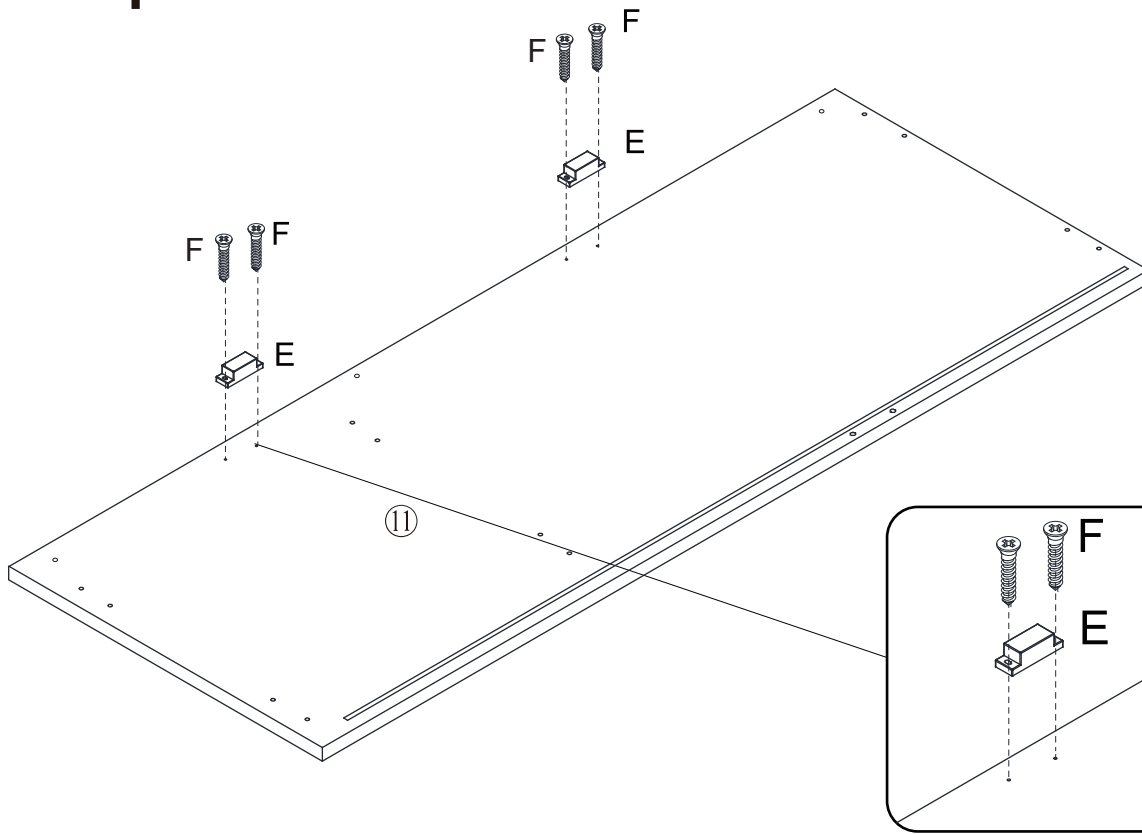
III



IV

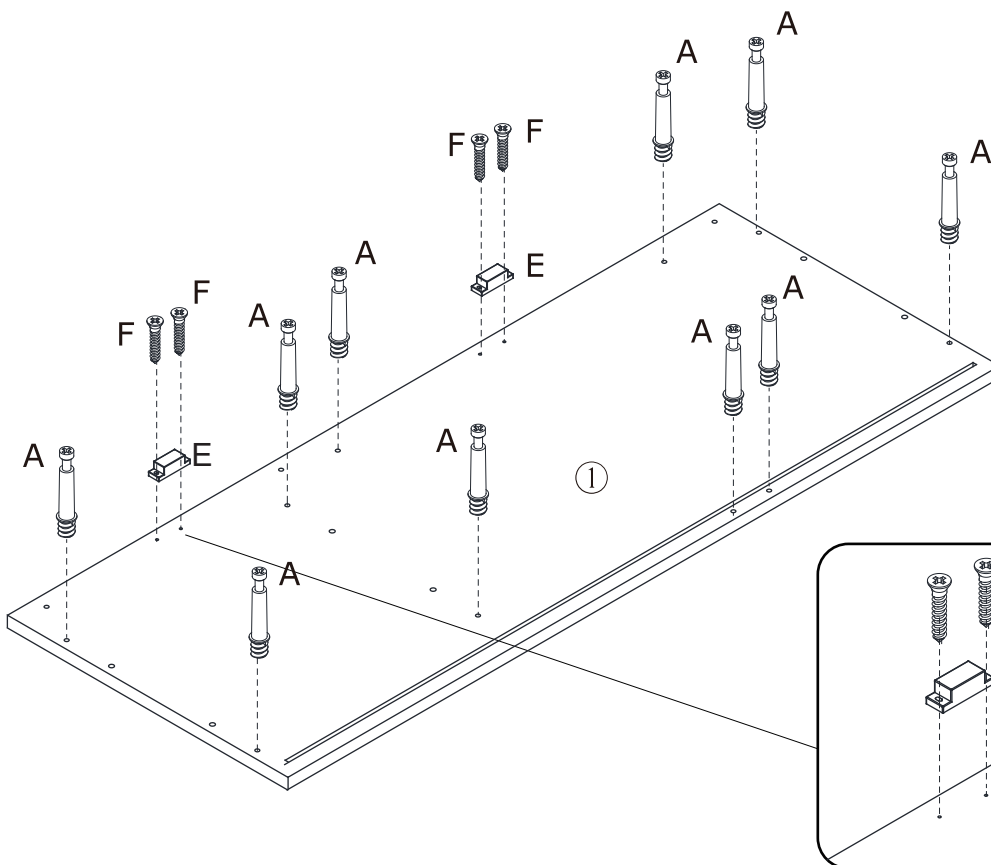


step 1



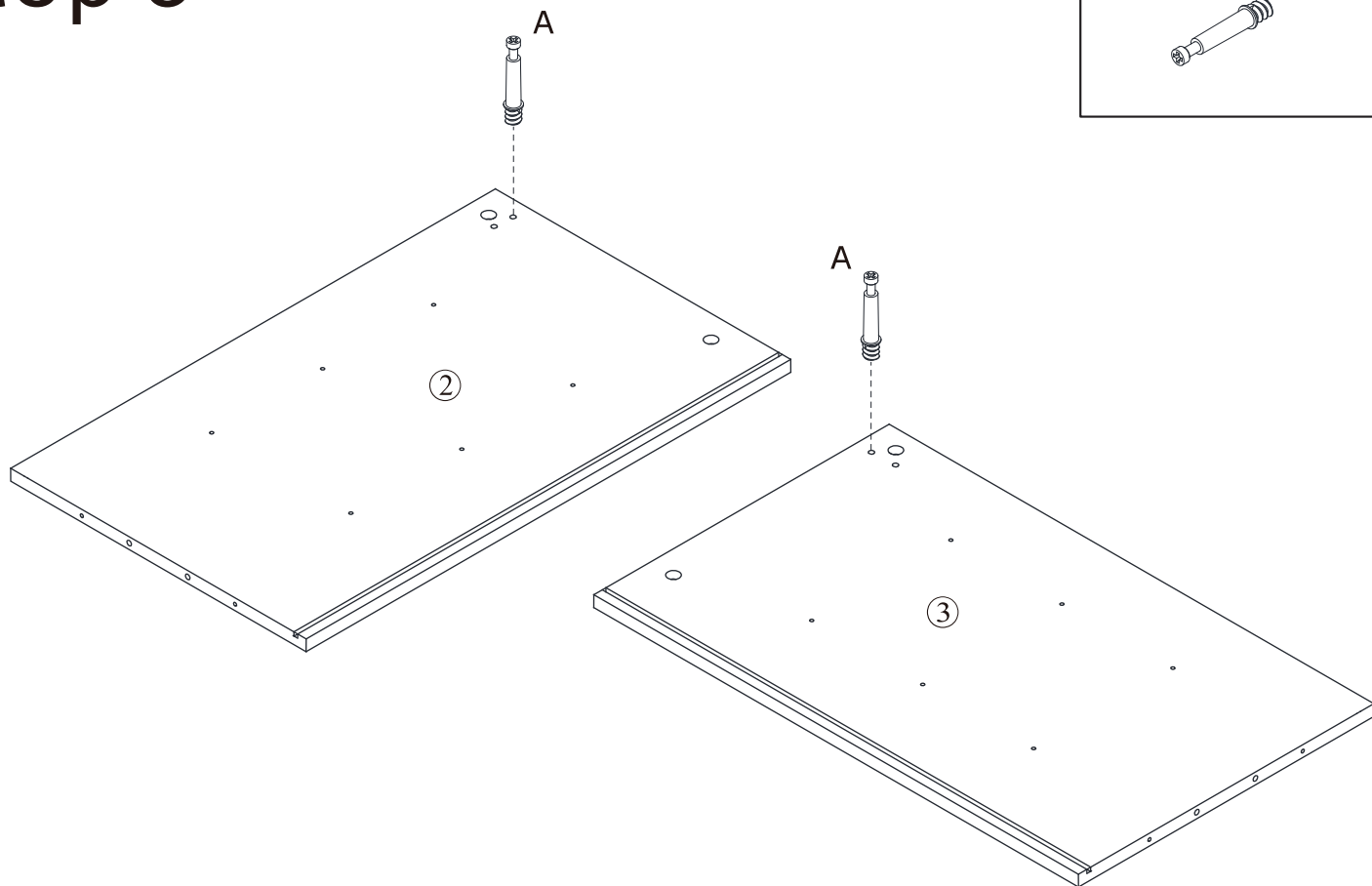
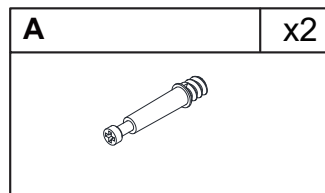
| | |
|---|----|
| E | x2 |
| | |
| F | x4 |
| | |

step 2

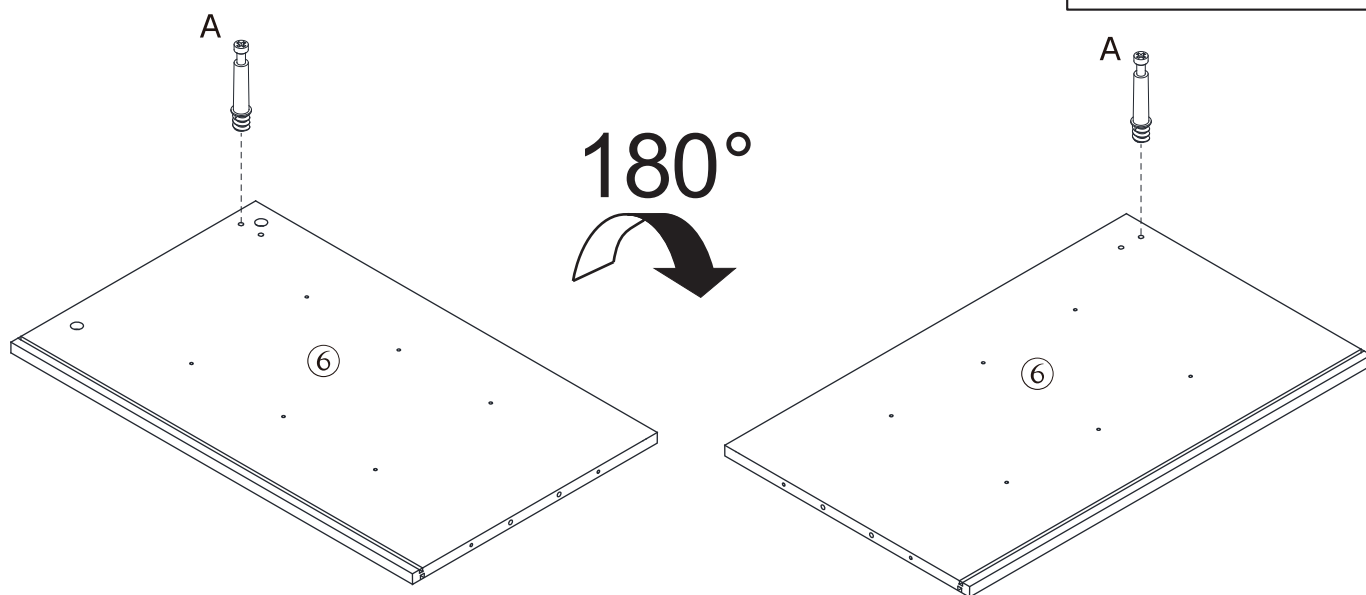
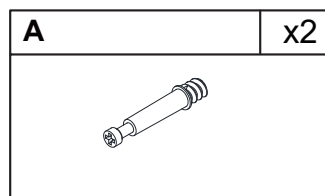


| | |
|---|-----|
| A | x10 |
| | |
| E | x2 |
| | |
| F | x4 |
| | |

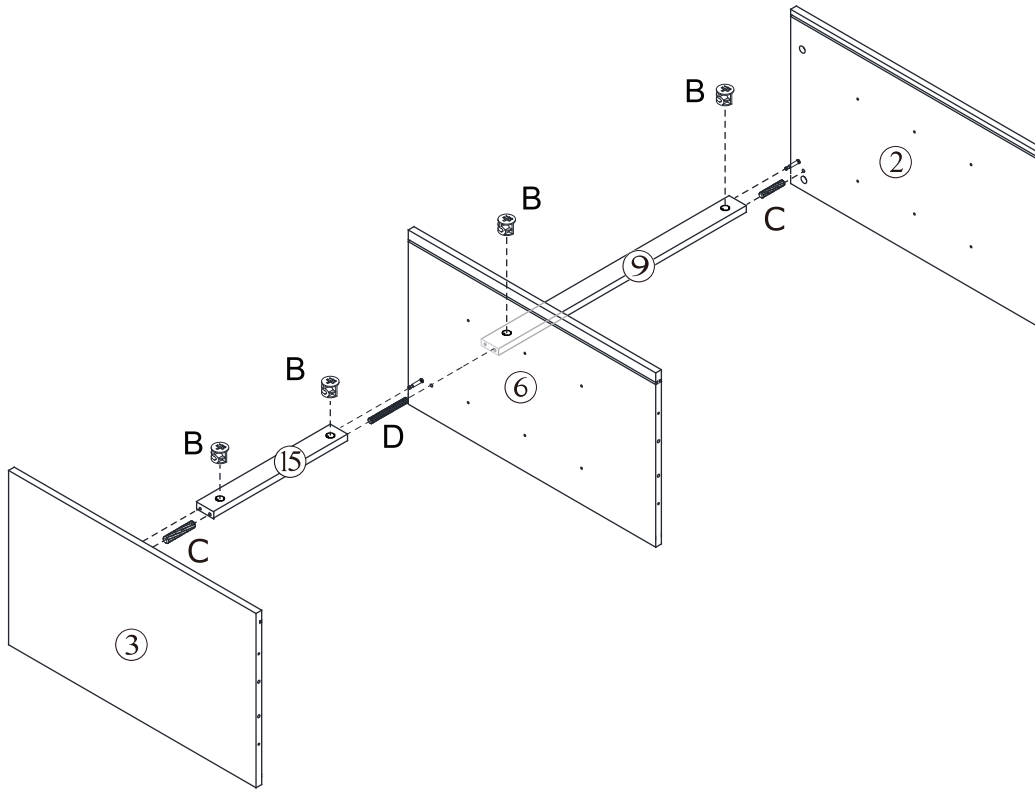
step 3






step 4

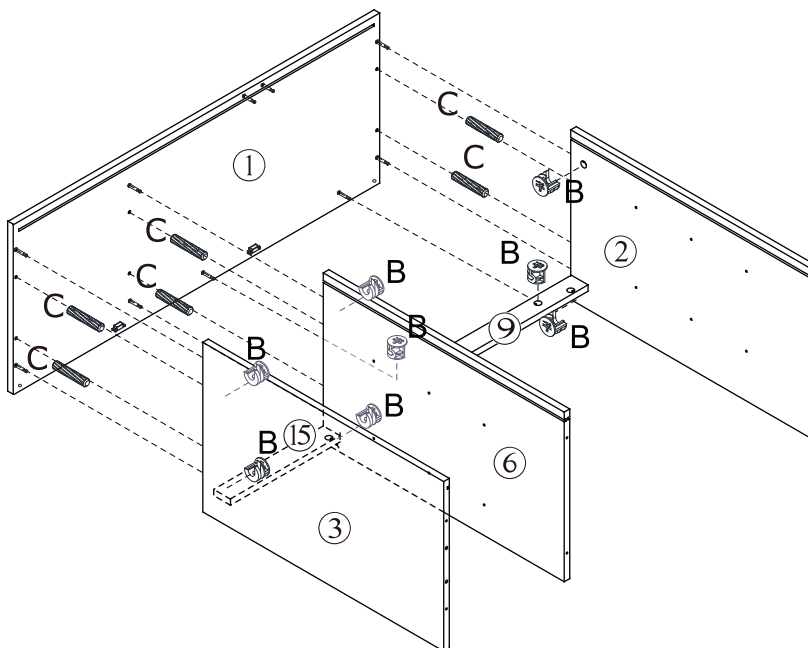




step 5



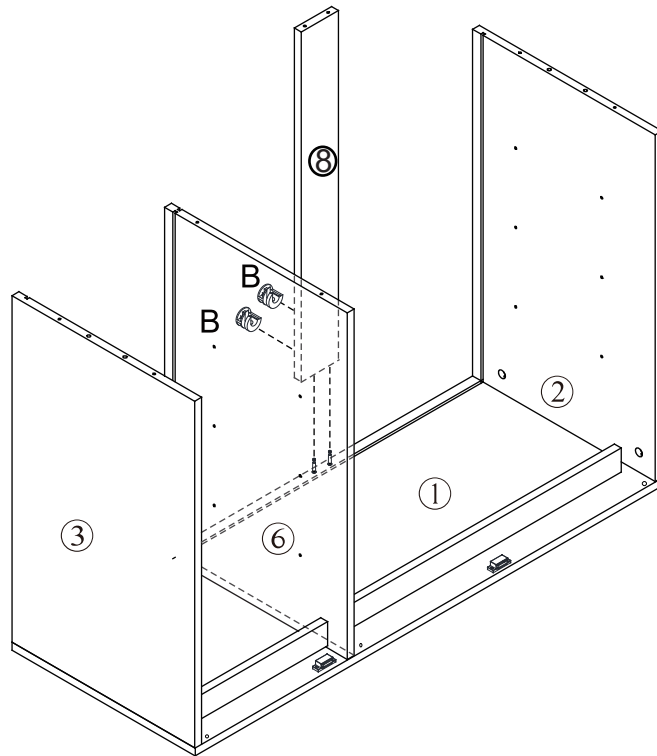
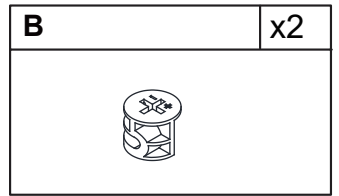
| | |
|---|----|
| B | x4 |
|  | |
| C | x2 |
|  | |
| D | x1 |
|  | |

step 6

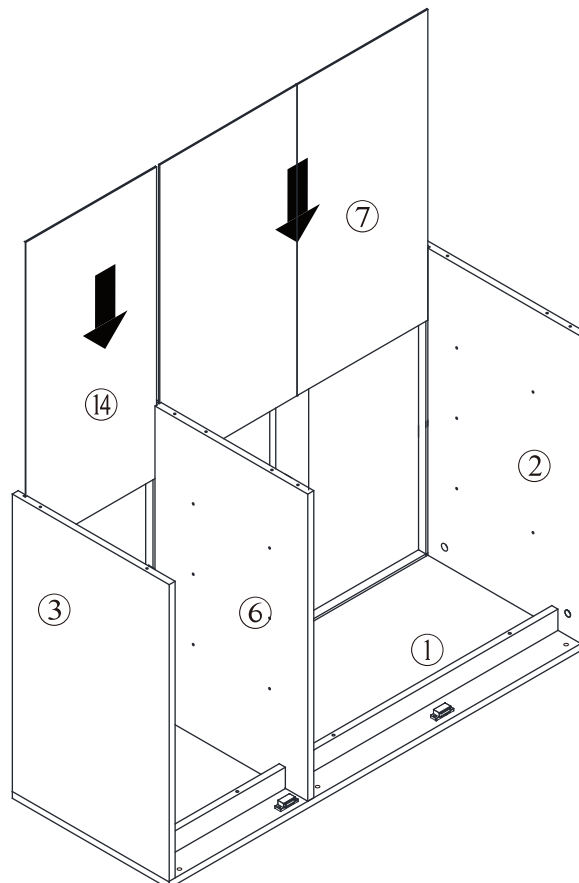


| | |
|---|----|
| B | x8 |
|  | |
| C | x6 |
|  | |

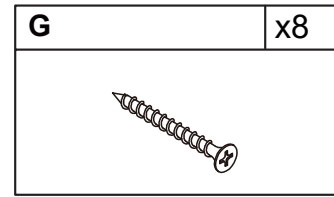
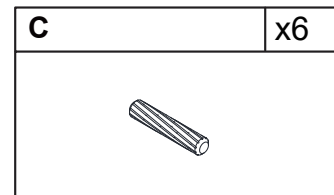
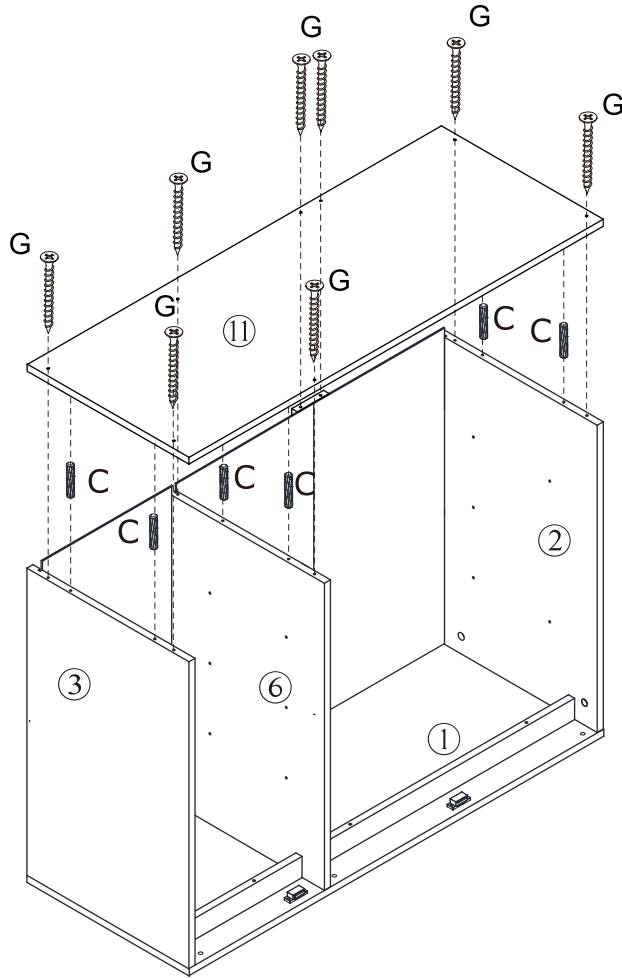
step 7



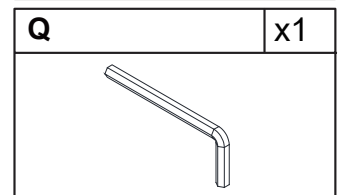
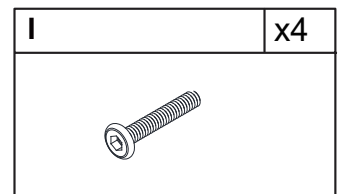
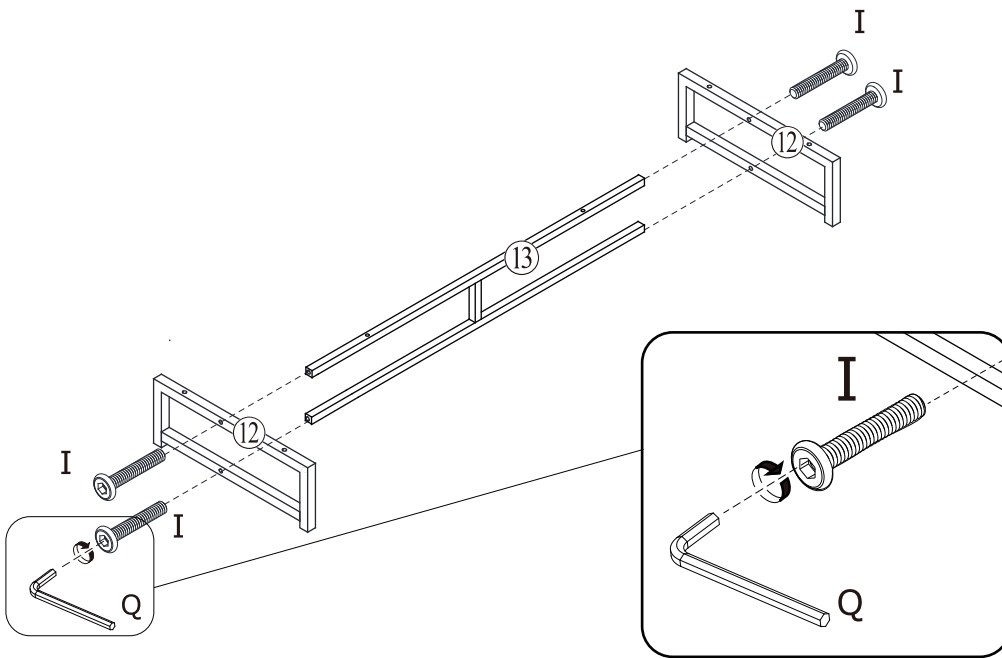
step 8



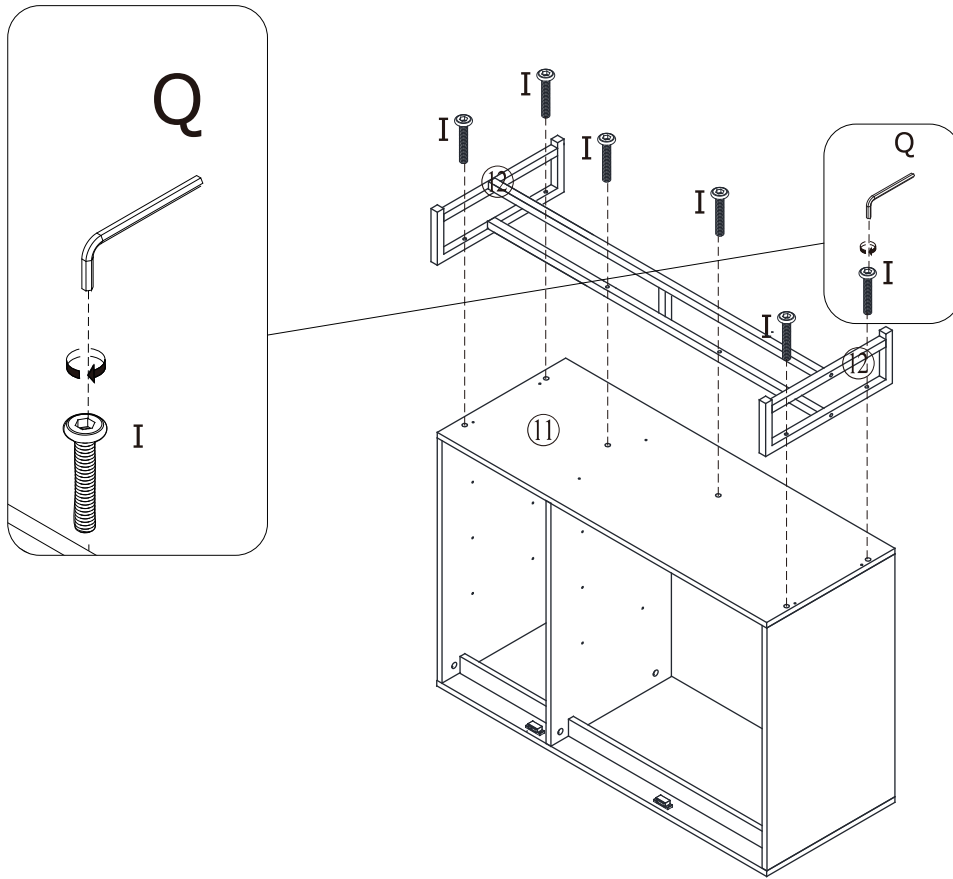
step 9


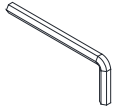


step 10

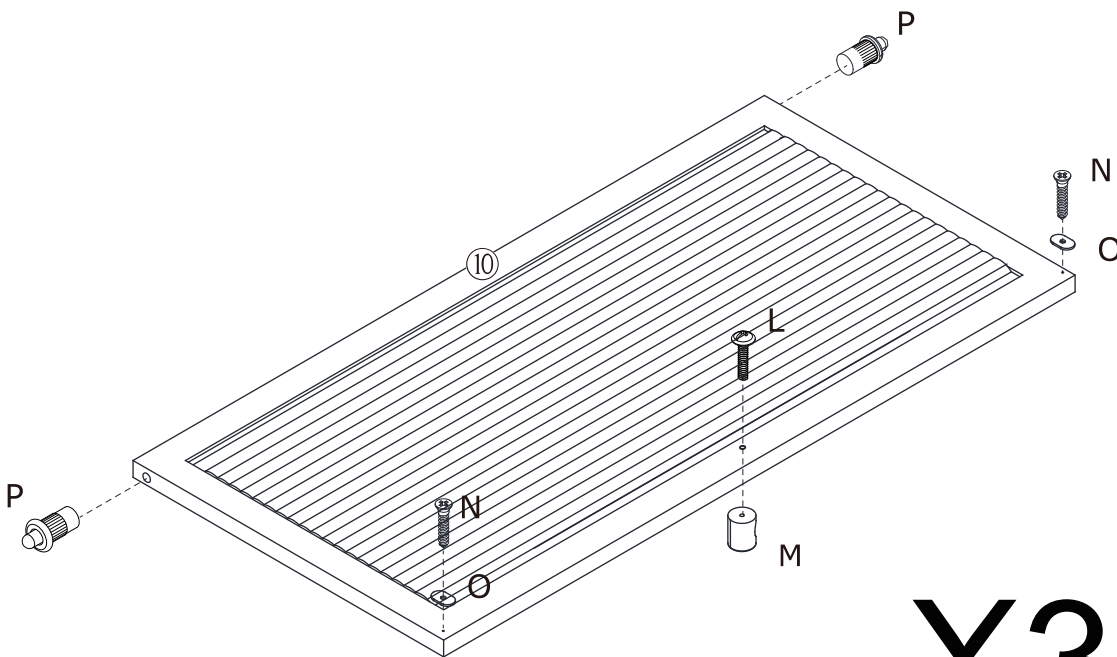


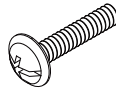




step 11



| | |
|---|----|
| I | x6 |
|  | |
| Q | x1 |
|  | |

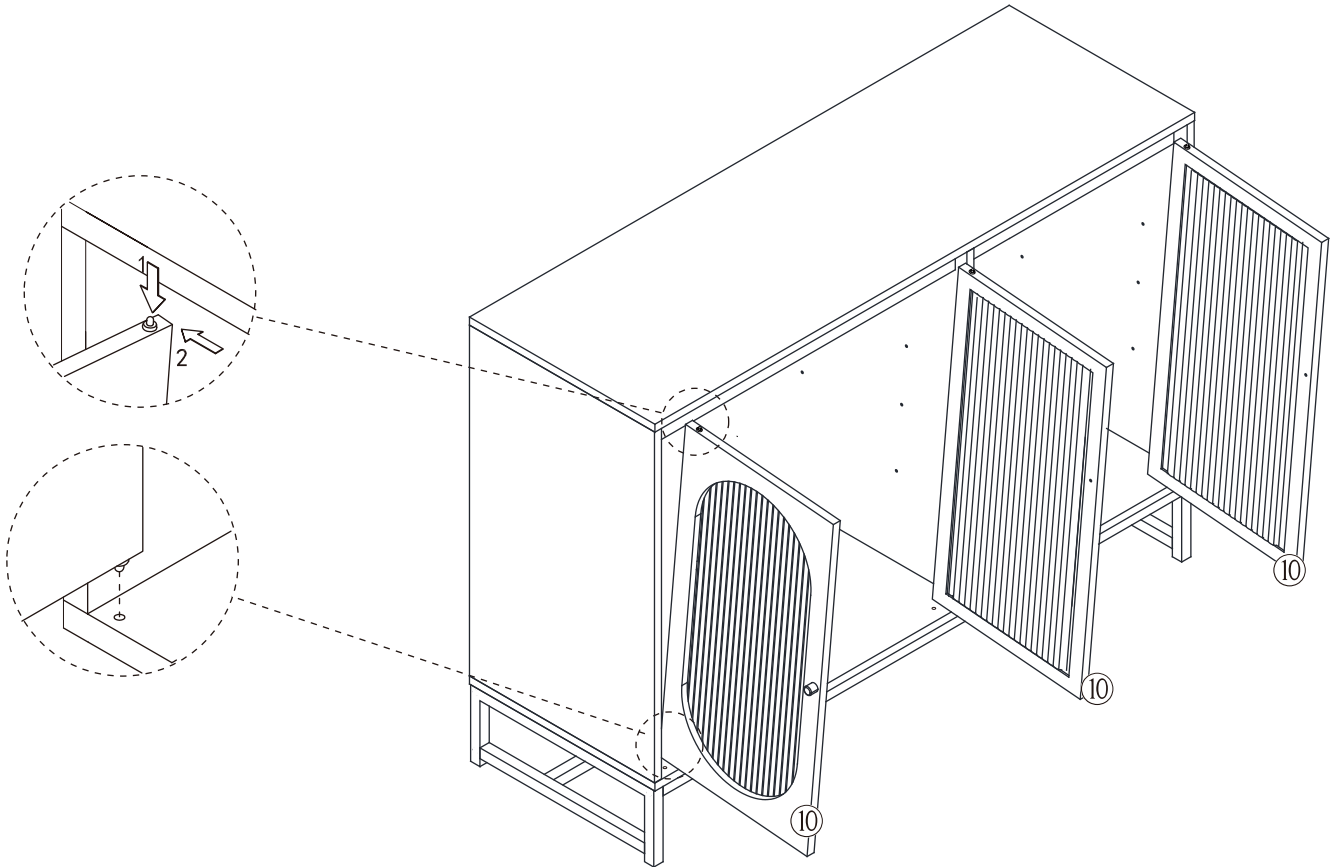
step 12



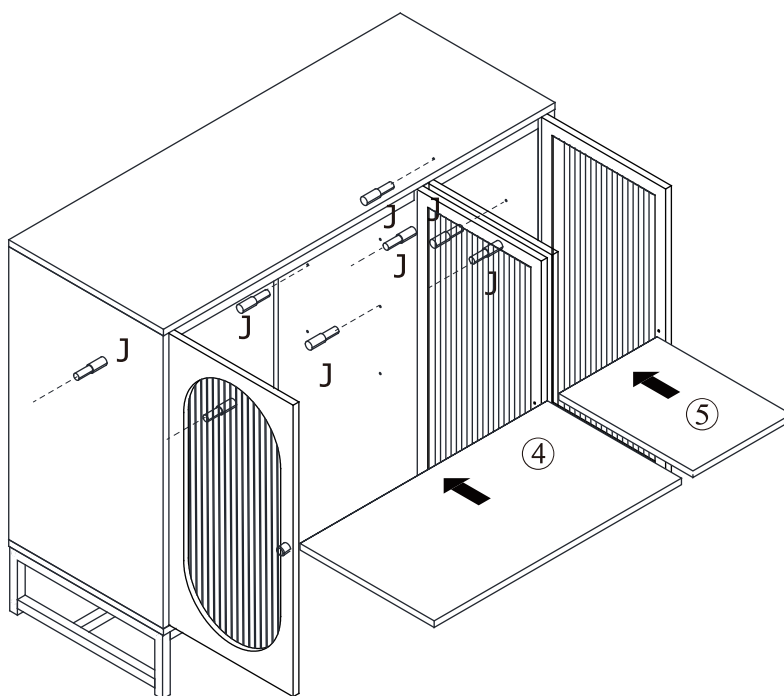
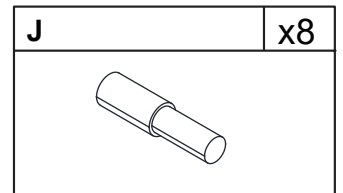
| | |
|---|----|
| L | x3 |
|  | |
| M | x3 |
|  | |
| N | x6 |
|  | |
| O | x6 |
|  | |
| P | x6 |
|  | |

X3

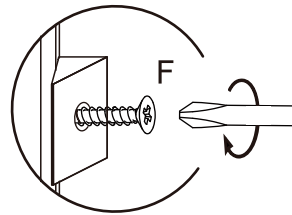
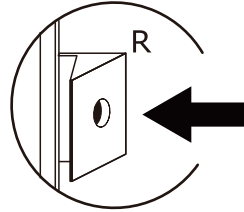
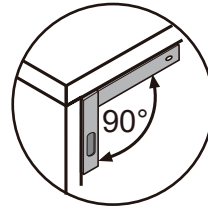
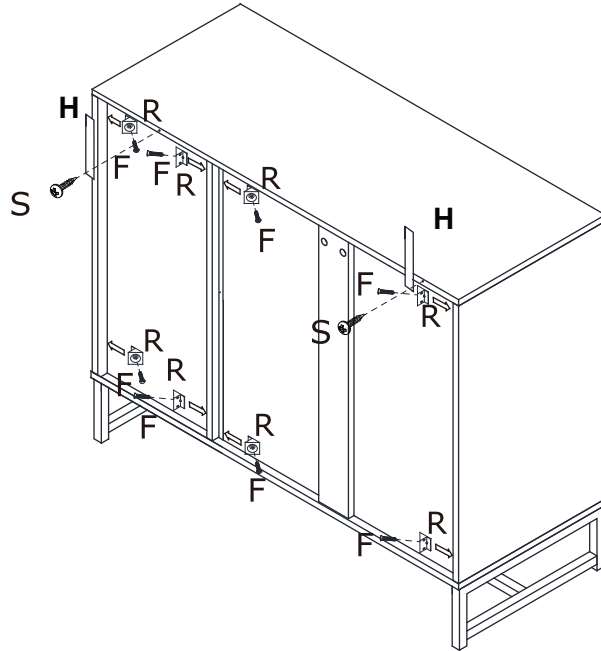
step 13



step 14



step 15



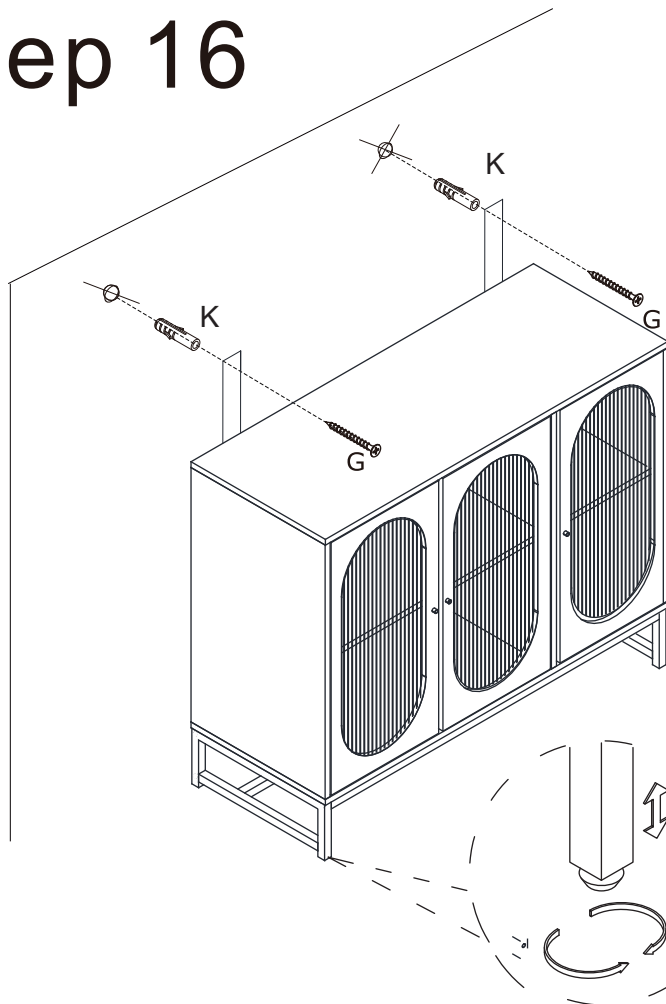
| | |
|---|----|
| R | x8 |
| | |

| | |
|---|----|
| F | x8 |
| | |

| | |
|---|----|
| S | x2 |
| | |

| | |
|---|----|
| H | x2 |
| | |

step 16



| | |
|---|----|
| G | x2 |
| | |

| | |
|---|----|
| K | x2 |
| | |

Proper Use

- DO NOT** use for commercial purposes
- DO NOT** use as a step stool or stand on table
- DO NOT** put hot serving liquid directly on the table top
- DO NOT** leave spilled liquid on the table top
- DO NOT** use table if damaged
- DO NOT** exceed weight limit
- DO NOT** make temporary repairs
- DO NOT** use outdoor

Dear Customer:

Thank you for purchasing our product, we wish you satisfy our service, if you have any further questions or any quality issues, please show the belows number and don't hesitate to contact our Customer Service People.:

W688202312