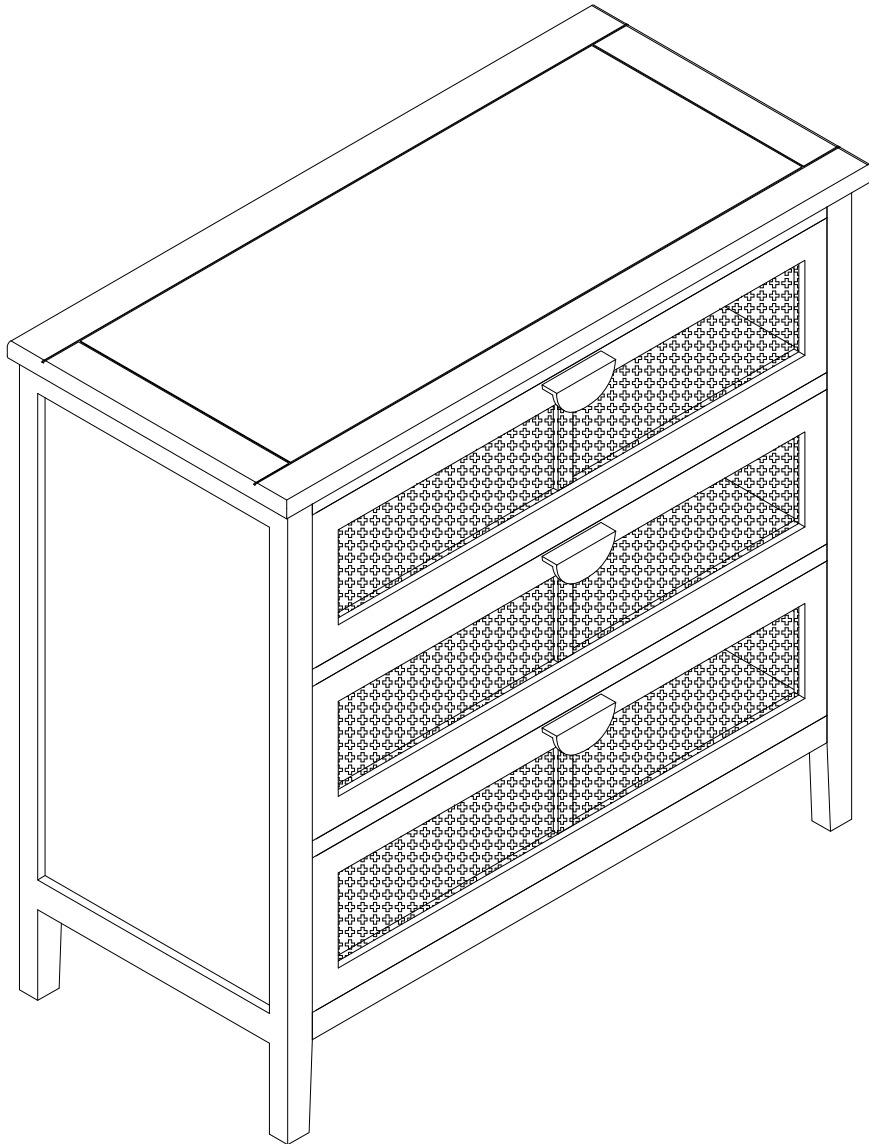


# Installation Instruction



Product Name

---

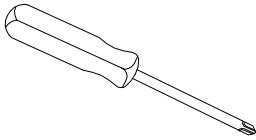
**3 Drawer Cabinet**

Ver.1.0 20220909

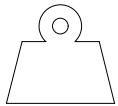
# Assembling

## What you need

- Use the packaging carton as a working surface to prevent product damage during assembly
- Phillips head screwdriver



## Weight Limitation

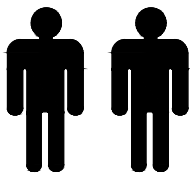


**55**

lbs table top

**| 11**

lbs per drawer



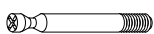
2 PERSONS

# What's included

Code	Description	Qty
A	Cam Bolt M6X30MM	15
B	Cam Lock M15×10MM	15
C	Screw M3.5×30MM	15
D	Handle	3
E	Bolt M4×16MM	6
F	Bolt M6X35MM	8
G	Metal Washer	8
H	Allen Key	1
I	Screw M4×22MM	4
J	Screw M3.5×16MM	2
K	Plastic Corner Support	8
L	Screw M3.5×14MM	10
M	Nylon Strap	2
N	Anchor M6×30MM	2
O	Screw M4×35MM	2
P	Slide Sets	3
Q	Wooden Dowel M6×20MM	4
R	Screw M3.5×12MM	36
S	Wooden Dowel M6X30MM	6

# The Hardwares

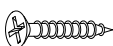
A



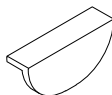
B



C



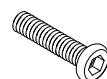
D



E



F



G



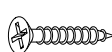
H



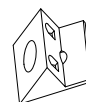
I



J



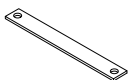
K



L



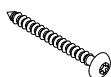
M



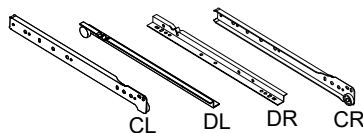
N



O



P



Q



R

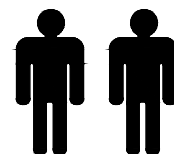


S



## IMPORTANT :

1. Do not tighten bolts / screws completely until all bolts / screws are lined up and inserted into holes.
2. Do not over tighten screws and bolts to avoid stripping.
3. Please use hand tools to assemble this product. Do not use power tools.
4. Must need 2 people to assemble this product.

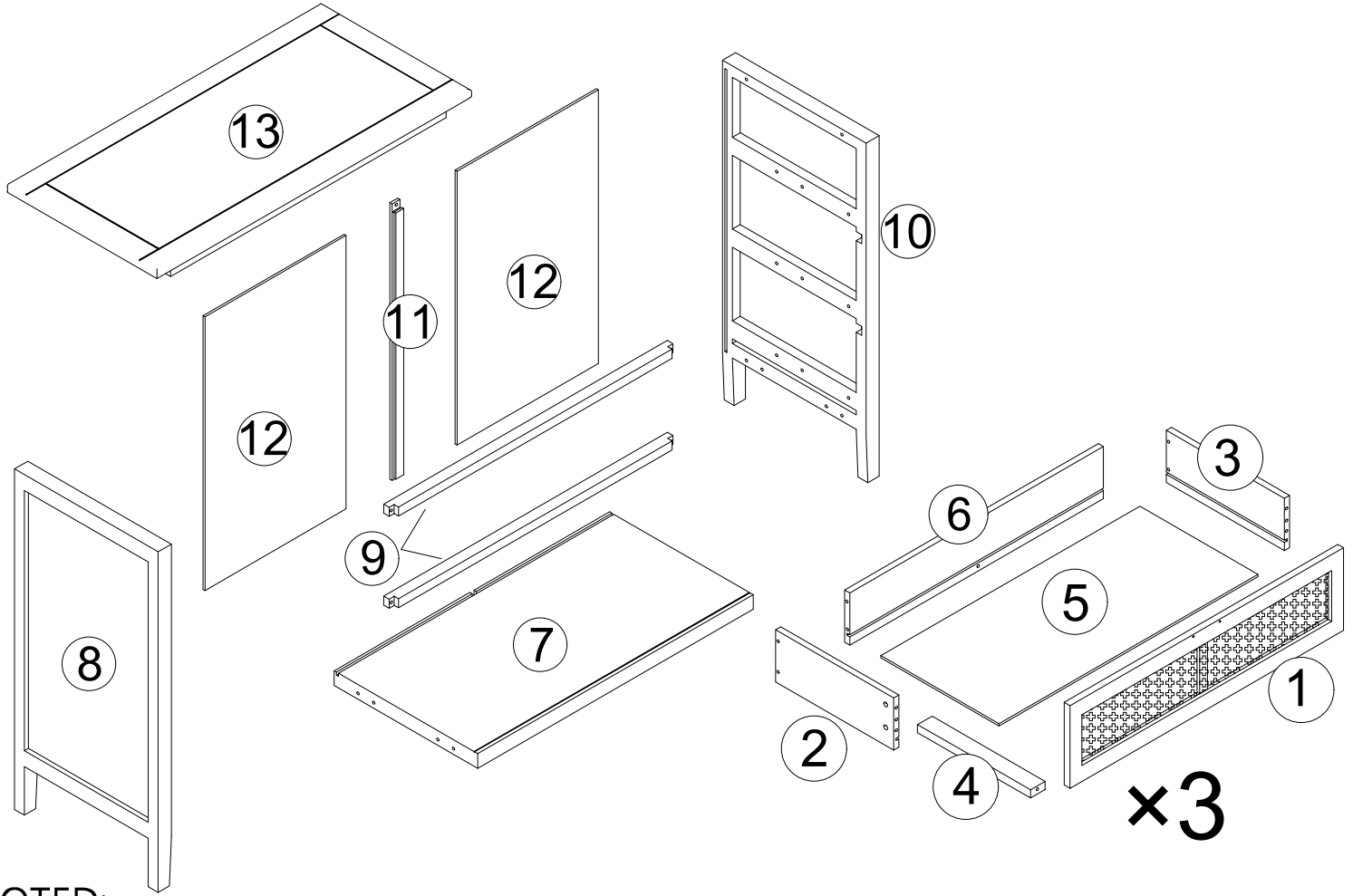


2 PERSONS

# Included Accessories

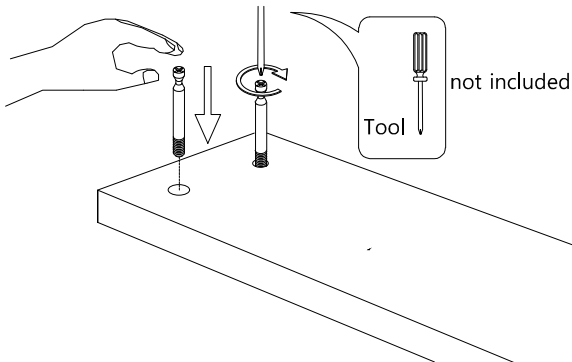
Code	Description	Qty
1	Drawer Front Panel	3
2	Drawer Left Side Panel	3
3	Drawer Right Side Panel	3
4	Drawer Vertical Stretcher	3
5	Drawer Bottom Panel	3
6	Drawer Back Panel	3
7	Bottom Panel	1
8	Left Side Panel	1
9	Drawer Bottom Support Panel	2
10	Right Side Panel	1
11	Back Support Panel	1
12	Back Panel	2
13	Cabinet Top	1

# The Accessoriess

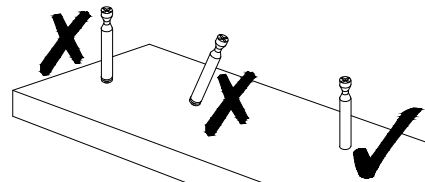


NOTED:

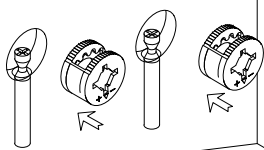
I



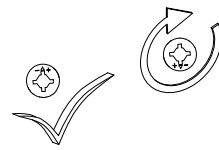
II



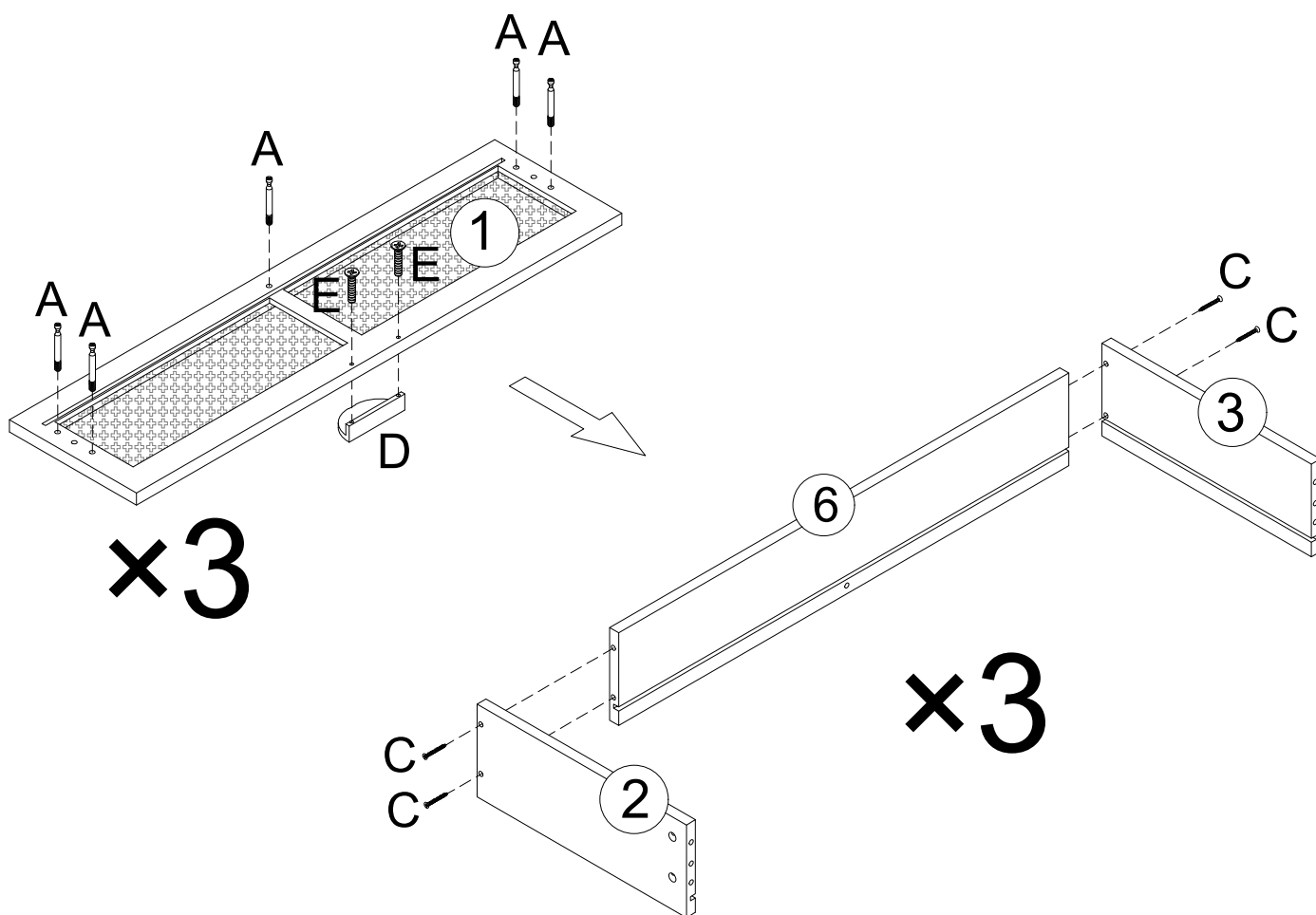
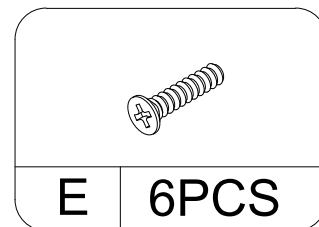
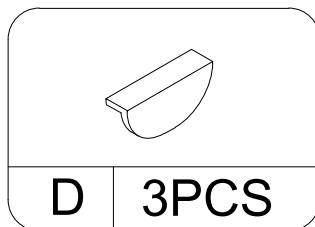
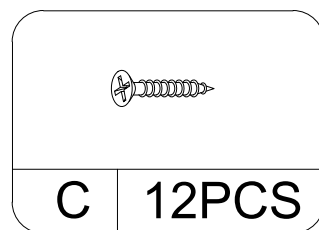
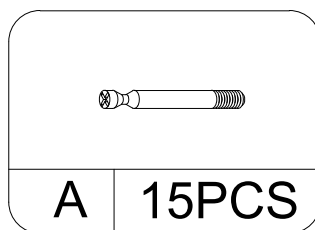
III




IV

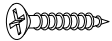


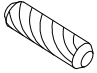
# Step 1

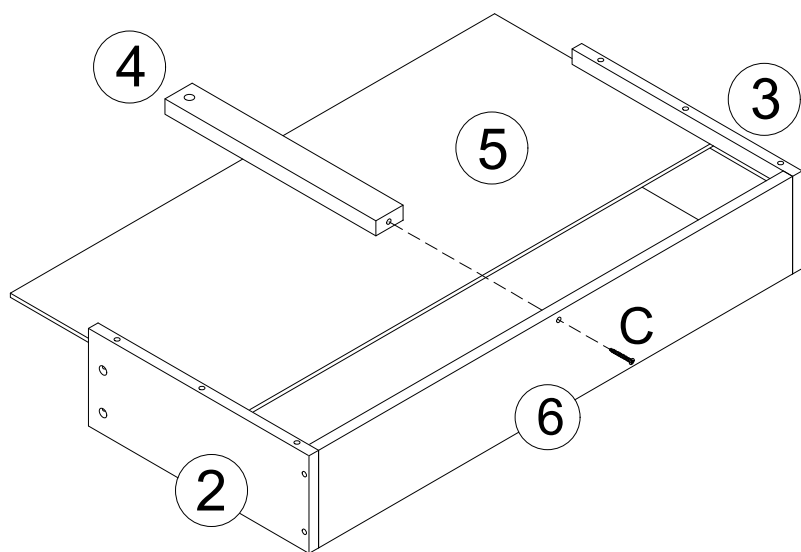


# Step 2

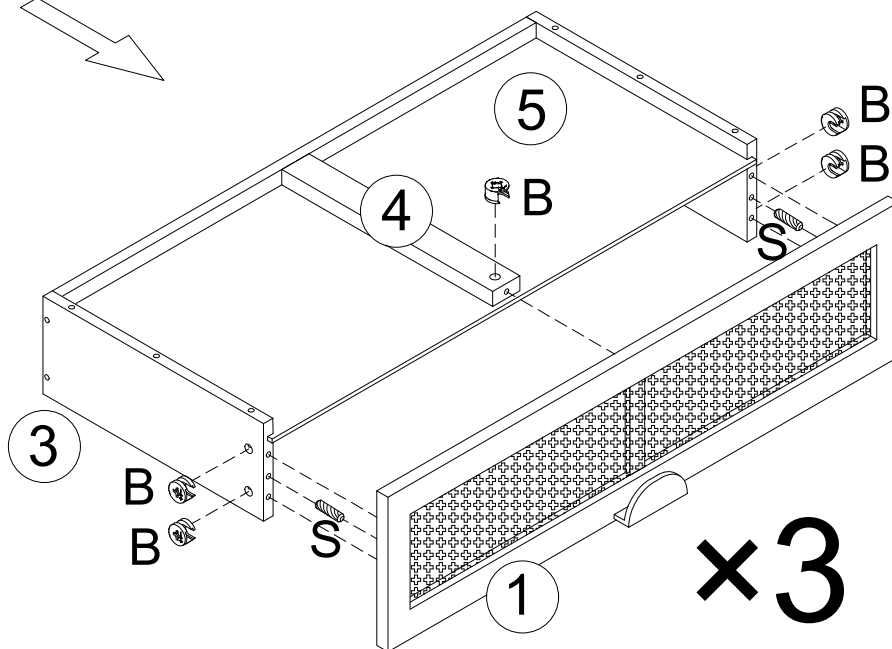
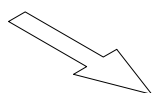
	
B	15PCS

	
C	3PCS

	
S	6PCS

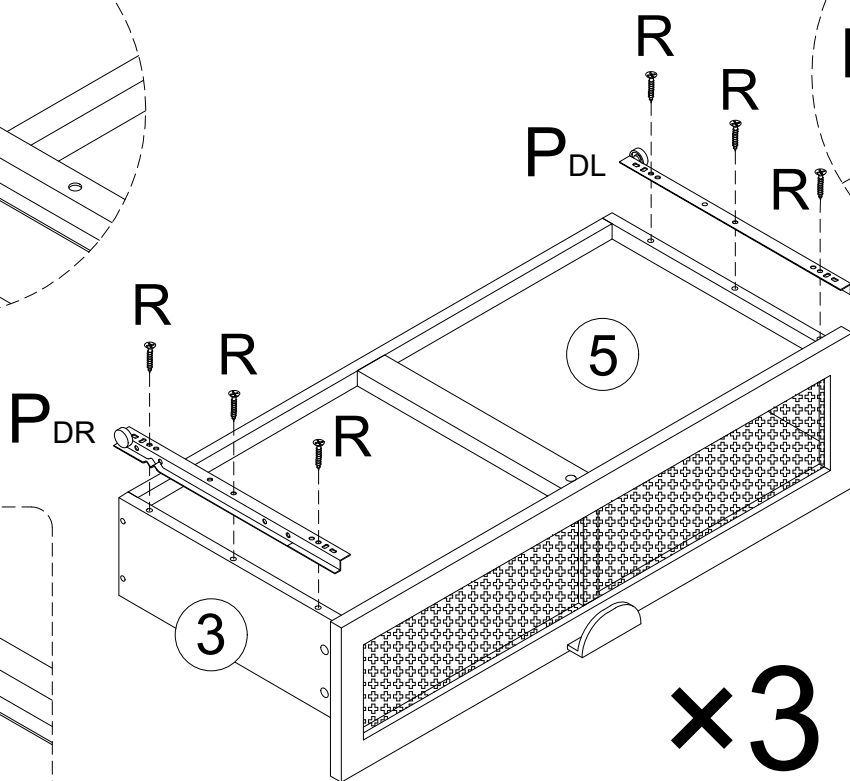
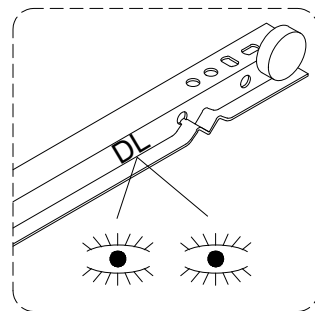
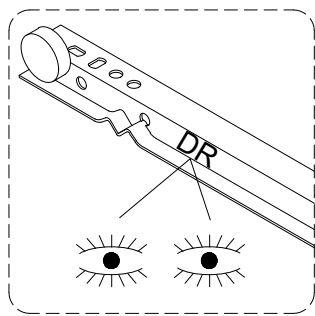
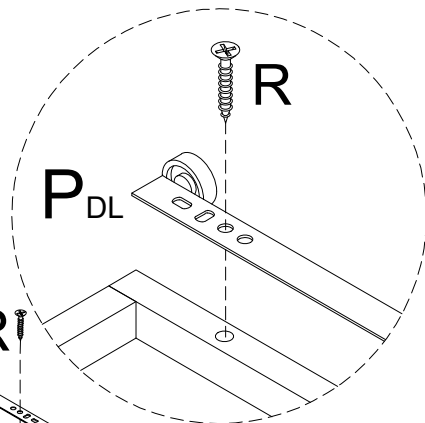
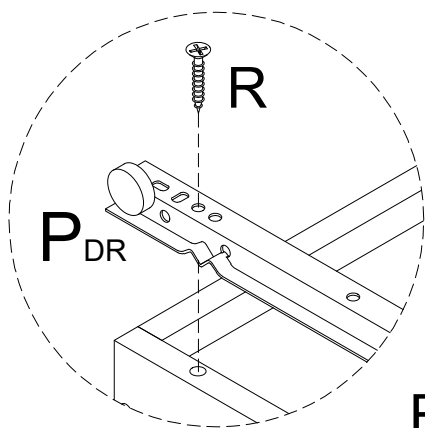
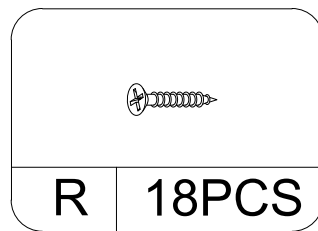
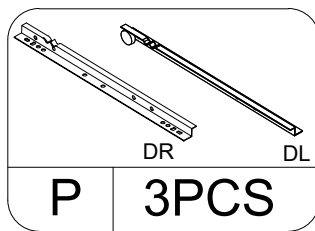


**×3**



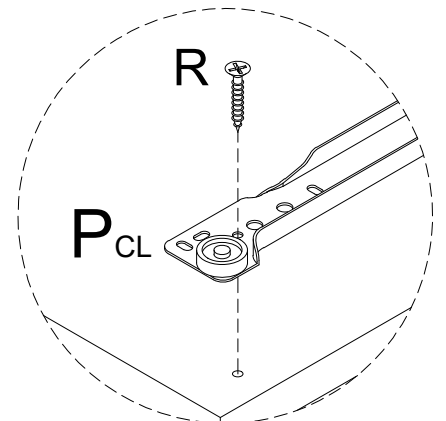
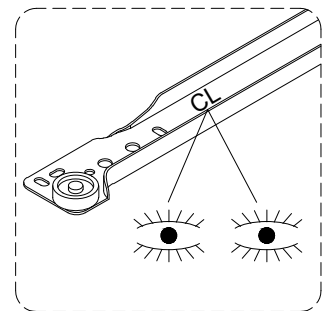
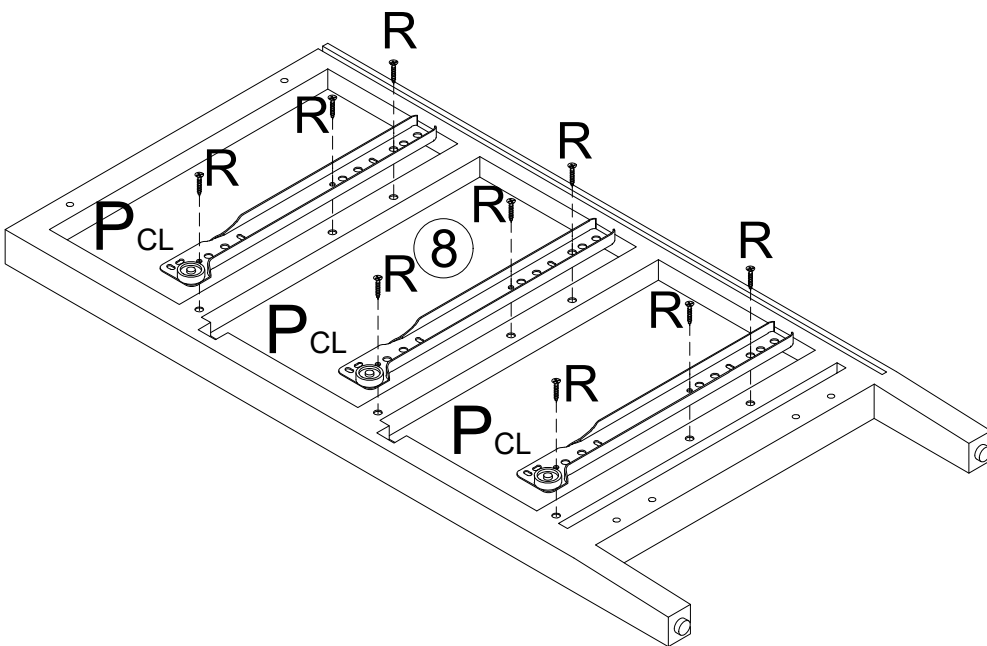
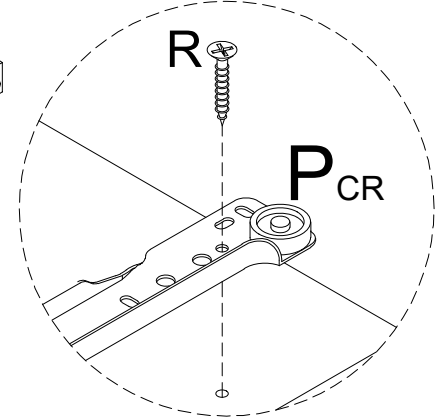
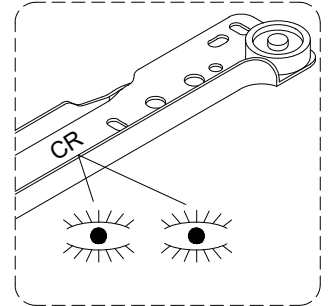
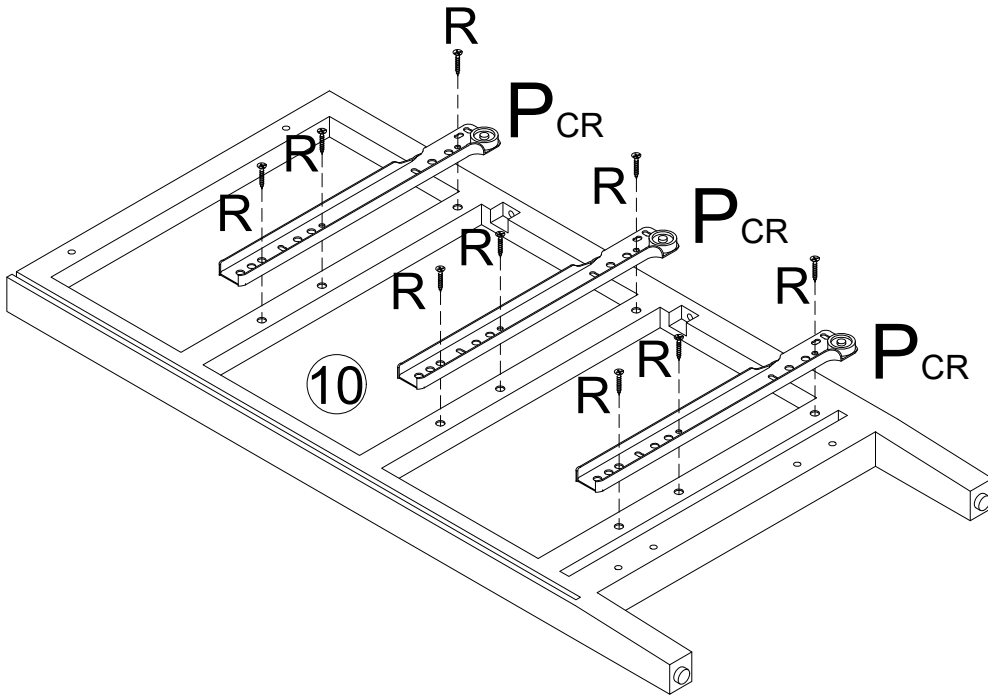
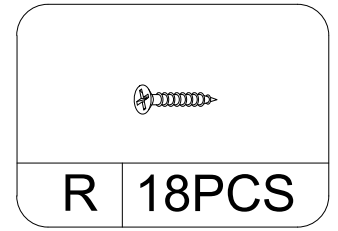
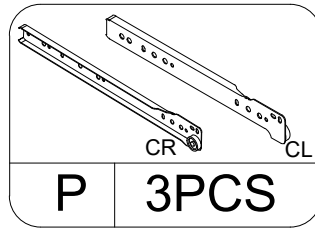
**×3**

# Step 3

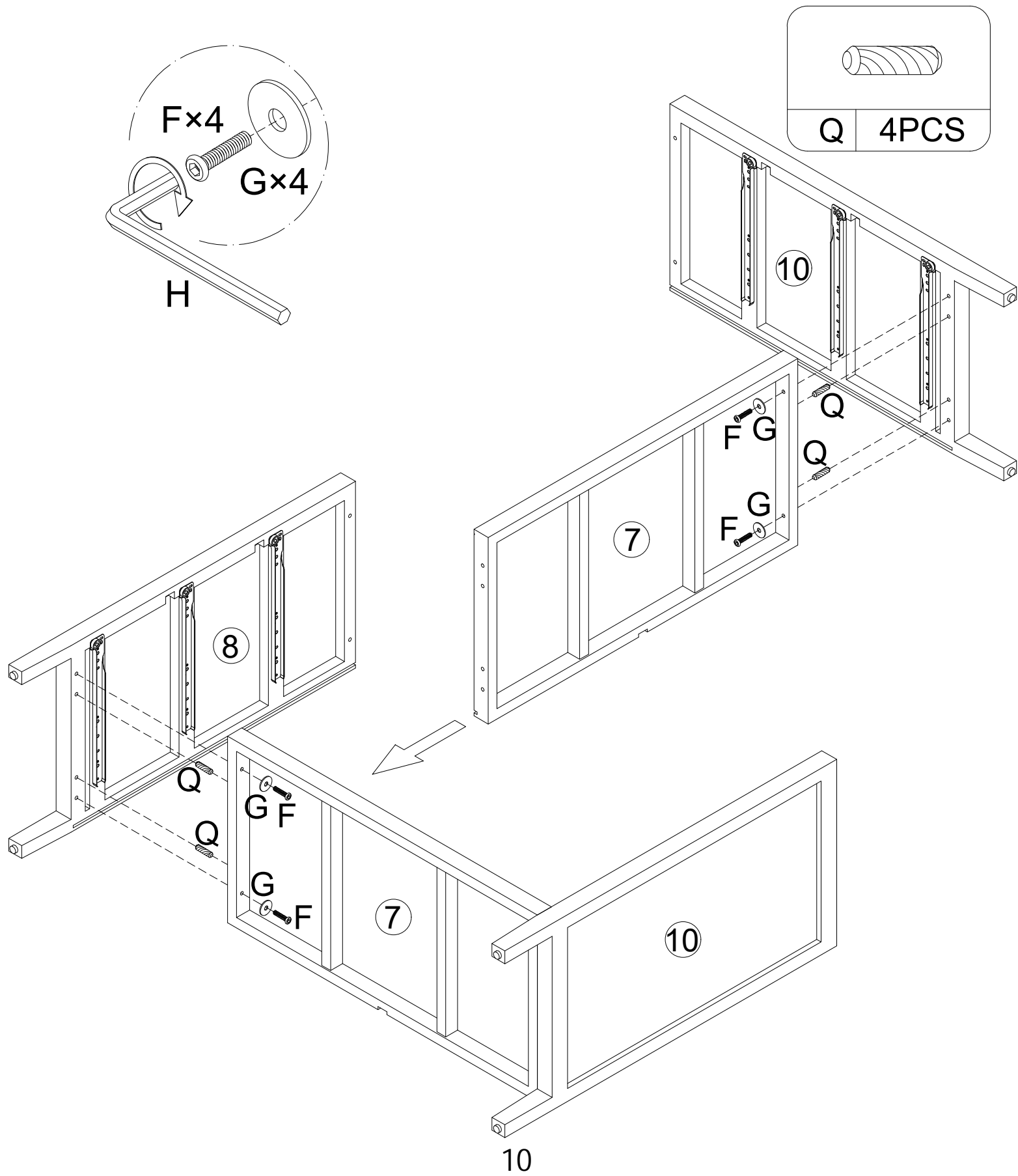
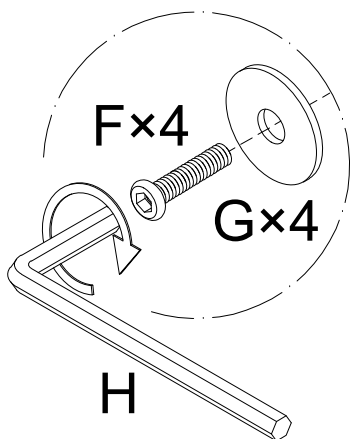
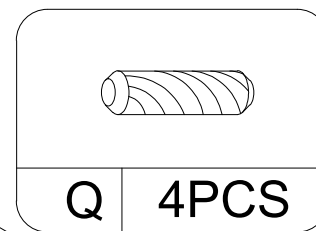
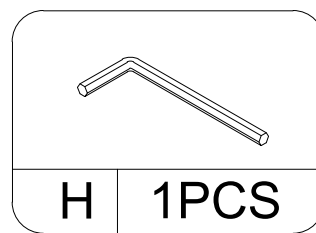
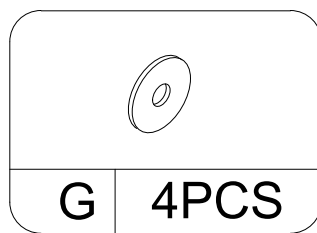
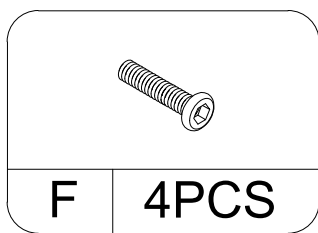




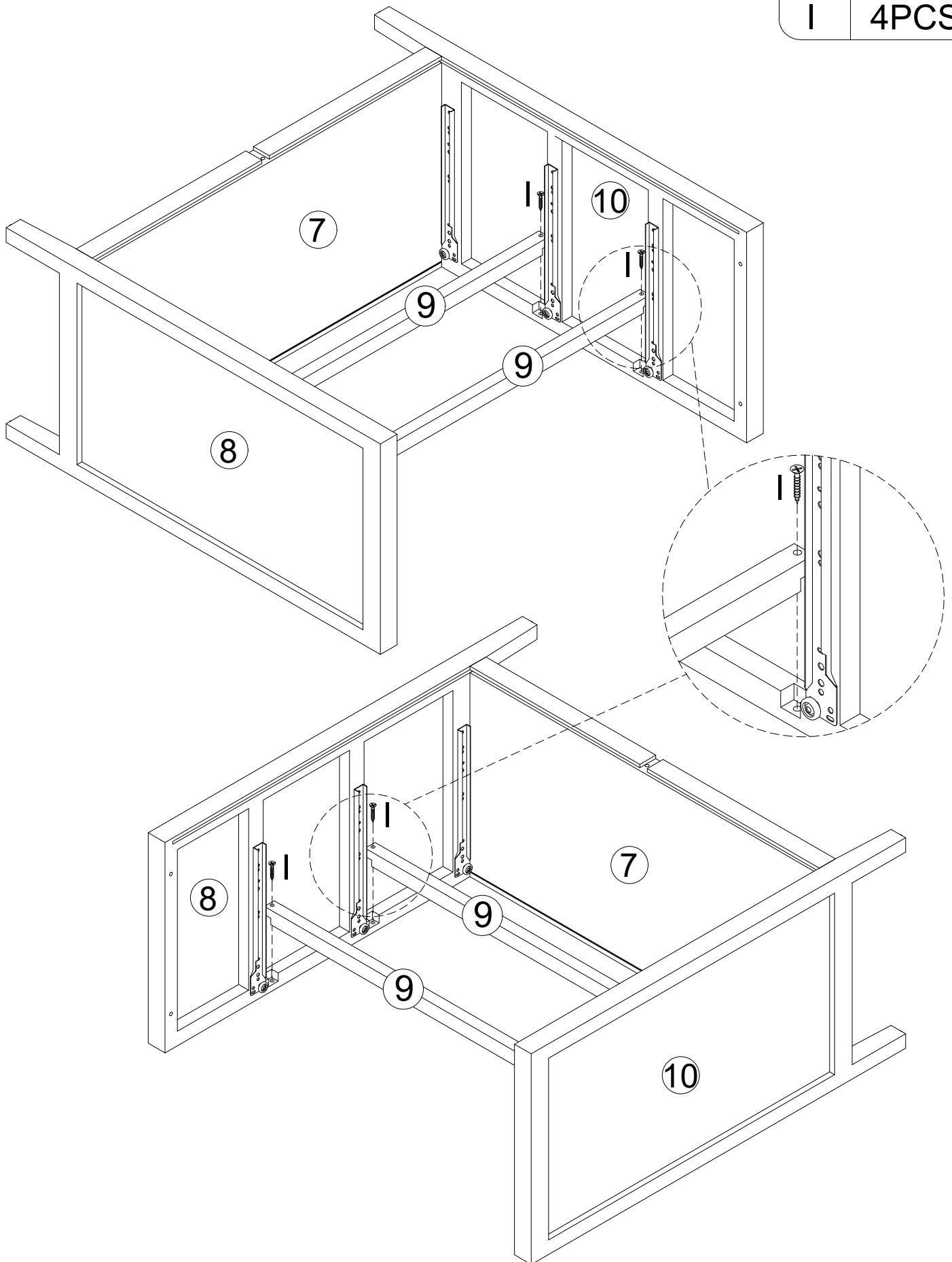
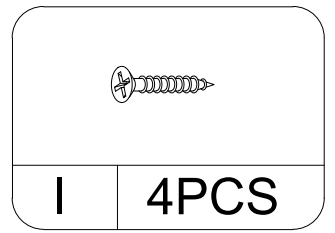
# Step 4



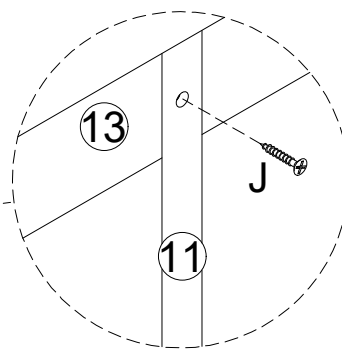
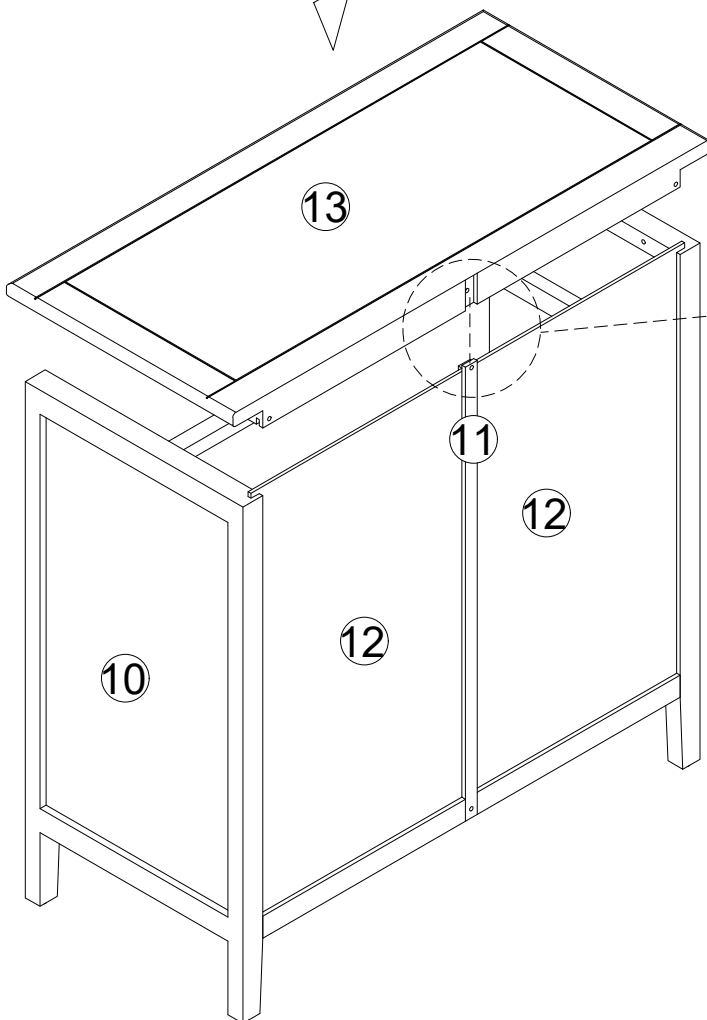
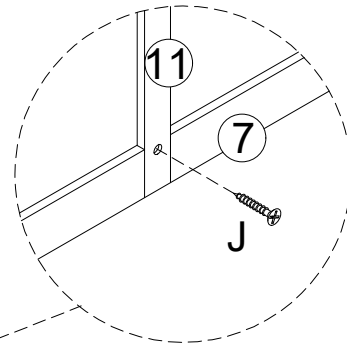
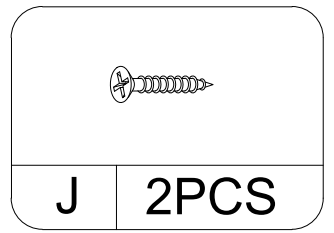
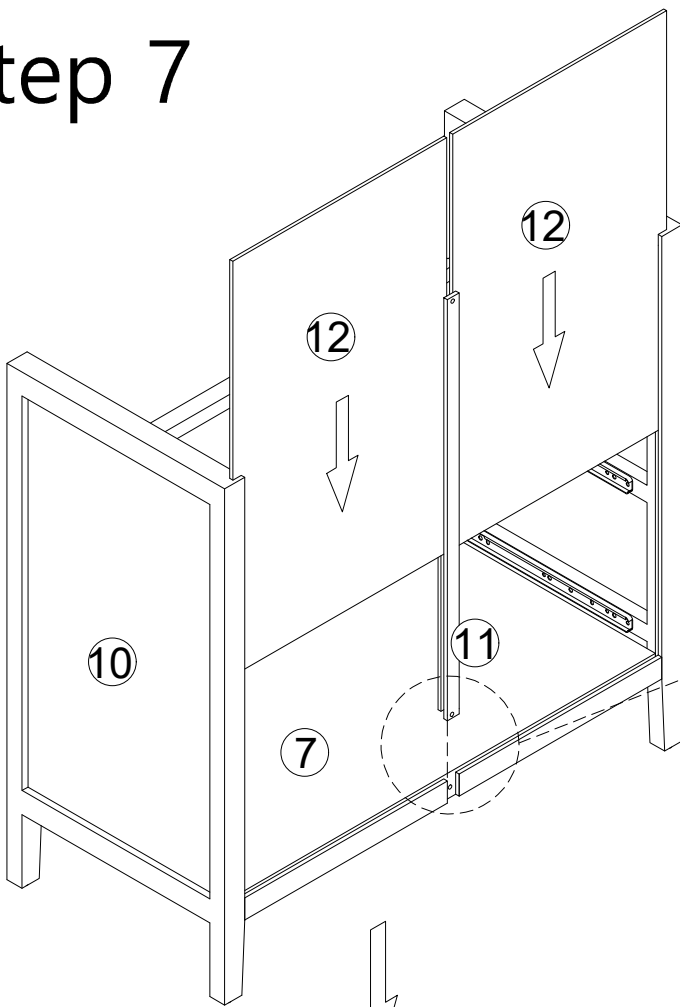
# Step 5



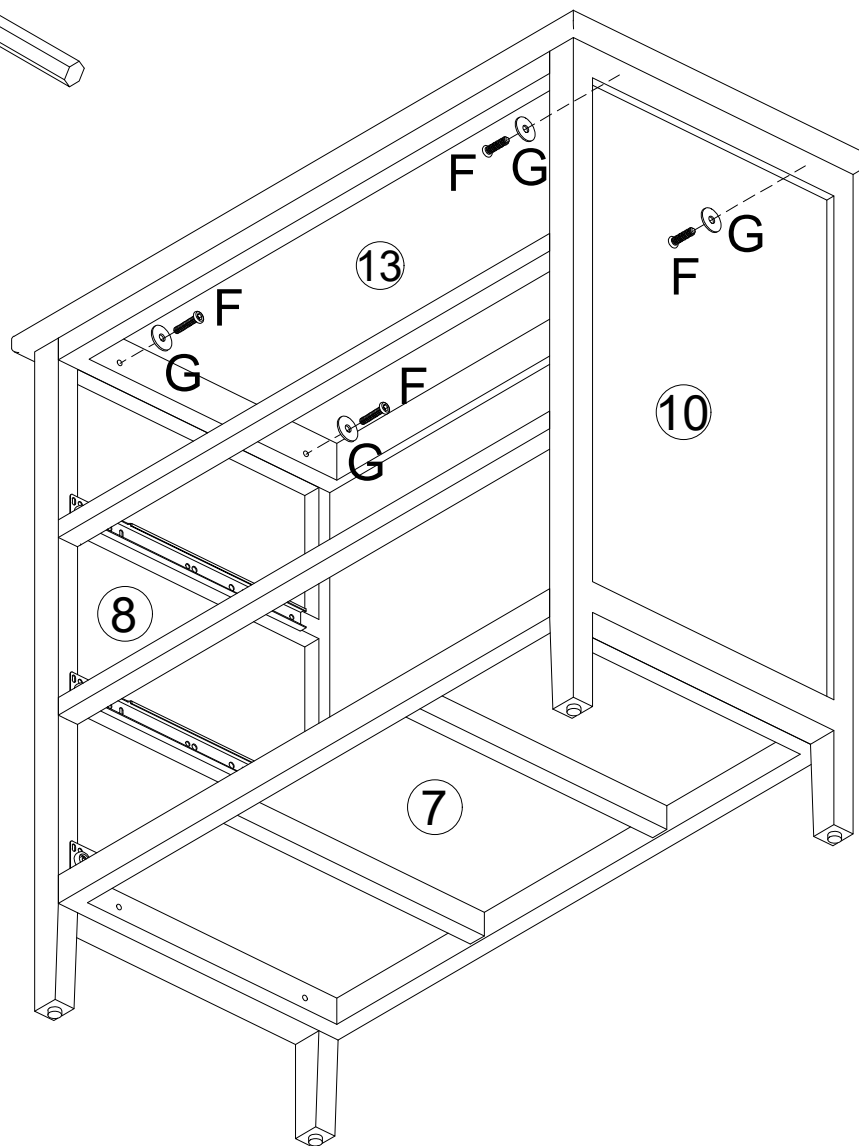
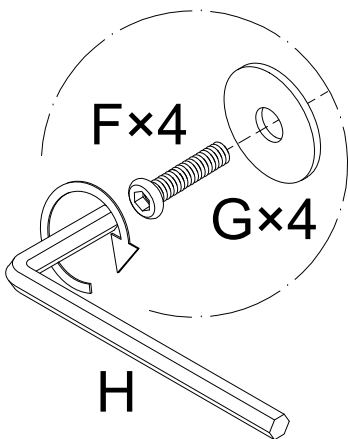
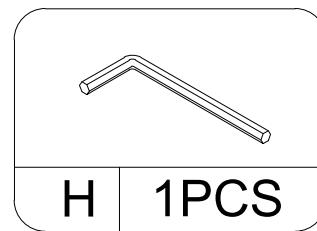
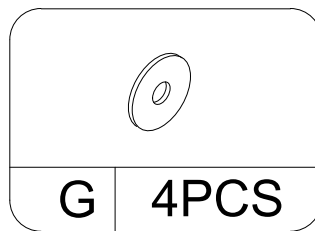
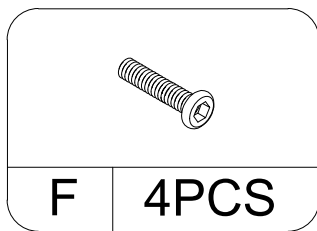
# Step 6



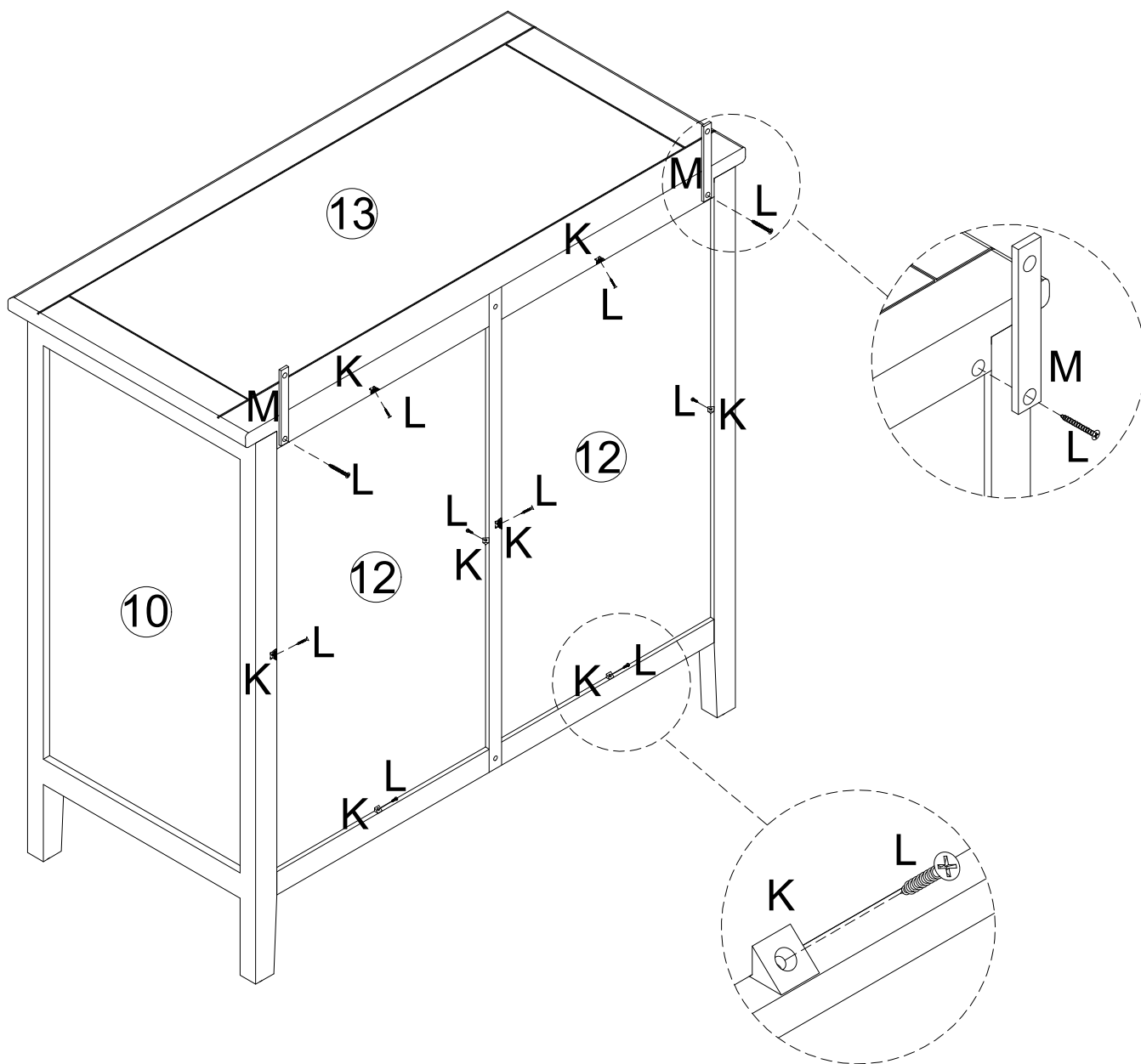
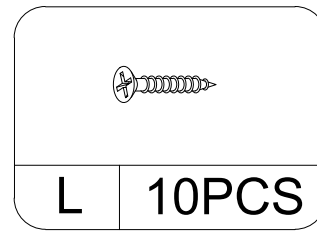
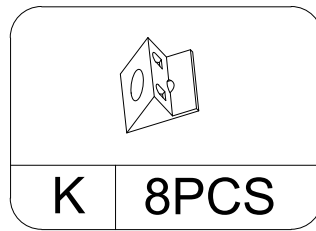
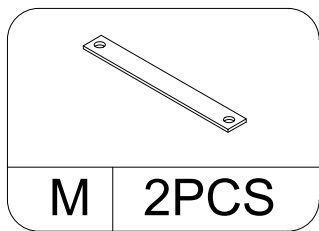
# Step 7



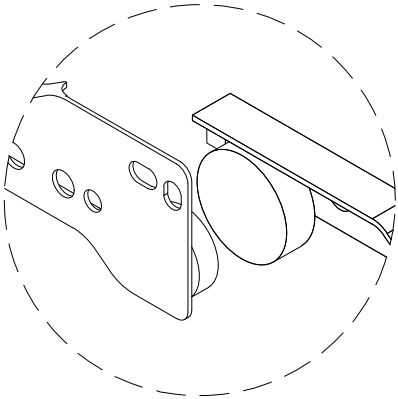
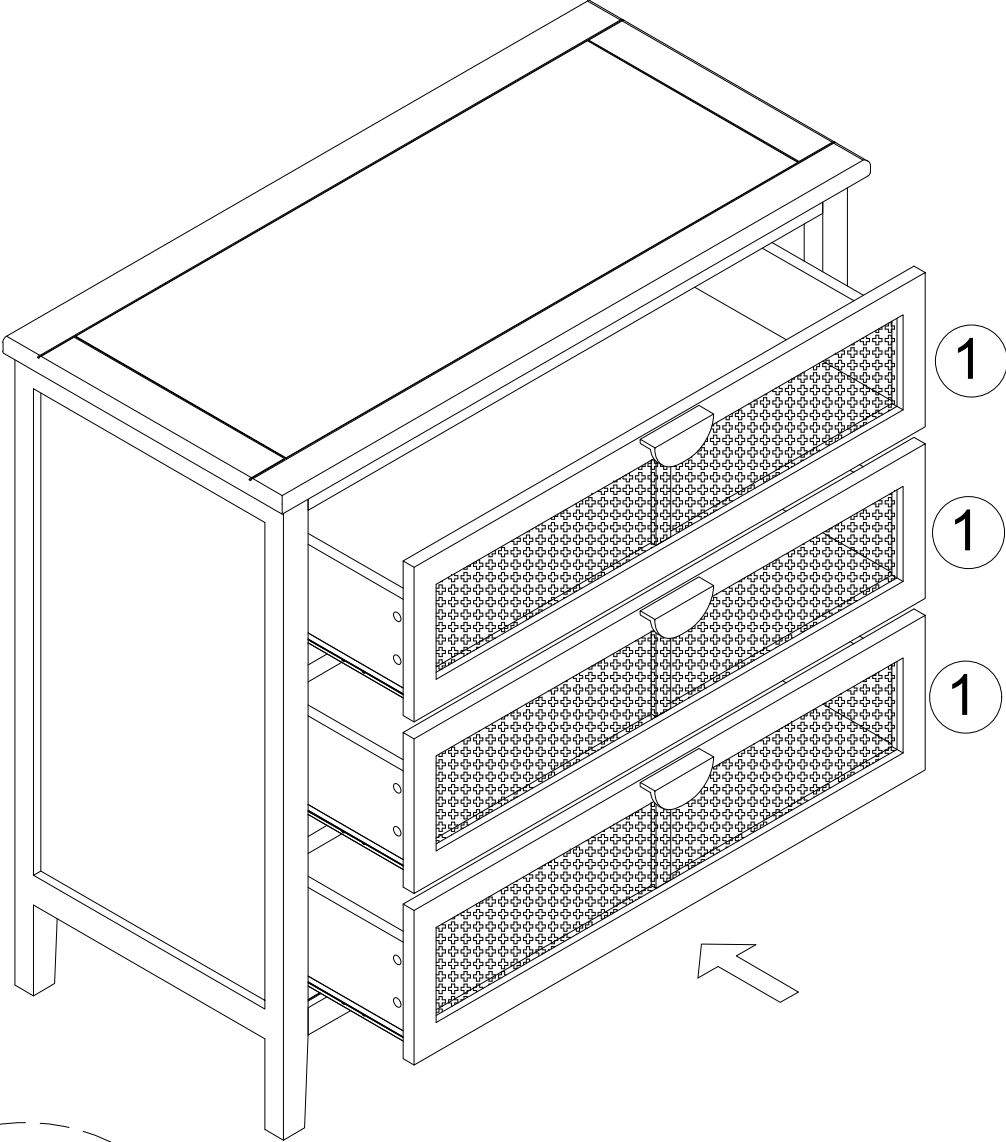
# Step 8



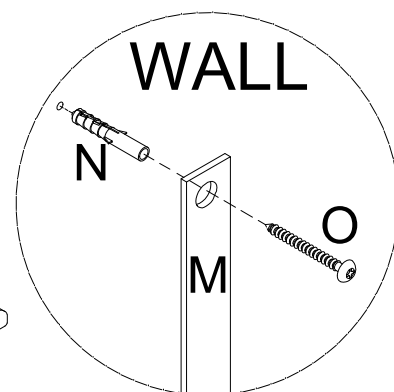
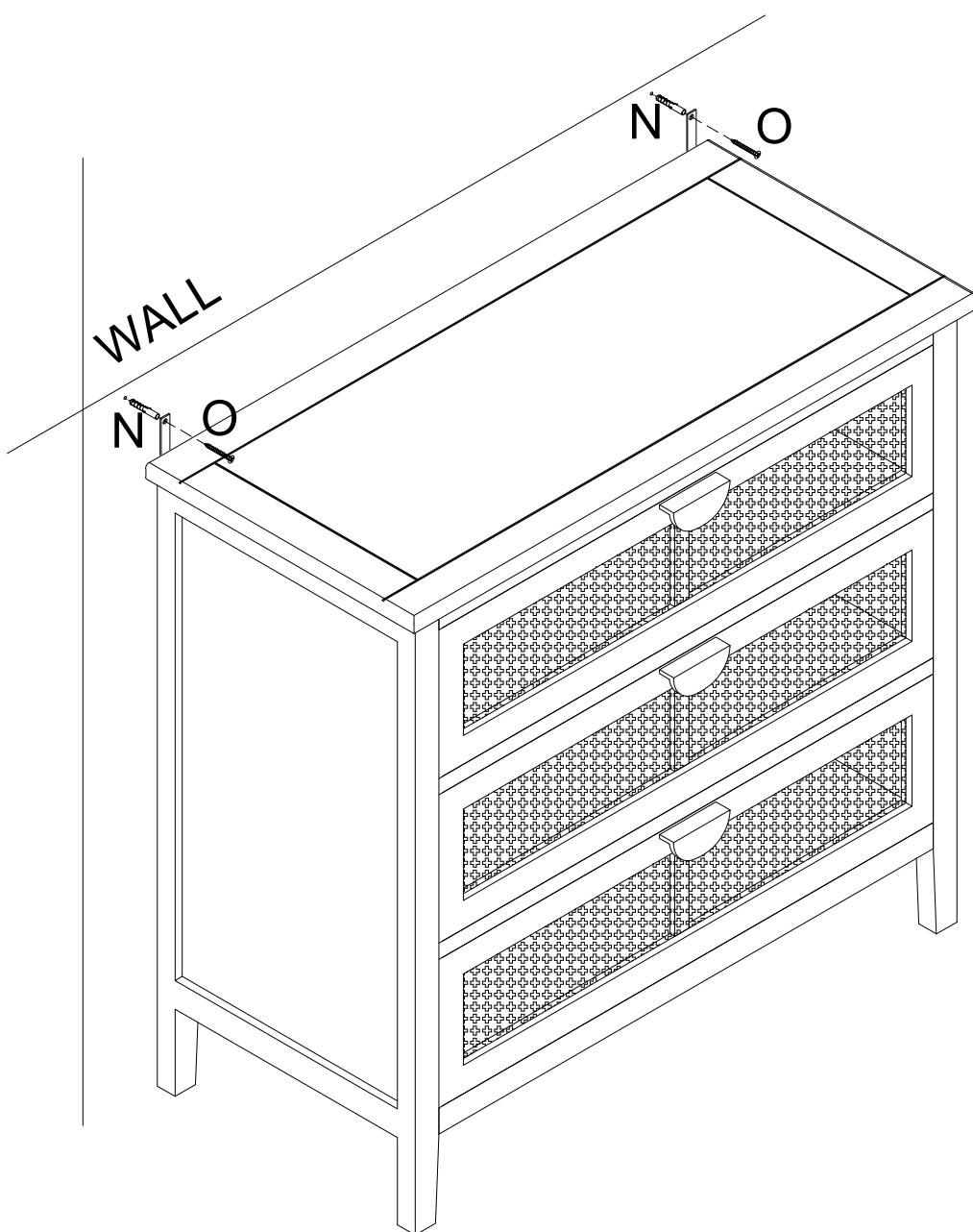
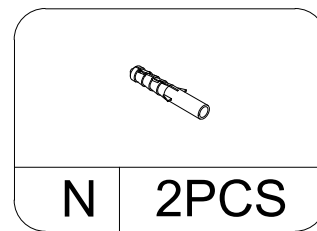
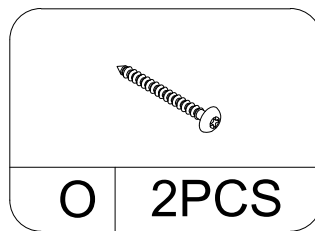
# Step 9



# Step 10



# Step 11





# Proper Use

- DO NOT** use for commercial purposes
- DO NOT** use as a step stool or stand on table
- DO NOT** put hot serving liquid directly on the table top
- DO NOT** leave spilled liquid on the table top
- DO NOT** use table if damaged
- DO NOT** exceed weight limit
- DO NOT** make temporary repairs
- DO NOT** use outdoor

Dear Customer :

Thank you for purchasing our product, we wish you satisfy our service, if you have any further questions or any quality issues, please show the below number and don't hesitate to contact our Customer Service People :

**W688202310**