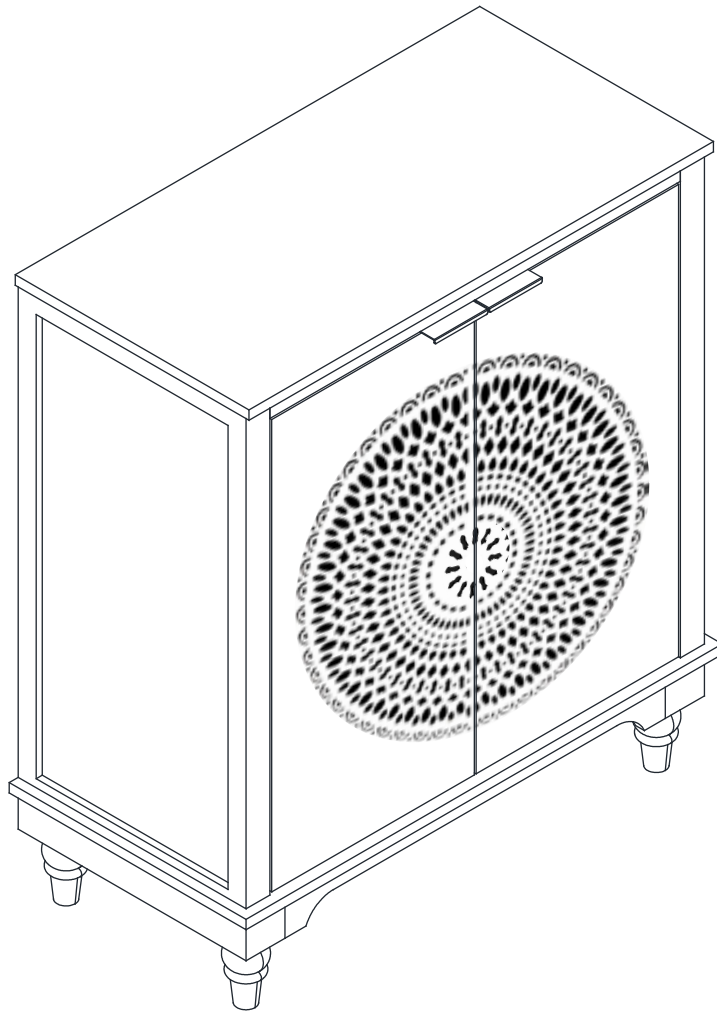


# Installation Instruction



Product Name

---

**2 Door Cabinet**

Ver.1.0 20231220

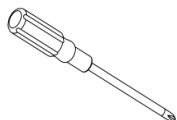
# Assembling

---

## What you need

Use the packaging carton as a working surface to prevent product damage during assembly

Phillips head screwdriver



---

## Weight Limitation



**2 PERSONS**

# What's included

---

Code	Description	Qty
A	Bolt M6X35MM	4
B	Wooden Dowel M6X30MM	4
C	Screw $\Phi$ 3x16mm	8
D	Screw $\Phi$ 4x14mm	30
E	Handle	2
F	Metal Washer	4
G	Cam Lock 15X10MM	2
H	Allen Key	1
I	Plastic Corner Support	8
J	Screw $\Phi$ 4x35mm	6
K	Nylon Strap	2
L	Screw M4X12MM	2
M	Anchor M6X30MM	2
N	Cam Bolt M6X35MM	2
O	Plastic Door Catcher	1
P	Hinge	4

# The Hardwares

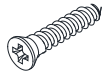
A



B



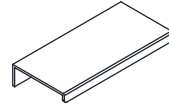
C



D



E



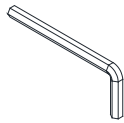
F



G



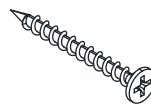
H



I



J



K



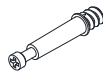
L



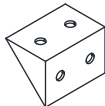
M



N



O



P



## IMPORTANT:

1. Do not tighten bolts / screws completely until all bolts / screws are lined up and inserted into holes.
2. Do not over tighten screws and bolts to avoid stripping.
3. Please use hand tools to assemble this product. Do not use power tools.
4. Must need 2 people to assemble this product.



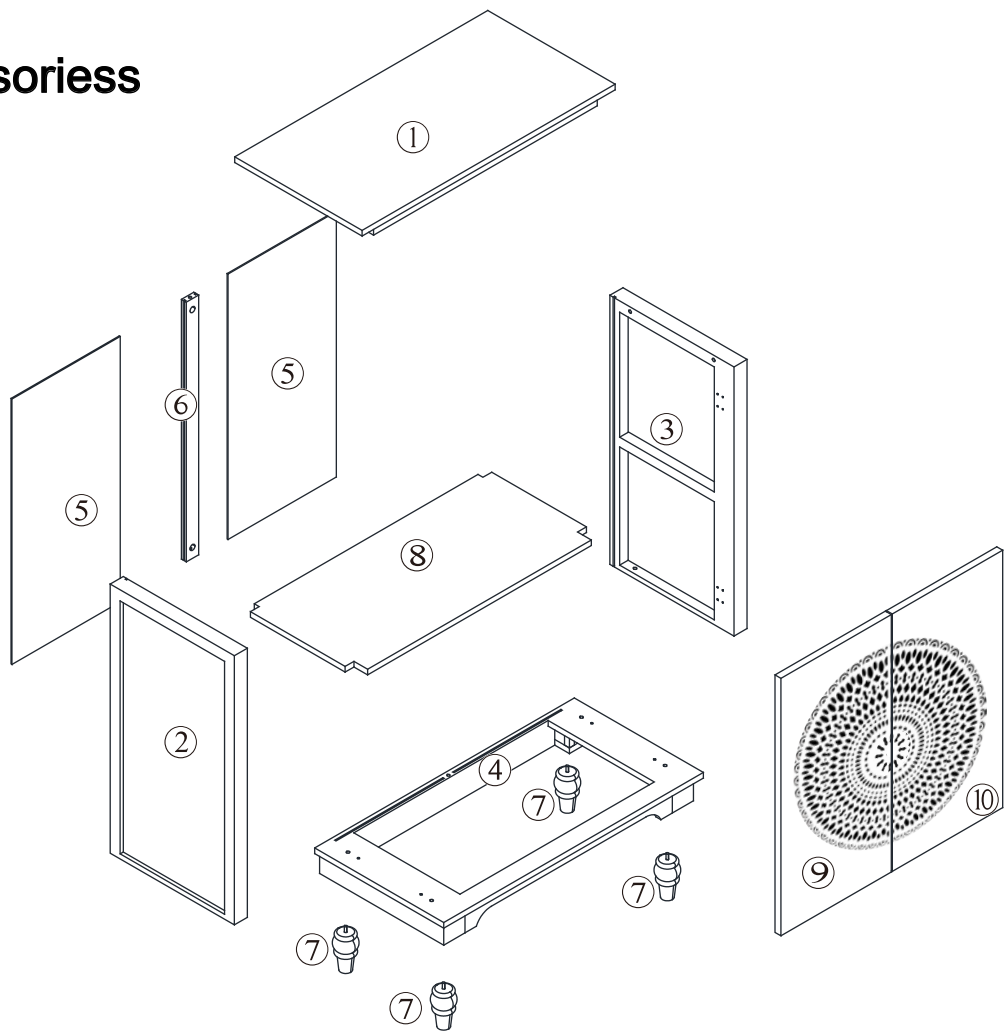
2 PERSONS

# Included Accessories

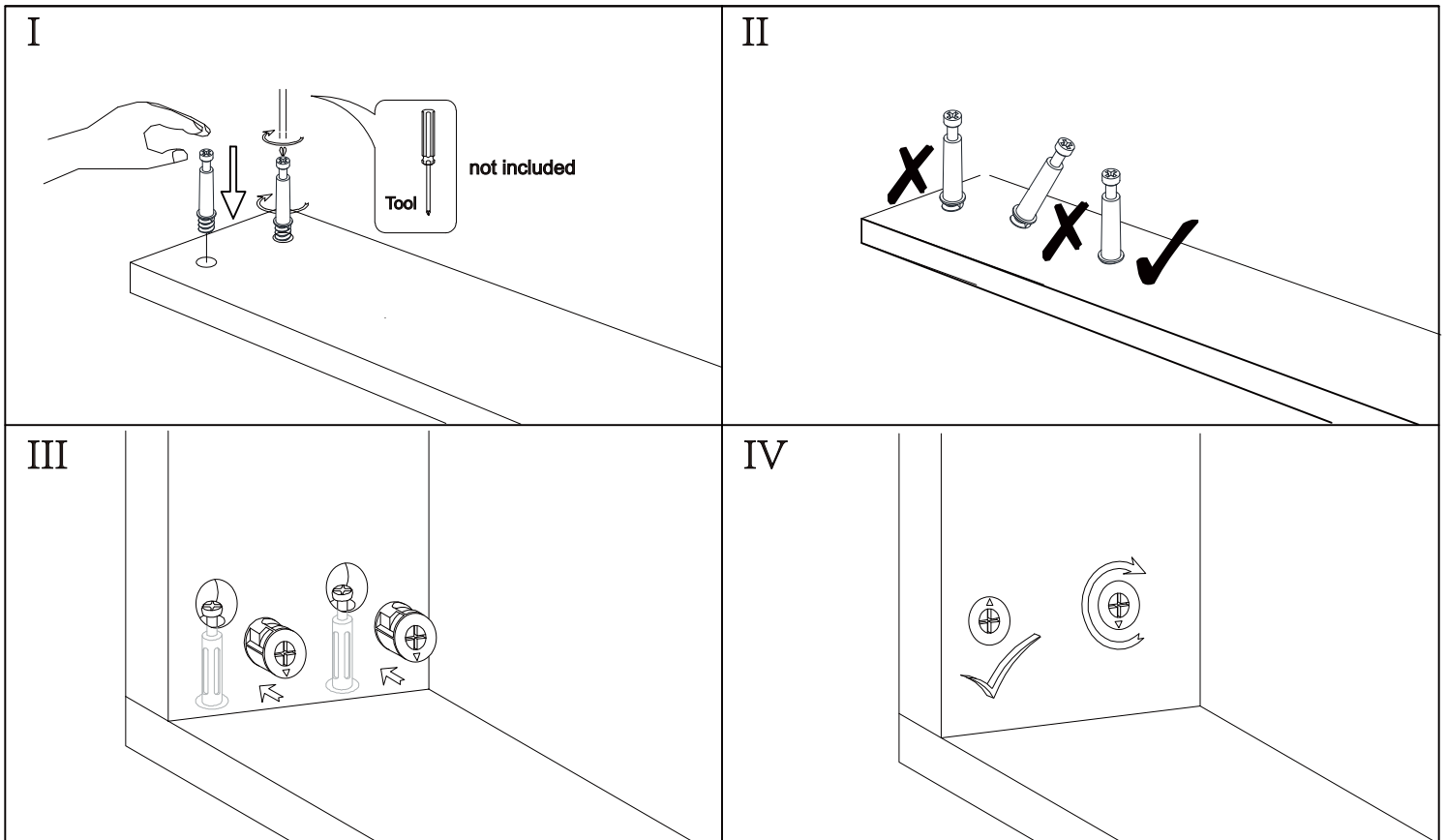
Code	Description	Qty
1	Cabinet Top	1
2	Left Side Panel	1
3	Right Side Panel	1
4	Bottom Panel	1
5	Back Panel	2
6	Back Stretcher	1
7	Foot	4
8	Shelf	1
9	Left Door	1
10	Right Door	1



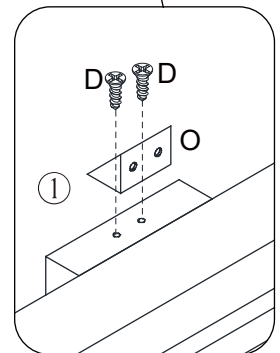
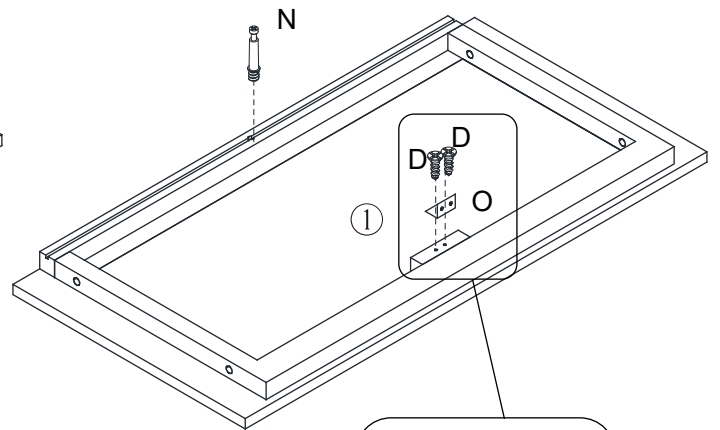
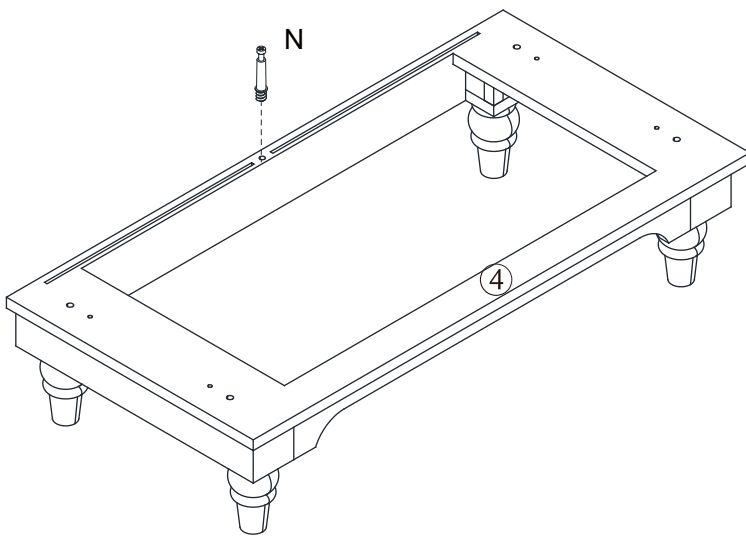
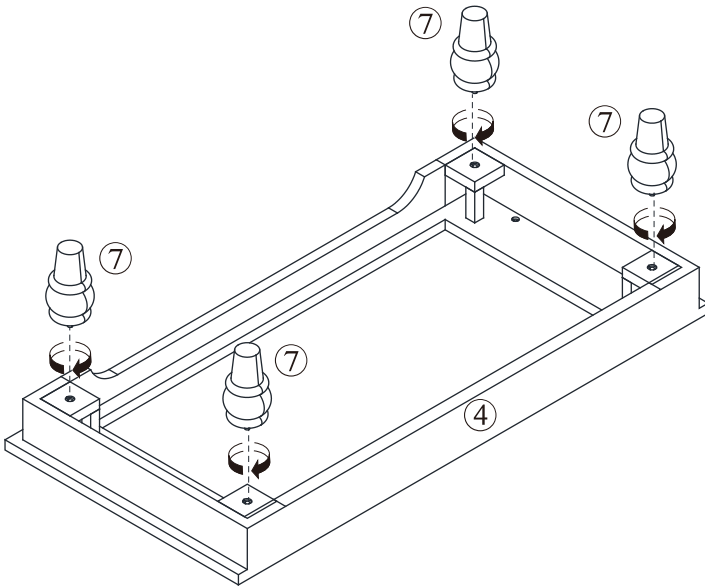
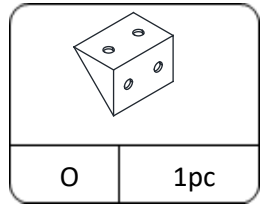
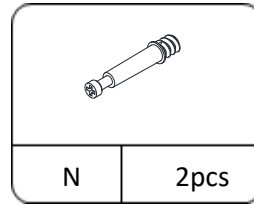
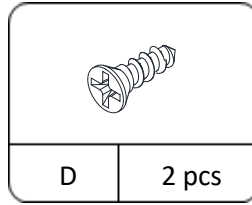
# The Accessoriess



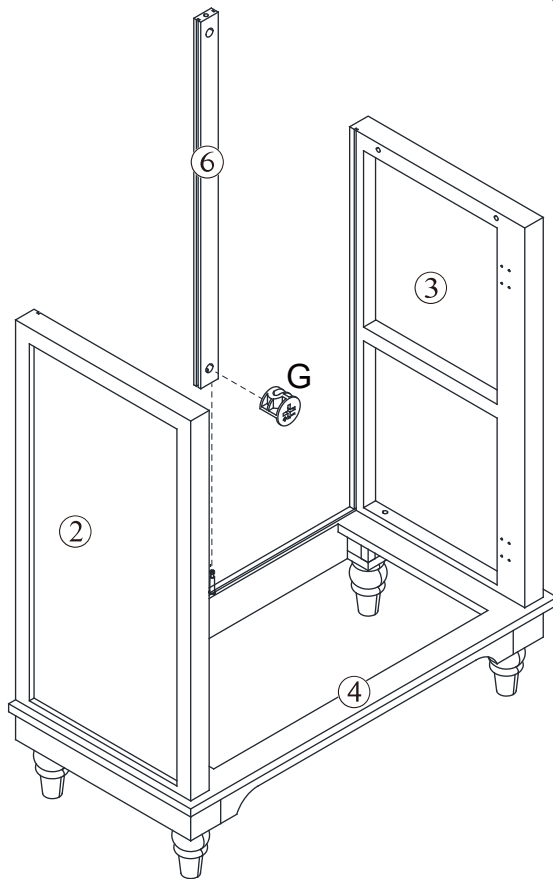
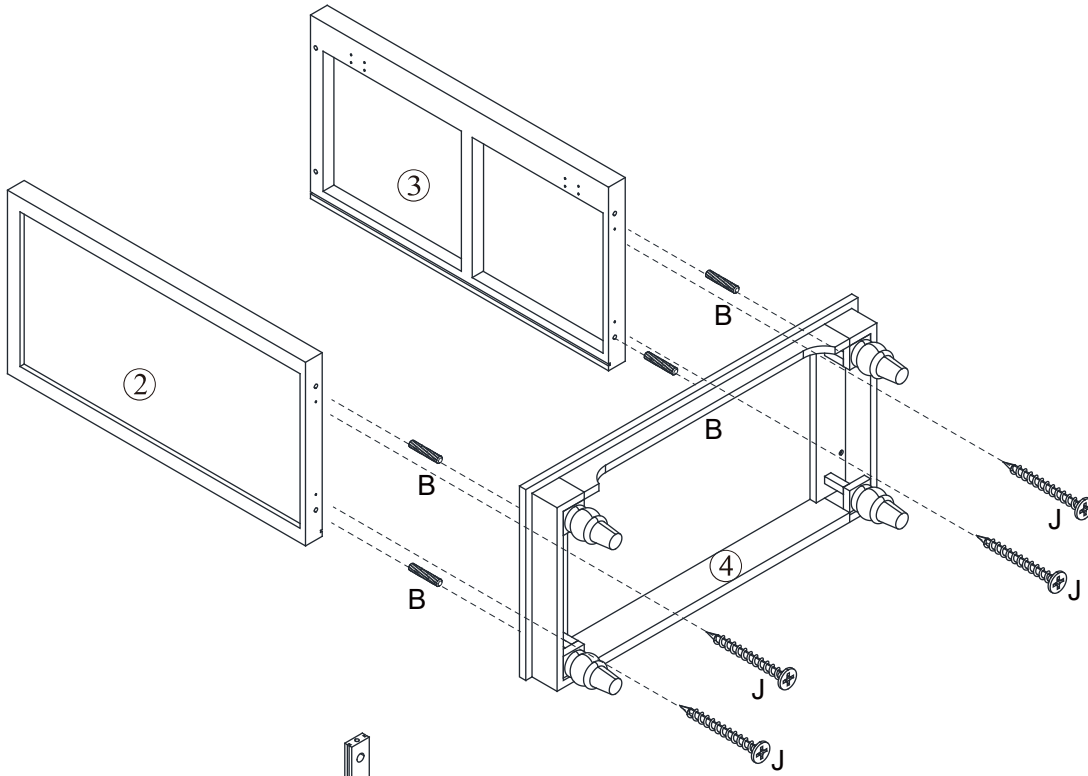
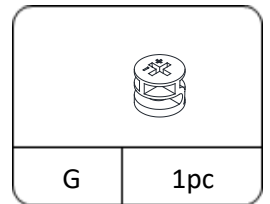
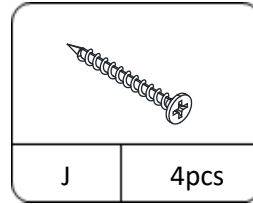
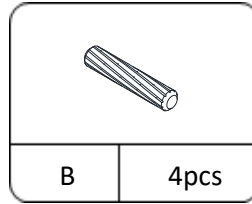
## NOTED:



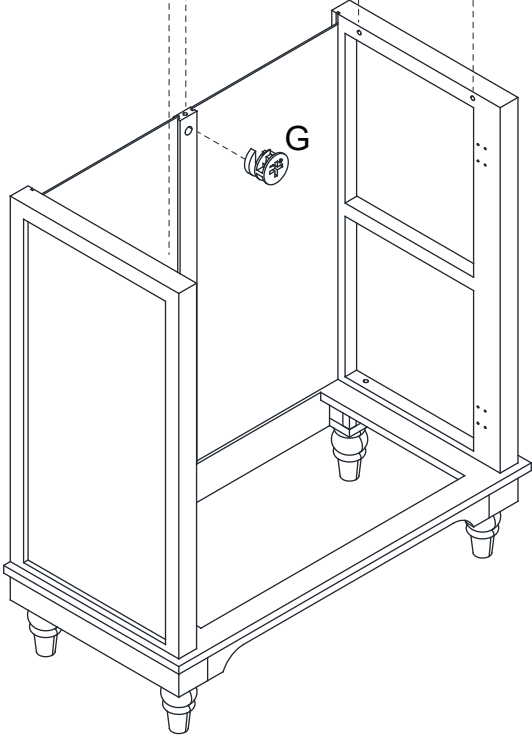
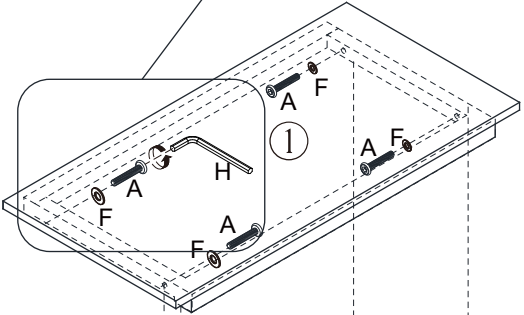
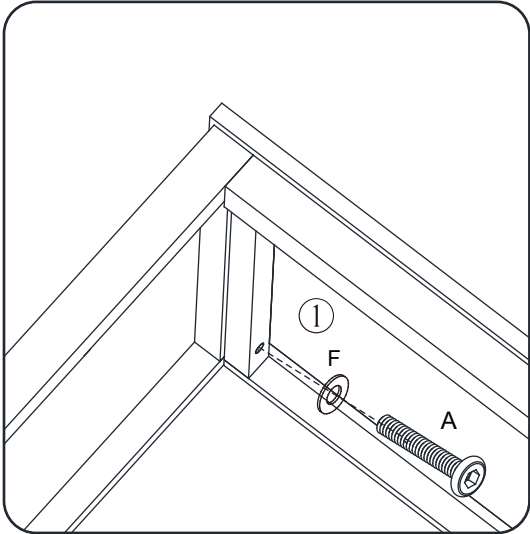
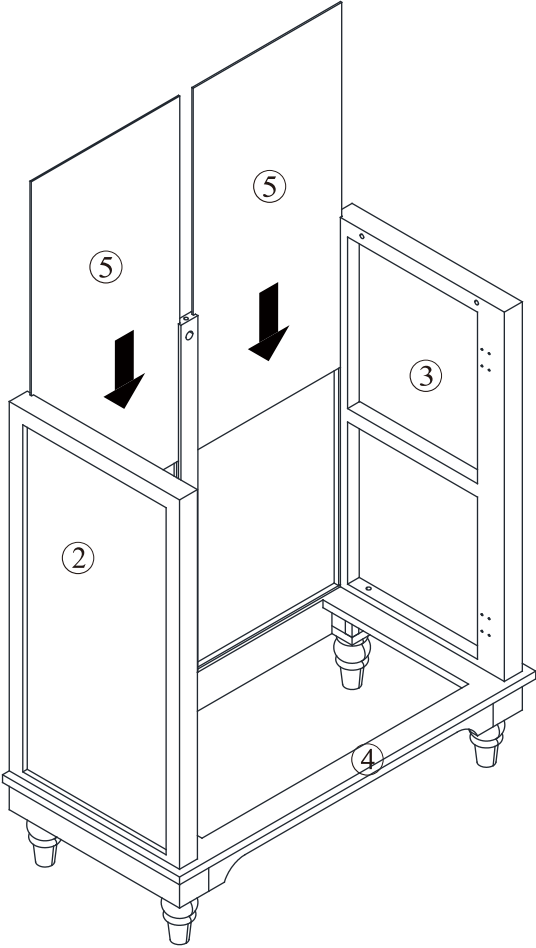
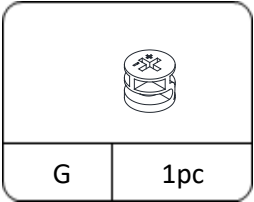
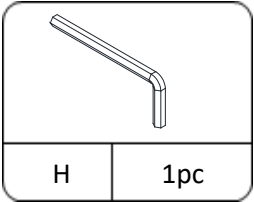
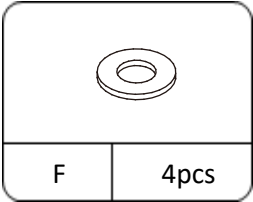
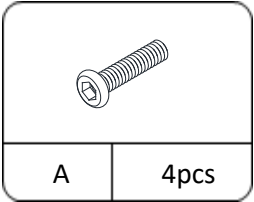
# Step 1



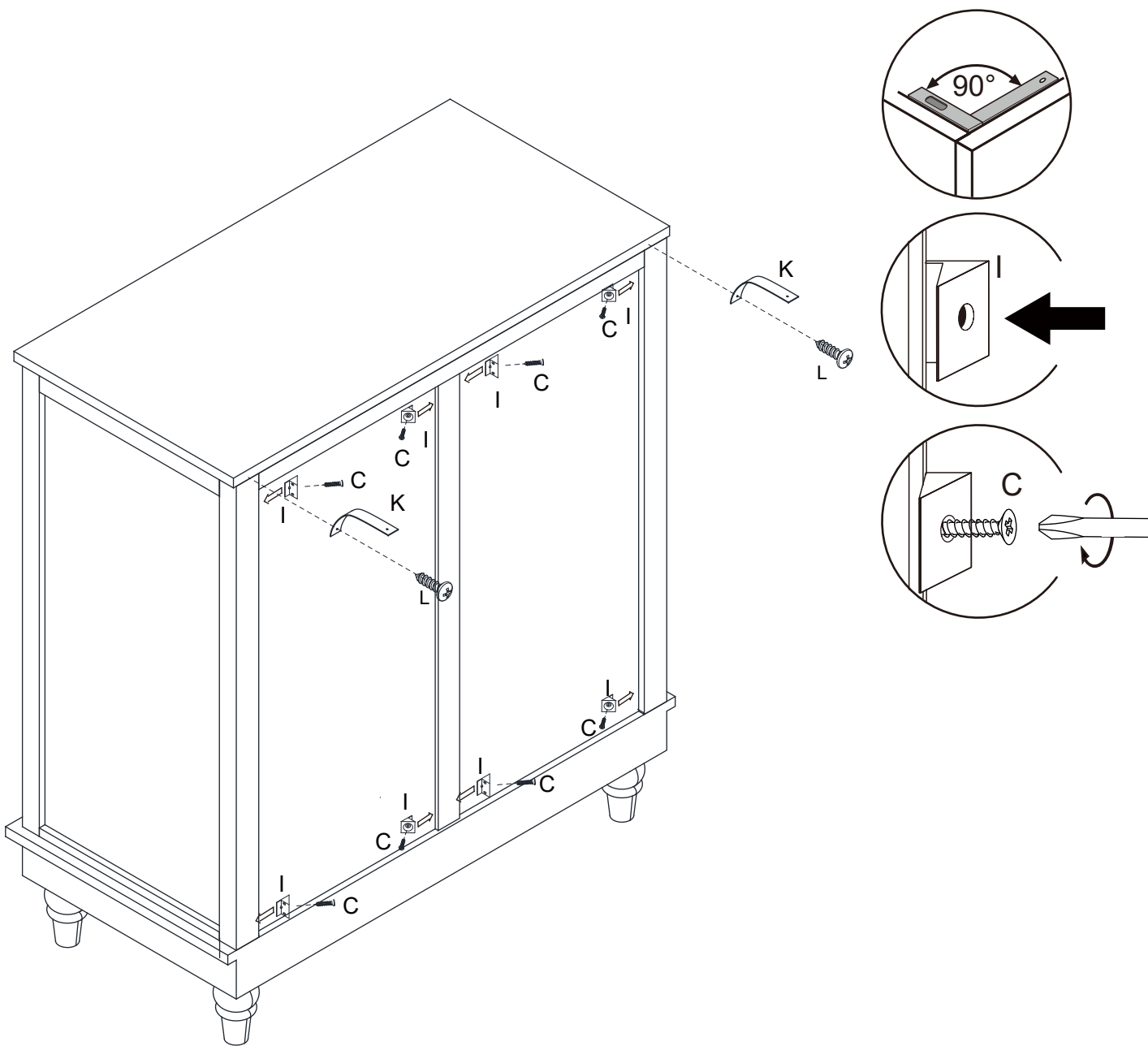
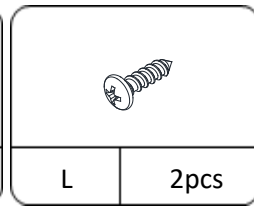
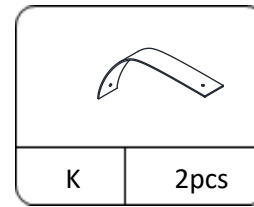
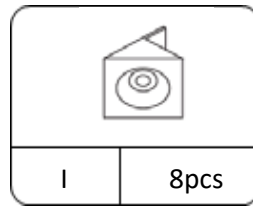
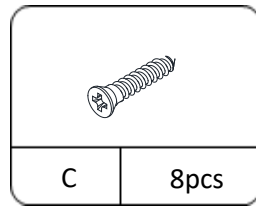
# Step2



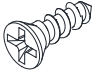
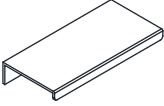

# Step3

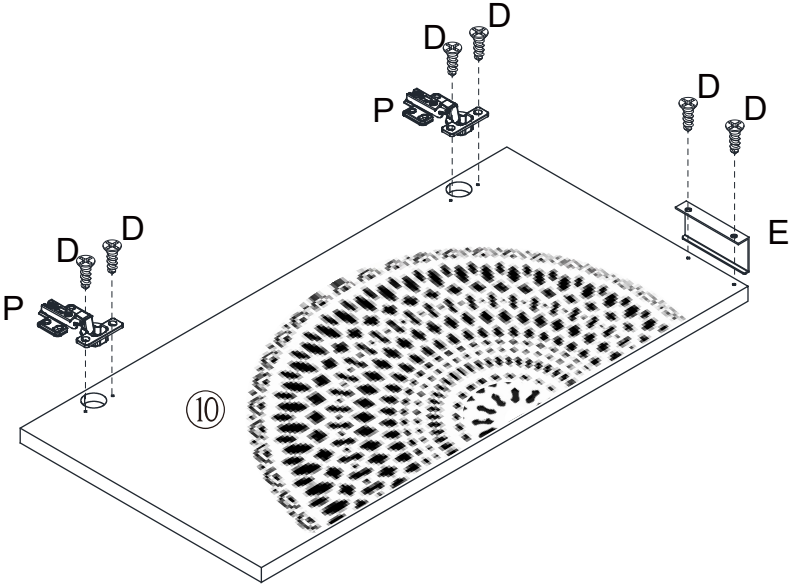
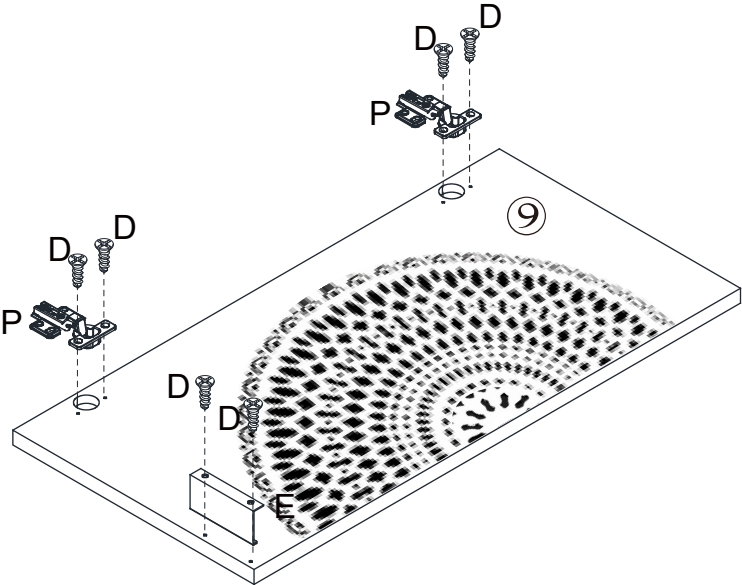


# Step4

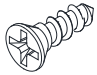


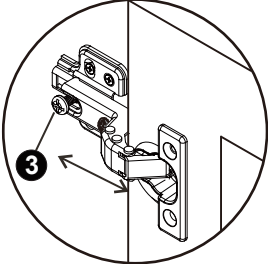
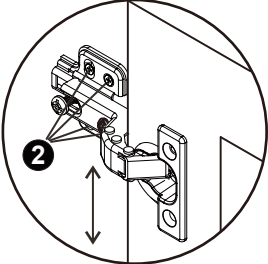
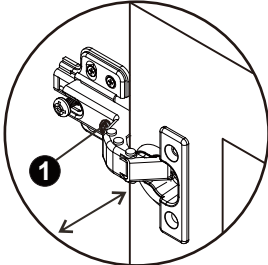
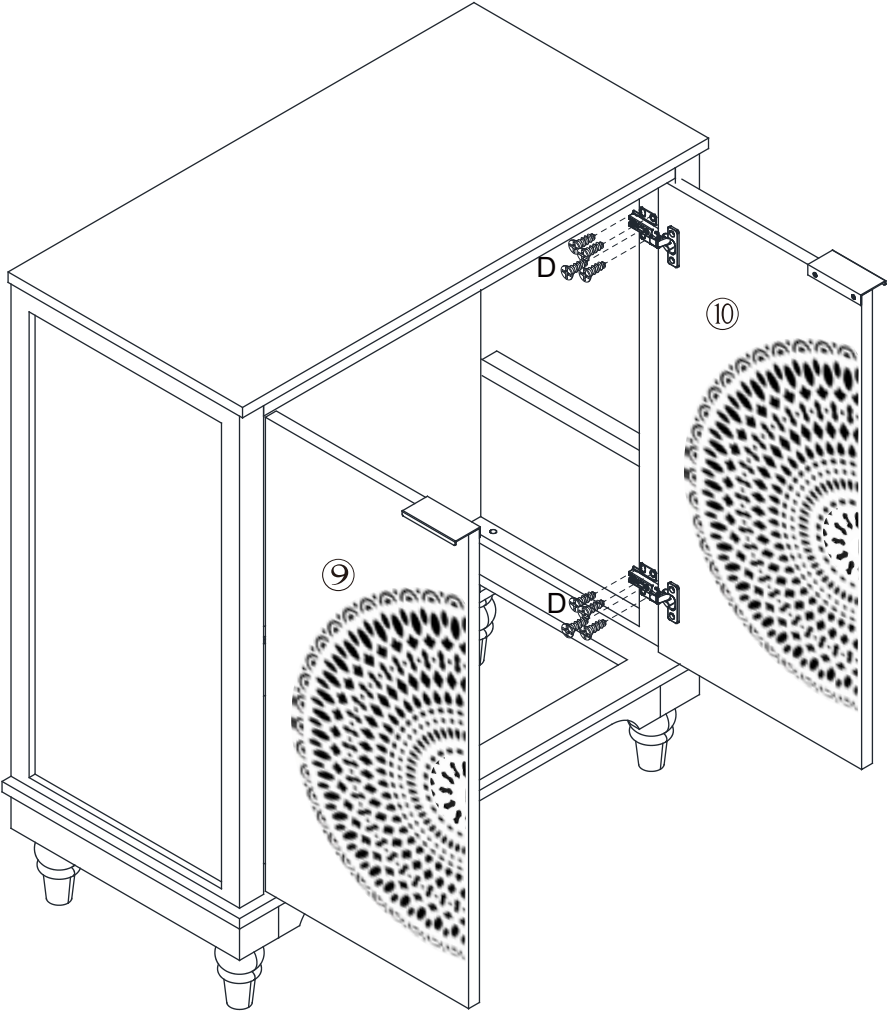
# Step5

					
D	12 pcs	E	2 pcs	P	4 pcs

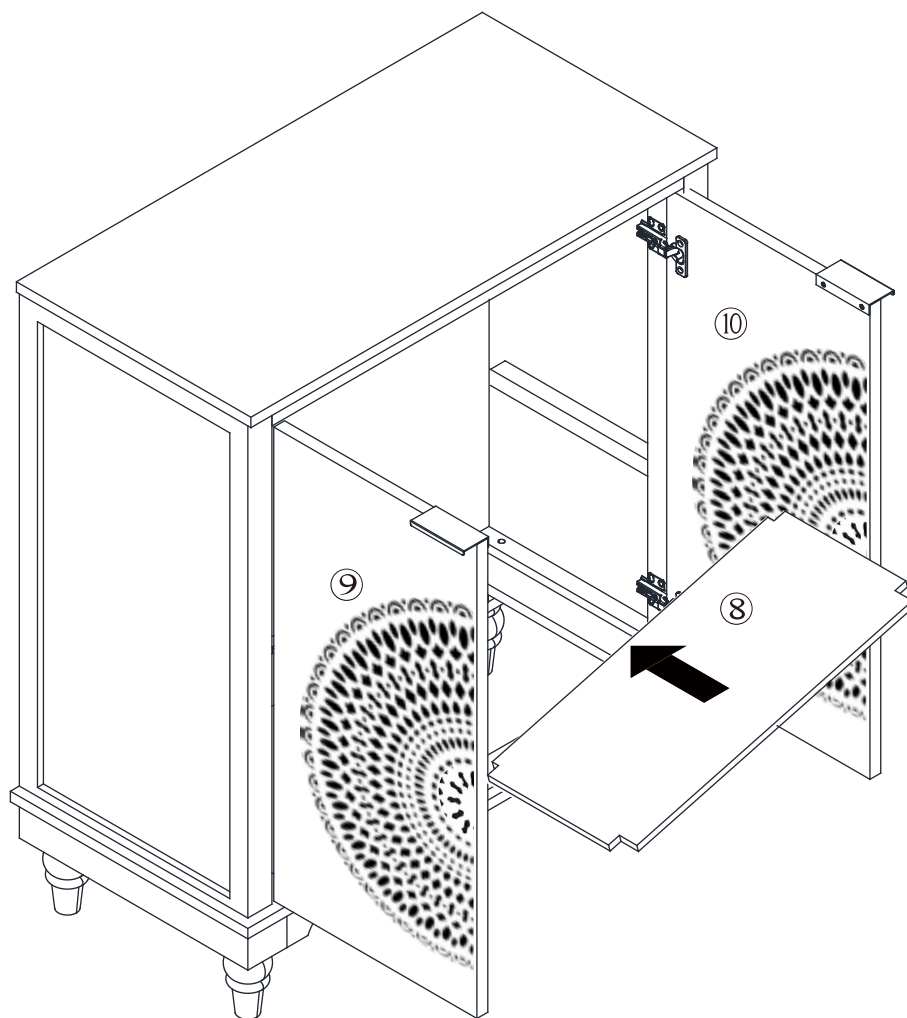


# Step6

	
D	16pcs

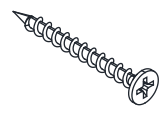



# Step 7

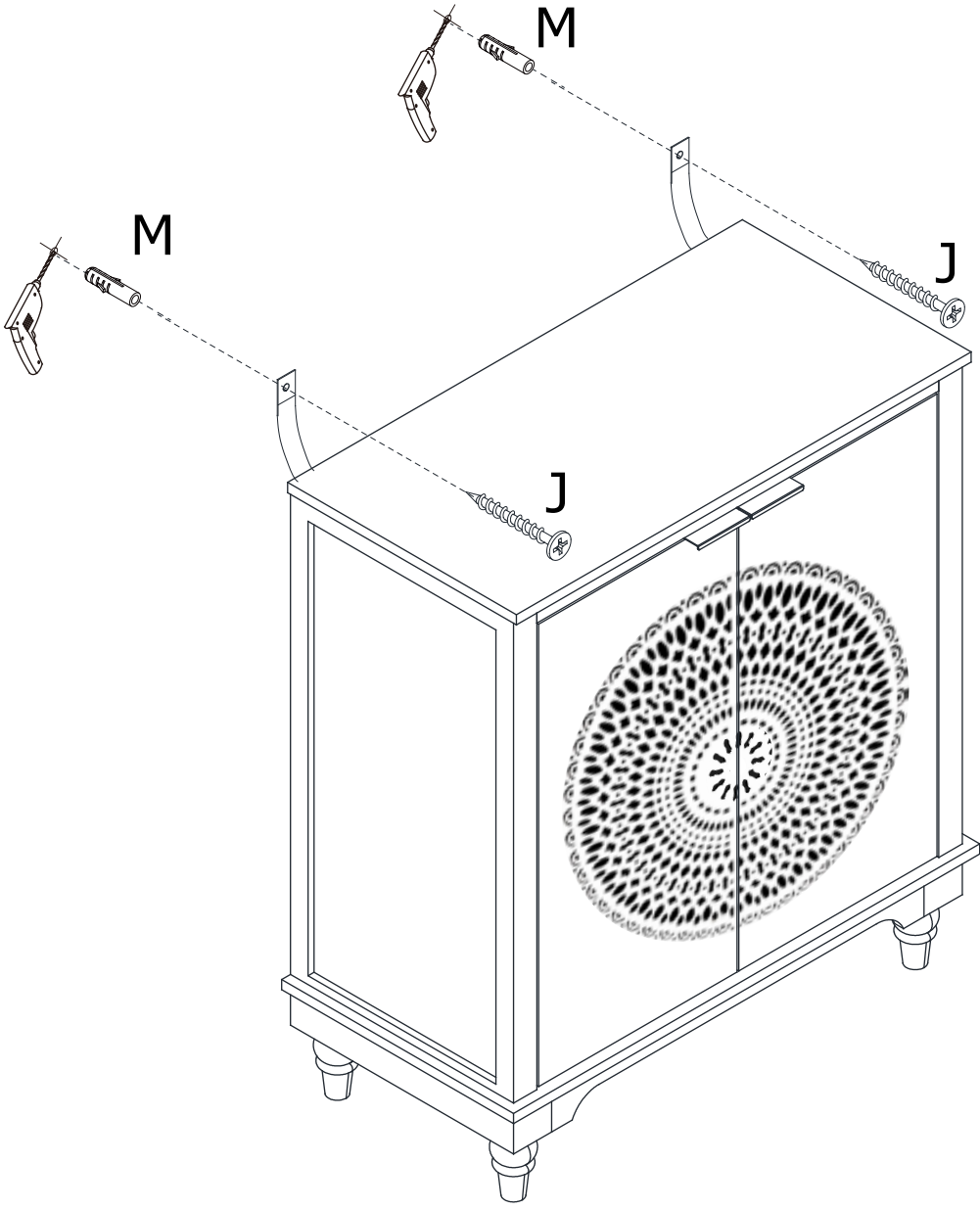




# Step8

	
J	2pcs

	
M	2pcs



## Proper Use

- DO NOT** use for commercial purposes
- DO NOT** use as a step stool or stand on table
- DO NOT** put hot serving liquid directly on the table top
- DO NOT** leave spilled liquid on the table top
- DO NOT** use table if damaged
- DO NOT** exceed weight limit
- DO NOT** make temporary repairs
- DO NOT** use outdoor

Dear Customer:

Thank you for purchasing our product, we wish you satisfy our service, if you have any further questions or any quality issues, please show the belows number and don't hesitate to contact our Customer Service People :

**W688202312**