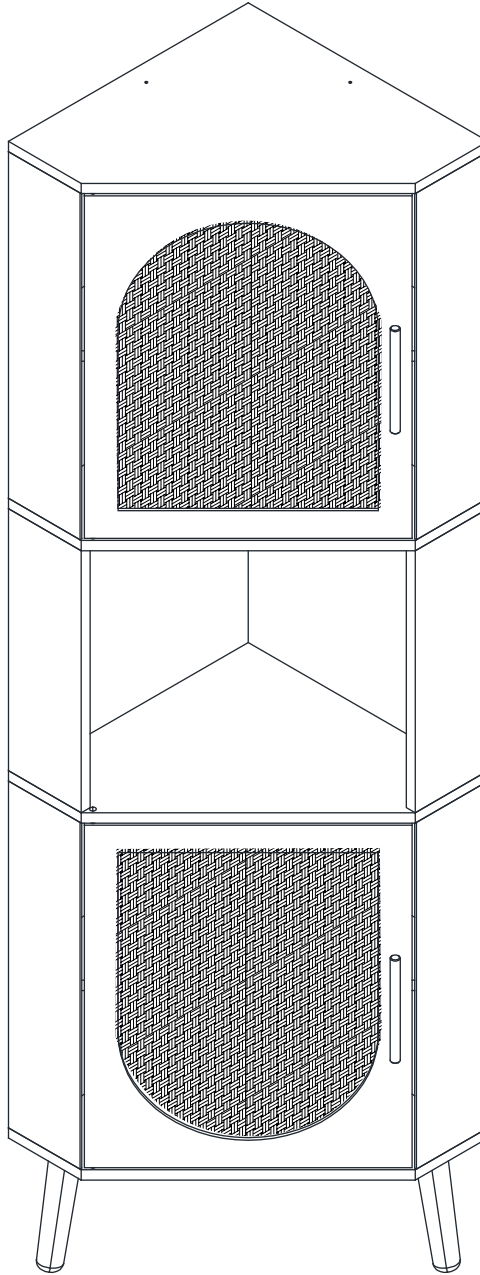


Installation Instruction



Product name

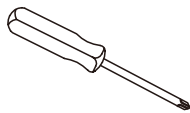
Corner Cabinet

Ver.1.0 20240518

Assembling

What you need

- Use the packaging carton as a working surface to prevent product damage during assembly
- Phillips head screwdriver



Weight Limitation



40

lbs table top

22

lbs per shelf

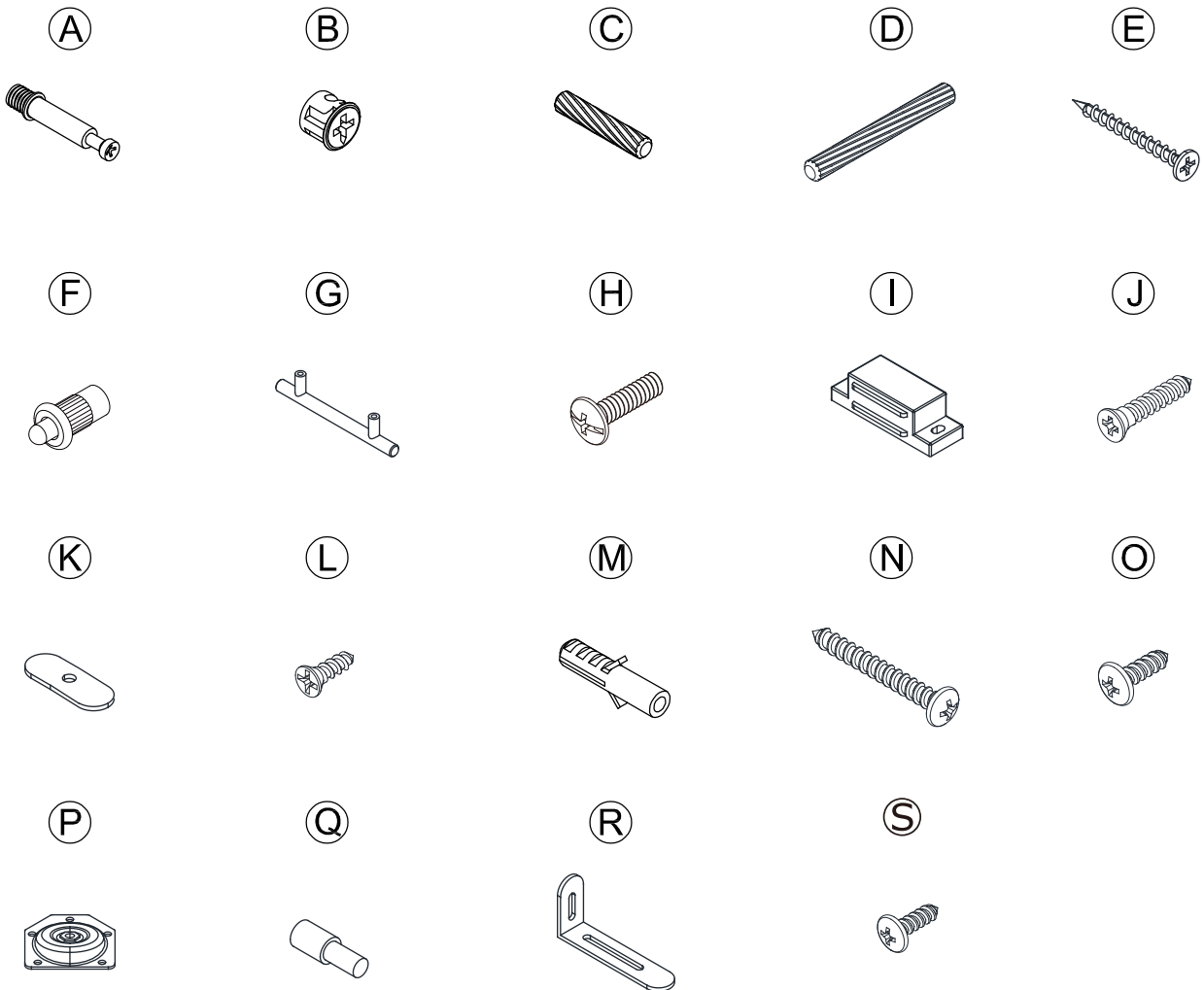


2 PERSONS

What's included

Code	Description	Qty
A	Cam Bolt M6X35MM	30
B	Cam Lock 15X10MM	30
C	Wooden Dowel M6X30MM	30
D	Wooden Dowel M6X50MM	12
E	Screw M4X35MM	24
F	Plastic Pin	4
G	Handle	2
H	Bolt M4X22MM	4
I	Magnetic Door Catcher	2
J	Screw M3X14MM	4
K	Door Metal Plate	2
L	Screw M3X12MM	2
M	Anchor M6X30MM	2
N	Screw M4X35MM	2
O	Screw M4X14MM	15
P	Metal Pin	3
Q	Metal Support	8
R	Metal Plate	2
S	Screw M4X12MM	2

The Hardwares



IMPORTANT:

1. Do not tighten bolts / screws completely until all bolts / screws are lined up and inserted into holes.
2. Do not over tighten screws and bolts to avoid stripping.
3. Please use hand tools to assemble this product. Do not use power tools.
4. Must need 2 people to assemble this product.

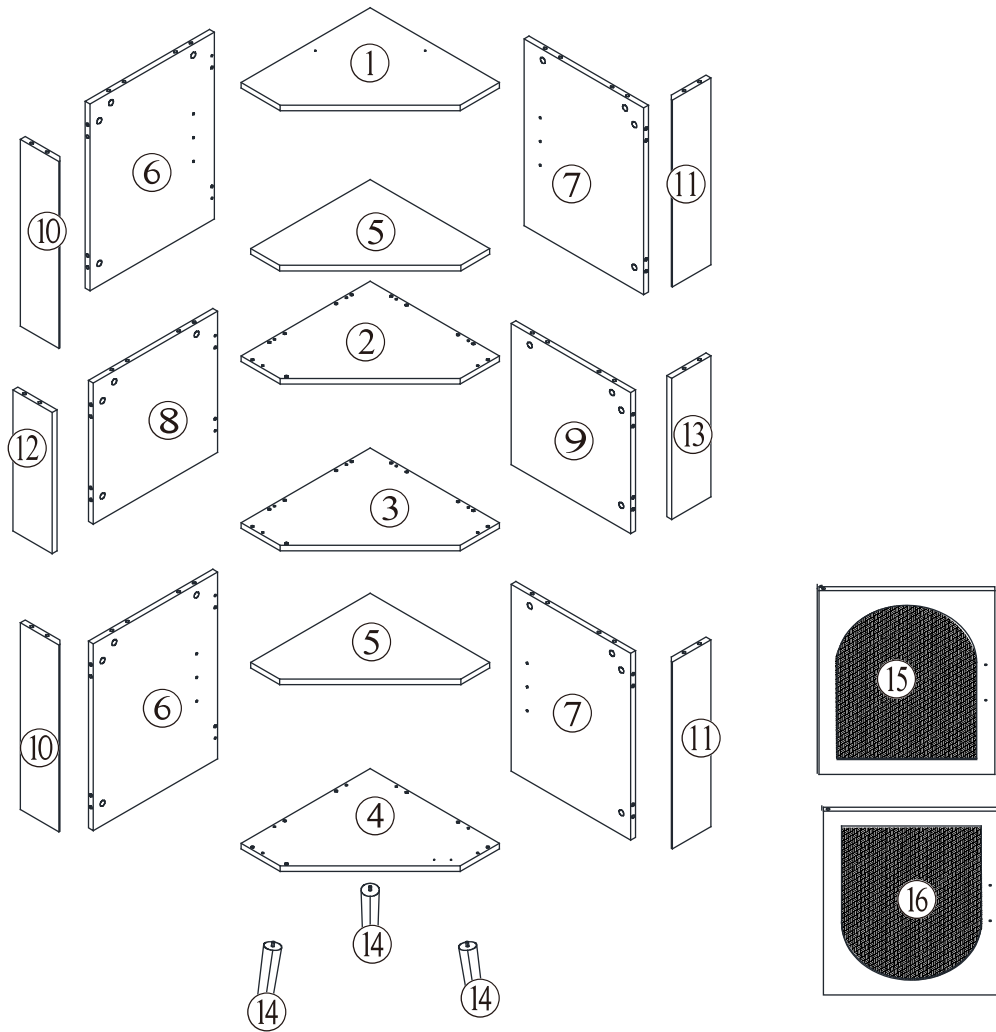


2 PERSONS

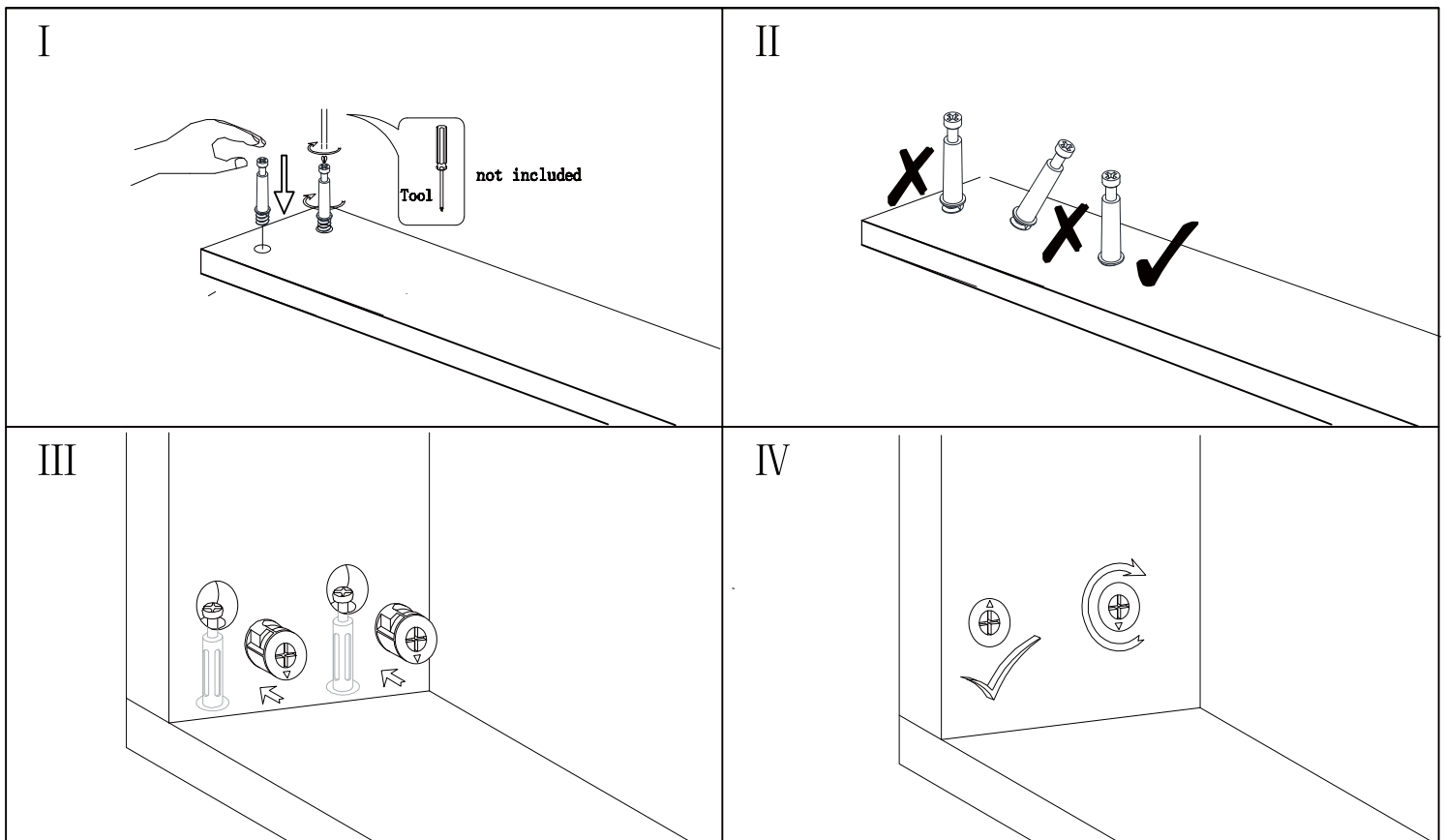
Included Accessories

Code	Description	Qty
1	Cabinet Top	1
2	Upper Bottom Panel	1
3	Lower Top Panel	1
4	Bottom Panel	1
5	Shelf	2
6	Left Upper and Lower Back Panel	2
7	Right Upper and Lower Back Panel	2
8	Left Middle Back Panel	1
9	Right Middle Back Panel	1
10	Left Upper and Lower Side Panel	2
11	Right Upper and Lower Side Panel	2
12	Left Middle Side Panel	1
13	Right Middle Side Panel	1
14	Feet	3
15	Upper Door Panel	1
16	Lower Door Panel	1

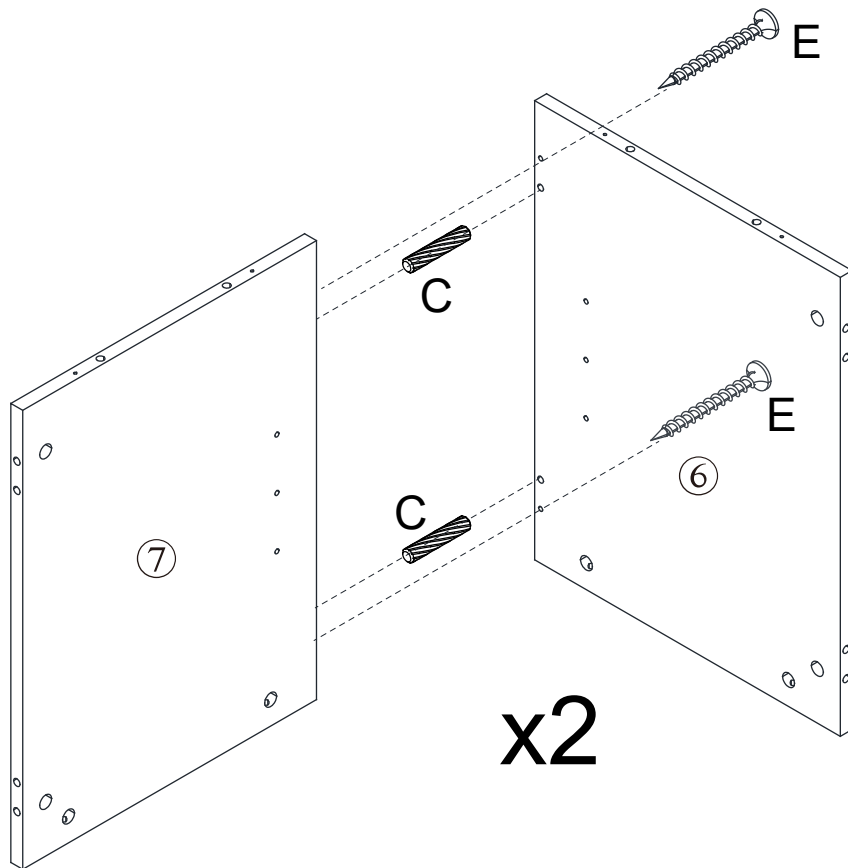
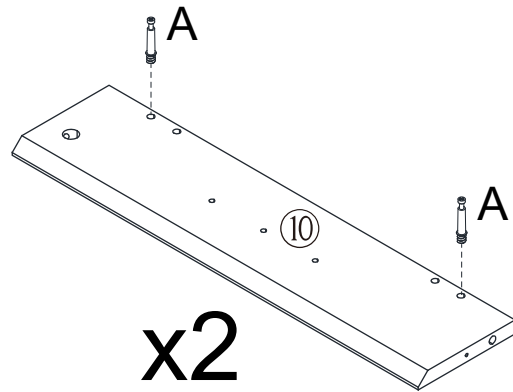
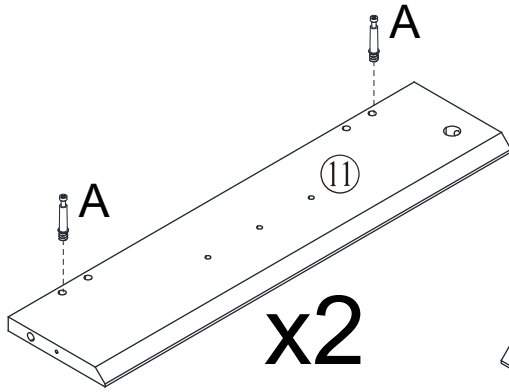
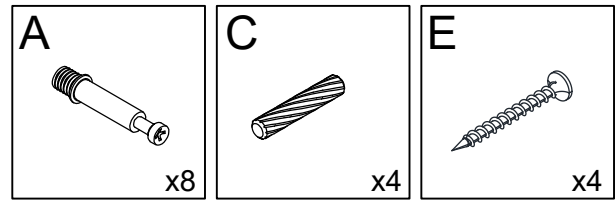
Accessories



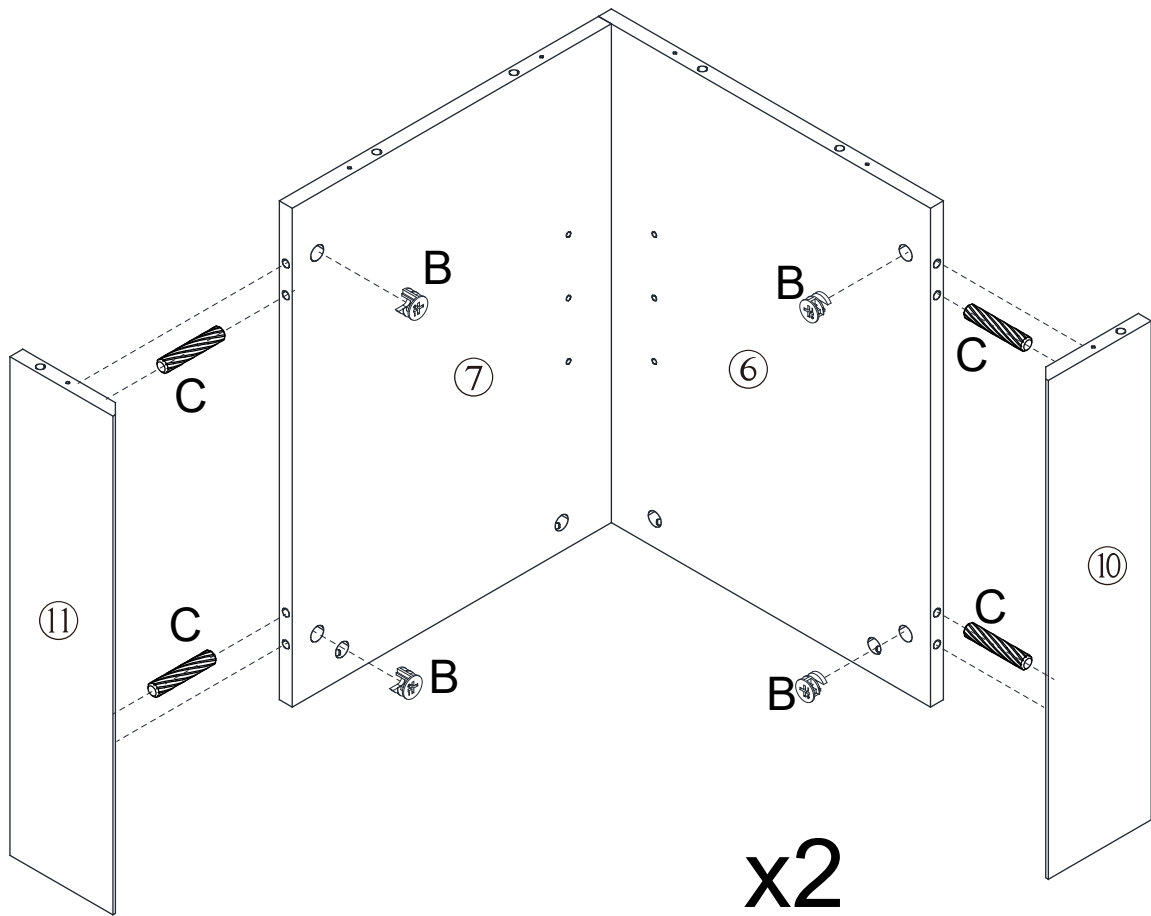
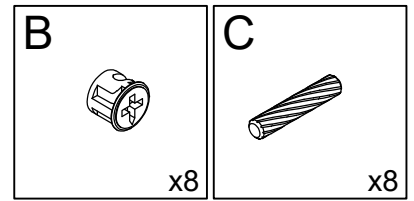
Noted :



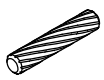


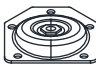
STEP 1

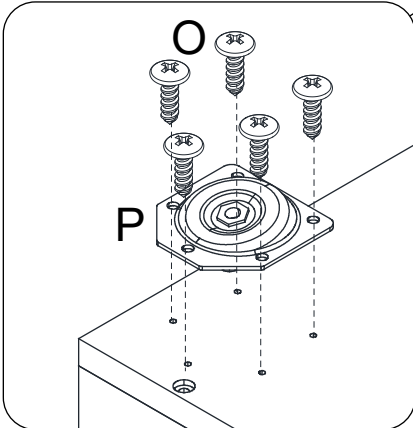
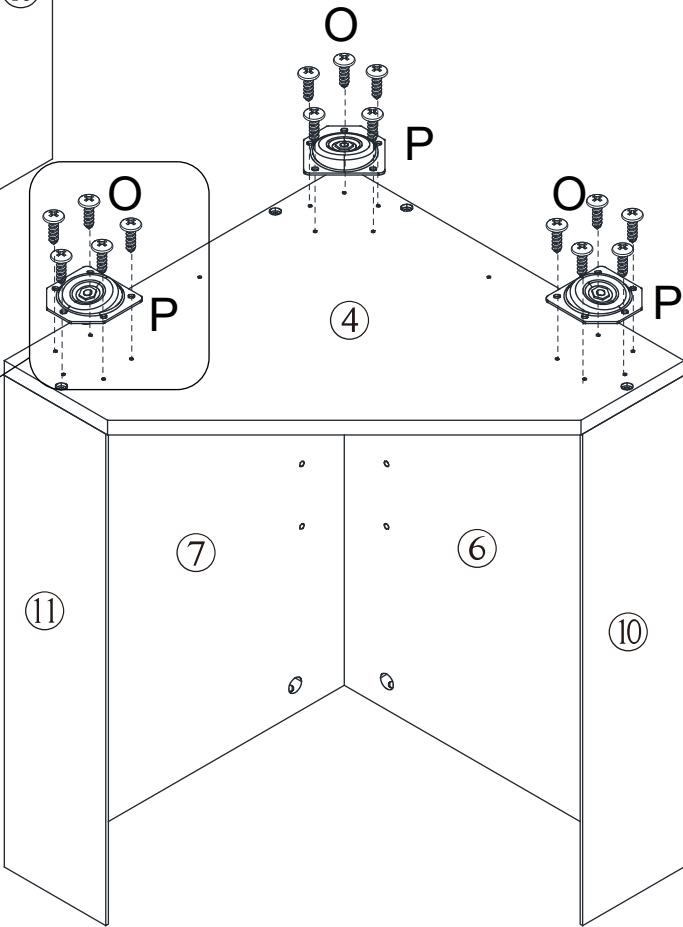
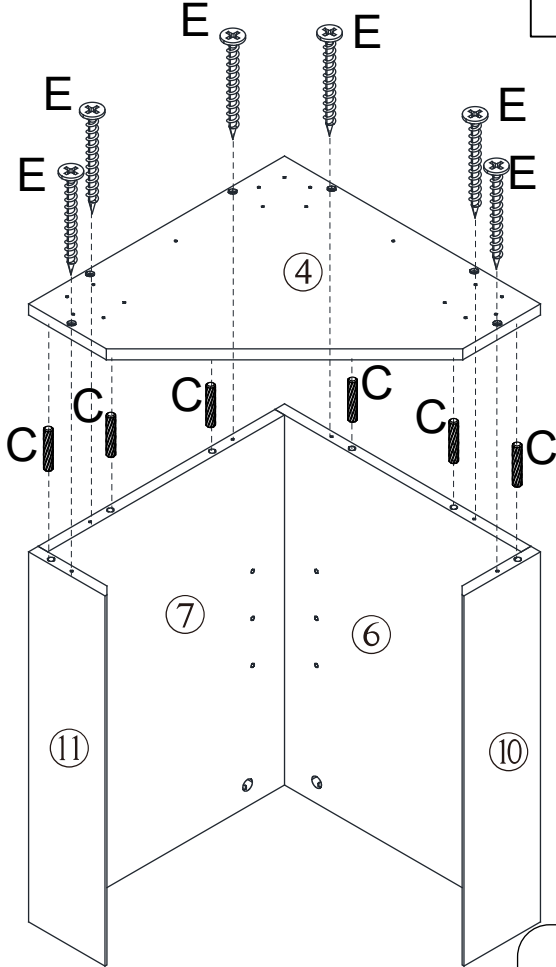


STEP 2

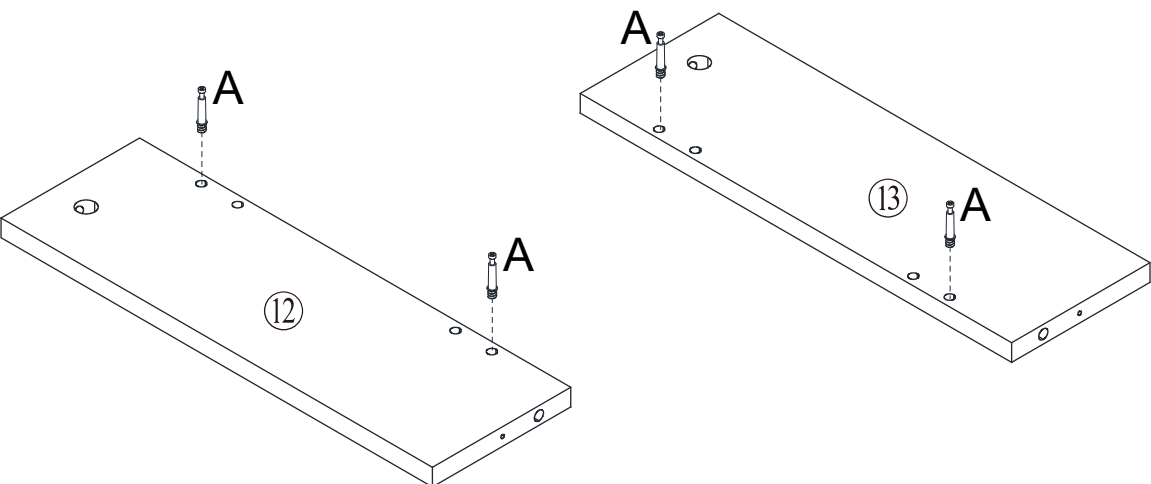
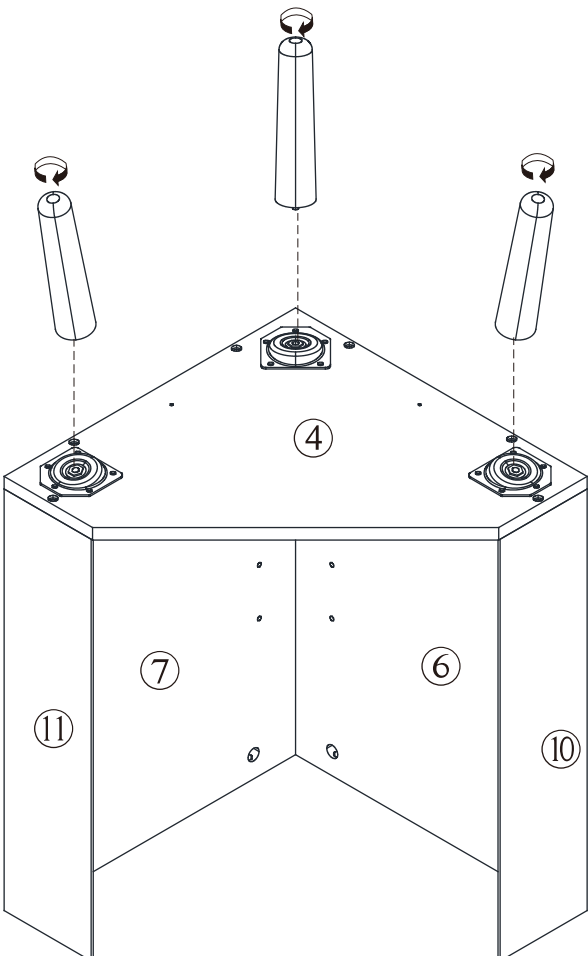
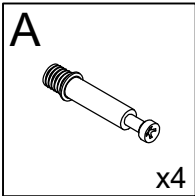


STEP 3

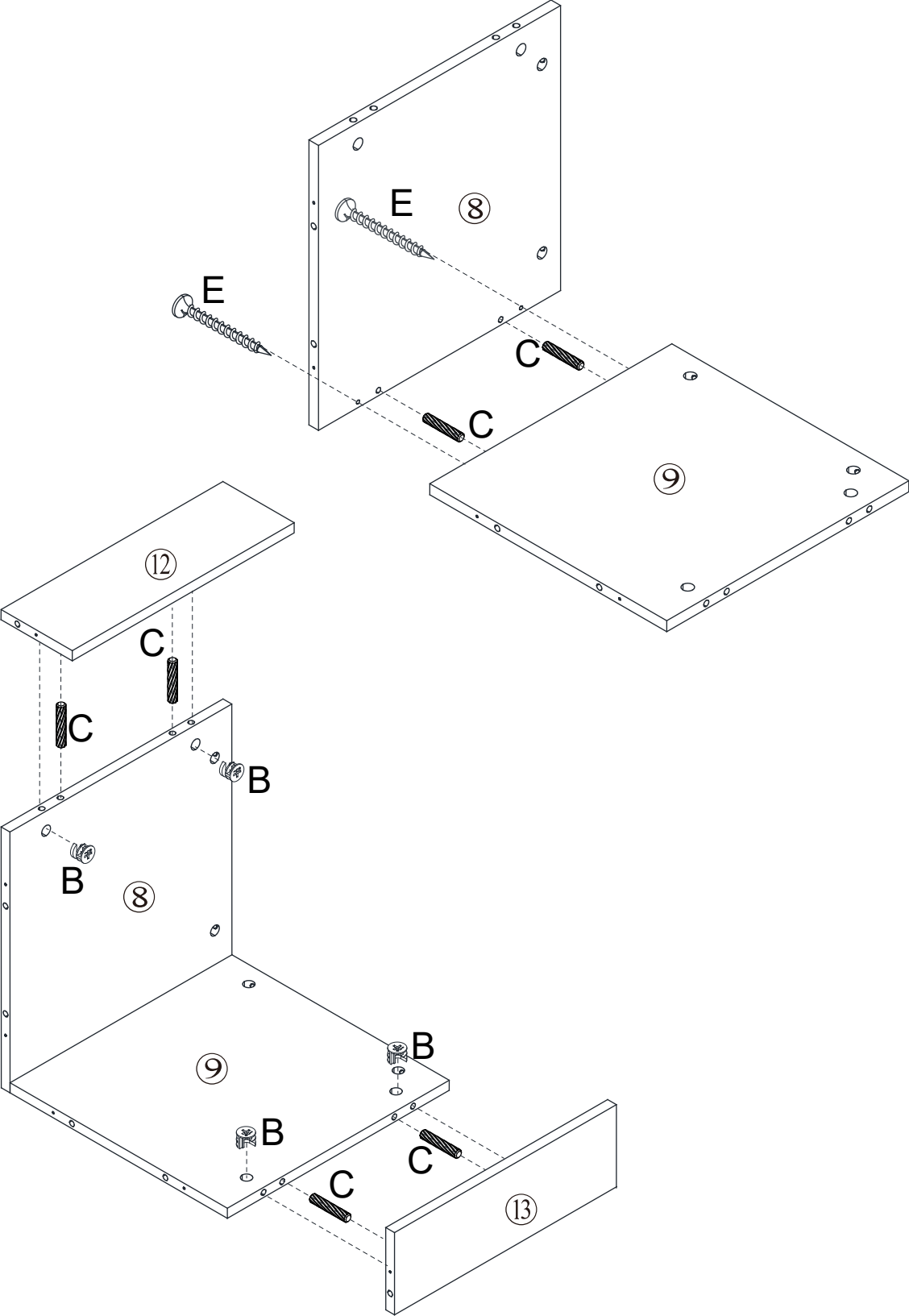
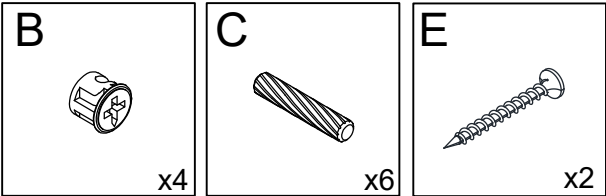
C  x6	E  x6	O  x15	P  x3
---	--	--	---



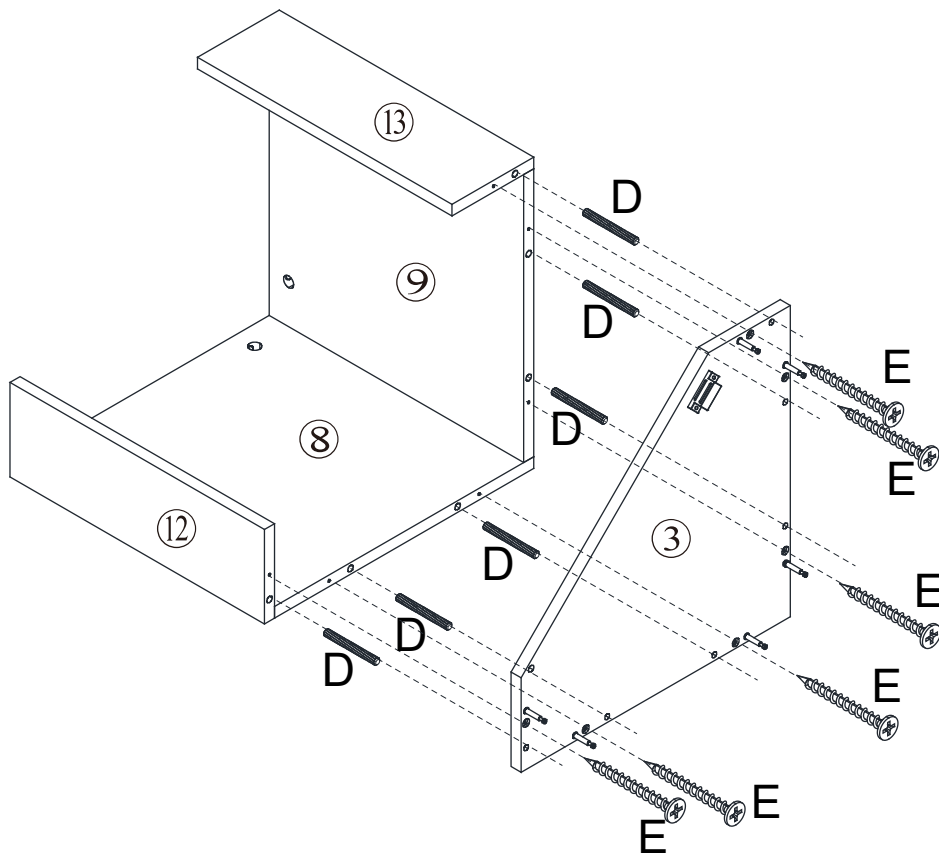
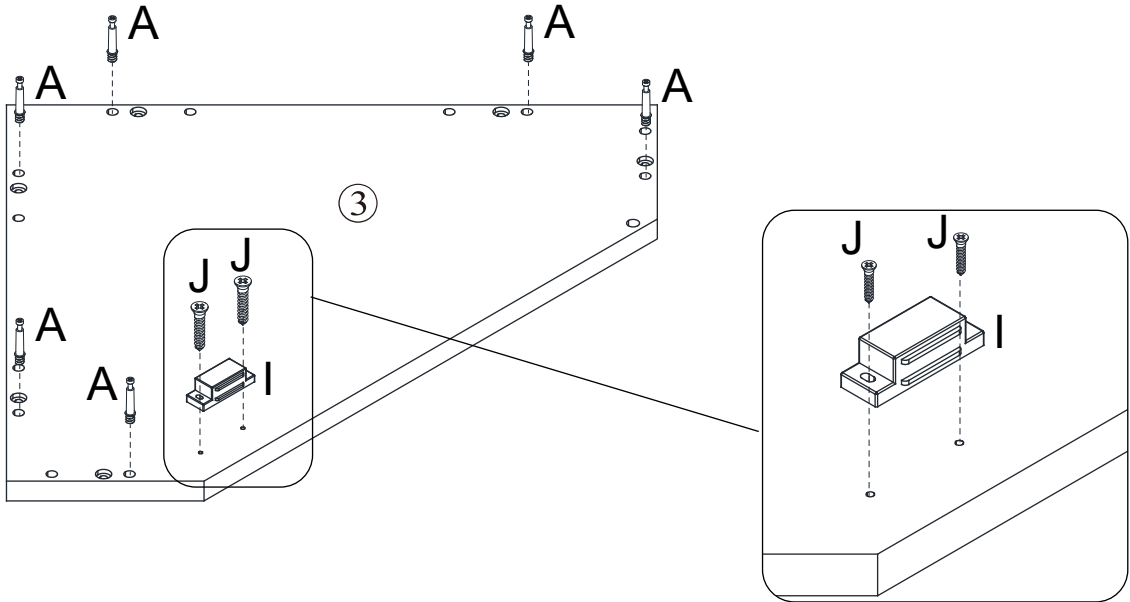
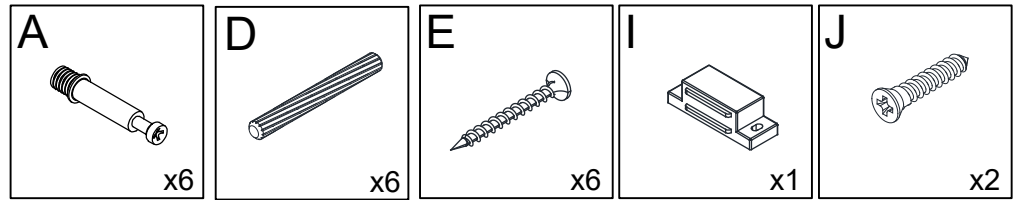
STEP 4



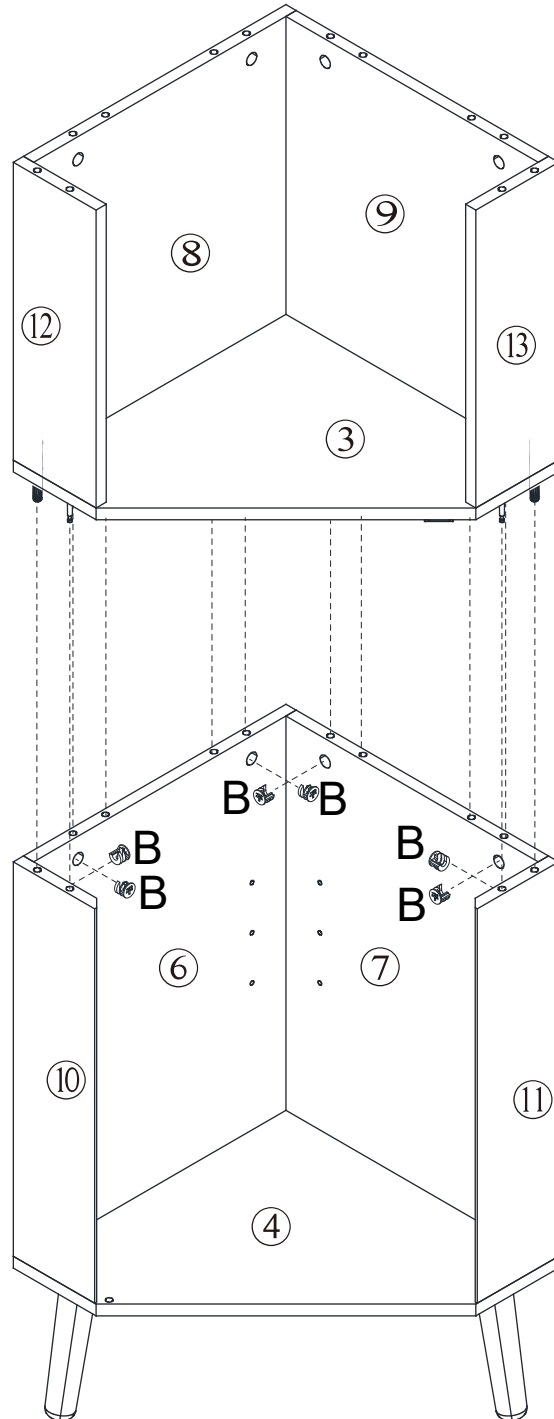
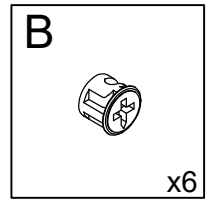
STEP 5



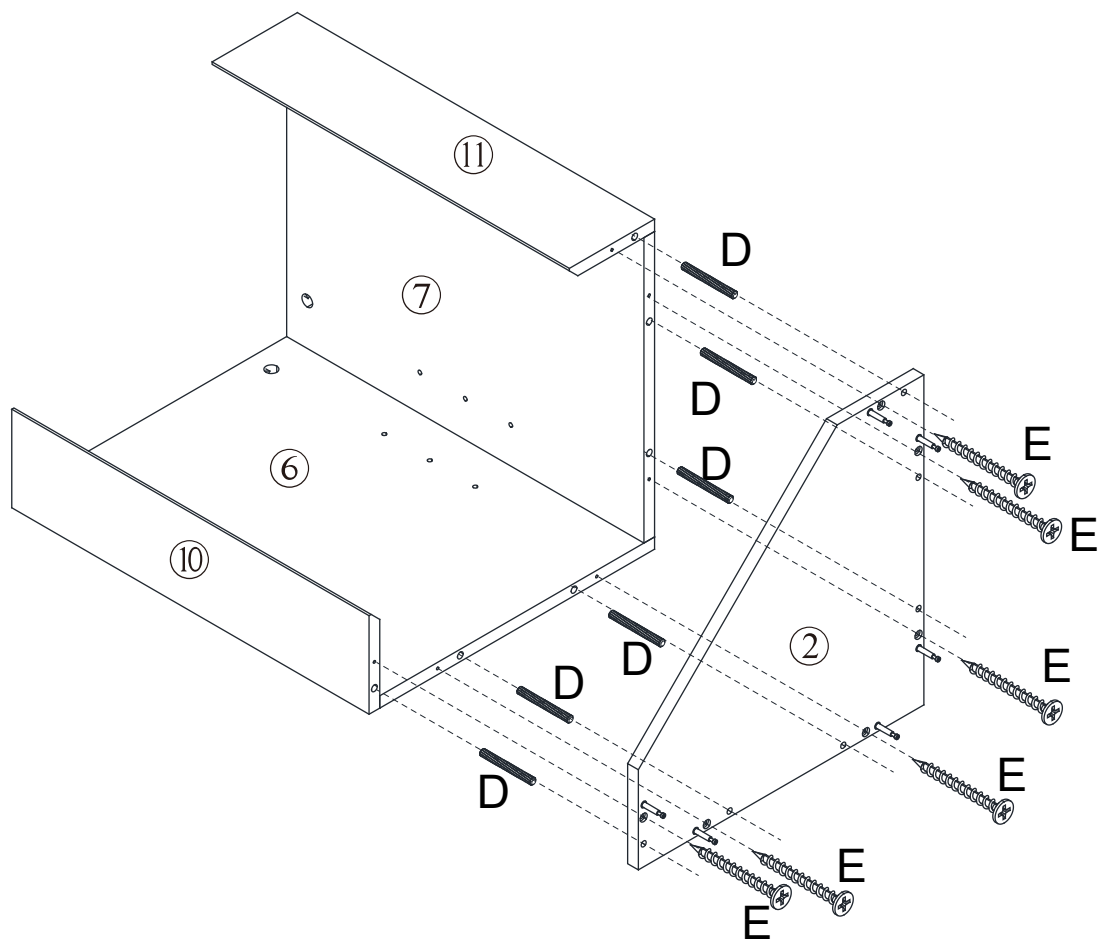
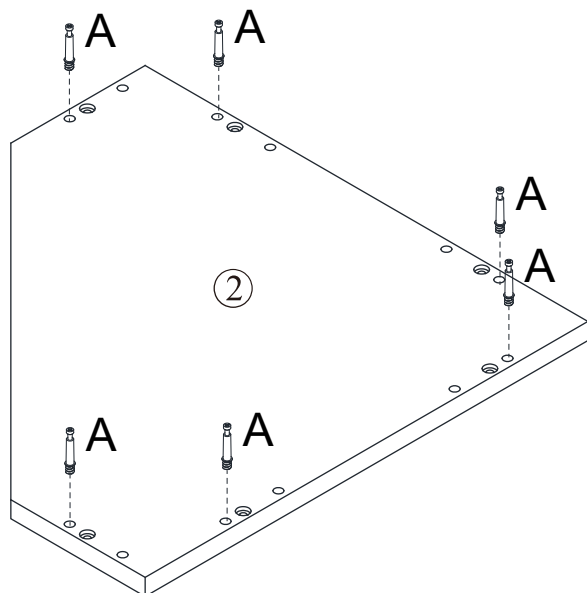
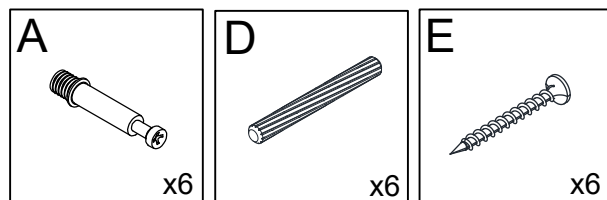
STEP 6



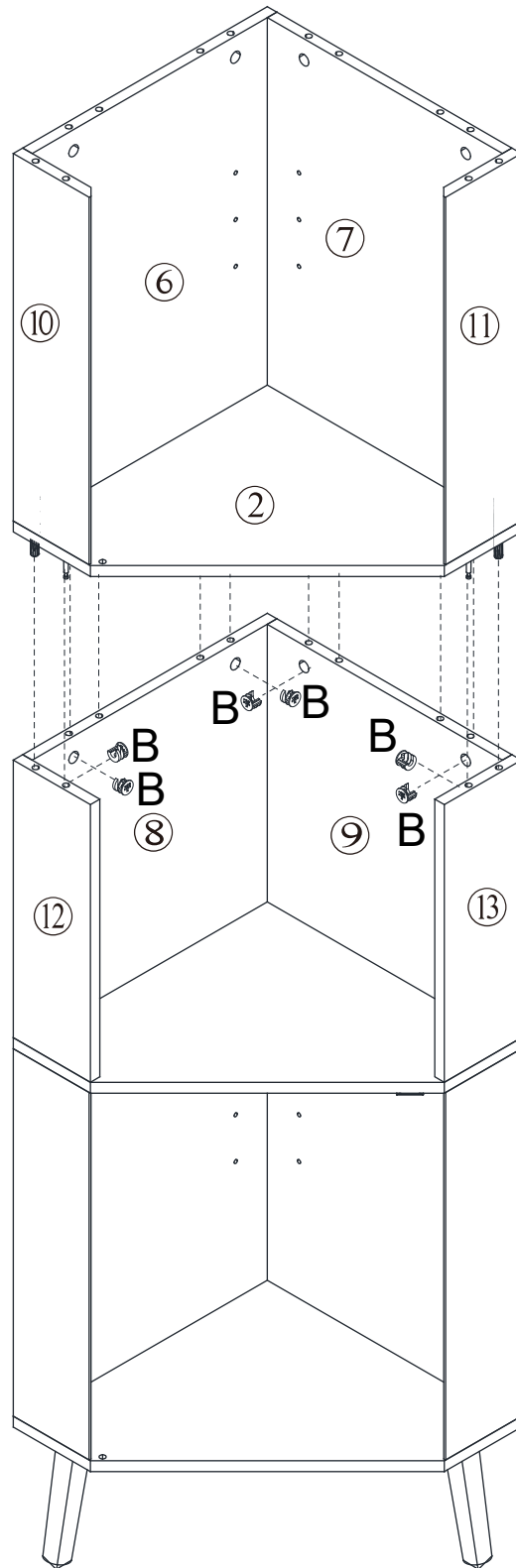
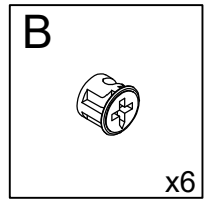
STEP 7



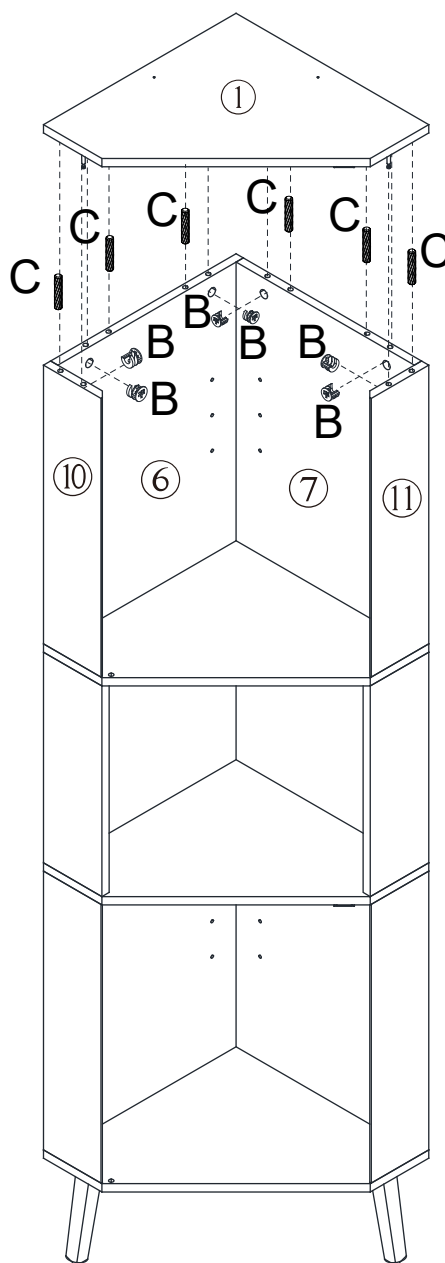
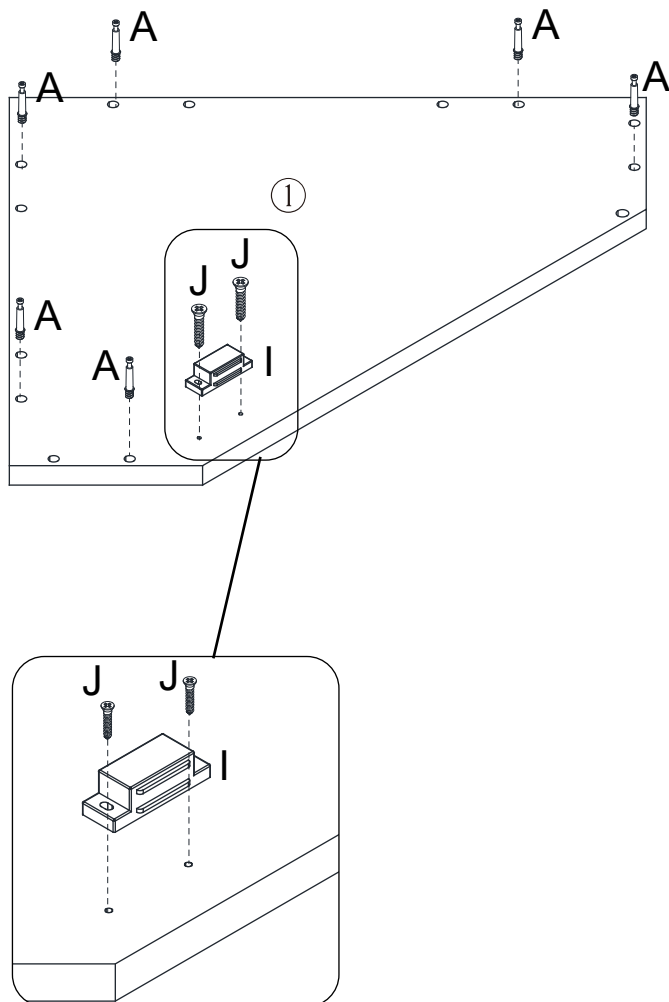
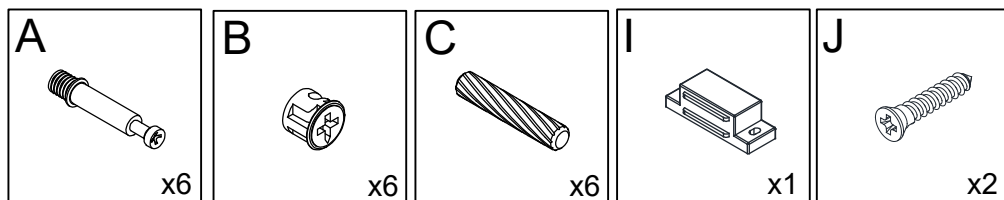
STEP 8



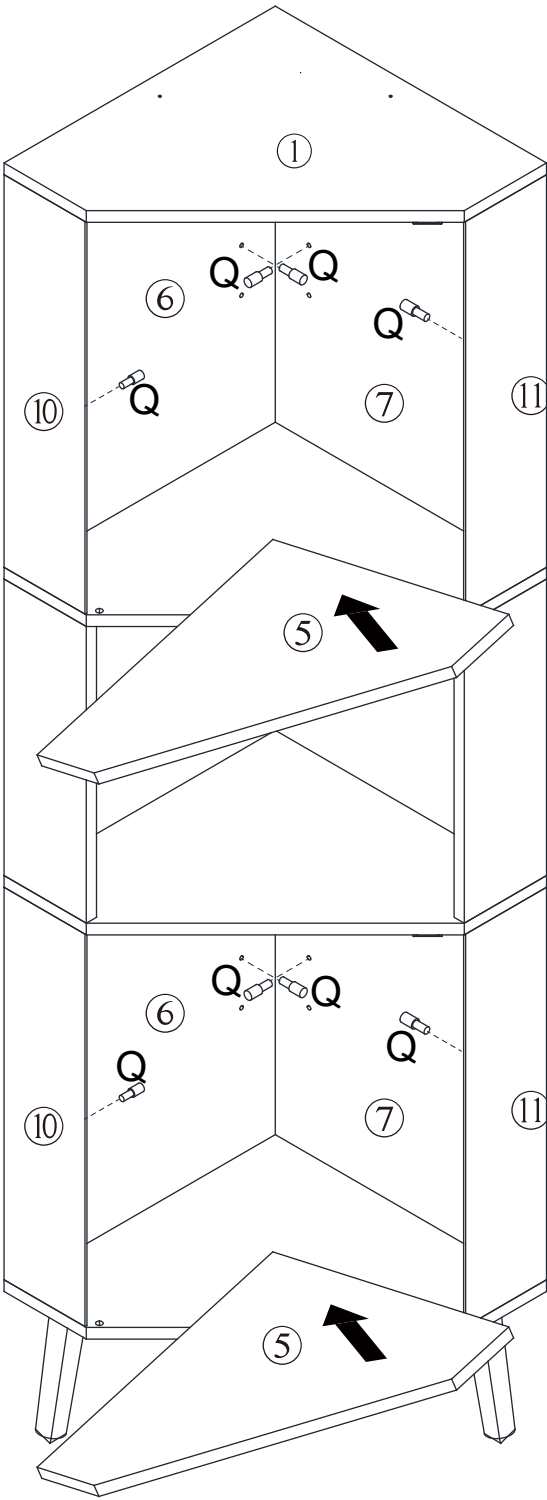
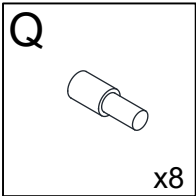
STEP 9



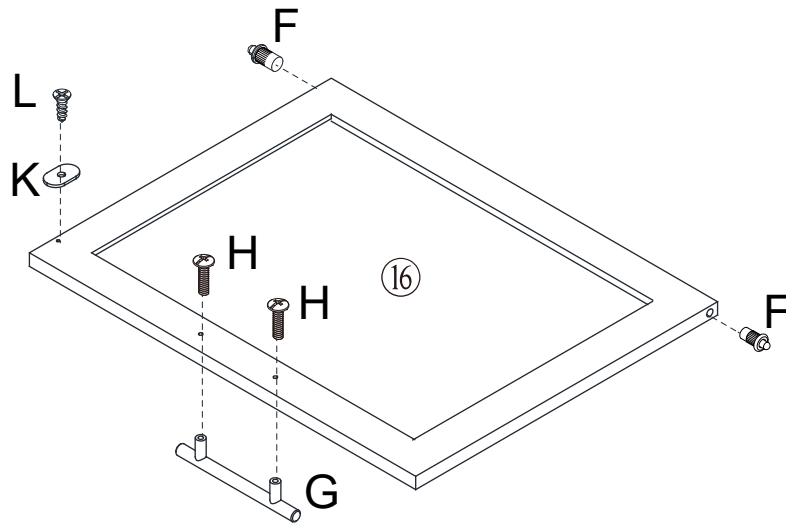
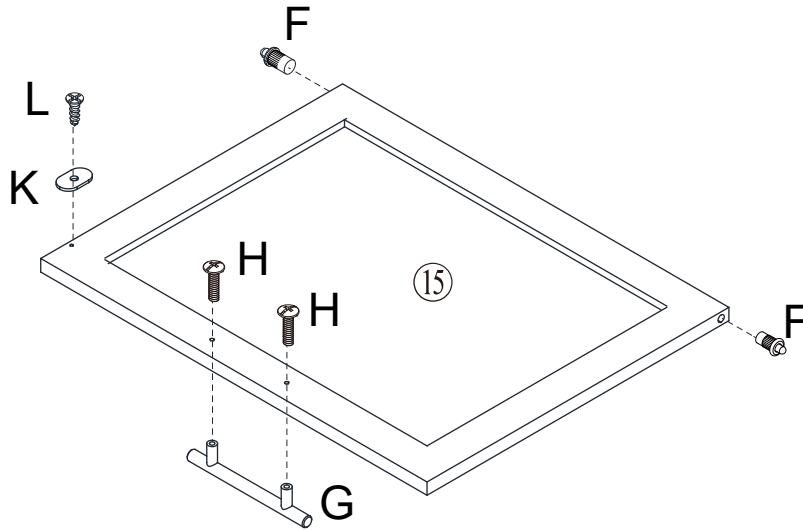
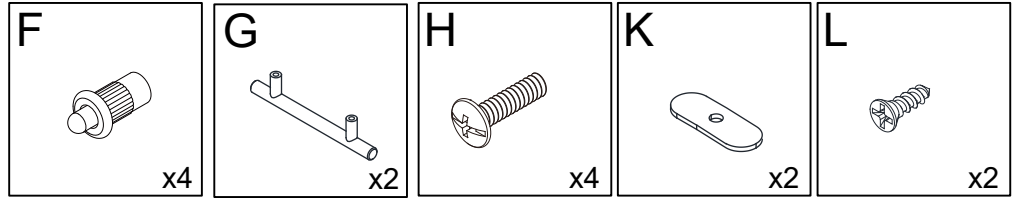
STEP 10



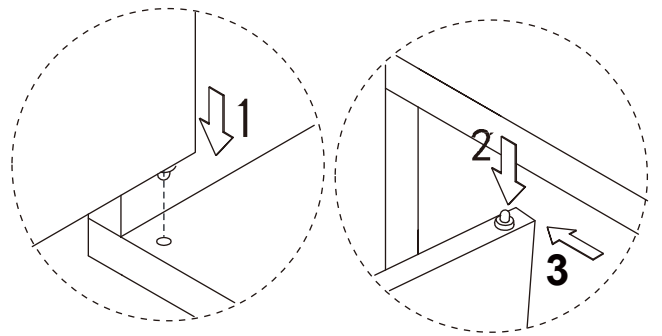
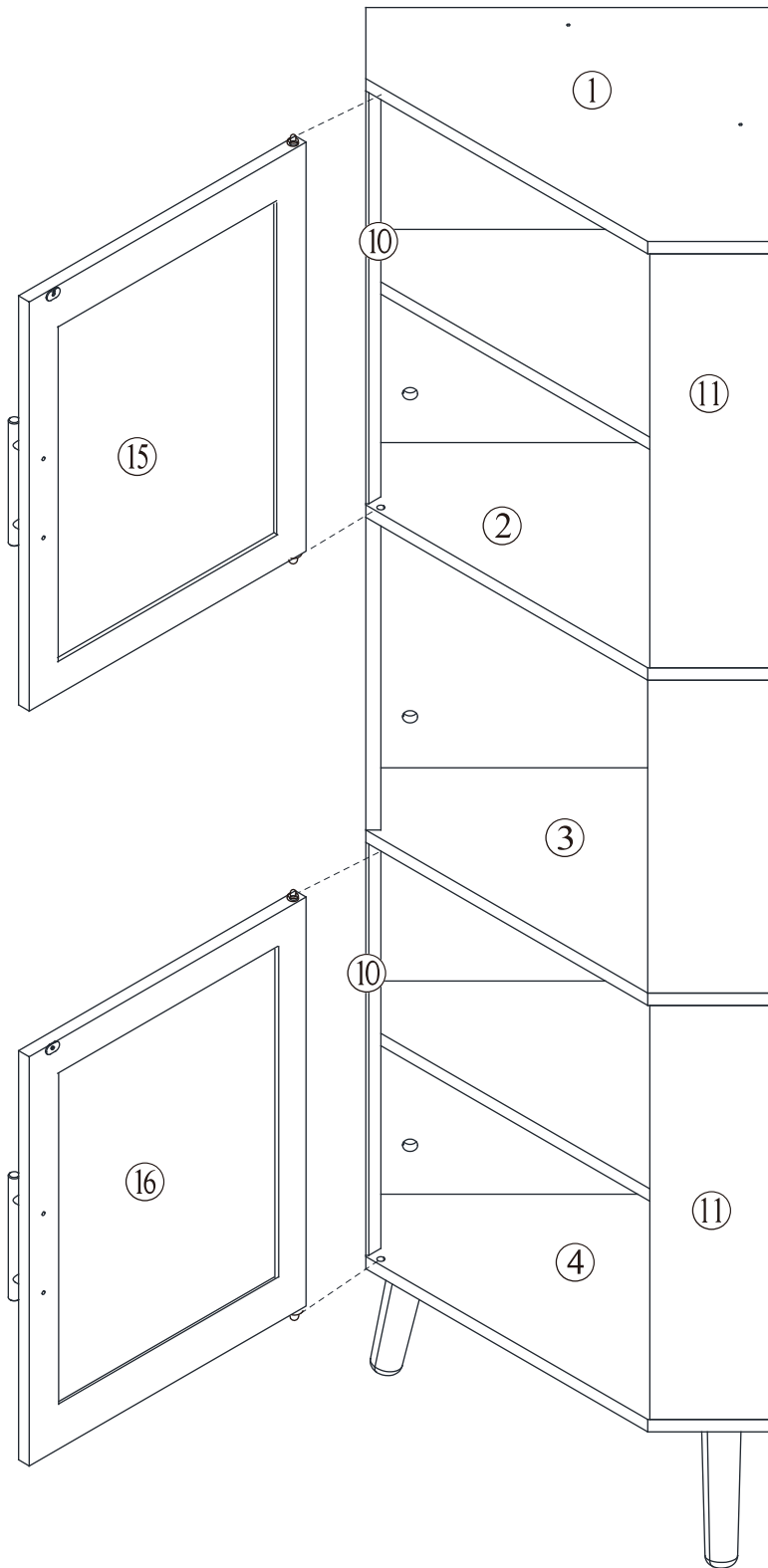
STEP 11



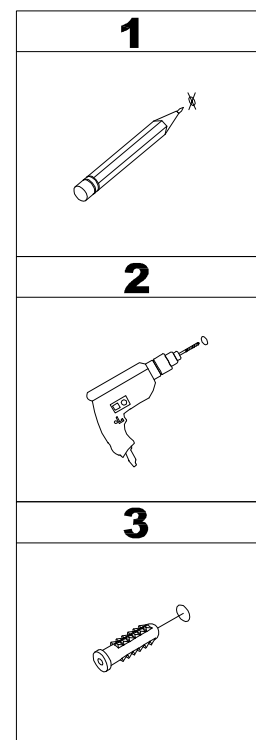
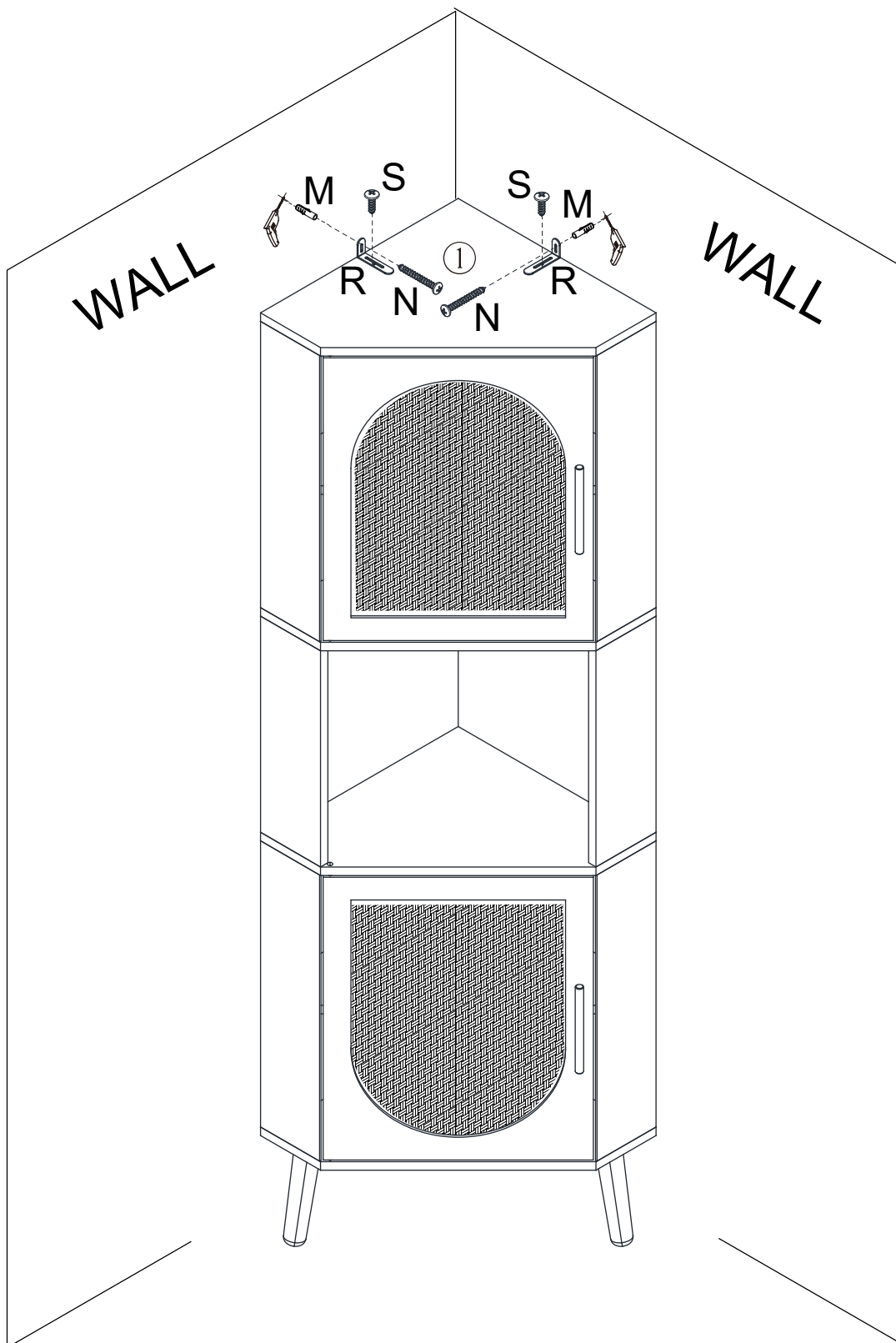
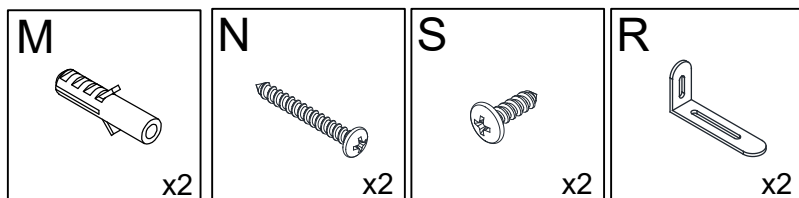
STEP 12



STEP 13



STEP 14



Proper Use

- DO NOT** use for commercial purposes
- DO NOT** use as a step stool or stand on table
- DO NOT** put hot serving liquid directly on the table top
- DO NOT** leave spilled liquid on the table top
- DO NOT** use table if damaged
- DO NOT** exceed weight limit
- DO NOT** make temporary repairs
- DO NOT** use outdoor

Dear Customer:

Thank you for purchasing our product, we wish you satisfy our service, if you have any further questions or any quality issues, please show the belows number and don't hesitate to contact our Customer Service People:

W688202405