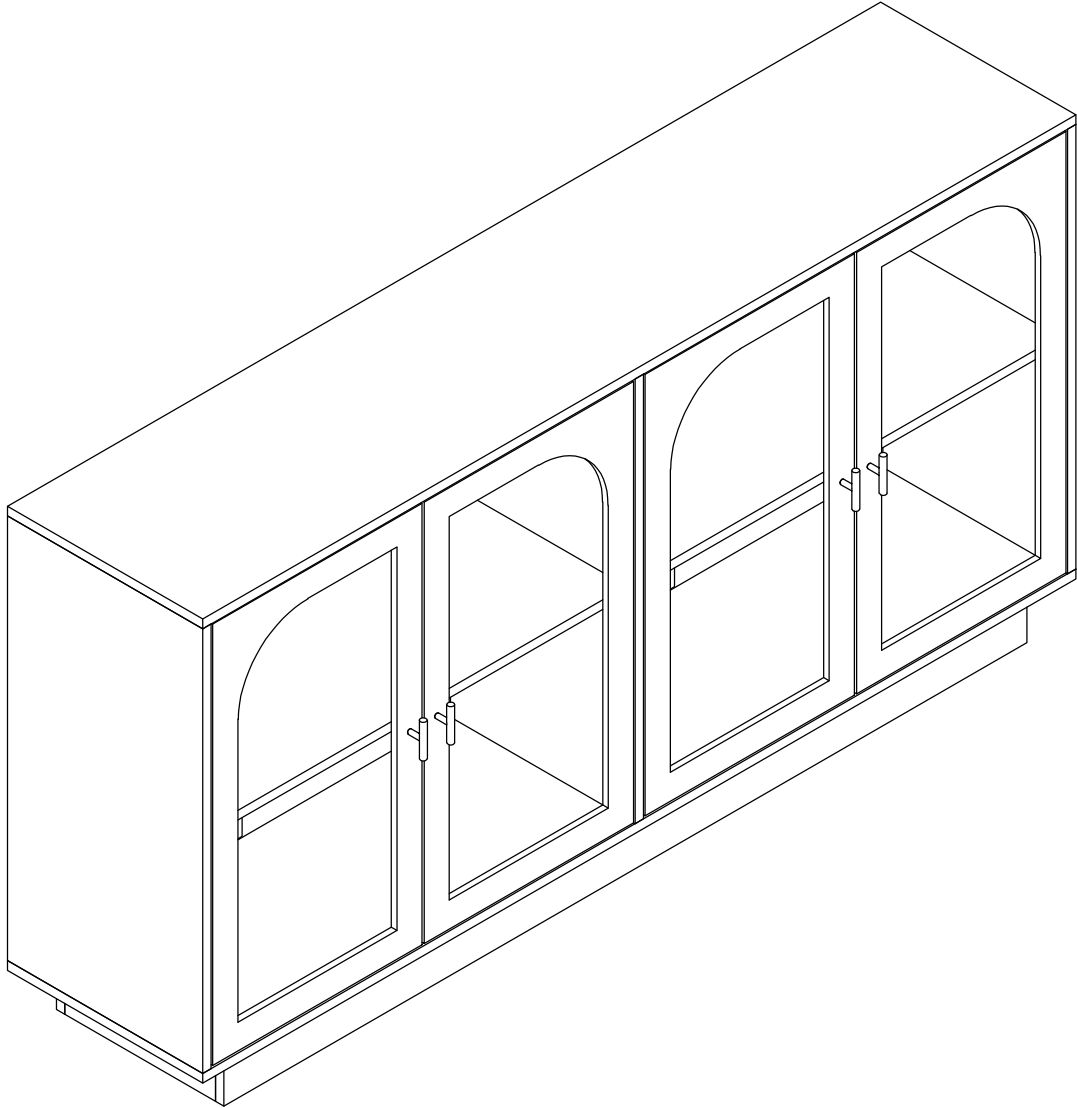


Installation Instruction



Product name

4 Door Cabinet

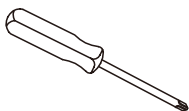
Ver.1.0 20240403

Assembling

What's included

What you need

- Use the packaging carton as a working surface to prevent product damage during assembly
- Phillips head screwdriver



Weight Limitation



60

lbs table top

30

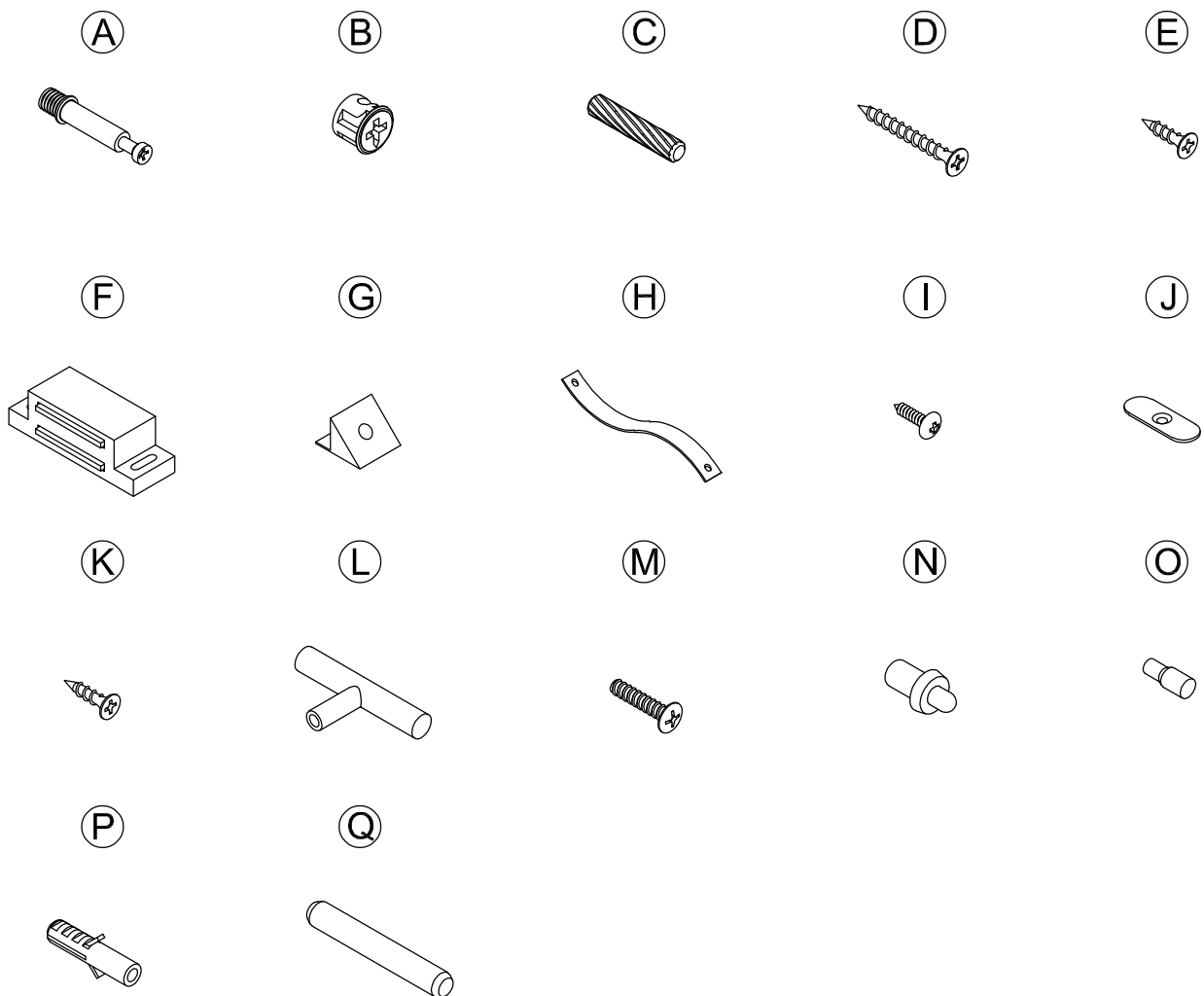
lbs per shelf



2 PERSONS

Code	Description	Qty
A	Cam Bolt M6X35MM	30
B	Cam Lock 15X10MM	30
C	Wooden Dowel M8X30MM	26
D	Screw M4X35MM	12
E	Screw M3X14MM	24
F	Magnetic Door Catcher	4
G	Plastic Corner Support	16
H	Nylon Strap	2
I	Screw M4X14MM	2
J	Metal Plate	8
K	Screw M3X12MM	8
L	Handle	4
M	Bolt M4X18MM	4
N	Metal Pin	8
O	Metal Support	8
P	Anchor M6X30MM	2
Q	Wooden Dowel M8X50MM	1

The Hardwares



IMPORTANT:

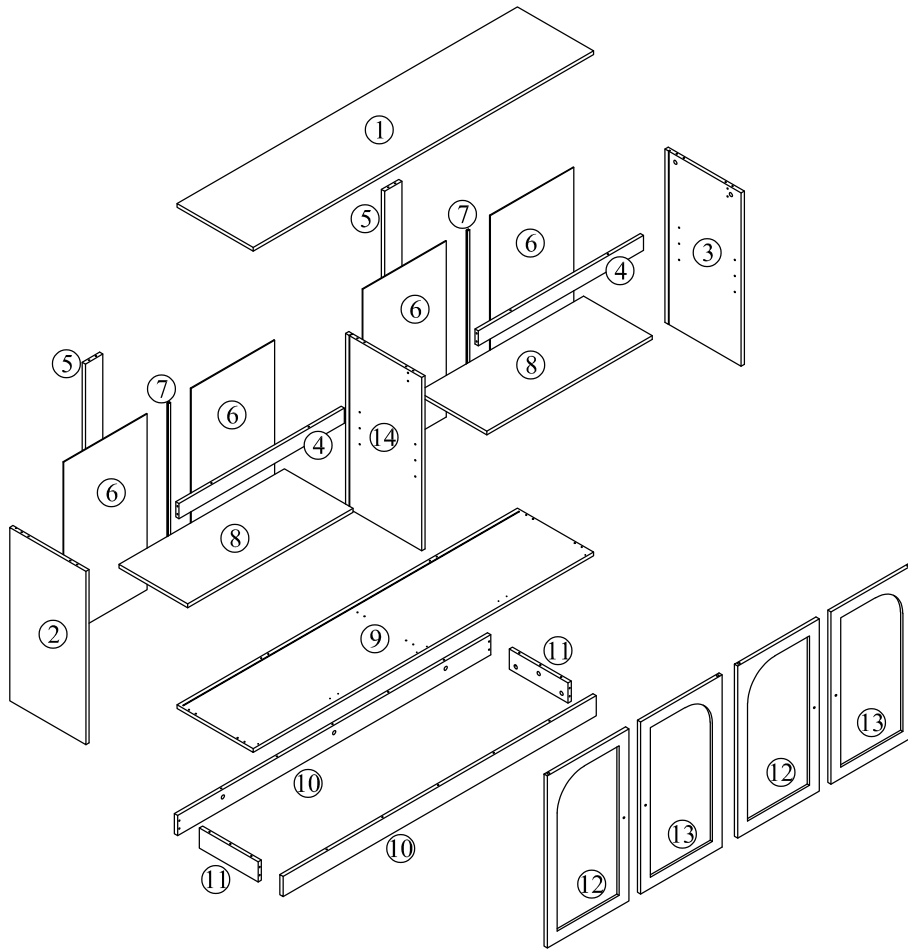
1. Do not tighten bolts / screws completely until all bolts / screws are lined up and inserted into holes.
2. Do not over tighten screws and bolts to avoid stripping.
3. Please use hand tools to assemble this product. Do not use power tools.
4. Must need 2 people to assemble this product.



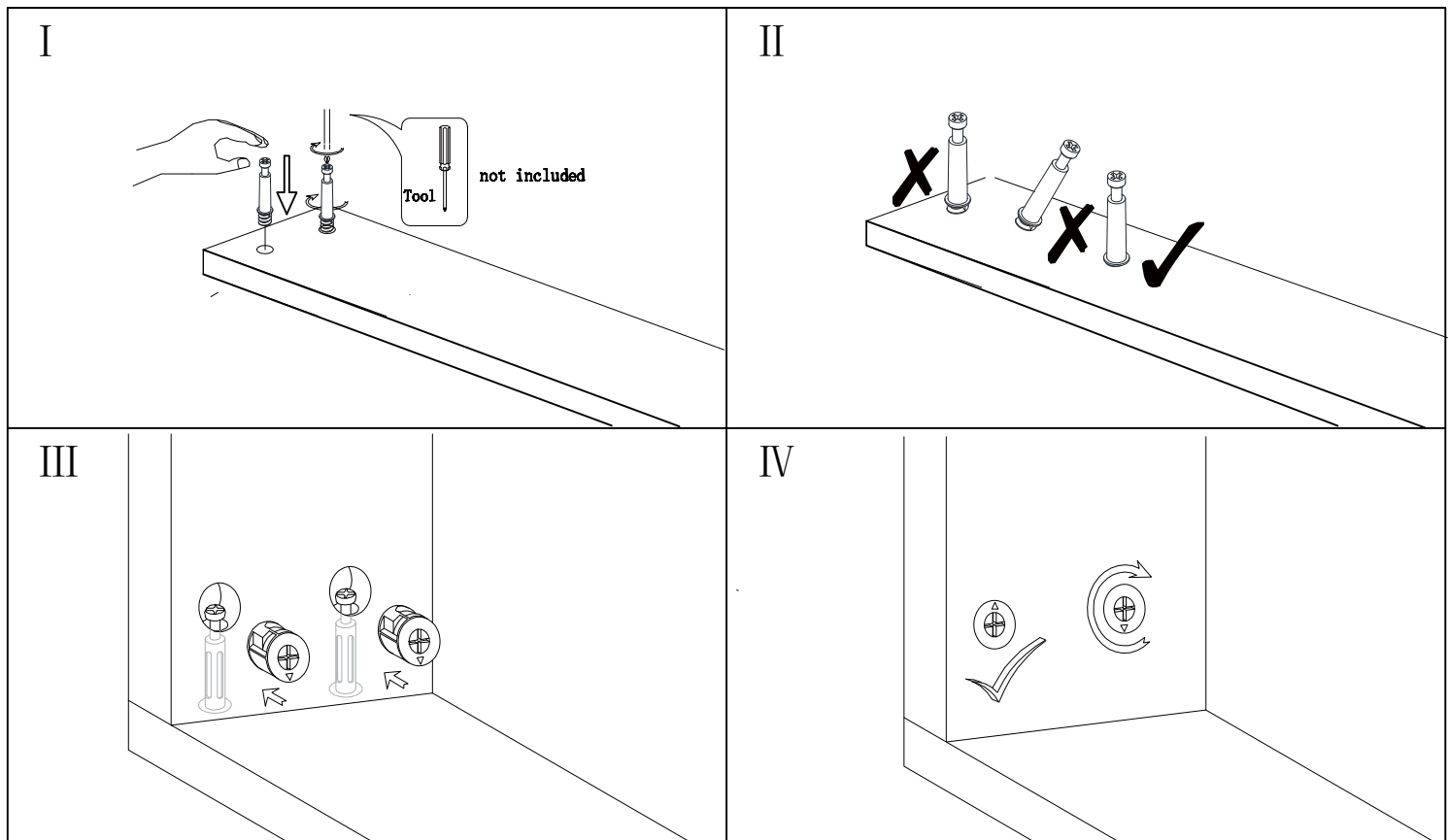
Included Accessories

Code	Description	Qty
1	Cabinet Top	1
2	Left Side Panel	1
3	Right Side Panel	1
4	Top Stretcher	2
5	Vertical Back Stretcher	2
6	Back Panel	4
7	Plastic Strip	2
8	Shelf	2
9	Bottom Panel	1
10	Bottom Front And Back Panel	2
11	Bottom Side Panel	2
12	Door Panel	2
13	Door Panel	2
14	Middle Division Panel	1

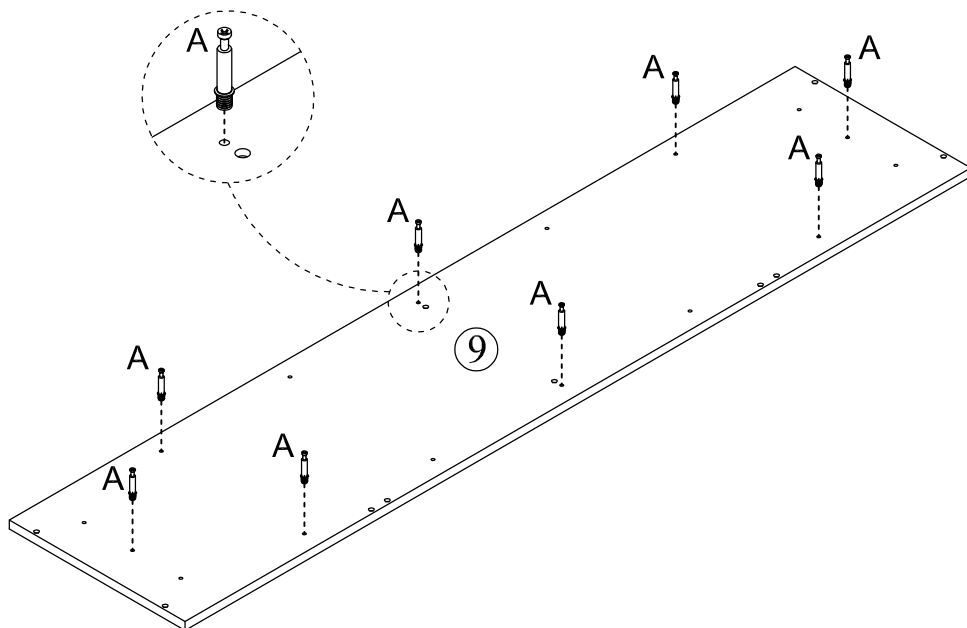
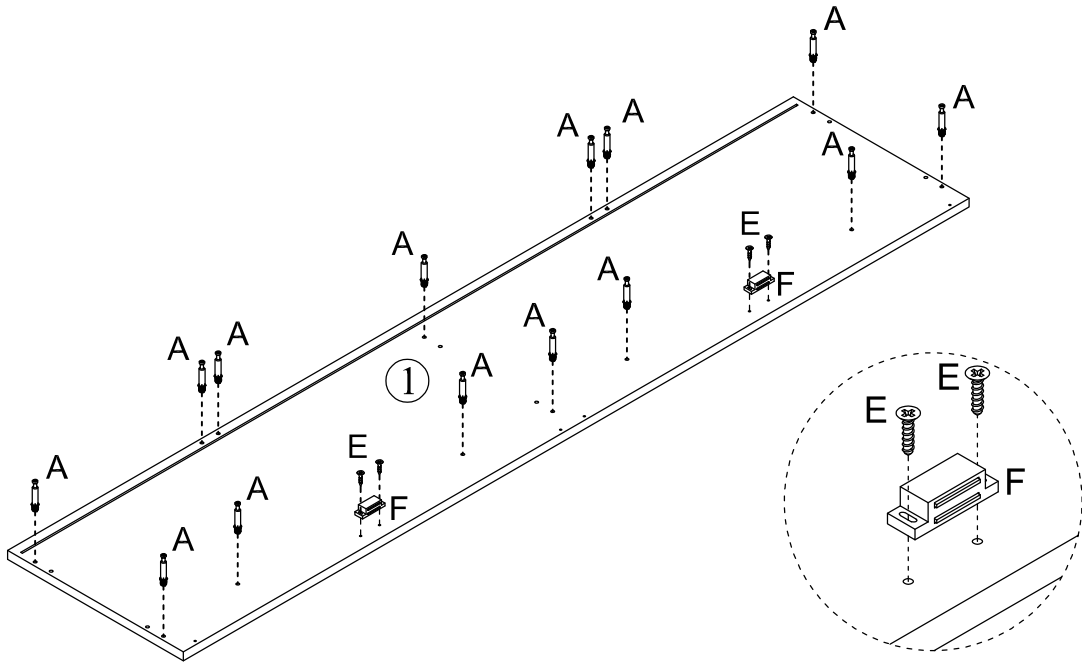
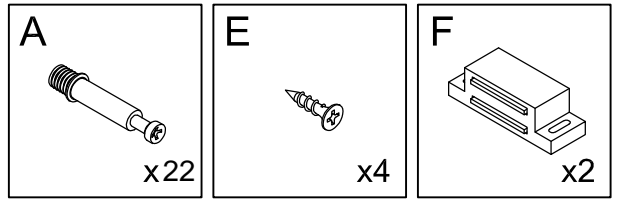
The Accessories



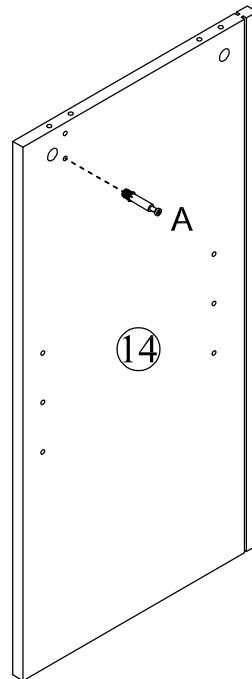
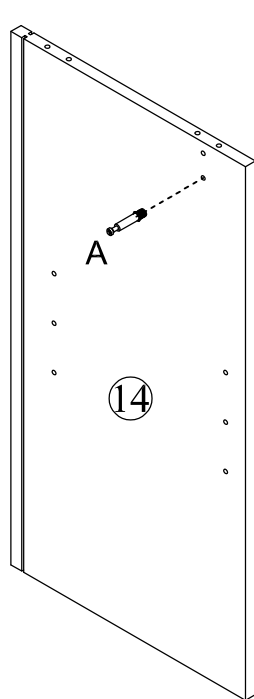
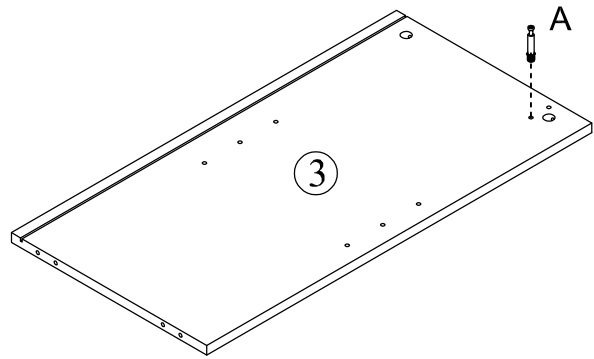
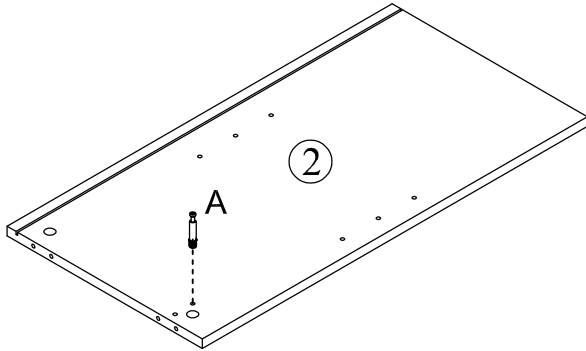
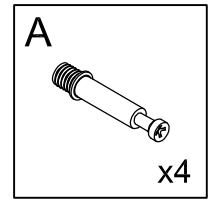
Noted :



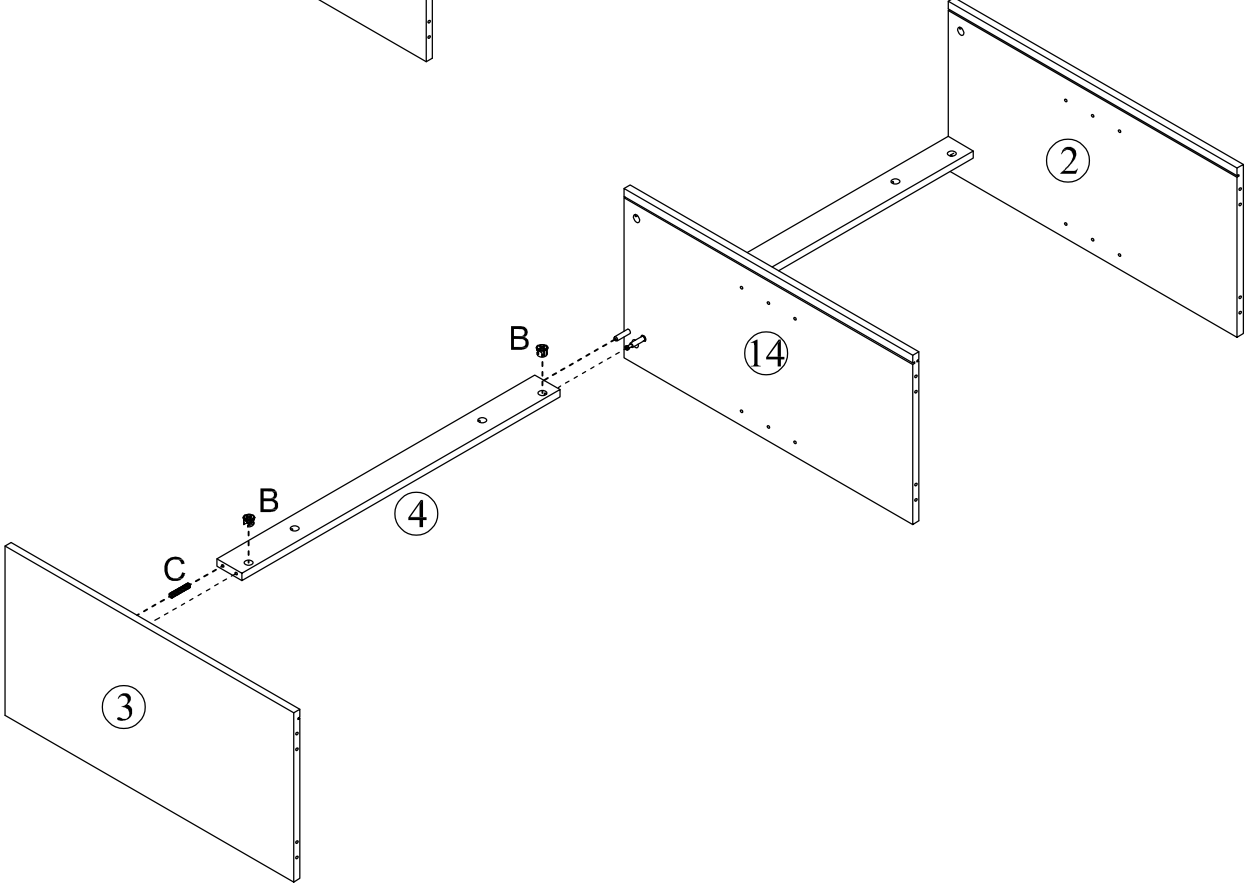
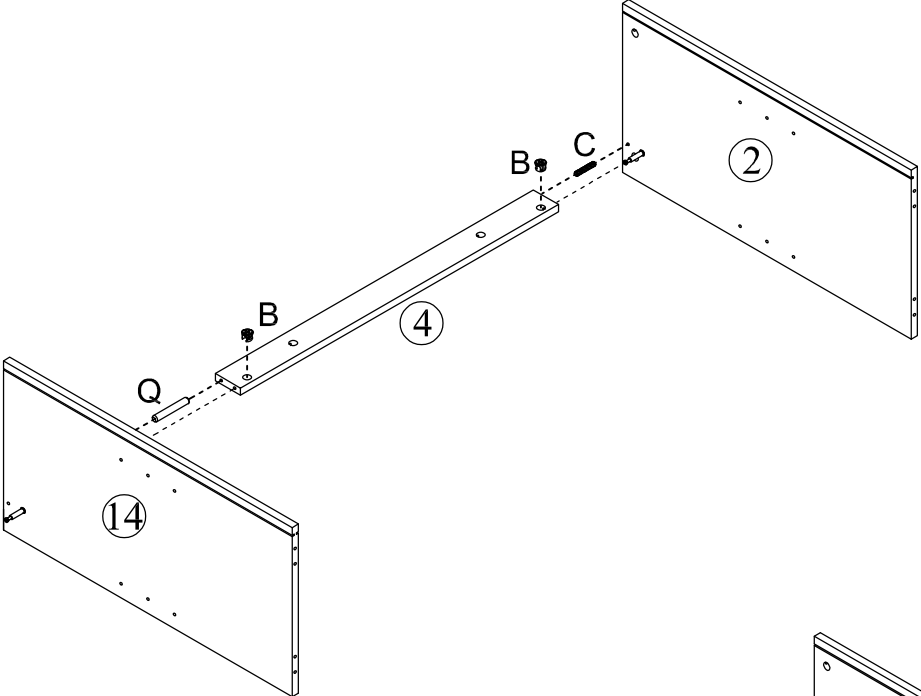
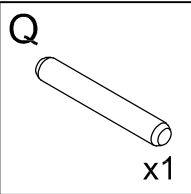
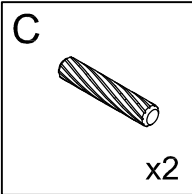
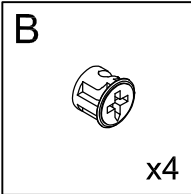
STEP 1



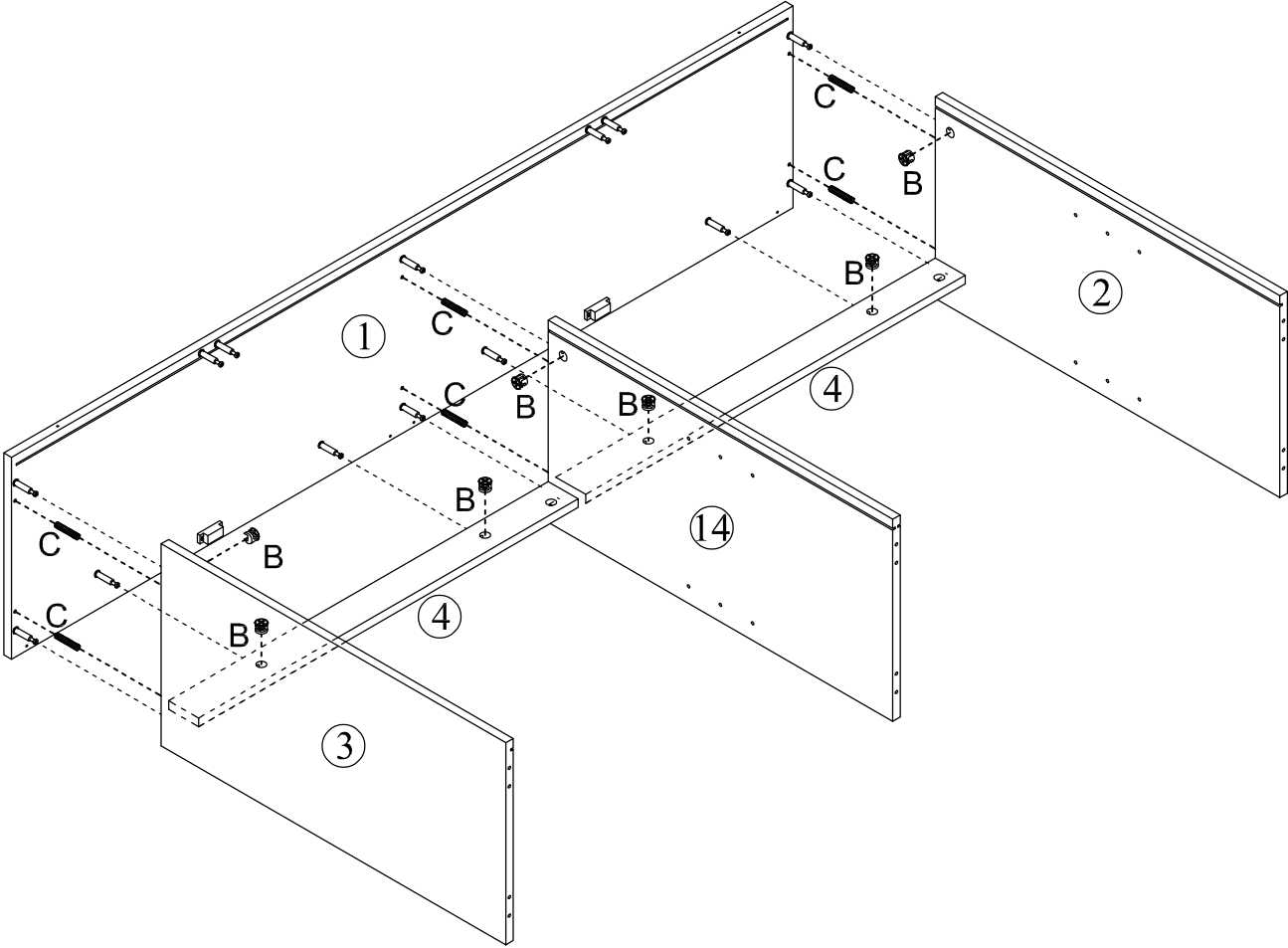
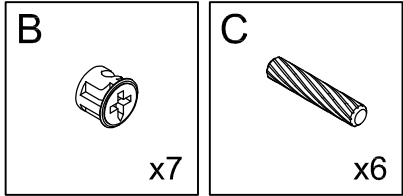
STEP 2



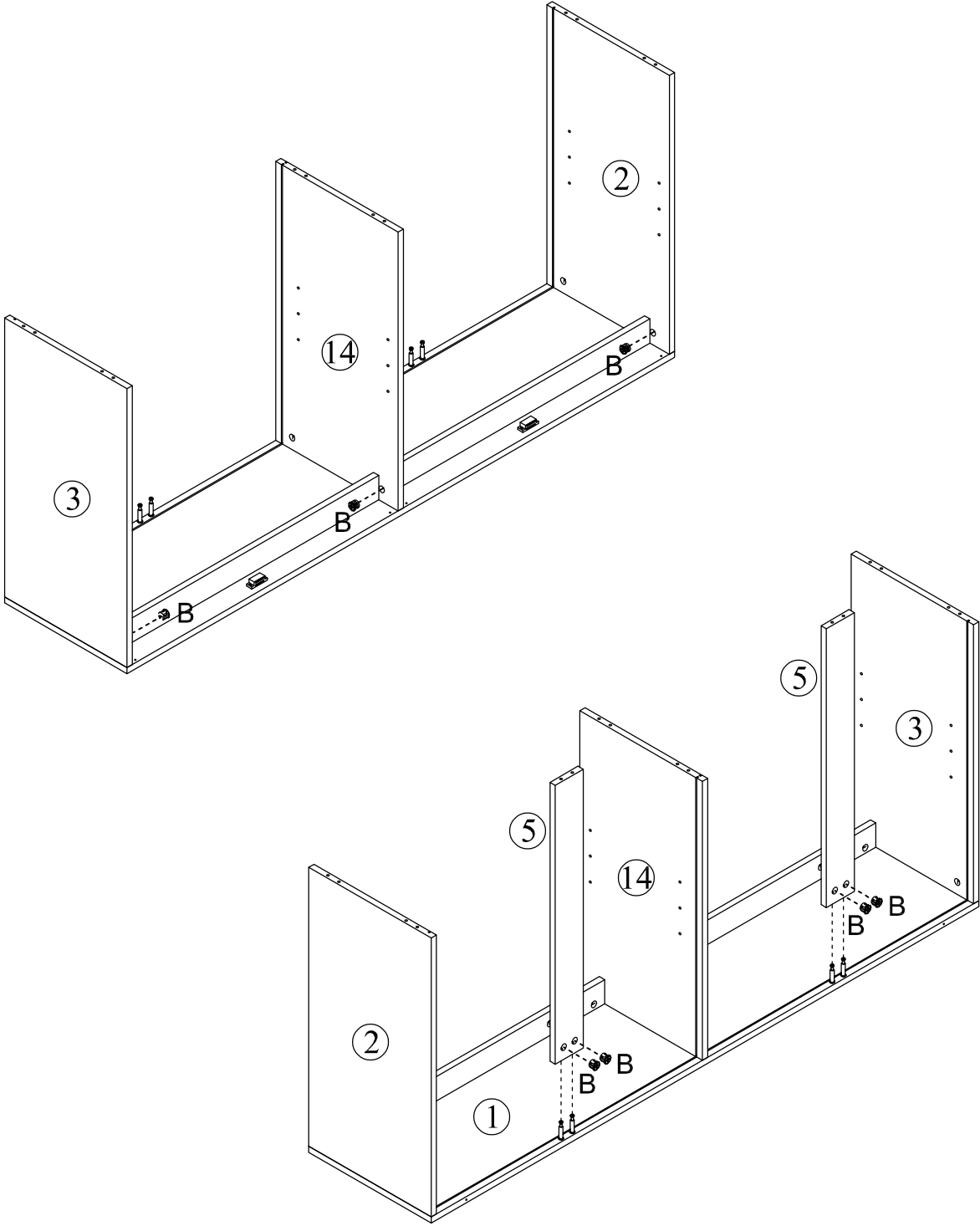
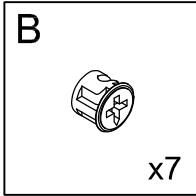
STEP 3



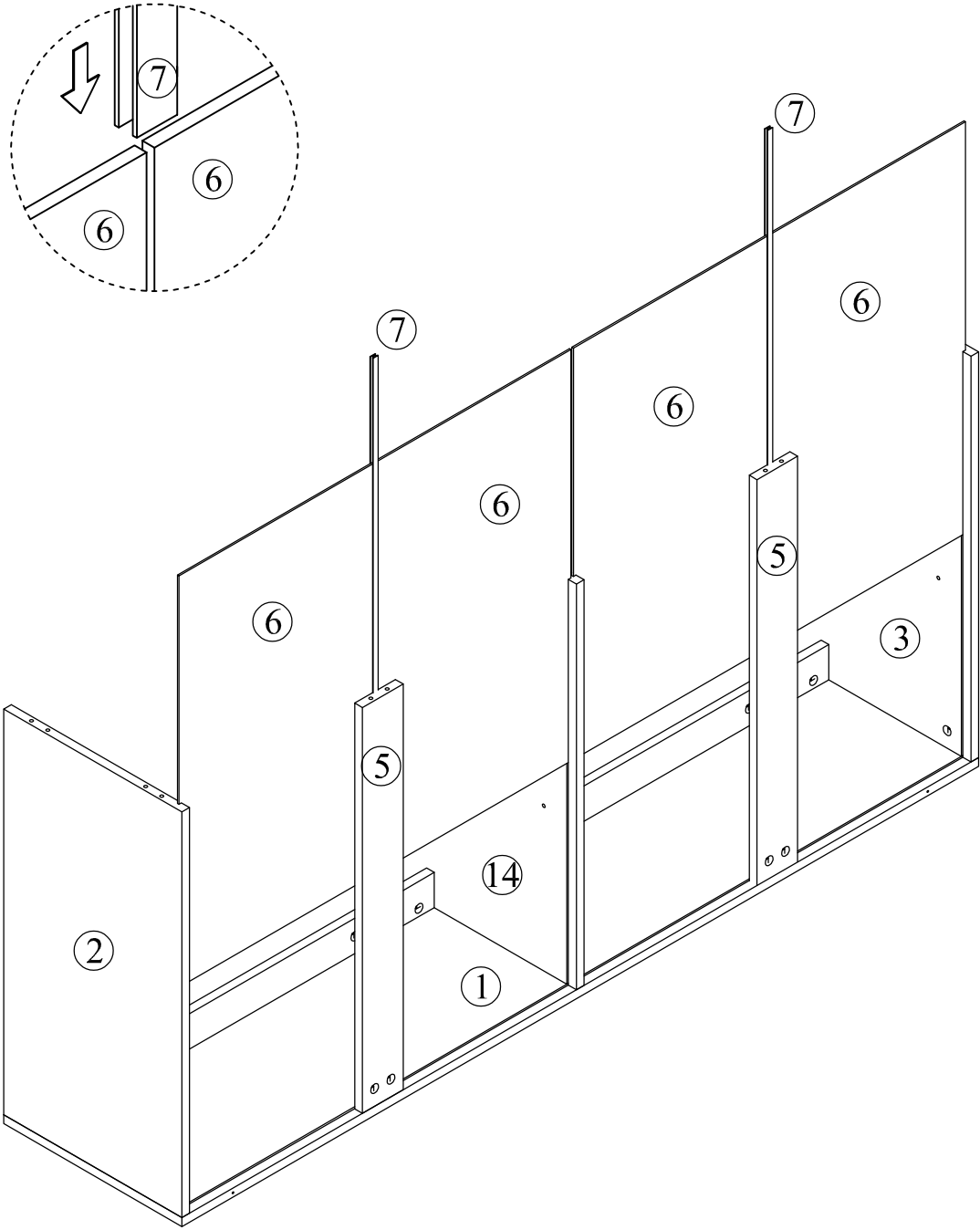
STEP 4



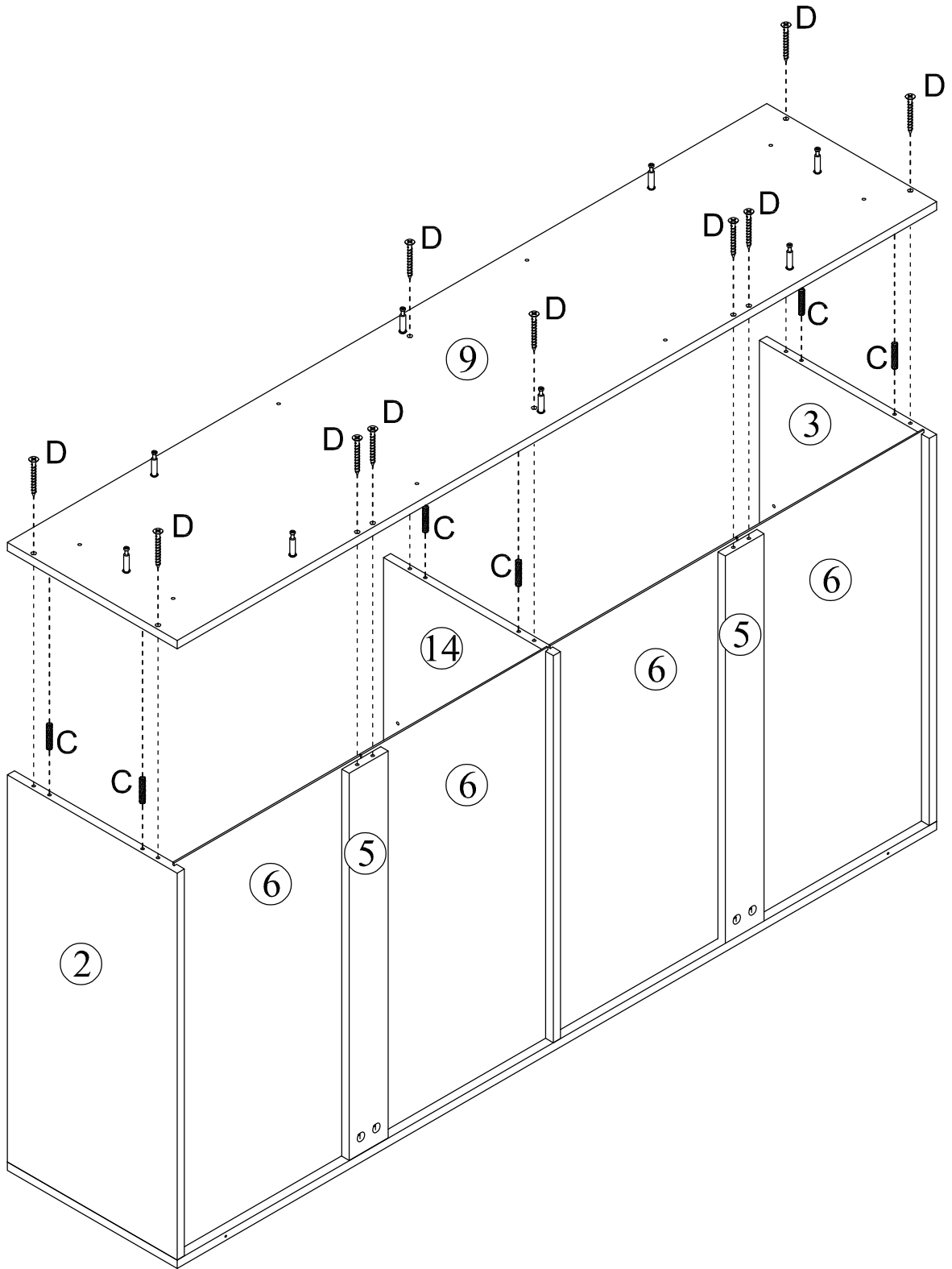
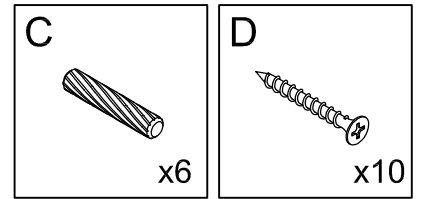
STEP 5



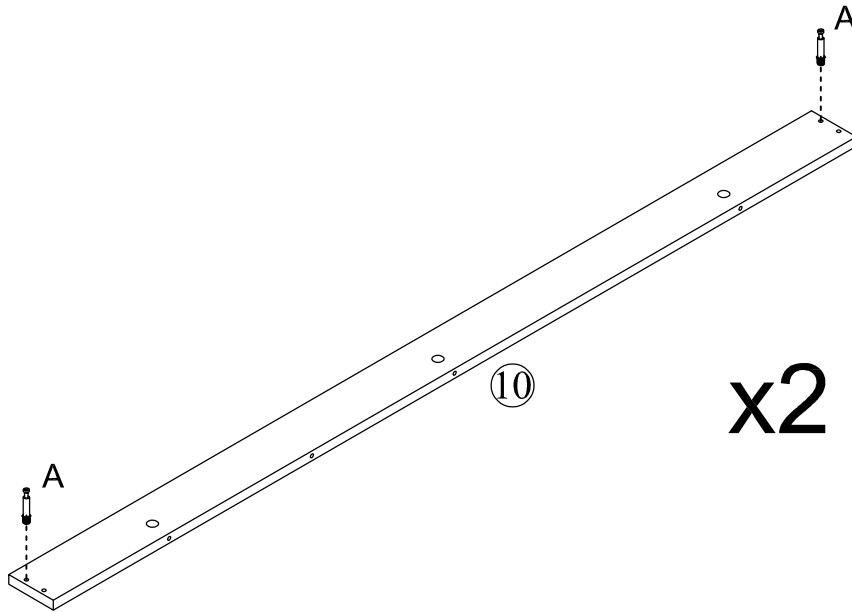
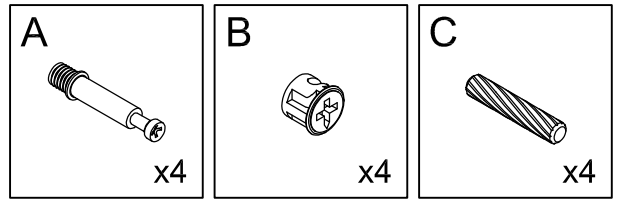
STEP 6



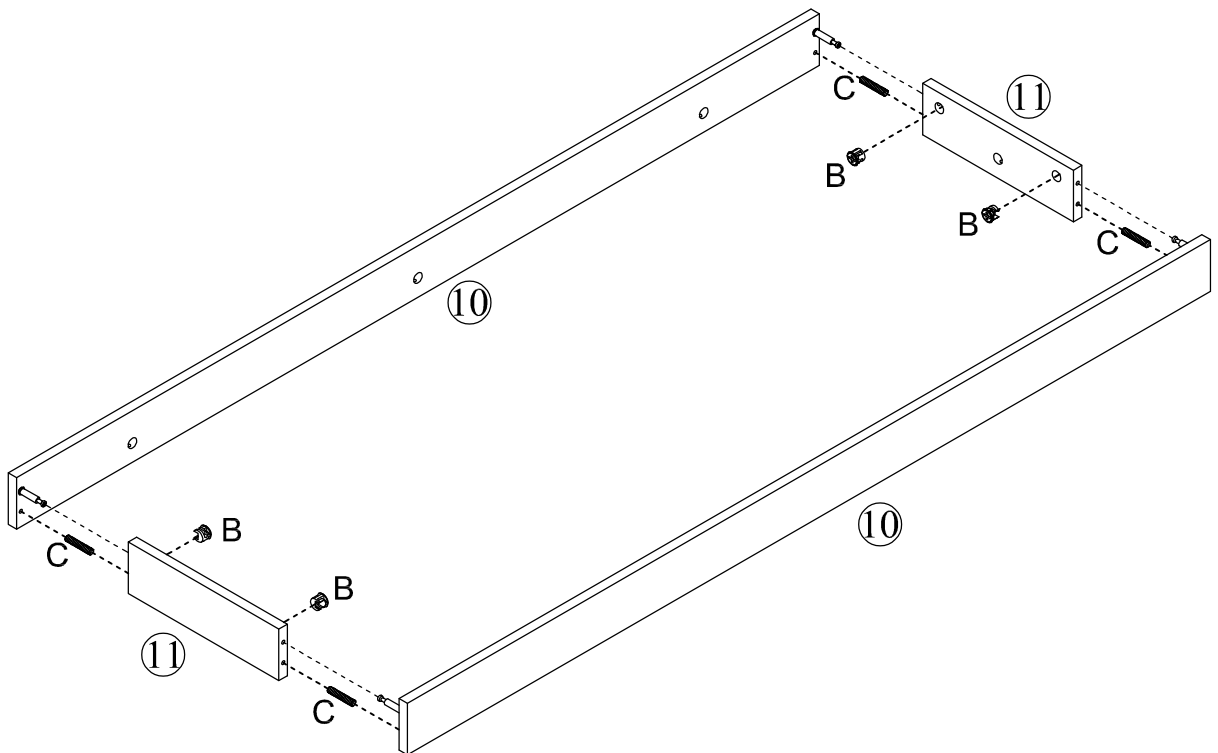
STEP 7



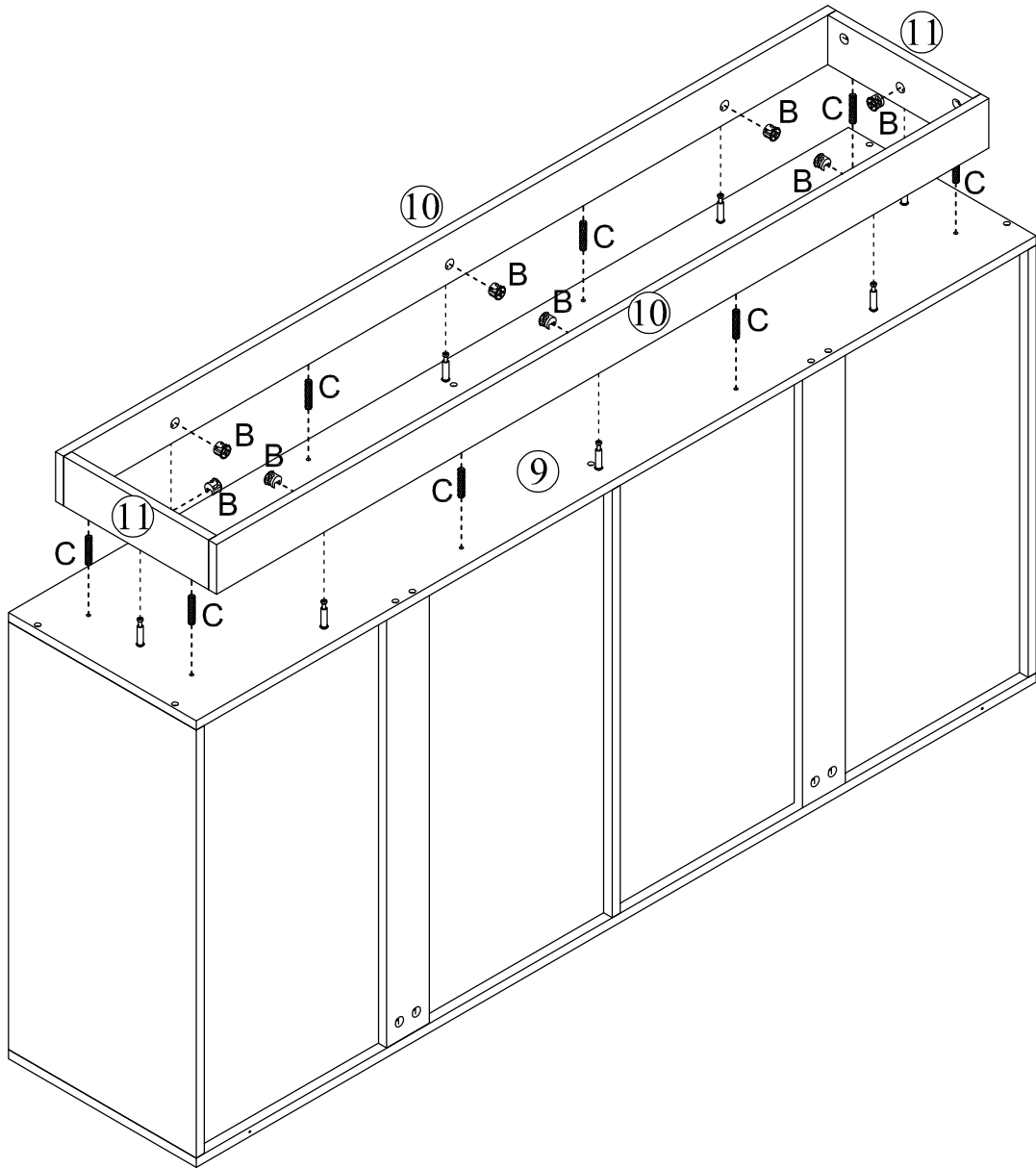
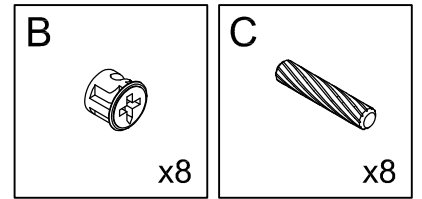
STEP 8



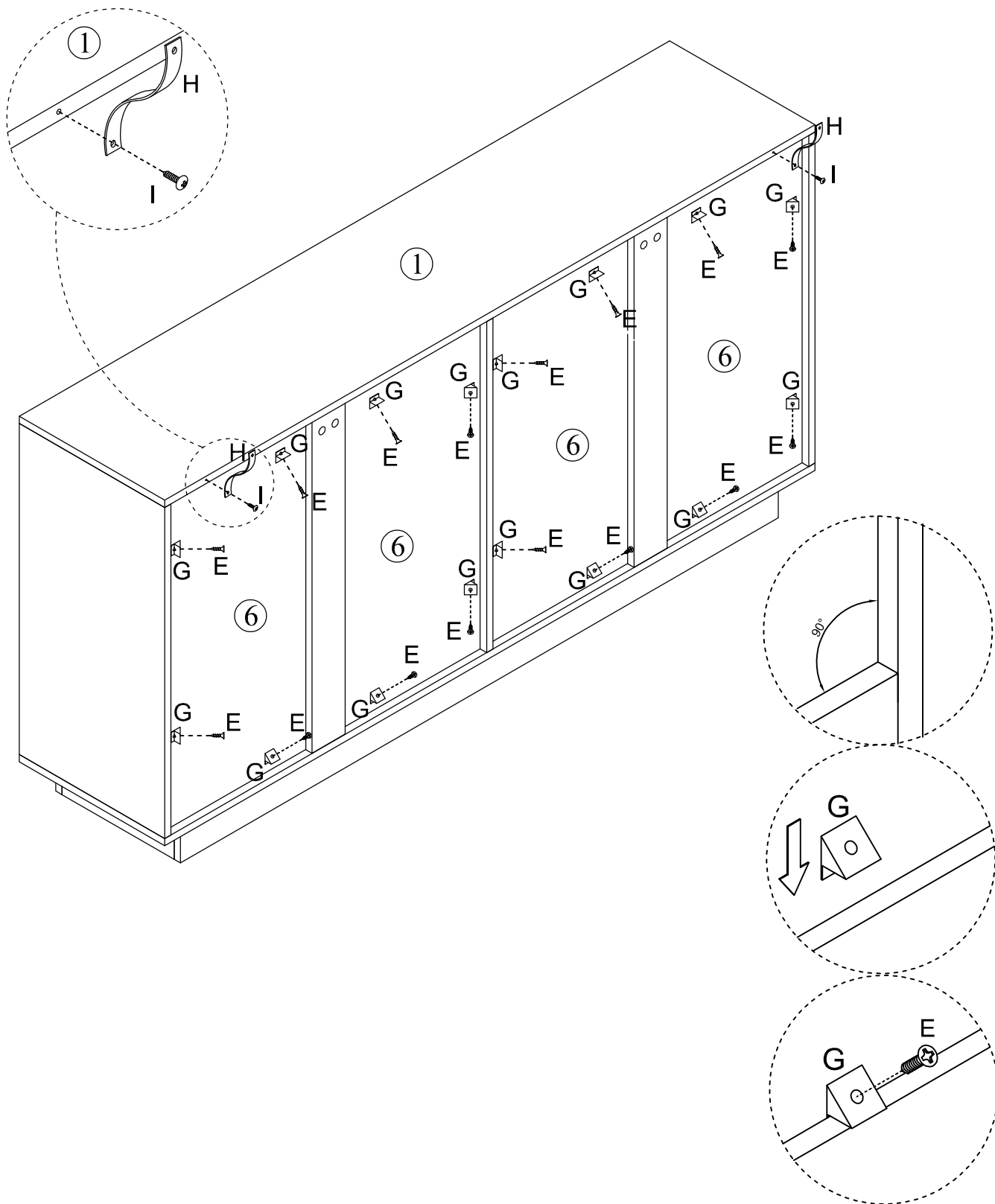
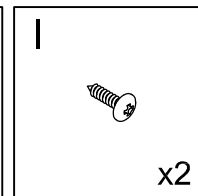
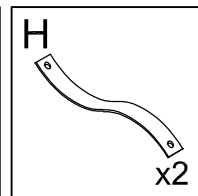
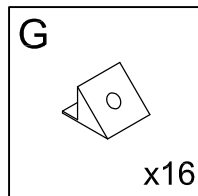
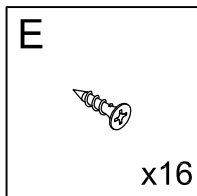
x2



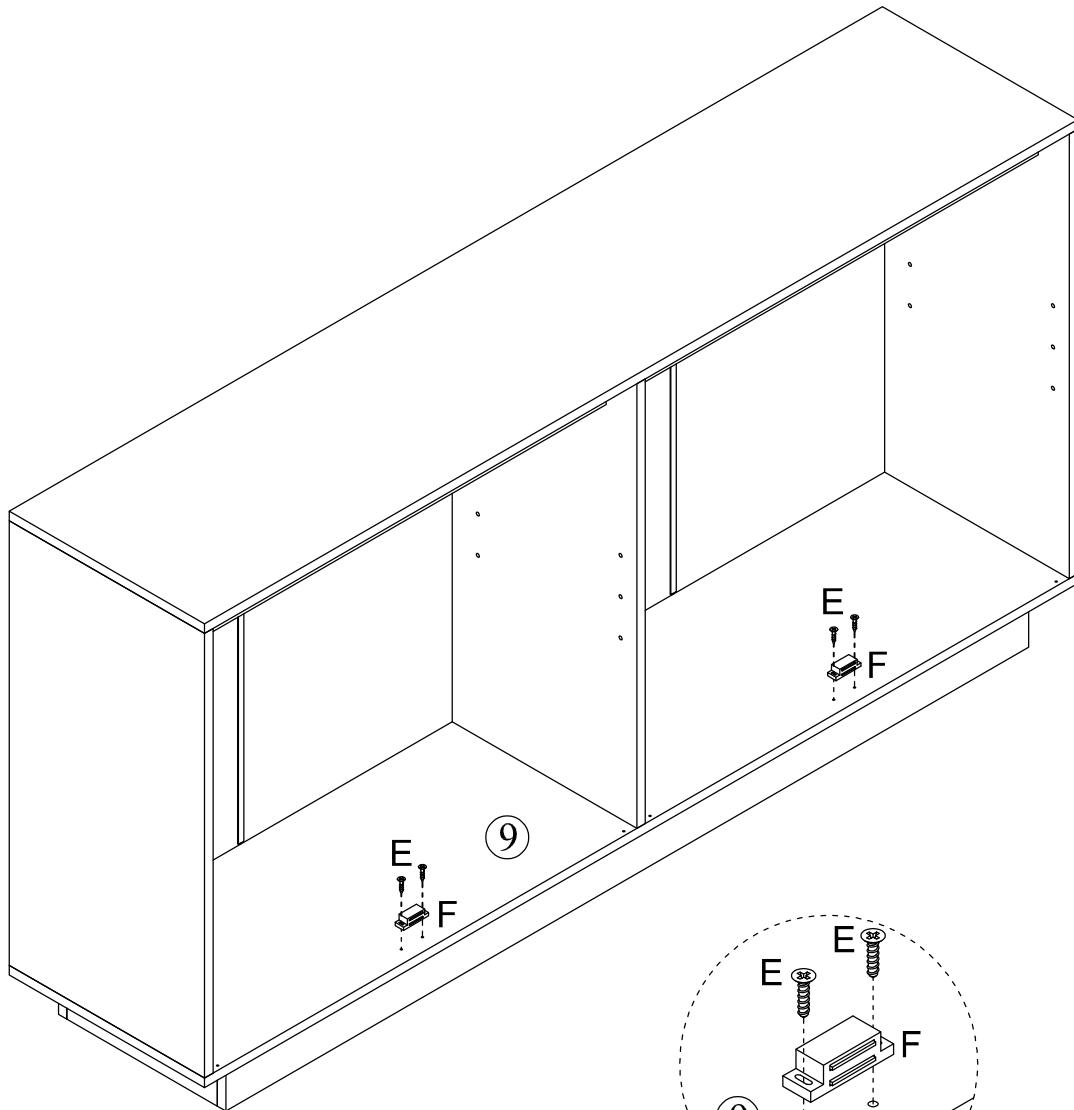
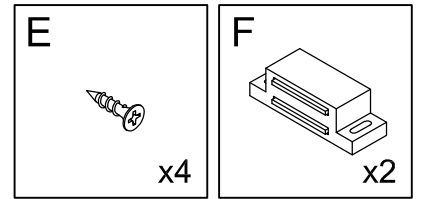
STEP 9



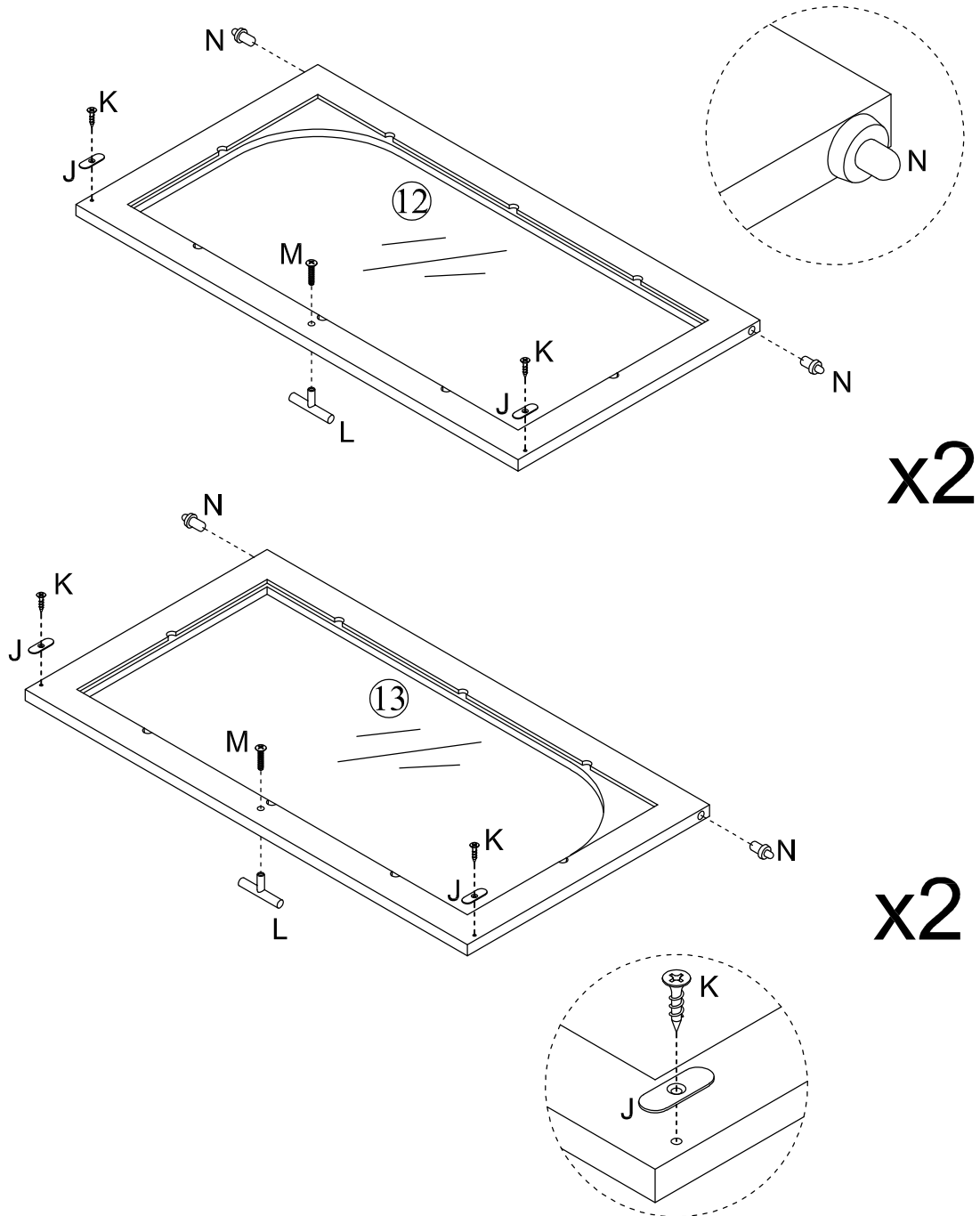
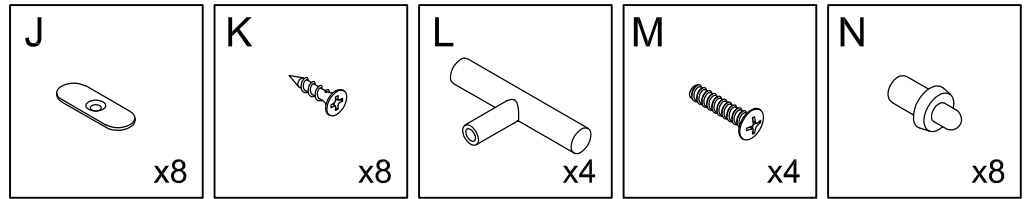
STEP 10



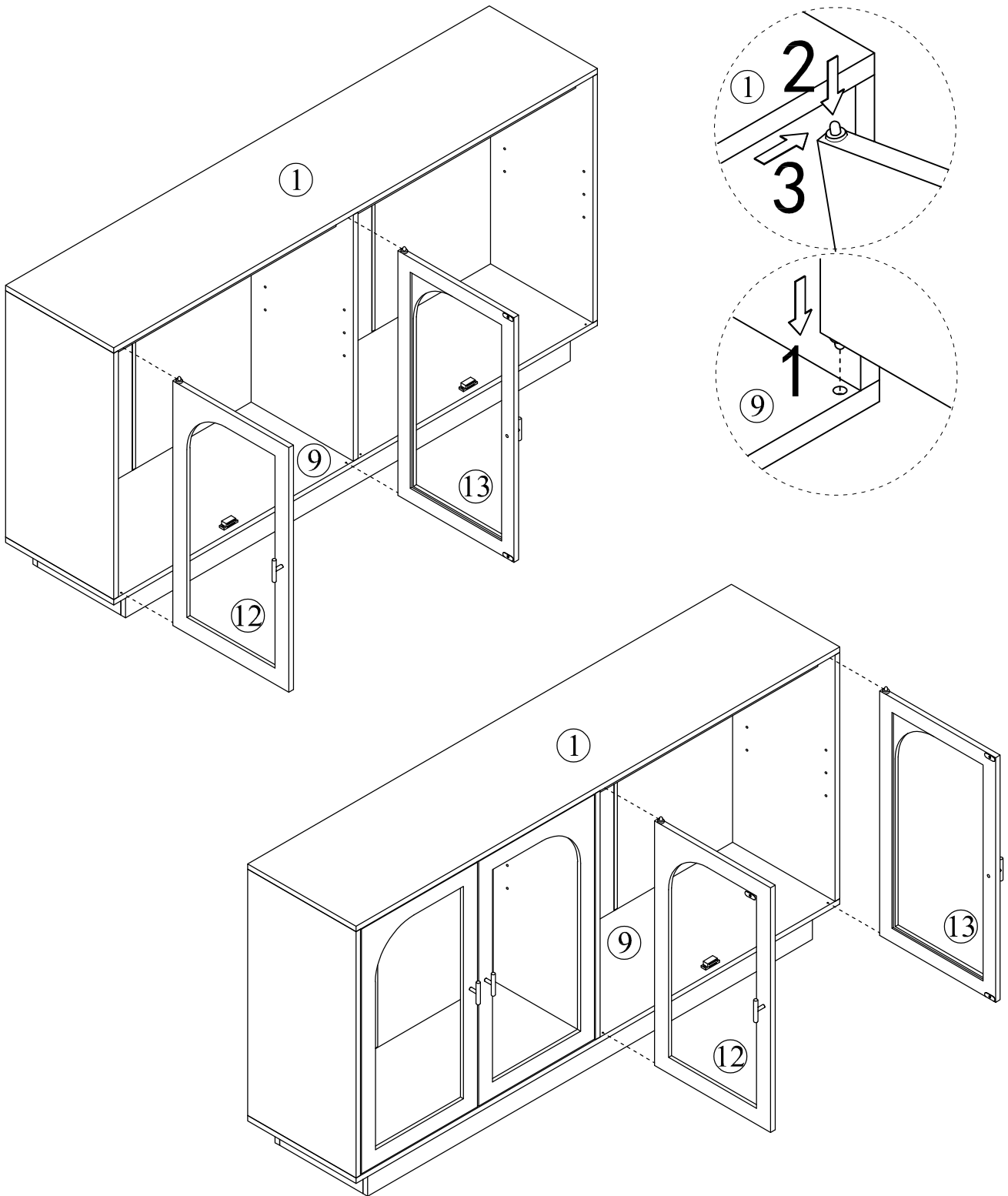
STEP 11



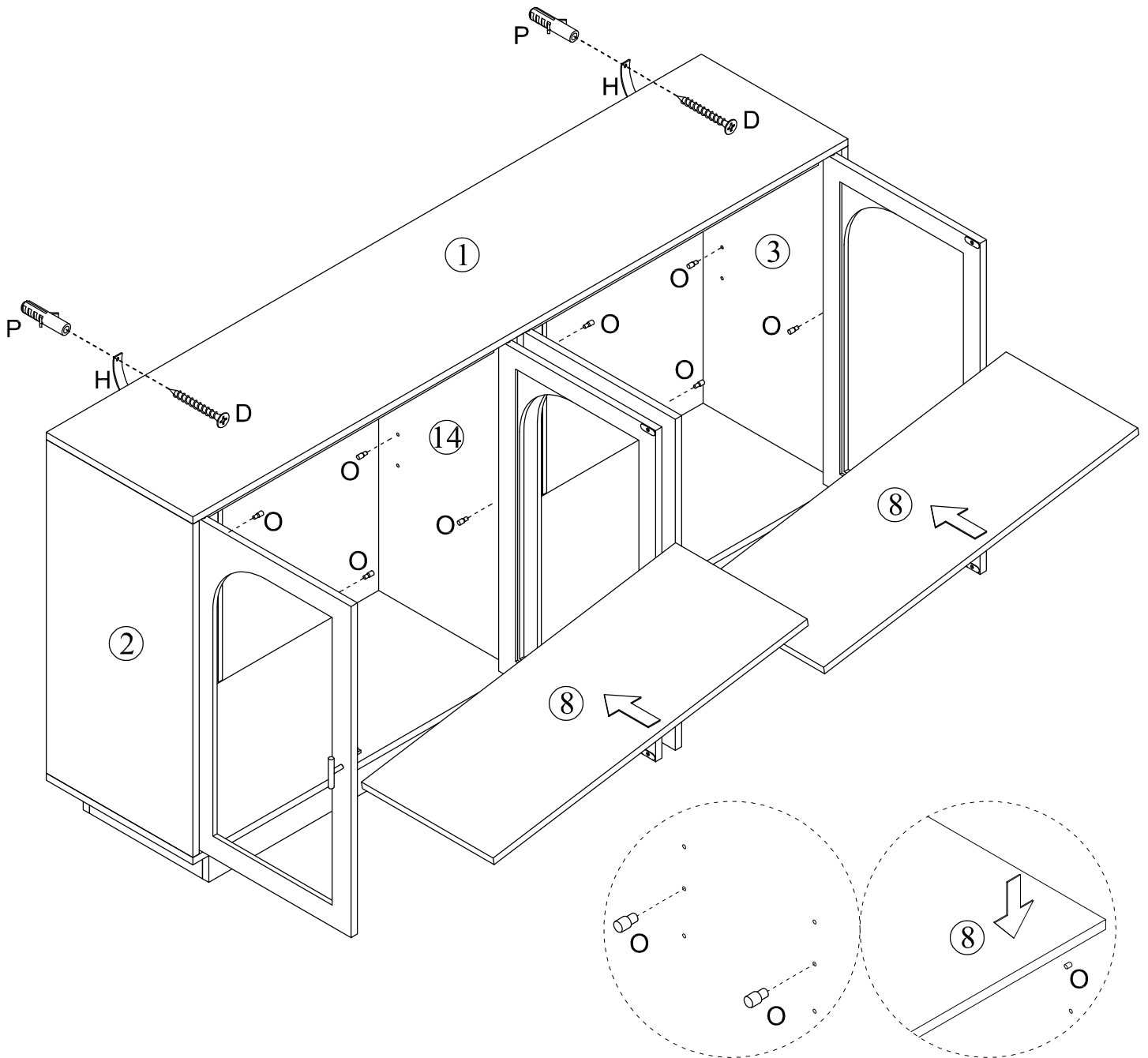
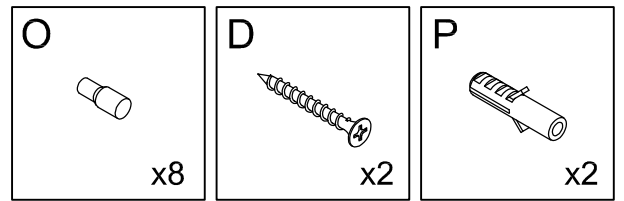
STEP 12



STEP 13



STEP 14



Proper Use

- DO NOT** use for commercial purposes
- DO NOT** use as a step stool or stand on table
- DO NOT** put hot serving liquid directly on the table top
- DO NOT** leave spilled liquid on the table top
- DO NOT** use table if damaged
- DO NOT** exceed weight limit
- DO NOT** make temporary repairs
- DO NOT** use outdoor

Dear Customer:

Thank you for purchasing our product,we wish you satisfy our service,if you have any further questions or any quality issues,please show the belows number and don't hesitate to contact our Customer Service People:

W688202405